

OPERATOR MANUAL

Part Number 121023 - Revision A

OM-HFP

DOMESTIC

MODELS: HFP/2E, HFP/2,

Braising Pans

*Stainless Steel
Manual Tilting
Gas Heated*



Model HFP/2E Shown



THIS MANUAL MUST BE RETAINED FOR FUTURE REFERENCE. READ, UNDERSTAND AND FOLLOW THE INSTRUCTIONS AND WARNINGS CONTAINED IN THIS MANUAL.

WARNING

DO NOT STORE OR USE GASOLINE OR OTHER FLAMMABLE VAPORS AND LIQUIDS IN THE VICINITY OF THIS OR ANY OTHER APPLIANCE.

POST IN A PROMINENT LOCATION

INSTRUCTIONS TO BE FOLLOWED IN THE EVENT USER SMELLS GAS. THIS INFORMATION SHALL BE OBTAINED BY CONSULTING YOUR LOCAL GAS SUPPLIER. AS A MINIMUM, TURN OFF THE GAS AND CALL YOUR GAS COMPANY AND YOUR AUTHORIZED SERVICE AGENT. EVACUATE ALL PERSONNEL FROM THE AREA.

WARNING

IMPROPER INSTALLATION, ADJUSTMENT, ALTERATION, SERVICE OR MAINTENANCE CAN CAUSE PROPERTY DAMAGE, INJURY OR DEATH. READ THE INSTALLATION, OPERATING AND MAINTENANCE INSTRUCTIONS THOROUGHLY BEFORE INSTALLING OR SERVICING THIS EQUIPMENT.



Information contained in this document is known to be current and accurate at the time of printing/creation. Unified Brands recommends referencing our product line websites, unifiedbrands.net, for the most updated product information and specifications.



IMPORTANT — READ FIRST — IMPORTANT

CAUTION: SHIPPING STRAPS ARE UNDER TENSION AND CAN SNAP BACK WHEN CUT.

CAUTION: UNIT WEIGHS 370 TO 560 LB. (165 TO 255 KG). FOR SAFE HANDLING, INSTALLER SHOULD OBTAIN HELP AS NEEDED, OR EMPLOY APPROPRIATE MATERIALS HANDLING EQUIPMENT (SUCH AS A FORKLIFT, DOLLY, OR PALLET JACK) TO REMOVE THE UNIT FROM THE SKID AND MOVE IT TO THE PLACE OF INSTALLATION.

WARNING: INSTALLATION OF THE BRAISING PAN MUST BE DONE BY PERSONNEL QUALIFIED TO WORK WITH GAS AND ELECTRICITY. IMPROPER INSTALLATION CAN RESULT IN INJURY TO PERSONNEL AND/OR DAMAGE TO EQUIPMENT.

WARNING: THIS UNIT IS DESIGNED FOR COMMERCIAL USE. NEVER USE HOME OR RESIDENTIAL GRADE GAS CONNECTIONS. THEY DO NOT MEET GAS CODES AND COULD BE HAZARDOUS.

DANGER: ELECTRICALLY GROUND THE UNIT AT THE TERMINAL PROVIDED. FAILURE TO GROUND UNIT COULD RESULT IN ELECTROCUTION AND DEATH.

WARNING: KEEP THE APPLIANCE AREA FREE AND CLEAR OF COMBUSTIBLE MATERIALS.

CAUTION: BE SURE ALL OPERATORS READ, UNDERSTAND AND FOLLOW THE OPERATING INSTRUCTIONS, CAUTIONS AND SAFETY INSTRUCTIONS CONTAINED IN THIS MANUAL.

CAUTION: KEEP FLOORS IN BRAISING PAN WORK AREA CLEAN AND DRY. IF SPILLS OCCUR, CLEAN IMMEDIATELY TO AVOID THE DANGER OF SLIPS OR FALLS.

WARNING: WHEN TILTING BRAISING PAN FOR PRODUCT TRANSFER:

- 1) USE CONTAINER DEEP ENOUGH TO CONTAIN AND MINIMIZE PRODUCT SPLASHING.
- 2) PLACE CONTAINER ON STABLE, FLAT SURFACE, AS CLOSE TO PAN AS POSSIBLE.
- 3) STAND TO SIDE OF PAN WHILE POURING — NOT DIRECTLY IN POUR PATH OF HOT CONTENTS.
- 4) RETURN PAN BODY TO LEVEL POSITION AFTER CONTAINER IS FILLED OR TRANSFER IS COMPLETE.
- 5) DO NOT OVER FILL CONTAINER. AVOID DIRECT SKIN CONTACT WITH HOT CONTAINER AND ITS CONTENTS.

WARNING: DO NOT HEAT EMPTY PAN FOR MORE THAN 5 MINUTES AT A SETTING HIGHER THAN 300°F.

WARNING: IF THE PAN CONTAINS ITEMS IN SAUCE OR MELTED FAT, THEY CAN SLIDE FORWARD SUDDENLY DURING TILTING AND CAUSE THE HOT LIQUID TO SPLASH OUT.

WARNING: AVOID ALL DIRECT CONTACT WITH HOT FOOD OR WATER IN THE PAN. DIRECT CONTACT COULD RESULT IN SEVERE BURNS.

WARNING: KEEP WATER AND SOLUTIONS OUT OF CONTROLS AND BURNERS. NEVER SPRAY OR HOSE THE CONTROL CONSOLE, OR ELECTRICAL CONNECTIONS.

CAUTION: MOST CLEANERS ARE HARMFUL TO THE SKIN, EYES, MUCOUS MEMBRANES AND CLOTHING. PRECAUTIONS SHOULD BE TAKEN TO WEAR RUBBER GLOVES, GOGGLES OR FACE SHIELD AND PROTECTIVE CLOTHING. CAREFULLY READ THE WARNINGS AND FOLLOW THE DIRECTIONS ON THE LABEL OF THE CLEANER TO BE USED.

WARNING: THE CONTROL BOX IS NOT WATERPROOF. TAKE CARE TO KEEP WATER AND CLEANING SOLUTIONS OUT OF THE BOX. NEVER HOSE OR SPRAY ELECTRICAL CONTROLS, CONNECTIONS OR CONTROL CONSOLE.

WARNING: BEFORE REPLACING ANY PARTS, DISCONNECT THE UNIT FROM THE ELECTRIC POWER SUPPLY AND CLOSE THE MAIN GAS COCK. ALLOW FIVE MINUTES FOR UNBURNED GAS TO VENT.

CAUTION: USE OF ANY REPLACEMENT PARTS OTHER THAN THOSE SUPPLIED BY GROEN OR AUTHORIZED DISTRIBUTORS CAN CAUSE INJURY TO THE OPERATOR AND DAMAGE TO THE EQUIPMENT AND WILL VOID ALL WARRANTIES.

IMPORTANT: Service performed by other than factory authorized personnel will void all warranties.

Table of Contents

IMPORTANT OPERATOR WARNINGS (READ FIRST) 2

REFERENCES 3

EQUIPMENT DESCRIPTION 4

INSPECTION AND UNPACKING 5

INSTALLATION 6

INITIAL START-UP 7

OPERATION 7

SEQUENCE OF OPERATION 9

CLEANING 10

MAINTENANCE 11

TROUBLESHOOTING 12

PARTS LIST 15

DIAGRAMS & SCHEMATICS 24

MAINTENANCE LOG 26

WARRANTY 27

References

American Gas Association Laboratories
 8501 East Pleasant Valley Rd.
 Cleveland, Ohio 44131

Z223.1-1984 National Fuel Gas Code

American National Standards Institute
 1403 Broadway
 New York, New York 10018

Canadian Gas Association
 55 Scarsdale Road
 Don Mills, Ontario M3B 2 R3

ECOLAB, INC.
 370 Wabasha
 St. Paul, Minnesota 55102

National Fire Protection Association
 60 Battery March Park
 Quincy, Massachusetts 02269

NFPA/54 Installation of Gas Appliances & Gas Piping
NFPA/70 The National Electrical Code
NFPA/96 Ventilating Hoods

National Sanitation Foundation
 3475 Plymouth Road
 Ann Arbor, Michigan 48106

Underwriters Laboratories, Inc.
 333 Pfingsten Road
 Northbrook, Illinois 60062

ZEP Manufacturing
 1390 Lunt Avenue
 Elk Grove Village, Illinois 60007

OM-HFP

Equipment Description

Groen Gas Heated Braising Pans provide a stainless steel pan equipped with patented heat transfer fins, burner/combustion chamber, hand-operated tilting mechanism, thermostatic controls, and hinged cover. The Braising Pan serves as braising unit, griddle, fry pan, oven, kettle, bain-marie, or food warmer and server, and it can be adapted for use as a steamer.

The pan body is made from heavy-duty stainless steel welded into one solid piece, with a polished interior and exterior. A pouring lip is welded to the front wall. The cooking surface is a stainless steel clad plate fitted with welded heat transfer fins which assure uniform heat transfer over the entire surface. The gas burner/combustion chamber supplies the heat.

An easily operated worm and gear mechanism tilts the pan and provides precise control for pouring or dumping the contents of the pan. This hand-wheel controlled mechanism is located in a stainless steel console to the right of the pan body. To assist cleaning, the pan body can be tilted past the vertical position. When the pan is tilted, the burners shut off automatically.

The thermostat provides automatic control of cooking temperature. Operating the thermostat dial on the front of the control console turns the heat on or off and sets the pan temperature.

A vented, heavy gauge, one-piece, stainless steel cover with a condensate drip shield on the rear edge is standard on the Braising Pan. A fully enclosed, spring type actuator counter-balances the cover to keep it in either the opened or closed position. The cover opens to the back and is hinged to the frame, so it moves independently of the pan body.

Models HFP/2E, and HFP/2 are mounted on an open-leg frame fabricated from tubular stainless steel.

Model HFP/2E has an ignition system that uses electronic spark ignition. Optional model HFP/2 has a standing-flame pilot light that ignites the main burner.

Model	Pan Dimensions		Ignition
	L to R	Depth	
HFP/2E-2	24e" (62.5cm)	9" (23cm)	Spark
HFP/2-2	24e" (62.5 cm)	9" (23cm)	Flame
HFP/2E-3	31e" (80 cm)	9" (23cm)	Spark
HFP/2-3	31e" (80 cm)	9" (23cm)	Flame
HFP/2E-4	41e" (1.06m)	9" (23cm)	Spark
HFP/2-4	41e" (1.06m)	9" (23cm)	Flame

Options available with these models are:

1. Fill faucet with swing spout. (Left or right mounted)
2. Caster mounting kit.
3. Fold-down work tray (pan support) mounted on left or right side.
4. 2" Tangent draw-off (Factory-installed option)
5. Model REJ Steamer Insert set.
6. Steamer Pan Carrier.
7. Quick gas disconnect with restraining cable.



Optional Tangent Draw-Off

Performance Data

MODELS	FIRING RATE
HFP/2-2, HFP/2E-2	80,000 BTU/hr
HFP/2-3, HFP/2E-3	104,000 BTU/hr
HFP/2-4, HFP/2E-4	144,000 BTU/hr

Inspection and Unpacking

The unit will arrive completely assembled, wrapped in protective plastic on a heavy skid, in a heavy cardboard carton. Immediately upon receipt, inspect the carton for damage. Report any apparent shipping damage or an incorrect shipment to the delivery agent.

When installation is to begin, get someone to assist in removing the carton. Lift it straight up and away from the unit. **Do not simply raise it and push backwards - you will break the cover assembly vent handle.** Write down the model number, serial number, and installation date of your unit, and keep this information for future reference. Space for these entries is provided at the top of the Service Log in this manual.

Cut the straps holding the unit on the skid, and lift the unit straight up off the skid.

CAUTION
SHIPPING STRAPS ARE UNDER TENSION AND CAN SNAP BACK WHEN CUT.

UNIT WEIGHS 370 TO 560 LB (170 TO 255 KG). FOR SAFE HANDLING, INSTALLER SHOULD OBTAIN HELP AS NEEDED, OR EMPLOY APPROPRIATE MATERIALS HANDLING EQUIPMENT (SUCH AS A FORKLIFT, DOLLY, OR PALLET JACK) TO REMOVE THE UNIT FROM THE SKID AND MOVE IT TO THE PLACE OF INSTALLATION.



The unit is strapped to a skid, and shipped in a heavy cardboard carton.

Installation

Install the Braising Pan in a well ventilated room for efficient performance. Remove any items which might obstruct or restrict the flow of air for combustion and ventilation. Clear all combustible material from the area directly around the unit.

WARNING
INSTALLATION OF THE BRAISING PAN MUST BE DONE BY PERSONNEL QUALIFIED TO WORK WITH GAS AND ELECTRICITY. IMPROPER INSTALLATION CAN RESULT IN INJURY TO PERSONNEL AND/OR DAMAGE TO EQUIPMENT.

1. Installation on combustible floors is allowed. Ensure minimum clearance to combustible and noncombustible construction of six inches at the rear, zero inches at the sides.
2. Install the unit under a vent hood.
3. Level the unit by adjusting the bullet feet or floor flanges on the legs. Be sure the tilting mechanism has been turned all the way to the horizontal position. Check levelness with a spirit level set on the bottom of the pan body. Anchor the rear legs securely to the floor if floor flanges are ordered or required.
4. Complete piping to the gas service with 3/4" inch IPS pipe or approved equivalent.

WARNING:
THIS UNIT IS FOR COMMERCIAL USE. NEVER USE HOME OR RESIDENTIAL GRADE GAS CONNECTIONS. THEY DO NOT MEET GAS CODES AND COULD BE HAZARDOUS.

5. For a unit on casters, complete connection to the gas supply with connectors that comply with the standard for Connectors for Moveable Gas Appliances, ANSI Z21.69a-latest edition. Restrain movement of the unit by attaching a cable or chain to the eyelet (provided at the back of the frame) and anchoring the cable or chain to the wall or floor. Make the length and location of the cable such that the unit cannot pull on the gas connection while the cable is connected
6. The gas connection must be made with a quick disconnect device compliant with ANSI Z21.41b - latest edition.

WARNING
ELECTRICALLY GROUND THE UNIT AT THE TERMINAL PROVIDED. FAILURE TO GROUND UNIT COULD RESULT IN ELECTROCUTION AND DEATH.

7. For electronic spark ignition, provide 115 VAC, 60 HZ, 1 phase, 5 AMP electrical service through the rear of the electrical console. Local codes and/or The National Electrical Code should be observed in accordance with ANSI/NFPA70, latest edition. AN ELECTRICAL GROUND IS REQUIRED. The electrical schematic is located on the inside of the service panel and this manual. **In Canada**, provide electrical service in accordance with the Canadian Electrical Code, CSA-C22.1 Part 1 and/or local codes.
8. Installation must conform with local codes or with the American National Standard Z223, latest edition, National Fuel Gas Code. The pan should be installed in an adequately ventilated room with a provision for adequate air supply to the unit. The best ventilation will use a vent hood and exhaust fan. DO NOT obstruct the flue or vent duct after installation. **In Canada**, installation must conform to CAN/CGA B149 Installation Codes for Gas Appliances and Equipment and/or local codes
9. Adequate space for proper service and operation is required. DO NOT block any air intake spacings to the combustion chamber or obstruct air flow.
10. After the pan has been connected to the gas supply, check all gas joints for leaks. A soap solution or other suitable leak detector should be used. **Do not use flame to check for leaks**
11. The appliance and its individual shutoff valve must be **protected** from the gas supply piping system during any pressure testing of that system at test pressures **in excess of** 1/2 PSI (3.45 kPa). The appliance may be **isolated** from the gas supply piping system by closing its individual manual shutoff valve during any pressure testing of the gas supply piping system.

Initial Start-Up

Now that your Braising Pan has been installed, you should test it to ensure that the unit is operating correctly.

1. Remove literature and packing materials from the interior and exterior of the unit.
2. Put enough water into the pan to cover the bottom to a depth of ¼ to ½ inch. With the pan body in the horizontal position, note how the water lies in the pan, to confirm that the pan was leveled properly during installation.
3. Following "To Start Pan" instructions for your pan model, begin heating the water at a thermostat setting of 235°F. At this setting, heating should continue until the water boils.

4. To shut down the unit, turn the thermostat dial to "OFF".

WARNING
WATER IS EXTREMELY HOT AND CAN CAUSE SEVERE BURNS. AVOID CONTACT WITH HOT WATER WHEN EMPTYING UNIT.

5. Turn the tilting handwheel clockwise to pour out the water and to confirm that the pan body can be tilted smoothly from horizontal to vertical.

If the unit functions as described above, it is ready for use. If it does not, contact your local Groen Authorized Service Agency.

Operation

A. Controls

Operator controls for the Braising Pans are:

1. Power ON Switch and Power ON indicator
2. The thermostat dial, located on the control console to the left rear of the pan body. This dial is used to turn the thermostat on or off and to set the thermostat for pan temperatures between 175° and 425° F.
3. HEATING indicator light located on the control console, lights when the burners have ignited.
4. The main supply gas valve, installed on the gas line to the unit.
5. For HFP/2 units with standing pilot flame, the gas control valve is on the Combination Gas Control, which is located under the pan on the gas line to the burner manifold. This valve selects settings of "OFF", "PILOT", or "ON" for the Combination Control. HFP/2 units are equipped with an electrical timer having timing and "Done" indicator lights and a beeper.
6. HFP/2 units are also equipped with a mechanical 0-60 minute bell timer.

WARNING
KEEP THE APPLIANCE AREA FREE AND CLEAR OF COMBUSTIBLE MATERIALS.

CAUTION
BE SURE ALL OPERATORS READ, UNDERSTAND AND FOLLOW THE OPERATING INSTRUCTIONS, CAUTIONS AND SAFETY INSTRUCTIONS CONTAINED IN THIS MANUAL.

KEEP FLOORS IN BRAISING PAN WORK AREA CLEAN AND DRY. IF SPILLS OCCUR, CLEAN IMMEDIATELY TO AVOID THE DANGER OF SLIPS OR FALLS.

1. ***For Standard Models with Electronic Ignition (HFP/2E)***
 - a. To Start Pan (See Panel Overlay)
 - (1) Set the Power Switch to "OFF."
 - (2) Set the thermostat to "OFF."
 - (3) Open the main supply gas valve (handle parallel to the gas pipe).
 - (4) Set Power Switch to "ON."

B. Operating Procedure

OM-HFP

- (5) Rotate the thermostat dial until the Heat Light comes on. (It lights when the main burner is on).

b. To Turn Off Pan

- (1) Set the thermostat to "OFF".
- (2) Set Power Switch to "OFF."
- (3) For a prolonged shut-off period:
 - (a) Set the thermostat to "OFF".
 - (b) Turn the main gas valve OFF (handle at right angles to the gas pipe).
 - (c) Disconnect the electrical power from the unit.

c. If Power Fails

- 1) Do not try to operate the unit until power is restored.
- 2) When power is restored, follow directions under "To Start Pan."

1. *For Models with Optional Standing-Flame Pilot (HFP/2)*

a. To Start Pan

- (1) Set thermostat to "OFF".
- (2) Light gas pilot.
 - (a) Set knob on Combination Gas Control Valve to "OFF" by depressing the knob slightly and turning it clockwise.
 - (b) Turn the main supply gas valve ON (parallel to the gas pipe).
 - (c) Tilt the pan, so the pilot burner is easier to reach.
 - (d) Hold a lighted match at the pilot burner, while you depress the knob on the Combination Control and turn it counter-clockwise to the "PILOT" position. Continue to hold the knob down for 60 seconds.
 - (e) Release the knob. The pilot flame should stay lighted.

- (f) Turn the knob counterclockwise to "ON".

- (3) Turn the thermostat dial to the desired temperature.

CAUTION
DO NOT HEAT AN EMPTY PAN FOR MORE THAN FIVE MINUTES AT A SETTING HIGHER THAN 300°F.

b. To Shut Off Pan

- (1) Set the thermostat dial to "OFF".
- (2) To turn off the gas pilot, depress the knob on the Combination Control and turn it clockwise to "OFF".

c. To Relight Pilot

- (1) Close the main supply gas valve.
- (2) Set the thermostat to "OFF".
- (3) Depress the knob on the Combination Control and turn it clockwise to "OFF".
- (4) Wait 5 minutes, then proceed as instructed at "To Start Pan" above.

WARNING
WHEN TILTING BRAISING PAN FOR PRODUCT TRANSFER:

- 1) USE CONTAINERS DEEP ENOUGH TO CONTAIN AND MINIMIZE PRODUCT SPLASHING.
- 2) PLACE CONTAINER ON A STABLE, FLAT SURFACE, AS CLOSE TO THE BRAISING PAN AS POSSIBLE.
- 3) STAND TO THE SIDE OF THE PAN WHILE POURING — NOT DIRECTLY IN THE POUR PATH OF HOT CONTENTS.
- 4) RETURN PAN BODY TO UPRIGHT POSITION AFTER CONTAINER IS FILLED OR TRANSFER IS COMPLETE.
- 5) DO NOT OVERFILL CONTAINER. AVOID DIRECT SKIN CONTACT WITH HOT CONTAINER AND CONTENTS.

3. *To Tilt Pan Body*

Turn the tilting handwheel clockwise to tilt the pan body, or counterclockwise to return the pan body to horizontal. 23 complete turns of the hand-wheel will tilt the body 90 degrees to vertical.

4. To Move a Unit on Casters

The unit must be anchored with a cable or chain to avoid accidentally breaking or pulling loose the gas connection. When the unit is to be moved, first turn off and disconnect the gas connection.

Disconnect the cable from its anchor point on the floor or wall. Anchor the unit again as soon as it is in its new operating location or returned to the previous location. Turn on the gas supply and check for leaks with a soap solution. If leaks are found, do not operate the equipment. Call for service.

5. To Preheat the Pan

- a. For best braising or frying results, preheat pan before you put in any food.
- b. To get an even temperature across the pan, preheat at a setting of 300°F or less for 15 minutes or through several on-off cycles of the burner.

CAUTION
DO NOT HEAT AN EMPTY PAN FOR MORE THAN FIVE MINUTES AT A SETTING HIGHER THAN 300°F. DAMAGE TO THE PAN COULD RESULT.

c. Cooking

1. To simmer or slowly heat an item, set the dial at 210°F or lower. Put the cover down to minimize moisture loss, or leave it up to help dry or reduce

the product. Set the thermostat higher to cook or drive off moisture faster. You may adjust the thermostat to any setting to cook the item exactly as required.

2. Leave the cover vent open to let excess steam escape. For long simmering operations, you may wish to close the vent to retain moisture.



WARNING
STEAM CAN CAUSE BURNS. AVOID ESCAPING STEAM WHEN RAISING COVER.

3. To check progress when the cover is closed, lift the handle of the vent cover slightly, and move it quickly to either side.
4. Standing to one side of the pan (to avoid the steam that will be released) grasp the nearer corner of the cover handle and raise the cover. The cover will stay in the open position until you push it down.

WARNING
ITEMS IN SAUCE OR MELTED FAT CAN SLIDE FORWARD SUDDENLY DURING TILTING AND SPLASH THE HOT LIQUID.

5. To pour or dump product, remove grease, or assist cleaning, first raise the cover, then tilt the pan forward by turning the tilting handwheel. When you stop turning the wheel, the pan body will hold its position.

Sequence of Operation

The following "action-reaction" outline is provided to help the user understand how the equipment functions.

A. Standard Models with Spark Ignition

1. When the power switch is turned on, it starts the spark igniter and opens the automatic valve for the pilot burner. The spark ignites a pilot flame, which heats the sensor. The sensor then sends a signal to turn off the spark. The flame thereafter acts as a standing pilot until the power is turned off.
2. If the pilot flame is not sensed within 90 seconds after spark begins, a timer shuts down the entire operation. To attempt a second trial for ignition, turn off the power switch. Check the gas supply valves and wait five minutes before trying again by switching power on. If there is still no pilot flame in four tries, close all valves, turn off the power, and contact an authorized Groen Service Agency.
3. When the operator sets a temperature on the thermostat, it causes the automatic valve to admit gas to the main burner, where it is ignited by the pilot flame. When the braising pan reaches the set temperature, the thermostat switch opens. This stops the signal to the gas control valve and shuts off gas to the main burner. The pilot flame remains lit. When the pan cools below the set temperature, the thermostat switch closes and starts another cycle. On and off cycling continues and maintains the pan at the desired temperature. This action is indicated by the Heat indicator light.

OM-HFP

B. Models with Optional Standing Pilot Ignition

1. When the operator presses down the knob on the Combination Gas Control Valve and turns it to "Pilot", gas is admitted to the pilot burner. Depressing the knob in this position overrides the automatic control, which otherwise shuts off all gas supply when the thermopile is cold. Lighting and maintaining the pilot flame for sixty seconds heats the thermopile to operating temperature, so the

thermopile begins to provide electric current at 750 millivolts. Electricity from the thermopile powers the control circuit and the Combination Gas Control Valve. When the thermopile begins operating at full capacity, the knob may be released.

2. When the knob is turned to "ON", the automatic valve for the main burner is able to open. Setting the thermostat to call for heat causes the thermostat to send a signal to the valve, which opens and admits gas to the main burner. Gas from the main burner is ignited by the pilot flame. When the pan reaches the set temperature, the thermostat switch opens, stopping the signal to the main burner valve and causing the valve to close. When the pan cools below the set temperature, the thermostat switch closes and starts another heating cycle. On-off cycling continues and maintains the pan at the desired temperature.

Cleaning

WARNING

KEEP WATER AND SOLUTIONS OUT OF CONTROLS AND BURNERS. NEVER SPRAY OR HOSE THE CONTROL CONSOLE OR ANY ELECTRICAL CONNECTIONS.

1. Before any cleaning operation, shut off the burner by turning the thermostat dial to "OFF". If water or cleaning solution will be sprayed, unplug the unit from the electric power source, or shut off the power at the circuit breaker or fuse panel.
2. Clean all food-contact surfaces soon after use, before the pan has cooled completely. If the unit is in continuous use, thoroughly clean and sanitize both interior and exterior at least once every 12 hours.



CAUTION

MOST CLEANERS ARE HARMFUL TO THE SKIN, EYES, MUCOUS MEMBRANES AND CLOTHING. PRECAUTIONS SHOULD BE TAKEN TO WEAR RUBBER GLOVES, GOGGLES OR FACE SHIELD AND PROTECTIVE CLOTHING. CAREFULLY READ THE WARNINGS AND FOLLOW THE DIRECTIONS ON THE LABEL OF THE CLEANER TO BE USED.

3. Scrape or rinse out large amounts of food residues, then wash the inside of the pan body with a mixture of hot water and soap or an appropriate detergent, such as Mikro-Quat from ECOLAB.

Follow the detergent supplier's recommendations on strength of the solution to use. Rinse the pan thoroughly with hot water and drain completely.

4. To remove materials stuck to the equipment, use a brush, sponge, cloth, plastic or rubber scraper, or plastic wool along with the detergent or soap solution. To minimize the effort required in washing, let the detergent solution sit in the pan and soak into the residue, or heat the detergent solution briefly in the pan. Do NOT use any abrasive materials or metal implement that might scratch the surface, because scratches make the pan hard to clean and provide places for bacteria to grow. Do NOT use steel wool, which may leave particles imbedded in the pan surface and cause eventual corrosion and pitting.

5. As part of the daily cleaning program, clean all external and internal surfaces that may have been soiled. Remember to check such parts as the underside of the cover, control console, etc.

OM-HFP



Don't use metal implements or steel wool to clean the braising pan.



Use a brush, cloth, sponge or other non-abrasive tool for cleaning.

6. Controls and the control console may be cleaned with a damp cloth.
7. The exterior surface of the unit may be polished with a recognized stainless steel cleaner, such as "Zepper" from Zep Manufacturing Co.
8. If the equipment needs to be sanitized, use a sanitizing solution equivalent to one that supplies 200 parts per million available chlorine. Obtain advice on the best sanitizing agent from your supplier of sanitizing products. Following the supplier's instructions, apply the sanitizing agent after the unit has been cleaned and drained. Rinse off the sanitizer thoroughly.

NOTICE
NEVER LEAVE A CHLORINE SANITIZER IN CONTACT WITH STAINLESS STEEL SURFACES LONGER THAN 30 MINUTES. LONGER CONTACT CAN CAUSE CORROSION.

9. If there is difficulty removing mineral deposits or a film left by hard water or food residues, clean the pan thoroughly and then use a deliming agent, such as Groen De-limer/De-Scaler (P/N 114800) or Lime-Away from ECOLAB, in accordance with the manufacturer's directions. Rinse and drain the unit before further use.
10. If especially difficult cleaning problems persist, contact your cleaning product representative for assistance.

Maintenance

Your Braising Pan is designed to require minimum maintenance, but certain parts may need replacement after prolonged use. After installation, no user adjustment should be necessary. If a service need arises, only authorized personnel should perform the work.



cleaning the inside of the control console, and possible adjustment of the pilot light. At least twice a year, grease the two trunnion bearings.

WARNING
ELECTRIC POWER ALWAYS SHOULD BE SHUT OFF BEFORE WORK IS DONE ON INTERNAL COMPONENTS.

Service personnel should check the unit at least once a year. This periodic maintenance should include inspecting electrical wires and connections,

WARNING
DISCONNECT ELECTRICAL POWER FROM THE UNIT BEFORE ATTEMPTING TO GREASE THE TRUNNION BEARINGS.

A Service Log is provided with the warranty information at the back of this manual. Each time service is performed on your Groen equipment, enter the date on which the work was done, what was done, and who did it. Keep the manual with the equipment for quick and easy reference.

OM-HFP

Troubleshooting

Your Groen Braising Pan will operate smoothly and efficiently if properly maintained. However, the following is a list of checks to make in the event of a problem. If the actions suggested do not solve the problem, call your qualified Groen Service Representative. For the phone number of the nearest agency, call your area Groen representative or the Groen Parts and Service Department. If an item on the list is followed by **Y**, the work should only be performed by a qualified service representative.

WARNING

BEFORE REPLACING ANY PARTS, DISCONNECT THE UNIT FROM THE ELECTRICAL POWER SUPPLY AND CLOSE THE MAIN GAS VALVE. ALLOW FIVE MINUTES FOR GAS TO VENT.

USE OF ANY REPLACEMENT PARTS OTHER THAN THOSE SUPPLIED BY GROEN OR THEIR AUTHORIZED DISTRIBUTORS CAN CAUSE INJURY TO THE OPERATOR AND DAMAGE TO THE EQUIPMENT AND WILL VOID ALL WARRANTIES.

Important: Service performed by other than factory authorized personnel will void all warranties.

SYMPTOM	WHO	WHAT TO CHECK X indicates items which must be performed by an authorized technician.
---------	-----	---

A. All Models

Pan is hard to tilt.	Auth Service Rep Only	a. Gears for foreign materials, lubrication, and alignment. X b. Broken tilt or worm gears. X
Burners will not light	User	a. That the main gas supply valve is open (handle is in line with the gas pipe) b. Gas supply to the building. c. That the pan body is horizontal.
	Auth Service Rep Only	d. Thermostat operation. The thermostat should click when the dial is rotated to settings above and below the temperature of the pan. X
Pan continues to heat after it reaches desired temperature	User	a. Thermostat dial setting
	Auth Service Rep Only	b. Thermostat calibration. X c. Thermostat operation. The thermostat should click when the dial is rotated to settings above and below the temperature of the pan. X
Pan stops heating before reaching desired temperature.	User	a. Thermostat dial setting.
	Auth Service Rep Only	b. Thermostat calibration. X c. Thermostat operation. The thermostat should click when the dial is rotated to settings above and below the temperature of the pan. X
Pan heats unevenly	User	a. That the pan body is horizontal. b. That the pan is preheated properly in accordance with the instructions in the Operation section of this manual.

B. Standard Models with Electronic Ignition System (Refer to Schematic)

System does not produce a spark	Auth Service Rep Only	a. Thermostat, and close the contacts if they are open X b. AC voltage between terminals on secondary side of transformer. If it is not 24 Volt, replace the transformer X c. That the high tension cable is in good condition. If cracked or brittle, replace. X d. Pilot electric ceramic for crack or break. X e. Pilot spark gap. Regap. X
---------------------------------	-----------------------	--

Important: Service performed by other than factory authorized personnel will void all warranties.

SYMPTOM	WHO	WHAT TO CHECK X indicates items which must be performed by an authorized technician.
Spark is present but the pilot will not light.	Auth Service Rep Only	a. That the pilot valve is securely connected to terminals. X b. For 24 VAC at terminals PV and PV/MV. If 24V is not present, replace the ignition control module. X b. That gas pressure is at least 3.5" W.C.(8.7818 : b). X c. For gas at the pilot. If it is not flowing: (1) Check the pilot gas line for kinks and obstructions. X (2) Clean orifice, if necessary. X (3) Check magnetic operator for pilot valve on gas valve. Repair or replace as necessary. X d. That the pilot spark gap is located in the pilot gas stream. If not, adjust or replace the pilot burner. X e. For drafts. Shield the pilot burner, if necessary. X
Pilot lights, but main burner will not come on and spark does not stay on.	Auth Service Rep Only	a. Check operating thermostat to see that it is closed at temperature setting higher than that of the current pan temperature. X b. For 24 V between terminals V and PV/MV. If 24V is not present, replace the ignition control module. X c. That gas pressure is at least 3.5" W.C.(8.7818 : b). X d. Electrical connections of the main valve to terminals, to assure that they are securely attached. Check magnetic operator for main valve on gas valve. Repair or replace as necessary. X e. That secondary thermostat switch is closed.X
Pilot lights, but main burner will not come on, the spark stays on.	Auth Service Rep Only	a. Check for bad burner ground. If necessary, repair with high temperature wire. X b. Pilot burner ceramic insulator for cracks. X c. That high tension cable is not grounded out. If it is, correct the ground-out condition or the pilot burner. X d. For proper gas pressure. X e. Clean pilot assembly, or replace if necessary. X f. Tighten all mechanical and electrical connections. X g. If the pilot flame is weak, increase pilot orifice size. X h. Replace ignition control module. X
Main burner comes on but will not stay on.	Auth Service Rep Only	a. Check burner ground for bad wire or connection. Replace if necessary with high temperature wire. X b. Check for low gas supply pressure. If necessary, replace ignition control module. X

C. Models with Standing Pilot Ignition System

Pilot will not light.	User	a. Lighting procedure, to ensure that the instructions in the Operation section of this manual are followed
	Auth Service Rep Only	b. That the pilot gas supply line is purged of air. X c. Pilot gas adjustment screw, to ensure that it is open. X d. Pilot tubing and orifice for clogging. X
Pilot flame goes out when Combination Control knob is released.	Auth Service Rep Only	a. Pilot gas adjustment. X b. Are connections from Powerpile generator to Pilotstat power unit and Powerpile operator clean and secure? X c. Are open and closed circuit output voltages of the generator in the acceptable range shown by the charts in the manual for the W720 Systems Tester? X d. Resistance of the Pilotstat power unit. X e. If an appropriate meter is not available, replace the generator first, then the power unit. X

OM-HFP

Important: Service performed by other than factory authorized personnel will void all warranties.

SYMPTOM	WHO	WHAT TO CHECK X indicates items which must be performed by an authorized technician.
Pan will not heat, and pilot light is out	User	a. Is the Combination Gas Control Valve knob turned ON? b. Check the pilot tubing and orifice for clogging.
	Auth Service Rep Only	c. Are connections from Powerpile generator to Pilotstat power unit and Powerpile operator clean and secure?X d. Are Open and closed circuit output voltages of the generator in the acceptable range shown by the charts in the manual for the W720 Systems Tester?X e. If an appropriate meter is not available, replace the generator. X
Pan will not heat, but pilot light is burning	Auth Service Rep Only	a. That secondary thermostat switch is closed.

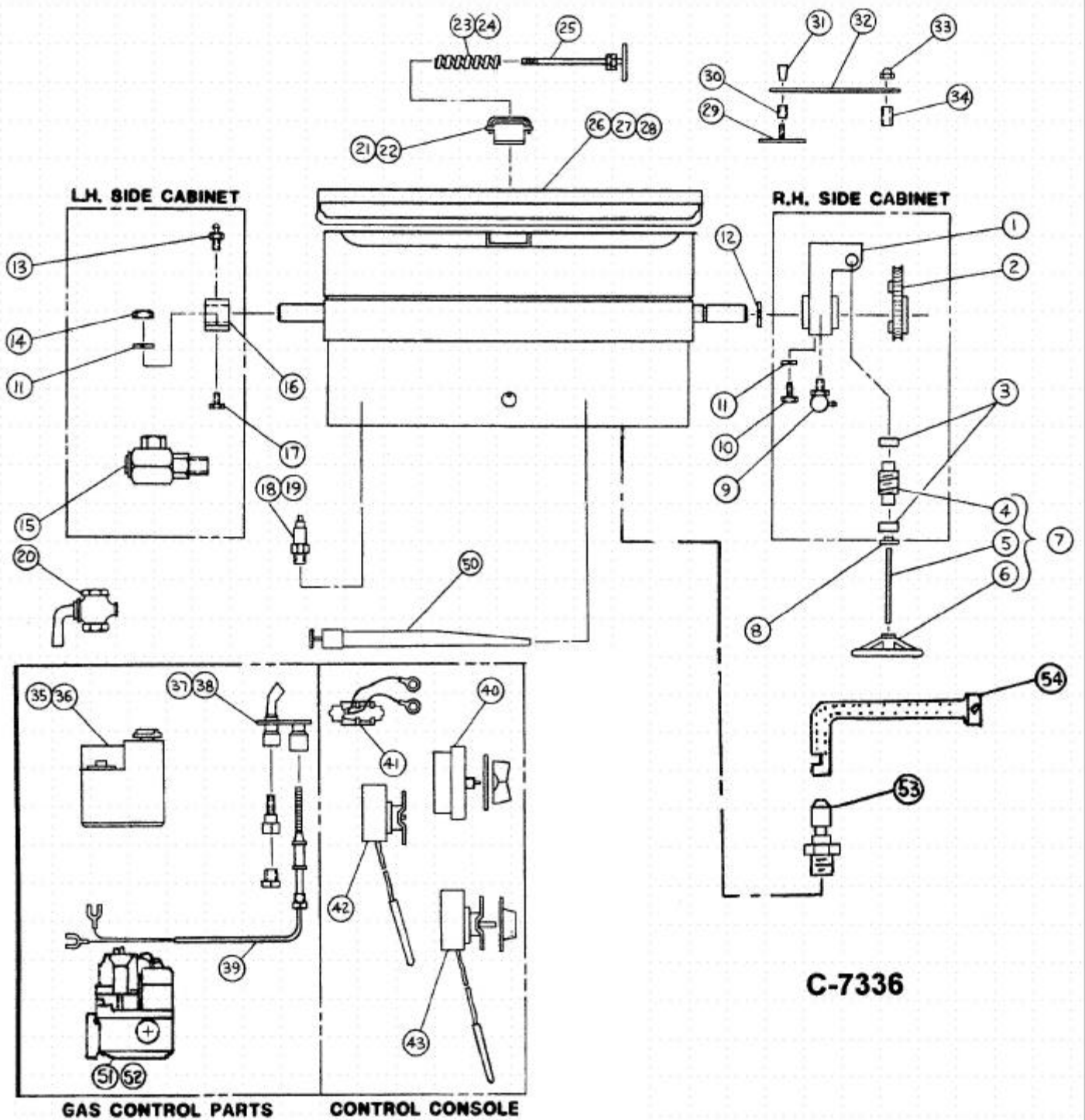
Parts List - HFP/2E & HFP/2

To order parts, contact your authorized Groen Service Agency. Supply the model designation, part description, part number, quantity, and, where applicable, voltage and phase.

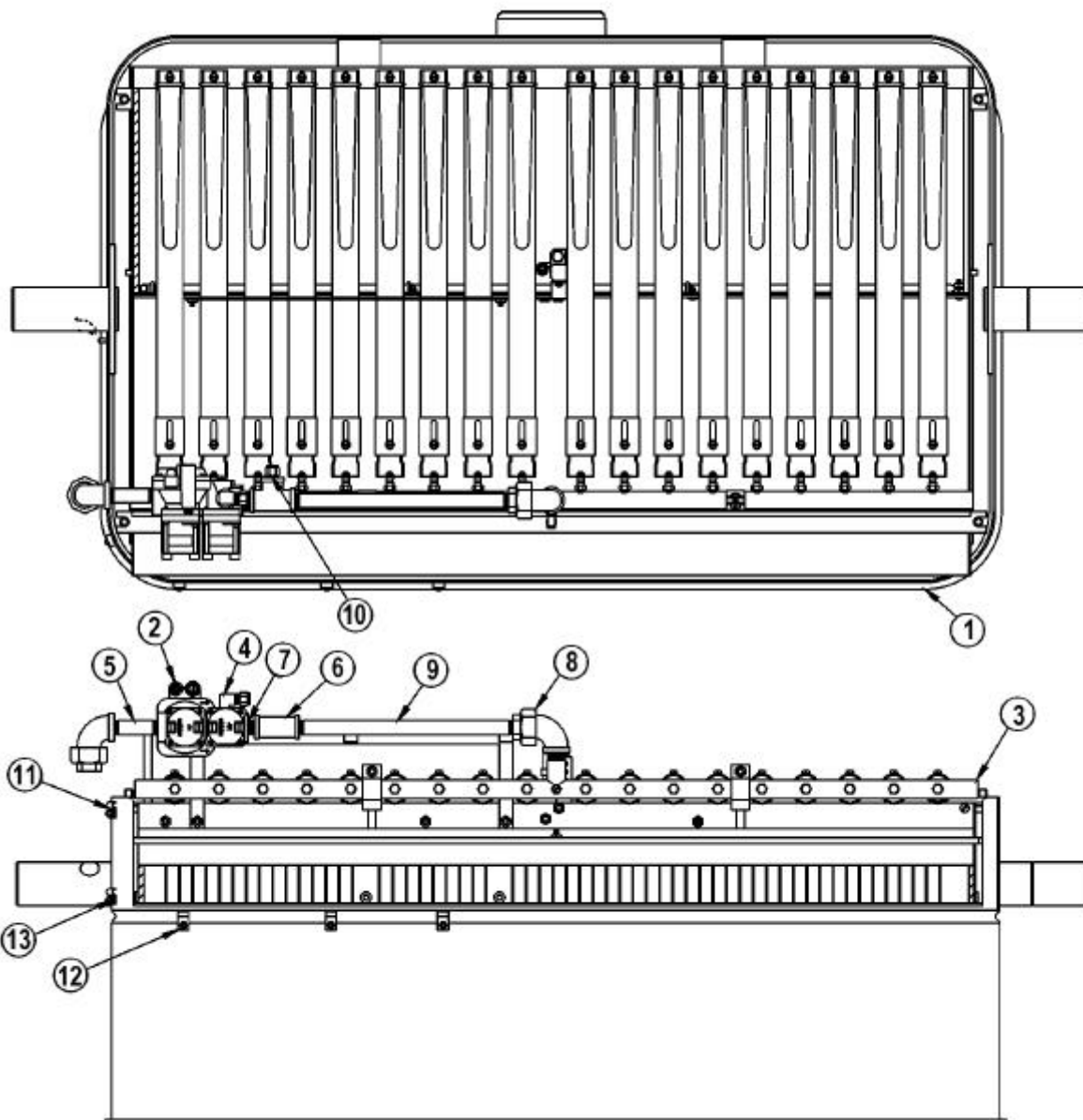
Key	Description	Part No.	Key	Description	Part No.
1	Gear Carrier Assembly (Casting)	014079	31	Knob - Plastic	002408
2	Worm Gear Sector	009829	32	Arm - Vent Cover	002377
3	Thrust Bearing	002790	33	Nut - Acorn	005471
4	Worm Gear (Single R.H.)	012026	34	Spacer - Long	012733
5	Handwheel Shaft (15 ϕ " long)	003123	35	Gas Control Valve - Nat. Stnd. Plt.	002648
6	Handwheel Assembly	012061	36	Gas Control Valve - Prop. Stnd. Plt	002649
7	Handwheel Shaft & Worm Assy.	049868	37	Pilot - Burner (Natural) Stnd. Plt.	001125
8	Bushing - Snap	000453	38	Pilot - Burner (Propane)	001129
9	90° Alemite Grease Fitting	012195	39	Thermopile	001126
10	Hex Head Screw ϕ " -16 x1" long	005612	40	Timer	096826
11	Washer - Lock ϕ "	005618	41	Tilt Switch & Clip	122176
12	Retaining Ring - external (2")	012826	42	Thermostat (425°F)	013481
13	Alemite Grease Fitting (straight)	012100	43	Thermostat (100°F to 450°F)	041700
14	Nut - Hex ϕ -16	003566	44	Sensing Probe	003328
15	Swivel Joint	076680	45	Transformer 120/24V	106233
16	Trunnion Race (Casting)	013488	46a	Bracket - Electronic Ignition	119418
17	Hex Head Screw ϕ " - 16 x 1½" lg.	005615	46b	Bracket, Standing Pilot	128518
18	Orifice #54 (Natural Gas)	045897	47	Igniter	054285
19	Orifice #65 (Propane Gas)	050047	48	Retaining Clip	012947
20	Gas Valve Manual Shut-Off	098458	49	Ignition Module	085153
21	Actuator Bracket Assy (size 2) 7"	074627	50	Burner Tube	051619
	Actuator Bracket Assy (size 2) 9"	074630	51	Gas Valve Natural	123815
22	Actuator Bracket Assy (size 3-4) 7"	014085	52	Gas Valve Propane	128412
	Actuator Bracket Assy (size 3-4) 9"	014085	53	Orifice Ignition Tube	See Table
23	Spring (size 2)	012413	54	Ignition Tube Size 2	073190
24	Spring (size 3 & 4)	012533		Ignition Tube Size 3	055008
25	Spring Rod Assembly	012524		Ignition Tube Size 4	046406
26	Cover Assembly (size 2)	014030			
27	Cover Assembly (size 3)	048798			
28	Cover Assembly (size 4)	046450			
29	Vent Cover with Stud	003265			
30	Spacer - Short	002378			

OM-HFP

Parts List - HFP/2E & HFP/2



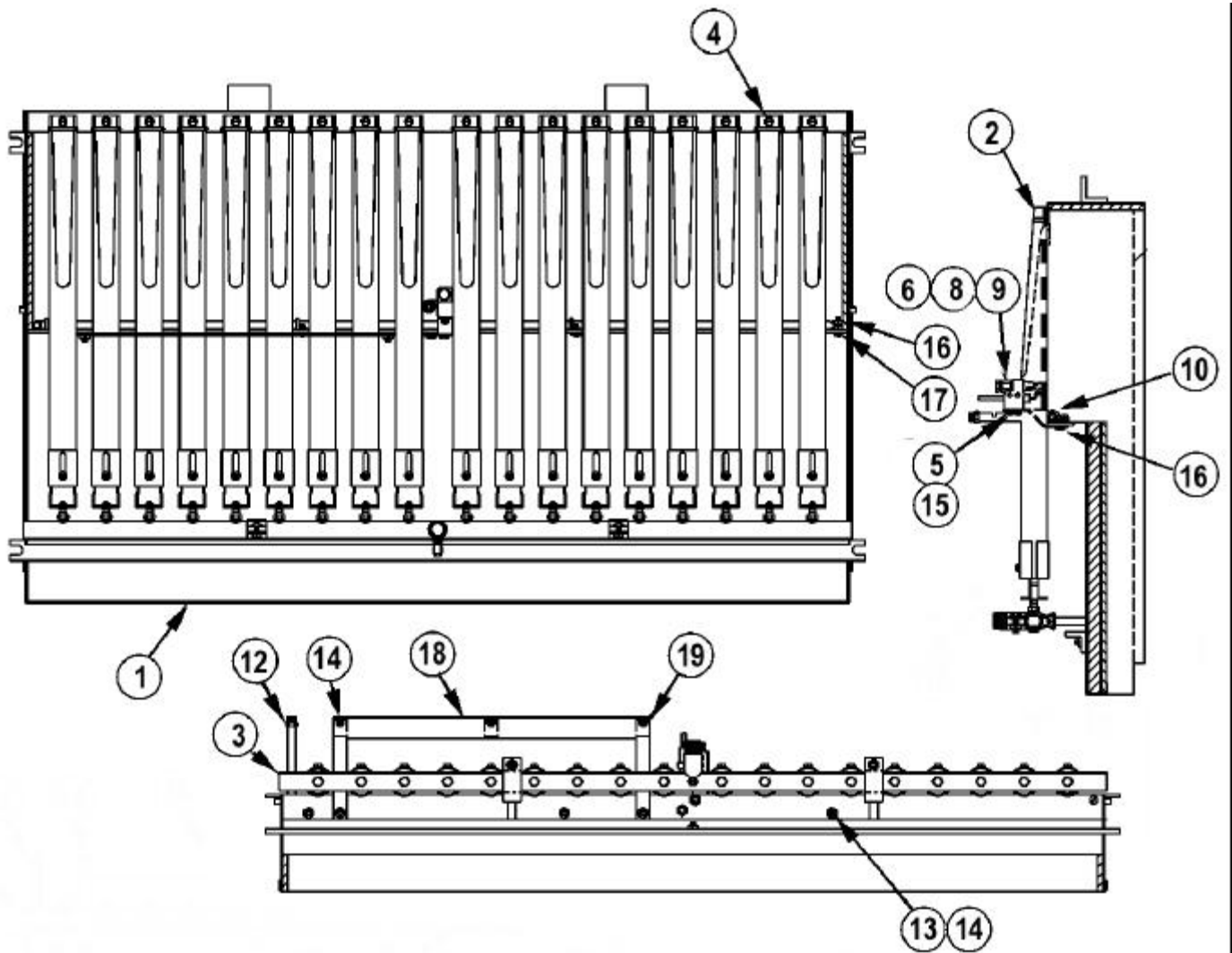
Parts List
Pan Sub-Assembly, HFP/2E



Key	Description	Part No.	Key	Description	Part No.
1	Pan Sub-Assembly HFP/2-4	127652	5	Nipple, ½" NPT x 2" long, HFP/2E-4, -2	005551
	Pan Sub-Assembly HFP/2-3	127582		Nipple, ½" NPT x 2" close, HFP/2E-3	008877
	Pan Sub-Assembly HFP/2-2	127763	6	Tee, ½" NPT	008772
2	Valve, Gas	123815	7	Nipple, ½" NPT x Close	008877
3	Assy Comb Chamber-burner HFP/2E-4	127666	8	Elbow, 90° Union, ½" NPT	005495
	Assy Comb Chamber-burner HFP/2E-3	127665	9	Nipple, ½" NPT x 11" long, HFP/2E-4	005673
	Assy Comb Chamber-burner HFP/2E-2	127664		Nipple, ½" NPT x 1½" long, HFP/2E-3	004184
4	Elbow 1/8" NPT x ¼" tube (90°)	097195	10	Connector Male, ½" NPT x ¼" tube	049429

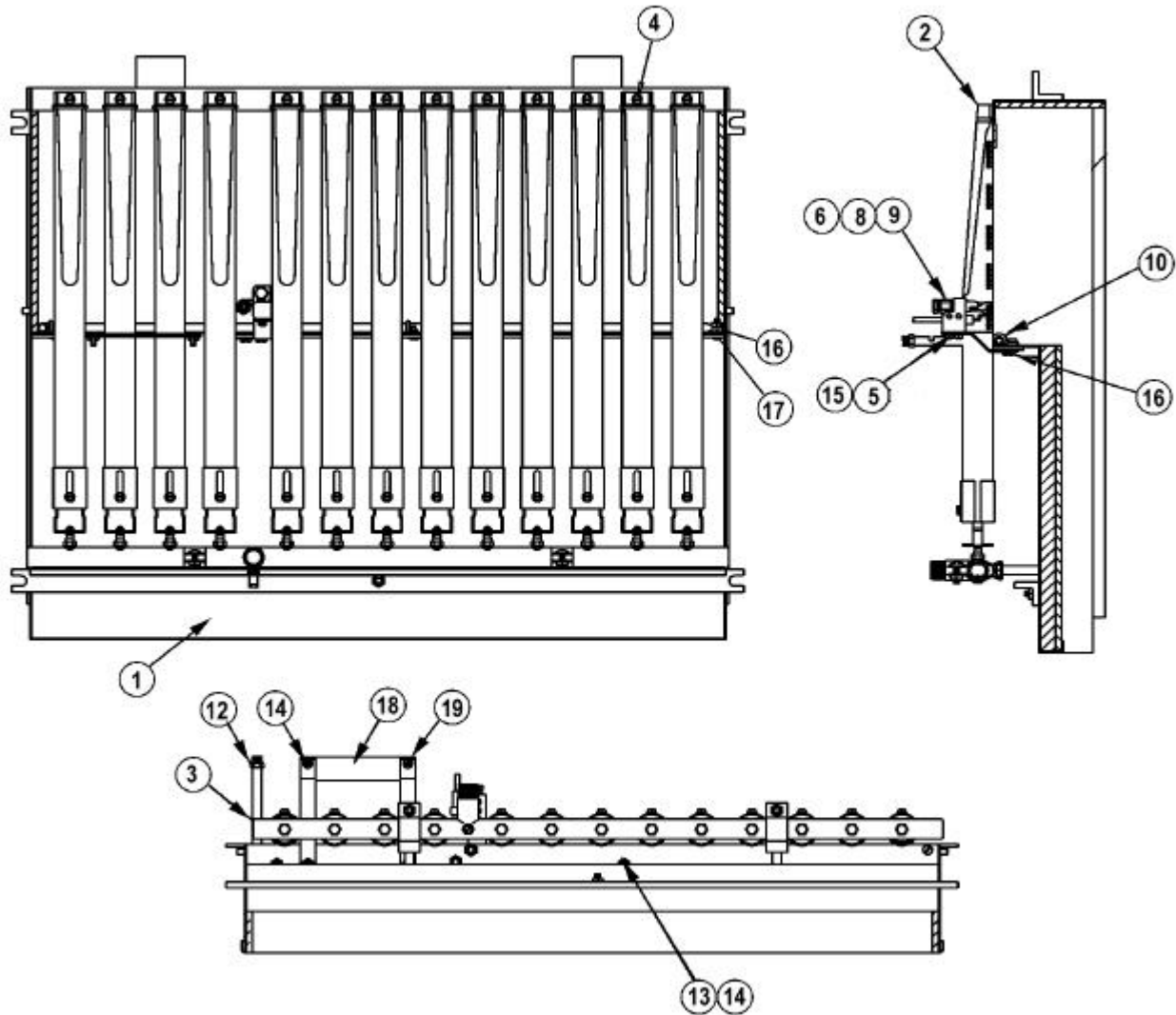
OM-HFP

Parts List Combustion Chamber & Burner Assembly, HFP/2E-4



Key	Description	Part No.	Key	Description	Part No.
1	Combustion Chamber assy, HFP/2E-4	119409	12	Ignition Tube Assy, size 4, (natural gas)	127621
2	Burner Tube	051619	13	Screw, #10-32 x 1" hex, slotted head cap	093478
3	Manifold Assembly complete HFP/2E-4	069709	14	Nut, hex keps #10-32	071256
4	Sheet metal screw #10, 3/8" long	074507	15	Lock Washer #10, stainless steel	005654
5	Screw #10-32 x 1/4" fill. hd, slotted	090797	16	Hex nut with integral washer	012940
6	Bracket, Pilot	119418	17	Screw, round head 1/4" x 20 x 1"	012847
8	Pilot Orifice Spud, .026"	119449	18	Bracket, Cable routing	119468
9	Assembly, Pilot Burner	127578	19	Clamp, Conduit 3/8"	008224
10	Clamp, Igniter Tube	085107			

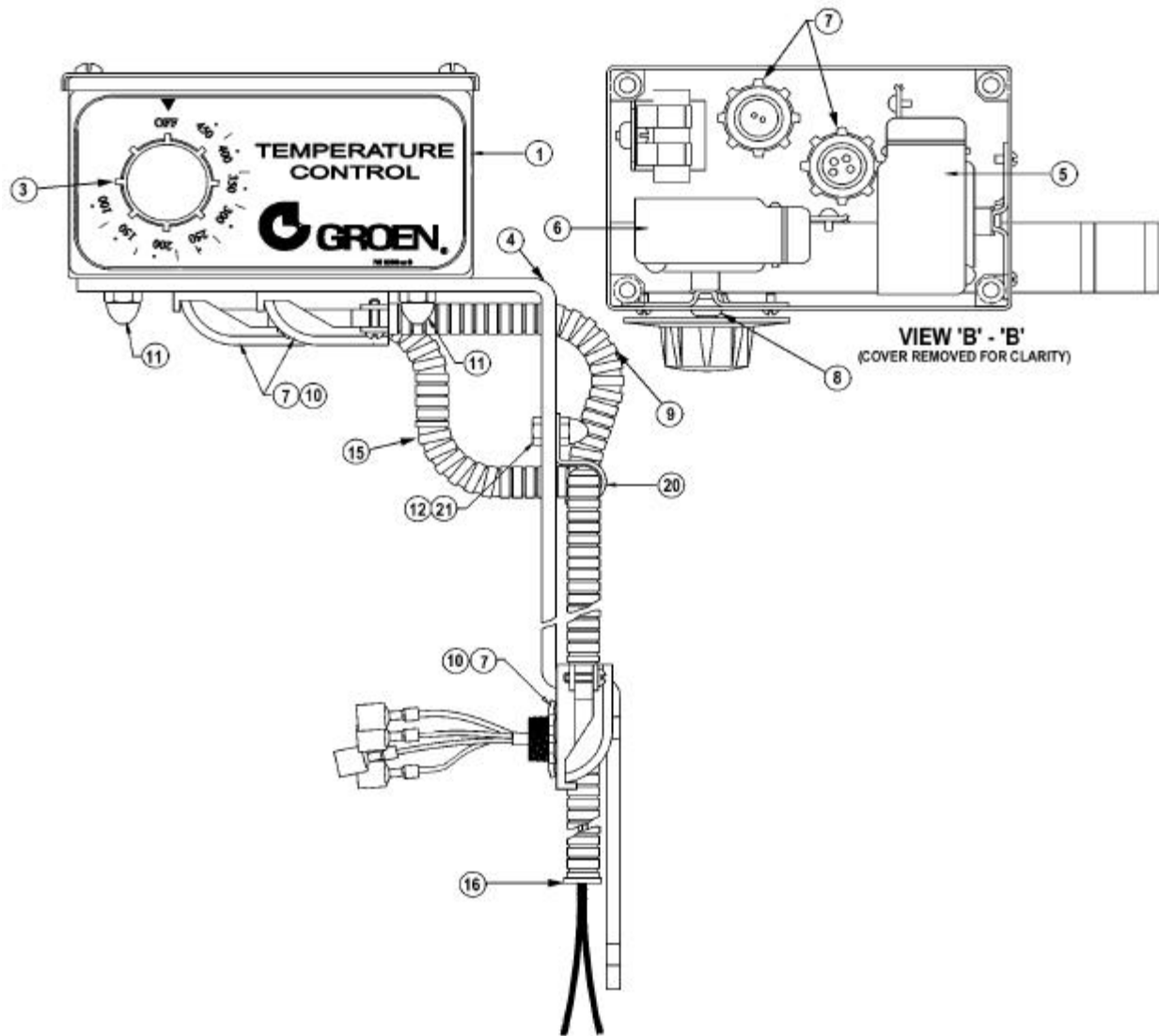
Parts List
Combustion Chamber & Burner Assembly, HFP/2E-3, -2



Key	Description	Part No.	Key	Description	Part No.
1	Combustion Chamber assy, HFP/2E-3	119426	12	Ignition Tube Assy, size 3, (natural gas)	127620
2	Burner Tube	051619	13	Screw, #10-32 x 1" hex, slotted head cap	093478
3	Manifold Assembly complete HFP/2E-3	069255	14	Nut, hex keps #10-32	071256
4	Sheet metal screw #10, 3/8" long	074507	15	Lock Washer #10, stainless steel	005654
5	Screw #10-32 x 1/4" fill. hd, slotted	090797	16	Hex nut with integral washer	012940
6	Bracket, Pilot	119418	17	Screw, round head 1/4" x 20 x 1"	012847
8	Pilot Orifice Spud, .026"	119449	18	Bracket, Cable routing, HFP/2-3, -2	123726
9	Assembly, Pilot Burner	127578	19	Clamp, Conduit 3/8"	008224
10	Clamp, Igniter Tube	085107			

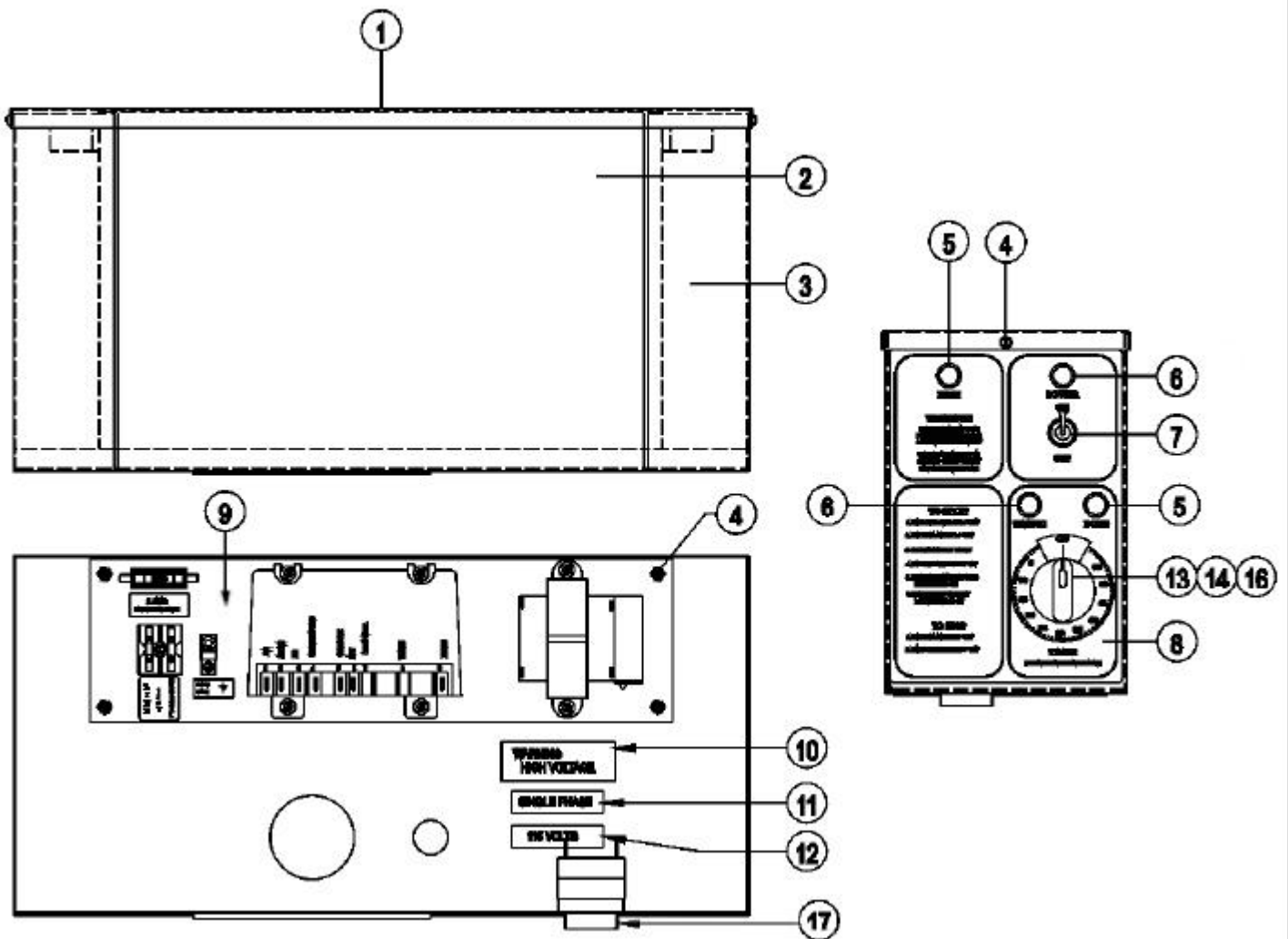
OM-HFP

Parts List Control Console Assembly, HFP/2



Key	Description	Part No.	Key	Description	Part No.
1	Control Console Shell Assembly	127546	11	Nut, dome, high profile ¼ - 20	090567
3	Knob, thermostat	128525	12	Screw, hex head cap #10-32 x 3/8"	128757
4	Bracket, Control Console mounting	122175	13	Screw, rd. hd, machine #6-32 x 3/8"	009697
5	Thermostat 425°F	013481	15	Conduit, flexible 5/16	006940
6	Thermostat 100° to 450° with dip seal	041700	16	Conduit, insulator	071934
7	Conduit Nut, ½"	005487	18	Switch, Mercury	128820
8	Grommet, ¼ ID x ½ OD x 1/16 groove	001518	19	Mercury Switch Mounting Bracket	122177
9	Harness, wiring, thermostat box	127695	20	Clamp, conduit, rigid 3/8"	008224
10	Elbow 90° 3/8" conduit connector #266	004098	21	Nut, dome, high profile #10-32	128756

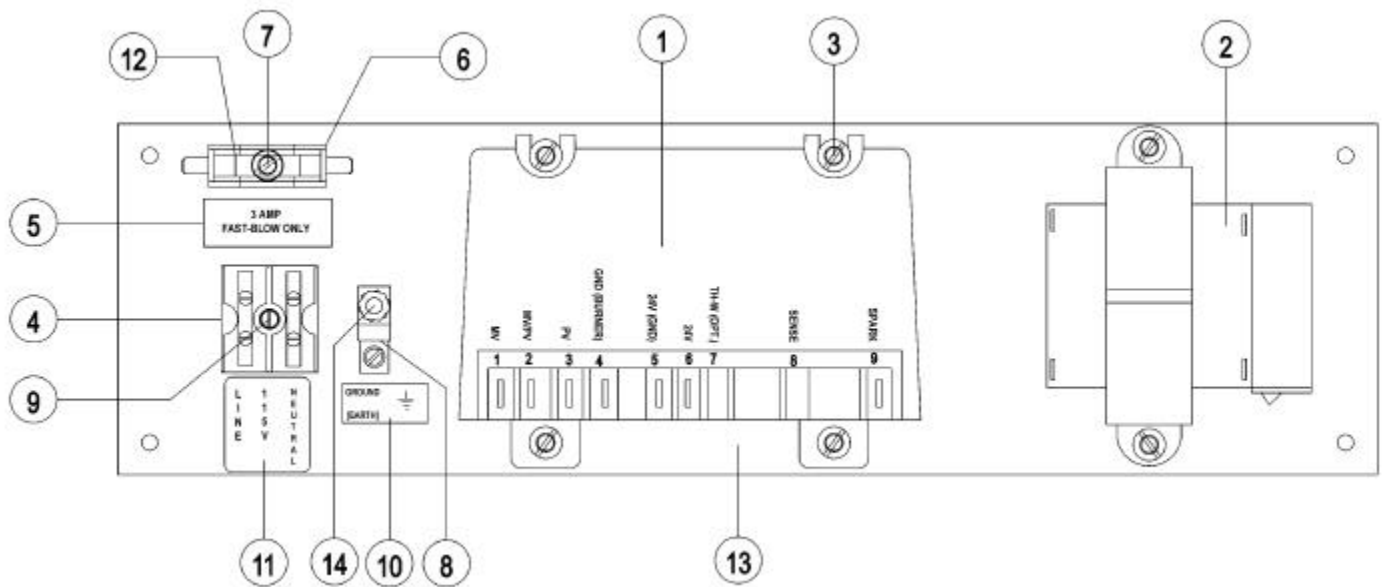
Parts List
Ignition Control Cabinet Assembly, HFP/2E



Key	Description	Part No.	Key	Description	Part No.
1	Cover, Ignition Control Cabinet	119441	11	Label, "Single Phase"	008118K
2	Side panel, Ignition Control Cabinet	119440	12	Label, "115 Volts"	008118B
3	Weldment, Ignition Control Cabinet	127508		Label, "208 Volts"	008118D
4	Screw, pan head 8-32 x 3/8"	005764		Label, "240 Volts"	008118G
5	Indicator Light, amber, 24 VAAC	116384	13	Knob, Timer	123100
6	Indicator Light, red, 24 VAC	116383	14	Electrical Timer 24 VAC 60 Hz	096826
7	On/Off Toggle Switch w/.25" terminals	006904	15	Wiring Diagram (not shown)	127748
8	Overlay HFP front panel	123829	16	Timer Nut	101145
9	electrical components assembly	127510	17	Beeper	128355
10	Label, Warning "High Voltage"		18	Harness, Wiring Kit (not shown)	128286

OM-HFP

Parts List Electrical Panel Assembly Assembly, HFP/2E



Key	Description	Part No.	Key	Description	Part No.
1	Spark Ignition Module	085153	8	Lug, Ground 14-6 AWG	119829
2	Transformer 75A, 24V Sec/120V Pri or Transformer 75A, 24V Sec/208-240V P	106233 106234	9	Screw, round head, 8-32 x 1¼" long	005056
3	Screw, pan head 8-32 x 3/8" long	005764	10	Label, "Earth Ground"	003384
4	Terminal Block, 2 Pole #4 #18 AWG	003887	11	Label Electrical Connection or Label Supply Voltage (line-neutral-grnd)	102229 114316
5	Label "3 Amp Fast Blow Only"	102251	12	Fuse, 3.0 Amp, Type 3 AG	077853
6	Fuse Holder	077854	13	Electrical panel	127509
7	Screw round head, 6-32 x ¼" long	018384	14	Nut, hex keps #10-32 with shake-proof washer	071256

Parts List - Fuel Gas Conversion

(For conversion of a natural gas unit to propane or a propane model to natural gas)

Model: HFP/2E and HFP/2

HFP/2E WITH ELECTRONIC IGNITION

HFP/2 WITH STANDING PILOT

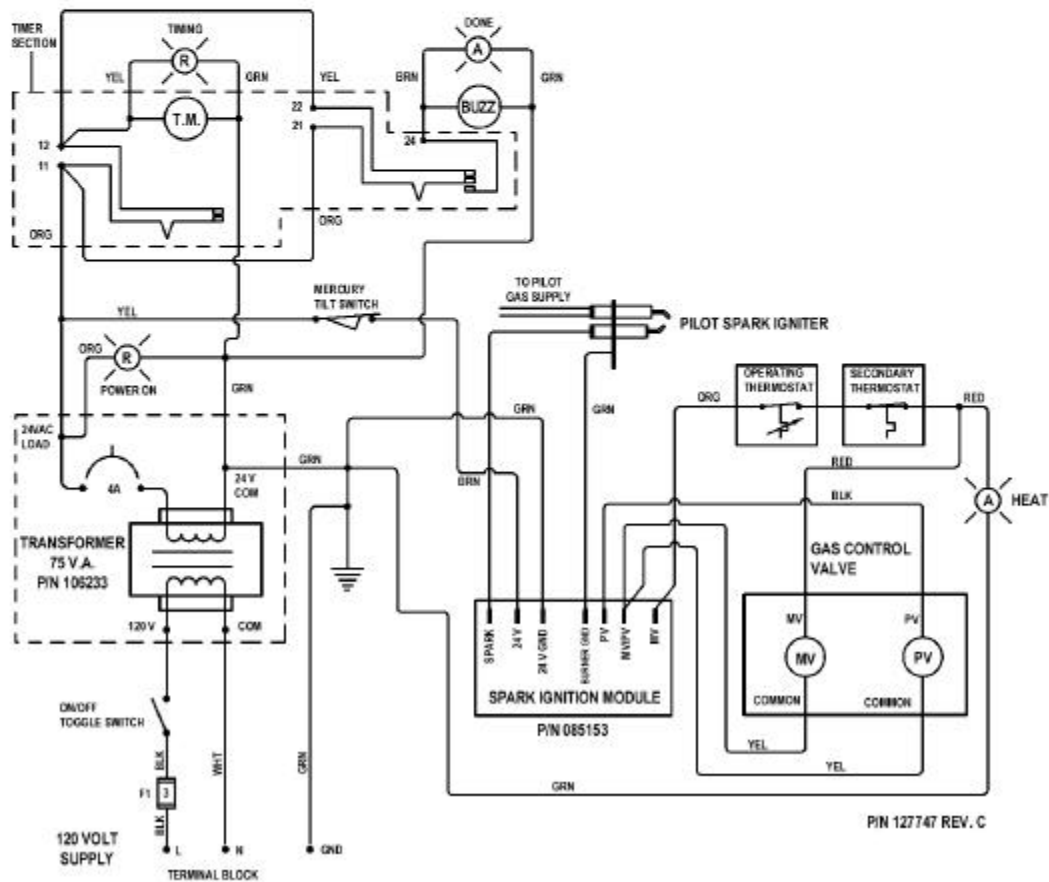
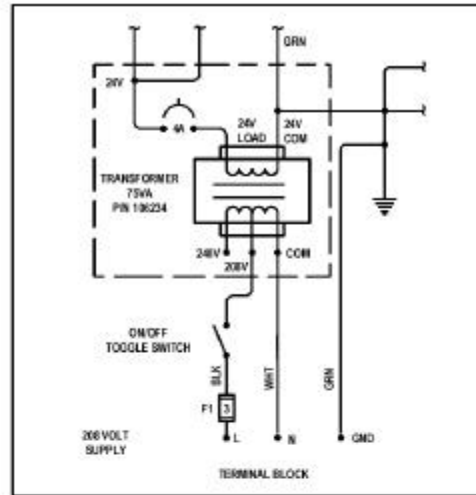
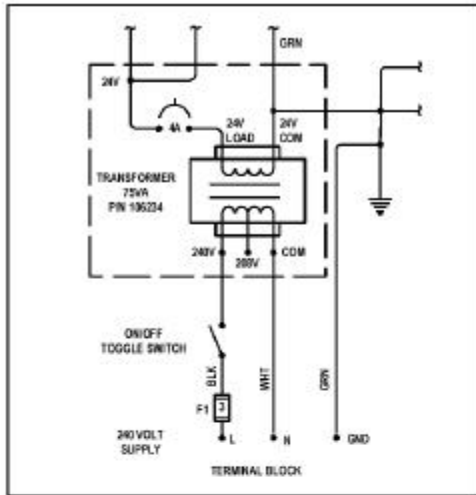
DESCRIPTION	QTY	NAT GAS	LP GAS	DESCRIPTION	QTY	NAT GAS	LP GAS
Glow Coil	1	054285	054285	Pilot Burner	1	001125	001129
Orifice/Burner	%	045897	050047	Orifice/Burner	%	045897	050047
Gas Valve	1	049555	049557	Gas Valve	1	002648	002649
Serial Plate	1	065658	065658	Serial Plate	1	065658	065658

***Burner Orifice “Quantity” Chart**

Model	Size 2	Size 3	Size 4
HFP/2	13	15	18

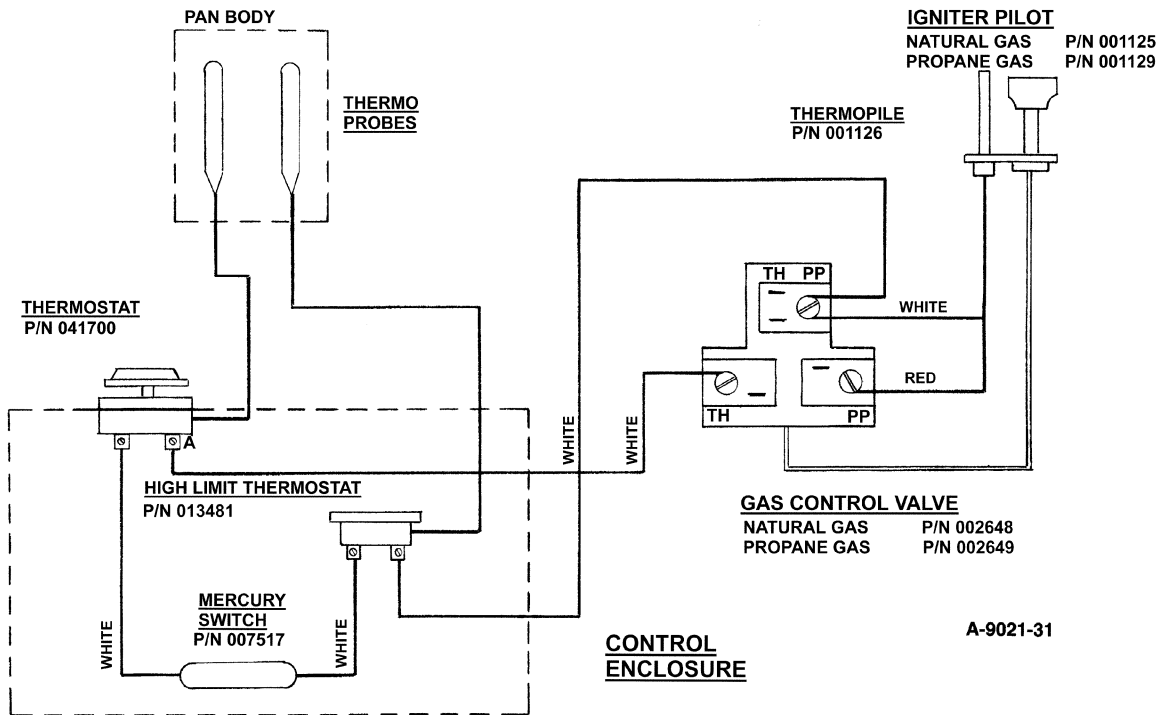
OM-HFP

Diagrams and Schematics Electronic Ignition System



HFP/2E Models

**Diagrams and Schematics
Standing Pilot Ignition System
HFP/2 Models Only**



OM-HFP

Service Log

Model No. _____ Purchased From _____
Serial No. _____ Location _____
Date Purchased _____ Date Installed _____
Purchase Order No. _____ For Service Call _____

Date	Maintenance Performed	Performed by

Limited Warranty To Commercial Purchasers *

**(Domestic U.S., Hawaii &
Canadian Sales Only)**

Groen Foodservice Equipment ("Groen Equipment") has been skillfully manufactured, carefully inspected and packaged to meet rigid standards of excellence. Groen warrants its Equipment to be free from defects in material and workmanship for (12) twelve months with the following conditions and subject to the following limitations.

- I. This parts and labor warranty is limited to Groen Equipment sold to the original commercial purchaser/users (but not original equipment manufacturers), at its original place of installation in the continental United States, Hawaii and Canada.
- II. Damage during shipment is to be reported to the carrier, is not covered under this warranty, and is the sole responsibility of purchaser/user.
- III. Groen, or an authorized service representative, will repair or replace, at Groen's sole election, any Groen Equipment, including but not limited to, draw-off valves, safety valves, gas and electric components, found to be defective during the warranty period. As to warranty service in the territory described above, Groen will absorb labor and portal to portal transportation costs (time & mileage) for the first twelve (12) months from date of installation or fifteen (15) months from date of shipment from Groen.
- IV. This warranty does not cover boiler maintenance, calibration, periodic adjustments as specified in operating instructions or manuals, and consumable parts such as scraper blades, gaskets, packing, etc., or labor costs incurred for removal of adjacent equipment or objects to gain access to Groen Equipment. This warranty does not cover defects caused by improper installation, abuse, careless operation, or improper maintenance of equipment. This warranty does not cover damage caused by poor water quality or improper boiler maintenance.
- V. **THIS WARRANTY IS EXCLUSIVE AND IS IN LIEU OF ALL OTHER WARRANTIES, EXPRESSED OR IMPLIED, INCLUDING ANY IMPLIED WARRANTY OF MERCHANTABILITY OR FITNESS FOR A PARTICULAR PURPOSE, EACH OF WHICH IS HEREBY EXPRESSLY DISCLAIMED. THE REMEDIES DESCRIBED ABOVE ARE EXCLUSIVE AND IN NO EVENT SHALL GROEN BE LIABLE FOR SPECIAL, CONSEQUENTIAL OR INCIDENTAL DAMAGES FOR THE BREACH OR DELAY IN PERFORMANCE OF THIS WARRANTY.**
- VI. Groen Equipment is for commercial use only. If sold as a component of another (O.E.M.) manufacturer's equipment, or if used as a consumer product, such Equipment is sold AS IS and without any warranty.

*** (Covers All Foodservice Equipment Ordered After October 1, 1995)**



**1055 Mendell Davis Drive
Jackson, MS 39212
Telephone 601 372-3903
FAX 601 373-9587**

OM-HFP (Revised 9/99)
Part Number 121023 - Revision A