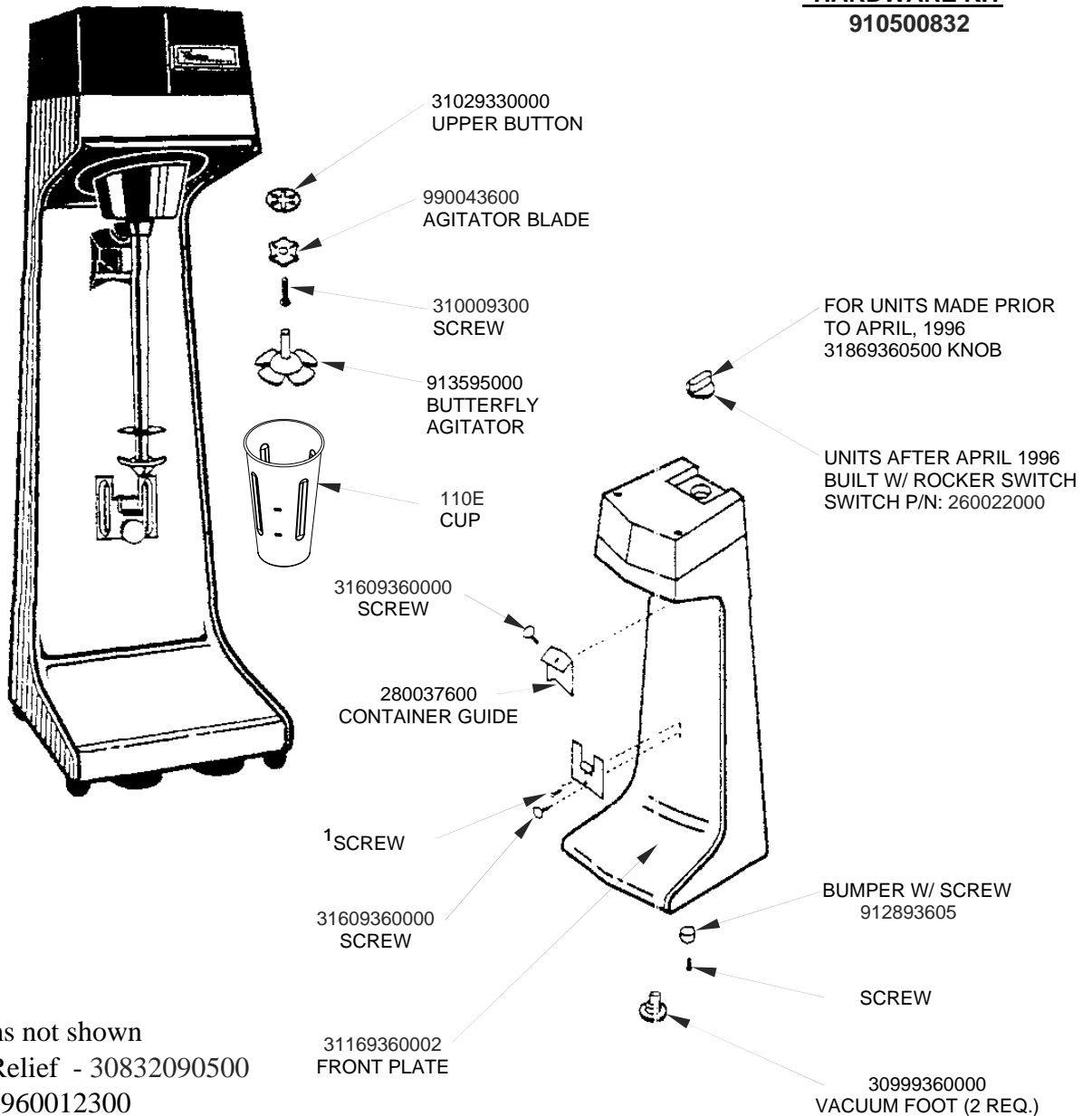


Replacement Parts Diagram Model 1G936 (Series A-C)

PROPRIETARY RIGHTS NOTICE This document and all information contained within it is the property of Hamilton Beach Brands, Inc. (HBB). It is confidential and proprietary and has been provided to you for a limited purpose. It must be returned or destroyed upon request. Disclosure, reproduction or use of this document and any information contained within it, in full or in part, for any purpose is forbidden without the prior written consent of HBB. No photographs may be taken of any article fabricated or assembled from this document without the prior written consent of HBB.

¹HARDWARE KIT 910500832



Notes: Items not shown

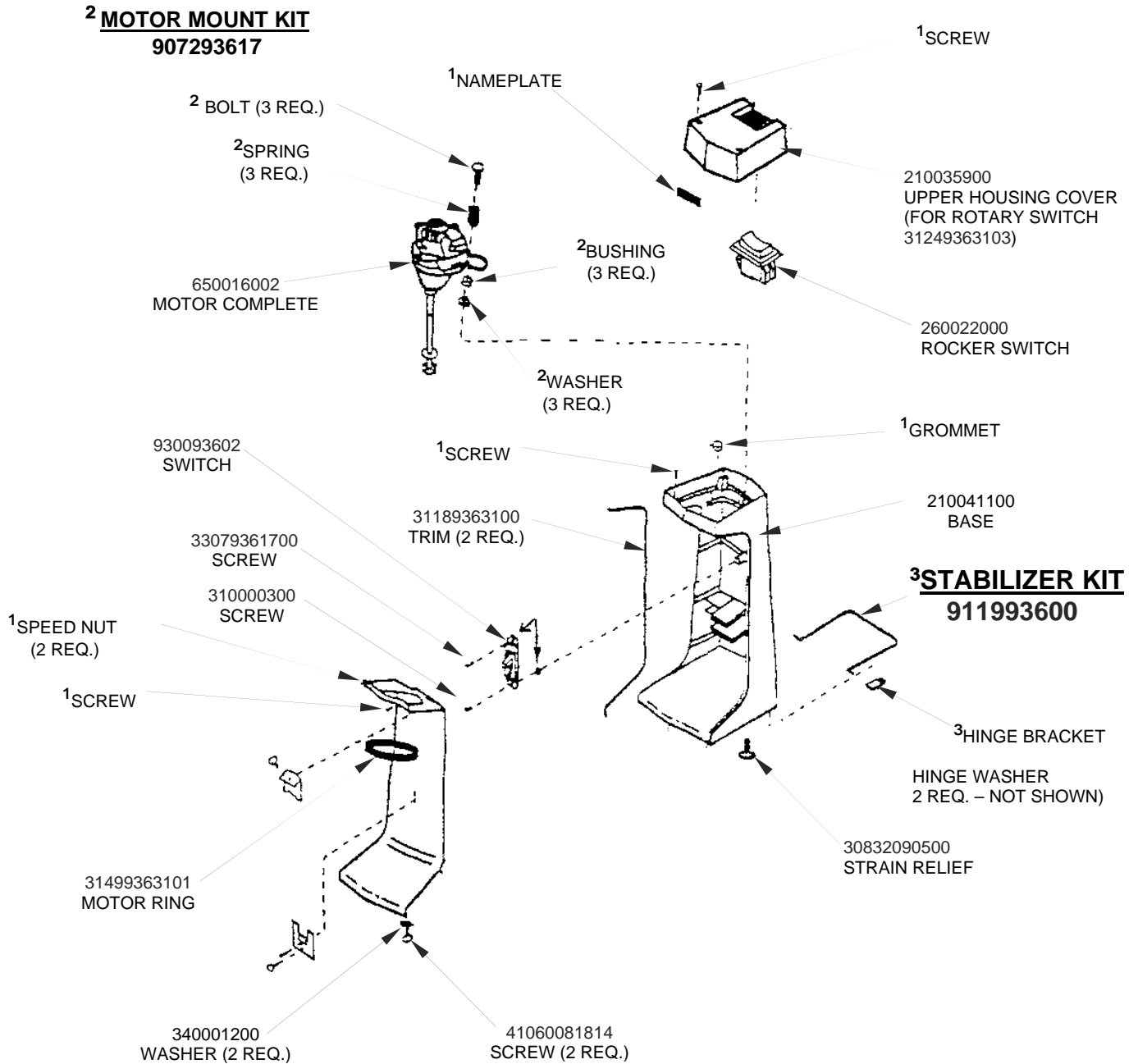
- Strain Relief - 30832090500
- Cord - 960012300
- RFI Filer - 966006613

 4421 Waterfront Drive Glen Allen, VA 23060	Revision Description:	Replaced 31409300000 with 990043600. Removed 280128200.				
	Request Number:	CME-2758	Revision Date:	7/19/10	Approved by:	CME-2758
	Issue Code(s):	CS, SP	Page:	1 of 3	Document #:	510003800
					Rev:	D

Replacement Parts Diagram

Model 1G936 (Series A-C)

PROPRIETARY RIGHTS NOTICE This document and all information contained within it is the property of Hamilton Beach Brands, Inc. (HBB). It is confidential and proprietary and has been provided to you for a limited purpose. It must be returned or destroyed upon request. Disclosure, reproduction or use of this document and any information contained within it, in full or in part, for any purpose is forbidden without the prior written consent of HBB. No photographs may be taken of any article fabricated or assembled from this document without the prior written consent of HBB.

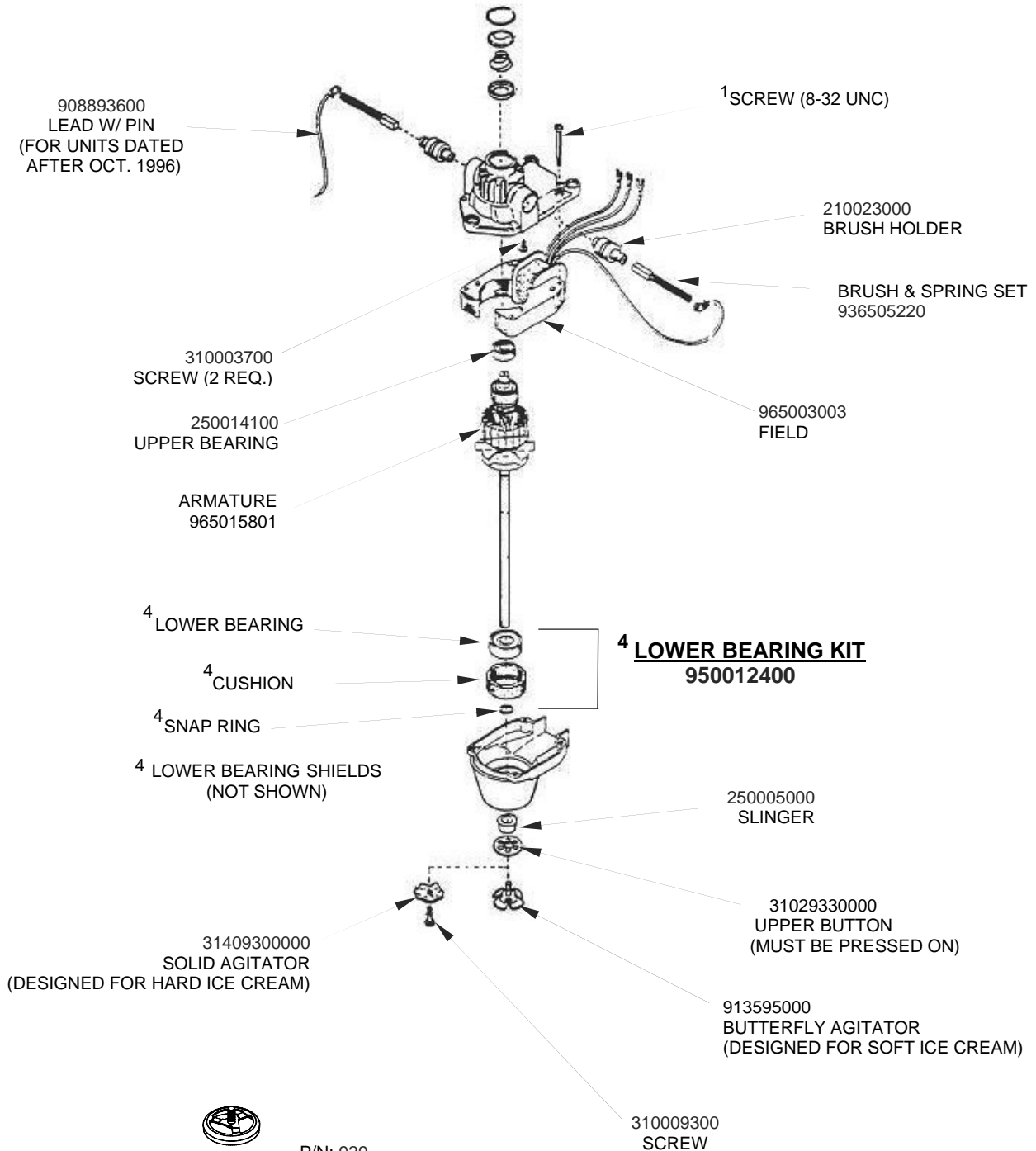


<p>Hamilton Beach 4421 Waterfront Drive Glen Allen, VA 23060</p>	Revision Description:		Replaced 31409300000 with 990043600. Removed 280128200.			
	Request Number:	CME-2758	Revision Date:	7/19/10	Approved by:	CME-2758
	Issue Code(s):	CS, SP	Page:	2 of 3	Document #:	510003800
					Rev:	D

Replacement Parts Diagram

Model 1G936 (Series A-C)

PROPRIETARY RIGHTS NOTICE This document and all information contained within it is the property of Hamilton Beach Brands, Inc. (HBB). It is confidential and proprietary and has been provided to you for a limited purpose. It must be returned or destroyed upon request. Disclosure, reproduction or use of this document and any information contained within it, in full or in part, for any purpose is forbidden without the prior written consent of HBB. No photographs may be taken of any article fabricated or assembled from this document without the prior written consent of HBB.



P/N: 929

OPTIONAL AGITATOR FOR ICE CREAM
(LARGER DIAMETER THAN SOLID AGITATOR)

<p>Hamilton Beach 4421 Waterfront Drive Glen Allen, VA 23060</p>	Revision Description:	Replaced 31409300000 with 990043600. Removed 280128200.				
	Request Number:	CME-2758	Revision Date:	7/19/10	Approved by:	CME-2758
	Issue Code(s):	CS, SP	Page:	3 of 3	Document #:	510003800
					Rev:	D