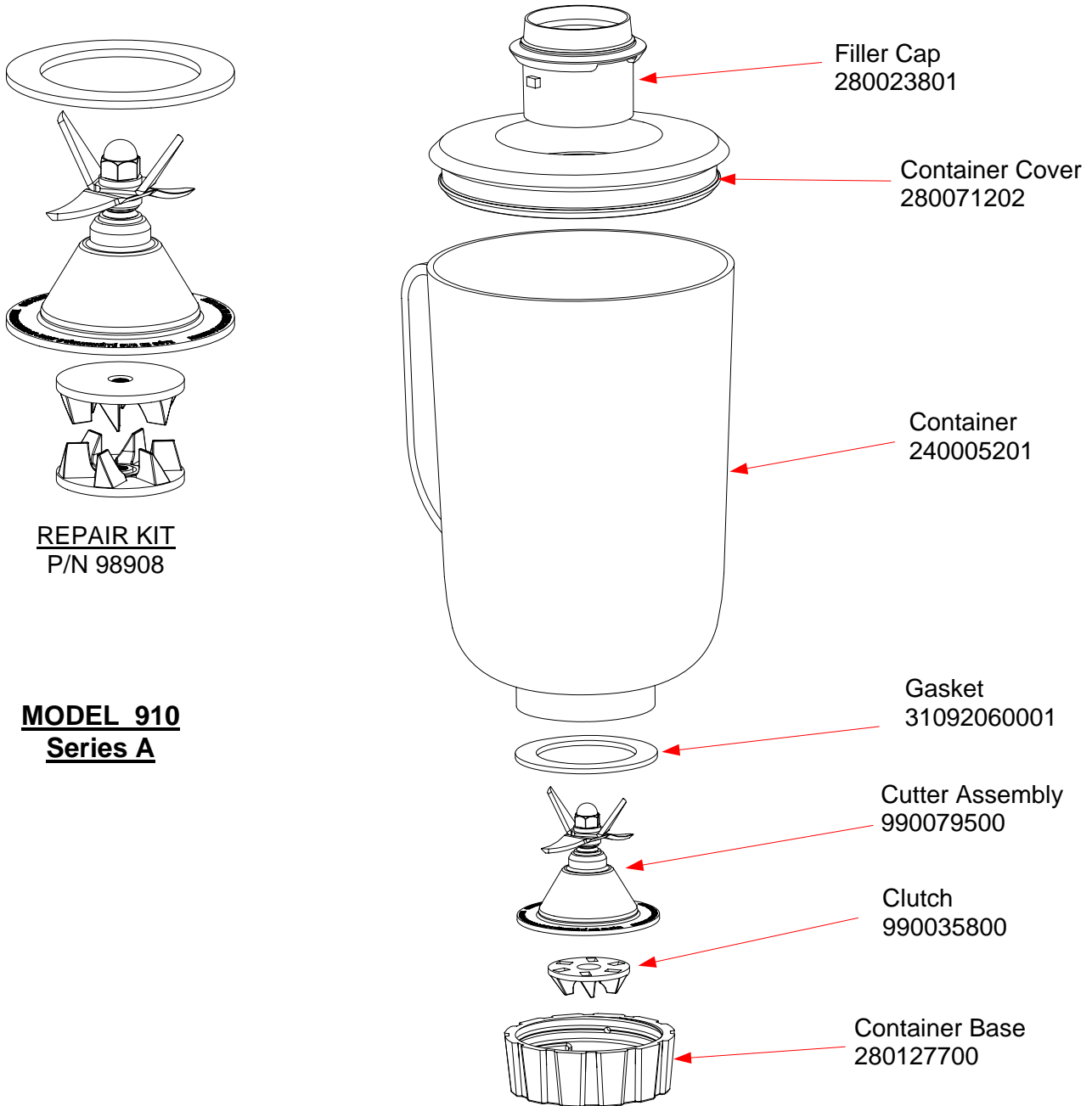


Replacement Parts Diagram

910


PROPRIETARY RIGHTS NOTICE This document and all information contained within it is the property of Hamilton Beach Brands, Inc. (HBB). It is confidential and proprietary and has been provided to you for a limited purpose. It must be returned or destroyed upon request. Disclosure, reproduction or use of this document and any information contained within it, in full or in part, for any purpose is forbidden without the prior written consent of HBB. No photographs may be taken of any article fabricated or assembled from this document without the prior written consent of HBB.



REPAIR KIT
P/N 98908

MODEL 910
Series A

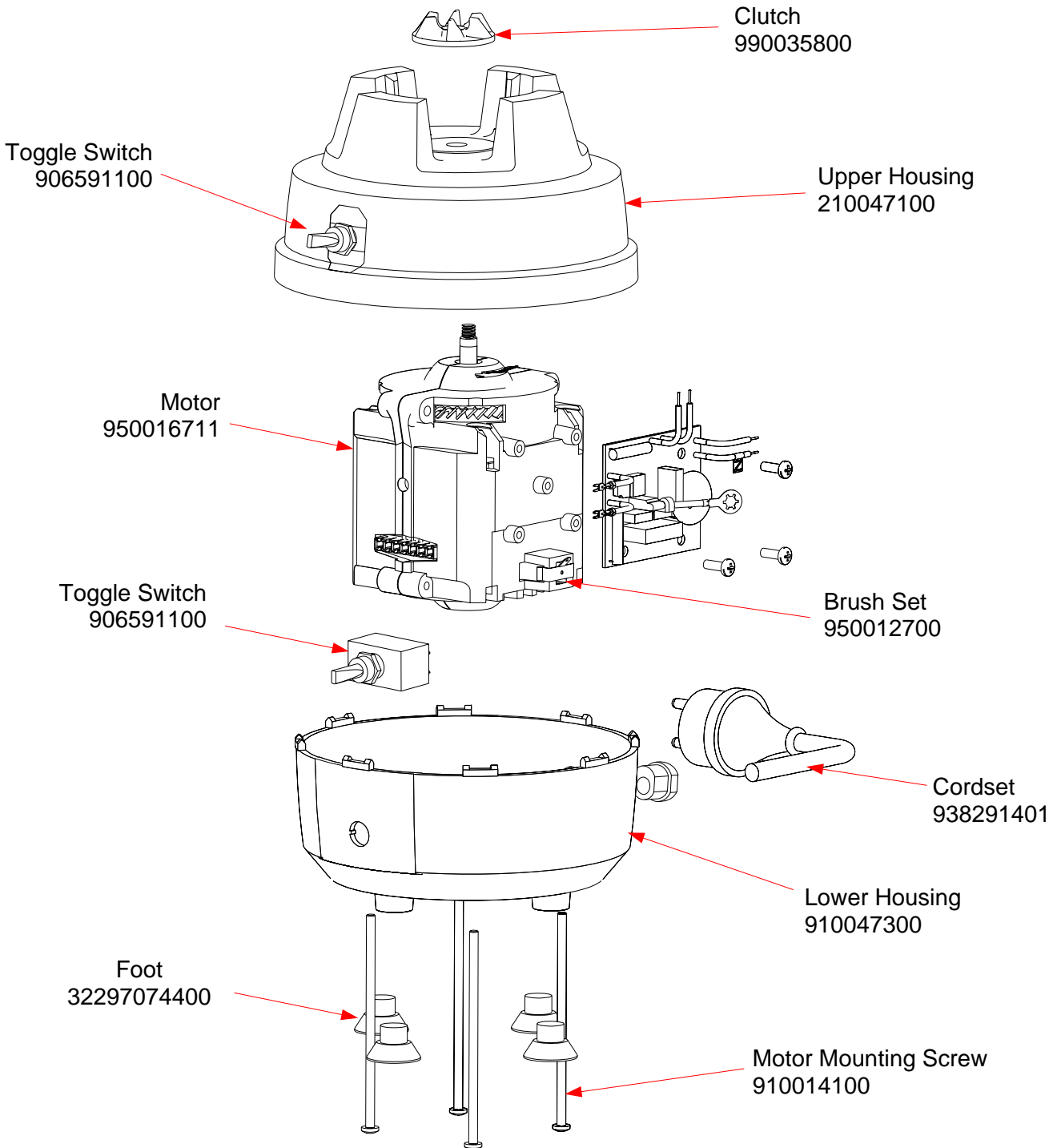
COMPLETE ASSEMBLY 6126-910


 4421 Waterfront Drive Glen Allen, VA 23060	Revision Description:		Changed cutter assembly part numbers					
	Request Number:	CME-2711	Revision Date:	7/21/08	Approved by:			
	Issue Code(s):	CS, SP	Page:	1 of 2	Document #:	5100107XX	Rev:	D

Replacement Parts Diagram

910

PROPRIETARY RIGHTS NOTICE This document and all information contained within it is the property of Hamilton Beach Brands, Inc. (HBB). It is confidential and proprietary and has been provided to you for a limited purpose. It must be returned or destroyed upon request. Disclosure, reproduction or use of this document and any information contained within it, in full or in part, for any purpose is forbidden without the prior written consent of HBB. No photographs may be taken of any article fabricated or assembled from this document without the prior written consent of HBB.



 <p>Hamilton Beach 4421 Waterfront Drive Glen Allen, VA 23060</p>	Revision Description:		Changed cutter assembly part numbers					
	Request Number:	CME-2711	Revision Date:	7/21/08	Approved by:			
	Issue Code(s):	CS, SP	Page:	2 of 2	Document #:	5100107XX	Rev:	D