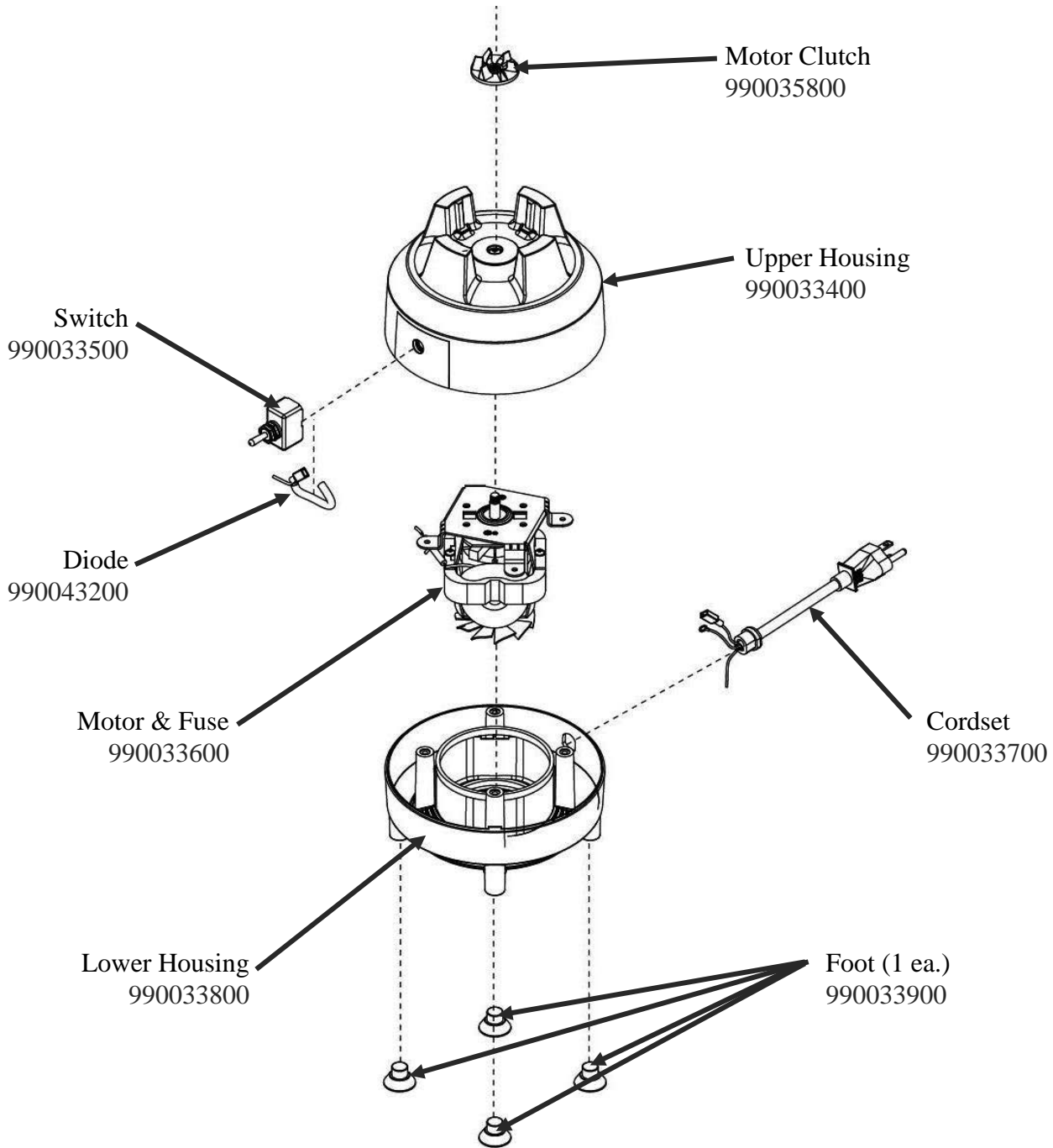



Parts & Accessories Diagram

HBB908

PROPRIETARY RIGHTS NOTICE This document and all information contained within it is the property of Hamilton Beach Brands, Inc. (HBB). It is confidential and proprietary and has been provided to you for a limited purpose. It must be returned or destroyed upon request. Disclosure, reproduction or use of this document and any information contained within it, in full or in part, for any purpose is forbidden without the prior written consent of HBB. No photographs may be taken of any article fabricated or assembled from this document without the prior written consent of HBB.



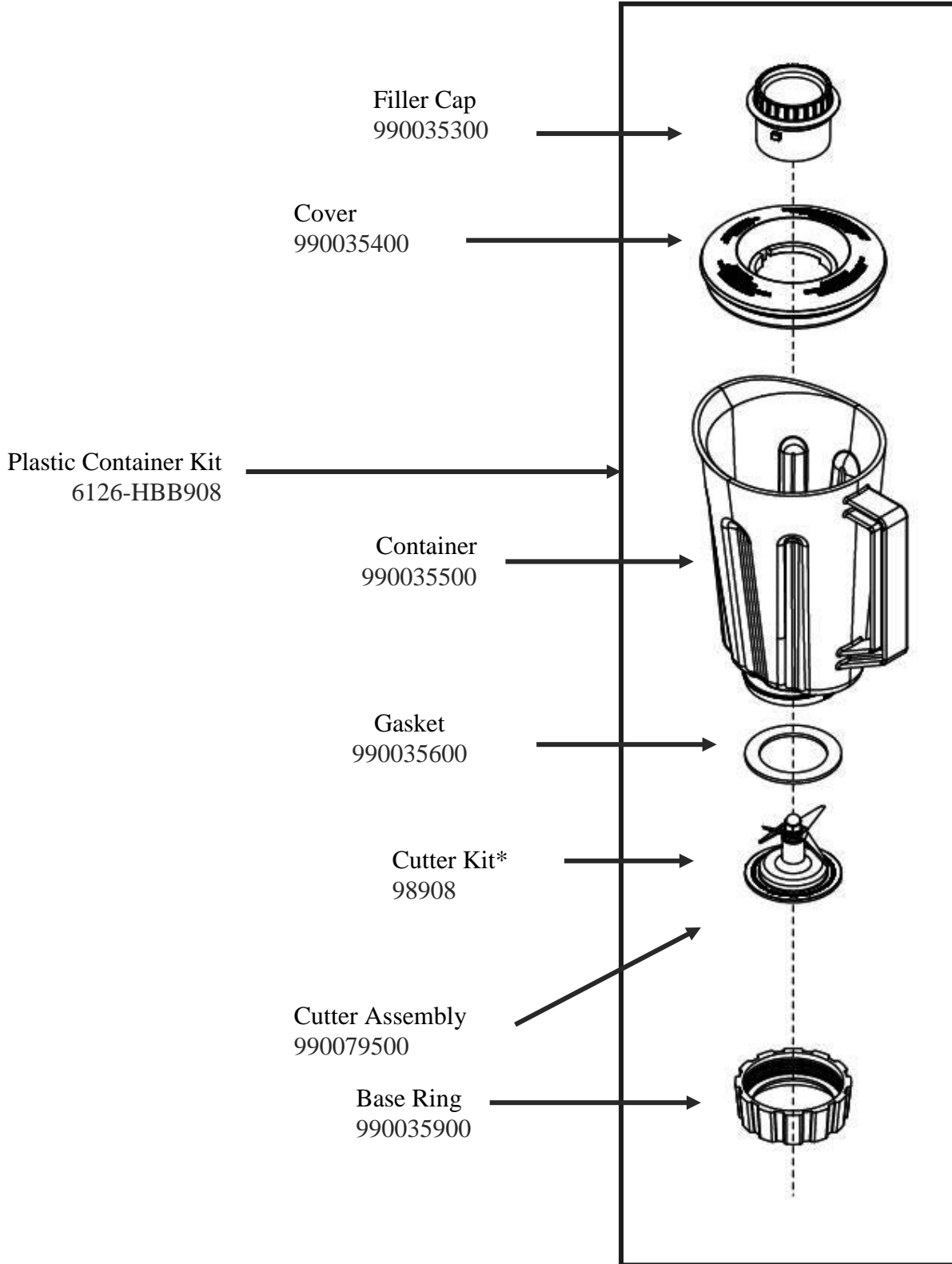
Not Shown:
Motor Brush Kit
 990075100


 Hamilton Beach 4421 Waterfront Drive Glen Allen, VA 23060	Revision Description:		Production Release				
	Request Number:	DOC4098	Revision Date:	9/25/13	Approved by:	DOC4098	
	Issue Code(s):	CS, SP	Page:	1 of 3	Document #:	540010100	Rev:

Parts & Accessories Diagram

HBB908

PROPRIETARY RIGHTS NOTICE This document and all information contained within it is the property of Hamilton Beach Brands, Inc. (HBB). It is confidential and proprietary and has been provided to you for a limited purpose. It must be returned or destroyed upon request. Disclosure, reproduction or use of this document and any information contained within it, in full or in part, for any purpose is forbidden without the prior written consent of HBB. No photographs may be taken of any article fabricated or assembled from this document without the prior written consent of HBB.



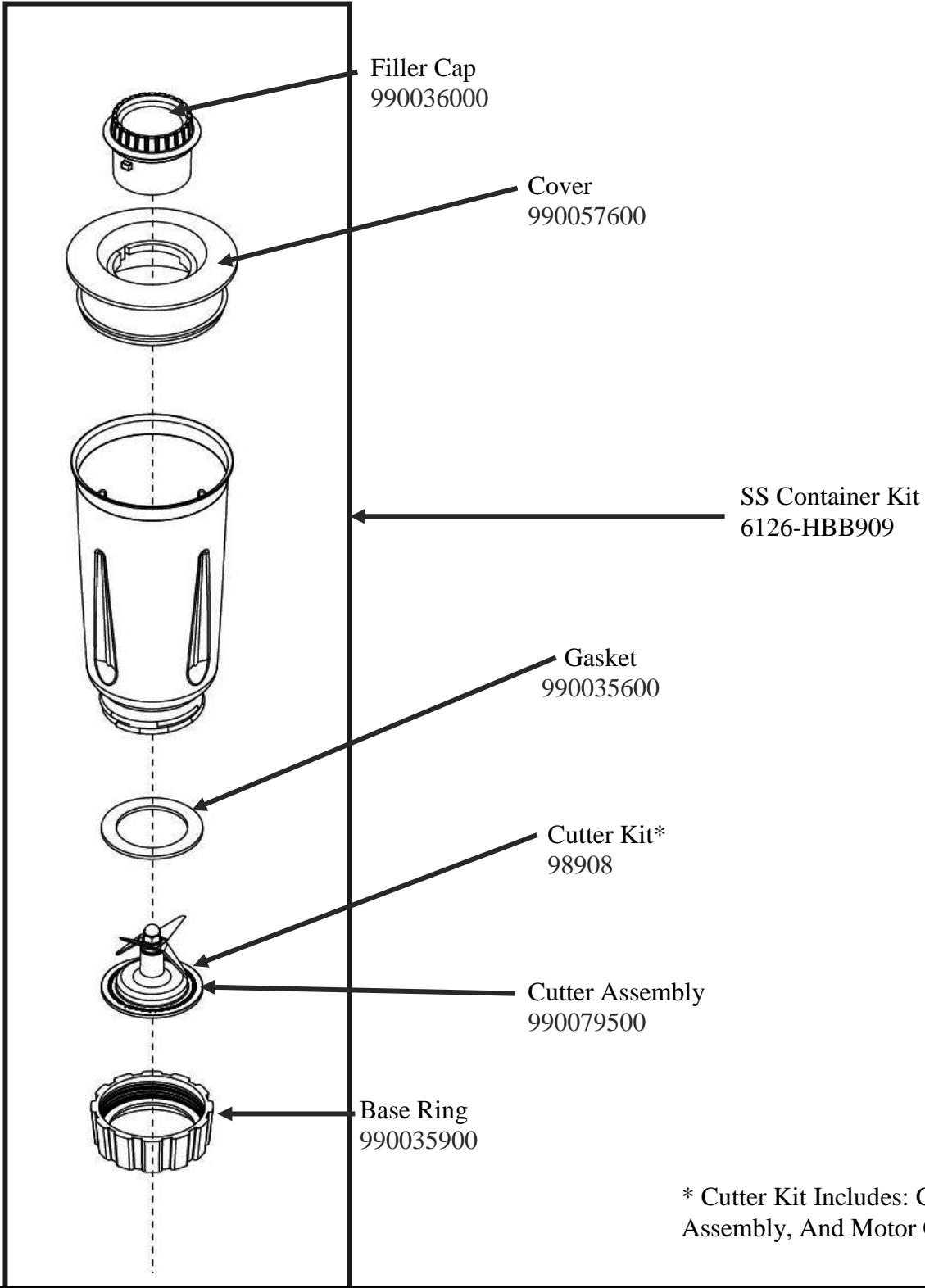
 4421 Waterfront Drive Glen Allen, VA 23060	Revision Description:		Production Release						
	Request Number:		DOC4098	Revision Date:		9/25/13	Approved by:		DOC4098
	Issue Code(s):		CS, SP	Page:	2 of 3	Document #:	540010100		Rev:

Parts & Accessories Diagram

HBB908

PROPRIETARY RIGHTS NOTICE This document and all information contained within it is the property of Hamilton Beach Brands, Inc. (HBB). It is confidential and proprietary and has been provided to you for a limited purpose. It must be returned or destroyed upon request. Disclosure, reproduction or use of this document and any information contained within it, in full or in part, for any purpose is forbidden without the prior written consent of HBB. No photographs may be taken of any article fabricated or assembled from this document without the prior written consent of HBB.

Accessories



* Cutter Kit Includes: Gasket, Cutter Assembly, And Motor Clutch

Hamilton Beach 4421 Waterfront Drive Glen Allen, VA 23060	Revision Description:	Production Release					
	Request Number:	DOC4098	Revision Date:	9/25/13	Approved by:	DOC4098	
	Issue Code(s):	CS, SP	Page:	3 of 3	Document #:	540010100	Rev: