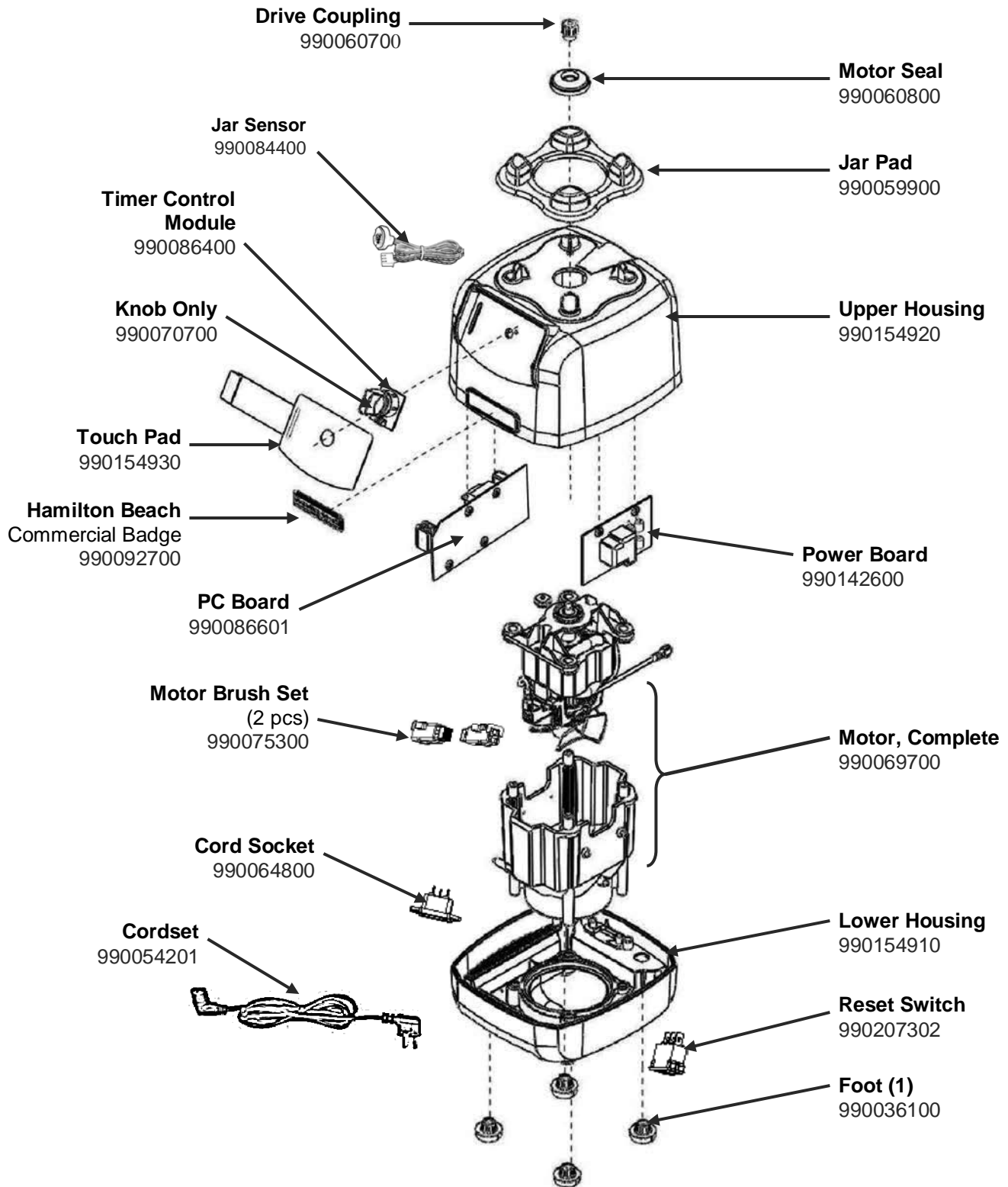



Parts and Accessories Diagram HBH650-CCC

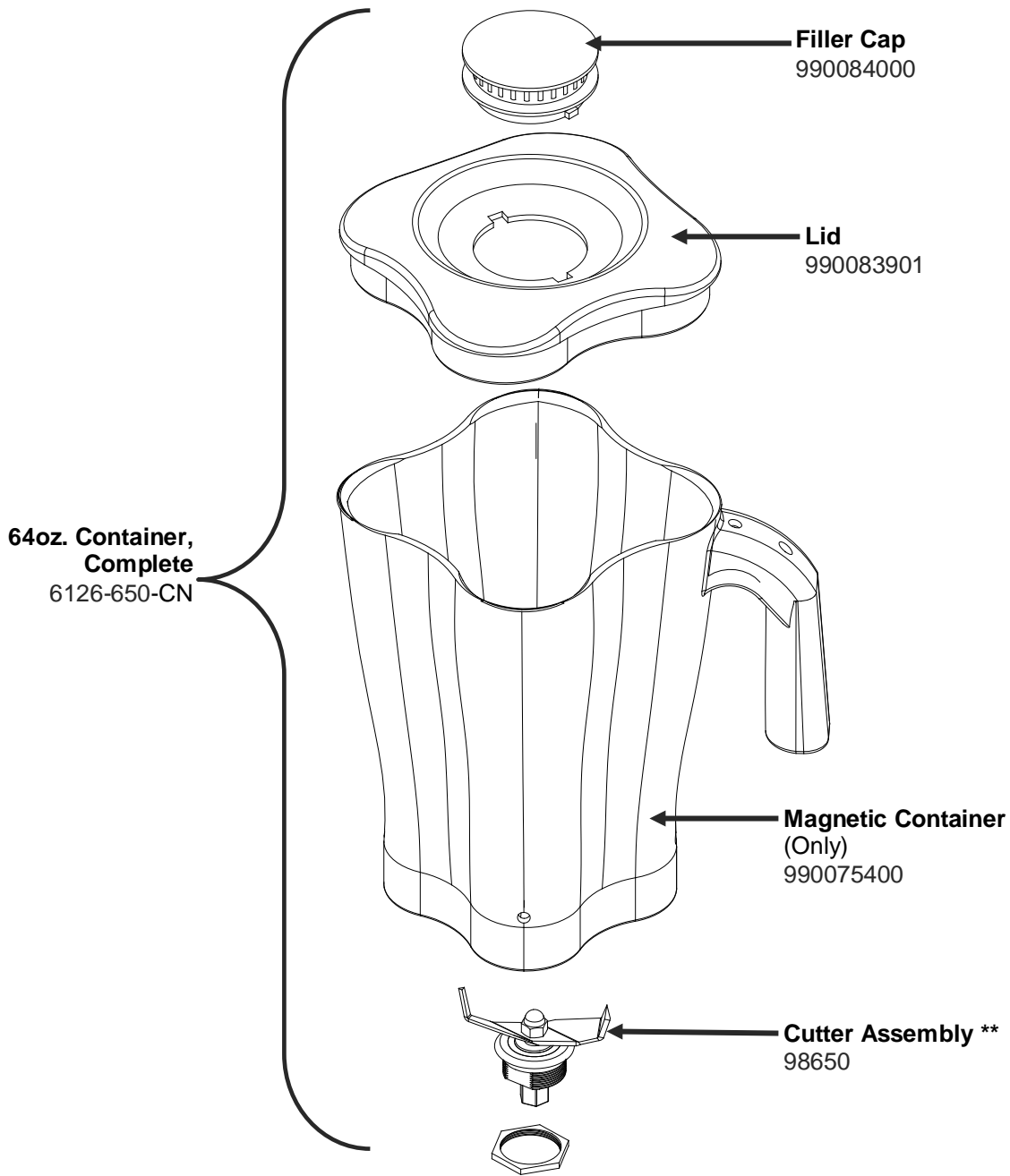
PROPRIETARY RIGHTS NOTICE This document and all information contained within it is the property of Hamilton Beach Brands, Inc. (HBB). It is confidential and proprietary and has been provided to you for a limited purpose. It must be returned or destroyed upon request. Disclosure, reproduction or use of this document and any information contained within it, in full or in part, for any purpose is forbidden without the prior written consent of HBB. No photographs may be taken of any article fabricated or assembled from this document without the prior written consent of HBB.



 Hamilton Beach 4421 Waterfront Drive Glen Allen, VA 23060	Revision Description:	Update PC Board Part Number					
	Request Number:	DOC7528	Revision Date:	02/28/2017	Approved by:	DOC7528	
	Issue Code(s):		Page:	1 of 3	Document #:	540043000	Rev:

Parts and Accessories Diagram HBH650-CCC


PROPRIETARY RIGHTS NOTICE This document and all information contained within it is the property of Hamilton Beach Brands, Inc. (HBB). It is confidential and proprietary and has been provided to you for a limited purpose. It must be returned or destroyed upon request. Disclosure, reproduction or use of this document and any information contained within it, in full or in part, for any purpose is forbidden without the prior written consent of HBB. No photographs may be taken of any article fabricated or assembled from this document without the prior written consent of HBB.



Notes:

*Complete Container Includes: Cutter Assembly, Container, Lid and Filler Cap

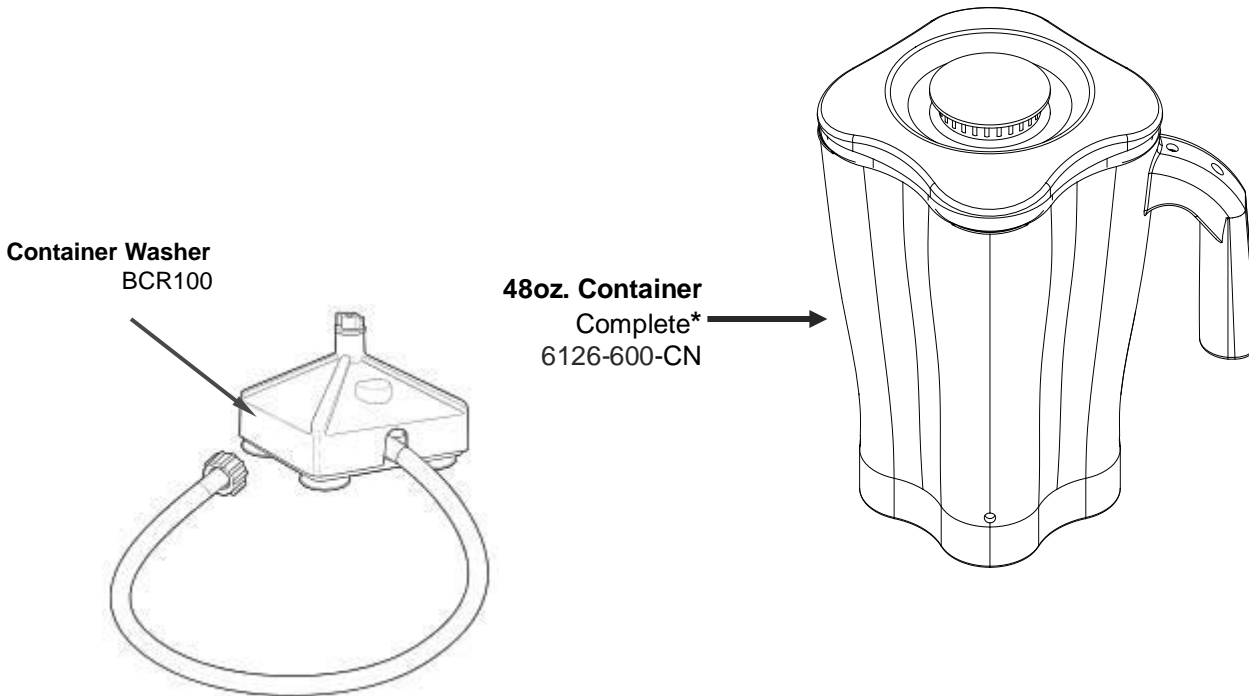
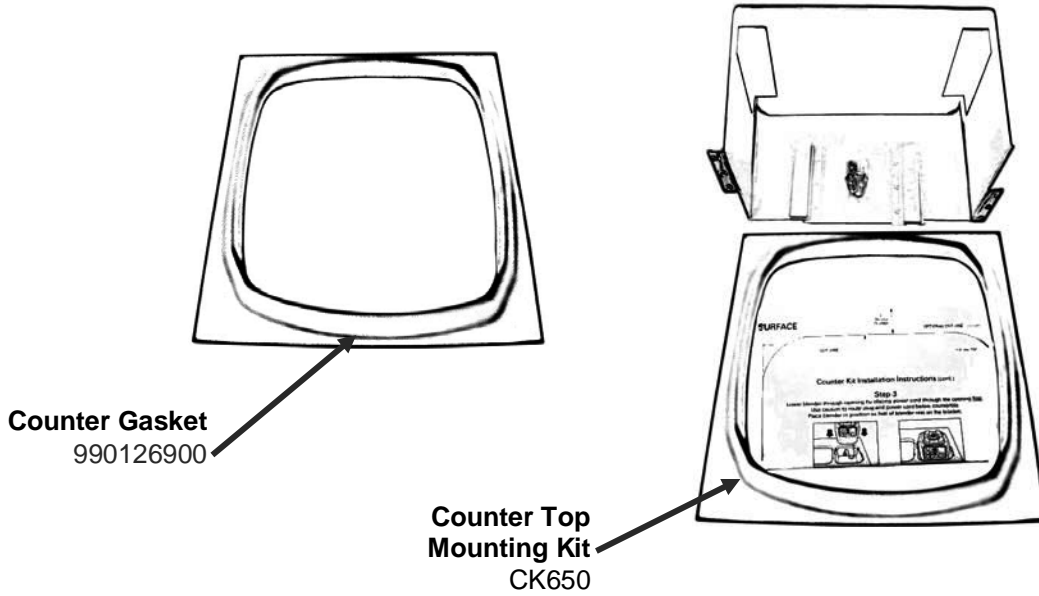
**Cutter Assembly Includes: Blade, Lock Washer, Hex Nut, Drive Coupling Attachment and Cutter Bearing Assembly.

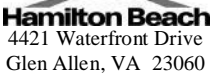
 4421 Waterfront Drive Glen Allen, VA 23060	Revision Description:	Update PC Board Part Number					
	Request Number:	DOC7528	Revision Date:	02/28/2017	Approved by:	DOC7528	
	Issue Code(s):		Page:	2 of 3	Document #:	540043000	Rev:

Parts and Accessories Diagram HBH650-CCC

PROPRIETARY RIGHTS NOTICE This document and all information contained within it is the property of Hamilton Beach Brands, Inc. (HBB). It is confidential and proprietary and has been provided to you for a limited purpose. It must be returned or destroyed upon request. Disclosure, reproduction or use of this document and any information contained within it, in full or in part, for any purpose is forbidden without the prior written consent of HBB. No photographs may be taken of any article fabricated or assembled from this document without the prior written consent of HBB.

ACCESSORIES



 4421 Waterfront Drive Glen Allen, VA 23060	Revision Description:	Update PC Board Part Number					
	Request Number:	DOC7528	Revision Date:	02/28/2017	Approved by:	DOC7528	
	Issue Code(s):		Page:	3 of 3	Document #:	540043000	Rev: