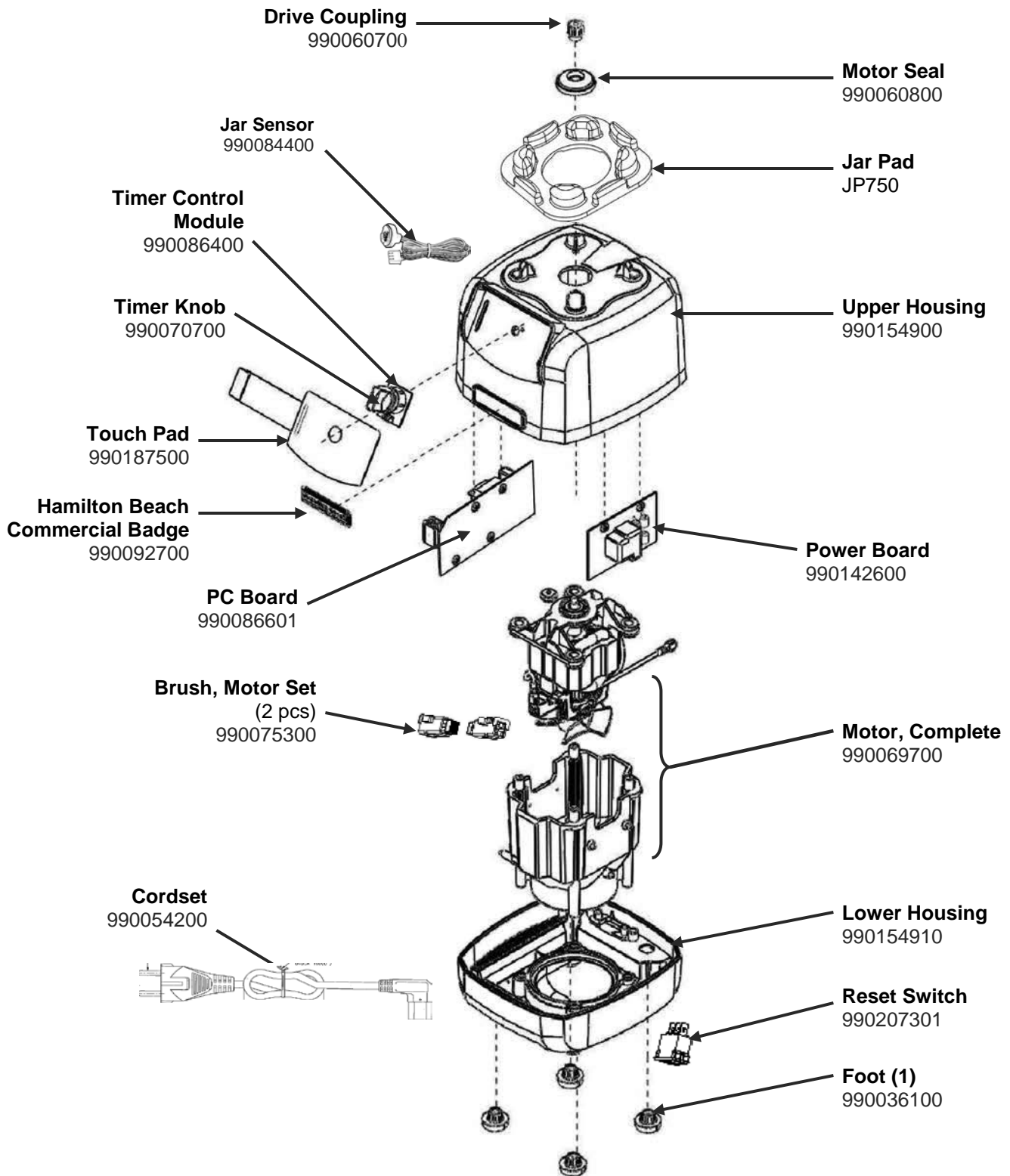



Parts and Accessories Diagram HBH650-FRA

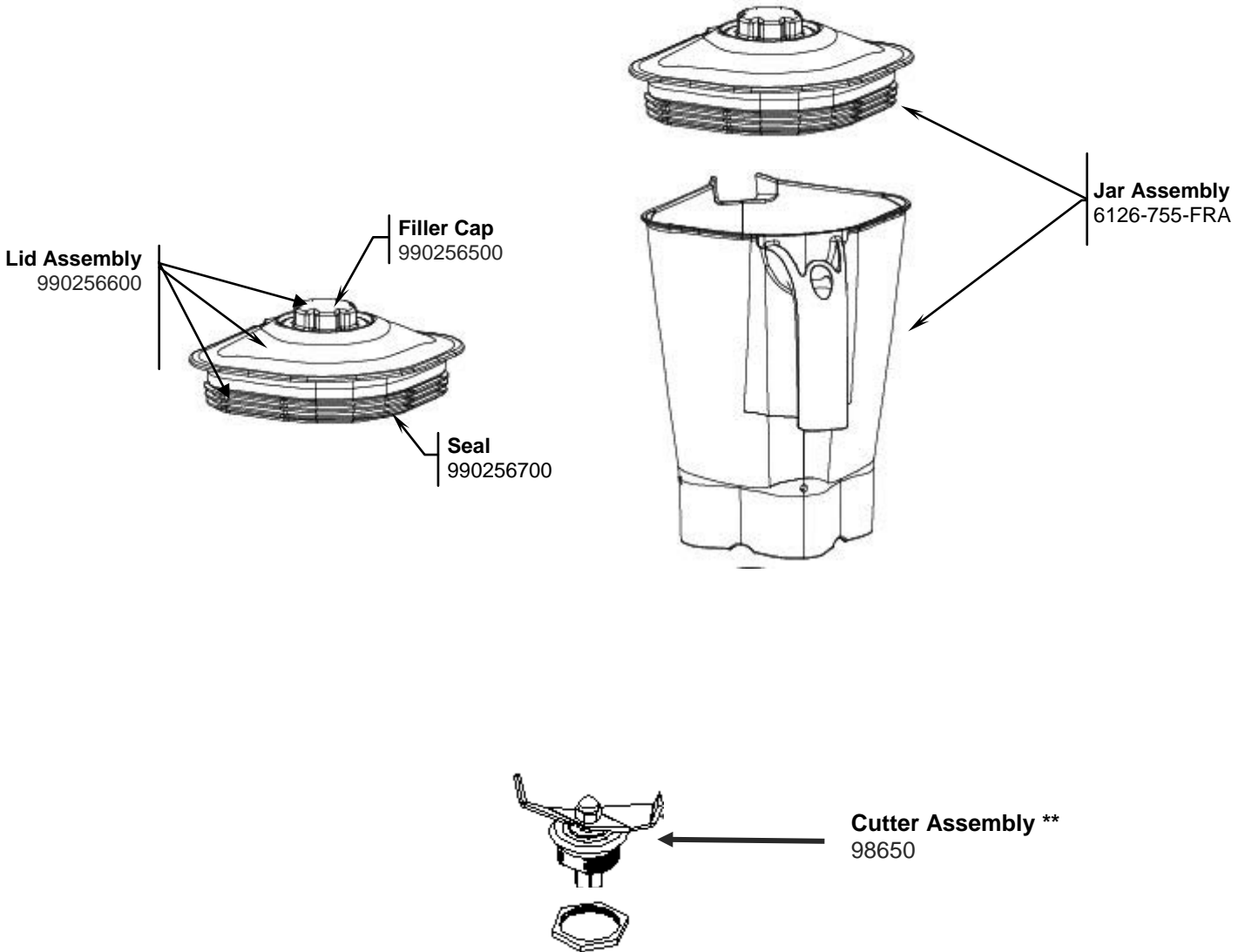
PROPRIETARY RIGHTS NOTICE This document and all information contained within it is the property of Hamilton Beach Brands, Inc. (HBB). It is confidential and proprietary and has been provided to you for a limited purpose. It must be returned or destroyed upon request. Disclosure, reproduction or use of this document and any information contained within it, in full or in part, for any purpose is forbidden without the prior written consent of HBB. No photographs may be taken of any article fabricated or assembled from this document without the prior written consent of HBB.



 Hamilton Beach 4421 Waterfront Drive Glen Allen, VA 23060	Revision Description:	Change Jar and Jar Pad					
	Request Number:	DOC8217	Revision Date:	10/02/2017	Approved by:	DOC8217	
	Issue Code(s):		Page:	1 of 3	Document #:	540069050	Rev:


Parts and Accessories Diagram HBH650-FRA

PROPRIETARY RIGHTS NOTICE This document and all information contained within it is the property of Hamilton Beach Brands, Inc. (HBB). It is confidential and proprietary and has been provided to you for a limited purpose. It must be returned or destroyed upon request. Disclosure, reproduction or use of this document and any information contained within it, in full or in part, for any purpose is forbidden without the prior written consent of HBB. No photographs may be taken of any article fabricated or assembled from this document without the prior written consent of HBB.



Notes:

**Cutter Assembly Includes: Blade, Lock Washer, Hex Nut, Drive Coupling Attachment and Cutter Bearing Assembly.

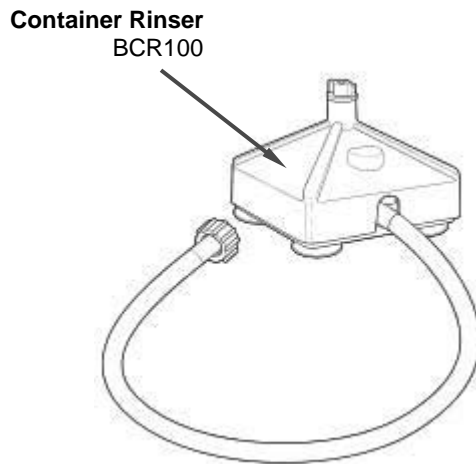
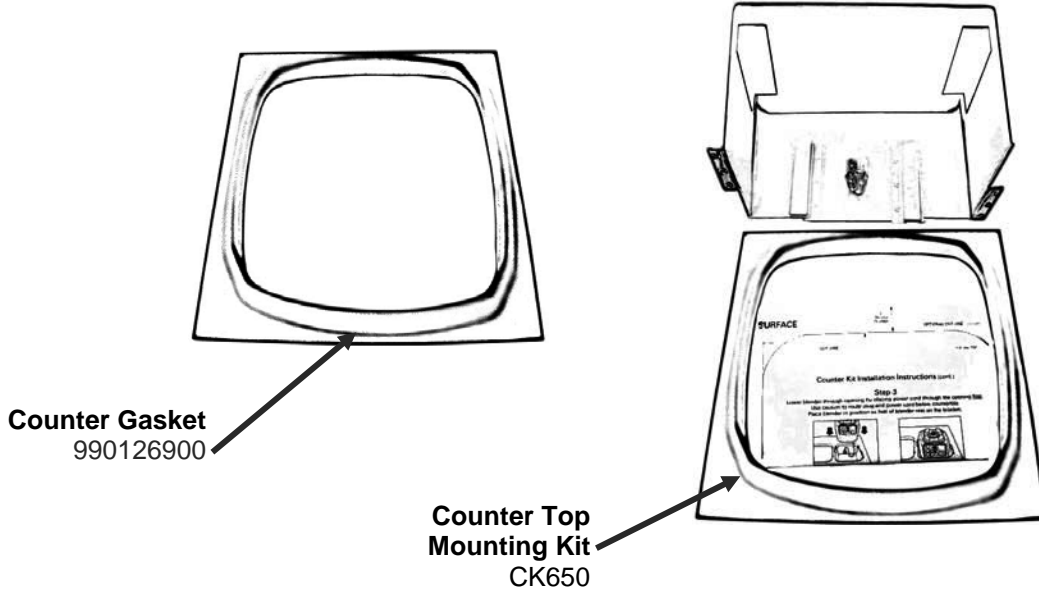
 Hamilton Beach 4421 Waterfront Drive Glen Allen, VA 23060	Revision Description: Change Jar and Jar Pad		Request Number: DOC8217		Revision Date: 10/02/2017	Approved by: DOC8217
	Issue Code(s):		Page: 2 of 3	Document #: 540069050	Rev: E	


Parts and Accessories Diagram

HBH650-FRA

PROPRIETARY RIGHTS NOTICE This document and all information contained within it is the property of Hamilton Beach Brands, Inc. (HBB). It is confidential and proprietary and has been provided to you for a limited purpose. It must be returned or destroyed upon request. Disclosure, reproduction or use of this document and any information contained within it, in full or in part, for any purpose is forbidden without the prior written consent of HBB. No photographs may be taken of any article fabricated or assembled from this document without the prior written consent of HBB.

ACCESSORIES



 Hamilton Beach 4421 Waterfront Drive Glen Allen, VA 23060	Revision Description:		Change Jar and Jar Pad					
	Request Number:	DOC8217	Revision Date:	10/02/2017	Approved by:	DOC8217		
	Issue Code(s):		Page:	3 of 3	Document #:	540069050	Rev:	E