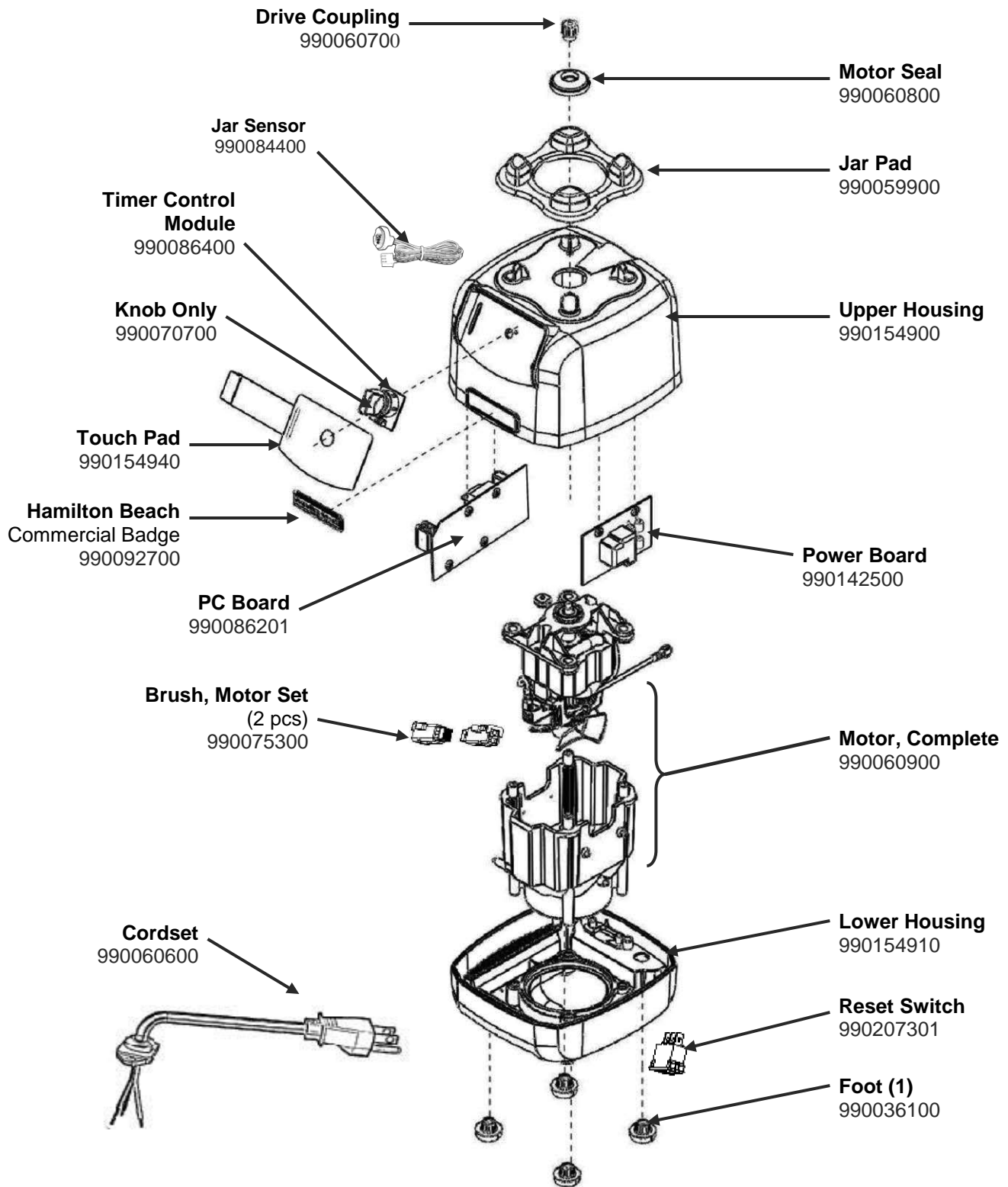



Parts and Accessories Diagram HBH650

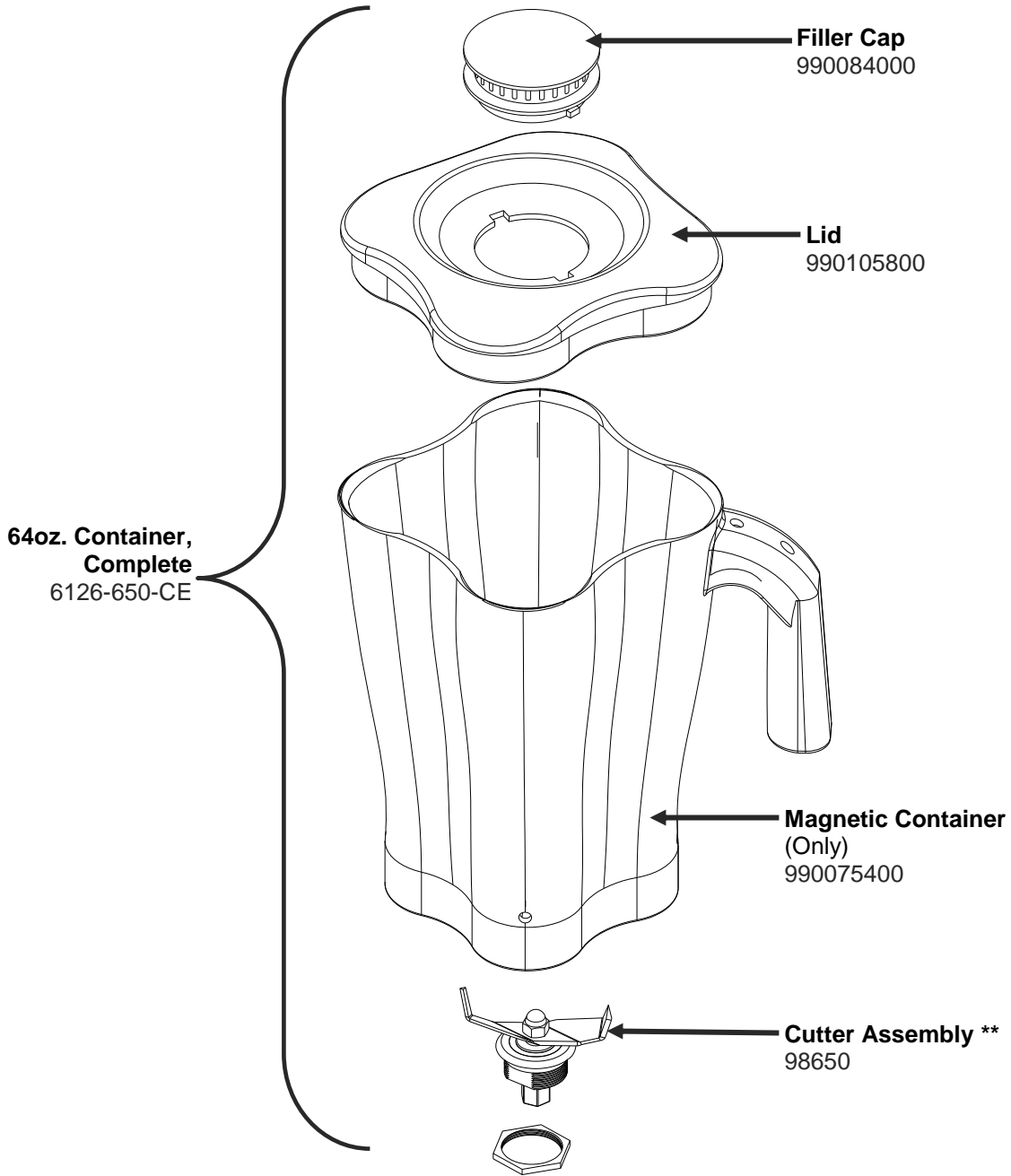
PROPRIETARY RIGHTS NOTICE This document and all information contained within it is the property of Hamilton Beach Brands, Inc. (HBB). It is confidential and proprietary and has been provided to you for a limited purpose. It must be returned or destroyed upon request. Disclosure, reproduction or use of this document and any information contained within it, in full or in part, for any purpose is forbidden without the prior written consent of HBB. No photographs may be taken of any article fabricated or assembled from this document without the prior written consent of HBB.



 4421 Waterfront Drive Glen Allen, VA 23060	Revision Description:	Show new reset switch CARE part number.				
	Request Number:	DOC7431	Revision Date:	2/8/2017	Approved by:	DOC7431
	Issue Code(s):		Page:	1 of 3	Document #:	540038000
					Rev:	D

Parts and Accessories Diagram HBH650


PROPRIETARY RIGHTS NOTICE This document and all information contained within it is the property of Hamilton Beach Brands, Inc. (HBB). It is confidential and proprietary and has been provided to you for a limited purpose. It must be returned or destroyed upon request. Disclosure, reproduction or use of this document and any information



Notes:

*Complete Container Includes: Cutter Assembly, Container, Lid and Filler Cap

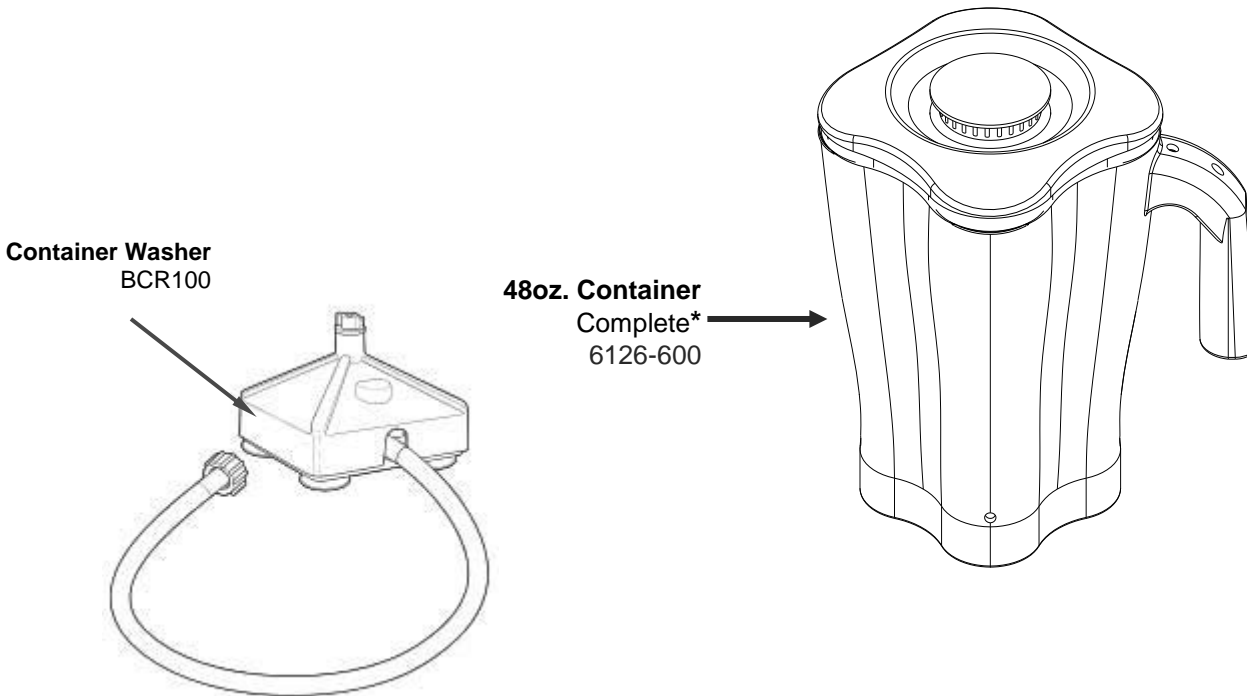
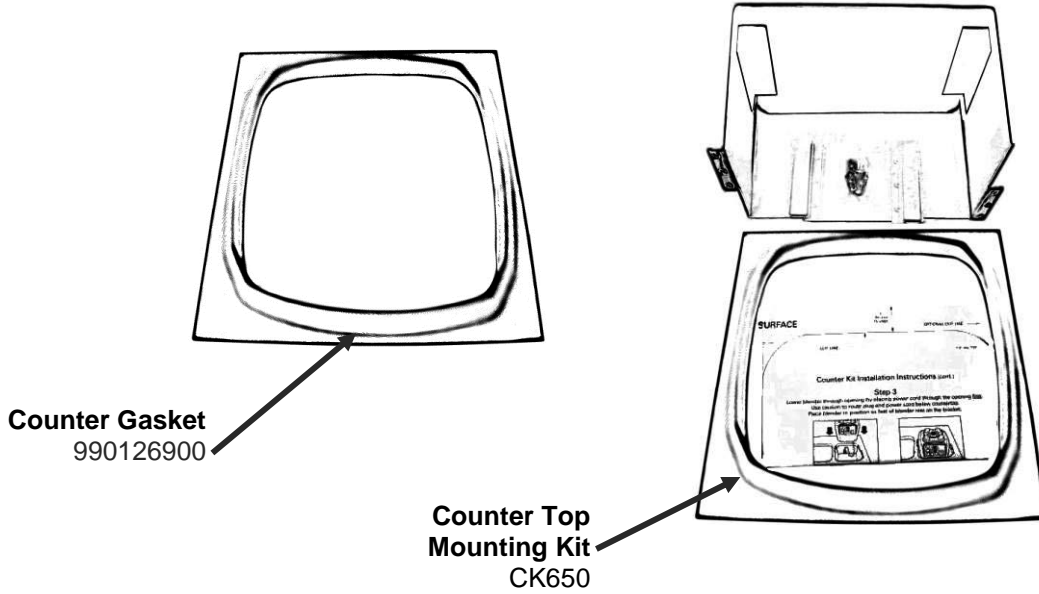
**Cutter Assembly Includes: Blade, Lock Washer, Hex Nut, Drive Coupling Attachment and Cutter Bearing Assembly.


 4421 Waterfront Drive Glen Allen, VA 23060	Revision Description:	Show new reset switch CARE part number.					
	Request Number:	DOC7431	Revision Date:	2/8/2017	Approved by:	DOC7431	
	Issue Code(s):		Page:	2 of 3	Document #:	540038000	Rev:

Parts and Accessories Diagram HBH650

PROPRIETARY RIGHTS NOTICE This document and all information contained within it is the property of Hamilton Beach Brands, Inc. (HBB). It is confidential and proprietary and has been provided to you for a limited purpose. It must be returned or destroyed upon request. Disclosure, reproduction or use of this document and any information contained within it, in full or in part, for any purpose is forbidden without the prior written consent of HBB. No photographs may be taken of any article fabricated or assembled from this document without the prior written consent of HBB.

ACCESSORIES



 4421 Waterfront Drive Glen Allen, VA 23060	Revision Description:	Show new reset switch CARE part number.				
	Request Number:	DOC7431	Revision Date:	2/8/2017	Approved by:	DOC7431
	Issue Code(s):		Page:	3 of 3	Document #:	540038000
					Rev:	D