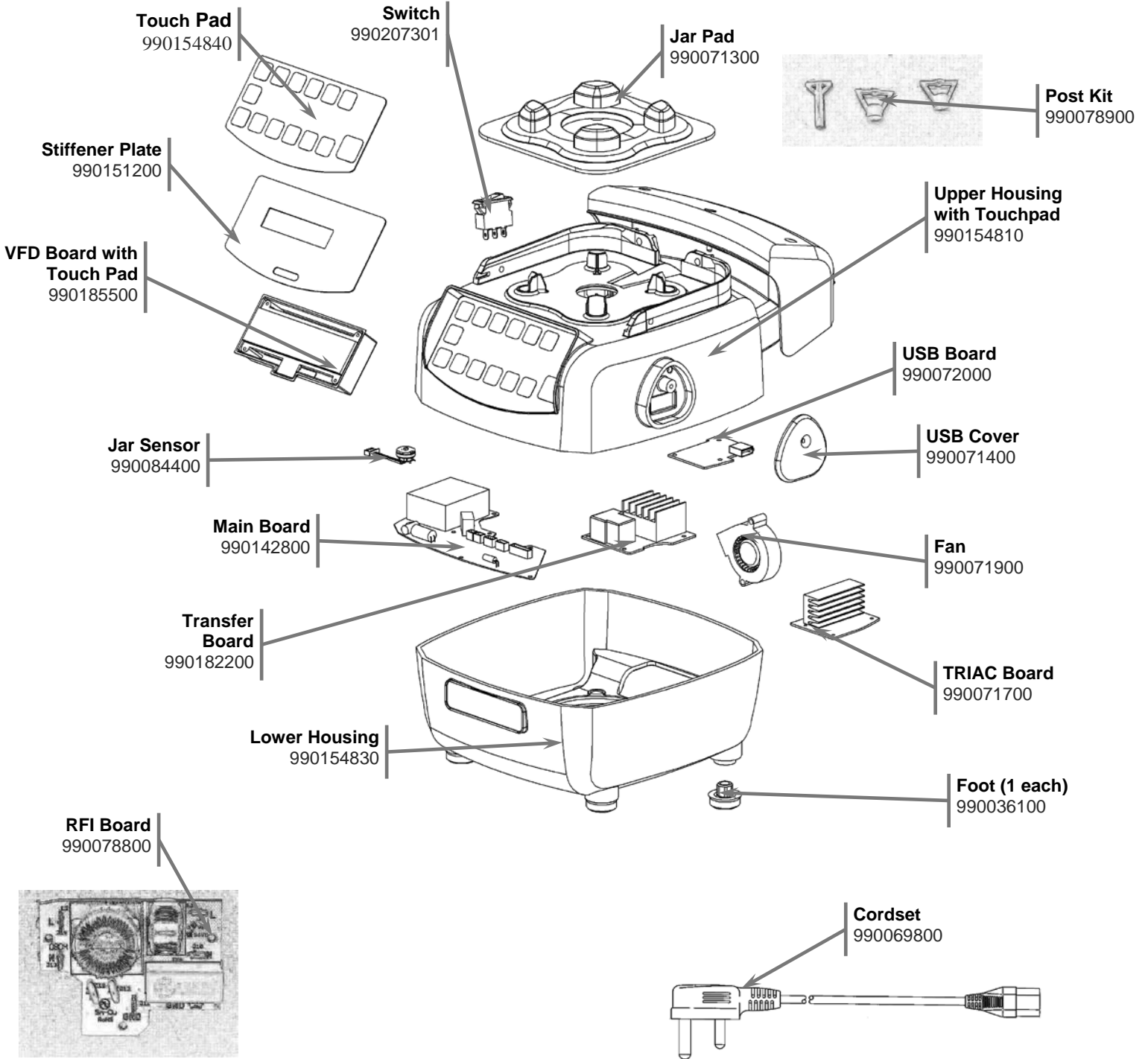


# Parts and Accesories Diagram

## Model HBH850-FRA

**PROPRIETARY RIGHTS NOTICE** This document and all information contained within it is the property of Hamilton Beach Brands, Inc. (HBB). It is confidential and proprietary and has been provided to you for a limited purpose. It must be returned or destroyed upon request. Disclosure, reproduction or use of this document and any information contained within it, in full or in part, for any purpose is forbidden without the prior written consent of HBB. No photographs may be taken of any article fabricated or assembled from this document without the prior written consent of HBB.

### Replacement Parts

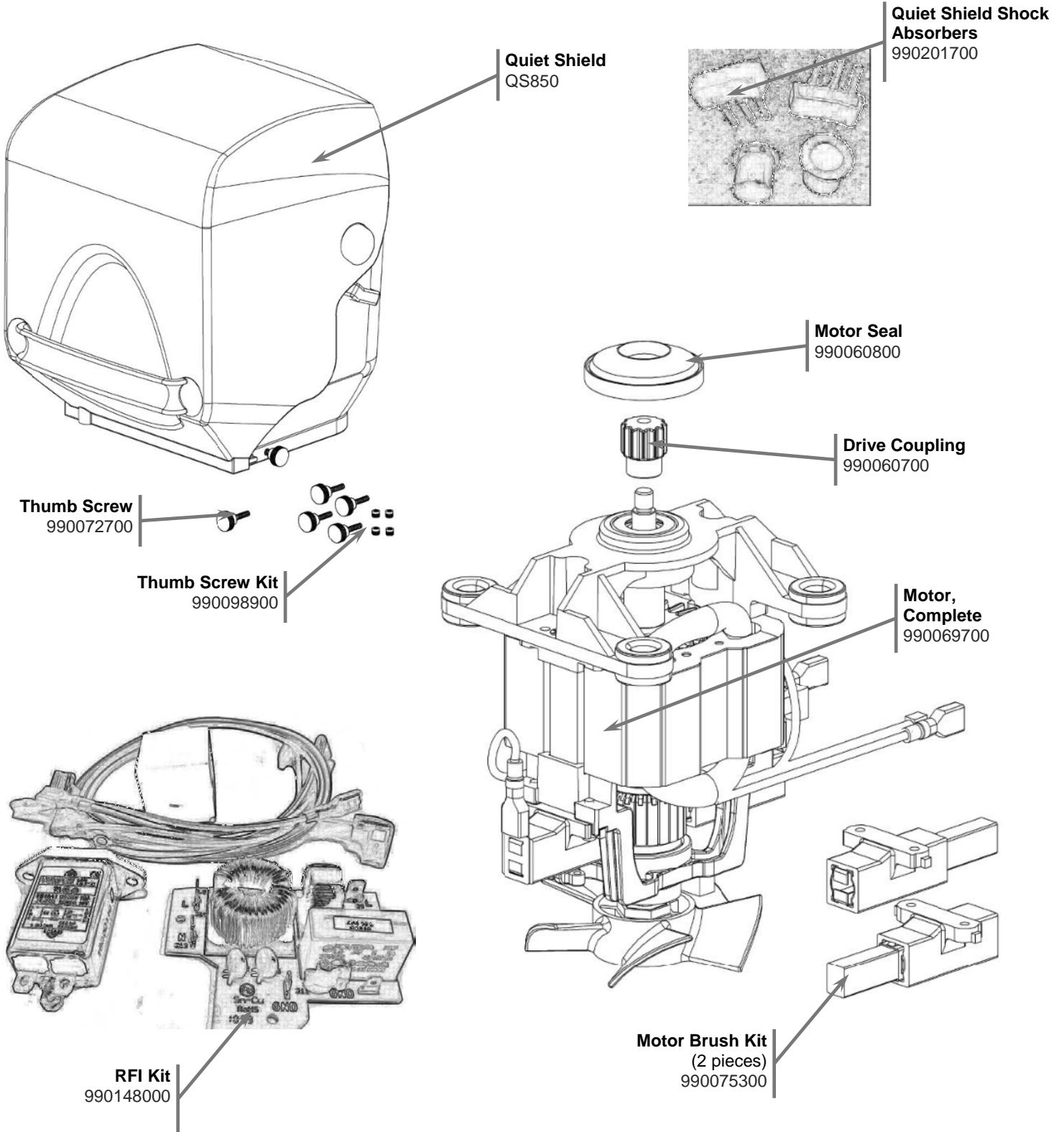


<p><b>Hamilton Beach</b> 4421 Waterfront Drive Glen Allen, VA 23060</p>	Revision Description: Update Switch		Request Number: <b>DOC7420</b>		Revision Date: 2/2/2017		Approved by: DOC7420	
	Issue Code(s):		Page: 1 of 4	Document #: <b>540001610</b>		Rev: <b>D</b>		

## Parts and Accesories Diagram

### Model HBH850-FRA

**PROPRIETARY RIGHTS NOTICE** This document and all information contained within it is the property of Hamilton Beach Brands, Inc. (HBB). It is confidential and proprietary and has been provided to you for a limited purpose. It must be returned or destroyed upon request. Disclosure, reproduction or use of this document and any information contained within it, in full or in part, for any purpose is forbidden without the prior written consent of HBB. No photographs may be taken of any article fabricated or assembled from this document without the prior written consent of HBB.

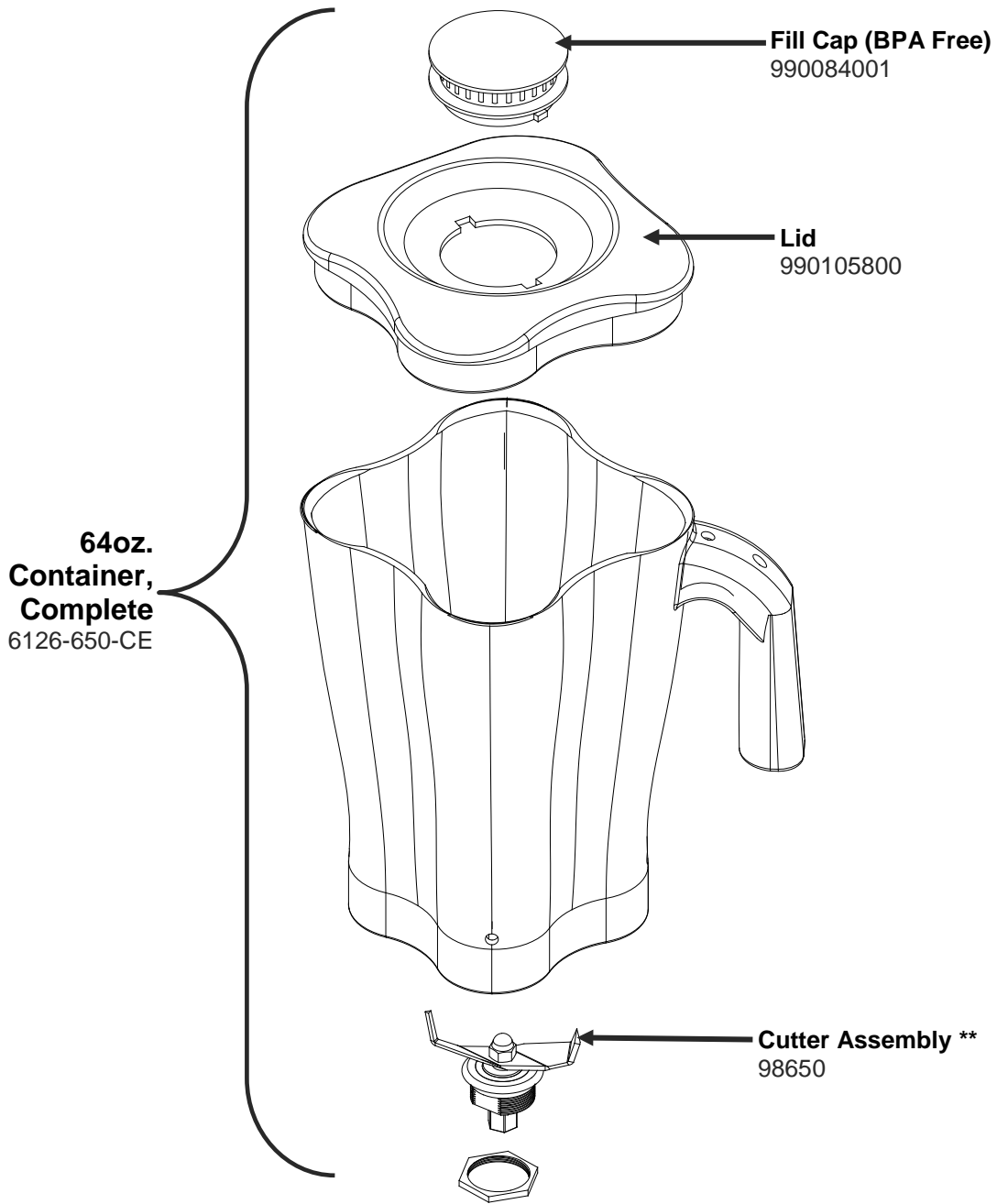


<b>Hamilton Beach</b> 4421 Waterfront Drive Glen Allen, VA 23060	Revision Description:	Update Switch					
	Request Number:	DOC7420	Revision Date:	2/2/2017	Approved by:	DOC7420	
	Issue Code(s):		Page:	2 of 4	Document #:	540001610	Rev: <b>D</b>

## Parts and Accesories Diagram

### Model HBH850-FRA


**PROPRIETARY RIGHTS NOTICE** This document and all information contained within it is the property of Hamilton Beach Brands, Inc. (HBB). It is confidential and proprietary and has been provided to you for a limited purpose. It must be returned or destroyed upon request. Disclosure, reproduction or use of this document and any information contained within it, in full or in part, for any purpose is forbidden without the prior written consent of HBB. No photographs may be taken of any article fabricated or assembled from this document without the prior written consent of HBB.



**Notes:**

\*Complete Container Includes: Cutter Assembly, Container, Lid and Filler Cap

\*\*Cutter Assembly Includes: Blade, Lock Washer, Hex Nut, Drive Coupling Attachment and Cutter Bearing Assembly.

 <p>Hamilton Beach 4421 Waterfront Drive Glen Allen, VA 23060</p>	Revision Description: Update Switch		Request Number: <b>DOC7420</b>		Revision Date: 2/2/2017	Approved by: DOC7420
	Issue Code(s):		Page: 3 of 4	Document #: <b>540001610</b>	Rev: <b>D</b>	

## Parts and Accesories Diagram

### Model HBH850-FRA

**PROPRIETARY RIGHTS NOTICE** This document and all information contained within it is the property of Hamilton Beach Brands, Inc. (HBB). It is confidential and proprietary and has been provided to you for a limited purpose. It must be returned or destroyed upon request. Disclosure, reproduction or use of this document and any information contained within it, in full or in part, for any purpose is forbidden without the prior written consent of HBB. No photographs may be taken of any article fabricated or assembled from this document without the prior written consent of HBB.

### Accessories

Container Rinser  
BCR100



<b>Hamilton Beach</b> 4421 Waterfront Drive Glen Allen, VA 23060	Revision Description:	Update Switch						
	Request Number:	<b>DOC7420</b>	Revision Date:	2/2/2017	Approved by:	DOC7420		
	Issue Code(s):		Page:	4 of 4	Document #:	<b>540001610</b>	Rev:	<b>D</b>