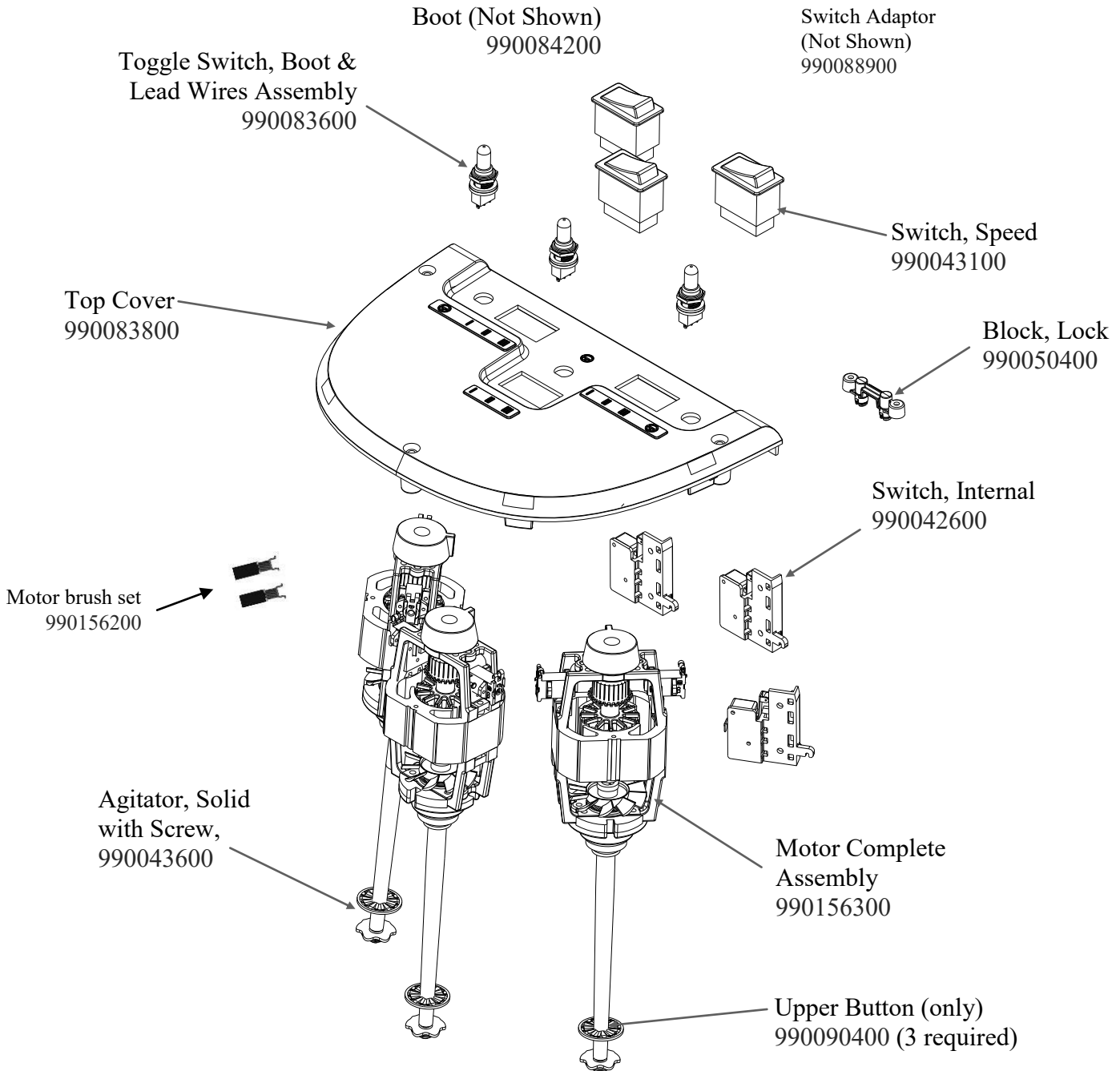


## Parts and Accessories Diagram

### HMD400-A

**PROPRIETARY RIGHTS NOTICE** This document and all information contained within it is the property of Hamilton Beach Brands, Inc. (HBB). It is confidential and proprietary and has been provided to you for a limited purpose. It must be returned or destroyed upon request. Disclosure, reproduction or use of this document and any information contained within it, in full or in part, for any purpose is forbidden without the prior written consent of HBB. No photographs may be taken of any article fabricated or assembled from this document without the prior written consent of HBB.



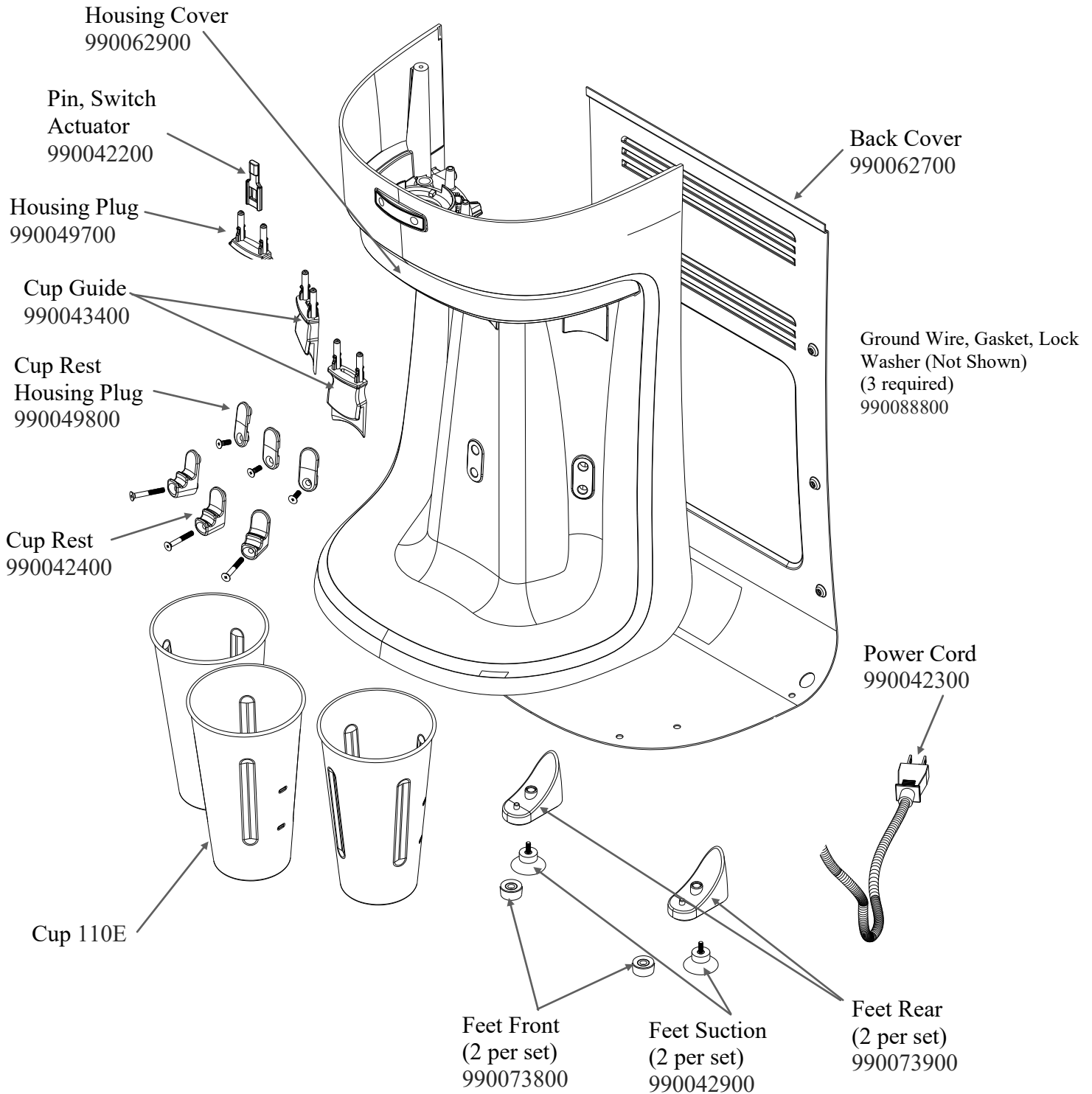
\*Switch Upgrade Kit for series A-D – 990092900  
 Includes: (1) Top Cover, (3) Toggle Switch, (3) Boot,  
 (3) Grounding Wire, and (3) Switch Adaptor

 4421 Waterfront Drive Glen Allen, VA 23060	Revision Description:		Revised Agitator Accessories				
	Request Number:	DOC4461	Revision Date:	2/7/14	Approved by:	DOC4461	
	Issue Code(s):	L	Page:	1 of 3	Document #:	540006710	Rev:

## Parts and Accessories Diagram

### HMD400-A

**PROPRIETARY RIGHTS NOTICE** This document and all information contained within it is the property of Hamilton Beach Brands, Inc. (HBB). It is confidential and proprietary and has been provided to you for a limited purpose. It must be returned or destroyed upon request. Disclosure, reproduction or use of this document and any information contained within it, in full or in part, for any purpose is forbidden without the prior written consent of HBB. No photographs may be taken of any article fabricated or assembled from this document without the prior written consent of HBB.



 Hamilton Beach 4421 Waterfront Drive Glen Allen, VA 23060	Revision Description:		Revised Agitator Accessories				
	Request Number:	DOC4461	Revision Date:	2/7/14	Approved by:	DOC4461	
	Issue Code(s):	L	Page:	2 of 3	Document #:	540006710	Rev:

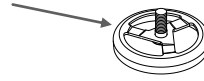
## Accessories

**PROPRIETARY RIGHTS NOTICE** This document and all information contained within it is the property of Hamilton Beach Brands, Inc. (HBB). It is confidential and proprietary and has been provided to you for a limited purpose. It must be returned or destroyed upon request. Disclosure, reproduction or use of this document and any information contained within it, in full or in part, for any purpose is forbidden without the prior written consent of HBB. No photographs may be taken of any article fabricated or assembled from this document without the prior written consent of HBB.

Agitator,  
Alternate  
928




Agitator,  
Alternate  
929



Impellor,  
Agitator  
930



 4421 Waterfront Drive Glen Allen, VA 23060	Revision Description:		Revised Agitator Accessories					
	Request Number:	DOC4461	Revision Date:	2/7/14	Approved by:	DOC4461		
	Issue Code(s):	L	Page:	3 of 3	Document #:	540006710	Rev:	C