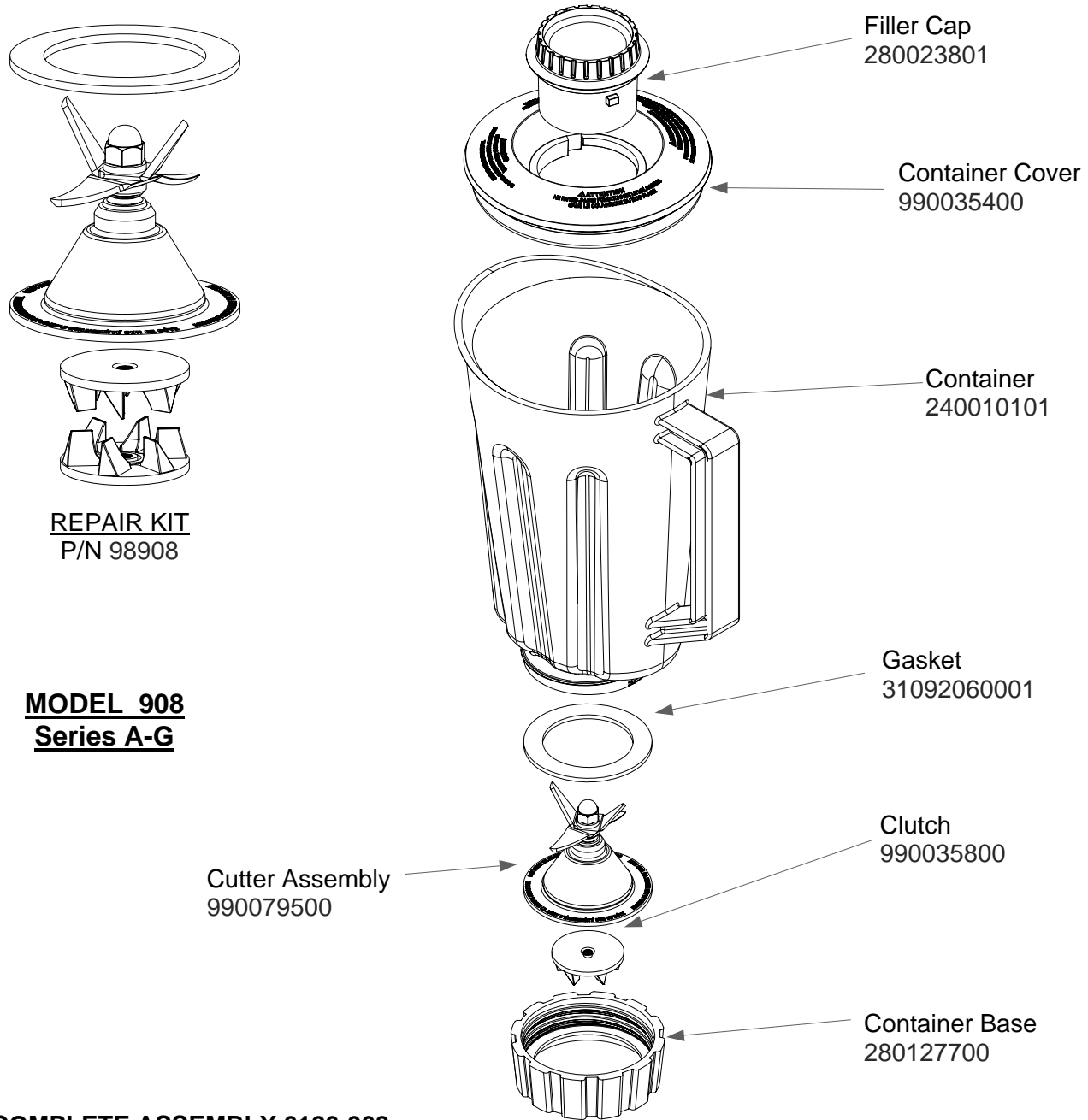


Replacement Parts Diagram

908

PROPRIETARY RIGHTS NOTICE This document and all information contained within it is the property of Hamilton Beach Brands, Inc. (HBB). It is confidential and proprietary and has been provided to you for a limited purpose. It must be returned or destroyed upon request. Disclosure, reproduction or use of this document and any information contained within it, in full or in part, for any purpose is forbidden without the prior written consent of HBB. No photographs may be taken of any article fabricated or assembled from this document without the prior written consent of HBB.



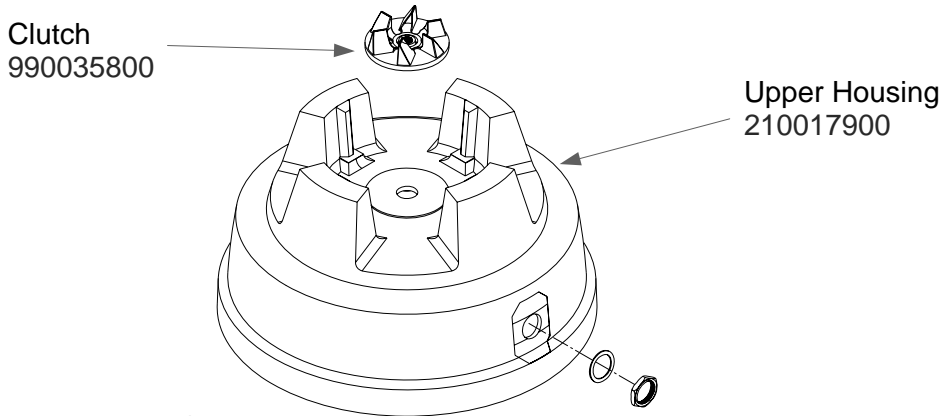
COMPLETE ASSEMBLY 6126-908

 4421 Waterfront Drive Glen Allen, VA 23060	Revision Description:		Changed lid and cutter assembly part numbers					
	Request Number:	CME-2710	Revision Date:	6/19/08	Approved by:			
	Issue Code(s):	CS, SP	Page:	1 of 3	Document #:	5100039XX	Rev:	D

Replacement Parts Diagram

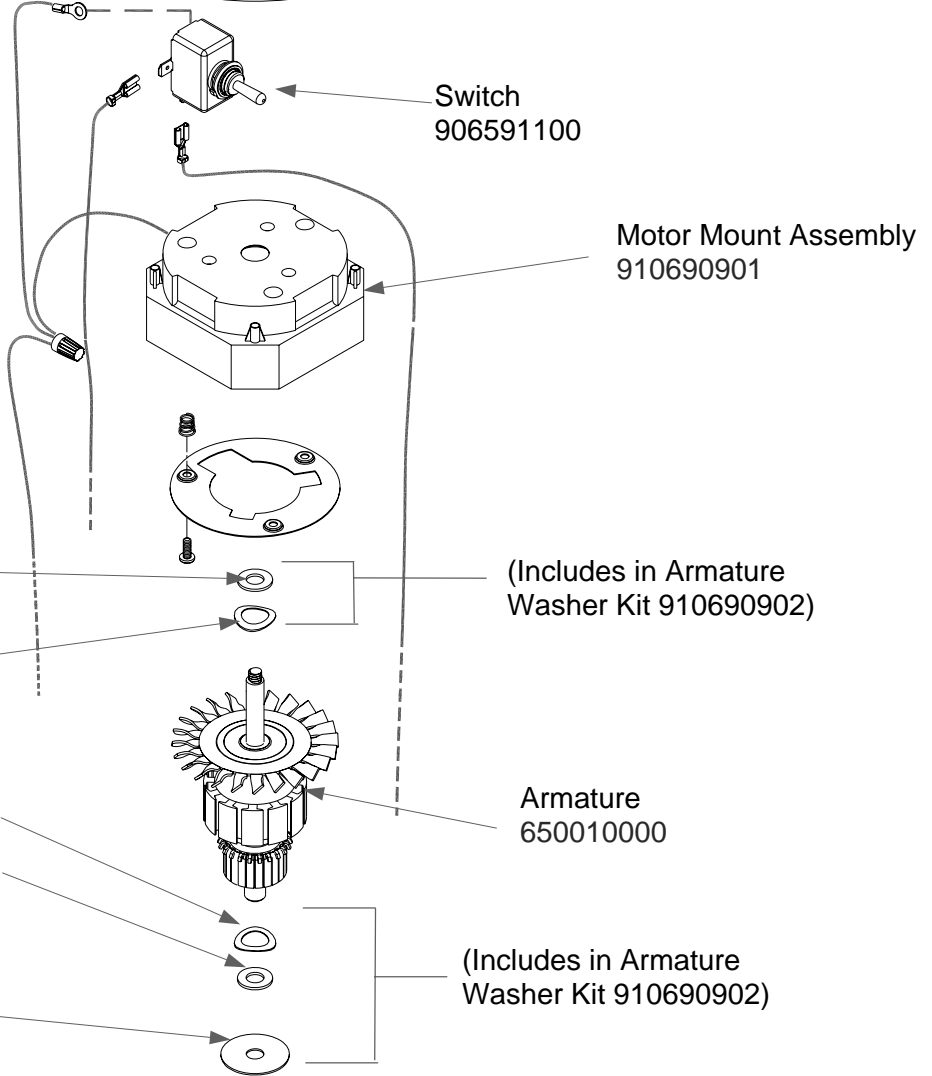
908

PROPRIETARY RIGHTS NOTICE This document and all information contained within it is the property of Hamilton Beach Brands, Inc. (HBB). It is confidential and proprietary and has been provided to you for a limited purpose. It must be returned or destroyed upon request. Disclosure, reproduction or use of this document and any information contained within it, in full or in part, for any purpose is forbidden without the prior written consent of HBB. No photographs may be taken of any article fabricated or assembled from this document without the prior written consent of HBB.



**Armature
Washer Kit
910690902:**

- Flat Washer
44023222002 (2)
- Spring Washer
44033272600 (2)
- Lg. Fiber Washer
44023184202
- Sm. Fiber Washer
44023184201

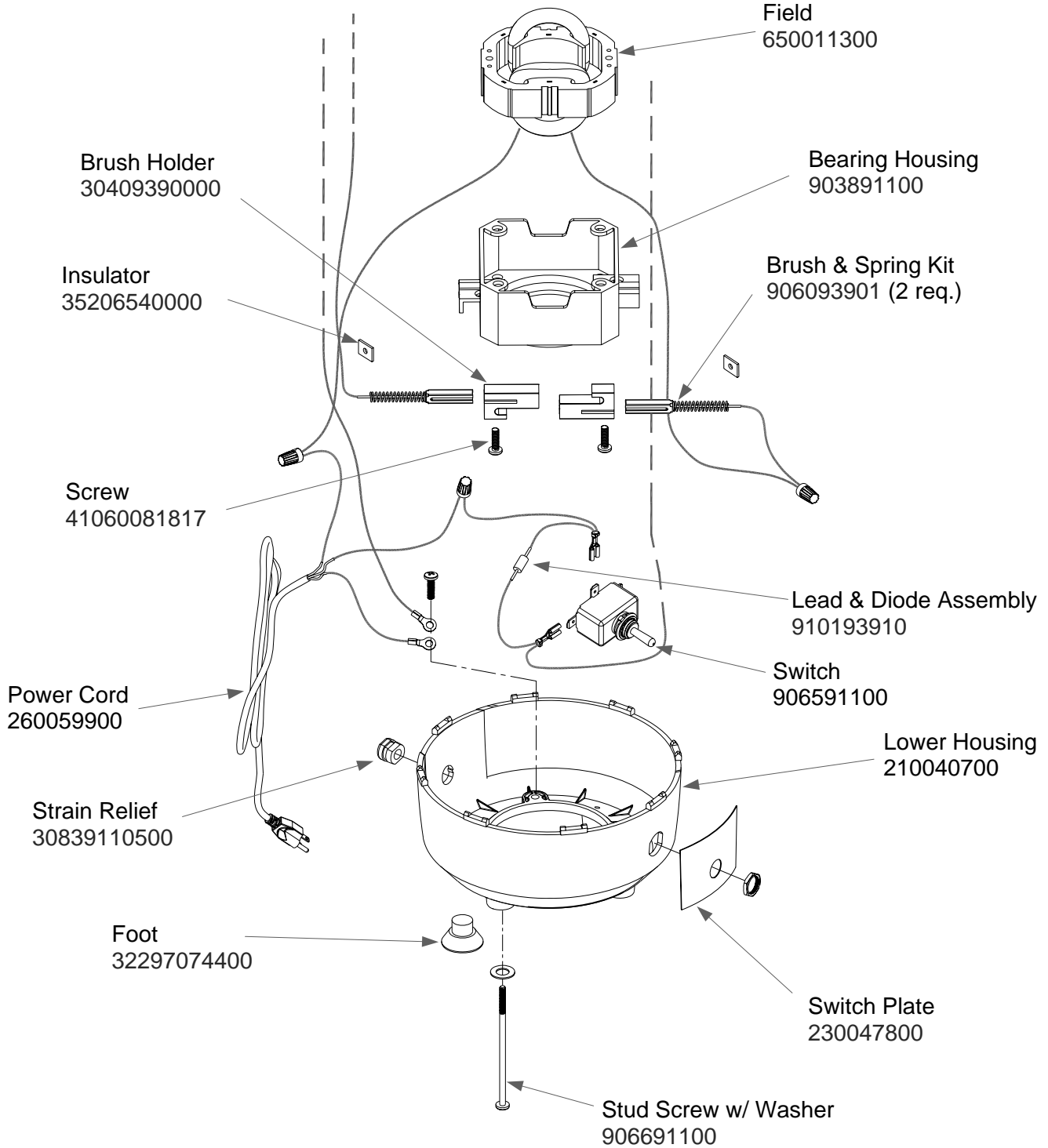



4421 Waterfront Drive Glen Allen, VA 23060	Revision Description:		Changed lid and cutter assembly part numbers					
	Request Number:	CME-2710	Revision Date:	6/19/08	Approved by:			
	Issue Code(s):	CS, SP	Page:	2 of 3	Document #:	5100039XX	Rev:	D

Replacement Parts Diagram

908

PROPRIETARY RIGHTS NOTICE This document and all information contained within it is the property of Hamilton Beach Brands, Inc. (HBB). It is confidential and proprietary and has been provided to you for a limited purpose. It must be returned or destroyed upon request. Disclosure, reproduction or use of this document and any information contained within it, in full or in part, for any purpose is forbidden without the prior written consent of HBB. No photographs may be taken of any article fabricated or assembled from this document without the prior written consent of HBB.



 4421 Waterfront Drive Glen Allen, VA 23060	Revision Description:		Changed lid and cutter assembly part numbers			
	Request Number:	CME-2710	Revision Date:	6/19/08	Approved by:	
	Issue Code(s):	CS, SP	Page:	3 of 3	Document #:	5100039XX
					Rev:	D