



# Sanitizing Sink Heater

## *3CS-2 Series*

---

3CS2-3

3CS2-3B

3CS2-4

3CS2-4B

3CS2-6

3CS2-6B

3CS2-9

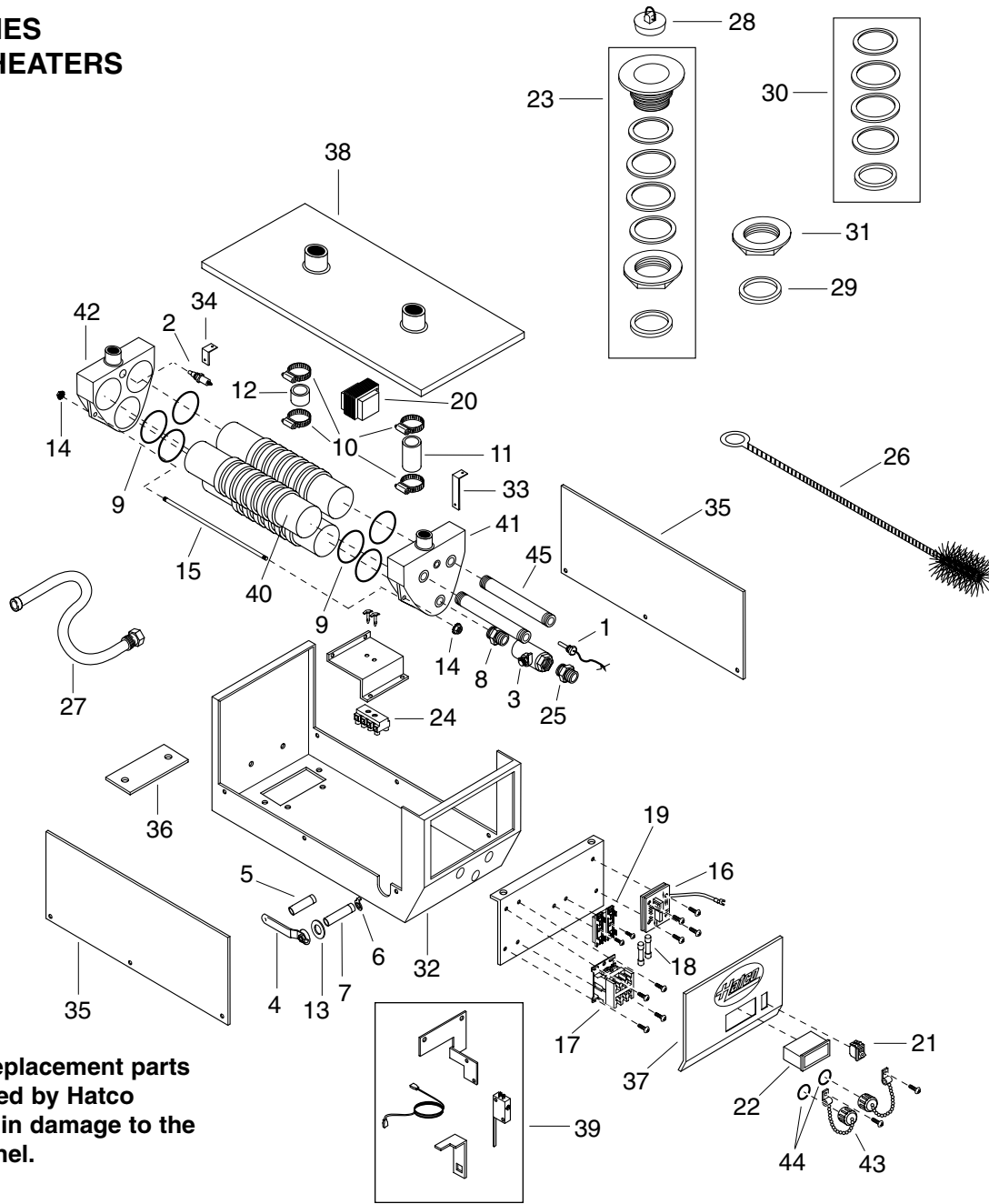
3CS2-9B

---

**REPLACEMENT  
PARTS LIST**

---

# HATCO 3CS-2 SERIES SANITIZING SINK HEATERS



**Model Designation**

3CS2-XB	3 = Three
	C = Compartment
	S = Sink Heater
	2 = 2nd Generation
	X = Kilowatts
	B = Balanced Three-Phase

**⚠ CAUTION - Use of replacement parts other than those supplied by Hatco Corporation may result in damage to the unit or injury to personnel.**

## PARTS COMMON TO ALL 3CS-2 MODELS

ITEM	DESCRIPTION	PART NO.	QTY.	ITEM	DESCRIPTION	PART NO.	QTY.
1	Temperature Probe	02.01.166.00	1	22	Electronic Temperature Controller	02.01.165S.00	1
2	Probe, Low Water Cut Off	02.40.015.00	1	23	Strainer Assembly with Gaskets	R05.30.009.00	2
3	Ball Valve, Threaded	03.02.001.00	1	24	Terminal Block with Pins	R02.15.035.00	1
4	Ball Valve Handle	03.02.001B.00	1	25	Brass Hose Connector with Shoulder	03.05.058.00	1
5	Ball Valve, Hex Extension	03.02.029.00	1	26	Cleaning Brush	03.40.060.00	1
6	Ball Valve, Stop Plate	03.02.030.00	1	27	Flush Hose Assembly	05.06.010.00	1
7	3" (8 cm) Valve Extension	03.02.031.00	1	28	1-3/8" (4 cm) Rubber Stopper	05.06.026.00	1
8	3/4" x 3/4" Brass Hex Nipple	03.05.057.00	1	29	Union Gasket	05.06.009.00	1
9	O-Ring	03.40.059.00	2-6	30	Strainer Gasket Kit★	R00.05.0002.00	1
10	Hose Clamp, S.S. with Liner	03.40.061.00	4	31	Brass Locknut	05.30.009A.00	2
11	Inlet Hose	03.40.062F.00	1	32	Jacket, Black	04.06.220.00	1
12	Outlet Hose	03.40.062R.00	1	33	Front Head Strap	04.06.223.00	2
13	Rubber Gasket	05.06.006.00	1	34	Rear Head Strap	04.06.224.00	2
14	Keps Nut	05.04.205.00	4	35	Side Panel, Black	04.06.222.00	2
15	Rod, Threaded	05.04.419.00	2	36	Bottom Access Panel, Black	04.06.228.00	1
16	Low Water Cut Off, 24 Volt	02.01.148.00	1	37	Front Control Panel	04.06.221.00	1
17	Contactator - 3 Pole	02.01.167.00	1	38	Top Assembly, S.S.	04.06.225.00	1
18	Fuse, 2 Amp (2 per pack)	R02.03.014.02	1	39	Drain Switch Kit	R02.19.162.00	1
19	Fuse Block	02.03.022.00	1				
20	Transformer, 208/240 - 24 Volt	02.17.044.00	1				
21	On/Off Switch	02.19.081.00	1				

**Note:** S.S. is an abbreviation for stainless steel.

★ Includes all gaskets for both strainers.

<b>PARTS SPECIFIC TO MODEL 3CS2-3 &amp; 3CS2-3B</b>						
<b>ITEM</b>	<b>DESCRIPTION</b>	<b>208V</b>	<b>208V</b>	<b>240V</b>	<b>240V</b>	<b>480V</b>
		<b>Single Phase</b>	<b>Balanced Three-Phase</b>	<b>Single Phase</b>	<b>Balanced Three-Phase</b>	<b>Three-Phase</b>
40	Heating Element (Qty. 1-3)	R02.06.003F.00	R02.06.003F.00	R02.06.003F.00	R02.06.003F.00	---
41	Front Head	03.17.001.00	03.17.003.00	03.17.001.00	03.17.003.00	---
42	Rear Head	03.17.002.00	03.17.004.00	03.17.002.00	03.17.004.00	---
43	Cap, Clean Out (Qty. 2)	---	03.40.063.00	---	03.40.063.00	---
44	Gasket, Clean Out Cap (Qty. 2)	---	05.06.066.00	---	05.06.066.00	---
45	Pipe, Clean Out (Qty. 2)	---	03.11.012.00	---	03.11.012.00	---
	Electrical Drawing	HS1-5375	HS1-5376	HS1-5375	HS1-5376	---

<b>PARTS SPECIFIC TO MODEL 3CS2-4 &amp; 3CS2-4B</b>						
<b>ITEM</b>	<b>DESCRIPTION</b>	<b>208V</b>	<b>208V</b>	<b>240V</b>	<b>240V</b>	<b>480V</b>
		<b>Single Phase</b>	<b>Balanced Three-Phase</b>	<b>Single Phase</b>	<b>Balanced Three-Phase</b>	<b>Three-Phase</b>
40	Heating Element (Qty. 1-3)	R02.06.003F.00	R02.06.004F.00	R02.06.003F.00	R02.06.004F.00	---
41	Front Head	03.17.001.00	03.17.003.00	03.17.001.00	03.17.003.00	---
42	Rear Head	03.17.002.00	03.17.004.00	03.17.002.00	03.17.004.00	---
43	Cap, Clean Out (Qty. 2)	---	03.40.063.00	---	03.40.063.00	---
44	Gasket, Clean Out Cap (Qty. 2)	---	05.06.066.00	---	05.06.066.00	---
45	Pipe, Clean Out (Qty. 2)	---	03.11.012.00	---	03.11.012.00	---
	Electrical Drawing	HS1-5375	HS1-5518	HS1-5375	HS1-5518	---

**Note:** "B" in model indicates balanced 3 phase only.

**Note:** S.S. is an abbreviation for stainless steel.

**PARTS SPECIFIC TO MODEL 3CS2-6 & 3CS2-6B**

ITEM	DESCRIPTION	208V	208V	240V	240V	480V
		Single Phase	Balanced Three-Phase	Single Phase	Balanced Three-Phase	Three-Phase
40	Heating Element (Qty. 1-3)	R02.06.003F.00	R02.06.004F.00	R02.06.003F.00	R02.06.004F.00	---
41	Front Head	03.17.003.00	03.17.003.00	03.17.003.00	03.17.003.00	---
42	Rear Head	03.17.004.00	03.17.004.00	03.17.004.00	03.17.004.00	---
43	Cap, Clean Out (Qty. 2)	03.40.063.00	03.40.063.00	03.40.063.00	03.40.063.00	---
44	Gasket, Clean Out Cap (Qty. 2)	05.06.066.00	05.06.066.00	05.06.066.00	05.06.066.00	---
45	Pipe, Clean Out (Qty. 2)	03.11.012.00	03.11.012.00	03.11.012.00	03.11.012.00	---
	Electrical Drawing	HS1-5377	HS1-5378	HS1-5377	HS1-5378	---

**PARTS SPECIFIC TO MODEL 3CS2-9 & 3CS2-9B**

ITEM	DESCRIPTION	208V	208V	240V	240V	480V
		Single Phase	Balanced Three-Phase	Single Phase	Balanced Three-Phase	Three-Phase
40	Heating Element (Qty. 3)	---	R02.06.003F.00	---	R02.06.003F.00	---
41	Front Head	---	03.17.003.00	---	03.17.003.00	---
42	Rear Head	---	03.17.004.00	---	03.17.004.00	---
43	Cap, Clean Out (Qty. 2)	---	03.40.063.00	---	03.40.063.00	---
44	Gasket, Clean Out Cap (Qty. 2)	---	05.06.066.00	---	05.06.066.00	---
45	Pipe, Clean Out (Qty. 2)	---	03.11.012.00	---	03.11.012.00	---
	Electrical Drawing	---	HS1-5379	---	HS1-5379	---

**Note:** "B" in model indicates balanced 3 phase only.

**Note:** S.S. is an abbreviation for stainless steel.

**NOTES**

---

---

---

---

---

---

---

---

---

---

---

---

---

---

---

---

---

---

---

**NOTES**

---

---

---

---

---

---

---

---

---

---

---

---

---

---

---

---

---

---

---

---

---

---

---

---

---

---

---

---

---

## HATCO AUTHORIZED PARTS DISTRIBUTORS

---

---

### **ALABAMA**

Jones McLeod Appl. Svc.  
Birmingham 205-251-0159

### **ARIZONA**

Auth. Comm. Food Equip.  
Phoenix 602-234-2443  
Byassee Equipment Co.  
Phoenix 602-252-0402

### **CALIFORNIA**

Industrial Electric  
Huntington Beach 714-379-7100  
Chapman Appl. Service  
San Diego 619-298-7106  
P & D Appliance  
S. San Francisco 650-635-1900

### **COLORADO**

All City Service  
Denver 303-454-9500  
Hawkins Commercial Appliance  
Englewood 303-781-5548

### **DELAWARE**

Food Equipment Service  
Wilmington 302-996-9363

### **FLORIDA**

Whaley Foodservice Repair  
Jacksonville 904-725-7800  
Nass Service Co., Inc.  
Orlando 407-425-2681  
B.G.S.I.  
Pompano Beach 954-971-0456  
Comm. Appliance Service  
Tampa 813-663-0313

### **GEORGIA**

Southeastern Rest. Svc.  
Norcross 770-446-6177

### **HAWAII**

Burney's Comm. Service, Inc.  
Honolulu 808-848-1466  
Food Equip Parts & Service  
Honolulu 808-847-4871

### **ILLINOIS**

Parts Town  
Broadview 708-865-7278  
Eichenauer Elec. Service  
Decatur 217-429-4229  
Midwest Elec. Appl. Service  
Elmhurst 630-279-8000  
Cone's Repair Service  
Moline 309-797-5323

### **INDIANA**

Comm. Parts & Service, Inc.  
Indianapolis 317-545-9655

### **IOWA**

Electric Motor Service Co.  
Davenport 319-323-1823

### **KENTUCKY**

Comm. Parts & Service, Inc.  
Louisville 502-367-1788

### **LOUISIANA**

Chandlers Parts & Service  
Baton Rouge 225-272-6620

### **LOUISIANA (Continued)**

Bana Comm. Parts, Inc.  
Shreveport 318-631-6550

### **MARYLAND**

Electric Motor Service  
Baltimore 410-467-8080  
GCS Service, Inc.  
Silver Spring 301-585-7550

### **MASSACHUSETTS**

Ace Service Co., Inc.  
Needham 781-449-4220

### **MICHIGAN**

Commercial Kitchen Service  
Bay City 517-893-4561  
Bildons Appliance Service  
Detroit 248-478-3320  
Midwest Food Equip. Service  
Grandville 616-261-2000

### **MINNESOTA**

GCS Service  
Minneapolis 612-546-4221

### **MISSOURI**

GCS Service, Inc.  
Kansas City 816-920-5999  
Commercial Kitchen Services  
St. Louis 314-890-0700  
Kaemmerlen Parts & Service  
St. Louis 314-535-2222

### **NEBRASKA**

Anderson Electric  
Omaha 402-341-1414

### **NEVADA**

Burney's Commercial  
Las Vegas 702-736-0006  
Hi. Tech Commercial Service  
N. Las Vegas 702-649-4616

### **NEW JERSEY**

Jay Hill Repair  
Fairfield 973-575-9145  
Service Plus  
Flanders 973-691-6300

### **NEW YORK**

Acme American Repairs, Inc.  
Brooklyn 718-456-6544  
Alpro Service Co.  
Brooklyn 718-386-2515  
Appliance Installation  
Buffalo 716-884-7425  
Northern Parts Dist.  
Plattsburgh 518-563-3200  
J. B. Brady, Inc.  
Syracuse 315-422-9271

### **NORTH CAROLINA**

Authorized Appliance  
Charlotte 704-377-4501

### **OHIO**

Akron/Canton Comm. Svc. Inc.  
Akron 330-753-6635  
Certified Service Center  
Cincinnati 513-772-6600  
GCS Service  
Columbus 614-476-3225

### **OHIO (Continued)**

Electrical Appl. Repair Service  
Independence 216-459-8700  
E. A. Wichman Co.  
Toledo 419-385-9121

### **OKLAHOMA**

Hagar Rest. Service, Inc.  
Oklahoma City 405-235-2184  
Krueger, Inc.  
Oklahoma City 405-528-8883

### **OREGON**

Bressie Electric Co.  
Portland 503-231-7171  
Ron's Service, Inc.  
Portland 503-624-0890

### **PENNSYLVANIA**

Authorized Factory Service  
Coraopolis 412-262-2330  
FAST Comm. Appl. Service  
Philadelphia 215-288-4800

GCS Service, Inc.  
Pittsburgh 412-787-1970

K & D Service Co.  
Harrisburg 717-236-9039

Elmer Schultz Services  
Philadelphia 215-627-5401

Electric Repair Co.  
Reading 610-376-5444

### **RHODE ISLAND**

Marshall Electric Co.  
Providence 401-331-1163

### **SOUTH CAROLINA**

Whaley Foodservice Repair  
W. Columbia 803-791-4420

### **TENNESSEE**

Camp Electric  
Memphis 901-527-7543

### **TEXAS**

City Kitchen Service Co.  
Austin 512-719-4445

Stove Parts Supply  
Fort Worth 817-831-0381

Armstrong Repair Service  
Houston 713-666-7100

Commercial Kitchen Repair Co.  
San Antonio 210-735-2811

San Antonio Rest. Equip.  
San Antonio 210-824-3271

### **UTAH**

Peterson's Commercial Parts & Svc.  
Salt Lake City 801-487-3653

### **VIRGINIA**

Daubers  
Norfolk 757-855-4097

Daubers  
Springfield 703-866-3600

### **WASHINGTON**

Restaurant Appl. Service  
Seattle 206-524-8200

### **WISCONSIN**

A.S.C., Inc.  
Madison 608-246-3160

A.S.C., Inc.  
Milwaukee 414-543-6460

---

---

## HATCO CORPORATION

P.O. Box 340500, Milwaukee, WI 53234-0500 U.S.A.

(800) 558-0607 (414) 671-6350

Parts & Service Fax (800) 690-2966 Int'l. Fax (414) 671-3976

www.hatcocorp.com