



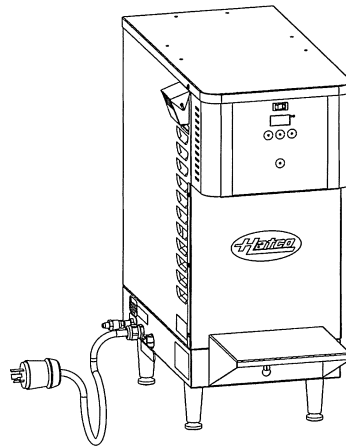
# Atmospheric Hot Water Dispenser

*AWD Series*

---

*AWD-12*

---



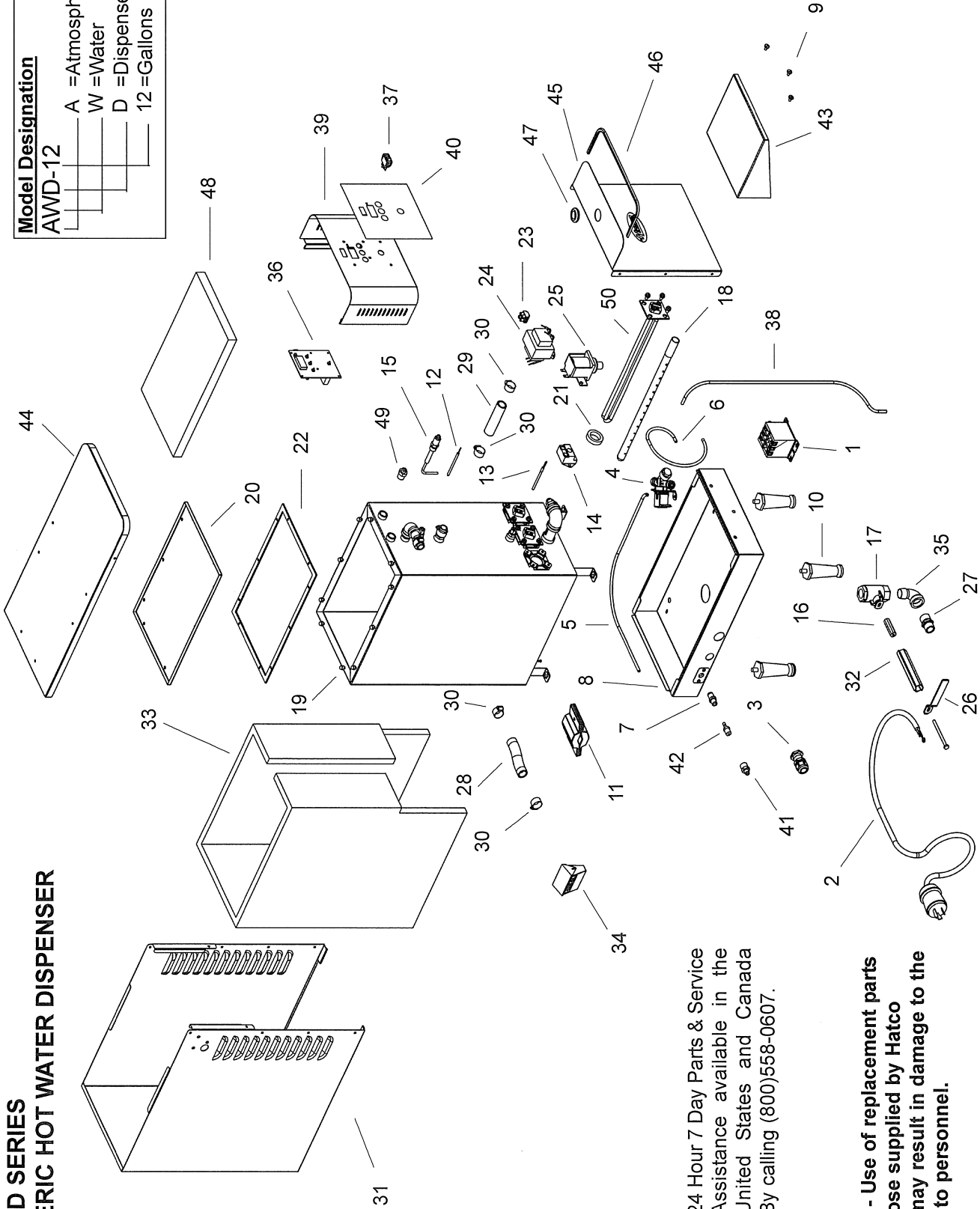
**REPLACEMENT  
PARTS LIST**

# HATCO AWD SERIES ATMOSPHERIC HOT WATER DISPENSER

## Model Designation

AWD-12

A = Atmospheric  
W = Water  
D = Dispenser  
12 = Gallons



24 Hour 7 Day Parts & Service  
Assistance available in the  
United States and Canada  
By calling (800)558-0607.



**CAUTION - Use of replacement parts other than those supplied by Hatco Corporation may result in damage to the unit or injury to personnel.**

## PARTS COMMON TO ALL AWD MODELS

ITEM	DESCRIPTION	PART NO.	QTY.	ITEM	DESCRIPTION	PART NO.	QTY.
1	Contactors 50A, 24 VAC	02.01.167.00	1	25	Dispense Valve	03.02.032.00	1
2	Power Cord Assembly-30A, 250 Volt	02.18.122.00	1	26	Handle for Ball Valve	03.02.038.00	1
3	Cord Grip	02.20.259.00	1	27	Brass Hose Connector w/Shoulder	03.05.058.00	1
4	Fill Solenoid Valve	R03.02.040.00	1	28	Hose, Delimer	03.40.089.00	1'
5	Water Fill Tube	03.40.081.00	2'	29	Hose, Dispense	03.40.089.00	1'
6	Tank Inlet Tube	03.40.081.00	2'	30	Hose Clamp	03.40.080.00	4
7	Bulkhead Union Fitting	03.40.085.00	1	31	Jacket, White Granite	04.36.009.00	1
8	Base, Warm Red	04.36.007.00	1	32	Valve extension 5.125" (130 mm)	04.36.017.00	1
9	Screw, Drip Pan	05.04.149.00	3	33	Insulation, Tank	05.05.034.00	1
10	Leg, 4" (102 mm)	05.30.065.00	4	34	Fill Cup with Cover Assembly	R05.30.050.00	1
11	Water Conditioning Magnet	05.30.087.00	1	35	Brass Elbow 3/4" (19 mm)	03.08.012.00	1
12	Thermistor Probe-			36	Water Level Control Board	02.01.189.00	1
	Temperature-Upper	02.01.203.00	1	37	On/Off Rocker Switch	02.19.081.00	1
13	Thermistor Probe			38	Outlet Tube	03.40.081.00	2'
	Temperature/Level-Lower	02.01.204.00	1	39	Front Housing, White Granite	04.36.013.00	1
14	High Limit-Surface Mount	02.16.121.00	1	40	Decal Overlay	07.03.430.00	1
15	Probe with bend-LWCO	02.40.045.00	1	41	Flare Connection	03.40.078.00	1
16	Value Extension 2" ( 51 mm)	03.02.029.00	1	42	Stem Adapter Fitting	03.40.084.00	1
17	Ball Valve-Stainless Steel	03.02.038.00	1	43	Drip Tray	04.36.008.00	1
18	Inlet Tube	03.40.086.00	1	44	Top Cover, Warm Red	04.36.011.00	1
19	Water Tank Assembly	04.36.005.00	1	45	Front Cover, White Granite	04.36.012.00	1
20	Tank Lid	04.36.006.00	1	46	Rubber Channel Gasket	05.06.002.00	1
21	Gasket, Heating Element	05.06.005.00	3	47	Grommet, Rubber	05.06.075.00	1
22	Gasket, Tank Lid	05.06.076.00	1	48	Isulation, Top	05.05.059.00	1
23	Terminal Block-2 Pole	02.15.050.00	1	49	Nipple, Push-On	03.40.083.00	1
24	Transformer						
	208/240 Volt-24 Volt	02.17.046.00	1				

## PARTS SPECIFIC TO MODEL AWD-12

ITEM	DESCRIPTION	208V 60 Hz	240V 60 Hz	220-230V CE Single Phase 50 Hz	230-240V CE Single Phase 50 Hz	480V 60 Hz
50	Heating Element 1625W	R02.06.500.00	R02.06.501.00	---	---	---

Shaded area in parts lists on the following pages reflects export models only.

## HATCO AUTHORIZED PARTS DISTRIBUTORS

### ALABAMA

Jones McLeod Appl. Svc.  
Birmingham 205-251-0159

### ARIZONA

Auth. Comm. Food Equip.  
Phoenix 602-234-2443  
Byassee Equipment Co.  
Phoenix 602-252-0402

### CALIFORNIA

Industrial Electric  
Huntington Beach 714-379-7100  
Chapman Appl. Service  
San Diego 619-298-7106  
P & D Appliance  
S. San Francisco 650-635-1900

### COLORADO

Hawkins Commercial Appliance  
Englewood 303-781-5548

### DELAWARE

Food Equipment Service  
Wilmington 302-996-9363

### FLORIDA

Whaley Foodservice Repair  
Jacksonville 904-725-7800  
Universal Restaurant Services  
Miami 305-593-5488  
Nass Service Co., Inc.  
Orlando 407-425-2681  
B.G.S.I.  
Pompano Beach 954-971-0456  
Comm. Appliance Service  
Tampa 813-663-0313

### GEORGIA

TWC Services  
Smyrna 770-438-9797  
Heritage Service Group  
Norcross 866-388-9837  
Southeastern Rest. Svc.  
Norcross 770-446-6177

### HAWAII

Burney's Comm. Service, Inc.  
Honolulu 808-848-1466  
Food Equip Parts & Service  
Honolulu 808-847-4871

### ILLINOIS

Parts Town  
Lombard 708-865-7278  
Eichenauer Elec. Service  
Decatur 217-429-4229  
Midwest Elec. Appl. Service  
Elmhurst 630-279-8000  
Cone's Repair Service  
Moline 309-797-5323

### INDIANA

GCS Service  
Indianapolis 317-545-9655

### IOWA

Electric Motor Service Co.  
Davenport 319-323-1823  
Goodwin Tucker Group  
Des Moines 515-262-8308

### KENTUCKY

GCS Service  
Louisville 502-367-1788

### LOUISIANA

Chandlers Parts & Service  
Baton Rouge 225-272-6620

### MARYLAND

Electric Motor Service  
Baltimore 410-467-8080  
GCS Service  
Silver Spring 301-585-7550

### MASSACHUSETTS

Ace Service Co., Inc.  
Needham 781-449-4220

### MICHIGAN

Commercial Kitchen Service  
Bay City 517-893-4561  
Bildons Appliance Service  
Detroit 248-478-3320  
Midwest Food Equip. Service  
Grandville 616-261-2000

### MINNESOTA

GCS Service  
Minneapolis 612-546-4221

### MISSOURI

General Parts  
Kansas City 816-421-5400  
Commercial Kitchen Services  
St. Louis 314-890-0700  
Kaemmerlen Parts & Service  
St. Louis 314-535-2222

### NEBRASKA

Anderson Electric  
Omaha 402-341-1414

### NEVADA

Burney's Commercial  
Las Vegas 702-736-0006  
Hi. Tech Commercial Service  
N. Las Vegas 702-649-4616

### NEW JERSEY

Jay Hill Repair  
Fairfield 973-575-9145  
Service Plus  
Flanders 973-691-6300

### NEW YORK

Acme American Repairs, Inc.  
Brooklyn 718-456-6544  
Alpro Service Co.  
Brooklyn 718-386-2515  
Appliance Installation  
Buffalo 716-884-7425  
Northern Parts Dist.  
Plattsburgh 518-563-3200  
J.B. Brady, Inc.  
Syracuse 315-422-9271

### NORTH CAROLINA

Authorized Appliance  
Charlotte 704-377-4501

### OHIO

Akron/Canton Comm. Svc. Inc.  
Akron 330-753-6635  
Certified Service Center  
Cincinnati 513-772-6600  
Commercial Parts and Service  
Columbus 614-221-0057  
Electrical Appl. Repair Service  
Independence 216-459-8700  
E. A. Wichman Co.  
Toledo 419-385-9121

### OKLAHOMA

Hagar Rest. Service, Inc.  
Oklahoma City 405-235-2184  
Krueger, Inc.  
Oklahoma City 405-528-8883

### OREGON

Bressie Electric Co.  
Portland 503-231-7171  
Ron's Service, Inc.  
Portland 503-624-0890

### PENNSYLVANIA

Elmer Schultz Services  
Philadelphia 215-627-5401  
FAST Comm. Appl. Service  
Philadelphia 215-288-4800  
GCS Service  
Pittsburgh 412-787-1970  
K & D Service Co.  
Harrisburg 717-236-9039  
Electric Repair Co.  
Reading 610-376-5444

### RHODE ISLAND

Marshall Electric Co.  
Providence 401-331-1163

### SOUTH CAROLINA

Whaley Foodservice Repair  
W. Columbia 803-791-4420

### TENNESSEE

Camp Electric  
Memphis 901-527-7543

### TEXAS

Stove Parts Supply  
Fort Worth 817-831-0381  
Armstrong Repair Service  
Houston 713-666-7100  
Commercial Kitchen Repair Co.  
San Antonio 210-735-2811

### UTAH

La Monica's Rest. Equip. Service  
Murray 801-263-3221

### VIRGINIA

Daubers  
Norfolk 757-855-4097  
Daubers  
Springfield 703-866-3600

### WASHINGTON

Restaurant Appl. Service  
Seattle 206-524-8200

### WISCONSIN

A.S.C., Inc.  
Madison 608-246-3160  
A.S.C., Inc.  
Milwaukee 414-543-6460

## CANADA

### BRITISH COLUMBIA

Key Food Equipment Service  
Vancouver 604-433-4484

### MANITOBA

Denko Mechanical Ltd.  
Winnipeg 204-233-8003

### ONTARIO

R.G. Henderson Ltd.  
Toronto 416-422-5580  
Choquette CKS  
Ottawa 613-739-8458

### QUÉBEC

Choquette CKS  
Montreal 514-722-2000  
Choquette CKS  
Québec City 418-681-3944

## HATCO CORPORATION

P.O. Box 340500, Milwaukee, WI 53234-0500 U.S.A.

(800) 558-0607 (414) 671-6350

Parts & Service Fax (800) 690-2966 Int'l. Fax (414) 671-3976

www.hatcocorp.com