

hatcocorp.com

Register Online!
(see page 2)

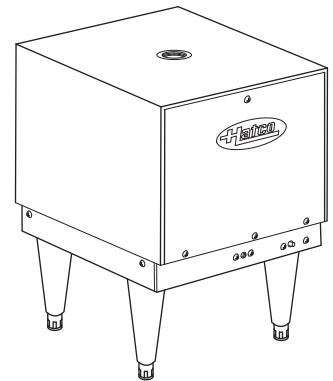
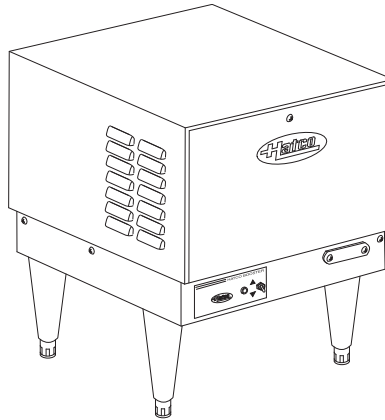
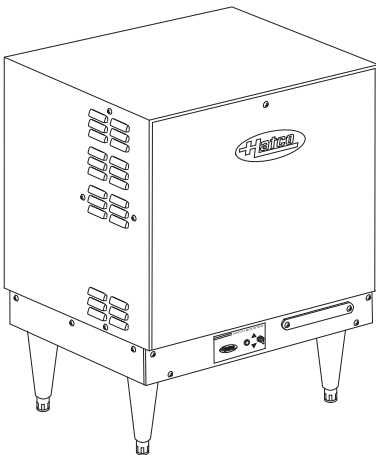
S'inscrire en ligne!
(voir page 31)



Electric Booster Water Heaters Réchauffeurs d'eau électriques

Imperial, Compact, Mini-Compact Series Série Imperial, Compact, Mini-Compact

Installation and Operating Manual Manuel d'installation et d'utilisation



⚠ WARNING

Do not operate this equipment unless you have read and understood the contents of this manual! Failure to follow the instructions contained in this manual may result in serious injury or death. This manual contains important safety information concerning the maintenance, use, and operation of this product. If you're unable to understand the contents of this manual, please bring it to the attention of your supervisor. Keep this manual in a safe location for future reference.

English = p 2

⚠ ADVERTENCIA

No opere este equipo al menos que haya leído y comprendido el contenido de este manual! Cualquier falla en el seguimiento de las instrucciones contenidas en este manual puede resultar en un serio lesión o muerte. Este manual contiene importante información sobre seguridad concerniente al mantenimiento, uso y operación de este producto. Si usted no puede entender el contenido de este manual por favor pregunte a su supervisor. Almacenar este manual en una localización segura para la referencia futura.

⚠ AVERTISSEMENT

Ne pas utiliser cet équipement sans avoir lu et compris le contenu de ce manuel ! Le non-respect des instructions contenues dans ce manuel peut entraîner de graves blessures ou la mort. Ce manuel contient des informations importantes concernant l'entretien, l'utilisation et le fonctionnement de ce produit. Si vous ne comprenez pas le contenu de ce manuel, veuillez le signaler à votre supérieur. Conservez ce manuel dans un endroit sûr pour pouvoir vous y référer plus tard.

Français = p 31

Important Owner Information	2	Installation	17
Introduction	2	General	17
Important Safety Information	3	Plumbing Installation.....	18
Model Description	5	Electrical-All Sizes and Voltages	23
All Models	5	Operation	24
Imperial Models "S" Series	5	General	24
Compact Models "C" Series.....	5	Maintenance	25
Mini-Compact Models "MC" Series.....	5	General	25
Specifications	6	Thermostat Adjustment	25
Circuit Breaker and Fused Disconnect Switch Sizes	6	High Temperature Limit Safety Switch.....	25
Sizing Chart for Low-Temp Dish Machines	9	Options and Accessories	26
Booster Heater Sizing Chart.....	10	Troubleshooting Guide	27
Capacity Charts	14	Limited Warranty	30
Dimensions	15	Authorized Parts Distributors	Back Cover

IMPORTANT OWNER INFORMATION

Record the model number, serial number, voltage, and purchase date of the unit in the spaces below (specification label located on the unit). Please have this information available when calling Hatco for service assistance.

Model No. _____

Serial No. _____

Voltage _____

Date of Purchase _____

Business Hours: 7:00 AM to 5:00 PM Central Standard Time (CST)
(Summer Hours: June to September—
7:00 AM to 5:00 PM CST Monday–Thursday
7:00 AM to 4:00 PM CST Friday)

Telephone: 800-558-0607; 414-671-6350

e-mail: partsandservice@hatcocorp.com



24 Hour 7 Day Parts and Service Assistance available in the United States and Canada by calling 800-558-0607.

Additional information can be found by visiting our web site at www.hatcocorp.com.

Register your unit!

Completing online warranty registration will prevent delay in obtaining warranty coverage. Access the Hatco website at www.hatcocorp.com, select the *Parts & Service* pull-down menu, and click on "Warranty Registration".

INTRODUCTION

Hatco Electric Booster Water Heaters are designed for use with commercial dish machines to boost the temperature of the regularly available hot water, usually 115°–150°F (46°–66°C) up to 180°F (82°C). Water at 180°F (82°C) can be used as sanitizing rinse water in commercial dish machines in accordance with Health Codes, NSF Standard #5 and plumbing codes.

All Hatco Booster Heaters are ready for electrical and plumbing service connections, with an adjustable ambient compensated immersion thermostat(s) and a high temperature limit switch. The service area is accessible from the front of the unit, permitting easy access.

Hatco Electric Booster Water Heaters are products of extensive research and field testing. The materials used were selected for maximum durability, attractive appearance, and optimum performance. Every unit is inspected and tested thoroughly prior to shipment.

This manual provides the installation, safety, and operating instructions for the Hatco Electric Booster Water Heaters. Hatco recommends all installation, operating, and safety instructions appearing in this manual be read prior to installation or operation of the unit.

Safety information that appears in this manual is identified by the following signal word panels:



WARNING indicates a hazardous situation which, if not avoided, could result in death or serious injury.



CAUTION indicates a hazardous situation which, if not avoided, could result in minor or moderate injury.



NOTICE is used to address practices not related to personal injury.



Read the following important safety information before using this equipment to avoid serious injury or death and to avoid damage to equipment or property.

WARNING

ELECTRIC SHOCK HAZARD:

- Unit must be installed by qualified, trained installers. Installation must conform to all local electrical and plumbing codes. Installation by unqualified personnel will void the unit warranty and may lead to electric shock or burn, as well as damage to unit and/or its surroundings. Check with local plumbing and electrical inspectors for proper procedures and codes.
- Turn OFF power at fused disconnect switch/circuit breaker and allow unit to cool before performing any cleaning, adjustments, or maintenance.
- Consult a licensed electrical contractor for proper electrical installation conforming to local electrical codes and the National Electrical Code (N.E.C.).
- Unit is not weatherproof. Locate unit indoors where ambient air temperature is a minimum of 70°F (21°C).
- Do not place aftermarket covers on or over booster heater. Doing so can cause temperature and moisture build-up resulting in premature failure and electrical shock.
- This unit must be serviced by qualified personnel only. Service by unqualified personnel may lead to electric shock or burn.
- Use only Genuine Hatco Replacement Parts when service is required. Failure to use Genuine Hatco Replacement Parts will void all warranties and may subject operators of the equipment to hazardous electrical voltage, resulting in electrical shock or burn. Genuine Hatco Replacement Parts are specified to operate safely in the environments in which they are used. Some aftermarket or generic replacement parts do not have the characteristics that will allow them to operate safely in Hatco equipment.

Valves supplied by Hatco are designed for high-temperature commercial operation. Do not substitute Hatco valves with valves designed for domestic water heaters.

Temperature/pressure protective equipment should not be less than a combination temperature/pressure relief valve certified by a nationally recognized testing laboratory that maintains periodic inspection of the production of this equipment and meets the requirements for Relief Valves and Automatic Shutoff Devices for Hot Water Supply Systems, ANSI Z21.22-1979. The temperature/pressure relief valve must be marked with a minimum set pressure not to exceed the marked hydrostatic test pressure of the booster heater as noted on the unit specifications.

EXPLOSION HAZARD: Do not store or use gasoline or other flammable vapors or liquids in the vicinity of this or any other appliance.

WARNING

FOR INSTALLING PRESSURE AND TEMPERATURE RELIEF VALVES IN ACCORDANCE WITH AMERICAN NATIONAL STD. Z21.22-1979. Combination pressure and temperature relief valves with extension thermostats must be installed so that the temperature-sensing element is immersed in the water within the top 6" (152 mm) of the tank. They must be installed directly in a tank tapping. Combination pressure and temperature relief valves that do not have extension elements must be mounted directly in a tank tapping located within the top 6" (152 mm) of the tank, and shall be adequately insulated and located so as to assure isolation from ambient conditions that are not indicative of stored water temperature. **TO AVOID WATER DAMAGE OR SCALDING DUE TO VALVE OPERATION, DRAIN PIPE MUST BE CONNECTED TO VALVE OUTLET AND RUN TO A SAFE PLACE OF DISPOSAL.** Discharge line must be as short as possible and be the same size as the valve discharge connection throughout its entire length. Drain line must pitch downward from the valve and must terminate between 1-1/2" (38 mm) and 6" (152 mm) above the floor drain where any discharge will be clearly visible. The drain line shall terminate plain, not threaded, with material serviceable for temperatures up to 250°F (121°C) or greater. Excessive length, over 30' (9.1 m), or use of more than four elbows can cause a restriction and reduce the discharge capacity of the valve. No shut-off valve shall be installed between the relief valve and tank, or in the drain line. Valve lever must be tripped periodically to assure that waterways are clear. This device is designated for emergency safety relief and shall not be used as an operating control. The valves are set to relieve at 150 psi (1034 kPa) or when water temperature reaches 210°F (99°C). Read tag on valve for additional information.

Use only copper plumbing material. Non-copper plumbing material may create an unsafe condition.

Units are equipped with a high temperature limit safety switch that will shut off the power if the unit overheats. Contact an Authorized Hatco Service Agent if the high temperature limit safety switch cannot be reset or continues to trip.

Install booster water heater in a horizontal position with the base parallel to the floor and the inlet connection at the lowest point. Improper installation could create an unsafe condition.

Do not connect booster water heaters to domestic (consumer) dish machines or other domestic utilized equipment. This booster may damage domestic equipment.



Read the following important safety information before using this equipment to avoid serious injury or death and to avoid damage to equipment or property.

WARNING

This product contains fiberglass, a product known to the state of California to cause cancer, birth defects, or other reproductive harm.

Install booster water heater as close as possible to a commercial dish machine. Employ re-circulation if distance between water heater and dish machine exceeds National Sanitation Foundation (NSF) specifications of five (5) linear feet (1524 mm).

Follow standard welding safety and operational procedures when attaching sliderails to bottom of dishtable.

Make sure the dishtable is strong enough to support the weight of the heater AND water when installing with slide mounting brackets.

Refer to the **BOOSTER HEATER SIZING CHART** in this manual to ensure proper sizing and avoid personal injury and/or damage to the booster heater.

It is essential to recognize that even though a water heater may be properly installed initially and approved, there always exists the possibility that unknowing individuals might alter or change the installation in a manner that would render it unsafe. Therefore, it is important that all safety programs provide some mechanism to assure that these installations are inspected periodically.

This unit has no "user-serviceable" parts. If service is required on this unit, contact an Authorized Hatco Service Agent or contact the Hatco Service Department at 800-558-0607 or 414-671-6350.

CAUTION

BURN HAZARD:

- Water in unit is very hot. Wear protective gloves and proper attire when operating to avoid injury.
- Valves supplied by Hatco are designed for high temperature commercial operation. Do not substitute Hatco valves with valves designed for domestic water heaters.

Do not use anti-siphon valves on incoming water line.

Check valves on incoming water line is not recommended. Damages caused by the use of check valves on unit will not be covered by warranty.

Do not connect booster heater directly to a boiler or furnace coil or any other uncontrolled temperature source. The booster heater thermostat could be damaged causing unit to overheat.

Do not connect an expansion tank of any type to booster heater water lines.

CAUTION

Hatco requires that two temperature/pressure gauges (Hatco P/N 03.01.003.00) be installed to ensure proper operation. Install one in the supply line before the pressure reducing valve and one in the outlet line as close to the booster heater as possible. This provides a visual check of the water temperature and pressure before and after the water heater.

If water supply pressure to the booster inlet is over 20 psi (138 kPa) during flow, install pressure reducing valve with built-in bypass (Hatco P/N 03.02.004.00) for proper operation of dish machine rinse nozzles.

NOTE: The pressure reducing valve must be the type equipped with a high pressure bypass, as supplied by Hatco.

DO NOT turn on power to the booster heater until tank has been filled with water and all air has been vented through the dish machine rinse nozzles. Heating elements will burn out in seconds if operated when not immersed in water.

NOTICE

Always drain booster heater with power to the unit off or element burnout could occur.

Use dielectric couplings when connecting dissimilar metals, such as galvanized to copper. This will prevent electrolysis or premature plumbing damage.

Do not turn or adjust outlet water connection on all Large Compact Series units (C-24 to C-57).

Do not turn or adjust inlet water connection on Compact Series Booster Heaters or internal water flow will change.

Do not back out or loosen any pipe fittings or leaks may occur.

Do not lay unit on the side with the control panel. Damage to the unit could occur.

Incoming water in excess of 3 grains of hardness per gallon (GPG) (0.75 grains of hardness per liter [GPL]) must be treated and softened before being supplied to booster heater(s). Water containing over 3 GPG (0.75 GPL) will decrease efficiency, increase energy use, and reduce the operating life of the unit through increased lime build-up. Product failure caused by liming or sediment buildup is not covered under warranty.

Do not use deionized water. Deionized water will shorten the life of water reservoir and heating element.

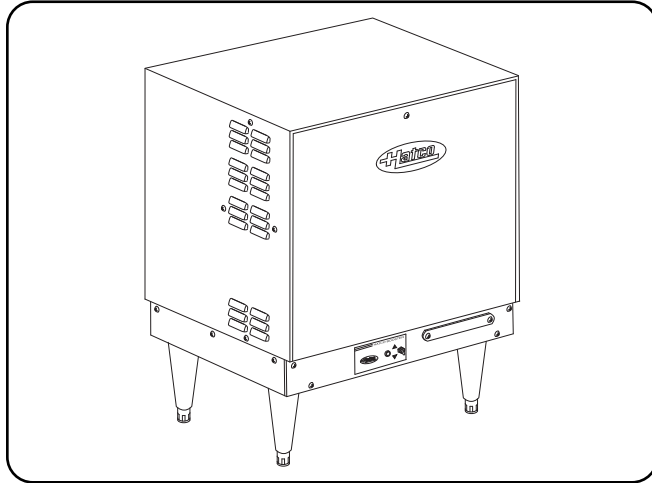
Units are voltage-specific. Refer to specification label for electrical requirements before beginning installation. Connecting unit to incorrect power supply will void product warranty and may damage unit.

All Models

Hatco Electric Water Booster Heaters are available in three models: Imperial, Compact, and Mini-Compact. All standard models include a booster heater with low-water cut-off system, temperature/pressure relief valve, pressure reducing valve with built-in high pressure bypass, two temperature/pressure gauges and a high temperature limit safety switch.

Imperial Models "S" Series

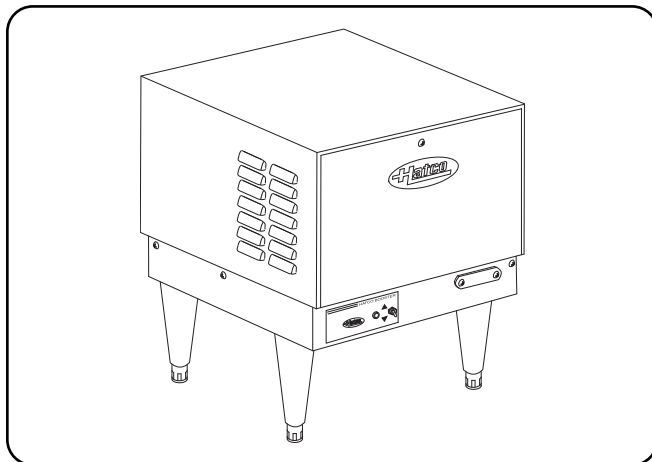
Hatco Imperial models feature a Castone® tank with a 10 year limited tank warranty, a Power ON/OFF (I/O) switch, an indicator light and 6" (152 mm) legs. Imperial units have a capacity of 16 gallons (61 liters) and provide up to 573 gallons per hour (gph) (2169 liters per hour [lph]) of sanitizing rinse water based on a 40°F (22°C) temperature rise.



Imperial Model

Compact Models "C" Series

Hatco Compact models feature a Castone® tank with a 10 year limited tank warranty, a Power ON/OFF (I/O) switch, an indicator light and either 6" (152 mm) legs or slide mounting brackets for mounting under a dish table. Compact units have a capacity of 6 gallons (23 liters) and provide up to 573 gph (2169 lph) of sanitizing rinse water based on a 40°F (22°C) temperature rise.

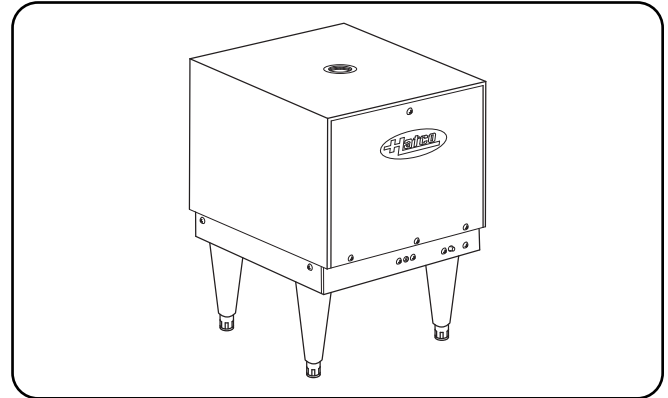


Compact Model

Mini-Compact Models "MC" Series

Hatco Mini-Compact models feature a stainless steel tank with a 10 year limited tank warranty and 6" (152 mm) legs. Mini-Compact units have a capacity of 3.2 gallons (12 liters) and provide up to 172 gph (651 lph) of sanitizing rinse water based on a 40°F (22°C) temperature rise. Ideal for either hot water sanitizing or point-of-use hot water dispensing.

NOTE: Mini-Compact models can be configured with an optional Power ON/OFF (I/O) switch.



Mini-Compact Model

Circuit Breaker and Fused Disconnect Switch Sizes — 4 to 12 kW

kW	Voltage	Phase	Amp Draw			Breaker or Fuse Size	Copper Wire Size	Conduit Size
			L1	L2	L3			
4	208	1	19	19	--	30	10	1/2" (13 mm)
	240	1	17	17	--	30	10	1/2" (13 mm)
	480	1	8	8	--	15	14	1/2" (13 mm)
5	208	1	24	24	--	30	10	1/2" (13 mm)
	240	1	21	21	--	30	10	1/2" (13 mm)
	480	1	10	10	--	15	14	1/2" (13 mm)
6	208	1	29	29	--	40	8	1/2" (13 mm)
	208	3	14	25	14	40	8	1/2" (13 mm)
	240	1	25	25	--	40	8	1/2" (13 mm)
	240	3	13	22	13	30	10	1/2" (13 mm)
	380	3	9.2	9.2	9.2	15	14	1/2" (13 mm)
	480	3	6	11	6	15	14	1/2" (13 mm)
	600	3	5.7	5.7	5.7	15	14	1/2" (13 mm)
7	208	1	34	34	--	50	8	1/2" (13 mm)
	208	3	17	29	17	40	8	3/4" (19 mm)
	240	1	29	29	--	40	8	1/2" (13 mm)
	240	3	15	25	15	40	8	1/2" (13 mm)
	380	3	11.4	11.4	11.4	15	14	1/2" (13 mm)
	480	3	7	13	7	20	12	1/2" (13 mm)
	600	3	6.7	6.7	6.7	15	14	1/2" (13 mm)
9	208	1	43	43	--	60	6	1/2" (13 mm)
	208	3	22	38	22	50	8	1/2" (13 mm)
	240	1	38	38	--	50	8	1/2" (13 mm)
	240	3	19	33	19	50	8	1/2" (13 mm)
	380	3	13.3	13.3	13.3	20	12	1/2" (13 mm)
	480	3	9	16.3	9	30	12	1/2" (13 mm)
9.9	208	1	47.5	47.5	--	60	6	1/2" (13 mm)
	208	3	27.5	27.5	27.5	40	8	1/2" (13 mm)
10.4	208	3	28.8	28.8	28.8	40	8	1/2" (13 mm)
10.5	208	1	51	51	--	70	4	3/4" (19 mm)
	208	3	29	29	29	40	8	1/2" (13 mm)
	240	1	44	44	--	60	6	1/2" (13 mm)
	240	3	25.3	25.3	25.3	40	8	1/2" (13 mm)
	480	3	12.6	12.6	12.6	20	12	1/2" (13 mm)
	600	3	10	10	10	15	14	1/2" (13 mm)
11.4	240	1	47.5	47.5	--	60	6	1/2" (13 mm)
	240	3	27.5	27.5	27.5	40	8	1/2" (13 mm)
	480	3	13.7	13.7	13.7	20	12	1/2" (13 mm)
12	208	1	58	58	--	90	3	1" (25 mm)
	208	3	33	33	33	50	8	1/2" (13 mm)
	240	1	50	50	--	70	4	3/4" (19 mm)
	240	3	29	29	29	40	8	1/2" (13 mm)
	380	3	19.1	19.1	19.1	30	10	1/2" (13 mm)
	480	3	14.5	14.5	14.5	20	12	1/2" (13 mm)
	600	3	11.6	11.6	11.6	15	14	1/2" (13 mm)

The shaded area contains electrical information for **International models only**.

NOTE: 250 kcmil maximum wire size for terminal block.

Circuit Breaker and Fused Disconnect Switch Sizes — 13.5 to 30 kW

kW	Volts	Phase	Amp Draw			Breaker or Fuse Size	Copper Wire Size	Conduit Size
			L1	L2	L3			
13.5	208	1	65	65	--	90	3	1" (25 mm)
	208	1	38	38	38	50	8	1/2" (13 mm)
	240	1	56.3	56.3	--	90	3	1" (25 mm)
	240	1	33	33	33	50	8	1/2" (13 mm)
	480	1	16.3	16.3	16.3	30	10	1/2" (13 mm)
	600	1	13	13	13	20	12	1/2" (13 mm)
15	208	1	72	72	--	90	3	1" (25 mm)
	208	3	41.7	41.7	41.7	60	6	3/4" (19 mm)
	240	1	62.5	62.5	--	90	3	1" (25 mm)
	240	3	36.1	36.1	36.1	50	8	1/2" (13 mm)
	380	3	23.0	23.0	23.0	30	10	1/2" (13 mm)
	480	3	18.1	18.1	18.1	30	10	1/2" (13 mm)
	600	3	14.5	14.5	14.5	20	12	1/2" (13 mm)
17.25	208	3	47.9	47.9	47.9	60	6	3/4" (19 mm)
18	208	1	86.5	86.5	--	125	1	1-1/4" (32 mm)
	208	3	50	50	50	70	4	1" (25 mm)
	240	1	75	75	--	100	3	1" (25 mm)
	240	3	43.4	43.4	43.4	60	6	3/4" (19 mm)
	380	3	27.3	27.3	27.3	40	8	1/2" (13 mm)
	480	3	21.7	21.7	21.7	30	10	1/2" (13 mm)
	600	3	17	17	17	30	10	1/2" (13 mm)
24	208	1	115.4	115.4	--	150	1/0	1-1/4" (32 mm)
	208	3	66.7	66.7	66.7	90	3	1" (25 mm)
	240	1	100	100	--	125	1	1-1/4" (32 mm)
	240	3	57.8	57.8	57.8	90	3	1-1/4" (32 mm)
	380	3	38.0	38.0	38.0	50	8	1/2" (13 mm)
	480	3	29.9	29.9	29.9	40	8	1/2" (13 mm)
	600	3	23	23	23	30	10	1/2" (13 mm)
27	208	1	129.8	129.8	--	175	2/0	1-1/4" (32 mm)
	208	3	75	75	75	100	3	1" (25 mm)
	240	1	112.5	112.5	--	150	1/0	1-1/4" (32 mm)
	240	3	65	65	65	90	3	1" (25 mm)
	380	3	38.1	38.1	38.1	50	8	1/2" (13 mm)
	480	3	32.5	32.5	32.5	50	8	1/2" (13 mm)
	600	3	26	26	26	40	8	1/2" (13 mm)
30	208	1	144	144	--	200	3/0	1-1/2" (38 mm)
	208	3	83.3	83.3	83.3	125	1	1-1/4" (32 mm)
	240	1	125	125	--	175	2/0	1-1/2" (38 mm)
	240	3	72.3	72.3	72.3	100	3	1" (25 mm)
	380	3	45.7	45.7	45.7	60	6	3/4" (19 mm)
	480	3	36	36	36	50	8	1/2" (13 mm)
	600	3	28.9	28.9	28.9	40	8	1/2" (13 mm)

Wire size is based on THHN insulated, copper wire for branch circuit protection at .91 derate factor. Circuit breakers and fused disconnects are to be mounted remote and wired by contractor. Sizes are based on the 2002 NEC table 310-16. Conduit size based on conductors plus ground wire sizing per Table C1 from Appendix C.

Only 6, 7 and 9 kW models can be field converted to single or three phase (open delta on 3 phase). Check wiring diagram supplied with the unit when converting the phase of the unit. Larger branch circuit required than for balanced 3 phase of equal kW. Balanced 3 phase available, consult factory.

Circuit Breaker and Fused Disconnect Switch Sizes — 36 to 57 kW

kW	Volts	Phase	Amp Draw			Breaker or Fuse Size	Copper Wire Size	Conduit Size
			L1	L2	L3			
36	208	1	173	173	--	225	4/0	1-1/2" (38 mm)
	208	3	100	100	100	125	1	1-1/4" (32 mm)
	240	1	150	150	--	200	3/0	1-1/2" (38 mm)
	240	3	86.7	86.7	86.7	125	1	1-1/4" (32 mm)
	380	3	54.7	54.7	54.7	70	4	1" (25 mm)
	480	3	43.3	43.3	43.3	60	6	3/4" (19 mm)
	600	3	34.7	34.7	34.7	50	8	1/2" (13 mm)
39	208	1	187.5	187.5	--	250	250 kcmil	2" (51 mm)
	208	3	108	108	108	150	1/0	1-1/4" (32 mm)
	240	1	163.5	163.5	--	225	4/0	2" (51 mm)
	240	3	94	94	94	125	1	1-1/4" (32 mm)
	380	3	59.3	59.3	59.3	90	3	1" (25 mm)
	480	3	47	47	47	60	6	3/4" (19 mm)
	600	3	37.6	37.6	37.6	50	8	1/2" (13 mm)
40	208	3	61.6	61.6	61.6	90	3	1" (25 mm)
40.5	208	3	112.5	112.5	112.5	150	1/0	1-1/4" (32 mm)
	240	3	97.5	97.5	97.5	125	1	1-1/4" (32 mm)
	480	3	48.8	48.8	48.8	70	4	1" (25 mm)
	600	3	39	39	39	50	8	3/4" (19 mm)
45	208	3	125	125	125	175	2/0	1-1/2" (38 mm)
	240	1	188	188	--	250	250 kcmil	2" (51 mm)
	240	3	108	108	108	150	1/0	1-1/4" (32 mm)
	380	3	68.6	68.6	68.6	90	3	1" (25 mm)
	480	3	54	54	54	70	4	1" (25 mm)
	600	3	43.4	43.4	43.4	60	6	3/4" (19 mm)
54	208	3	150	150	150	200	3/0	2" (51 mm)
	240	3	130	130	130	175	2/0	1-1/2" (38 mm)
	380	3	82	82	82	125	1	1-1/4" (32 mm)
	480	3	65	65	65	90	3	1" (25 mm)
	600	3	52	52	52	70	4	1" (25 mm)
57	208	3	158.4	158.4	158.4	200	3/0	2" (51 mm)
	240	3	137.3	137.3	137.3	175	2/0	1-1/2" (38 mm)
	380	3	86.7	86.7	86.7	125	1	1-1/4" (32 mm)
	480	3	68.6	68.6	68.6	90	3	1" (25 mm)
	600	3	54.9	54.9	54.9	70	4	1" (25 mm)

The shaded area contains electrical information for **International models only**.

Wire size is based on THHN insulated, copper wire for branch circuit protection at .91 derate factor. Circuit breakers and fused disconnects are to be mounted remote and wired by contractor. Sizes are based on the 2002 NEC table 310-16. Conduit size based on conductors plus ground wire sizing per Table C1 from Appendix C.

NOTE: 250 kcmil maximum wire size for terminal block.



ELECTRIC SHOCK HAZARD: Consult a licensed electrical contractor for proper electrical installation conforming to local electrical codes and the National Electrical Code (N.E.C.).

Sizing Chart for Low-Temp Dish Machines

BOOSTERS RATED AT 30°F (16°C) RISE		Compact Booster	Imperial Booster
Dish Machine	Model Number		
American Dish Service	AH, AH-3D, AH-3D-S, AHC, AHC-3D, AHC-3D-S, ET-A, ET-AF, ET-AH, ET-A-M, ET-AH-M, ET-A-3, ET-AH-3, L-90-3D, L-90-3D-K, L-90-3D-K-S, L-90-3D-S, L-90-3DC, L-90-3DC-K, L-90-3DC-K-S, L-90-3DC-S, L-90-3DW, L-90-3DW-K, L-90-3DW-K-S, L-90-3DW-S, L-90-3DWC, L-90-3DWC-K, L-90-3DWC-K-S, L-90-3DWC-S, WH, WHC	C-4	S-6
	A-3D, A-3D-S, A, AC, AC-3D, AC-3D-S, AH-B, ET-AF-3, ET-AF-M, HT-25, L-60-3D, L-60-3D-K, L-60-3D-K-S, L-60-3D-S, L-60-3DC, L-60-3DC-K, L-60-3DC-K-S, L-60-3DC-S, L-60-3DW, L-60-3DW-K, L-60-3DW-K-S, L-60-3DW-S, L-60-3DWC, L-60-3DWC-K, L-60-3DWC-K-S, L-60-3DWC-S, L-72-3D, L-72-3D-K, L-72-3D-K-S, L-72-3D-S, L-72-3DC, L-72-3DC-K, L-72-3DC-K-S, L-72-3DC-S, L-72-3DW, L-72-3DW-K, L-72-3DW-K-S, L-72-3DWC-S, L-72-3DWC, L-72-3DWC-K, L-72-3DWC-K-S, L-72-3DWC-S, W, WC	C-5	S-6
	A-B, AD-25, SS-25, 5-AH, 5-AHS	C-6	S-6
	AF, AF-3D, AF-3D-S, AF-B, AFC, AFC-3D, AFC-3D-S, AFW, AFWC, 5, 5-S	C-7	S-7
	ADC-44, ADC-66, 5-AG, 5-AGS, 5-CD-LF, 5-CD-RF	C-9	S-9
Blakeslee	U21-C	C-4	S-6
	D-8-LT	C-6	S-6
	DD-8-LT, R-CC64-LT, R-EE-LT	C-12	S-12
	Series XF-EE-LT, XF-PEE-LT, XF-LL-LT, XF-PLL-LT, XF-MM-LT, XF-PMM-LT, XF-EEE-LT, XF-LLL-LT, XF-MMM-LT	C-13	S-13
	Series R-L-LT, R-PL-LT, R-M-LT, R-PM-LT, F-L-LT, F-PL-LT, F-M-LT, F-PM-LT (single tank)	C-36	S-36
	Series "R" & "F"-CC-LT, -EE-LT, -LL-LT, -MM-LT, -LLL-LT, -MMM-LT, -PCC-LT, -PEE-LT, -PLL-LT, -PMM-LT (multi-tank)	C-24	S-24
	Series XF-L-LT, XF-PL-LT, XF-M-LT, XF-PM-LT (single tank)	C-54	S-54
	Series XF-PEE-LT, XF-PLL-LT, XF-PMM-LT, XF-EEE-LT, XF-LLL-LT, XF-MMM-LT (multi-tank)	C-36	S-36
	FA (Flight-A-Round) and RA (Rack-A-Round) use comparable "F" listing.		
Champion	ULD, ULF	C-6	S-6
	DLF	C-13	S-13
	KL44, KL66	C-36	S-36
CMA Dish Machines	A-1, AH-1, C-1, VAC-1, A-3, AH-3, C-3, L-1C, VAC-3, VAC-4, VAC-5, L-1X	C-4	S-6
	A-2, AH-1, AH-2, AH-3, B-3, C-1, C-2, C-3, EVA-1, EVA-2, EVA-3, EVA-4, EVA-5, VAC-2	C-6	S-6
	B-1	C-7	S-7
	B-2	C-9	S-9
	CMA-44L with tank heater, CMA-66L	C-24	S-24
	CVA-1, CVA-2, CVA-3, CVA-4	C-6	S-6
	CVA-5	C-7	S-7
Hobart	LX-18C, LX-30C, LX-40C, WM-5C, SR24C	C-4	S-6
	LT-1	C-6	S-6
	AM-14, AM-14C	C-7	S-7
	C44A, CRS66A, CPW80A	C-27	S-27
	FT-800	C-30	S-30
Jackson	Conserver 24LT, 200LT, ES1000, (Ecolab/Jackson)	C-4	S-6
	Conserver 1, Conserver XL, ES2000 (Ecolab/Jackson)	C-9	S-9
	Conserver 2, Conserver XL2, ES4000 (Ecolab/Jackson)	C-15	S-15
	AJ-44, AJ-66, AJ-80	C-18	S-18
Knight Equipment LTD.	KLE-112-HL	C-5	S-6
	KLE-117i, KLE-117c, KLE-175GT, KLE-175GTM	C-9	S-9
	KLE-235d	C-13	S-13
	KLE-175GT Corner, KLE-175GTM Corner	C-12	S-12

Booster Heater Sizing Chart

Dish Machine	Model Number	ELECTRIC COMPACT BOOSTER		ELECTRIC IMPERIAL BOOSTER		
		Temperature Rise		Temperature Rise		
		40°F (22°C)	70°F (39°C)	40°F (22°C)	70°F (39°C)	
Adamation	CSL-1390, CA-2, CA-3, CA-4, SLAP 44	.C-39	(2)C-36	.S-39	(2)S-36	
	CA, CA-1	.C-54	(2)C-45	.S-54	(2)S-45	
Alvey	FLC-10, SL-2S	---	---	.S-6	.S-9	
	FLC-12, CL-1, CL-1 Turntable, SA-5A	---	---	.S-7	.S-12	
	FL-2S	---	---	.S-9	.S-13	
	KS-70, KS70M SB	---	---	.S-9	.S-15	
	SL-2D	---	---	.S-13	.S-18	
	FLC-36	---	---	.S-15	.S-27	
	KS-88	---	---	.S-18	.S-30	
	KS-70-N, KS-88-N	---	---	.S-39	(2)S-40	
American Dish Service	AF-ES, AFC-ES	.C-4	.C-7	.C-4	.C-7	
	HT-25	.C-7	.C-12	.S-7	.S-12	
	ACD-44, ADC-66	.C-12	.C-24	.S-12	.S-24	
Blakeslee	UC-21A, UC-21B	.C-4	.C-4	.S-6	.S-6	
	UC-21	.C-6	.C-12	.S-6	.S-12	
	D-8	.C-9	.C-13	.S-9	.S-13	
	D-9	.C-12	.C-17	.S-12	.S-17	
	Series "R" & "F" -CC, -EE, -LL, -MM, -LLL, -MMM, -PCC, -PEE, -PLL, -PMM (multi-tank) with suffix "LC"	.C-13	.C-24	.S-13	.S-24	
	Series XF-EE, XF-LL	.C-17	.C-30	.S-17	.S-30	
	Series XF-LL, XF-PLL, XF-MM, XF-PMM, XF-EEE, XF-LLL, XF-MMM (multi-tank) with suffix "LC"	.C-17	.C-30	.S-17	.S-30	
	DD-8	.C-18	.C-30	.S-18	.S-30	
	Series F-E, FA-EE, FA-PEE, FA-LL, FA-PLL, FA-MM, FA-PMM, F-EEE, FA-EEE, FA-LLL, FA-MMM, F-PE	.C-30	.C-54	.S-30	.S-54	
	Series R-L, R-PL, R-M, R-PM, F-L, F-PL, F-M, F-PM (single tank)	.C-36	.C-54	.S-36	.S-54	
	Series XF-L, XF-PL, XF-M, XF-PM, (single tank)	(2)C-36	---	(2)S-36	---	
	Series R-E, R-PE, XF-PEE, XF-PLL, XF-PMM, XF-EEE, XF-LLL, XF-MMM (multi-tank)	.C-45	(2)C-30	.S-45	(2)S-30	
	FA (Flight-A-Round) and RA (Rack-A-Round) use comparable "F" listing.					
	XF-EE, XF-EE-LT (with LT suffix)	.C-17	.C-36	.S-17	.S-36	
	Champion	U-H1, UH-200, UH-200B, U-HB	.C-4	.C-6	.S-6	.S-6
		UL-100, UH-100B, UH-170B, UH-200B, DH-2000	.C-6	.C-9	.S-6	.S-9
		UL-150	.C-4	.C-7	.S-6	.S-7
		UH-150, UH-150B, UH-100, UH-100B, DHB-VS	.C-5	.C-9	.S-6	.S-9
D-H1, D-HB, D-H1T, D-HBT		.C-6	.C-12	.S-6	.S-12	
44 DRWS, 66 DRPWWS, 80 DRHDPWWS, 70 DRFFPWWS		.C-9	.C-13	.S-9	.S-13	
PP-28		.C-9	.C-15	.S-9	.S-15	
D-H1C, D-H1TC		.C-9	.C-18	.S-9	.S-18	
44DR, 66DRPW, 80DRHDFW, 70DRFFPW, 54DR		.C-12	.C-24	.S-12	.S-24	
66WSPW, 44-WS, 66-WS, 64, 90FFPW, 100HDPW, 86 PW, 84, 106 PW, 120 HDPW, 110 FFPW		.C-13	.C-24	.S-13	.S-24	
UC-CW6-WS		.C-24	.C-36	.S-24	.S-36	
US-CW8-WS		.C-24	.C-39	.S-24	.S-39	
44, 66 PW, 70FFPW, 80HDPW, 54, 76PW, 80FFPW, 90HDPW		.C-24	.C-45	.S-24	.S-45	
40-KB, 40-KB-2-2, 40-KFWB, 40-KPRB, 40KPRB-2-2, 40KPRB-2-3, 60-KB, 60-KB-2-2, 60-KFWB, 60-KFWB-2-2, 60-KPRB, 60-KPRB-2-3, 64KB, 64-KB Corner, 64-KPRB, 64-KPRB Corner, 64 Modular, 86 Modular		.C-30	.C-54	.S-30	.S-54	
44-KB, 44-KB Corner, 44-KPRB, 44-KPRB Corner, 54-KB, 54-KB Corner, 54-KPRB, 54-KPRB Corner, 44 Modular, 66 PW Modular, UC** Series 6' Center, UC-C4		.C-36	.C-57	.S-36	.S-57	
UC-CW4		.C-36	(2)C-36	.S-36	(2)S-36	
UC-C		.C-45	(2)C-36	.S-45	(2)S-36	
UC**CW Series 6' Center		.C-45	(2)C-39	.S-45	(2)S-40	
W-6-WS, W6		.C-45	(2)C-45	.S-45	(2)S-40	



Booster Heater Sizing Chart (continued)

Dish Machine	Model Number	ELECTRIC COMPACT BOOSTER		ELECTRIC IMPERIAL BOOSTER	
		Temperature Rise		Temperature Rise	
		40°F (22°C)	70°F (39°C)	40°F (22°C)	70°F (39°C)
CMA					
Dish	CMA-180	C-7	C-12	S-7	S-12
Machines	CMA-44/66	C-24	C-36	S-24	S-36
	CMA-44H with tank heater, CMA-66H	C-36	C-45	S-36	S-45
	EST-44/66	C-12	C-24	S-12	S-24
Hobart	AM-15F	C-4	C-6	S-6	S-6
	LXiC, LXiGC, LX-18C, LX-30C, LX-40C, AM-15F	C-4	C-7	S-6	S-6
	LX-30, SR24, SR24H	C-4	C-7	S-6	S-7
	LX-18, AM-14F, AM-15, AM-15T	C-5	C-9	S-6	S-9
	WM-5C	C-6	C-9	S-6	S-9
	WM-5 (without sump heater)	C-7	C-12	S-7	S-12
	AM-14T, AM-14TC	C-7	C-12	S-7	S-12
	AM-14, AM-14C	C-9	C-12	S-9	S-12
	AM-12, AM-12C*	C-9	C-12	S-9	S-12
	UW-50	---	---	S-15	S-24
	or Opti-Rinse C44A, CRS-66A, CCS-66A, CPW-80A, C54A, CRS-76A, CCS-76A, CPW-90A, C64A, CRS-86A, CCS-86A, CPW-100A, C-88A, CRS-110A, CCS-110A, CPW-124A	C-15	C-27	S-15	S-27
	C-54A, CRS-76A, CPW-90A, CCS-76A	C-39	(2)C-36	S-30	(2)S-36
	C-44A, CRS-66A, CCS-66A, CPW-80A, C-64A, CRS-86A, CCS-86A, CPW-100A	C-30	C-54	S-30	S-54
	C-88A, CRS-110A, CPW-124A, CCS-110A	C-36	C-54	S-36	S-54
	or Opti-Rinse C44AW, CRS-66AW, CCS-66AW, CPW-80AW	C-9	C-15	S-9	S-15
	C-44AW, CRS-66AW, CPW-80AW, CCS-66AW	C-12	C-24	S-12	S-24
	C-44, CRS-66, CPW-80	C-36	C-54	S-36	S-54
	C-54, CRS-76, CPW-90	C-54	(2)C-39	S-54	(2)S-39
	C-64W, CRS-86W, CPW-100W, C-88W, CRS-110W, CPW-124W, CCS-86W	C-24	C-36	S-24	S-36
	C-64, CRS-86, CPW-100	C-45	(2)C-36	S-45	(2)S-36
	FT800W, FT-900W	C-24	C-39	S-24	S-39
	FT-600, FT-700	C-54	(2)C-39	S-54	(2)S-39
	FT800	C-39	(2)C-39	S-39	(2)S-39
	FT900	C-36	C-57	S-36	S-57
	FT800S, FT-900S	C-39	(2)C-36	S-39	(2)S-36
	UTW-28, UTW-28C	---	---	S-18	S-36
	FRC and FR (Fast Rack Series) use comparable "C" line listing.				
Insinger	GS 302, GS-14	C-4	C-4	S-6	S-6
	45SA-5	C-4	C-7	S-6	S-7
	Commander 18-5 Series, CS-5, CS-5C, CS-5CH, CS-5H, Ensign	C-6	C-12	S-6	S-12
	Commander 18-6 Series	C-6	C-12	S-6	S-12
	Admiral 44-4, 66-4, Speeder 64, 86-3, Clipper (all)	C-24	C-36	S-24	S-39
	Admiral 44-4, 66-4, (Built-In)	ABB-15-8	ABB-27-8	---	---
	135-20, 185-20, 250-20, 60-20, 85-20, R-106-2	C-24	C-25	S-24	S-45
	Century (all)	C-24	C-45	S-24	S-45
	Trac 878	C-24	C-36	S-24	S-36
	Century 14, Clipper RC-##-RPW-W	C-24	C-39	S-24	S-39
	Super 106-2, Trac 321, Trac 321-2/RPW	C-27	C-45	S-27	S-45
	Defender Flight Machine	C-30	C-54	S-30	S-54
	Defender	C-36	C-54	S-36	S-54
	Master RC 3-tank Flight Machine	C-15	C-27	S-15	S-27
	Master RC 4-tank Flight Machine	C-36	C-57	S-36	S-57
	CA-3	---	---	S-9	S-24
	DA-3	---	---	(2)S-9	(2)S-24
	For outdated models, consult factory for correct booster.				

* Hobart Model AM-12 with serial no. 12-067-357 or below and model AM-12C with serial no. 12-067-537 or below require slightly larger booster than listed. 'C' Models with serial no. 85-1041605 or greater use Opti-Rinse.

Shaded area indicates older models prior to Opti-Rinse.

Booster Heater Sizing Chart (continued)

Dish machine	Model Number	ELECTRIC COMPACT BOOSTER Temperature Rise		ELECTRIC IMPERIAL BOOSTER Temperature Rise	
		40°F (22°C)	70°F (39°C)	40°F (22°C)	70°F (39°C)
		Jackson	JP-24, JP-24B, JP-24F, JP-24BF	C-4	C-6
	24B Series	---	C-4	---	S-6
	10AB, 10APRB	---	C-5	---	S-6
	44CE*, 66 CERPW	C-30	C-54	S-30	S-54
	54CE, 76 CERPW	C-36	(2)C-30	S-36	(2)S-30
	64CE, 86 CERPW	C-27	C-39	S-27	S-39
	100	C-12	C-24	S-12	S-24
	100B, 100PRB, 150B, 150PRB	---	C-9	---	S-9
	150	C-12	C-18	S-12	S-18
	200	C-7	C-12	S-7	S-12
	200B	---	C-6	---	S-6
	Tempstar, Tempstar SDS, Tempstar HH	C-6	C-12	S-6	S-12
	TS-44, TS-66	C-24	C-36	S-24	S-36
	AJ-44, AJ-66, AJ-80, WH-44, ES-4400, ES-6600 (Ecolab/Jackson)	C-24	C-45	S-24	S-45
	AJ-54, AJ-76, AJ-90	C-36	(2)C-36	S-36	(2)S-36
	AJ-64, AJ-86, AJ-100	C-24	C-39	S-24	S-39
	*Model #44CE w/SN1999 or below requires larger booster than listed.				
Knight Equipment LTD.	KLE-112-HL	C-7	C-12	S-7	S-12
Meiko	K-44, K-66, K-80	C-24	C-36	S-24	S-36
	K-54, K-76, K-90, K-64, K-86, K-100	C-24	C-45	S-24	S-45
Metalwash/Intedge	FW4	C-12	C-18	S-12	S-18
	RS-30A, RS-28L	---	---	S-15	S-24
	RT-74, RT-60, RT-42B, RT-42BC	---	---	S-27	S-40
	RS-2R	---	---	S-30	S-45

Booster Heater Sizing Chart (continued)

Dish machine	Model Number	ELECTRIC COMPACT BOOSTER		ELECTRIC IMPERIAL BOOSTER	
		Temperature Rise		Temperature Rise	
		40°F (22°C)	70°F (39°C)	40°F (22°C)	70°F (39°C)
Stero	ER-44, ER-44-10, ER-66S, ER-76S, ER-76SC	C-15	C-24	S-15	S-24
	ER-64, ER-86S, ER-94S, ER-94SC	C-15	C-24	S-15	S-24
	SCT-44-10-LW, SCT-44-LW, SCT-66S-LW, SCT-76S-LW, SCT-76SC-LW, SCT-90S-LW	C-15	C-24	S-15	S-24
	SC-1-2-4-LW, SC-1-6-4-LW, SC-2-4-LW, SC-5-2-4-LW, SC-5-6-4-LW, SC-6-4-LW	C-15	C-24	S-15	S-24
	SCT-64, SCT-86S, SCT-94S, SCT-94SC	C-24	C-45	S-24	S-45
	SCT-108S, SCT-108SC, SCT-76, SCT-94SM	C-30	C-54	S-30	S-54
	SC-6-4, SCT-44, SCT-44-10, SCT-66S, SCT-76S, SCT-76SC, SCT-90S	C-36	C-54	S-36	S-54
	SCT-120S, SCT-120SC, SCT-120SM, SCT-150SM	C-36	C-57	S-36	S-57
	STW-110, SC-1-2-7-4, SC-1-6-3-4, SC-1-6-7-4, SC-2-7-4, SC-5-2-7-4, SC-5-6-3-4, SC-5-6-7-4, SC-6-3-4, SC-6-7-4	C-30	C-54	S-30	S-54
	SC-1-2-4, SC-1-6-4, SC-2-4, SC-5-2-4, SC-5-6-4	C-36	(2)C-57	S-36	(2)S-57
	SCT-44-10-SC-1-3-4, SCT-44-10-3-4, SCT-44-SC-1-3-4, SCT-44-SC-3-4, SCT-54-SC-1-3-4, SCT-54-SC-3-4	C-36	C-54	S-36	S-54
	STPC (Four tank)	C-24	C-45	S-24	S-45
	STPCW (Four tank)	C-27	C-45	S-27	S-45
	STPC	C-30	C-54	S-27	S-54
	STPCW	C-36	(2)C-30	S-36	(2)S-30
	SD-2RA, SDRA, SDRA-PACK	C-12	C-18	S-12	S-18
	U-31-A, U-31-AC	---	---	S-24	S-45
	U-31-A2	---	---	(2)S-24	(2)S-45
	STBUW-1	C-45	(2)C-36	S-45	(2)S-36
	SC-2-3-4, SC-5-2-3-4	C-30	C-45	S-30	S-45
	SC20-1 (low temp)	C-12	---	S-12	---
	SC20-2 (low temp)	C-12	C-24	S-12	S-24
	SC-2-8, SC-2-9, SC-1-2-8, SC-5-6-8, SC-6-8, SC-6-9, SC-1-6-8 SC-5-6-9, SC-5-2-9, SC-1-6-9, SC-5-2-8 (low temp)	C-18	C-36	S-18	S-36

This selector chart is based on 40°F (22°C) and 70°F (39°C) temperature rises, 20 psi flow pressure, and minimum rinse cycle timer setting in NSF listing.

All booster heaters are rated at 100% of the capacity of the dish machines as recommended by the National Sanitation Foundation. Where make-up water for wash tank is provided from final rinse supply, chart recommendations are based upon this additional demand (not over 2 GPM) as required by NSF.

NOTE: All sizings shown are that of the dish machine manufacturers. Hatco Corporation is not responsible for incorrect sizing applications.

Capacity — Imperial “S” Series

Model	kW	40°F (22°C) Rise	70°F (39°C) Rise	Storage Capacity	Shipping Weight
S-6	6	60 gph (227 lph)	34 gph (129 lph)	16 gallons (61 liters)	200 lbs. (91 kg)
S-7	7	70 gph (265 lph)	40 gph (151 lph)	16 gallons (61 liters)	200 lbs. (91 kg)
S-9	9	90 gph (341 lph)	52 gph (197 lph)	16 gallons (61 liters)	200 lbs. (91 kg)
S-12	12	120 gph (454 lph)	69 gph (261 lph)	16 gallons (61 liters)	200 lbs. (91 kg)
S-13	13.5	135 gph (511 lph)	77 gph (292 lph)	16 gallons (61 liters)	200 lbs. (91 kg)
S-15	15	151 gph (572 lph)	86 gph (326 lph)	16 gallons (61 liters)	200 lbs. (91 kg)
S-17	17.2	173 gph (655 lph)	99 gph (375 lph)	16 gallons (61 liters)	200 lbs. (91 kg)
S-18	18	181 gph (685 lph)	103 gph (390 lph)	16 gallons (61 liters)	200 lbs. (91 kg)
S-24	24	241 gph (912 lph)	138 gph (522 lph)	16 gallons (61 liters)	214 lbs. (97 kg)
S-27	27	271 gph (1026 lph)	155 gph (587 lph)	16 gallons (61 liters)	214 lbs. (97 kg)
S-30	30	301 gph (1139 lph)	172 gph (651 lph)	16 gallons (61 liters)	214 lbs. (97 kg)
S-36	36	361 gph (1367 lph)	206 gph (780 lph)	16 gallons (61 liters)	214 lbs. (97 kg)
S-39	39	391 gph (1480 lph)	224 gph (848 lph)	16 gallons (61 liters)	214 lbs. (97 kg)
S-40	40.5	407 gph (1541 lph)	232 gph (878 lph)	16 gallons (61 liters)	224 lbs. (102 kg)
S-45	45	452 gph (1711 lph)	258 gph (977 lph)	16 gallons (61 liters)	224 lbs. (102 kg)
S-54	54	542 gph (2052 lph)	310 gph (1174 lph)	16 gallons (61 liters)	224 lbs. (102 kg)
S-57	57	573 gph (2169 lph)	326 gph (1234 lph)	16 gallons (61 liters)	224 lbs. (102 kg)

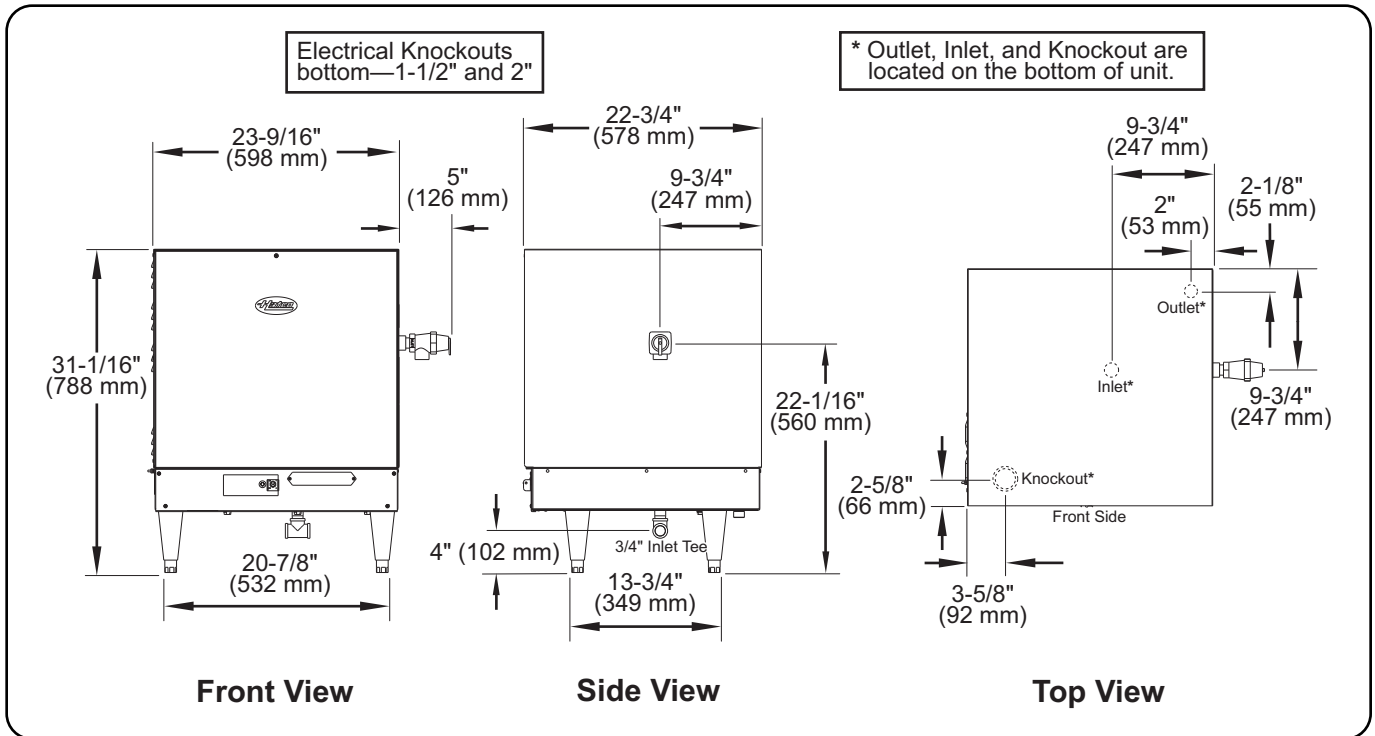
Capacity — Compact “C” Series

Model	kW	40°F (22°C) Rise	70°F (39°C) Rise	Storage Capacity	Shipping Weight
C-4	4	40 gph (151 lph)	23 gph (87 lph)	6 gallons (23 liters)	105 lbs. (48 kg)
C-5	5	50 gph (189 lph)	29 gph (110 lph)	6 gallons (23 liters)	105 lbs. (48 kg)
C-6	6	60 gph (227 lph)	34 gph (129 lph)	6 gallons (23 liters)	118 lbs. (54 kg)
C-7	7	70 gph (265 lph)	40 gph (151 lph)	6 gallons (23 liters)	118 lbs. (54 kg)
C-9	9	90 gph (341 lph)	52 gph (197 lph)	6 gallons (23 liters)	118 lbs. (54 kg)
C-12	12	120 gph (454 lph)	69 gph (261 lph)	6 gallons (23 liters)	120 lbs. (54 kg)
C-13	13	135 gph (511 lph)	77 gph (292 lph)	6 gallons (23 liters)	120 lbs. (54 kg)
C-15	15	151 gph (572 lph)	86 gph (326 lph)	6 gallons (23 liters)	120 lbs. (54 kg)
C-17	17	173 gph (655 lph)	99 gph (375 lph)	6 gallons (23 liters)	120 lbs. (54 kg)
C-18	18	181 gph (685 lph)	103 gph (390 lph)	6 gallons (23 liters)	120 lbs. (54 kg)
C-24	24	241 gph (912 lph)	138 gph (522 lph)	6 gallons (23 liters)	142 lbs. (64 kg)
C-27	27	271 gph (1026 lph)	155 gph (587 lph)	6 gallons (23 liters)	142 lbs. (64 kg)
C-30	30	301 gph (1139 lph)	172 gph (651 lph)	6 gallons (23 liters)	142 lbs. (64 kg)
C-36	36	361 gph (1367 lph)	206 gph (780 lph)	6 gallons (23 liters)	142 lbs. (64 kg)
C-39	39	391 gph (1480 lph)	224 gph (848 lph)	6 gallons (23 liters)	142 lbs. (64 kg)
C-45	45	452 gph (1711 lph)	258 gph (977 lph)	6 gallons (23 liters)	142 lbs. (64 kg)
C-54	54	542 gph (2052 lph)	310 gph (1174 lph)	6 gallons (23 liters)	142 lbs. (64 kg)
C-57	57	573 gph (2169 lph)	326 gph (1234 lph)	6 gallons (23 liters)	142 lbs. (64 kg)

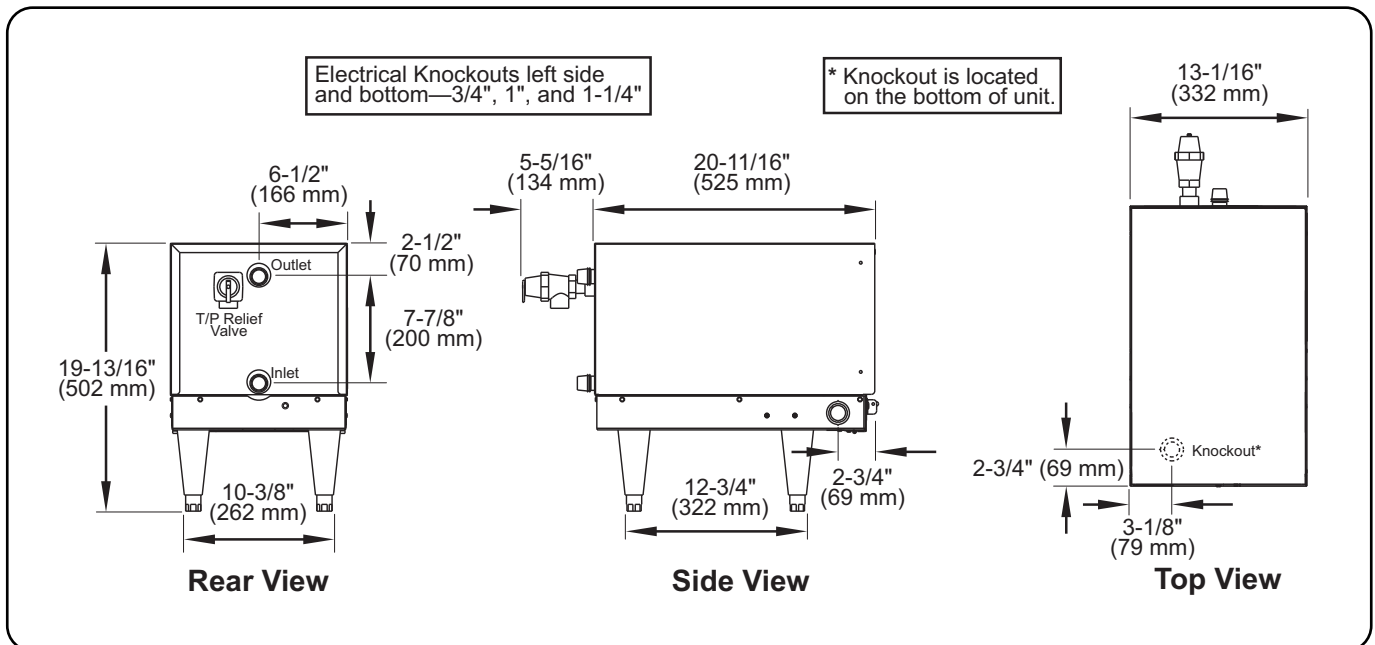
Capacity — Mini-Compact “MC” Series

Model	kW	40°F (22°C) Rise	70°F (39°C) Rise	Storage Capacity	Shipping Weight
MC-10	9.9	99 gph (375 lph)	57 gph (216 lph)	3.2 gallons (12 liters)	48 lbs. (22 kg)
MC-10.5	10.4	104 gph (393 lph)	60 gph (227 lph)	3.2 gallons (12 liters)	48 lbs. (22 kg)
MC-11	11.4	114 gph (432 lph)	65 gph (248 lph)	3.2 gallons (12 liters)	48 lbs. (22 kg)
MC-15	15	150 gph (568 lph)	86 gph (326 lph)	3.2 gallons (12 liters)	48 lbs. (22 kg)
MC-17	17.25	173 gph (655 lph)	99 gph (375 lph)	3.2 gallons (12 liters)	48 lbs. (22 kg)

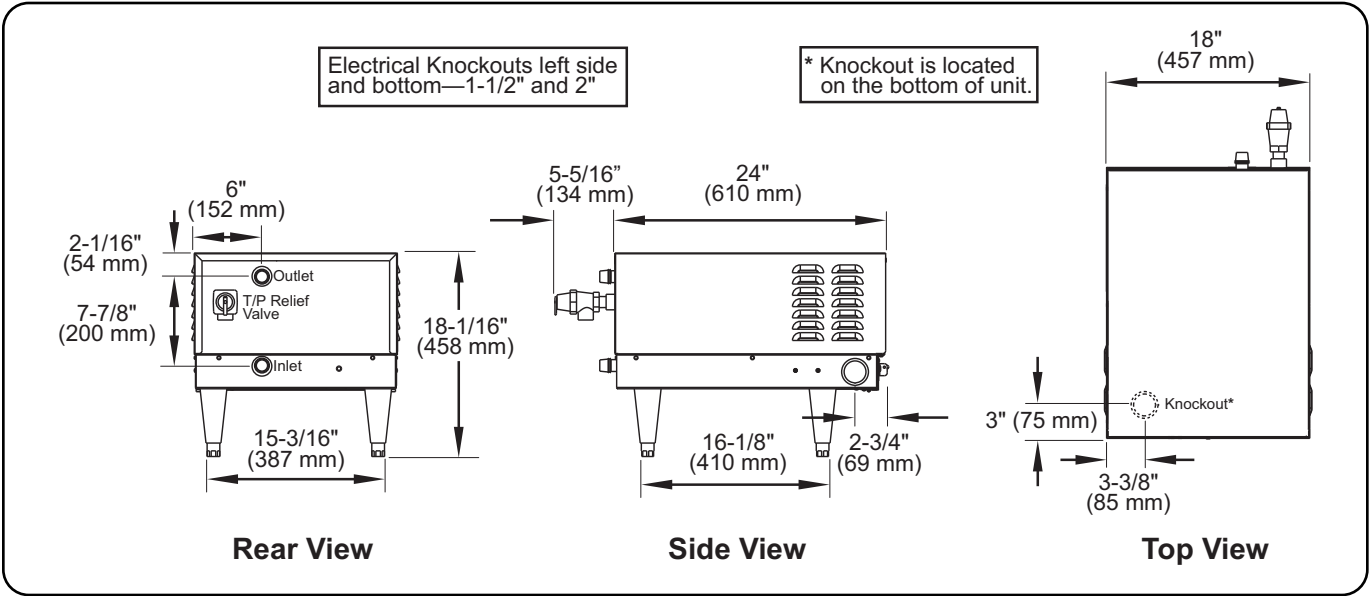
Dimensions — Imperial “S” Series



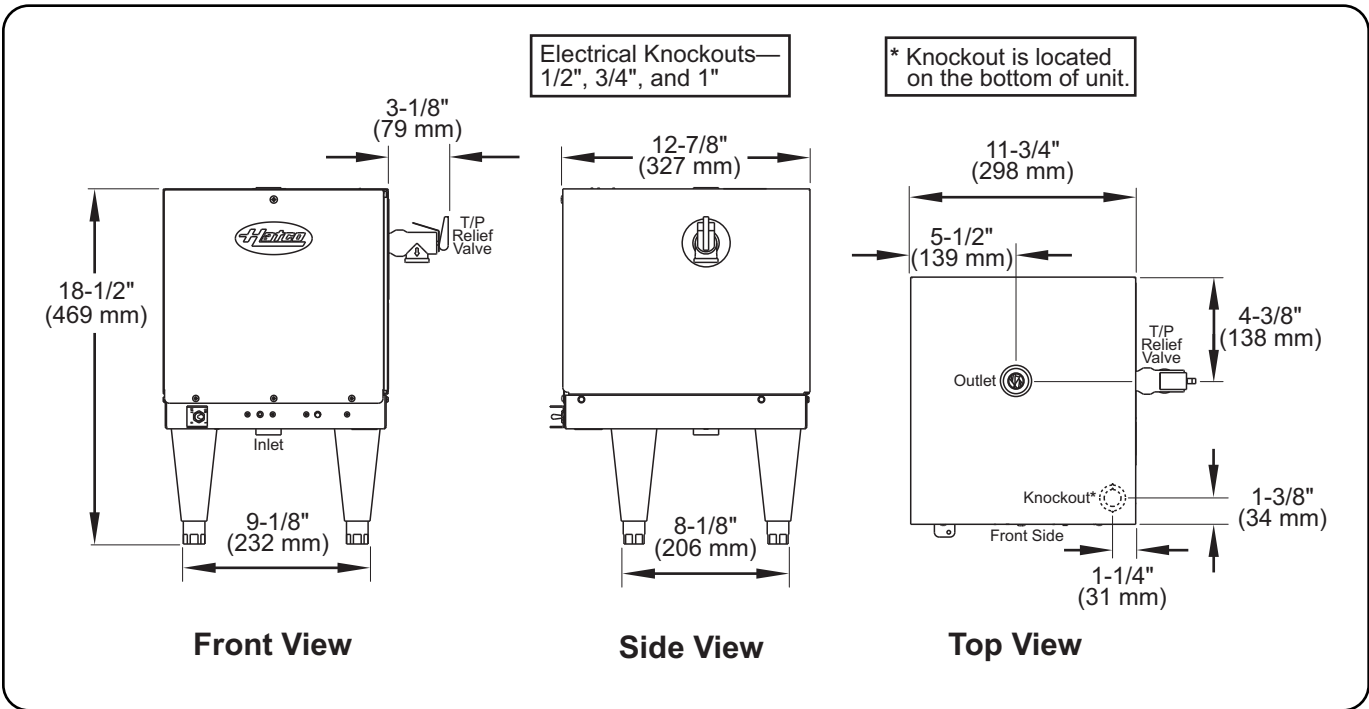
Dimensions — Compact “C” Series 4 to 18 kW



Dimensions — Compact “C” Series 24 to 57 kW



Dimensions — Mini-Compact “MC” Series



General

Booster Heaters are shipped with most components pre-assembled. Care should be taken when unpacking shipping carton to avoid damage to unit and components enclosed. Components are shipped with the heater unit.

⚠ WARNING

ELECTRIC SHOCK HAZARD:

- Unit must be installed by qualified, trained installers. Installation must conform to all local electrical and plumbing codes. Installation by unqualified personnel will void the unit warranty and may lead to electric shock or burn, as well as damage to unit and/or its surroundings. Check with local plumbing and electrical inspectors for proper procedures and codes.
- Unit is not weatherproof. Locate unit indoors where ambient air temperature is a minimum of 70°F (21°C).
- Do not place aftermarket covers on or over booster heater. Doing so can cause temperature and moisture build-up resulting in premature failure and electrical shock.

EXPLOSION HAZARD: Do not store or use gasoline or other flammable vapors or liquids in the vicinity of this or any other appliance.

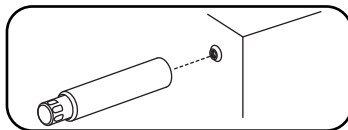
Install booster water heater as close as possible to a commercial dish machine. Employ re-circulation if distance between water heater and dish machine exceeds National Sanitation Foundation (NSF) specifications of five (5) linear feet (1524 mm).

Install booster water heater in a horizontal position with the base parallel to the floor and the inlet connection at the lowest point. Improper installation could create an unsafe condition.

1. Remove the unit from the box.

NOTE: To prevent delay in obtaining warranty coverage, complete online warranty registration. See the IMPORTANT OWNER INFORMATION section for details.

2. Remove tape and protective packaging from all surfaces of unit.
3. If unit is equipped with legs, carefully lay unit on its side and install the four legs.



NOTICE

Do not lay unit on the side with the control panel. Damage to the unit could occur.

NOTE: If unit is not level, use an adjustable wrench to adjust the foot of each leg until unit is level. Each leg is adjustable from 6" (152 mm) to 7" (178 mm).

4. Place the unit in the appropriate location.

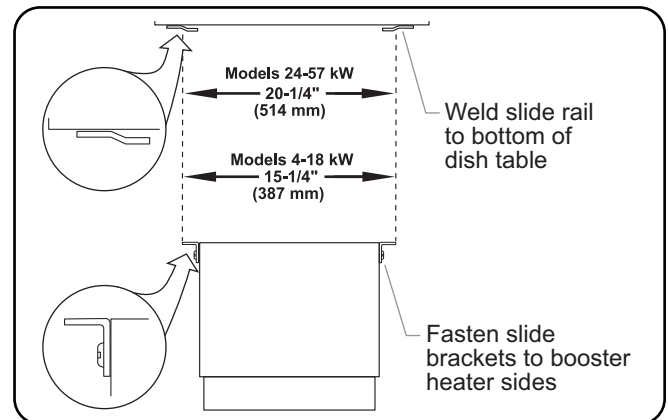
- The location must have a solid foundation along with being clean and dry.
- Adequate front clearance is required to allow for accessibility to the control compartment. Hatco recommends the side clearance be at least 2" (51 mm).
- Location must have adequate clearance to allow for inspection, testing or replacement of pressure and/or temperature relief valve.
- Install the booster heater as close as possible to the commercial dish machine for efficient operation.

⚠ WARNING

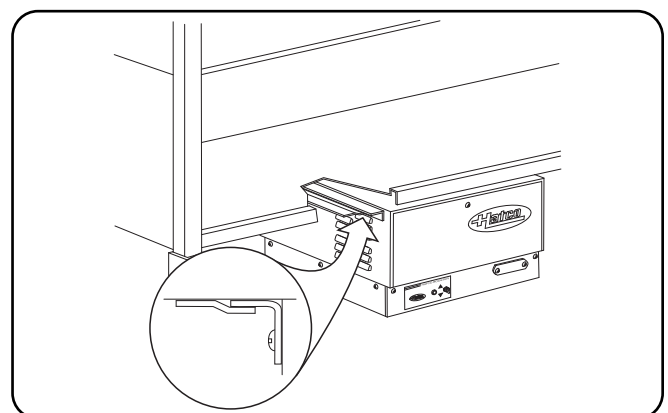
Make sure the dishtable is strong enough to support the weight of the booster heater and water when installing with slide mounting brackets.

Follow standard welding safety and operational procedures when attaching sliderails to bottom of dishtable.

5. Install unit under dishtable using mounting slide brackets, if applicable (Compact Series only).
 - a. Weld slide rails to bottom of dishtable.
 - b. Using Hatco slide brackets as a template, drill 1/8" (3 mm) holes into the sides of the heater jacket.
 - c. Attach slide brackets to sides of heater with supplied screws.
 - d. Slide heater onto slide rails under dishtable.



Hanging Support



Compact Series Heater Mounted to Dishtable

Plumbing Installation

⚠ WARNING

Do not connect booster water heaters to domestic (consumer) dish machines or other domestic utilized equipment. This booster may damage domestic equipment.

Do not connect an expansion tank of any type to booster heater water lines.

Use only copper plumbing material. Non-copper plumbing material may create an unsafe condition.

Refer to the **BOOSTER HEATER SIZING CHART** in this manual to ensure proper sizing and avoid personal injury and/or damage to the booster heater.

⚠ CAUTION

Do not connect booster heater directly to a boiler or furnace coil or any other uncontrolled temperature source. The booster heater thermostat could be damaged causing unit to overheat.

NOTICE

Use dielectric couplings when connecting dissimilar metals, such as galvanized to copper. This will prevent electrolysis or premature plumbing damage.

DO NOT turn or adjust inlet water connection on Compact Series Booster Heaters. Doing so will change the internal water flow.

Do not back out or loosen any pipe fittings. Doing so may cause leaks.

Do not lay unit on the side with the control panel. Damage to the unit could occur.

Incoming water in excess of 3 grains of hardness per gallon (GPG) (0.75 grains of hardness per liter [GPL]) must be treated and softened before being supplied to booster heater(s). Water containing over 3 GPG (0.75 GPL) will decrease efficiency, increase energy use, and reduce the operating life of the unit through increased lime build-up. Product failure caused by liming or sediment buildup is not covered under warranty.

Do not use deionized water. Deionized water will shorten the life of water reservoir and heating element.

NOTE: Product failure caused by liming or sediment buildup is not covered under warranty.

NOTE: A 3/4" union and a drain valve are required for easy servicing.

NOTE: An optional flow restrictor (P/N 03.02.074.00) is available for installation on the water inlet line.

NOTE: Some dish machines require two booster heaters to be plumbed in series (not parallel) to meet the demand. To ensure proper operation, a 30°F (17°C) temperature differential must be maintained between the inlet and outlet of each booster heater.

Inlet

Use the following procedure to install the inlet assembly. Refer to the appropriate "Plumbing Connections" diagram in this section for more information.

1. Connect the booster water inlet to a copper hot water supply line from a normal water heater.

- Water temperature from the water heater should be 115°–145°F (46°–63°C) and **should not exceed 155°F (68°C)**. Minimum temperature differential between inlet and outlet should never be less than 30°F (17°C).

NOTE: Refer to BOOSTER HEATER SIZING CHART for application information.

NOTE: The red mark on the inlet and outlet water pipes of Compact series units must remain in the top most position.

2. Install a shut-off valve (a full opening gate or ball type).

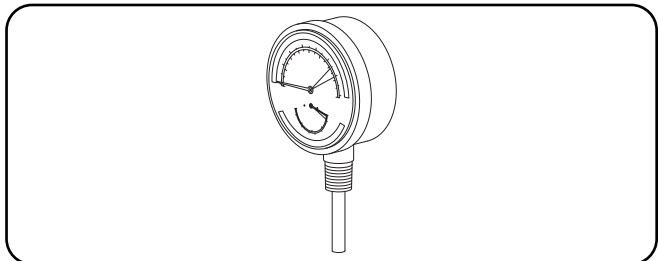
3. Install one of the temperature/pressure gauges.

- When installing the temperature/pressure gauge, the temperature sensing element must be in the water stream and the gauge must be mounted upright.

NOTE: Tighten gauge during installation by turning the 1/2" brass nut only. DO NOT turn the face of the gauge. Turning the face will cause inaccurate measurements.

⚠ CAUTION

Hatco requires that two temperature/pressure gauges (Hatco P/N 03.01.003.00) be installed to ensure proper operation. Install one in the supply line before the pressure reducing valve and one in the outlet line as close to the booster heater as possible. This provides a visual check of the water temperature and pressure before and after the water heater.



Temperature/Pressure Gauge

NOTE: If a check valve is installed and cannot be removed, install a back pressure relief valve (P/N 03.02.039.00) set at 125 psi (862 kPa) on the incoming line between the pressure reducing valve and the inlet to the booster heater. Discharge must be to open site drain.

4. Install the pressure reducing valve if water pressure available to the booster heater inlet is over 25 psi (172 kPa).
- Set pressure reducing valve at 20 psi (138 kPa) flow pressure.

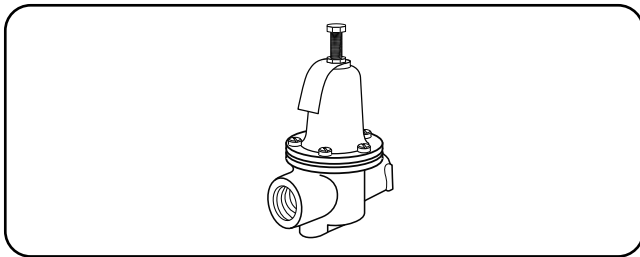
NOTE: Be sure water flows through the pressure reducing valve in the proper direction. Check directional arrow. Valve will reduce pressure only during flow conditions.

CAUTION

If water supply pressure to the booster inlet is over 20 psi (138 kPa) during flow, install standard pressure reducing valve with built-in bypass (Hatco P/N 03.02.004.00) for proper operation of dish machine rinse nozzles.

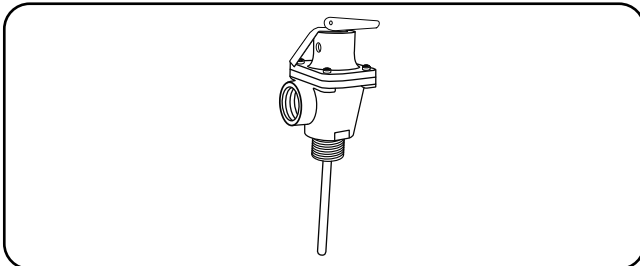
NOTE: The pressure reducing valve must be the type equipped with a high pressure bypass, as supplied by Hatco.

NOTE: Optional brass pressure reducing valve with built-in bypass (Hatco P/N 03.02.015.00) also available.



Pressure Reducing Valve

5. Install the temperature/pressure relief valve.
- Mini-Compact Series: P/N 03.02.020.00
 - Compact and Imperial Series: P/N 03.02.022.00



Temperature/Pressure Relief Valve

WARNING

Temperature/pressure protective equipment should not be less than a combination temperature/pressure relief valve certified by a nationally recognized testing laboratory that maintains periodic inspection of the production of this equipment and meets the requirements for Relief Valves and Automatic Shutoff Devices for Hot Water Supply Systems, ANSI Z21.22-1979. The temperature/pressure relief valve must be marked with a minimum set pressure not to exceed the marked hydrostatic test pressure of the booster heater as noted on the unit specifications.

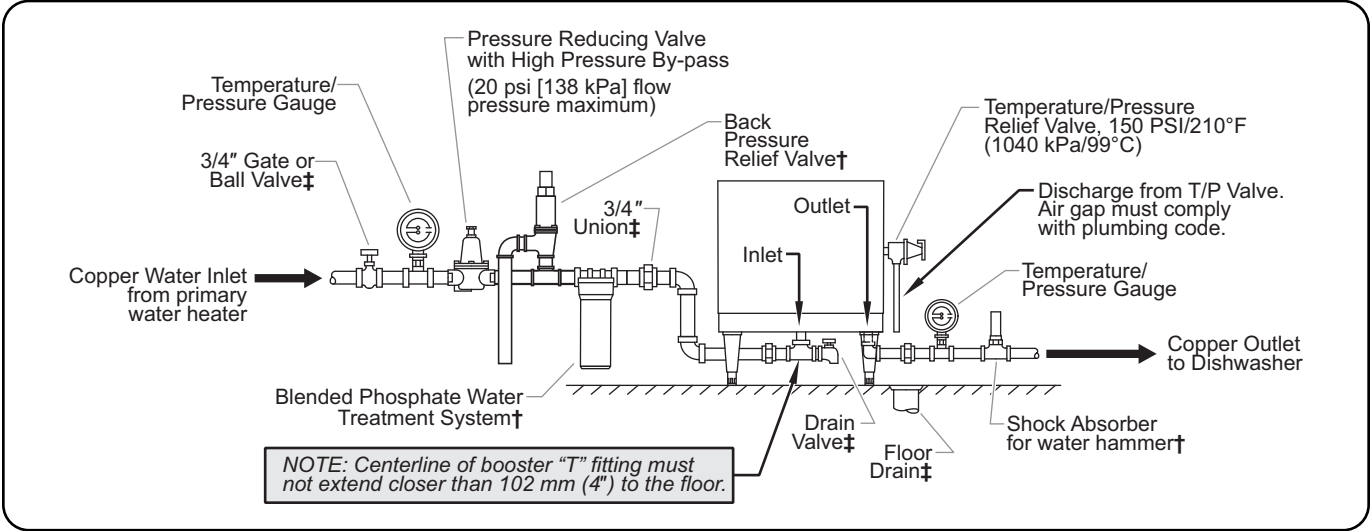
FOR INSTALLING PRESSURE AND TEMPERATURE RELIEF VALVES IN ACCORDANCE WITH AMERICAN NATIONAL STD. Z21.22-1979. Combination pressure and temperature relief valves with extension thermostats must be installed so that the temperature-sensing element is immersed in the water within the top 6" (152 mm) of the tank. They must be installed directly in a tank tapping. Combination pressure and temperature relief valves that do not have extension elements must be mounted directly in a tank tapping located within the top 6" (152 mm) of the tank, and shall be adequately insulated and located so as to assure isolation from ambient conditions that are not indicative of stored water temperature. **TO AVOID WATER DAMAGE OR SCALDING DUE TO VALVE OPERATION, DRAIN PIPE MUST BE CONNECTED TO VALVE OUTLET AND RUN TO A SAFE PLACE OF DISPOSAL.** Discharge line must be as short as possible and be the same size as the valve discharge connection throughout its entire length. Drain line must pitch downward from the valve and must terminate between 1-1/2" (38 mm) and 6" (152 mm) above the floor drain where any discharge will be clearly visible. The drain line shall terminate plain, not threaded, with material serviceable for temperatures up to 250°F (121°C) or greater. Excessive length, over 30' (9.1 m), or use of more than four elbows can cause a restriction and reduce the discharge capacity of the valve. No shut-off valve shall be installed between the relief valve and tank, or in the drain line. Valve lever must be tripped periodically to assure that waterways are clear. This device is designated for emergency safety relief and shall not be used as an operating control. The valves are set to relieve at 150 psi (1034 kPa) or when water temperature reaches 210°F (99°C). Read tag on valve for additional information.

CAUTION

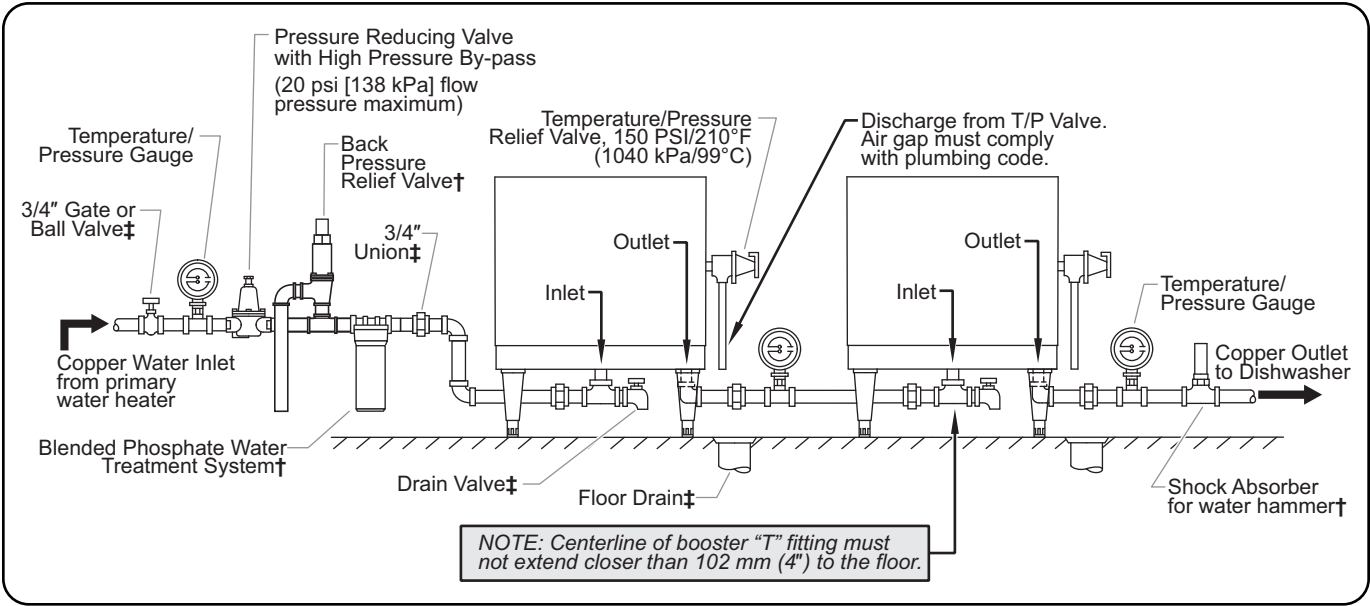
BURN HAZARD: Valves supplied by Hatco are designed for high temperature commercial operation. Do not substitute Hatco valves with valves designed for domestic water heaters.

Do not use an anti-siphon or check valves on incoming water line.

Plumbing Connections



Imperial "S" Series



Two Imperial Models Connected in Series

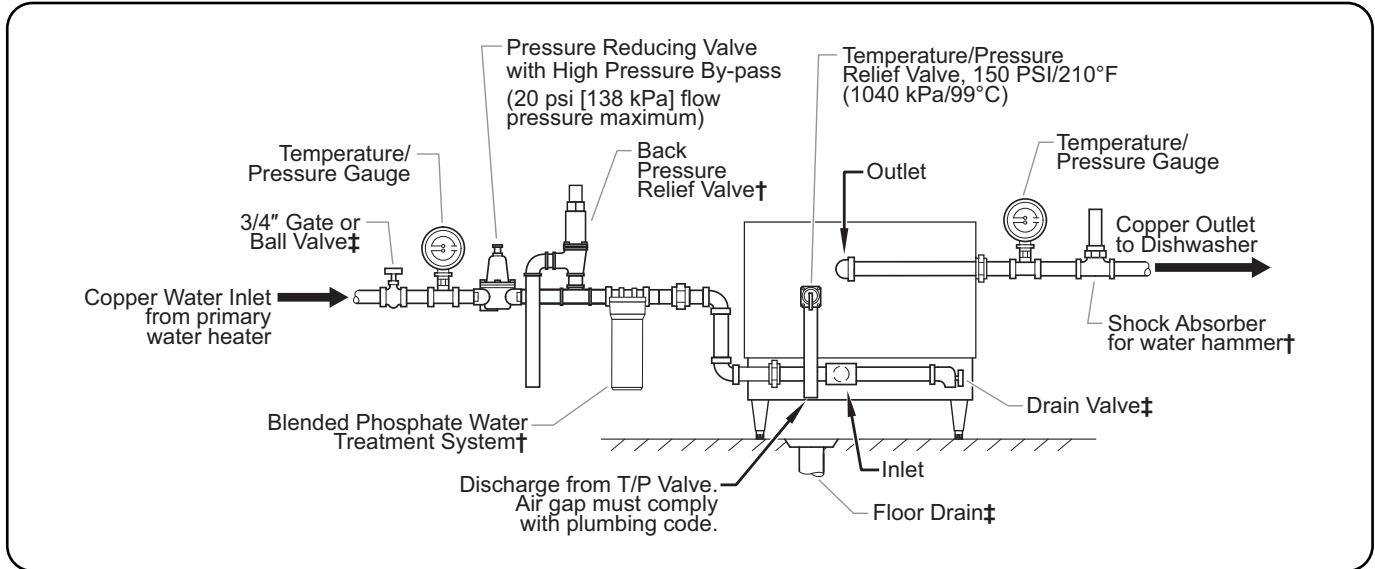
† Not supplied, but is available as an option/accessory.

‡ Not supplied with booster heater.

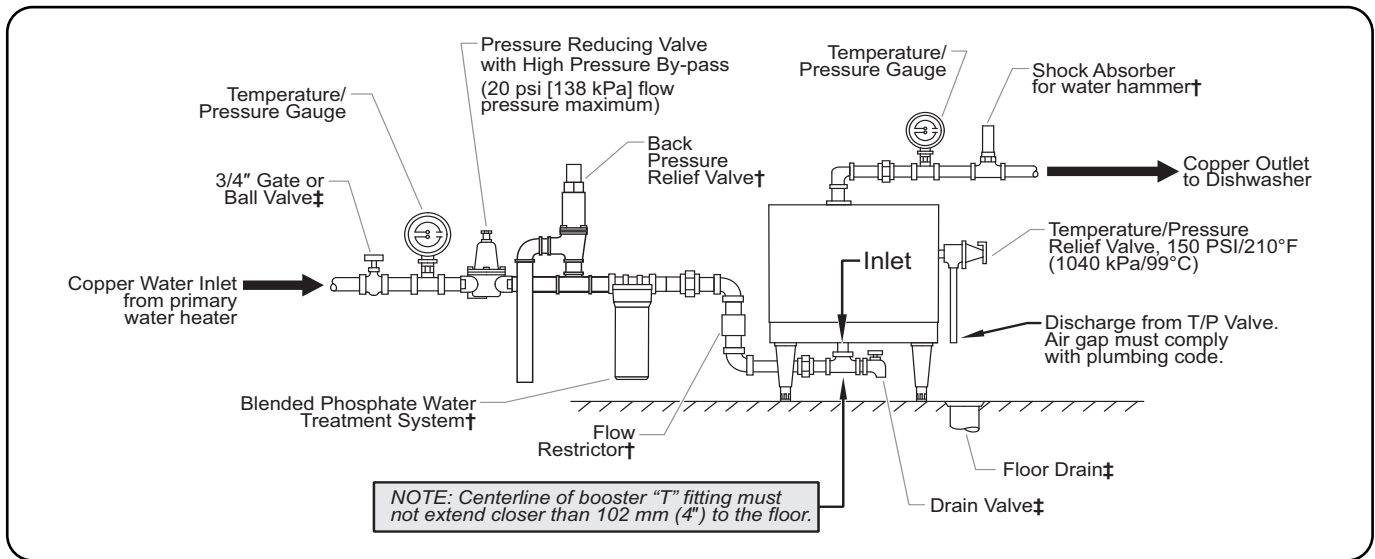
WARNING

Valves, gauges, and unions must be installed per diagram to ensure proper operation, servicing, and warranty coverage.

Plumbing Connections



Compact Series



Mini-Compact Models

† Not supplied, but is available as an option/accessory.

‡ Not supplied with booster heater.



Valves, gauges, and unions must be installed per diagram to ensure proper operation, servicing, and warranty coverage.

Outlet

1. Flush the water supply line to remove any pipe compound and foreign matter.
2. Connect the booster heater water outlet to the commercial dish machine sanitizing rinse pipe connection using a 3/4" union and copper piping.

NOTICE

DO NOT turn or adjust water outlet connection on Large Compact Series units (C-24 to C-57).

NOTE: Red mark on water outlet pipe for C-24 to C-57 series units must remain in the top most position.

NOTE: Be certain the connection is made to the final rinse and not to the wash tank.

3. Install a temperature/pressure gauge in the outlet line. The temperature sensing element must be in the water stream and the gauge must be mounted upright.

- Water temperature at the outlet should be 185°–190°F (85°–88°C).

NOTE: Some dish machines require two booster heaters to be plumbed in series (not parallel) to meet the demand. To ensure proper operation, a 30°F (17°C) temperature differential must be maintained between the inlet and outlet of each booster heater.

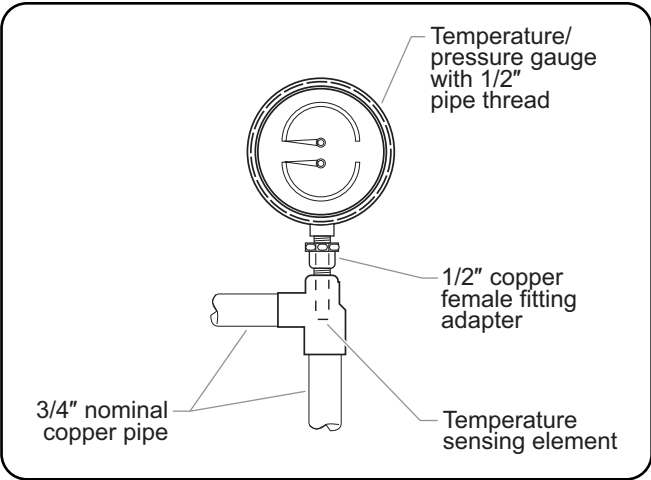
NOTE: Hatco recommends installing an optional shock absorber (P/N 03.04.057.00) in the outlet line as close as possible to the commercial dish machine solenoid rinse valve. The shock absorber softens the water hammer caused by automatic dish machine valves.

Plumbing Installation Inspection

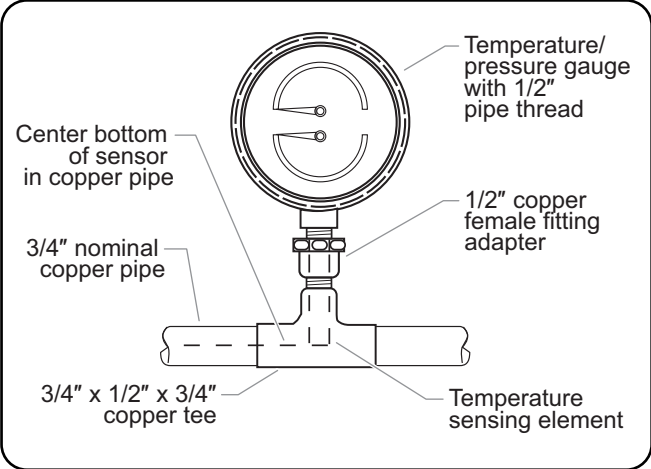
1. Close the drain valve and fill the booster heater with water.
2. Check all pipe connections for leaks.
3. Make sure the temperature/pressure relief valve discharge is not blocked.
4. Vent air from the tank before operating by opening the temperature/pressure relief valve.

CAUTION

DO NOT turn on power to the booster heater until tank has been filled with water and all air has been vented through the dish machine rinse nozzle. The heating elements will burn out in seconds if operated when they are not immersed in water.



Recommended Temperature/Pressure Gauge Installation



Alternate Temperature/Pressure Gauge Installation

WARNING

Hatco has always endorsed the use of safety equipment when using a booster water heater or storage-type water heater. Hatco booster heaters are shipped with a temperature/pressure relief valve at no extra charge. This valve must be installed into the marked opening provided in the tank. Valves supplied by Hatco are designed for high temperature commercial operation. Do not substitute Hatco supplied valves with valves designed for domestic operation.

It is essential to recognize that even though a water heater may be properly installed initially and approved, there always exists the possibility that unknowing individuals might alter or change the installation in a manner that would render it unsafe. Therefore, it is important that all safety programs provide some mechanism to assure that these installations are inspected periodically.

Electrical — All Sizes and Voltages

General

Hatco Electric Booster Water Heaters are available for operation on standard power systems. Check the specification label for the proper power supply.

All internal electrical connections have been made at the factory. See the "Circuit Breaker and Fused Disconnect Switch" chart in the SPECIFICATIONS section for supply wire size, fuse, breaker, and conduit recommendations. Consult local codes for verification and compliance.

⚠ WARNING

ELECTRIC SHOCK HAZARD:

- **Unit must be installed by qualified, trained installers. Installation must conform to all local electrical and plumbing codes. Installation by unqualified personnel will void the unit warranty and may lead to electric shock or burn, as well as damage to unit and/or its surroundings. Check with local plumbing and electrical inspectors for proper procedures and codes.**
- **Turn OFF power at fused disconnect switch/circuit breaker and allow unit to cool before performing any cleaning, adjustments, or maintenance.**
- **Consult a licensed electrical contractor for proper electrical installation conforming to local electrical codes and the National Electrical Code (N.E.C.).**

NOTICE

Units are voltage-specific. Refer to specification label for electrical requirements before beginning installation. Connecting unit to incorrect power supply will void product warranty and may damage unit.

Electrical Connections

1. Remove the front jacket cover screws, pull the cover forward and remove the cover.

NOTE: On Imperial models, there is a hinged access panel under the front jacket cover. Remove the bottom screw and lift the panel up to expose the fuse blocks.

- On Mini-Compact models, remove front cover screws. Ease cover forward and upward.
- On Compact models, the control box is under the front hinged jacket cover.

2. Locate the heater terminal or fuse block(s) inside the unit.

NOTE: See "Circuit Breaker and Fused Disconnect Switch" chart in the SPECIFICATIONS section for proper connections and wire size.

NOTE: Only 6, 7, and 9 kW models, in 208 or 240 volt, can be converted to single or three phase in the field. Refer to the wiring diagram for proper wiring connections at the terminal block.

3. Bring power leads from a properly sized disconnect switch or circuit breaker through the knockout provided on the unit. Connect leads to the terminal or fuse block(s). **USE COPPER WIRE ONLY. TIGHTEN CONNECTIONS PROPERLY TO A MINIMUM OF 40 INCH POUNDS.**

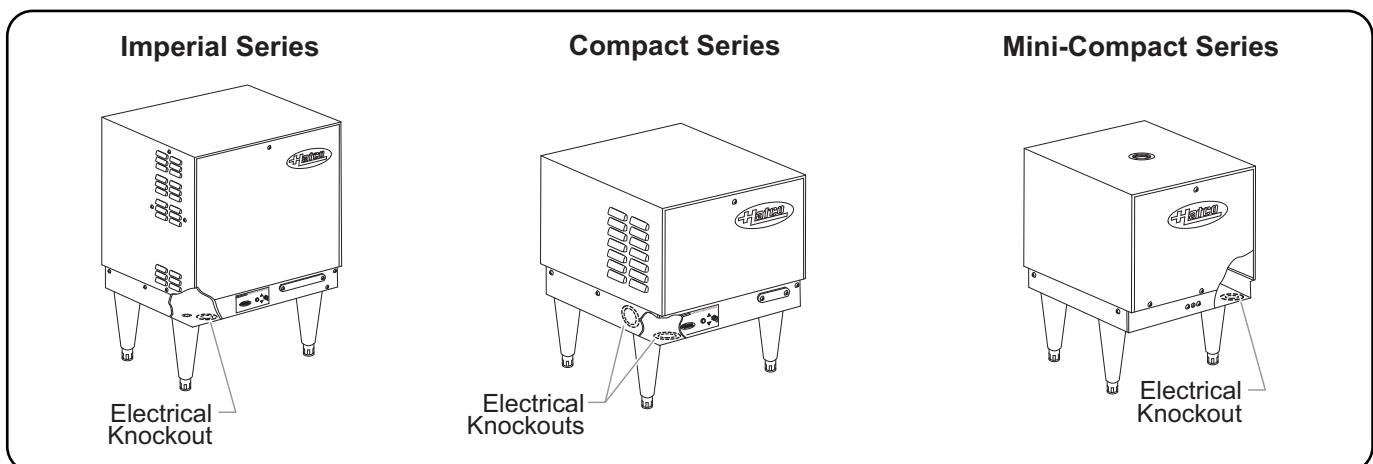
NOTE: Due to the rigors of transportation all connections should be checked for tightness before heater is put into operation.

4. Properly connect an equipment grounding connector to the grounding lug (located near the supply terminals).

⚠ CAUTION

DO NOT turn on power to the booster heater until tank has been filled with water and all air has been vented through the dish machine rinse nozzles. Heating elements will burn out in seconds if operated when not immersed in water.

5. Replace and secure cover(s).



Electrical Knockout Locations

OPERATION

English

General

Use the following procedures to operate Hatco Electric Booster Water Heaters.

CAUTION

BURN HAZARD: Water in unit is very hot. Wear protective gloves and proper attire when operating to avoid injury.

Startup

1. Close the drain valve.
2. Open the shutoff valve to the primary water supply line. The water temperature at inlet should be 115° to 145°F (46° to 63°C) and should not exceed 155°F (68°C).

NOTE: Minimum temperature differential between inlet and outlet should never be less than 30°F (17°C).

3. Vent all the air from the tank through the dish machine rinse nozzles and the temperature/pressure relief valve when the tank is filled with water.

CAUTION

DO NOT turn on power to the booster heater until tank has been filled with water and all air has been vented through the dish machine rinse nozzles. Heating elements will burn out in seconds if operated when not immersed in water.

4. Check all plumbing connections for leaks.
5. Check the temperature/pressure relief valve discharge opening to be sure it is not blocked and no scale or other foreign matter has reduced the size of the opening.
6. Turn on the booster water heater.
 - For Imperial and Compact models, move the Power ON/OFF (I/O) switch on the control panel to the ON (I) position.
 - For Mini-Compact models, turn on power at the fused disconnect switch/circuit breaker.

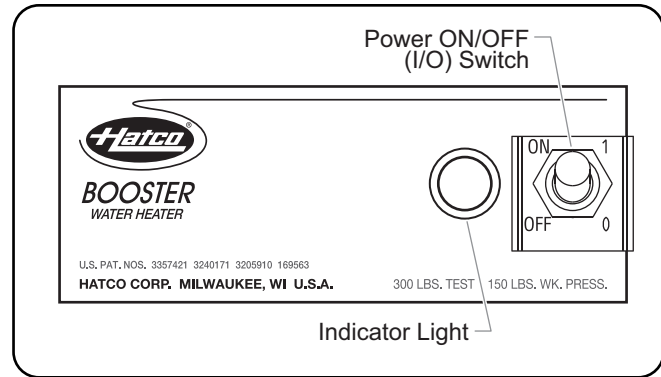
NOTE: Mini-Compact models can be configured with an optional Power ON/OFF (I/O) switch.

7. When the booster water heater has had sufficient heating time, operate the rinse cycle and check the water temperature and pressure readings on the gauges.
 - Water temperature at the booster outlet should be 185°–190°F (85°–88°C) and flow pressure should be 20 psi (138 kPa) maximum.

NOTE: Outlet water temperatures can be adjusted for Low-Temperature Dish Machine applications. See the MAINTENANCE section for thermostat adjustment procedure.

WARNING

Units are equipped with a high temperature limit safety switch that will shut off the power if the unit overheats. Contact an Authorized Hatco Service Agent if the high temperature limit safety switch cannot be reset or continues to trip.



Control Panel (Imperial and Compact models shown)

Shutdown

Under normal and regular operation, Hatco recommends that the unit be turned on at all times.

If the booster heater will not be used for an extended period of time or will be exposed to freezing conditions, it should be drained to prevent damage to the unit.

1. Move the Power ON/OFF (I/O) switch to the OFF (O) position, and turn off power at the fused disconnect switch/circuit breaker.
2. Close the shutoff valve to the primary water supply line.
3. Open the drain valve and drain the water from the booster heater tank.

NOTICE

Always drain booster heater with power to the unit off or element burnout could occur.

General

Electric Booster Water Heaters are designed for maximum durability and performance with minimum maintenance.



ELECTRIC SHOCK HAZARD:

- Turn OFF power at fused disconnect switch/circuit breaker and allow unit to cool before performing any cleaning, adjustments, or maintenance.
- This unit must be serviced by qualified personnel only. Service by unqualified personnel may lead to electric shock or burn.
- Use only Genuine Hatco Replacement Parts when service is required. Failure to use Genuine Hatco Replacement Parts will void all warranties and may subject operators of the equipment to hazardous electrical voltage, resulting in electrical shock or burn. Genuine Hatco Replacement Parts are specified to operate safely in the environments in which they are used. Some aftermarket or generic replacement parts do not have the characteristics that will allow them to operate safely in Hatco equipment.

This unit has no “user-serviceable” parts. If service is required on this unit, contact an Authorized Hatco Service Agent or contact the Hatco Service Department at 800-558-0607 or 414-671-6350.

Thermostat Adjustment

The thermostat is factory calibrated at 185°–190°F (85°–88°C). If adjustment or recalibration is required due to the rigors of transportation, use the following procedure.

NOTE: Low temperature dish machines require the thermostat(s) to be adjusted to 140°–150°F (60°–66°C).

1. Move the Power ON/OFF (I/O) switch to the OFF (O) position and unplug the unit from the power source.
2. Remove the access cover.
3. Adjust the temperature setpoint to the desired temperature.
 - To lower the temperature setpoint, turn the outer screw counterclockwise.
 - To raise the temperature setpoint, turn the outer screw clockwise.

NOTE: 1/6 turn of the outer screw equals 12°F (6.7°C).

NOTE: If recalibration is necessary, with the outer screw at high stop, turn the inner screw clockwise to raise the set point.

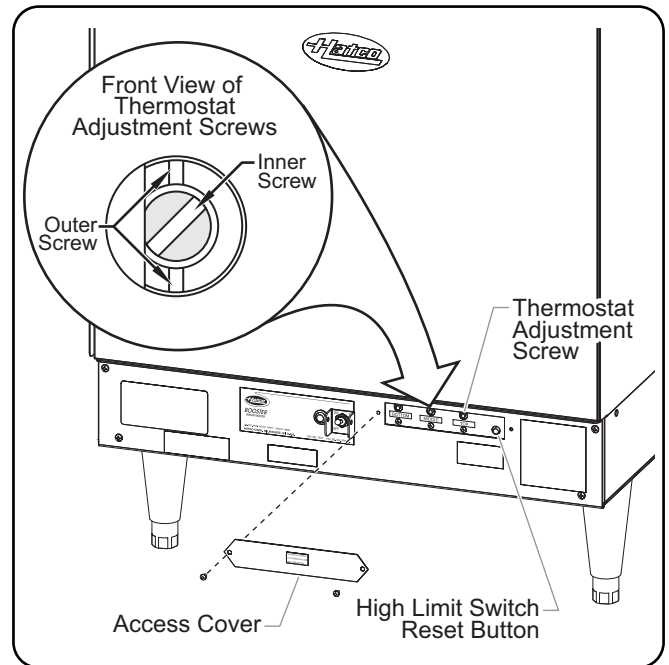
NOTE: 1/6 turn of the inner screw equals 8°F (4.4°C).

High Temperature Limit Safety Switch

All Hatco Electric Booster Water Heaters are equipped with a manually reset high temperature limit safety switch. If the temperature of the water in the heater exceeds 210°F (99°C) the safety switch will shut off the power. The switch must be manually reset.

If the high temperature limit safety switch needs to be reset use the following procedure:

1. Move the Power ON/OFF (I/O) switch to the OFF (O) position and unplug the unit from the power source.
2. Remove the access cover.
3. Push the red reset button.
4. If tripping repeats, call an Authorized Service Agent. Do NOT attempt to adjust the High Temperature Limit Safety Switch.



Thermostat Adjustment and High Temperature Limit Safety Switch
(Imperial “S” Model Shown)

Stainless Steel Adjustable Legs

Stainless steel adjustable legs (P/N 05.30.070.00) are available as accessories for all models.

Use the following procedure to install legs:

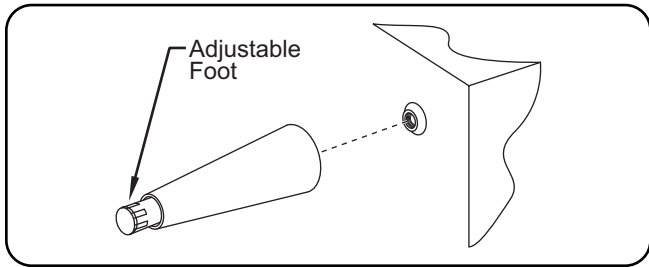
1. Carefully place unit on its side.

NOTICE

Do not lay unit on the side with the control panel. Damage to the unit could occur.

2. Thread the adjustable legs into the existing leg holes on the bottom of the unit.
3. After all legs are secure, return the unit to the upright position.

NOTE: If unit is not level, use an adjustable wrench to adjust the foot of each leg until unit is level. Each leg is adjustable from 6" (152 mm) to 7" (178 mm).



Stainless Steel Adjustable Legs

Floor Mounting Legs

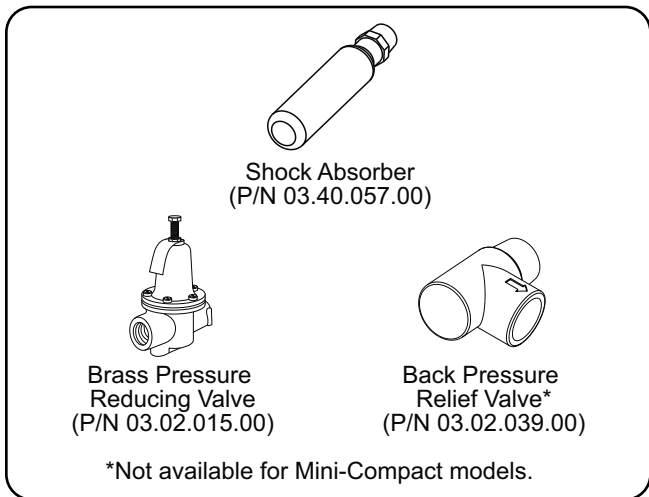
Stainless steel adjustable legs with deck mounting flanges secure the booster heater to the floor are available options for Compact and Imperial models only.

Mounting Slide Brackets

A set of optional mounting slide brackets is available for Compact models only. (P/N R04.20.030.00)

Plumbing Accessories

A shock absorber, a brass pressure reducing valve, and a back pressure relief valve are available as accessories.



Plumbing Accessories

Blended Phosphate Water Treatment System

The optional Blended Phosphate Water Treatment System (P/N 03.05.061.00) dispenses a small amount of polyphosphate into the water. The polyphosphate prevents the buildup of mineral molecules.

The optional blended phosphate water treatment system is installed with unions on the incoming 3/4" water supply line after the pressure reducing valve and before the booster heater.

Replacing a Phosphate Cartridge (P/N 03.05.061A.00)

Cartridges supplied have a usage rating of 100,000 gallons (378,541 liters) of water. To ensure proper operation, the cartridges must be replaced when the compound is near the bottom of the cartridge.

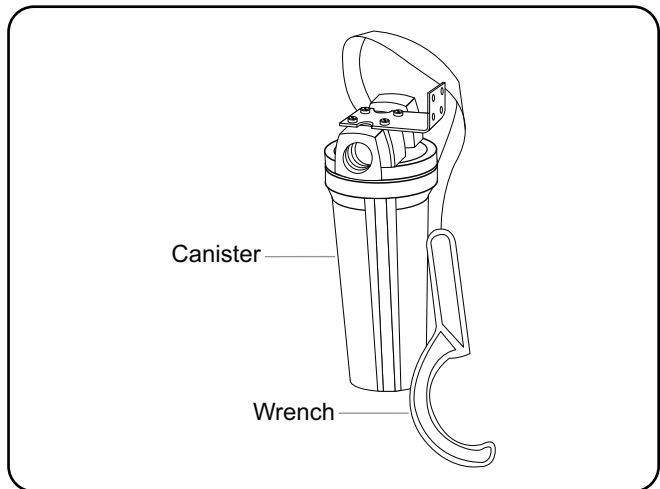
Use the following procedure for replacement:

1. Move the ON/OFF (I/O) switch to the OFF (O) position.
2. Shut off water supply and open the drain valve to remove water in piping.
3. Loosen the canister using the attached wrench.
4. Remove canister and discard depleted cartridge.
5. Using a clean damp cloth, wipe the interior of the canister clean.

NOTE: Make sure the O-ring seal is placed properly in the canister.

6. Reverse the above procedure to reinstall.

NOTE: Product failure caused by liming or sediment buildup is not covered under warranty.



Blended Phosphate Water Treatment System

Stainless Body and Base

An optional stainless body and base is available for all models.

Security Package

A security package is a factory-installed option for Compact and Imperial models only. A security package contains Torx® screws and a control cover.

IMPORTANT! Read Before Using the Troubleshooting Guide

Many times when a booster heater does not appear to be functioning properly, the fault is not with the booster heater itself but with factors outside the heater.



ELECTRIC SHOCK HAZARD:

- Turn OFF power at fused disconnect switch/circuit breaker and allow unit to cool before performing any cleaning, adjustments, or maintenance.
- This unit must be serviced by qualified personnel only. Service by unqualified personnel may lead to electric shock or burn.

Before proceeding with the “Troubleshooting Guide” to diagnose an issue, check ALL of the following outside factors.

Water Temperature

- Check the temperature of the water feeding into the booster tank. It must be 115° to 145°F (46° to 63°C), depending on the heating capability of the unit. The inlet water supply must be of sufficient quantity to hold its temperature throughout the dishwashing operation.
- If the wash tank of the dish machine is filled through the booster heater, this will use up all of the 180°F (82°C) water in storage. Sufficient time must be allowed to reheat the water in storage before starting the dish machine.
- Primary water heater temperature should not exceed 155°F (68°C).



This unit must be serviced by qualified personnel only. Service by unqualified personnel may lead to electric shock or burn.

Water Pressure

- Water pressure at the inlet to the booster heater must be adequate for proper operation of the rinse cycle of the dish machine, not to exceed 20 psi (138 kPa). Check with dish machine manufacture for specific details.
- If incoming water exceeds 20 psi (138 kPa), a pressure reducing valve must be installed.

Electrical Connections

- Booster heater voltage must be correct for voltage available. Check the specification label on the booster heater for full information.
- The breakers or fuses MUST be properly sized.

Plumbing Connections

- The temperature/pressure relief valve must be properly installed and be supplied by Hatco.
- A check valve should not be installed ahead of the booster.

NOTE: If a check valve is installed and cannot be removed, install a back pressure relief valve (P/N 03.02.039.00) set at 125 psi (862 kPa) on the incoming line between the pressure reducing valve and the inlet to the booster heater. Discharge must be to open site drain.

If the unit does not function properly after performing these checks, continue to the “Troubleshooting Guide” in this section.



ELECTRIC SHOCK HAZARD: Turn OFF power at fused disconnect switch/circuit breaker and allow unit to cool before performing any cleaning, adjustments, or maintenance.

Symptom	Probable Cause	Corrective Action
Water reaches 180°F (82°C) but does not last through the entire dish machine operation.	Low incoming water temperature.	Incoming water temperature must be adequate for booster size. Increase incoming water temperature.
	Incoming water temperature drops.	Primary water supply is not adequate to provide correct temperature in sufficient quantities. Increase supply of primary hot water.
	Flow pressure is too high.	Higher pressure uses an excessive quantity of hot water. Adjust flow pressure to 20 psi (138 kPa).
	Booster heater may be undersized.	Booster heater must be properly sized for incoming water temperature and rinse requirements of the dish machine.
	Incorrect voltage.	Check voltage on heater serial plate and make sure supplied voltage matches. A 240V booster heater operating on 208V reduces wattage to 76% efficiency.



WARNING

This unit must be serviced by qualified personnel only. Service by unqualified personnel may lead to electric shock or burn.



WARNING

ELECTRIC SHOCK HAZARD: Turn OFF power at fused disconnect switch/circuit breaker and allow unit to cool before performing any cleaning, adjustments, or maintenance.

Symptom	Probable Cause	Corrective Action
The booster heater does not heat at all or only delivers water at 120°- 150°F (49°-66°C).	Unit may have been energized without water (dry fired) causing the element(s) to burn out quickly.	Replace the element(s).
	Fuses may be blown or circuit breaker tripped.	Check for proper fuse sizing. Replace fuses. Check/reset circuit breaker.
	Over-current fuses may be blown.	Check for shorted elements, bad fuse block or short in wiring.
	Temperature setting out of calibration or inoperable.	Temperature setting should be maximum of 190°F (88°C).
	Contactors do not pull in.	Test for voltage at coils. If coils are open or shorted, replace contactors.
	High limit switch may be tripped or defective.	Reset switch, refer to "High Temperature Limit Safety Switch" in the MAINTENANCE section. If switch continues to trip or cannot be reset contact an Authorized Service Agent.
	Transformer not working properly.	Check secondary voltage, it should be the same as the control circuit voltage. If not, replace the transformer.
	Low water cutoff inoperable, contacts do not close.	Remove probe wire and touch it to the tank. If contacts close, probe is fouled and must be cleaned or replaced. Relay on circuit board maybe defective. Jumper terminals 6 and 7. If unit energizes, circuit board is defective and should be replaced.
Water at dish machine is not at the proper temperature.	Gauge(s) not working properly.	Check temperature of water with a thermometer to be certain gauges are working correctly. If not, replace gauge(s).
	Thermostat set too low.	Adjust or recalibrate, refer to "Thermostat Adjustment" in the MAINTENANCE section. If thermostat will not recalibrate properly, replace it.
	Booster heater has more than five (5) linear feet (1524 mm) of water pipe to the dish machine, causing the water to cool off inside the pipe.	If located farther than five (5) linear feet (1524 mm), pipes should be wrapped in insulation, and/or a recirculating system installed.

Symptom	Probable Cause	Corrective Action
Relief valve dribbles.	No pressure reducing valve installed or incorrect valve installed causing pressure build-up inside booster tank.	A pressure reducing valve with high pressure bypass must be installed in the incoming water line to allow water to expand back into the feed line.
	Bypass in pressure reducing valve may be blocked.	Clean bypass or replace with new valve with built in bypass.
	Check valve or anti-siphon valve installed in the feed line.	Remove check valve or anti-siphon valve to allow for water expansion or install a back pressure relief valve (P/N 03.02.039.00) on the incoming water line.
Relief valve opens.	Unit is overheating.	Thermostat may be set too high or is sticking. Recalibrate or replace the thermostat.
	Contactors may be sticking in closed position not allowing unit to cycle off.	Replace contactor(s).
High temperature limit safety switch trips.	Temperature limit safety switch is defective.	If booster heater is not overheating, replace High Limit Safety Switch.
	Thermostat set too high.	Adjust or recalibrate, refer to "Thermostat Adjustment" in the MAINTENANCE section.
	Incoming water temperature too high causing nuisance tripping of high temperature limit switch.	Incoming water temperature should not be higher than 160°F (71°C).
Chattering contactor or low water cutoff circuit board	Loose connections or wire connection has insulation under crimp.	Tighten all connections and check crimps
	Low voltage.	Check control circuit voltage or secondary voltage with transformer.
	Probe may be fouled.	Bypass probe by removing wire from low water cutoff probe and grounding to tank. Clean or replace probe if chattering stops.
	Contactors may be bad.	Test contactor coils and replace if needed.
Heating element(s) burn out.	Tank inadvertently drained leaving element(s) in a dry condition.	Replace element(s), and make sure tank is full of water at all times. Check low water cut-off system for proper operation.
	Lime buildup in tank causing element(s) to split and burn out.	Replace element(s), and clean or delime tanks periodically. A water softener or blended phosphate treatment system may be required.

Troubleshooting Questions?

If you continue to have problems resolving an issue, please contact the nearest Authorized Hatco Service Agency or Hatco for assistance. To locate the nearest Service Agency, log onto the Hatco website at www.hatcocorp.com and click on *Find Service Agent*, or contact the **Hatco Parts and Service Team** at:

Telephone: 800-558-0607 or 414-671-6350

e-mail: partsandservice@hatcocorp.com

1. PRODUCT WARRANTY

Hatco warrants the products that it manufactures (the "Products") to be free from defects in materials and workmanship, under normal use and service, for a period of one (1) year from the date of purchase when installed and maintained in accordance with Hatco's written instructions or 18 months from the date of shipment from Hatco. Buyer must establish the Product's purchase date by registering the Product with Hatco or by other means satisfactory to Hatco in its sole discretion.

Hatco warrants the following Product components to be free from defects in materials and workmanship from the date of purchase (subject to the foregoing conditions) for the period(s) of time and on the conditions listed below:

a) One (1) Year Parts and Labor PLUS One (1) Additional Year Parts-Only Warranty:

- Conveyor Toaster Elements (metal sheathed)
- Drawer Warmer Elements (metal sheathed)
- Drawer Warmer Drawer Rollers and Slides
- Strip Heater Elements (metal sheathed)
- Display Warmer Elements (metal sheathed air heating)
- Holding Cabinet Elements (metal sheathed air heating)
- Heated Well Elements — HW and HWB Series (metal sheathed)

b) One (1) Year Parts and Labor PLUS Four (4) Years Parts-Only Warranty:

- 3CS and FR Tanks

c) One (1) Year Parts and Labor PLUS Nine (9) Years Parts-Only Warranty on:

- Electric Booster Heater Tanks
- Gas Booster Heater Tanks

d) Ninety (90) Day Parts-Only Warranty:

- Replacement Parts

THE FOREGOING WARRANTIES ARE EXCLUSIVE AND IN LIEU OF ANY OTHER WARRANTY, EXPRESSED OR IMPLIED, INCLUDING BUT NOT LIMITED TO ANY IMPLIED WARRANTY OF MERCHANTABILITY OR FITNESS FOR A PARTICULAR PURPOSE OR PATENT OR OTHER INTELLECTUAL PROPERTY RIGHT INFRINGEMENT. Without limiting the generality of the foregoing, SUCH WARRANTIES DO NOT COVER: Coated incandescent light bulbs, fluorescent lights, heat lamp bulbs, coated halogen light bulbs, halogen heat lamp bulbs, xenon light bulbs, LED light tubes, glass components, and fuses; Product failure in booster tank, fin tube heat exchanger, or other water heating equipment caused by liming, sediment buildup, chemical attack, or freezing; or Product misuse, tampering or misapplication, improper installation, or application of improper voltage.

2. LIMITATION OF REMEDIES AND DAMAGES

Hatco's liability and Buyer's exclusive remedy hereunder will be limited solely, at Hatco's option, to repair or replacement using new or refurbished parts or Product by Hatco or a Hatco-authorized service agency (other than where Buyer is located outside of the United States, Canada, United Kingdom, or Australia, in which case Hatco's liability and Buyer's exclusive remedy hereunder will be limited solely to replacement of part under warranty) with respect to any claim made within the applicable warranty period referred to above. Hatco reserves the right to accept or reject any such claim in whole or in part. In the context of this Limited Warranty, "refurbished" means a part or Product that has been returned to its original specifications by Hatco or a Hatco-authorized service agency. Hatco will not accept the return of any Product without prior written approval from Hatco, and all such approved returns shall be made at Buyer's sole expense. HATCO WILL NOT BE LIABLE, UNDER ANY CIRCUMSTANCES, FOR CONSEQUENTIAL OR INCIDENTAL DAMAGES, INCLUDING BUT NOT LIMITED TO LABOR COSTS OR LOST PROFITS RESULTING FROM THE USE OF OR INABILITY TO USE THE PRODUCTS OR FROM THE PRODUCTS BEING INCORPORATED IN OR BECOMING A COMPONENT OF ANY OTHER PRODUCT OR GOODS.

Informations Importantes pour le Propriétaire	31	Installation	46
Introduction	31	Généralités.....	46
Consignes de Sécurité Importantes	32	Installation de la plomberie.....	47
Description du Modèle	34	Électrique - Toutes tailles et tensions	52
Tous les modèles	34	Mode d'emploi.....	53
Série « S » modèles Imperial	34	Généralités.....	53
Série « C » modèles Compact.....	34	Maintenance.....	54
Série « MC » modèles Mini-Compact.....	34	Généralités.....	54
Caractéristiques Techniques	35	Réglage du thermostat	54
Tailles des disjoncteurs et sectionneurs porte-fusibles	35	Interrupteur de fin de course haute température de sécurité	54
Tableau de correspondance des lave-vaisselles basse température.....	38	Options et Accessoires.....	55
Tableau de correspondance des réchauffeurs	39	Guide de Dépannage	56
Tableaux des capacités	42	Garantie Limitée.....	59
Dimensions	44	Autorisés Distributeurs de Pièces	Couverture Arrière

INFORMATIONS IMPORTANTES POUR LE PROPRIÉTAIRE

Noter le numéro de modèle, le numéro de série, le voltage et la date d'achat de votre appareil ci-dessous (étiquette des caractéristiques techniques située sur l'appareil). Veuillez avoir cette information à portée de la main si vous appelez Hatco pour assistance.

Modèle No. _____

Numéro de série _____

Voltage _____

Date d'achat _____

Enregistrez votre appareil!

Remplissez la garantie en ligne pour éviter les retards pour faire jouer la garantie. Accédez au site Web Hatco www.hatcocorp.com, sélectionnez le menu déroulant Parts & Service, puis cliquez sur Warranty Registration.

Horaires

ouvrables: 7h00 à 17h00

Heure du Centre des États-Unis (CST)

(Horaires d'été : juin à septembre—

7h00 à 17h00 CST du lundi au jeudi

7h00 à 16h00 CST le vendredi)

Téléphone : 800-558-0607; 414-671-6350

Courriel : partsandservice@hatcocorp.com



Service d'assistance et de pièces de rechange disponible 7j/7, 24h/24 aux États-Unis et au Canada en composant le 800-558-0607.

Des renseignements supplémentaires sont disponibles sur notre site Web à www.hatcocorp.com.

INTRODUCTION

Les réchauffeurs d'eau électriques de Hatco sont conçus pour être utilisés avec des lave-vaisselles de professionnels pour augmenter la température de l'eau chaude généralement disponible, principalement de 46°–66°C (115°–150°F) à 82°C (180°F). L'eau à 82°C (180°F) peut servir d'eau de rinçage désinfectante dans les lave-vaisselles pour professionnels conformément à la norme n° 5 de NSF ainsi qu'aux réglementations relatives à la santé et à la plomberie.

Tous les réchauffeurs de Hatco sont prêts à être raccordés aux systèmes d'électricité et de plomberie. Ils comportent un ou plusieurs thermostats à immersion réglable avec compensation de la température ambiante ainsi qu'un interrupteur de fin de course haute température. La zone de service est facilement accessible depuis l'avant de l'appareil.

Les réchauffeurs d'eau électriques de Hatco sont le fruit de recherches approfondies et d'essais sur le terrain. Les matériaux utilisés ont été sélectionnés pour une durabilité maximale, un aspect esthétique et une performance optimale. Chaque appareil est soigneusement inspecté et testé avant expédition.

Ce manuel fournit les consignes d'installation, de sécurité et d'utilisation des réchauffeurs d'eau électriques de Hatco. Il est recommandé de lire toutes les instructions d'installation, de sécurité et de fonctionnement contenues dans ce manuel avant d'installer et d'utiliser le appareil.

Les consignes de sécurité qui apparaissent dans ce manuel sont identifiées par les mots indicateurs suivants :

AVERTISSEMENT

AVERTISSEMENT indique une situation dangereuse qui, si elle n'est pas évitée, peut provoquer la mort ou des blessures graves.

ATTENTION

ATTENTION indique une situation dangereuse qui, si elle n'est pas évitée, peut provoquer des blessures légères ou moyennes.

AVIS

AVIS est utilisé pour des questions sans rapport avec des blessures corporelles.



Lisez l'information de sécurité importante suivante avant d'utiliser cet équipement pour éviter des dommages ou la mort sérieux et pour éviter d'endommager l'équipement ou la propriété.

⚠ AVERTISSEMENT

DANGER DE DÉCHARGE ÉLECTRIQUE :

- L'appareil doit être installé par des installateurs professionnels qualifiés. L'installation doit être conforme à toutes les normes électriques et de plomberie locales. Une installation par un personnel non qualifié aura pour conséquence une annulation de la garantie de l'appareil et peut entraîner une décharge électrique ou une brûlure, ainsi que des dommages pour l'appareil et/ou ses alentours. Vérifiez les procédures et les normes à suivre auprès de vos inspecteurs locaux en plomberie et en électricité.
- **COUPEZ** l'alimentation au niveau du sectionneur porte-fusibles/disjoncteur et laissez l'appareil refroidir avant d'entreprendre toute opération de nettoyage, de réglage ou de maintenance.
- Consultez un électricien agréé pour l'accomplissement d'une installation électrique appropriée conformément aux réglementations nationales (National Electrical Code) et locales relatives à l'électricité.
- L'appareil n'est pas à l'épreuve des intempéries. Placer l'appareil à l'intérieur à une température ambiante de 21°C (70°F) minimum.
- Ne placez pas des panneaux de rechange sur ou par-dessus le réchauffeur. Cela pourrait entraîner une hausse de la température et une accumulation d'humidité qui provoqueraient une défaillance prématurée et une décharge électrique.
- La réparation de cet appareil doit être confiée exclusivement à du personnel qualifié. Les réparations par des personnes non qualifiées peuvent provoquer des décharges électriques et des brûlures.
- Pour les réparations, utiliser exclusivement des pièces de rechange Hatco d'origine. Utilisez des pièces détachées Hatco authentiques sous peine d'annuler toutes les garanties et d'exposer l'utilisateur à des tensions électriques dangereuses pouvant entraîner une électrocution ou des brûlures. Les pièces de rechange Hatco d'origine sont conçues pour fonctionner sans danger dans les environnements dans lesquels elles sont utilisées. Certaines pièces de rechange génériques ou de second marché ne présentent pas les caractéristiques leur permettant de fonctionner sans danger dans le matériel Hatco.

Les valves fournies par Hatco sont conçues pour un fonctionnement professionnel à haute température. Ne remplacez pas les valves de Hatco par des valves prévues pour des chauffe-eau domestiques.

L'équipement de protection contre la température/pression ne doit pas être inférieur à une soupape de sécurité thermique et de surpression certifiée par un laboratoire d'essais nationalement reconnu qui effectue une inspection périodique de la production de cet équipement et remplit les exigences de la norme ANSI Z21.22-1979 concernant les soupapes de décharge et les dispositifs d'arrêt automatique pour les systèmes d'alimentation en eau chaude. La soupape de sécurité thermique/surpression doit être accompagnée d'une pression définie minimale qui ne doit pas dépasser la pression d'épreuve hydrostatique inscrite dans les caractéristiques techniques du réchauffeur.

⚠ AVERTISSEMENT

RISQUE D'EXPLOSION: Ne conservez pas ou n'utilisez pas d'essence ou d'autres vapeurs ou liquides inflammables à proximité de ce réchauffeur ou de tout autre appareil.

Pour l'installation des soupapes de sécurité thermique/surpression conformément à la norme nationale américaine z21.22-1979. Des soupapes de sécurité thermique et de surpression accompagnées de thermostats d'extension doivent être installées de sorte que le capteur de température soit immergé dans l'eau au niveau des 152 mm (6") du haut du réservoir. Ils doivent être directement placés dans une ouverture du réservoir. Les soupapes de sécurité thermique et de surpression qui ne possèdent pas d'éléments d'extension doivent être montées directement dans une ouverture du réservoir située dans les 152 mm (6") du haut du réservoir. Elles doivent être correctement isolées et placées afin d'assurer une isolation par rapport aux conditions ambiantes qui ne correspondent pas à la température de l'eau stockée. **POUR ÉVITER TOUT DOMMAGE LIÉ À L'EAU OU BRÛLURE DÛ AU FONCTIONNEMENT D'UNE SOUPE, UN TUYAU D'ÉVACUATION DOIT ÊTRE RACCORDÉ À LA SORTIE DE LA SOUPE ET TRANSPORTER L'EAU JUSQU'À UN LIEU D'ÉLIMINATION SÛR.** Le tuyau d'évacuation doit être aussi court que possible et de la même taille que le raccordement de la soupape de décharge sur toute sa longueur. Le tuyau d'évacuation doit être orienté vers le bas à partir de la soupape et doit finir entre 38 mm et 152 mm (1-1/2" et 6") au-dessus du siphon de sol où toute décharge sera clairement visible. Le tuyau d'évacuation doit présenter un bout simple, non fileté, avec un matériau qui supporte les températures de 121°C (250°F) ou plus. Une longueur excessive, plus de 9,1 m (30'), ou l'utilisation de plus de quatre coudes peut provoquer une restriction et réduire la capacité de décharge de la soupape. Aucune vanne d'arrêt ne doit être montée entre la soupape de décharge et le réservoir, ou dans le tuyau d'évacuation. Le levier de la soupape doit être actionné régulièrement pour s'assurer que le passage de l'eau est dégagé. Ce dispositif est conçu pour une décharge de sécurité et d'urgence, il ne doit pas être utilisé comme une commande de fonctionnement. Les soupapes sont réglées pour une décharge à 1034 kPa (150 psi) ou lorsque la température de l'eau atteint les 99°C (210°F). Lisez l'étiquette sur la soupape pour plus d'informations.

Utilisez des matériaux de plomberie en cuivre uniquement. Matériel de plomberie non-cuivre peut créer une situation dangereuse.

Les appareils sont équipés d'un interrupteur de fin de course haute température de sécurité qui coupe le courant lorsque l'appareil est en surchauffe. Contactez un agent de maintenance agréé par Hatco si l'interrupteur de fin de course haute température de sécurité ne peut être réinitialisé ou s'il se déclenche continuellement.

Montez le réchauffeur d'eau en position horizontale avec la base parallèle au sol et le raccordement d'entrée au point le plus bas. Une installation inappropriée peut poser des risques.

Ne raccordez pas les réchauffeurs d'eau à des lave-vaisselles domestiques (de particuliers) ou à d'autres équipements à usage domestique. Ce réchauffeur peut endommager les équipements domestiques.



Lisez l'information de sécurité importante suivante avant d'utiliser cet équipement pour éviter des dommages ou la mort sérieux et pour éviter d'endommager l'équipement ou la propriété.

AVERTISSEMENT

Ce produit contient de la fibre de verre, un produit connu dans l'état de Californie pour provoquer des cancers, des anomalies congénitales ainsi que d'autres troubles de la reproduction.

Montez le réchauffeur d'eau aussi près que possible d'un lave-vaisselle professionnel. Effectuez une recirculation si la distance entre le réchauffeur d'eau et le lave-vaisselle dépasse les spécifications de 1524 mm (5') linéaires de la National Sanitation Foundation (NSF).

Respectez les procédures d'application et de sécurité standard relatives à la soudure lorsque vous fixez des glissières sur la partie inférieure d'une table pour lave-vaisselle.

Assurez-vous que la table pour lave-vaisselle est suffisamment résistante pour supporter le poids du réchauffeur ET de l'eau lorsque vous le montez avec des supports de montage sur glissière.

Veillez consulter LE TABLEAU DE CORRESPONDANCE DES RÉCHAUFFEURS de ce manuel pour vous assurer que la taille est appropriée et ainsi éviter des blessures et/ou dommages au réchauffeur.

Il est essentiel de prendre en compte que même si un réchauffeur d'eau peut être correctement installé au début et approuvé, il y a toujours la possibilité que des individus altèrent ou modifient l'installation sans le savoir de telle façon que cela occasionnerait des risques. Il est donc important que tous les programmes de sécurité comprennent des mécanismes qui garantissent que ces installations sont inspectées régulièrement.

Cet appareil ne contient aucune pièce réparable par l'utilisateur. Si cet appareil doit être réparé, contacter un réparateur Hatco agréé ou le Service après-vente Hatco au +1 800-558-0607 ou +1 414-671-6350 ; télécopieur +1 800-690-2966.

ATTENTION

DANGER DE BRÛLURE:

- L'eau dans l'appareil est très chaude. Portez des gants de protection et des vêtements appropriés lorsque vous l'utilisez pour éviter tout risque de blessure.
- Les valves fournies par Hatco sont conçues pour un fonctionnement professionnel à haute température. Ne remplacez pas les valves de Hatco par des valves prévues pour des chauffe-eau domestiques.

N'utilisez pas de valves anti-siphon sur la conduite d'eau entrante.

Il n'est pas recommandé d'avoir un clapet anti-retour sur la conduite d'eau entrante. Les dommages de l'appareil provoqués par l'utilisation de clapets anti-retour ne sont pas couverts par la garantie.

Ne raccordez pas directement le réchauffeur d'eau à une chaudière, à une bobine d'un système de chauffage ou à toute autre source de température non contrôlée. Le thermostat du réchauffeur pourrait être endommagé, ce qui provoquerait un surchauffe de l'appareil.

Ne raccordez un vase d'expansion d'aucune sorte aux conduites d'eau du réchauffeur.

ATTENTION

Hatco demande l'installation de deux jauges de température/pression (n° de réf. 03.01.003.00 de Hatco) pour garantir un fonctionnement correct. Montez-en une dans la conduite d'alimentation avant le réducteur de pression et l'autre dans la conduite de sortie, aussi près que possible du réchauffeur. Elles permettront de vérifier visuellement la pression et la température de l'eau avant et après son passage dans le réchauffeur d'eau.

Si la pression de l'alimentation en eau à l'entrée du réchauffeur dépasse les 138 kPa (20 psi) lors de l'écoulement, montez un réducteur de pression avec dérivation intégrée (n° de réf. 03.02.004.00 de Hatco) pour un fonctionnement approprié des buses de rinçage du lave-vaisselle.

NOTA: Le réducteur de pression doit être équipé d'une dérivation haute pression, comme celui qui est fourni par Hatco.

Ne mettez pas le réchauffeur sous tension tant que le réservoir n'a pas été rempli d'eau et que tout l'air n'a pas été évacué par le biais des buses de rinçage du lave-vaisselle. Les éléments de chauffage grillent en quelques secondes s'ils ne fonctionnent pas en immersion dans de l'eau.

AVIS

Ne videz le réchauffeur d'eau que lorsqu'il est hors tension, ou ces éléments risquent de griller.

Utilisez des couplages diélectriques lorsque vous raccordez des métaux différents, comme du métal galvanisé à du cuivre. Cela empêchera la survenue d'une électrolyse ou d'un dommage prématuré à la plomberie.

Ne tournez et n'ajustez pas le raccordement de sortie de l'eau sur tous les appareils de la série Large Compact (C-24 à C-57).

Ne tournez et n'ajustez pas le raccordement d'entrée de l'eau sur les réchauffeurs de la série Compact, ou l'écoulement interne de l'eau sera modifié.

Ne sortez et ne desserrez pas les raccords de tuyau, cela pourrait provoquer des fuites.

Ne pas poser l'appareil sur le côté du panneau de commande sous peine de l'endommager.

L'eau entrante qui dépasse 0,75 grain de dureté par litre (GPL) (3 grains de dureté par gallon [GPG]) doit être traitée et adoucie avant d'être introduite dans le(s) réchauffeur(s). L'eau contenant plus de 0,75 GPL (3 GPG) diminue l'efficacité, augmente la consommation d'énergie et réduit la durée de vie utile de l'appareil par le biais d'une augmentation de l'accumulation de calcaire. Les dommages du produit causés par une accumulation de calcaire ou de sédiments ne sont pas couverts par la garantie.

N'utilisez pas de l'eau désionisée. De l'eau désionisée raccourcit la durée de vie du réservoir d'eau et des éléments chauffants.

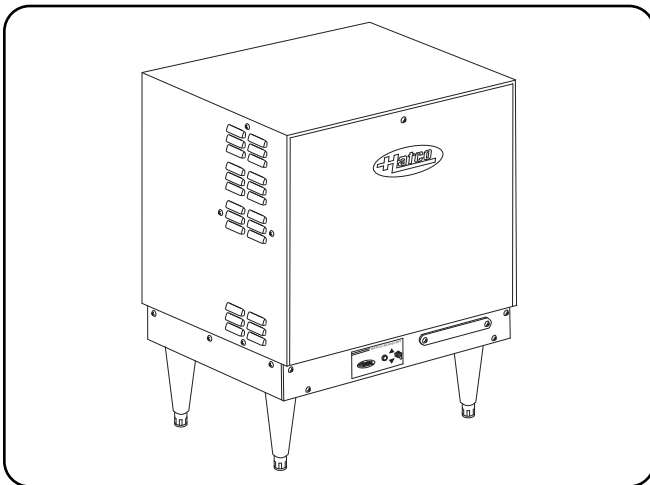
Les appareils ne fonctionnent qu'à la tension spécifiée. Reportez-vous à l'étiquette des caractéristiques des exigences électriques avant de commencer l'installation. Le raccordement de l'appareil à une alimentation électrique inappropriée annulera la garantie du produit et risque d'endommager l'appareil.

Tous les modèles

Les réchauffeurs d'eau électriques de Hatco sont disponibles en trois modèles : Imperial, Compact et Mini-Compact. Tous les modèles standard comprennent un réchauffeur d'eau avec un système de coupure en cas de faible niveau d'eau, une soupape de sécurité thermique/surpression, un réducteur de pression doté d'une déviation haute pression intégrée, deux jauges de pression/température et un interrupteur de fin de course haute température de sécurité.

Série « S » modèles Imperial

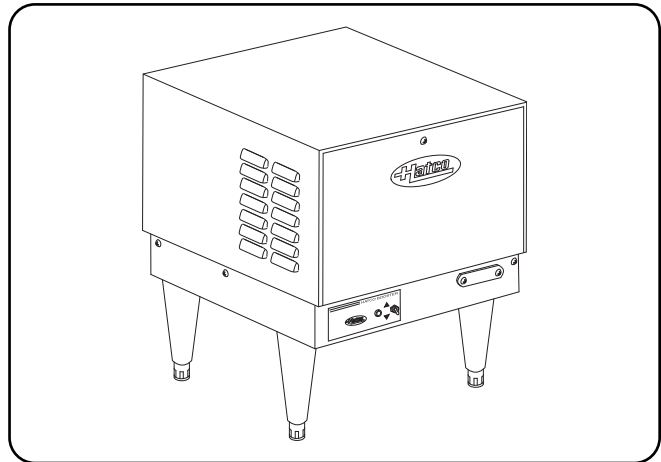
Les modèles Imperial de Hatco contiennent un réservoir Castone® avec une garantie limitée de 10 ans pour le réservoir, un interrupteur d'alimentation MARCHE/ARRÊT (I/O), un témoin lumineux et des pieds de 152 mm (6"). Les appareils Imperial ont une capacité de 61 litres (16 gallons) et fournissent jusqu'à 2169 litres par heure (lph) (573 gallons par heure [gph]) d'eau de rinçage désinfectante avec une augmentation de 22°C (40°F) de la température.



Modèle Imperial

Série « C » modèles Compact

Les modèles Compact de Hatco contiennent un réservoir Castone® avec une garantie limitée de 10 ans pour le réservoir, un interrupteur d'alimentation MARCHE/ARRÊT (I/O), un témoin lumineux et, soit des pieds de 152 mm (6"), soit des supports de montage sur glissière pour un montage sous une table pour lave-vaisselle. Les appareils Compact ont une capacité de 23 litres (6 gallons) et fournissent jusqu'à 2169 lph (573 gph) d'eau de rinçage désinfectante avec une augmentation de 22°C (40°F) de la température.

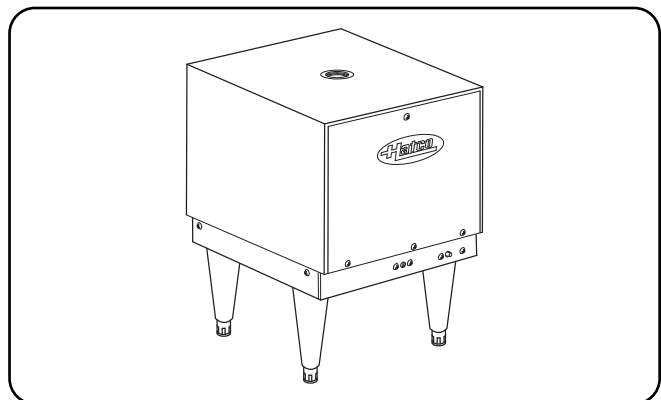


Modèle Compact

Série « MC » modèles Mini-Compact

Les modèles Mini-Compact de Hatco contiennent un réservoir en acier inoxydable avec une garantie limitée de 10 ans pour le réservoir, ainsi que des pieds de 152 mm (6"). Les appareils Mini-Compact ont une capacité de 12 litres (3,2 gallons) et fournissent jusqu'à 651 lph (172 gph) d'eau de rinçage désinfectante avec une augmentation de 22°C (40°F) de la température. Idéal pour la désinfection de l'eau chaude ou la distribution d'eau chaude sur le lieu d'utilisation.

NOTA: Les modèles Mini-Compact peuvent être configurés avec un interrupteur d'alimentation MARCHE/ARRÊT (I/O) en option.



Modèle Mini-Compact

Tailles des disjoncteurs et sectionneurs porte-fusibles— 4 à 12 kW

kW	Tension	Phase	Ampérage			Taille du disjoncteur ou fusible	Taille du fil de cuivre	Taille du conduit
			L1	L2	L3			
4	208	1	19	19	--	30	10	13 mm (1/2")
	240	1	17	17	--	30	10	13 mm (1/2")
	480	1	8	8	--	15	14	13 mm (1/2")
5	208	1	24	24	--	30	10	13 mm (1/2")
	240	1	21	21	--	30	10	13 mm (1/2")
	480	1	10	10	--	15	14	13 mm (1/2")
6	208	1	29	29	--	40	8	13 mm (1/2")
	208	3	14	25	14	40	8	13 mm (1/2")
	240	1	25	25	--	40	8	13 mm (1/2")
	240	3	13	22	13	30	10	13 mm (1/2")
	380	3	9.2	9.2	9.2	15	14	13 mm (1/2")
	480	3	6	11	6	15	14	13 mm (1/2")
	600	3	5.7	5.7	5.7	15	14	13 mm (1/2")
7	208	1	34	34	--	50	8	13 mm (1/2")
	208	3	17	29	17	40	8	19 mm (3/4")
	240	1	29	29	--	40	8	13 mm (1/2")
	240	3	15	25	15	40	8	13 mm (1/2")
	380	3	11.4	11.4	11.4	15	14	13 mm (1/2")
	480	3	7	13	7	20	12	13 mm (1/2")
	600	3	6.7	6.7	6.7	15	14	13 mm (1/2")
9	208	1	43	43	--	60	6	13 mm (1/2")
	208	3	22	38	22	50	8	13 mm (1/2")
	240	1	38	38	--	50	8	13 mm (1/2")
	240	3	19	33	19	50	8	13 mm (1/2")
	380	3	13.3	13.3	13.3	20	12	13 mm (1/2")
	480	3	9	16.3	9	30	12	13 mm (1/2")
9.9	208	1	47.5	47.5	--	60	6	13 mm (1/2")
	208	3	27.5	27.5	27.5	40	8	13 mm (1/2")
10.4	208	3	28.8	28.8	28.8	40	8	13 mm (1/2")
10.5	208	1	51	51	--	70	4	19 mm (3/4")
	208	3	29	29	29	40	8	13 mm (1/2")
	240	1	44	44	--	60	6	13 mm (1/2")
	240	3	25.3	25.3	25.3	40	8	13 mm (1/2")
	480	3	12.6	12.6	12.6	20	12	13 mm (1/2")
	600	3	10	10	10	15	14	13 mm (1/2")
11.4	240	1	47.5	47.5	--	60	6	13 mm (1/2")
	240	3	27.5	27.5	27.5	40	8	13 mm (1/2")
	480	3	13.7	13.7	13.7	20	12	13 mm (1/2")
12	208	1	58	58	--	90	3	25 mm (1")
	208	3	33	33	33	50	8	13 mm (1/2")
	240	1	50	50	--	70	4	19 mm (3/4")
	240	3	29	29	29	40	8	13 mm (1/2")
	380	3	19.1	19.1	19.1	30	10	13 mm (1/2")
	480	3	14.5	14.5	14.5	20	12	13 mm (1/2")
	600	3	11.6	11.6	11.6	15	14	13 mm (1/2")

Les informations électriques grisées dans le tableau désignent les modèles destinés à l'exportation uniquement.

NOTA: Taille de fil maximale de 250 kcmil pour le bornier.

Tailles des disjoncteurs et sectionneurs porte-fusibles — 13.5 à 30 kW

kW _a	Tension	Phase	Amp Draw			Taille du disjoncteur ou fusible	Taille du fil de cuivre	Taille du conduit
			L1	L2	L3			
13.5	208	1	65	65	--	90	3	25 mm (1")
	208	1	38	38	38	50	8	13 mm (1/2")
	240	1	56.3	56.3	--	90	3	25 mm (1")
	240	1	33	33	33	50	8	13 mm (1/2")
	480	1	16.3	16.3	16.3	30	10	13 mm (1/2")
	600	1	13	13	13	20	12	13 mm (1/2")
15	208	1	72	72	--	90	3	25 mm (1")
	208	3	41.7	41.7	41.7	60	6	19 mm (3/4")
	240	1	62.5	62.5	--	90	3	25 mm (1")
	240	3	36.1	36.1	36.1	50	8	13 mm (1/2")
	380	3	23.0	23.0	23.0	30	10	13 mm (1/2")
	480	3	18.1	18.1	18.1	30	10	13 mm (1/2")
	600	3	14.5	14.5	14.5	20	12	13 mm (1/2")
17.25	208	3	47.9	47.9	47.9	60	6	19 mm (3/4")
18	208	1	86.5	86.5	--	125	1	32 mm (1-1/4")
	208	3	50	50	50	70	4	25 mm (1")
	240	1	75	75	--	100	3	25 mm (1")
	240	3	43.4	43.4	43.4	60	6	19 mm (3/4")
	380	3	27.3	27.3	27.3	40	8	13 mm (1/2")
	480	3	21.7	21.7	21.7	30	10	13 mm (1/2")
	600	3	17	17	17	30	10	13 mm (1/2")
24	208	1	115.4	115.4	--	150	1/0	32 mm (1-1/4")
	208	3	66.7	66.7	66.7	90	3	25 mm (1")
	240	1	100	100	--	125	1	32 mm (1-1/4")
	240	3	57.8	57.8	57.8	90	3	32 mm (1-1/4")
	380	3	38.0	38.0	38.0	50	8	13 mm (1/2")
	480	3	29.9	29.9	29.9	40	8	13 mm (1/2")
	600	3	23	23	23	30	10	13 mm (1/2")
27	208	1	129.8	129.8	--	175	2/0	32 mm (1-1/4")
	208	3	75	75	75	100	3	25 mm (1")
	240	1	112.5	112.5	--	150	1/0	32 mm (1-1/4")
	240	3	65	65	65	90	3	25 mm (1")
	380	3	38.1	38.1	38.1	50	8	13 mm (1/2")
	480	3	32.5	32.5	32.5	50	8	13 mm (1/2")
	600	3	26	26	26	40	8	13 mm (1/2")
30	208	1	144	144	--	200	3/0	38 mm (1-1/2")
	208	3	83.3	83.3	83.3	125	1	32 mm (1-1/4")
	240	1	125	125	--	175	2/0	38 mm (1-1/2")
	240	3	72.3	72.3	72.3	100	3	25 mm (1")
	380	3	45.7	45.7	45.7	60	6	19 mm (3/4")
	480	3	36	36	36	50	8	13 mm (1/2")
	600	3	28.9	28.9	28.9	40	8	13 mm (1/2")

La taille du fil se base sur THHN isolé, fil de cuivre pour une protection du circuit de dérivation avec un coefficient de déclassement de 0,91. Les disjoncteurs et sectionneurs porte-fusibles doivent être montés séparément et raccordés par un électricien. Les tailles sont basées sur le tableau 310-16 du NEC 2002. La taille du conduit est basée sur les dimensions des conducteurs plus le fil de terre en fonction du Tableau C1 de l'Annexe C.

Seuls les modèles à 6, 7 et 9 kW peuvent être convertis à un fonctionnement en monophasé ou triphasé (triangle ouvert en triphasé). Vérifiez le schéma de câblage fourni avec le dispositif lorsque vous modifiez sa phase. Un grand circuit de dérivation est nécessaire pour un fonctionnement en triphasé équilibré avec un kW égal. Triphasé équilibré disponible, consultez l'usine.

Tailles des disjoncteurs et sectionneurs porte-fusibles — 36 à 57 kW

kW	Tension	Phase	Amp Draw			Taille du disjoncteur ou fusible	Taille du fil de cuivre	Taille du conduit
			L1	L2	L3			
36	208	1	173	173	--	225	4/0	38 mm (1-1/2")
	208	3	100	100	100	125	1	32 mm (1-1/4")
	240	1	150	150	--	200	3/0	38 mm (1-1/2")
	240	3	86.7	86.7	86.7	125	1	32 mm (1-1/4")
	380	3	54.7	54.7	54.7	70	4	25 mm (1")
	480	3	43.3	43.3	43.3	60	6	19 mm (3/4")
	600	3	34.7	34.7	34.7	50	8	13 mm (1/2")
39	208	1	187.5	187.5	--	250	250 kcmil	51 mm (2")
	208	3	108	108	108	150	1/0	32 mm (1-1/4")
	240	1	163.5	163.5	--	225	4/0	51 mm (2")
	240	3	94	94	94	125	1	32 mm (1-1/4")
	380	3	59.3	59.3	59.3	90	3	25 mm (1")
	480	3	47	47	47	60	6	19 mm (3/4")
	600	3	37.6	37.6	37.6	50	8	13 mm (1/2")
40	208	3	61.6	61.6	61.6	90	3	25 mm (1")
40.5	208	3	112.5	112.5	112.5	150	1/0	32 mm (1-1/4")
	240	3	97.5	97.5	97.5	125	1	32 mm (1-1/4")
	480	3	48.8	48.8	48.8	70	4	25 mm (1")
	600	3	39	39	39	50	8	19 mm (3/4")
45	208	3	125	125	125	175	2/0	38 mm (1-1/2")
	240	1	188	188	--	250	250 kcmil	51 mm (2")
	240	3	108	108	108	150	1/0	32 mm (1-1/4")
	380	3	68.6	68.6	68.6	90	3	25 mm (1")
	480	3	54	54	54	70	4	25 mm (1")
	600	3	43.4	43.4	43.4	60	6	19 mm (3/4")
54	208	3	150	150	150	200	3/0	51 mm (2")
	240	3	130	130	130	175	2/0	38 mm (1-1/2")
	380	3	82	82	82	125	1	32 mm (1-1/4")
	480	3	65	65	65	90	3	25 mm (1")
	600	3	52	52	52	70	4	25 mm (1")
57	208	3	158.4	158.4	158.4	200	3/0	51 mm (2")
	240	3	137.3	137.3	137.3	175	2/0	38 mm (1-1/2")
	380	3	86.7	86.7	86.7	125	1	32 mm (1-1/4")
	480	3	68.6	68.6	68.6	90	3	25 mm (1")
	600	3	54.9	54.9	54.9	70	4	25 mm (1")

Les informations électriques grisées dans le tableau désignent les modèles destinés à l'exportation uniquement.

La taille du fil se base sur THHN isolé, fil de cuivre pour une protection du circuit de dérivation avec un coefficient de déclassement de 0,91. Les disjoncteurs et sectionneurs porte-fusibles doivent être montés séparément et raccordés par un électricien. Les tailles sont basées sur le tableau 310-16 du NEC 2002. La taille du conduit est basée sur les dimensions des conducteurs plus le fil de terre en fonction du Tableau C1 de l'Annexe C.

NOTA: Taille de fil maximale de 250 kcmil pour le bornier.

AVERTISSEMENT

DANGER DE DÉCHARGE ÉLECTRIQUE : Consultez un électricien agréé pour l'accomplissement d'une installation électrique appropriée conformément aux réglementations nationales (National Electrical Code) et locales relatives à l'électricité.

Tableau de correspondance des lave-vaisselles basse température

RÉCHAUFFEURS PRÉVUS POUR UNE AUGMENTATION DE 16 °C (30 °F)		Électrique	
Lave-vaisselle	Numéro de modèle	Réchauffeur Compact	Réchauffeur Imperial
American Dish Service	AH, AH-3D, AH-3D-S, AHC, AHC-3D, AHC-3D-S, ET-A, ET-AF, ET-AH, ET-A-M, ET-AH-M, ET-A-3, ET-AH-3, L-90-3D, L-90-3D-K, L-90-3D-K-S, L-90-3D-S, L-90-3DC, L-90-3DC-K, L-90-3DC-K-S, L-90-3DC-S, L-90-3DW, L-90-3DW-K, L-90-3DW-K-S, L-90-3DW-S, L-90-3DWC, L-90-3DWC-K, L-90-3DWC-K-S, L-90-3DWC-S, WH, WHC C-4 S-6		
	A-3D, A-3D-S, A, AC, AC-3D, AC-3D-S, AH-B, ET-AF-3, ET-AF-M, HT-25, L-60-3D, L-60-3D-K, L-60-3D-K-S, L-60-3D-S, L-60-3DC, L-60-3DC-K, L-60-3DC-K-S, L-60-3DC-S, L-60-3DW, L-60-3DW-K, L-60-3DW-K-S, L-60-3DW-S, L-60-3DWC, L-60-3DWC-K, L-60-3DWC-K-S, L-60-3DWC-S, L-72-3D, L-72-3D-K, L-72-3D-K-S, L-72-3D-S, L-72-3DC, L-72-3DC-K, L-72-3DC-K-S, L-72-3DC-S, L-72-3DW, L-72-3DW-K, L-72-3DW-K-S, L-72-3DWC-S, L-72-3DWC, L-72-3DWC-K, L-72-3DWC-K-S, L-72-3DWC-S, W, WC C-5 S-6		
	A-B, AD-25, SS-25, 5-AH, 5-AHS C-6 S-6		
	AF, AF-3D, AF-3D-S, AF-B, AFC, AFC-3D, AFC-3D-S, AFW, AFWC, 5, 5-S C-7 S-7		
	ADC-44, ADC-66, 5-AG, 5-AGS, 5-CD-LF, 5-CD-RF C-9 S-9		
Blakeslee	U21-C C-4 S-6		
	D-8-LT C-6 S-6		
	DD-8-LT, R-CC64-LT, R-EE-LT C-12 S-12		
	Série XF-EE-LT, XF-PEE-LT, XF-LL-LT, XF-PLL-LT, XF-MM-LT, XF-PMM-LT, XF-EEE-LT, XF-LLL-LT, XF-MMM-LT C-13 S-13		
	Série R-L-LT, R-PL-LT, R-M-LT, R-PM-LT, F-L-LT, F-PL-LT, F-M-LT, F-PM-LT (réservoir unique) C-36 S-36		
	Série "R" & "F"-CC-LT, -EE-LT, -LL-LT, -MM-LT, -LLL-LT, -MMM-LT, -PCC-LT, -PEE-LT, -PLL-LT, -PMM-LT (réservoirs multiples) C-24 S-24		
	Série XF-L-LT, XF-PL-LT, XF-M-LT, XF-PM-LT (réservoir unique) C-54 S-54		
	Série XF-PEE-LT, XF-PLL-LT, XF-PMM-LT, XF-EEE-LT, XF-LLL-LT, XF-MMM-LT (réservoirs multiples) C-36 S-36		
	FA (Flight-A-Round) et RA (Rack-A-Round) utilisent une liste comparable à « F »		
Champion	ULD, ULF C-6 S-6		
	DLF C-13 S-13		
	KL44, KL66 C-36 S-36		
CMA Dish Machines	A-1, AH-1, C-1, VAC-1, A-3, AH-3, C-3, L-1C, VAC-3, VAC-4, VAC-5, L-1X C-4 S-6		
	A-2, AH-1, AH-2, AH-3, B-3, C-1, C-2, C-3, EVA-1, EVA-2, EVA-3, EVA-4, EVA-5, VAC-2 C-6 S-6		
	B-1 C-7 S-7		
	B-2 C-9 S-9		
	CMA-44L avec réchauffeur de réservoir, CMA-66L C-24 S-24		
	CVA-1, CVA-2, CVA-3, CVA-4 C-6 S-6		
	CVA-5 C-7 S-7		
Hobart	LX-18C, LX-30C, LX-40C, WM-5C, SR24C C-4 S-6		
	LT-1 C-6 S-6		
	AM-14, AM-14C C-7 S-7		
	C44A, CRS66A, CPW80A C-27 S-27		
	FT-800 C-30 S-30		
Jackson	Conserver 24LT, 200LT, ES1000, (Ecolab/Jackson) C-4 S-6		
	Conserver 1, Conserver XL, ES2000 (Ecolab/Jackson) C-9 S-9		
	Conserver 2, Conserver XL2, ES4000 (Ecolab/Jackson) C-15 S-15		
	AJ-44, AJ-66, AJ-80 C-18 S-18		
Knight Equipment LTD.	KLE-112-HL C-5 S-6		

Tableau de correspondance des réchauffeurs

Lave-vaisselle	Numéro de modèle	RÉCHAUFFEUR COMPACT ÉLECTRIQUE		RÉCHAUFFEUR IMPERIAL ÉLECTRIQUE		
		Augmentation de température		Augmentation de température		
		22°C (40°F)	39°C (70°F)	22°C (40°F)	39°C (70°F)	
Adamation	CSL-1390, CA-2, CA-3, CA-4, SLAP 44	C-39	(2)C-36	S-39	(2)S-36	
	CA, CA-1	C-54	(2)C-45	S-54	(2)S-45	
Alvey	FLC-10, SL-2S	---	---	S-6	S-9	
	FLC-12, CL-1, CL-1 Plaque tournante, SA-5A	---	---	S-7	S-12	
	FL-2S	---	---	S-9	S-13	
	KS-70, KS70M SB	---	---	S-9	S-15	
	SL-2D	---	---	S-13	S-18	
	FLC-36	---	---	S-15	S-27	
	KS-88	---	---	S-18	S-30	
	KS-70-N, KS-88-N	---	---	S-39	---	
American Dish Service	HT-25	C-7	C-12	S-7	S-12	
	ACD-44, ADC-66	C-12	C-24	S-12	S-24	
Blakeslee	UC-21A, UC-21B	C-4	C-4	S-6	S-6	
	UC-21	C-6	C-12	S-6	S-12	
	D-8	C-9	C-13	S-9	S-13	
	D-9	C-12	C-17	S-12	S-17	
	Série "R" & "F" -CC, -EE, -LL, -MM, -LLL, -MMM, -PCC, -PEE, -PLL, -PMM (réservoirs multiples) avec suffixe « LC »	C-13	C-24	S-13	S-24	
	Série XF-EE, XF-LL	C-17	C-30	S-17	S-30	
	Série XF-LL, XF-PLL, XF-MM, XF-PMM, XF-EEE, XF-LLL, XF-MMM (réservoirs multiples) avec suffixe « LC »	C-17	C-30	S-17	S-30	
	DD-8	C-18	C-30	S-18	S-30	
	Série F-E, FA-EE, FA-PEE, FA-LL, FA-PLL, FA-MM, FA-PMM, F-EEE, FA-EEE, FA-LLL, FA-MMM, F-PE	C-30	C-54	S-30	S-54	
	Série R-L, R-PL, R-M, R-PM, F-L, F-PL, F-M, F-PM (réservoir unique)	C-36	C-54	S-36	S-54	
	Série XF-L, XF-PL, XF-M, XF-PM, (réservoir unique)	(2)C-36	---	(2)S-36	---	
	Série R-E, R-PE, XF-PEE, XF-PLL, XF-PMM, XF-EEE, XF-LLL, XF-MMM (réservoirs multiples)	C-45	(2)C-30	S-45	(2)S-30	
	FA (Flight-A-Round) et RA (Rack-A-Round) utilisent une liste comparable à « F ».					
	Champion	U-H1, UH-200, UH-200B, U-HB	C-4	C-6	S-6	S-6
		UL-150	C-4	C-7	S-6	S-7
UH-150, UH-150B, UH-100, UH-100B, DHB-VS		C-5	C-9	S-6	S-9	
D-H1, D-HB		C-6	C-12	S-6	S-12	
D-H1T, D-HBT		C-7	C-12	S-7	S-12	
44 DRWS, 66 DRPWWS, 80 DRHDPWWS, 70 DRFFPWWS		C-9	C-13	S-9	S-13	
PP-28		C-9	C-15	S-9	S-15	
D-H1C, D-H1TC		C-9	C-18	S-9	S-18	
44 DR, 66 DRPW, 80 DRHDFW, 70 DRFFPW		C-12	C-24	S-12	S-24	
66 WSPW, 44-WS, 66-WS, 64, 90FFPW, 100HDPW, 86 PW, 84, 106 PW, 120 HDPW, 110 FFPW		C-13	C-24	S-13	S-24	
UC-CW6-WS		C-24	C-36	S-24	S-36	
US-CW8-WS		C-24	C-39	S-24	S-39	
44, 66 PW, 70FFPW, 80HDPW, 54, 76PW, 80FFPW, 90HDPW		C-24	C-45	S-24	S-45	
40-KB, 40-KB-2-2, 40-KFWB, 40-KPRB, 40KPRB-2-2, 40KPRB-2-3, 60-KB, 60-KB-2-2, 60-KFWB, 60-KFWB-2-2, 60-KPRB, 60-KPRB-2-3, 64KB, 64-KB Coin, 64-KPRB, 64-KPRB Coin, 64 Modulaire, 86 Modulaire		C-30	C-54	S-30	S-54	
44-KB, 44-KB Coin, 44-KPRB, 44-KPRB Coin, 54-KB, 54-KB Coin, 54-KPRB, 54-KPRB Coin, 44 Modulaire, 66 PW Modulaire, UC** Série Centre 1,8 m (6'), UC-C4		C-36	C-57	S-36	S-57	
UC-CW4		C-36	(2)C-36	S-36	(2)S-36	
UC-C		C-45	(2)C-36	S-45	(2)S-36	
UC**CW Série Centre 1,8 m (6')		C-45	(2)C-39	S-45	(2)S-40	
W-6-WS		C-45	(2)C-45	S-45	(2)S-40	

Tableau de correspondance des réchauffeurs (suite)

Lave-vaisselle	Numéro de modèle	RÉCHAUFFEUR COMPACT ÉLECTRIQUE		RÉCHAUFFEUR IMPERIAL ÉLECTRIQUE	
		Augmentation de température		Augmentation de température	
		22°C (40°F)	39°C (70°F)	22°C (40°F)	39°C (70°F)
CMA					
Dish Machines	CMA-180	C-7	C-12	S-7	S-12
	CMA-44H avec réchauffeur de réservoir, CMA-66H	C-36	C-45	S-36	S-45
Hobart					
	AM-15F	C-4	C-6	S-6	S-6
	LXiC, LXiGC, LX-18C, LX-30C, LX-40C	C-4	C-7	S-6	S-6
	LX-30, SR24, SR24H	C-4	C-7	S-6	S-7
	LX-18, AM-14F, AM-15, AM-15T	C-5	C-9	S-6	S-9
	WM-5C	C-6	C-9	S-6	S-9
	WM-5 (sans réchauffeur de bassin collecteur)	C-7	C-12	S-7	S-12
	AM-14T, AM-14TC	C-7	C-12	S-7	S-12
	AM-14, AM-14C	C-9	C-12	S-9	S-12
	AM-12, AM-12C*	C-9	C-12	S-9	S-12
	UW-50	---	---	S-15	S-24
	ou Opti-Rinse C44A, CRS-66A, CCS-66A, CPW-80A, C54A, CRS-76A, CCS-76A, CPW-90A, C64A, CRS-86A, CCS-86A, CPW-100A, C-88A, CRS-110A, CCS-110A, CPW-124A	C-15	C-27	S-15	S-27
	C-54A, CRS-76A, CPW-90A, CCS-76A	C-39	(2)C-36	S-30	(2)S-36
	C-44A, CRS-66A, CCS-66A, CPW-80A, C-64A, CRS-86A, CCS-86A, CPW-100A	C-30	C-54	S-30	S-54
	C-88A, CRS-110A, CPW-124A, CCS-110A	C-36	C-54	S-36	S-54
	ou Opti-Rinse C44AW, CRS-66AW, CCS-66AW, CPW-80AW	C-9	C-15	S-9	S-15
	C-44AW, CRS-66AW, CPW-80AW, CCS-66AW	C-12	C-24	S-12	S-24
	C-44, CRS-66, CPW-80	C-36	C-54	S-36	S-54
	C-54, CRS-76, CPW-90	C-54	(2)C-39	S-54	(2)S-39
	C-64W, CRS-86W, CPW-100W, C-88W, CRS-110W, CPW-124W, CCS-86W	C-24	C-36	S-24	S-36
	C-64, CRS-86, CPW-100	C-45	(2)C-36	S-45	(2)S-36
	FT800W, FT-900W	C-24	C-39	S-24	S-39
	FT-600, FT-700	C-54	(2)C-39	S-54	(2)S-39
	FT800	C-39	(2)C-39	S-39	(2)S-39
	Opti-Rinse*	C-36	C-57	S-36	S-57
	FT800S, FT-900S	C-39	(2)C-36	S-39	(2)S-36
	UTW-28, UTW-28C	---	---	S-18	S-36
	FRC et FR (série Fast Rack) utilisent une liste de gamme comparable à « C ».				
Insinger					
	GS 302, GS-14	C-4	C-4	S-6	S-6
	45SA-5	C-4	C-7	S-6	S-7
	Commander 18-5C, 18-5CH, CS-5, CS-5C, CS-5CH, CS-5H	C-6	C-12	S-6	S-12
	Commander 18-5, 18-5H, Ensign 40-2	C-6	C-12	S-6	S-12
	Admiral 44-4, 66-4	C-24	C-36	S-24	S-39
	135-20, 185-20, 250-20, 60-20, 85-20, R-106-2	C-24	C-25	S-24	S-45
	Speeder 64, 86-3, Century (tous), Super 106-2	C-24	C-45	S-24	S-45
	Trac 878	C-24	C-36	S-24	S-36
	Century 14, Clipper RC-##-RPW-W	C-24	C-39	S-24	S-39
	Clipper (tous), R106-2, Super 106-2, Trac 321, Trac 321-2/RPWC-27	C-45	C-45	S-27	S-45
	Defender-(1)	C-30	C-54	S-30	S-54
	Defender	C-36	C-54	S-36	S-54
	Master (tous)	C-36	C-57	S-36	S-57
	CA-3	---	---	S-9	S-24
	DA-3	---	---	(2)S-9	(2)S-24
	Concernant les anciens modèles, consultez l'usine pour trouver le bon réchauffeur.				

* Le modèle AM-12 avec le n° de série 12-067-357 ou en dessous et le modèle AM-12C avec le n° de série 12-067-537 ou en dessous de Hobart nécessitent un réchauffeur légèrement plus grand que ce qui est listé. Les modèles « C » avec le n° de série 85-1041605 ou plus utilisent Opti-Rinse.

Les zones ombrées indiquent les modèles anciens sortis avant l'apparition d'Opti-Rinse.

Tableau de correspondance des réchauffeurs (suite)

Lave-vaisselle	Numéro de modèle	RÉCHAUFFEUR COMPACT ÉLECTRIQUE		RÉCHAUFFEUR IMPERIAL ÉLECTRIQUE	
		Augmentation de température		Augmentation de température	
		22°C (40°F)	39°C (70°F)	22°C (40°F)	39°C (70°F)
Jackson	JP-24, JP-24B, JP-24F, JP-24BF	C-4	C-6	S-6	S-6
	24B Série	---	C-4	---	S-6
	10AB, 10APRB	---	C-5	---	S-6
	44CE*, 66 CERPW	C-30	C-54	S-30	S-54
	54CE, 76 CERPW	C-36	(2)C-30	S-36	(2)S-30
	64CE, 86 CERPW	C-27	C-39	S-27	S-39
	100	C-12	C-24	S-12	S-24
	100B, 100PRB, 150B, 150PRB	---	C-9	---	S-9
	150	C-12	C-18	S-12	S-18
	200	C-7	C-12	S-7	S-12
	200B	---	C-6	---	S-6
	Tempstar, Tempstar SDS, Tempstar HH	C-6	C-12	S-6	S-12
	TS-44, TS-66	C-24	C-36	S-24	S-36
	AJ-44, AJ-66, AJ-80, WH-44, ES-4400, ES-6600 (Ecolab/Jackson)	C-24	C-45	S-24	S-45
	AJ-54, AJ-76, AJ-90	C-36	(2)C-36	S-36	(2)S-36
	AJ-64, AJ-86, AJ-100	C-24	C-39	S-24	S-39
	*Le modèle n° 44CE avec SN1999 ou en dessous nécessite un plus grand réchauffeur que ce qui est listé.				
Knight Equipment LTD.	KLE-112-HL	C-7	C-12	S-7	S-12
Meiko	K-44, K-66, K-80	C-24	C-36	S-24	S-36
	K-54, K-76, K-90, K-64, K-86, K-100	C-24	C-45	S-24	S-45
Metalwash/Intedged	FW4	C-12	C-18	S-12	S-18
	RS-30A, RS-28L	---	---	S-15	S-24
	RT-74, RT-60, RT-42B, RT-42BC	---	---	S-27	S-40
	RS-2R	---	---	S-30	S-45

Tableau de correspondance des réchauffeurs (suite)

Lave-vaisselle	Numéro de modèle	RÉCHAUFFEUR COMPACT ÉLECTRIQUE		RÉCHAUFFEUR IMPERIAL ÉLECTRIQUE	
		Augmentation de température 22°C (40°F)	39°C (70°F)	22°C (40°F)	39°C (70°F)
Stero	SCT-44-10-LW, SCT-44-LW, SCT-66S-LW, SCT-76S-LW, SCT-76SC-LW, SCT-90S-LW	C-12	C-24	S-12	S-24
	SC-1-2-4-LW, SC-1-6-4-LW, SC-2-4-LW, SC-5-2-4-LW, SC-5-6-4-LW, SC-6-4-LW	C-24	C-45	S-24	S-45
	SCT-64, SCT-86S, SCT-94S, SCT-94SC	C-24	C-39	S-24	S-39
	SCT-108S, SCT-108SC, SCT-76, SCT-94SM	C-27	C-54	S-27	S-54
	SC-6-4, SCT-44, SCT-44-10, SCT-66S, SCT-76S, SCT-76SC, SCT-90S	C-30	C-54	S-30	S-54
	SCT-120S, SCT-120SC, SCT-120SM, SCT-150SM	C-36	C-57	S-36	S-57
	STW-110, SC-1-2-7-4, SC-1-6-3-4, SC-1-6-7-4, SC-2-7-4, SC-5-2-7-4, SC-5-6-3-4, SC-5-6-7-4, SC-6-3-4, SC-6-7-4	C-39	(2)C-36	S-39	(2)S-39
	SC-1-2-4, SC-1-6-4, SC-2-4, SC-5-2-4, SC-5-6-4	C-45	(2)C-36	S-45	(2)S-45
	SCT-44-10-SC-1-3-4, SCT-44-10-3-4, SCT-44-SC-1-3-4, SCT-44-SC-3-4, SCT-54-SC-1-3-4, SCT-54-SC-3-4, SCT-76S-SC-3-4	C-45	(2)C-36	S-40	(2)S-36
	STPC (Quatre réservoirs)	C-24	C-39	S-24	S-39
	STPCW (Quatre réservoirs)	C-24	C-45	S-24	S-40
	STPC	C-27	C-54	S-27	S-54
	STPCW	C-36	(2)C-30	S-36	(2)S-30
	SCBT	C-45	(2)C-36	S-40	(2)S-36
	SF-1RA, SC20-1	C-7	C-12	S-7	S-12
	SF-2RA, SF-2DRA, SD-2RA, SDRA, SDRA-PACK	C-12	C-18	S-12	S-18
	SCT-54, SCT-76SM	C-36	C-57	S-36	S-57
	SCT-76, SCT-80, SCT-94, SCT-108, SCT-120	C-45	C-57	S-45	S-57
	U-31-A, U-31-AC	---	---	S-18	S-36
	U-31-A2	C-45	(2)C-36	S-45	(2)S-36
	STBUW-14	C-57	(2)C-54	S-57	(2)S-54
	SC-2-3-4, SC-5-2-3-4	C-30	(2)C-27	S-30	(2)S-27
	SC20-2	C-12	C-24	S-12	S-24
	SC-2-8, SC-2-9, SC-1-2-8, SC-5-6-8, SC-6-8, SC-6-9, SC-1-6-8, SC-5-6-9, SC-5-2-9, SC-1-6-9, SC-5-2-8	C-18	C-36	S-18	S-36

Ce tableau de sélection se base sur des augmentations de température de 22°C (40°F) et de 39°C (70°F), une pression d'eau de 138 kPa (20 psi), et un paramètre de minuterie du cycle de rinçage minimum selon la liste NSF.

Tous les réchauffeurs correspondent à 100 % de la capacité des lave-vaisselles, comme recommandé par la National Sanitation Foundation. Lorsque l'eau d'appoint pour le réservoir de lavage est fournie par l'alimentation du rinçage final, les recommandations du tableau se basent sur cette demande supplémentaire (pas au-dessus de 7,6 L/min [2 GPM]) comme demandé par la NSF.

NOTA: L'ensemble des caractéristiques listées correspondent à celles fournies par les fabricants des lave-vaisselles. Hatco Corporation n'est pas responsable des applications incorrectes de ces caractéristiques.

Capacité — Série « MC » Mini-Compact

Model	kW	Augmentation de 22 °C (40 °F)	Augmentation de 39°C (70°F)	Capacité de stockage	Poids d'expédition
MC-10	9.9	375 lph (99 gph)	216 lph (57 gph)	12 liters (3.2 gallons)	22 kg (48 lbs.)
MC-10.5	10.4	393 lph (104 gph)	227 lph (60 gph)	12 liters (3.2 gallons)	22 kg (48 lbs.)
MC-11	11.4	432 lph (114 gph)	248 lph (65 gph)	12 liters (3.2 gallons)	22 kg (48 lbs.)
MC-15	15	568 lph (150 gph)	326 lph (86 gph)	12 liters (3.2 gallons)	22 kg (48 lbs.)
MC-17	17.25	655 lph (173 gph)	375 lph (99 gph)	12 liters (3.2 gallons)	22 kg (48 lbs.)

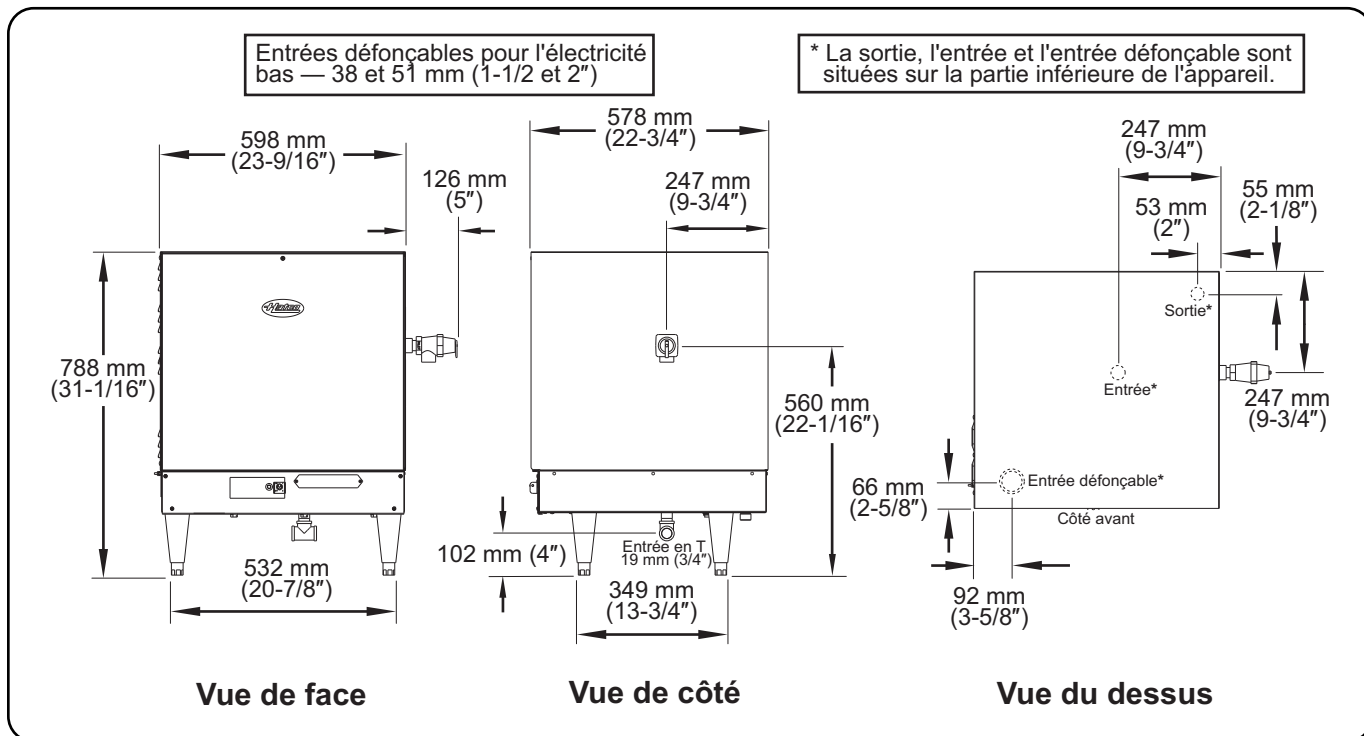
Capacité — Série « S » Imperial

Model	kW	Augmentation de 22°C (40 °F)	Augmentation de 39°C (70°F)	Capacité de stockage	Poids d'expédition
S-6	6	227 lph (60 gph)	129 lph (34 gph)	61 liters (16 gallons)	91 kg (200 lbs.)
S-7	7	265 lph (70 gph)	151 lph (40 gph)	61 liters (16 gallons)	91 kg (200 lbs.)
S-9	9	341 lph (90 gph)	197 lph (52 gph)	61 liters (16 gallons)	91 kg (200 lbs.)
S-12	12	454 lph (120 gph)	261 lph (69 gph)	61 liters (16 gallons)	91 kg (200 lbs.)
S-13	13.5	511 lph (135 gph)	292 lph (77 gph)	61 liters (16 gallons)	91 kg (200 lbs.)
S-15	15	572 lph (151 gph)	326 lph (86 gph)	61 liters (16 gallons)	91 kg (200 lbs.)
S-17	17.2	655 lph (173 gph)	375 lph (99 gph)	61 liters (16 gallons)	91 kg (200 lbs.)
S-18	18	685 lph (181 gph)	390 lph (103 gph)	61 liters (16 gallons)	91 kg (200 lbs.)
S-24	24	912 lph (241 gph)	522 lph (138 gph)	61 liters (16 gallons)	97 kg (214 lbs.)
S-27	27	1026 lph (271 gph)	587 lph (155 gph)	61 liters (16 gallons)	97 kg (214 lbs.)
S-30	30	1139 lph (301 gph)	651 lph (172 gph)	61 liters (16 gallons)	97 kg (214 lbs.)
S-36	36	1367 lph (361 gph)	780 lph (206 gph)	61 liters (16 gallons)	97 kg (214 lbs.)
S-39	39	1480 lph (391 gph)	848 lph (224 gph)	61 liters (16 gallons)	97 kg (214 lbs.)
S-40	40.5	1541 lph (407 gph)	878 lph (232 gph)	61 liters (16 gallons)	102 kg (224 lbs.)
S-45	45	1711 lph (452 gph)	977 lph (258 gph)	61 liters (16 gallons)	102 kg (224 lbs.)
S-54	54	2052 lph (542 gph)	1174 lph (310 gph)	61 liters (16 gallons)	102 kg (224 lbs.)
S-57	57	2169 lph (573 gph)	1234 lph (326 gph)	61 liters (16 gallons)	102 kg (224 lbs.)

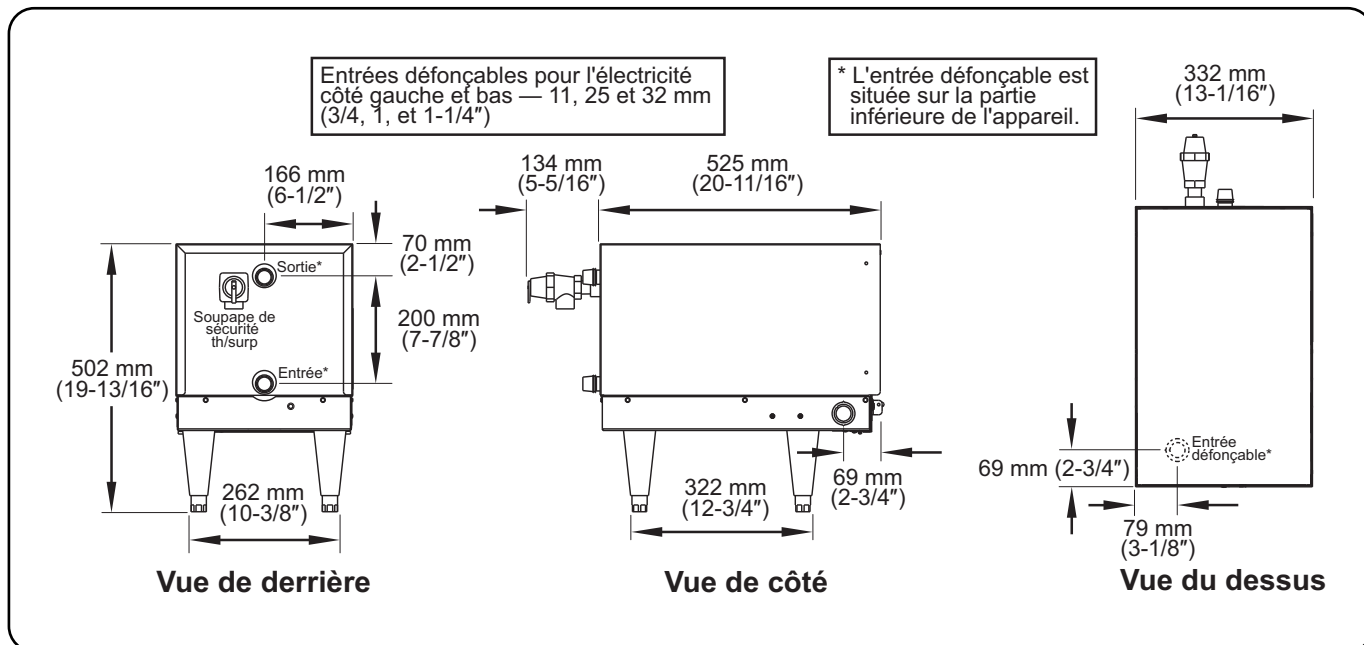
Capacité — Série « C » Compact

Model	kW	Augmentation de 22°C (40 °F)	Augmentation de 39°C (70°F)	Capacité de stockage	Poids d'expédition
C-4	4	151 lph (40 gph)	87 lph (23 gph)	23 liters (6 gallons)	48 kg (105 lbs.)
C-5	5	189 lph (50 gph)	110 lph (29 gph)	23 liters (6 gallons)	48 kg (105 lbs.)
C-6	6	227 lph (60 gph)	129 lph (34 gph)	23 liters (6 gallons)	54 kg (118 lbs.)
C-7	7	265 lph (70 gph)	151 lph (40 gph)	23 liters (6 gallons)	54 kg (118 lbs.)
C-9	9	341 lph (90 gph)	197 lph (52 gph)	23 liters (6 gallons)	54 kg (118 lbs.)
C-12	12	454 lph (120 gph)	261 lph (69 gph)	23 liters (6 gallons)	54 kg (118 lbs.)
C-13	13	511 lph (135 gph)	292 lph (77 gph)	23 liters (6 gallons)	54 kg (120 lbs.)
C-15	15	572 lph (151 gph)	326 lph (86 gph)	23 liters (6 gallons)	54 kg (120 lbs.)
C-17	17	655 lph (173 gph)	375 lph (99 gph)	23 liters (6 gallons)	54 kg (120 lbs.)
C-18	18	685 lph (181 gph)	390 lph (103 gph)	23 liters (6 gallons)	54 kg (120 lbs.)
C-24	24	912 lph (241 gph)	522 lph (138 gph)	23 liters (6 gallons)	64 kg (142 lbs.)
C-27	27	1026 lph (271 gph)	587 lph (155 gph)	23 liters (6 gallons)	64 kg (142 lbs.)
C-30	30	1139 lph (301 gph)	651 lph (172 gph)	23 liters (6 gallons)	64 kg (142 lbs.)
C-36	36	1367 lph (361 gph)	780 lph (206 gph)	23 liters (6 gallons)	64 kg (142 lbs.)
C-39	39	1480 lph (391 gph)	848 lph (224 gph)	23 liters (6 gallons)	64 kg (142 lbs.)
C-45	45	1711 lph (452 gph)	977 lph (258 gph)	23 liters (6 gallons)	64 kg (142 lbs.)
C-54	54	2052 lph (542 gph)	1174 lph (310 gph)	23 liters (6 gallons)	64 kg (142 lbs.)
C-57	57	2169 lph (573 gph)	1234 lph (326 gph)	23 liters (6 gallons)	64 kg (142 lbs.)

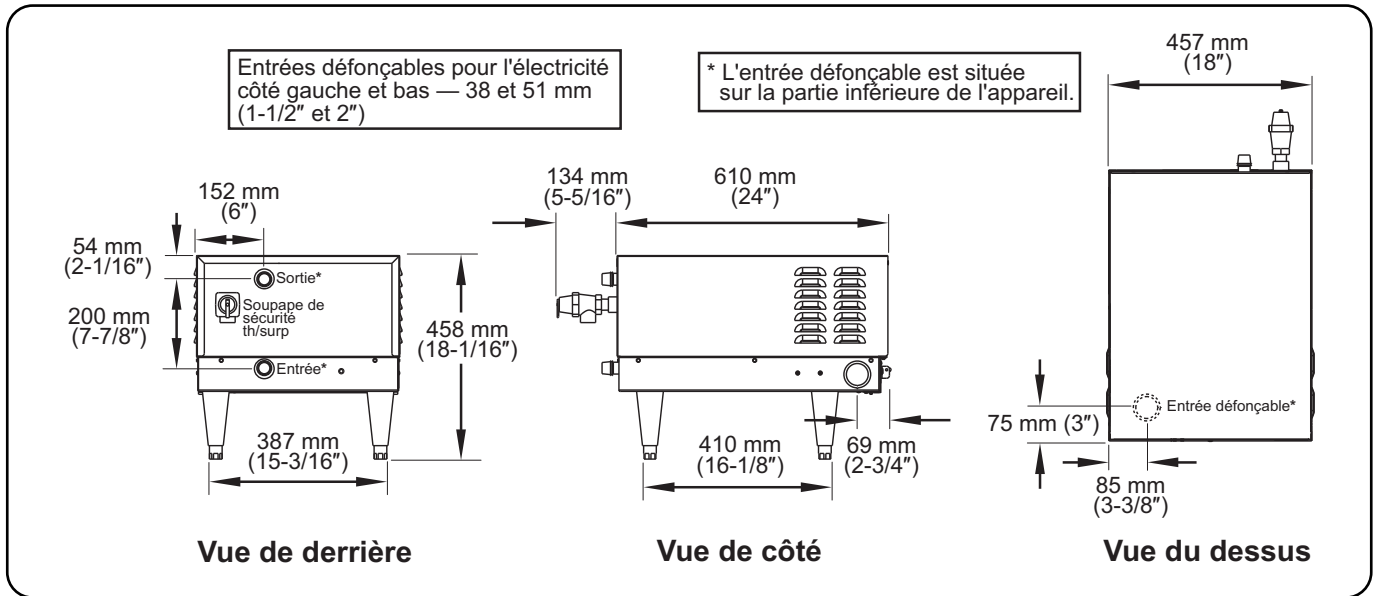
Dimensions — Série « S » Imperial



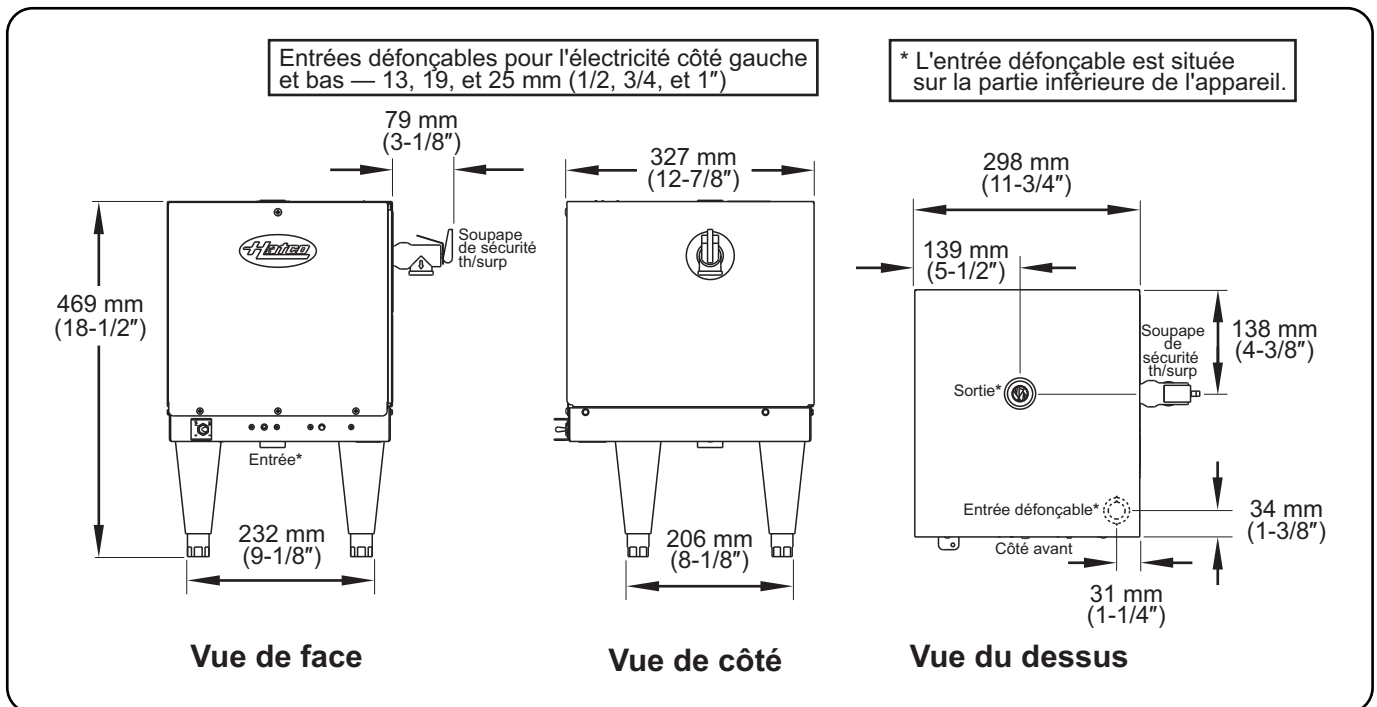
Dimensions — Série « C » Compact 4 à 18 kW



Dimensions — Série « C » Compact 24 à 57 kW



Dimensions — Série « MC » Mini-Compact



Généralités

Les réchauffeurs sont expédiés avec la majorité des composants déjà montés. Veillez à ne pas endommager l'appareil et les composants qu'il renferme lors du déballage du carton d'expédition. Les composants sont expédiés avec l'appareil de chauffage.

⚠ AVERTISSEMENT

DANGER DE DÉCHARGE ÉLECTRIQUE :

- L'appareil doit être installé par des installateurs professionnels qualifiés. L'installation doit être conforme à toutes les normes électriques et de plomberie locales. Une installation par un personnel non qualifié aura pour conséquence une annulation de la garantie de l'appareil et peut entraîner une décharge électrique ou une brûlure, ainsi que des dommages pour l'appareil et/ou ses alentours. Vérifiez les procédures et les normes à suivre auprès de vos inspecteurs locaux en plomberie et en électricité.
- L'appareil n'est pas à l'épreuve des intempéries. Placer l'appareil à l'intérieur à une température ambiante de 70°F (21°C) minimum.
- Ne placez pas des panneaux de rechange sur ou par-dessus le réchauffeur. Cela pourrait entraîner une hausse de la température et une accumulation d'humidité qui provoqueraient une défaillance prématurée et une décharge électrique.

RISQUE D'EXPLOSION: Ne conservez pas ou n'utilisez pas d'essence ou d'autres vapeurs ou liquides inflammables à proximité de ce réchauffeur ou de tout autre appareil.

Montez le réchauffeur d'eau en position horizontale avec la base parallèle au sol et le raccordement d'entrée au point le plus bas. Une installation inappropriée peut poser des risques.

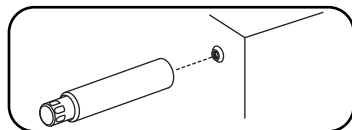
Montez le réchauffeur d'eau aussi près que possible d'un lave-vaisselle professionnel. Effectuez une recirculation si la distance entre le réchauffeur d'eau et le lave-vaisselle dépasse les spécifications de 1524 mm (5') linéaires de la National Sanitation Foundation (NSF).

1. Retirer l'appareil de sa boîte.

NOTA : Pour éviter des retards dans l'obtention de la couverture de la garantie, complétez l'enregistrement en ligne de votre garantie. Lisez la section INFORMATIONS IMPORTANTES POUR LE PROPRIÉTAIRE pour plus de détails.

2. Retirez le ruban et l'emballage de protection de toutes les surfaces de l'appareil.

3. Si l'appareil est équipé de pieds, posez-le soigneusement sur le côté et montez les quatre pieds.



AVIS

Ne pas poser l'appareil sur le côté du panneau de commande sous peine de l'endommager.

NOTA: Si l'appareil est bancal, utilisez une clé réglable pour ajuster la longueur de chaque pied jusqu'à ce que l'appareil soit à niveau. Chaque pied est réglable de 152 mm à 178 mm (6 po à 7").

4. Placer l'appareil à l'endroit souhaité.

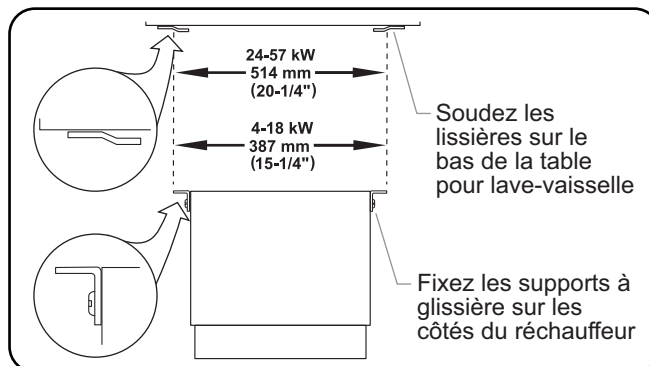
- L'emplacement doit être propre et sec ainsi que présenter une base solide.
- Il est nécessaire de dégager la partie avant de façon appropriée pour permettre l'accès au compartiment de commande. Hatco recommande un dégagement des côtés d'au moins 51 mm (2").
- L'emplacement doit être suffisamment dégagé pour permettre une inspection, le test ou le remplacement de la soupape de sécurité thermique et/ou de surpression.
- Montez le réchauffeur aussi près que possible du lave-vaisselle professionnel pour un fonctionnement efficace.

⚠ AVERTISSEMENT

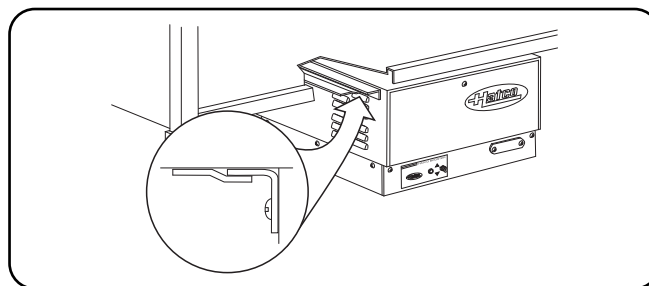
Respectez les procédures d'application et de sécurité standard relatives à la soudure lorsque vous fixez des glissières sur la partie inférieure d'une table pour lave-vaisselle.

Assurez-vous que la table pour lave-vaisselle est suffisamment résistante pour supporter le poids du réchauffeur ET de l'eau lorsque vous le montez avec des supports de montage sur glissière.

5. Montez l'appareil sous une table pour lave-vaisselle à l'aide des supports de montage sur glissière, le cas échéant (série Compact uniquement).
 - a. Soudez les glissières sur la partie inférieure de la table pour lave-vaisselle.
 - b. En utilisant les supports à glissière de Hatco comme guide, percez des orifices de 3 mm (1/8") sur les côtés de la protection du réchauffeur.
 - c. Fixez les supports à glissière sur les côtés du réchauffeur à l'aide des vis fournies.
 - d. Glissez le réchauffeur sur les glissières sous la table.



Support de suspension



Réchauffeur de la série Compact monté sous une table à lave-vaisselle

Installation de la plomberie

▲ AVERTISSEMENT

Utilisez des matériaux de plomberie en cuivre uniquement. Matériel de plomberie non-cuivre peut créer une situation dangereuse.

Ne raccordez pas les réchauffeurs d'eau à des lave-vaisselles domestiques (de particuliers) ou à d'autres équipements à usage domestique. Ce réchauffeur peut endommager les équipements domestiques.

Veillez consulter LE TABLEAU DE CORRESPONDANCE DES RÉCHAUFFEURS de ce manuel pour vous assurer que la taille est appropriée et ainsi éviter des blessures et/ou dommages au réchauffeur.

▲ ATTENTION

Ne raccordez pas directement le réchauffeur d'eau à une chaudière, à une bobine d'un système de chauffage ou à toute autre source de température non contrôlée. Le thermostat du réchauffeur pourrait être endommagé, ce qui provoquerait une surchauffe de l'appareil.

Ne raccordez un vase d'expansion d'aucune sorte aux conduites d'eau du réchauffeur.

AVIS

Utilisez des couplages diélectriques lorsque vous raccordez des métaux différents, comme du métal galvanisé à du cuivre. Cela empêchera la survenue d'une électrolyse ou d'un dommage prématuré à la plomberie.

Ne tournez et n'ajustez pas le raccordement d'entrée de l'eau sur les réchauffeurs de la série Compact, ou l'écoulement interne de l'eau sera modifié.

Ne sortez et ne desserrez pas les raccords de tuyau, cela pourrait provoquer des fuites.

Ne pas poser l'appareil sur le côté du panneau de commande sous peine de l'endommager.

L'eau entrante qui dépasse 0,75 grain de dureté par litre (GPL) (3 grains de dureté par gallon [GPG]) doit être traitée et adoucie avant d'être introduite dans le(s) réchauffeur(s). L'eau contenant plus de 0,75 GPL (3 GPG) diminue l'efficacité, augmente la consommation d'énergie et réduit la durée de vie utile de l'appareil par le biais d'une augmentation de l'accumulation de calcaire. Les dommages du produit causés par une accumulation de calcaire ou de sédiments ne sont pas couverts par la garantie.

N'utilisez pas de l'eau désionisée. De l'eau désionisée raccourcit la durée de vie du réservoir d'eau et des éléments chauffants.

NOTA: Les dommages du produit causés par une accumulation de calcaire ou de sédiments ne sont pas couverts par la garantie.

NOTA: Un robinet de vidange et un raccord-union d'1,9 cm (3/4") sont nécessaires pour faciliter la maintenance.

NOTA: Un réducteur de débit (n° de réf. 03.02.074.00) facultatif est disponible pour une installation sur la conduite d'entrée d'eau.

NOTA: Certains lave-vaisselles nécessitent le raccordement de deux réchauffeurs en série (et non pas en parallèle) pour répondre à la demande. Pour assurer un fonctionnement correct, un écart de température de 17°C (30°F) doit être maintenu entre l'entrée et le sortie du chauffe réchauffeur d'eau.

Entrée

Suivez la procédure suivante pour installer l'ensemble entrée. Veuillez vous référer au schéma « Raccordements de plomberie » adéquat de cette partie pour plus d'informations.

1. Raccordez l'entrée du réchauffeur à une conduite d'alimentation en eau chaude de cuivre provenant d'un chauffe-eau normal.
 - La température de l'eau provenant du chauffe-eau doit être de 46°–63°C (115 °–145°F) et **ne doit pas dépasser les 68 °C (155 °F)**. L'écart de température minimal entre l'entrée et la sortie ne doit jamais être inférieur à 17°C (30°F).

NOTA: Veuillez consulter le tableau de correspondance des réchauffeurs pour des informations sur les applications.

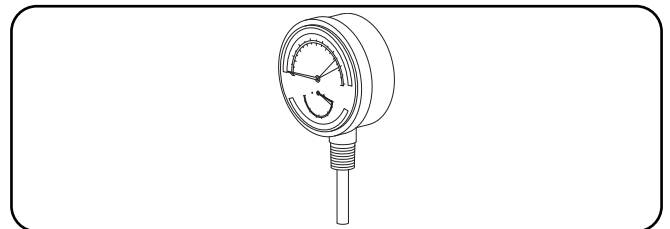
NOTA: La marque rouge sur les conduites d'eau d'entrée et de sortie des appareils de la série Compact doit rester sur le point le plus haut.

2. Montez une vanne d'arrêt (de type à bille ou robinet-vanne à passage intégral).
3. Montez l'une des jauges de température/pression.
 - Lorsque vous installez la jauge de température/pression, le capteur de température doit se trouver dans l'écoulement d'eau et la jauge doit être montée droite.

NOTA: Serrez la jauge lors de l'installation en tournant uniquement l'écrou en laiton d'1,3 cm (1/2"). NE tournez PAS le cadran de la jauge. Si vous tournez le cadran, vous obtiendrez des mesures inexactes.

▲ ATTENTION

Hatco demande l'installation de deux jauges de température/pression (n° de réf. 03.01.003.00 de Hatco) pour garantir un fonctionnement correct. Montez-en une dans la conduite d'alimentation avant le réducteur de pression et l'autre dans la conduite de sortie, aussi près que possible du réchauffeur. Elles permettront de vérifier visuellement la pression et la température de l'eau avant et après son passage dans le réchauffeur d'eau.



Jauge de température/pression

NOTA: Si un clapet anti-retour est installé et ne peut être enlevé, montez une soupape de décharge de contre-pression (n° de réf. 03.02.039.00), réglée sur 862 kPa (125 psi), sur la conduite entrante entre le réducteur de pression et l'entrée du réchauffeur. La décharge doit conduire à un siphon ouvert sur le site.

4. Montez le réducteur de pression si la pression de l'eau disponible à l'entrée du réchauffeur est supérieure à 172 kPa (25 psi).

- Réglez le réducteur de pression sur une pression d'eau de 138 kPa (20 psi).

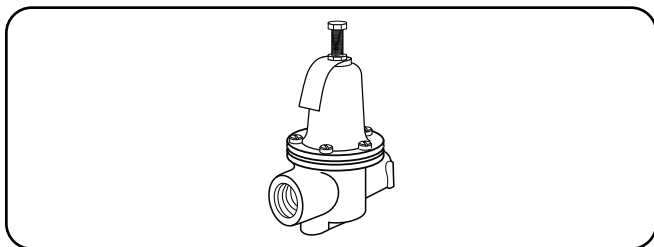
NOTA: Assurez-vous que l'eau traverse le réducteur de pression dans la bonne direction. Vérifiez à l'aide de la flèche de direction. Le réducteur de pression ne diminuera la pression que durant des conditions d'écoulement.

ATTENTION

Si la pression de l'alimentation en eau à l'entrée du réchauffeur dépasse les 138 kPa (20 psi) lors de l'écoulement, montez un réducteur de pression avec dérivation intégrée (n° de réf. 03.02.004.00 de Hatco) pour un fonctionnement approprié des buses de rinçage du lave-vaisselle.

NOTA: Le réducteur de pression doit être équipé d'une dérivation haute pression, comme celui qui est fourni par Hatco.

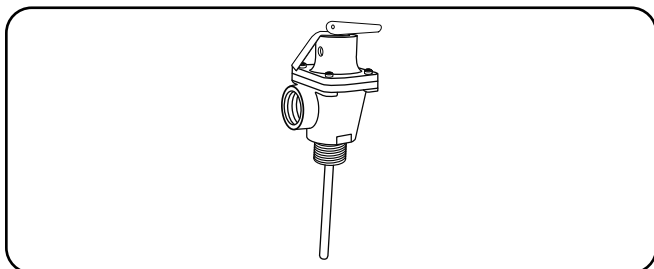
NOTA: Un réducteur de pression en laiton facultatif avec une dérivation intégrée (n° de réf. 03.02.015.00 de Hatco) est disponible.



Réducteur de pression

5. Montez la soupape de sécurité thermique/surpression. La soupape doit être suffisamment dégagée pour qu'elle puisse être inspectée, testée ou remplacée.

- Série Mini-Compact : P/N 03.02.020.00
- Séries Compact et Imperial : P/N 03.02.022.00



Soupape de sécurité thermique/surpression

AVERTISSEMENT

L'équipement de protection contre la température/pression ne doit pas être inférieur à une soupape de sécurité thermique et de surpression certifiée par un laboratoire d'essais nationalement reconnu qui effectue une inspection périodique de la production de cet équipement et remplit les exigences de la norme ANSI Z21.22-1979 concernant les soupapes de décharge et les dispositifs d'arrêt automatique pour les systèmes d'alimentation en eau chaude. La soupape de sécurité thermique/surpression doit être accompagnée d'une pression définie minimale qui ne doit pas dépasser la pression d'épreuve hydrostatique inscrite dans les caractéristiques techniques du réchauffeur.

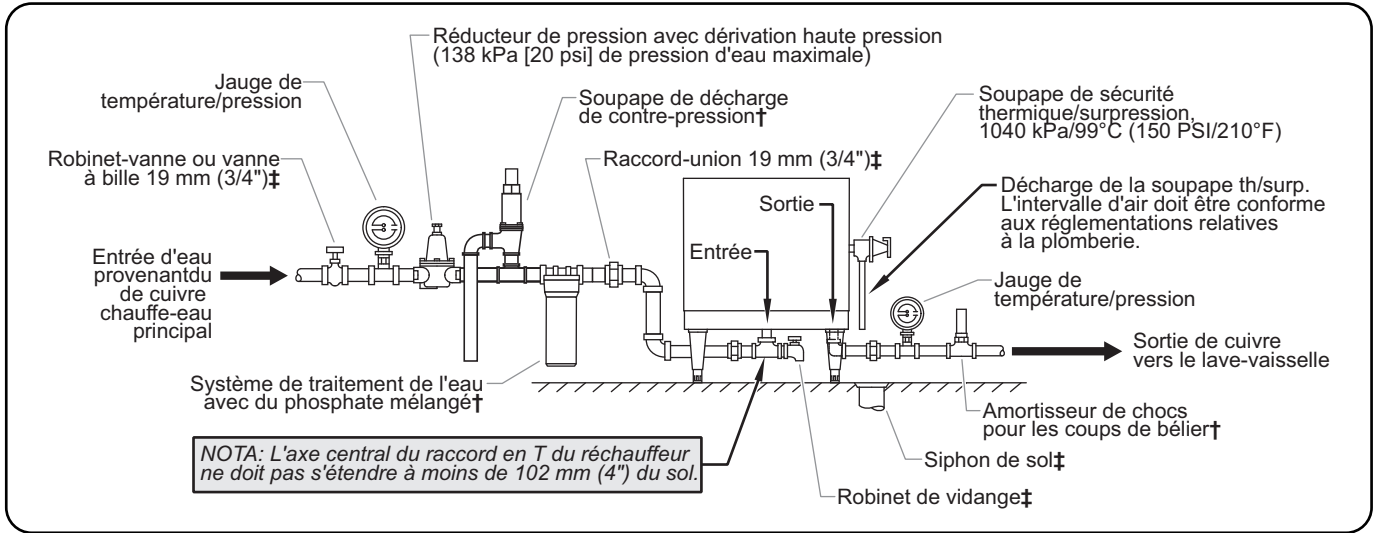
Pour l'installation des soupapes de sécurité thermique/surpression conformément à la norme nationale américaine Z21.22-1979. Des soupapes de sécurité thermique et de surpression accompagnées de thermostats d'extension doivent être installées de sorte que le capteur de température soit immergé dans l'eau au niveau des 152 mm (6") du haut du réservoir. Ils doivent être directement placés dans une ouverture du réservoir. Les soupapes de sécurité thermique et de surpression qui ne possèdent pas d'éléments d'extension doivent être montées directement dans une ouverture du réservoir située dans les 152 mm (6") du haut du réservoir. Elles doivent être correctement isolées et placées afin d'assurer une isolation par rapport aux conditions ambiantes qui ne correspondent pas à la température de l'eau stockée. **POUR ÉVITER TOUT DOMMAGE LIÉ À L'EAU OU BRÛLURE DÛ AU FONCTIONNEMENT D'UNE SOUPAPE, UN TUYAU D'ÉVACUATION DOIT ÊTRE RACCORDÉ À LA SORTIE DE LA SOUPAPE ET TRANSPORTER L'EAU JUSQU'À UN LIEU D'ÉLIMINATION SÛR.** Le tuyau d'évacuation doit être aussi court que possible et de la même taille que le raccordement de la soupape de décharge sur toute sa longueur. Le tuyau d'évacuation doit être orienté vers le bas à partir de la soupape et doit finir entre 38 mm et 152 mm (1-1/2" et 6") au-dessus du siphon de sol où toute décharge sera clairement visible. Le tuyau d'évacuation doit présenter un bout simple, non fileté, avec un matériau qui supporte les températures de 121°C (250°F) ou plus. Une longueur excessive, plus de 9,1 m (30'), ou l'utilisation de plus de quatre coudes peut provoquer une restriction et réduire la capacité de décharge de la soupape. Aucune vanne d'arrêt ne doit être montée entre la soupape de décharge et le réservoir, ou dans le tuyau d'évacuation. Le levier de la soupape doit être actionné régulièrement pour s'assurer que le passage de l'eau est dégagé. Ce dispositif est conçu pour une décharge de sécurité et d'urgence, il ne doit pas être utilisé comme une commande de fonctionnement. Les soupapes sont réglées pour une décharge à 1034 kPa (150 psi) ou lorsque la température de l'eau atteint les 99°C (210°F). Lisez l'étiquette sur la soupape pour plus d'informations.

ATTENTION

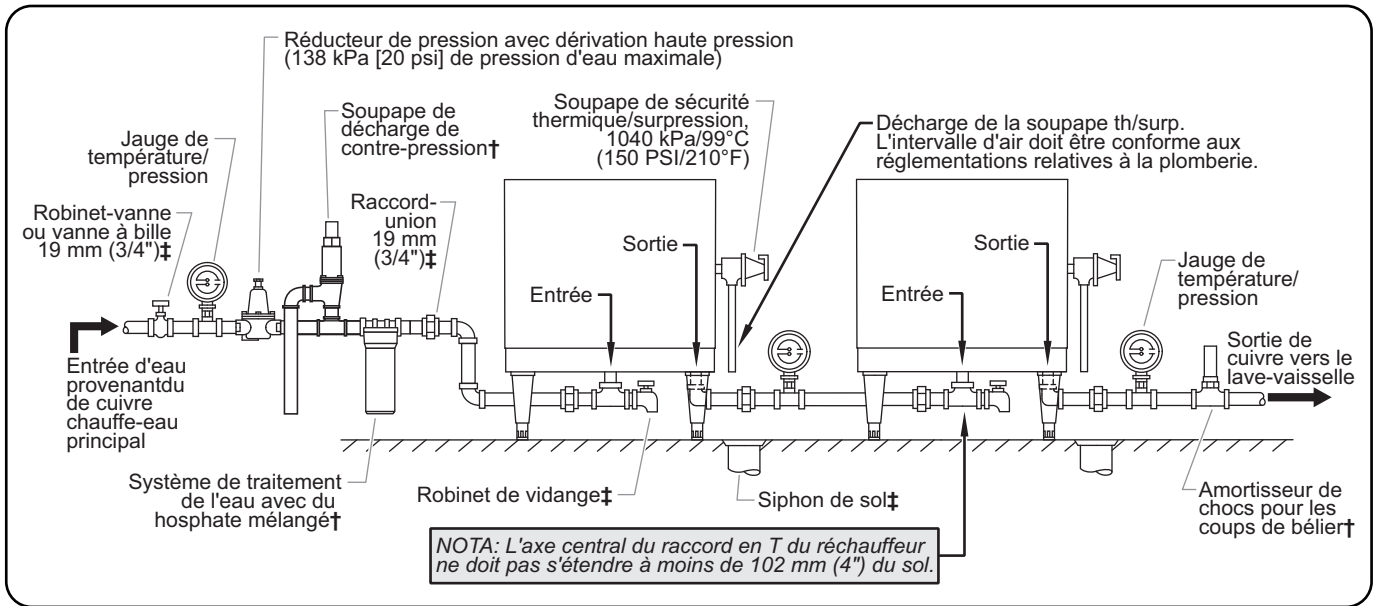
DANGER DE BRÛLURE: Les valves fournies par Hatco sont conçues pour un fonctionnement professionnel à haute température. Ne remplacez pas les valves de Hatco par des valves prévues pour des chauffe-eau domestiques.

N'utilisez pas de valves anti-siphon sur la conduite d'eau entrante.

Raccordements de plomberie



Série « S » modèles Imperial



Deux modèles Imperial raccordés en série

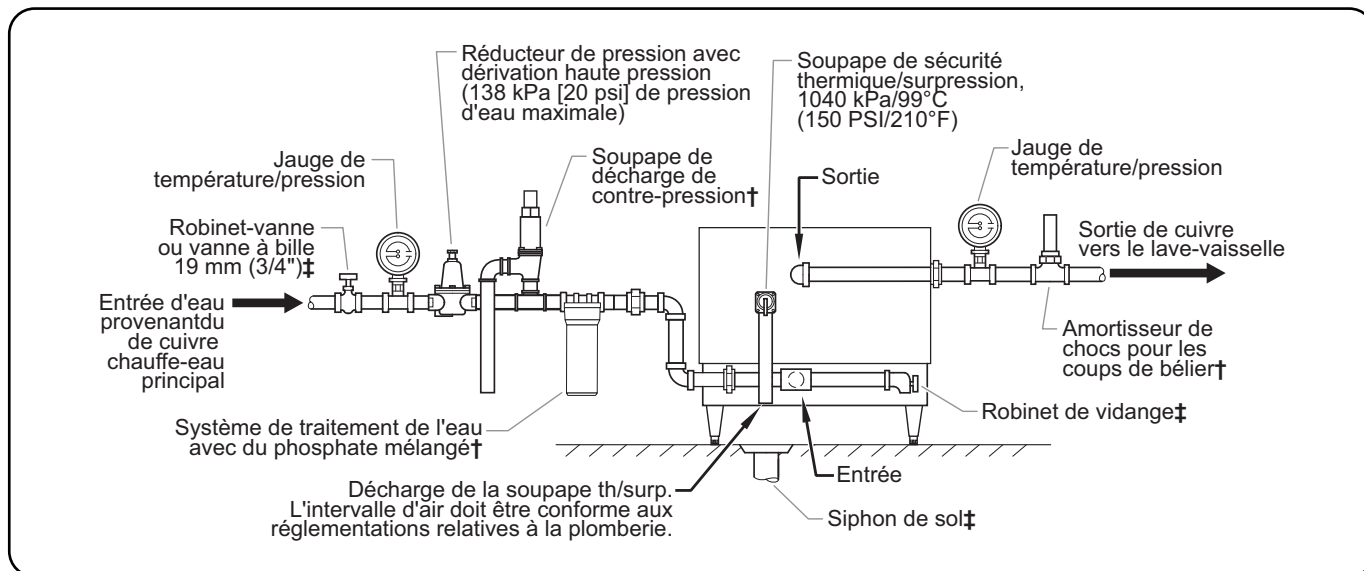
† Non fourni, mais disponible en tant qu'option/accessoire.

‡ Non fourni avec le réchauffeur.

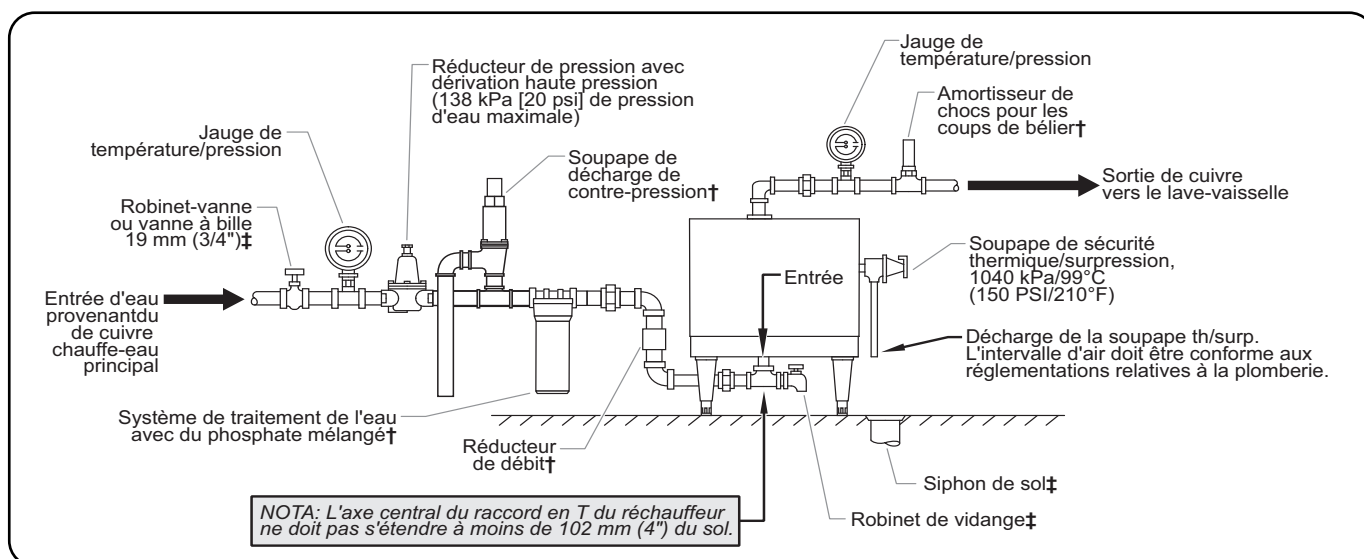
AVERTISSEMENT

Les valves, jauges et raccord-unions doivent être montés en respectant le schéma pour garantir un fonctionnement, une maintenance et une couverture de garantie corrects.

Raccordements de plomberie



Série « C » modèles Compact



Série « MC » modèles Mini-Compact

† Non fourni, mais disponible en tant qu'option/accessoire.

‡ Non fourni avec le réchauffeur.

AVERTISSEMENT

Les valves, jauges et raccord-unions doivent être montés en respectant le schéma pour garantir un fonctionnement, une maintenance et une couverture de garantie corrects.

Sortie

1. Rincez la conduite d'alimentation en eau afin d'enlever le mastic pour joints de tuyaux et les corps étrangers.
2. Raccordez la sortie d'eau du réchauffeur au tuyau de rinçage désinfectant du lave-vaisselle professionnel à l'aide d'une tuyauterie de cuivre et d'un raccord-union 1,9 cm (3/4").

AVIS

Ne tournez et n'ajustez pas le raccordement de sortie de l'eau sur tous les appareils de la série Large Compact (C-24 à C-57).

NOTA: La marque rouge sur la conduite de sortie d'eau des appareils des séries C-24 à C-57 doit rester sur le point le plus haut.

NOTA: Assurez-vous que le raccordement est effectué au dispositif de rinçage final et non pas au réservoir de lavage.

3. Montez une jauge de température/pression sur la conduite de sortie. Le capteur de température doit se trouver dans l'écoulement d'eau et la jauge doit être montée droite.
 - La température de l'eau à la sortie doit être de 85°–88°C (185°–190°F).

NOTA: Certains lave-vaisselles nécessitent le raccordement de deux réchauffeurs en série (et non pas en parallèle) pour répondre à la demande. Pour assurer un fonctionnement correct, un écart de température de 17°C (30°F) doit être maintenu entre l'entrée et le sortie du chaque réchauffeur d'eau.

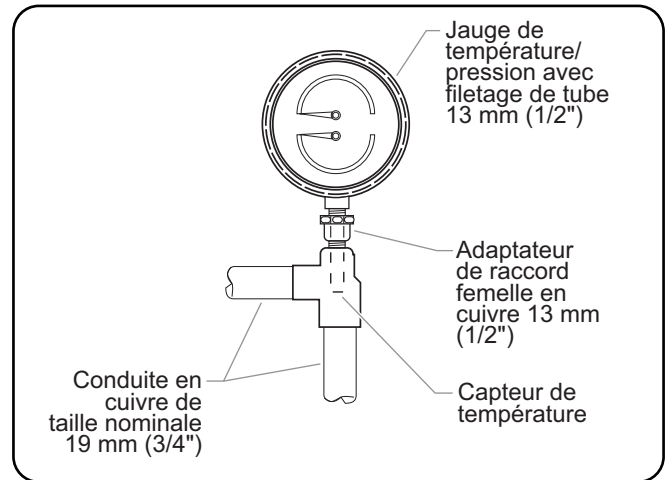
NOTA: Hatco recommande l'installation d'un amortisseur de chocs facultatif (n° de réf. 03.04.057.00) sur la conduite de sortie, aussi près que possible de l'électrovanne de rinçage du lave-vaisselle professionnel. L'amortisseur de chocs adoucit les coups de bélier provoqués par les vannes automatiques du lave-vaisselle.

Inspection de l'installation de la plomberie

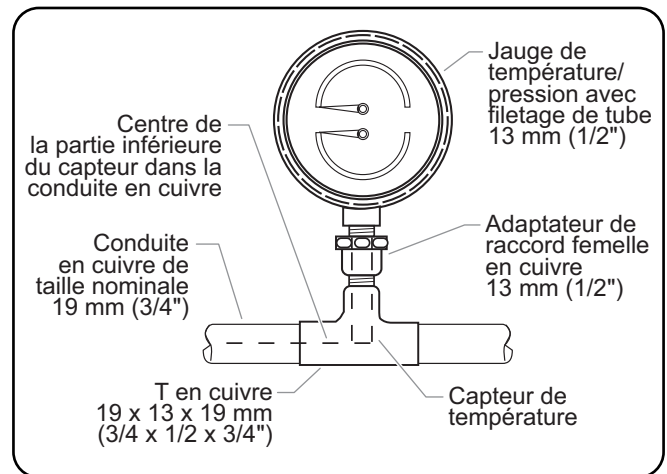
1. Fermez le robinet de vidange et remplissez le réchauffeur d'eau.
2. Vérifiez l'absence de fuite au niveau de tous les raccordements des conduites.
3. Assurez-vous que la soupape de sécurité thermique/surpression n'est pas bloquée.
4. Évacuez l'air du réservoir avant tout fonctionnement en ouvrant la soupape de sécurité thermique/surpression.

ATTENTION

Ne mettez pas le réchauffeur sous tension tant que le réservoir n'a pas été rempli d'eau et que tout l'air n'a pas été évacué par le biais des buses de rinçage du lave-vaisselle. Les éléments de chauffage grillent en quelques secondes s'ils ne fonctionnent pas en immersion dans de l'eau.



Installation recommandée de la jauge de température/pression



Installation alternative de la jauge de température/pression

AVERTISSEMENT

Hatco a toujours soutenu l'utilisation d'équipements de sécurité lors de l'utilisation d'un réchauffeur d'eau ou d'un chauffe-eau à réservoir de stockage. Les réchauffeurs de Hatco sont expédiés avec une soupape de sécurité thermique/surpression sans frais supplémentaires. Cette soupape doit être montée dans l'ouverture signalée sur le réservoir. Les valves fournies par Hatco sont conçues pour un fonctionnement professionnel à haute température. Ne remplacez pas des valves fournies par Hatco par des valves conçues pour un fonctionnement domestique.

Il est essentiel de prendre en compte que même si un réchauffeur d'eau peut être correctement installé au début et approuvé, il y a toujours la possibilité que des individus altèrent ou modifient l'installation sans le savoir de telle façon que cela occasionnerait des risques. Il est donc important que tous les programmes de sécurité comprennent des mécanismes qui garantissent que ces installations sont inspectées régulièrement.

Électrique — Toutes tailles et tensions

Général

Les réchauffeurs d'eau électriques de Hatco peuvent fonctionner avec des systèmes d'alimentation standard. Consultez l'étiquette des caractéristiques techniques pour connaître l'alimentation électrique appropriée.

Tous les raccordements électriques internes ont été effectués en usine. Consultez le tableau « Disjoncteurs et sectionneurs porte-fusibles » dans la partie CARACTÉRISTIQUES TECHNIQUES pour connaître les recommandations concernant les fusibles, les disjoncteurs, les conduits et la taille des fils d'alimentation. Consultez la réglementation locale pour vérifier la conformité.

⚠ AVERTISSEMENT

DANGER DE DÉCHARGE ÉLECTRIQUE :

- L'appareil doit être installé par des installateurs professionnels qualifiés. L'installation doit être conforme à toutes les normes électriques et de plomberie locales. Une installation par un personnel non qualifié aura pour conséquence une annulation de la garantie de l'appareil et peut entraîner une décharge électrique ou une brûlure, ainsi que des dommages pour l'appareil et/ou ses alentours. Vérifiez les procédures et les normes à suivre auprès de vos inspecteurs locaux en plomberie et en électricité.
- **COUPEZ** l'alimentation au niveau du sectionneur porte-fusibles/disjoncteur et laissez l'appareil refroidir avant d'entreprendre toute opération de nettoyage, de réglage ou de maintenance.
- Consultez un électricien agréé pour l'accomplissement d'une installation électrique appropriée conformément aux réglementations nationales (National Electrical Code) et locales relatives à l'électricité.

AVIS

Les appareils ne fonctionnent qu'à la tension spécifiée. Reportez-vous à l'étiquette des caractéristiques des exigences électriques avant de commencer l'installation. Le raccordement de l'appareil à une alimentation électrique inappropriée annulera la garantie du produit et risque d'endommager l'appareil.

Branchements électriques

1. Retirez les vis du panneau de protection avant, tirez-le vers l'avant et enlevez-le.

NOTA: Sur les modèles Imperial, un panneau d'accès articulé se trouve derrière le panneau de protection avant. Retirez la vis du bas et soulevez le panneau pour découvrir les porte-fusibles.

- Sur les modèles Mini-Compact, retirez les vis du panneau avant. Déplacez doucement le panneau vers l'avant et le haut.
- Sur les modèles Compact, le boîtier de commande se trouve derrière le panneau de protection avant articulé.

2. Localisez le bornier ou les porte-fusibles du réchauffeur dans l'appareil.

NOTA: Consultez le tableau « Disjoncteurs et sectionneurs porte-fusibles » dans la partie CARACTÉRISTIQUES TECHNIQUES pour connaître les raccordements et tailles de fil appropriés.

NOTA: Seuls les modèles à 6, 7 et 9 kW, en 208 ou 240 V, peuvent être convertis à un fonctionnement en monophasé ou triphasé sur place. Veuillez consulter le schéma de câblage pour connaître les raccordements de fil appropriés au bornier.

3. Faites passer les câbles d'alimentation provenant d'un disjoncteur ou sectionneur porte-fusibles de dimension appropriée à travers l'entrée défonçable de l'appareil. Raccordez les câbles au bornier ou aux porte-fusibles. **n'utilisez que des fils électriques en cuivre. Serrez les branchements correctement à un minimum de 4,5 N•m (40 po-lb).**

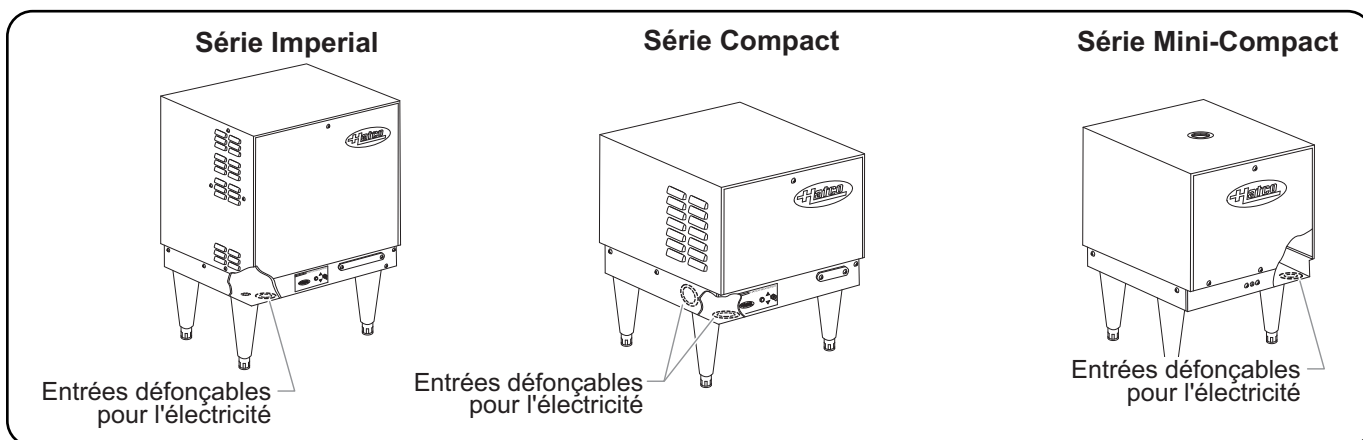
NOTA: En raison des contraintes de transport, il est nécessaire de vérifier que tous les raccordements sont bien serrés avant de mettre le réchauffeur en fonctionnement.

4. Branchez correctement un connecteur de mise à la terre d'équipement à la prise de mise à la terre (située près des bornes d'alimentation).

⚠ ATTENTION

Ne mettez pas le réchauffeur sous tension tant que le réservoir n'a pas été rempli d'eau et que tout l'air n'a pas été évacué par le biais des buses de rinçage du lave-vaisselle. Les éléments de chauffage grillent en quelques secondes s'ils ne fonctionnent pas en immersion dans de l'eau.

5. Remettez le ou les panneaux et fixez-les.



Emplacements des entrées défonçables pour l'électricité

Généralités

Suivez les procédures suivantes pour utiliser les réchauffeurs d'eau électriques de Hatco.

ATTENTION

BURN HAZARD: Water in unit is very hot. Wear protective gloves and proper attire when operating to avoid injury.

Allumage

1. Fermez le robinet de vidange.
2. Ouvrez la vanne d'arrêt sur la principale conduite d'alimentation en eau. La température de l'eau à l'entrée doit être de 46 à 63°C (115 à 145°F) et ne doit pas dépasser les 68°C (155°F).

NOTA: L'écart de température minimal entre l'entrée et la sortie ne doit jamais être inférieur à 17°C (30°F).

3. Évacuez tout l'air du réservoir par le biais des buses de rinçage du lave-vaisselle et de la soupape de sécurité thermique/surpression lorsque le réservoir est rempli d'eau.

ATTENTION

Ne mettez pas le réchauffeur sous tension tant que le réservoir n'a pas été rempli d'eau et que tout l'air n'a pas été évacué par le biais des buses de rinçage du lave-vaisselle. Les éléments de chauffage grillent en quelques secondes s'ils ne fonctionnent pas en immersion dans de l'eau.

4. Vérifiez l'absence de fuite au niveau des raccordements de plomberie.
5. Vérifiez l'ouverture de la décharge de la soupape de sécurité thermique/surpression pour vous assurer qu'elle n'est pas bloquée et qu'aucun dépôt de calcaire ou autres corps étrangers ne réduit la taille de l'ouverture.
6. Mettez le réchauffeur d'eau sous tension.
 - Pour les modèles Imperial et Compact, placez l'interrupteur d'alimentation MARCHE/ARRÊT (I/O) du panneau de commande sur la position MARCHE (I).
 - Pour les modèles Mini-Compact, mettez sous tension au niveau du disjoncteur de circuit/sectionneur porte-fusibles.

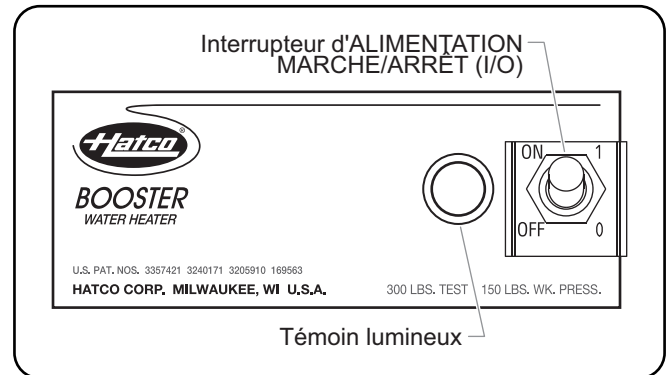
NOTA: Les modèles Mini-Compact peuvent être configurés avec un interrupteur d'alimentation MARCHE/ARRÊT (I/O) en option.

7. Lorsque le réchauffeur d'eau a disposé d'un temps de chauffage suffisant, lancez le cycle de rinçage et vérifiez les mesures de température et de pression de l'eau sur les jauges.
 - La température de l'eau au niveau de la sortie du réchauffeur doit être de 85°–88°C (185 °–190°F) et la pression de l'eau de 138 kPa (20 psi) maximum.

NOTA: Les températures de l'eau sortante peuvent être ajustées pour les applications de lave-vaisselle basse température. Consultez la partie MAINTENANCE pour connaître la procédure de réglage du thermostat.

AVERTISSEMENT

Les appareils sont équipés d'un interrupteur de fin de course haute température de sécurité qui coupe le courant lorsque l'appareil est en surchauffe. Contactez un agent de maintenance agréé par Hatco si l'interrupteur de fin de course haute température de sécurité ne peut être réinitialisé ou s'il se déclenche continuellement.



Panneau de commande (pour les modèles Compact et Imperial)

Arrêt

Lors d'une utilisation normale et régulière, Hatco recommande que l'appareil soit constamment allumé.

Si le réchauffeur ne sera pas utilisé pendant une longue période de temps ou s'il va être exposé à des conditions de gel, il doit être vidé pour éviter qu'il ne soit endommagé.

1. Placez l'interrupteur d'alimentation MARCHE/ARRÊT (I/O) sur la position ARRÊT (O) et coupez le courant au niveau du disjoncteur de circuit/sectionneur porte-fusibles.
2. Fermez la vanne d'arrêt sur la conduite d'alimentation en eau principale.
3. Ouvrez le robinet de vidange et évacuez l'eau du réservoir du réchauffeur.

AVIS

Ne videz le réchauffeur d'eau que lorsqu'il est hors tension, ou ces éléments risquent de griller.

Généralités

Les réchauffeurs d'eau électriques sont conçus pour une durée de vie et une performance maximales avec un minimum de maintenance.

AVERTISSEMENT

DANGER DE DÉCHARGE ÉLECTRIQUE :

- **COUPEZ** l'alimentation au niveau du sectionneur porte-fusibles/disjoncteur et laissez l'appareil refroidir avant d'entreprendre toute opération de nettoyage, de réglage ou de maintenance.
- La réparation de cet appareil doit être confiée exclusivement à du personnel qualifié. Les réparations par des personnes non qualifiées peuvent provoquer des décharges électriques et des brûlures.
- Pour les réparations, utiliser exclusivement des pièces de rechange Hatco d'origine. Utilisez des pièces détachées Hatco authentiques sous peine d'annuler toutes les garanties et d'exposer l'utilisateur à des tensions électriques dangereuses pouvant entraîner une électrocution ou des brûlures. Les pièces de rechange Hatco d'origine sont conçues pour fonctionner sans danger dans les environnements dans lesquels elles sont utilisées. Certaines pièces de rechange génériques ou de second marché ne présentent pas les caractéristiques leur permettant de fonctionner sans danger dans le matériel Hatco.

Cet appareil ne contient aucune pièce réparable par l'utilisateur. Si cet appareil doit être réparé, contacter un réparateur Hatco agréé ou le Service après-vente Hatco au +1 800-558-0607 ou +1 414-671-6350.

Réglage du thermostat

Le thermostat est étalonné en usine sur 85°–88°C (185°–190°F). Si un réglage ou un réétalonnage est nécessaire en raison des contraintes du transport, suivez la procédure suivante.

NOTA: Les lave-vaisselles basse température nécessitent un réglage du ou des thermostats sur 60°–66°C (140°–150°F).

1. Placez l'interrupteur d'alimentation MARCHE/ARRÊT (I/O) sur la position ARRÊT (O) et débranchez l'appareil de sa source d'alimentation.
2. Retirez le couvercle d'accès.
3. Réglez le point de consigne de température sur la température souhaitée.
 - Pour baisser le point de consigne de température, tournez la vis extérieure dans le sens antihoraire.
 - Pour augmenter le point de consigne de température, tournez la vis extérieure dans le sens horaire.

NOTA: un sixième de tour de la vis extérieure équivaut à 6,7°C (12°F).

NOTA: Si un réétalonnage est nécessaire, avec la vis extérieure au niveau de la butée supérieure, tournez la vis intérieure dans le sens horaire pour augmenter le point de consigne.

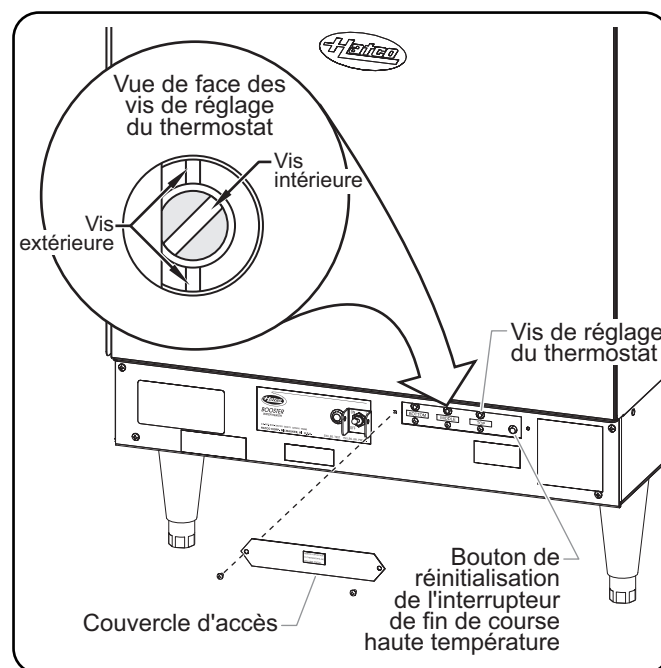
NOTA: un sixième de tour de la vis intérieure équivaut à 4,4°C (8°F).

Interrupteur de fin de course haute température de sécurité

Tous les réchauffeurs d'eau électriques de Hatco sont équipés d'un interrupteur de fin de course haute température de sécurité à réinitialisation manuelle. Si la température de l'eau dans le réchauffeur dépasse les 99°C (210°F), l'interrupteur de sécurité coupe l'alimentation. L'interrupteur peut être manuellement réinitialisé.

Si l'interrupteur de fin de course haute température de sécurité doit être réinitialisé, suivez la procédure suivante :

1. Placez l'interrupteur d'alimentation MARCHE/ARRÊT (I/O) sur la position ARRÊT (O) et débranchez l'appareil de sa source d'alimentation.
2. Retirez le couvercle d'accès.
3. Appuyez sur le bouton rouge de réinitialisation.
4. Si l'interrupteur se déclenche de nouveau, contactez un agent de maintenance agréé. N'essayez PAS de régler l'interrupteur de fin de course haute température de sécurité.



Réglage du thermostat et interrupteur de fin de course haute température de sécurité (illustration du modèle « S » Imperial)

Pieds réglables en acier inoxydable

Les pieds réglables en acier inoxydable (n° de réf. 05.30.070.00) sont disponibles en tant qu'accessoires pour tous les modèles.

Suivez la procédure suivante pour monter les pieds :

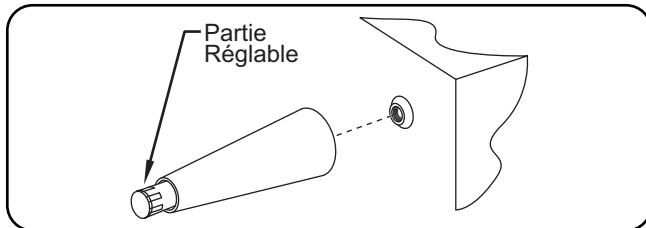
1. Couchez prudemment l'appareil sur le côté.

AVIS

Ne pas poser l'appareil sur le côté du panneau de commande sous peine de l'endommager.

2. Vissez les pieds réglables dans les orifices existants destinés aux pieds sur la partie inférieure de l'appareil.
3. Une fois que tous les pieds sont fixés, remettez l'appareil droit.

NOTA: Si l'appareil est bancal, utilisez une clé réglable pour ajuster la longueur de chaque pied jusqu'à ce que l'appareil soit à niveau. Chaque pied est réglable de 152 mm à 178 mm (6" à 7").



Pieds réglables en acier inoxydable

Pieds de montage sur le sol

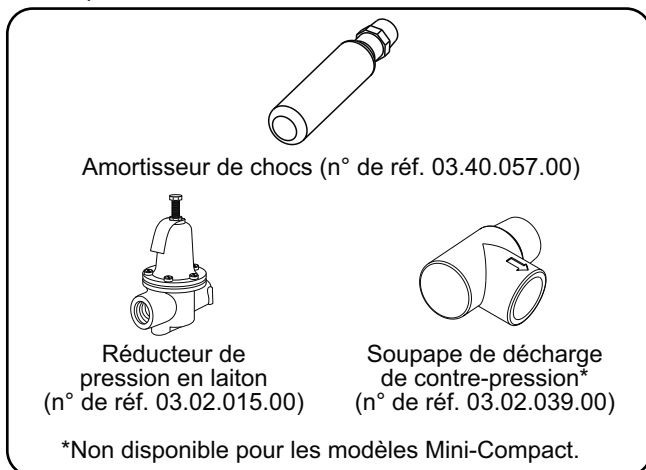
Des pieds réglables en acier inoxydable dotés de brides de montage sur plateforme qui fixent le réchauffeur sur le sol représentent une option disponible pour les modèles Compact et Imperial uniquement.

Supports de montage sur glissière

Un ensemble de supports de montage sur glissière facultatifs est disponible pour les modèles Compact uniquement. (n° de réf. R04.20.030.00)

Accessoires de plomberie

Un amortisseur de chocs, un réducteur de pression en laiton et une soupape de décharge de contre-pression sont disponibles en tant qu'accessoires.



Amortisseur de chocs (n° de réf. 03.40.057.00)

Réducteur de pression en laiton (n° de réf. 03.02.015.00)

Soupape de décharge de contre-pression* (n° de réf. 03.02.039.00)

*Non disponible pour les modèles Mini-Compact.

Accessoires de plomberie

Système de traitement de l'eau avec du phosphate mélangé

Le système de traitement de l'eau avec du phosphate mélangé (n° de réf. 03.05.061.00) distribue une petite quantité de polyphosphate dans l'eau. Le polyphosphate empêche l'accumulation de molécules minérales.

Le système de traitement de l'eau avec du phosphate mélangé, en option, est monté à l'aide de raccords-union sur la conduite entrante d'alimentation en eau 1,9 cm (3/4"0) après le réducteur de pression et avant le réchauffeur.

Remplacement d'une cartouche de phosphate (n° de réf. 03.05.061A.00)

L'usage des cartouches fournies est prévu pour 378 541 litres (100 000 gallons) d'eau. Pour assurer un fonctionnement correct, les cartouches doivent être remplacées lorsque le composé est proche du fond de la cartouche.

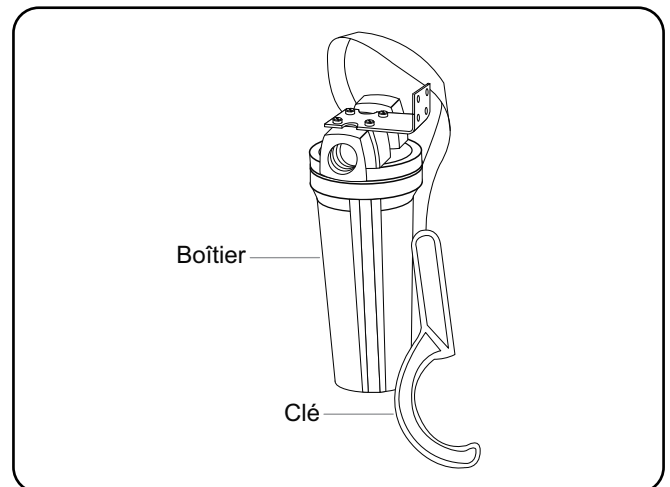
Suivez la procédure suivante pour le remplacement :

1. Placez l'interrupteur MARCHE/ARRÊT (I/O) sur la position ARRÊT (O).
2. Coupez l'alimentation en eau et ouvrez le robinet de vidange pour retirer l'eau de la tuyauterie.
3. Desserrez le boîtier à l'aide de la clé attachée.
4. Retirez le boîtier et mettez au rebut la cartouche vide.
5. À l'aide d'un chiffon propre et humide, essuyez l'intérieur du boîtier pour le nettoyer.

NOTA: Assurez-vous que le joint torique est correctement placé à l'intérieur du boîtier.

6. Effectuez l'inverse de la procédure décrite ci-dessus pour remonter une cartouche.

NOTA: Les dommages du produit causés par une accumulation de calcaire ou de sédiments ne sont pas couverts par la garantie.



Système de traitement de l'eau avec du phosphate mélangé

Corps et base en acier inoxydable

Une option de corps et base en acier inoxydable est disponible pour tous les modèles.

Option sécurité

L'option sécurité est une option installée en usine sur les modèles Compact et Imperial uniquement. L'option sécurité comprend des vis Torx® et un couvercle de commande.

IMPORTANT ! À lire avant d'utiliser le guide de dépannage

Il arrive fréquemment que lorsqu'il semble que le réchauffeur ne fonctionne pas correctement, le problème ne provienne pas du réchauffeur en lui-même mais plutôt de facteurs extérieurs à l'appareil.

AVERTISSEMENT

DANGER DE DÉCHARGE ÉLECTRIQUE :

- **COUPEZ l'alimentation au niveau du sectionneur porte-fusibles/disjoncteur et laissez l'appareil refroidir avant d'entreprendre toute opération de nettoyage, de réglage ou de maintenance.**
- **La réparation de cet appareil doit être confiée exclusivement à du personnel qualifié. Les réparations par des personnes non qualifiées peuvent provoquer des décharges électriques et des brûlures.**

Avant de lire le « Guide de dépannage » pour diagnostiquer un problème, vérifiez TOUS les facteurs extérieurs suivants.

Température de l'eau

- Vérifiez la température de l'eau qui arrive dans le réservoir du réchauffeur. Elle doit être située entre 46 et 63°C (115 et 145°F), en fonction de la capacité de chauffage de l'appareil. L'alimentation en eau doit se faire en quantité suffisante pour un maintien de sa température tout le long du fonctionnement du lave-vaisselle.
- Si le réservoir de lavage du lave-vaisselle est rempli par le réchauffeur, il va récupérer l'ensemble de l'eau à 82°C (180°F) stockée. Il est nécessaire de laisser un temps suffisant pour le réchauffage de l'eau stockée avant de démarrer le lave-vaisselle.
- La température du chauffe-eau principal ne doit pas dépasser les 68°C (155°F).

AVERTISSEMENT

La réparation de cet appareil doit être confiée exclusivement à du personnel qualifié. Les réparations par des personnes non qualifiées peuvent provoquer des décharges électriques et des brûlures.

Pression de l'eau

- La pression de l'eau au niveau de l'entrée du réchauffeur doit être adaptée à un fonctionnement correct du cycle de rinçage du lave-vaisselle. Elle ne doit pas dépasser les 138 kPa (20 psi). Consultez le fabricant du lave-vaisselle pour des détails plus spécifiques.
- Si l'eau entrante dépasse les 138 kPa (20 psi), un réducteur de pression doit être installé.

Branchements électriques

- La tension du réchauffeur doit correspondre à la tension disponible. Consultez l'étiquette des caractéristiques techniques sur le réchauffeur pour connaître toutes les informations.
- Les disjoncteurs ou fusibles DOIVENT être de dimension appropriée.

Raccordements de plomberie

- La soupape de sécurité thermique/surpression doit être correctement installée et doit être fournie par Hatco.
- Un clapet anti-retour ne doit pas être monté en amont du réchauffeur.

NOTA: Si un clapet anti-retour est installé et ne peut être enlevé, montez une soupape de décharge de contre-pression (n° de réf. 03.02.039.00), réglée sur 862 kPa (125 psi), sur la conduite entrante entre le réducteur de pression et l'entrée du réchauffeur. La décharge doit conduire à un siphon ouvert sur le site.

Si l'appareil ne fonctionne pas correctement après l'accomplissement de ces vérifications, passez au « Guide de dépannage » de cette partie.

AVERTISSEMENT

Danger de décharge électrique: Mettre hors tension en utilisant l'interrupteur, débranchez le cordon d'alimentation et laissez l'unité refroidir avant d'effectuer tout nettoyage, tout réglage ou tout entretien.

Symptômes	Causes Probables	Action Correctrice
L'eau atteint les 82°C (180°F) mais ne conserve pas cette température tout le long du fonctionnement du lave-vaisselle.	Faible température de l'eau entrante.	La température de l'eau entrante doit être adaptée à la taille du réchauffeur. Augmentez la température de l'eau entrante.
	La température de l'eau entrante baisse.	L'alimentation principale en eau n'est pas appropriée pour la fourniture de la bonne température en quantité suffisante. Augmentez l'alimentation principale en eau chaude.
	La pression de l'eau est trop élevée.	Une pression élevée utilise une quantité excessive d'eau chaude. Réglez la pression de l'eau sur 138 kPa (20 psi).
	Le réchauffeur est peut-être trop petit.	Le réchauffeur doit être correctement dimensionné pour la température de l'eau entrante et les exigences en matière de rinçage du lave-vaisselle.
	Tension incorrecte.	Vérifiez la tension indiquée sur la plaque du numéro de série du réchauffeur et assurez-vous que la tension fournie correspond. Un réchauffeur de 240 V qui fonctionne à 208 V voit sa puissance réduite à 76 % d'efficacité.

⚠ AVERTISSEMENT

La réparation de cet appareil doit être confiée exclusivement à du personnel qualifié. Les réparations par des personnes non qualifiées peuvent provoquer des décharges électriques et des brûlures.

⚠ AVERTISSEMENT

Danger de décharge électrique: Mettre hors tension en utilisant l'interrupteur, débranchez le cordon d'alimentation et laissez l'unité refroidir avant d'effectuer tout nettoyage, tout réglage ou tout entretien.

Symptômes	Causes Probables	Action Correctrice
Le réchauffeur ne chauffe pas du tout ou ne fournit que de l'eau à 49–66°C (120–150°F).	L'appareil a peut-être été mis sous tension sans eau (brûlure à sec) et le ou les éléments chauffants auraient alors grillé rapidement.	Remplacez le(s) élément(s) de chauffage.
	Les fusibles ont peut être fondu ou le disjoncteur de circuit s'est déclenché.	Vérifiez que les fusibles sont correctement dimensionnés. Remplacez les fusibles. Vérifiez/réenclenchez le disjoncteur de circuit.
	Les fusibles de protection contre la surintensité ont peut être fondu.	Cherchez la présence d'éléments court-circuités, de porte-fusible défectueux ou de court-circuit dans le câblage.
	Le réglage de la température ne correspond pas à l'étalonnage ou est inopérable.	Le réglage de la température doit être au maximum de 88°C (190°F).
	Les contacteurs ne s'actionnent pas.	Testez la tension au niveau des bobines. Si les bobines sont ouvertes ou court-circuitées, remplacez les contacteurs.
	L'interrupteur de fin de course haute température est peut-être actionné ou défectueux.	Réinitialisez l'interrupteur, voir « Interrupteur de fin de course haute température de sécurité » dans la partie MAINTENANCE. Si l'interrupteur continue de se déclencher ou ne peut pas être réinitialisé, contactez un agent de maintenance agréé.
	Le transformateur ne fonctionne pas correctement.	Vérifiez la tension secondaire, elle doit être identique à la tension du circuit de commande. Dans le cas contraire, remplacez le transformateur.
	L'interrupteur de faible niveau d'eau est inopérant, les contacts ne se ferment pas.	Retirez le fil de la sonde et mettez-le en contact avec le réservoir. Si les contacts se ferment, la sonde est encrassée et doit être nettoyée ou remplacée. Le relais du circuit de commande est peut-être défectueux. Mettez un cavalier entre les bornes 6 et 7. Si l'appareil se met sous tension, le circuit de commande est défectueux et doit être remplacé.
L'eau au niveau du lave-vaisselle n'est pas à la bonne température.	Le ou les jauges ne fonctionnent pas correctement.	Vérifiez la température de l'eau avec un thermomètre pour vous assurer que les jauges fonctionnent correctement. Dans le cas contraire, remplacez le(s) jauge(s).
	Le réglage du thermostat est trop bas.	Réglez-le ou réétalonnez-le, voir « Réglage du thermostat » dans la partie MAINTENANCE. Si le thermostat ne se réétalonne pas correctement, remplacez-le.
	La conduite d'eau entre le réchauffeur et le lave-vaisselle est longue de plus de 1524 mm (5') linéaires, ce qui provoque un refroidissement de l'eau à l'intérieur de la conduite.	Si la distance est de plus de 1524 mm (5') linéaires, les conduites doivent être entourées d'isolation et/ou un système de recirculation doit être installé.

Symptômes	Causes Probables	Action Correctrice
La soupape de décharge laisse passer des gouttes.	Aucun réducteur de pression n'est installé ou une valve inappropriée a été montée, ce qui provoque une accumulation de pression à l'intérieur du réservoir du réchauffeur.	Un réducteur de pression doté d'une dérivation haute pression doit être installé dans la conduite d'eau entrante pour permettre à l'eau de se dilater dans la conduite d'alimentation.
	La dérivation dans le réducteur de pression est peut-être bloquée.	Nettoyez la dérivation ou remplacez le réducteur par un nouveau avec une dérivation intégrée.
	Clapet anti-retour ou valve anti-siphon installé dans la conduite d'alimentation.	Retirez le clapet anti-retour ou la valve anti-siphon pour permettre une expansion de l'eau ou montez une soupape de décharge de contre-pression (n° de réf. 03.02.039.00) sur la conduite d'eau entrante.
La soupape de décharge s'ouvre.	L'appareil surchauffe.	Le réglage du thermostat est peut être trop élevé ou le thermostat est bloqué. Réévaluez ou remplacez le thermostat.
	Le contacteur est peut-être bloqué en position fermée, ce qui empêche l'appareil de se mettre au repos.	Remplacez le(s) contacteur(s).
L'interrupteur de fin de course haute température de sécurité se déclenche.	L'interrupteur de fin de course haute température de sécurité est défectueux.	Si le réchauffeur ne surchauffe pas, remplacez l'interrupteur de fin de course haute température de sécurité.
	Le réglage du thermostat est trop élevé.	Réglez-le ou réévaluez-le, voir « Réglage du thermostat » dans la partie MAINTENANCE.
	La température de l'eau entrante est trop élevée et provoque un déclenchement ennuyeux de l'interrupteur de fin de course haute température.	La température de l'eau entrante ne doit pas être supérieure à 71°C (160°F).
Broutement du contacteur ou de la carte du circuit imprimé de l'interrupteur de faible niveau d'eau.	Les branchements sont desserrés ou le branchement des fils présente de l'isolation sous le sertissage.	Serrez tous les raccordements et vérifiez les sertissures.
	Faible tension.	Vérifiez la tension du circuit de commande ou la tension secondaire avec le transformateur.
	La sonde est peut-être encrassée.	Contournez la sonde en retirant le fil de sonde de l'interrupteur de faible niveau d'eau et en le reliant à la terre par un contact contre le réservoir. Nettoyez ou remplacez la sonde si le broutement cesse.
	Le ou les contacteurs sont peut-être défectueux.	Testez les bobines du contacteur et remplacez si nécessaire.
Un ou des éléments de chauffage sont grillés.	Le réservoir a été vidé par inadvertance, en laissant le(s) élément(s) de chauffage à sec.	Remplacez le(s) élément(s) de chauffage et assurez-vous que le réservoir est constamment rempli d'eau. Vérifiez que le système de coupure en cas de faible niveau d'eau fonctionne correctement.
	L'accumulation de calcaire dans le réservoir a provoqué une fissure et une brûlure du ou des éléments de chauffage.	Remplacez le(s) élément(s) de chauffage et nettoyez ou enlevez le calcaire régulièrement dans le réservoir. Un adoucisseur d'eau ou un système de traitement avec du phosphate mélangé peut être nécessaire.

Vous avez des questions en ce qui concerne les pannes ?

Si le problème persiste, veuillez contacter l'agence d'entretien agréée Hatco la plus proche ou Hatco pour obtenir une assistance. Pour trouver l'agence d'entretien la plus proche, rendez-vous sur le site Internet de Hatco (www.hatcocorp.com) et cliquez sur Trouver un agent d'entretien, ou contactez l'équipe d'entretien et de pièces détachées de Hatco :

Numéro de

téléphone: 800-558-0607 ou 414-671-6350

Courriel: partsandservice@hatcocorp.com

GARANTIE LIMITÉE**1. GARANTIE DU PRODUIT**

Hatco garantit que les produits qu'il fabrique (les « Produits ») sont exempts de défauts de matériel et de fabrication, dans des conditions normales d'utilisation et de maintenance, pour une période d'un (1) an à partir de la date d'achat à condition que l'appareil soit installé et entretenu conformément aux instructions écrites de Hatco ou 18 mois après la date de l'expédition par Hatco. L'acheteur doit prouver la date d'achat du Produit par l'enregistrement du produit auprès de Hatco ou par d'autres moyens satisfaisants pour Hatco, à sa seule discrétion.

Hatco garantit que les composants du Produit suivants sont exempts de défauts de matériel et de fabrication à partir de la date d'achat (sous réserve des conditions précédentes) pour la ou les périodes de temps et en fonction des conditions listées ci-dessous :

a) Garantie d'un (1) an pour les pièces et la main-d'œuvre PLUS un an (1) supplémentaire pour les pièces uniquement :

Éléments du grille-pain à convoyeur (enveloppe métallique)

Éléments des tiroirs chauffants (enveloppe métallique)

Tiroirs, roues et glissières des tiroirs chauffants

Éléments des rampes chauffantes (enveloppe métallique)

Éléments des vitrines chauffantes

(enveloppe métallique, air chauffant)

Éléments des armoires de stockage

(enveloppe métallique, air chauffant)

Éléments des compartiments chauffants —

série HW et HWB (enveloppe métallique)

b) Garantie d'un (1) an pour les pièces et la main-d'œuvre PLUS quatre (4) ans pour les pièces uniquement :

Cuves 3CS et FR

c) Garantie d'un (1) an pour les pièces et la main-d'œuvre PLUS neuf (9) ans pour les pièces uniquement :

Cuves des appareils de chauffage d'appoint électriques

Cuves des appareils de chauffage d'appoint à gaz

d) Garantie de quatre-vingt-dix (90) jours pour les pièces uniquement :

Pièces de rechange

LES GARANTIES PRÉCÉDENTES SONT EXCLUSIVES ET REMPLACENT TOUTES AUTRES GARANTIES, EXPRESSES OU IMPLICITES, COMPRENANT, MAIS NE SE LIMITANT PAS À, TOUTES GARANTIES IMPLICITES DE QUALITÉ MARCHANDE OU DE FINALITÉ PARTICULIÈRE OU TOUS BREVETS OU TOUTES AUTRES ATTEINTES AUX DROITS DE LA PROPRIÉTÉ INTELLECTUELLE. Sans restreindre la portée générale des énoncés précédents, CES GARANTIES NE COUVRENT PAS : Ampoules d'éclairage à incandescence enduites, lumières fluorescentes, ampoules de lampes chauffantes, ampoules d'éclairage à halogène enduites, ampoules de lampes chauffantes au xénon, tubes d'éclairage DEL, composants en verre et fusibles ; défaut de produit dans la cuve d'un appareil de chauffage d'appoint, dans un échangeur de chaleur à tubes à ailettes ou tout autre équipement de chauffage d'eau causé par la calcification, l'accumulation de sédiments, la réaction d'un produit chimique ou le gel ; ou une mauvaise utilisation, une manipulation ou une mauvaise application, une installation inappropriée du Produit ou l'utilisation d'une tension inappropriée.

2. LIMITES DES RECOURS ET DES DOMMAGES

La responsabilité de Hatco et la seule voie de recours de l'Acheteur prévues par les présentes seront limitées exclusivement, au gré de Hatco, à la réparation ou au remplacement à l'aide de pièces ou de Produits nouveaux ou remis à neuf par Hatco ou un centre de réparation agréé par Hatco (sauf si l'Acheteur se situe hors des États-Unis, du Canada, du Royaume-Uni ou de l'Australie, auquel cas la responsabilité de Hatco et la seule voie de recours de l'Acheteur seront limitées exclusivement au remplacement des pièces concernées par la garantie) à l'égard de toute revendication effectuée dans les délais de garantie mentionnés ci-dessus. Hatco se réserve le droit d'accepter ou de rejeter toute réclamation en partie ou dans son intégralité. Dans le cadre de cette Garantie limitée, « remis à neuf » signifie une pièce ou un Produit dont les caractéristiques techniques d'origine ont été restaurées par Hatco ou un centre de réparation agréé par Hatco. Hatco n'acceptera aucun retour de Produits sans qu'il n'ait auparavant donné son accord écrit, et tous ces retours approuvés doivent être effectués aux seuls frais de l'Acheteur. HATCO NE SERA PAS TENU RESPONSABLE, DANS AUCUNE CIRCONSTANCE, DES DOMMAGES CONSÉCUTIFS OU INDIRECTS, COMPRENANT, MAIS NE SE LIMITANT PAS À, LES COÛTS DE MAIN-D'ŒUVRE OU PERTES DE PROFITS DUS À UNE UTILISATION OU À UNE IMPOSSIBILITÉ D'UTILISER LES PRODUITS OU DUS AU FAIT QUE LES PRODUITS ONT ÉTÉ INTÉGRÉS DANS OU QU'ILS SONT DEVENUS UN COMPOSANT DE TOUT AUTRE PRODUIT OU BIEN.

AUTHORIZED PARTS DISTRIBUTORS • DISTRIBUTEURS DE PIÈCES AUTORISÉS

ALABAMA

Jones McLeod Appl. Svc.
Birmingham 205-251-0159

ARIZONA

Service Solutions Group
Phoenix 602-234-2443

Byassee Equipment Co.
Phoenix 602-252-0402

CALIFORNIA

Industrial Electric
Commercial Parts & Service, Inc.
Huntington Beach 714-379-7100

Chapman Appl. Service
San Diego 619-298-7106

P & D Appliance
Commercial Parts & Service, Inc.
S. San Francisco 650-635-1900

COLORADO

Hawkins Commercial Appliance
Englewood 303-781-5548

FLORIDA

Whaley Foodservice Repair
Jacksonville 904-725-7800

Whaley Foodservice Repair
Orlando 407-757-0851

B.G.S.I.
Pompano Beach 954-971-0456

Comm. Appliance Service
Tampa 813-663-0313

GEORGIA

TWC Services
Mableton 770-438-9797

Heritage Service Group
Norcross 866-388-9837

Southeastern Rest. Svc.
Norcross 770-446-6177

HAWAII

Burney's Comm. Service, Inc.
Honolulu 808-848-1466

Food Equip Parts & Service
Honolulu 808-847-4871

ILLINOIS

Parts Town
Lombard 708-865-7278

Eichenauer Elec. Service
Decatur 217-429-4229

Midwest Elec. Appl. Service
Elmhurst 630-279-8000

Cone's Repair Service
Moline 309-797-5323

INDIANA

GCS Service
Indianapolis 800-727-8710

IOWA

Goodwin Tucker Group
Des Moines 515-262-9308

KENTUCKY

Service Solutions Group
Lexington 859-254-8854

Service Solutions Group
Louisville 502-451-5411

LOUISIANA

Chandlers Parts & Service
Baton Rouge 225-272-6620

MARYLAND

Electric Motor Service
Baltimore 410-467-8080

GCS Service
Silver Spring 301-585-7550

MASSACHUSETTS

Ace Service Co., Inc.
Needham 781-449-4220

MICHIGAN

Bildons Appliance Service
Detroit 248-478-3320

Commercial Kitchen Service
Bay City 989-893-4561

Midwest Food Equip. Service
Grandville 616-261-2000

MINNESOTA

GCS Service
Minnetonka 800-822-2303
x20365

MISSOURI

General Parts
Kansas City 816-421-5400

Commercial Kitchen Services
St. Louis 314-890-0700

Kaemmerlen Parts & Service
St. Louis 314-535-2222

NEBRASKA

Anderson Electric
Omaha 402-341-1414

NEVADA

Burney's Commercial
Las Vegas 702-736-0006

Hi. Tech Commercial Service
N. Las Vegas 702-649-4616

NEW JERSEY

Jay Hill Repair
Fairfield 973-575-9145

Service Plus
Flanders 973-691-6300

NEW YORK

Acme American Repairs, Inc.
Jamaica 718-456-6544

Alpro Service Co.
Maspeth 718-386-2515

Appliance Installation
Buffalo 716-884-7425

Duffy's Equipment Services, Inc.
Buffalo 800-836-1014

3Wire Northern
Plattsburgh 800-634-5005

Duffy's Equipment Services, Inc.
Sauquoit 800-836-1014

J.B. Brady, Inc.
Syracuse 315-422-9271

NORTH CAROLINA

Authorized Appliance
Charlotte 704-377-4501

OHIO

Akron/Canton Comm. Svc. Inc.
Akron 330-753-6634

Service Solutions Group
Cincinnati 513-772-6600

Commercial Parts and Service
Columbus 614-221-0057

Electrical Appl. Repair Service
Brooklyn Heights 216-459-8700

E. A. Wichman Co.
Toledo 419-385-9121

OKLAHOMA

Hagar Rest. Service, Inc.
Oklahoma City 405-235-2184

Krueger, Inc.
Oklahoma City 405-528-8883

OREGON

Ron's Service, Inc.
Portland 503-624-0890

PENNSYLVANIA

Elmer Schultz Services
Philadelphia 215-627-5401

FAST Comm. Appl. Service
Philadelphia 215-288-4800

Appliance Installation & Service
Pittsburgh 412-809-0244

K & D Service Co.
Harrisburg 717-236-9039

Electric Repair Co.
Reading 610-376-5444

RHODE ISLAND

Marshall Electric Co.
Providence 401-331-1163

SOUTH CAROLINA

Whaley Foodservice Repair
Lexington 803-996-9900

TENNESSEE

Camp Electric
Memphis 901-527-7543

TEXAS

GCS Service
Fort Worth 800-433-1804

Armstrong Repair Service
Houston 713-666-7100

Cooking Equipment Specialist
Mesquite 972-686-6666

Commercial Kitchen Repair Co.
San Antonio 210-735-2811

UTAH

La Monica's Rest. Equip. Service
Murray 801-263-3221

VIRGINIA

Daubers
Norfolk 757-855-4097

Daubers
Springfield 703-866-3600

WASHINGTON

3Wire Restaurant Appliance
Seattle 800-207-3146

WISCONSIN

A.S.C., Inc.
Madison 608-246-3160

A.S.C., Inc.
Milwaukee 414-543-6460

CANADA

ALBERTA

Key Food Equipment Service
Edmonton 780-438-1690

BRITISH COLUMBIA

Key Food Equipment Service
Vancouver 604-433-4484

Key Food Equipment Service
Victoria 250-920-4888

MANITOBA

Air Rite, Inc.
Winnipeg 204-895-2300

NEW BRUNSWICK

EMR Services, Ltd.
Moncton 506-855-4228

ONTARIO

R.G. Henderson Ltd.
Toronto 416-422-5580

Choquette - CKS, Inc.
Ottawa 613-739-8458

QUÉBEC

Choquette - CKS, Inc.
Montreal 514-722-2000

Choquette - CKS, Inc.
Québec City 418-681-3944

UNITED KINGDOM

Marren Group
Northants +44(0)1933 665313

HATCO CORPORATION

P.O. Box 340500

Milwaukee, WI 53234-0500 U.S.A.

800-558-0607 414-671-6350

partsandservice@hatcocorp.com

www.hatcocorp.com

Register your unit online!

See IMPORTANT OWNER INFORMATION
section for details.

S'inscrire en ligne!

Lisez la section INFORMATIONS IMPORTANTES
POUR LE PROPRIÉTAIRE pour plus de informations.