



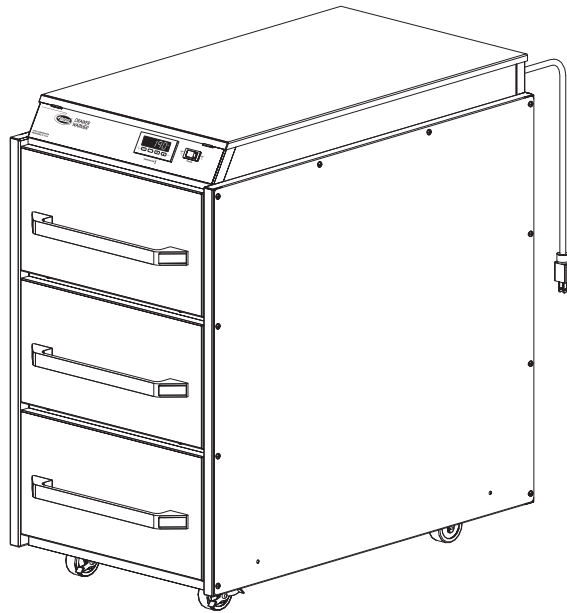
# Convected Drawer Warmer

*CDW Series*

---

CDW-3N

---



## REPLACEMENT PARTS LIST

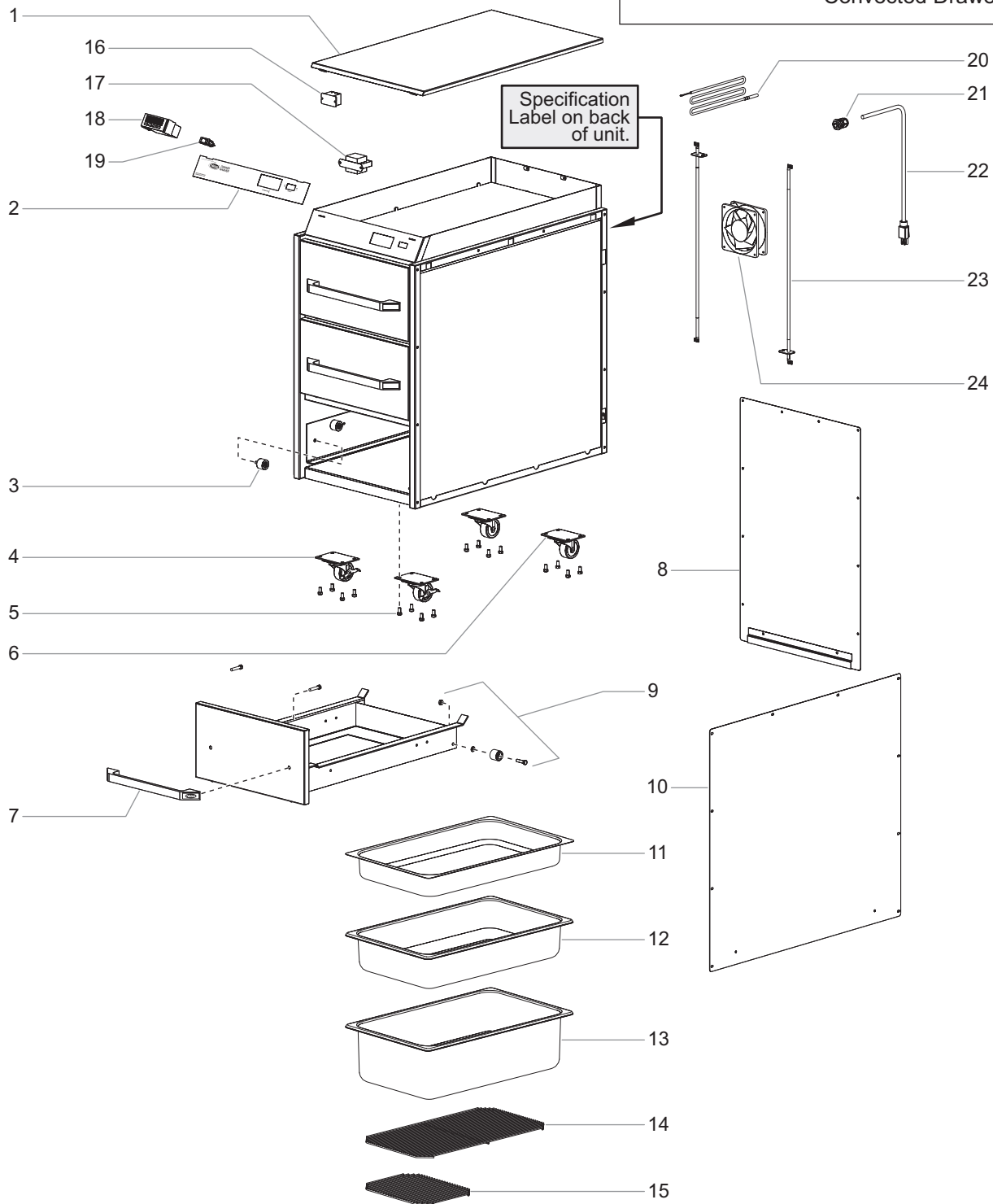
# HATCO CONVECTED DRAWER WARMER

## CDW Series

**Model Designation**

**C D W - X N**

- Narrow Width Unit
- Quantity of Drawers
- Convected Drawer Warmer



24 Hour 7 Day Parts and Service Assistance available in the United States and Canada by calling (800) 558-0607.



Use of replacement parts other than those supplied by Hatco Corporation may result in damage to the unit or injury to personnel and will void all warranties.



## PARTS COMMON TO ALL CDW-3N MODELS

Item	Description	Part No.	Qty.	Item	Description	Part No.	Qty.
1	Hood/Top Cover Black	04.16.929.01	1	10	Side Panel	04.16.925.00	2
2	Decal, Control Panel	07.01.317.00	1	11	Pan, Full Size, 2-1/2" Deep	04.09.205.00	3
3	Drawer Roller, Core	04.16.638.00	12	12	Pan, Full Size, 4" Deep	04.09.206.00	3
4	Caster, 2" with Brake	04.16.645.00	2	13	Pan, Full Size, 6" Deep	04.09.230.00	3
5	Bolt, Caster Mount	05.04.201.00	16	14	Trivet, Full Size Stainless Steel	04.09.229.00	1-3
6	Caster, 2" without Brake	04.16.635.00	2		Chrome	04.09.200.00	1-3
7	Drawer Handle Assembly	R04.16.533.00	3	15	Trivet, Half Size Stainless Steel	04.09.224.00	1-6
8	Rear Panel	04.16.926.00	1		Chrome	04.09.208.00	1-6
9	Drawer Roller, Drawer	R04.16.500.00	6				

NOTE: The last four digits in a ten digit numerical serial number are the manufacturing date code.

Example: Serial number 9625060751 has a date code of "0751" which indicates the following: 0751

└─ Week Fifty-One  
└─ Year 2007

## PARTS SPECIFIC TO MODEL CDW-3N

Item	Description	100 V	120 V	220-230 V (CE)	230-240 V (CE)
16	Control Relay	---	R02.01.050.00	---	---
17	Transformer, 24 V	---	02.17.022.00	---	---
18	Temperature Controller	---	02.01.259B.00	---	---
19	On/Off Switch	---	02.19.080.00	---	---
20	Temperature Probe	---	02.01.261.00	---	---
21	Cord Grip	---	02.20.331.00	---	---
22	Cord and Plug	---	02.18.035.00	---	---
23	Heating Element, 500 W (Qty. 2)	---	R02.08.101D.00	---	---
24	Blower Motor	---	02.12.105.00	---	---
	Electrical Drawing	---	10-01-688	---	---

The shaded areas contain information for **international models only**.

# HATCO AUTHORIZED PARTS DISTRIBUTORS

## ALABAMA

Jones McLeod Appl. Svc.  
Birmingham 205-251-0159

## ARIZONA

Service Solutions Group  
Phoenix 602-234-2443

Byassee Equipment Co.  
Phoenix 602-252-0402

## CALIFORNIA

Industrial Electric  
Commercial Parts & Service, Inc.  
Huntington Beach 714-379-7100

Chapman Appl. Service  
San Diego 619-298-7106

P & D Appliance  
Commercial Parts & Service, Inc.  
S. San Francisco 650-635-1900

## COLORADO

Hawkins Commercial Appliance  
Englewood 303-781-5548

## FLORIDA

Whaley Foodservice Repair  
Jacksonville 904-725-7800

Nass Service Co., Inc.  
Orlando 407-425-2681

B.G.S.I.  
Pompano Beach 954-971-0456

Comm. Appliance Service  
Tampa 813-663-0313

## GEORGIA

TWC Services  
Smyrna 770-438-9797

Heritage Service Group  
Norcross 866-388-9837

Southeastern Rest. Svc.  
Norcross 770-446-6177

## HAWAII

Burney's Comm. Service, Inc.  
Honolulu 808-848-1466

Food Equip Parts & Service  
Honolulu 808-847-4871

## ILLINOIS

Parts Town  
Lombard 708-865-7278

Eichenauer Elec. Service  
Decatur 217-429-4229

Midwest Elec. Appl. Service  
Elmhurst 630-279-8000

Cone's Repair Service  
Moline 309-797-5323

## INDIANA

GCS Service  
Indianapolis 317-545-9655

## IOWA

Electric Motor Service Co.  
Davenport 319-323-1823

Goodwin Tucker Group  
Des Moines 515-262-9308

## KENTUCKY

Service Solutions Group  
Lexington 859-254-8854

Service Solutions Group  
Louisville 502-451-5411

## LOUISIANA

Chandlers Parts & Service  
Baton Rouge 225-272-6620

## MARYLAND

Electric Motor Service  
Baltimore 410-467-8080

GCS Service  
Silver Spring 301-585-7550

## MASSACHUSETTS

Ace Service Co., Inc.  
Needham 781-449-4220

## MICHIGAN

Bildons Appliance Service  
Detroit 248-478-3320

Commercial Kitchen Service  
Bay City 517-893-4561

Midwest Food Equip. Service  
Grandville 616-261-2000

## MINNESOTA

GCS Service  
Plymouth 800-345-4221

## MISSOURI

General Parts  
Kansas City 816-421-5400

Commercial Kitchen Services  
St. Louis 314-890-0700

Kaemmerlen Parts & Service  
St. Louis 314-535-2222

## NEBRASKA

Anderson Electric  
Omaha 402-341-1414

## NEVADA

Burney's Commercial  
Las Vegas 702-736-0006

Hi. Tech Commercial Service  
N. Las Vegas 702-649-4616

## NEW JERSEY

Jay Hill Repair  
Fairfield 973-575-9145

Service Plus  
Flanders 973-691-6300

## NEW YORK

Acme American Repairs, Inc.  
Brooklyn 718-456-6544

Alpro Service Co.  
Brooklyn 718-386-2515

Appliance Installation  
Buffalo 716-884-7425

Duffy's Equipment Services, Inc.  
Buffalo 800-836-1014

3Wire Northern  
Plattsburgh 800-634-5005

Duffy's Equipment Services, Inc.  
Sauquoit 800-836-1014

J.B. Brady, Inc.  
Syracuse 315-422-9271

## NORTH CAROLINA

Authorized Appliance  
Charlotte 704-377-4501

## OHIO

Akron/Canton Comm. Svc. Inc.  
Akron 330-753-6635

Service Solutions Group  
Cincinnati 513-772-6600

Commercial Parts and Service  
Columbus 614-221-0057

Electrical Appl. Repair Service  
Independence 216-459-8700

E. A. Wichman Co.  
Toledo 419-385-9121

## OKLAHOMA

Hagar Rest. Service, Inc.  
Oklahoma City 405-235-2184

Krueger, Inc.  
Oklahoma City 405-528-8883

## OREGON

Ron's Service, Inc.  
Portland 503-624-0890

## PENNSYLVANIA

Elmer Schultz Services  
Philadelphia 215-627-5401

FAST Comm. Appl. Service  
Philadelphia 215-288-4800

Appliance Installation & Service  
Pittsburgh 412-809-0244

K & D Service Co.  
Harrisburg 717-236-9039

Electric Repair Co.  
Reading 610-376-5444

## RHODE ISLAND

Marshall Electric Co.  
Providence 401-331-1163

## SOUTH CAROLINA

Whaley Foodservice Repair  
W. Columbia 803-791-4420

## TENNESSEE

Camp Electric  
Memphis 901-527-7543

## TEXAS

GCS Service  
Fort Worth 800-433-1804

Armstrong Repair Service  
Houston 713-666-7100

Cooking Equipment Specialist  
Mesquite 888-866-9276

Refrigerated Specialist, Inc.  
Mesquite 888-866-9276

Commercial Kitchen Repair Co.  
San Antonio 210-735-2811

## UTAH

La Monica's Rest. Equip. Service  
Murray 801-263-3221

## VIRGINIA

Daubers  
Norfolk 757-855-4097

Daubers  
Springfield 703-866-3600

## WASHINGTON

3Wire Restaurant Appliance  
Seattle 866-770-2022

## WISCONSIN

A.S.C., Inc.  
Madison 608-246-3160

A.S.C., Inc.  
Milwaukee 414-543-6460

## CANADA

### ALBERTA

Key Food Equipment Service  
Edmonton 780-438-1690

### BRITISH COLUMBIA

Key Food Equipment Service  
Vancouver 604-433-4484

Key Food Equipment Service  
Victoria 250-920-4888

### MANITOBA

Air Rite, Inc.  
Winnipeg 204-895-2300

### NEW BRUNSWICK

EMR Services, Ltd.  
Moncton 506-855-4228

### ONTARIO

R.G. Henderson Ltd.  
Toronto 416-422-5580

Choquette - CKS, Inc.  
Ottawa 613-739-8458

### QUÉBEC

Choquette - CKS, Inc.  
Montreal 514-722-2000

Choquette - CKS, Inc.  
Québec City 418-681-3944

## UNITED KINGDOM

Marren Group  
Northants +44(0)1933 666233

HATCO CORPORATION  
P.O. Box 340500  
Milwaukee, WI 53234-0500 U.S.A.  
(800) 558-0607 (414) 671-6350  
Parts and Service Fax (800) 690-2966  
International Fax (414) 671-3976  
partsandservice@hatcocorp.com  
www.hatcocorp.com