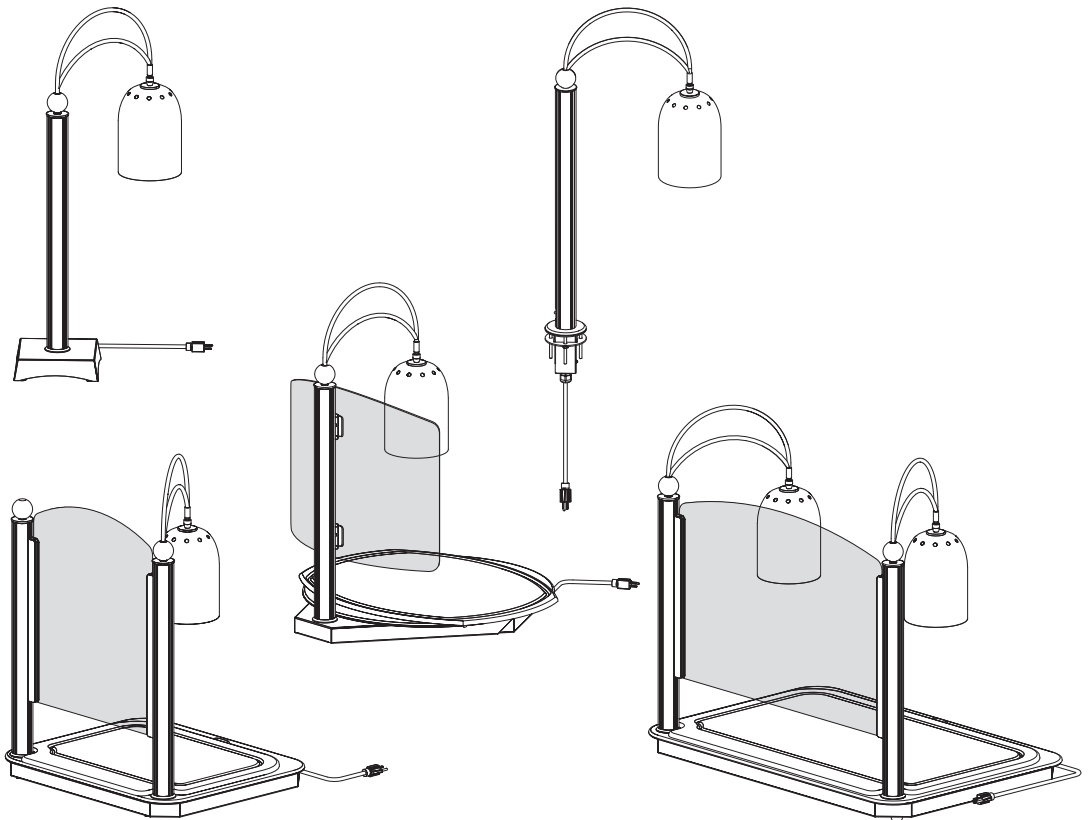




# Decorative Carving Station

## DCS Series

<u>Model Name</u>	<u>Page</u>	<u>Model Name</u>	<u>Page</u>
DCS400-1 .....	2	DCSB400-R24-1 .....	6
DCS400-1CM.....	4	DCSB400-2420-1.....	6
		DCSB400-3624-2.....	6



## Replacement Parts List



## Parts for DCS400-1 Models

Item	Description	Part Number	Qty.
1	Hook Assembly, Center Mount		
	Bright Nickel	R00.04.0085.00	1
	Bright Brass	R00.04.0086.00	1
	Bright Copper	R00.04.0096.00	1
	Antique Bronze	R00.04.0076.00	1
2	Locknut	02.20.270.00	2
3	Cap, Post	04.52.016.00	1
4	Nipple, Straight	02.20.359.00	1
5	Coiled Cord	02.18.253.00	1
6	T-Block	R02.15.030.00	1
7	Cord Grip	02.20.212.00	1
8	Cord		
	NEMA 5-15P	R02.18.030.00	1
	CEE Schuko	02.18.077.00	1
	BS-1363	02.18.066.00	1
	AS-3112	02.18.104.00	1

Item	Description	Part Number	Qty.
9	Bulb		
	120 V, 250 W, White, Coated	02.30.069.00	1
	240 V, 250 W, White, Coated	02.30.100.00	1
10	Switch, Rocker	02.19.177.00	1
11	Feet	R05.30.029.00	4
	Wiring Diagram		
	120 V	10-01-801	
	230 V	10-01-849	

The shaded areas contain part information for **International models only.**

# DECORATIVE CARVING STATION

DCS400-1CM Models

## Model Designation

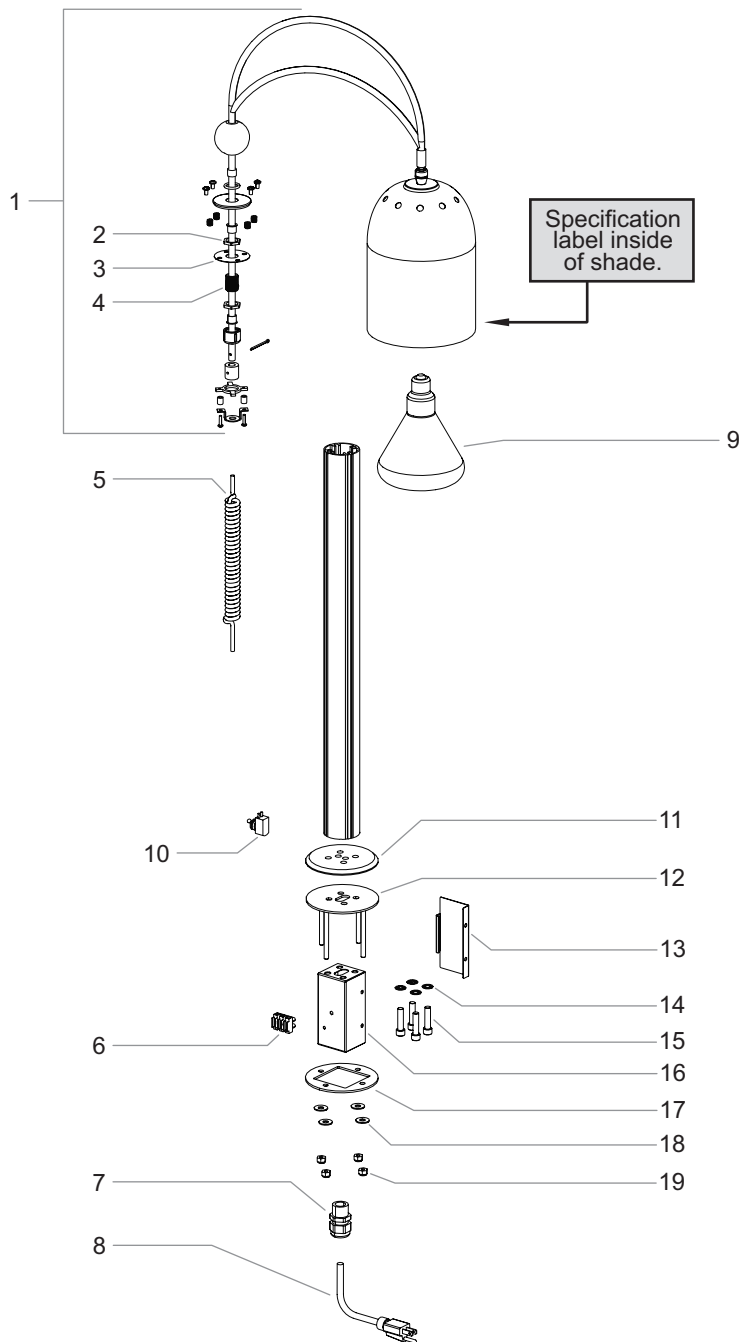
**DCS400-1CM**

Decorative Carving Station

Countertop Mount

Shade Style Number

Quantity Overhead Heat Lamps



24 Hour 7 Day Parts and Service Assistance available in the United States and Canada by calling 800-558-0607.

**CAUTION**

Use of replacement parts other than those supplied by Hatco Corporation may result in damage to unit or injury to personnel and will void all warranties.



## Parts for DCS400-1CM Models

Item	Description	Part Number	Qty.
1	Hook Assembly, Center Mount		
	Bright Nickel	R00.04.0085.00	1
	Bright Brass	R00.04.0086.00	1
	Bright Copper	R00.04.0096.00	1
	Antique Bronze	R00.04.0076.00	1
2	Locknut	02.20.270.00	2
3	Cap, Post	04.52.016.00	1
4	Nipple, Straight	02.20.359.00	1
5	Coiled Cord	02.18.253.00	1
6	T-Block	R02.15.030.00	1
7	Cord Grip	R02.20.259.00	1
8	Cord		
	NEMA 5-15P	R02.18.030.00	1
	CEE Schuko	02.18.077.00	1
	BS-1363	02.18.066.00	1
	AS-3112	02.18.104.00	1
9	Bulb		
	120 V, 250 W, White, Coated	02.30.069.00	1
	240 V, 250 W, White, Coated	02.30.100.00	1

Item	Description	Part Number	Qty.
10	Switch, Toggle	02.19.168.00	1
11	Post Base		
	Night Sky	04.52.219.00	1
	Sawgrass	04.52.220.00	1
	Gray Granite	04.52.221.00	1
	Bermuda Sand	04.52.222.00	1
12	Plate	04.52.217.00	1
13	Cover, Wire Box	04.52.133.00	1
14	Washers	05.11.056.00	4
15	Screws	05.04.819.00	4
16	Wire Box	04.52.131.00	1
17	Clamp Plate	04.52.218.00	1
18	Washers, Clamp Plate	05.11.013.00	4
19	Nuts, Clamp Plate	05.04.546.00	4
	Wiring Diagram		
	120 V	10-01-1107	
	230 V	10-01-1108	

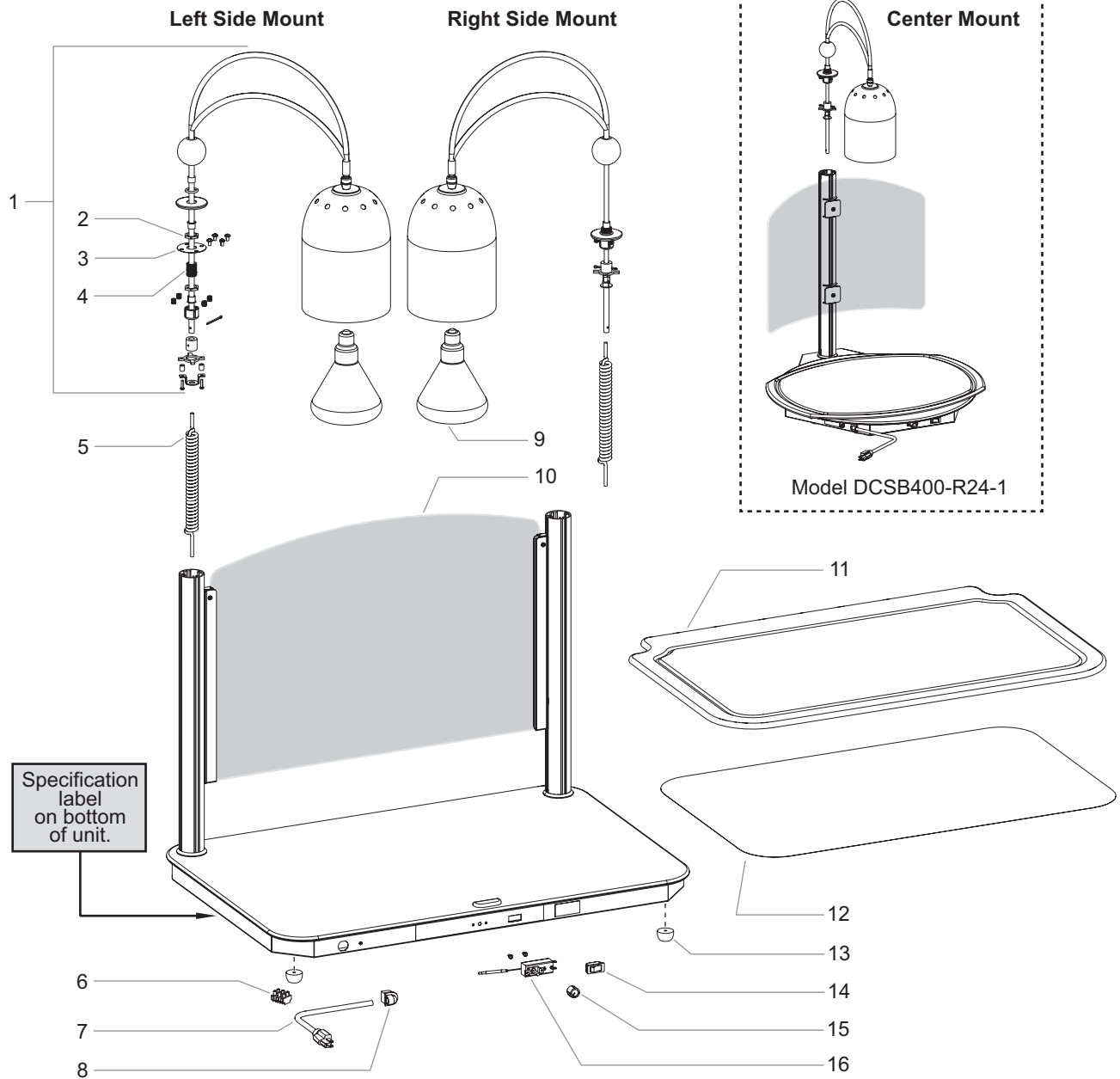
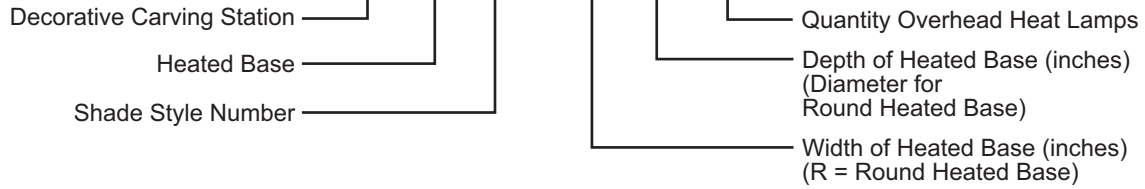
The shaded areas contain part information for **International models only.**

# DECORATIVE CARVING STATION

DCSB400-2420-1, DCSB400-3624-2, and DCSB400-R24-1 Models

## Model Designation

**DCSB400-XXXX-X**



**Parts for DCSB400-2420-1, DCSB400-3624-2, and DCSB400-R24-1 Models**

Item	Description	Part Number	Qty.
1	Hook Assembly, Center Mount (DCSB400-R24-1 Models only)		
	Bright Nickel	R00.04.0085.00	1
	Bright Brass	R00.04.0086.00	1
	Bright Copper	R00.04.0096.00	1
	Antique Bronze	R00.04.0076.00	1
	Hook Assembly, Right Side Mount (DCSB400-3624-2 Models only)		
	Bright Nickel	R00.04.0075.00	1
	Bright Brass	R00.04.0077.00	1
	Bright Copper	R00.04.0095.00	1
	Antique Bronze	R00.04.0084.00	1
	Hook Assembly, Left Side Mount (DCSB400-2420-1 and -3624-2 Models only)		
	Bright Nickel	R00.04.0072.00	1
	Bright Brass	R00.04.0073.00	1
	Bright Copper	R00.04.0094.00	1
	Antique Bronze	R00.04.0078.00	1
2	Locknut	02.20.270.00	2
3	Cap, Post	04.52.016.00	1
4	Nipple, Straight	02.20.359.00	1
5	Coiled Cord	02.18.253.00	1
6	T-Block	R02.15.030.00	1
7	Cord Grip		
	Right Angle	02.20.330.00	1
	Straight	02.20.212.00	1
8	Cord		
	NEMA 5-15P	R02.18.030.00	1
	CEE Schuko	02.18.077.00	1
	BS-1363	02.18.066.00	1
	AS-3112	02.18.104.00	1
9	Bulb		
	120 V, 250 W, White, Coated	02.30.069.00	1-2
	240 V, 250 W, White, Coated	02.30.100.00	1-2
10	Glass		
	DCSB400-R24-1 Model	04.40.330.00	1
	DCSB400-2420-1 Model	04.40.329.00	1
	DCSB400-3624-2 Model	04.40.344.00	1

Item	Description	Part Number	Qty.
11	Cutting Board, Swanstone		
	DCSB400-R24-1 Model		
	Night Sky	04.52.187.00	1
	Sawgrass	04.52.190.00	1
	Gray Granite	04.52.188.00	1
	Bermuda Sand	04.52.189.00	1
	DCSB400-2420-1 Model		
	Night Sky	04.52.191.00	1
	Sawgrass	04.52.192.00	1
	Gray Granite	04.52.193.00	1
	Bermuda Sand	04.52.194.00	1
	DCSB400-3624-2 Model		
	Night Sky	04.52.195.00	1
	Sawgrass	04.52.196.00	1
	Gray Granite	04.52.197.00	1
	Bermuda Sand	04.52.198.00	1
12	Blanket Heater		
	120 V, DCSB400-R24-1	02.05.708.00	1
	230 V, DCSB400-R24-1	02.05.714.00	1
	120 V, DCSB400-2420-1	02.05.710.00	1
	230 V, DCSB400-2420-1	02.05.715.00	1
	120 V, DCSB400-3624-2	02.05.711.00	1
	230 V, DCSB400-3624-2	02.05.716.00	1
13	Feet	R05.30.029.00	4-5
14	Rocker Switch	02.19.177.00	1
15	Knob, Thermostat	05.30.039.00	1
16	Thermostat	R02.16.066.00	1
	Wiring Diagram		
	DCSB400-R24-1		
	120 V	10-01-724	
	230 V	10-01-847	
	DCSB400-2420-1 and -3624-2		
	120 V, Single Lamp	10-01-724	
	230 V, Single Lamp	10-01-847	
	120 V, Dual Lamps	10-01-800	
	230 V, Dual Lamps	10-01-848	

The shaded areas contain part information for **International models only.**



24 Hour 7 Day Parts and Service Assistance available in the United States and Canada by calling 800-558-0607.



**Use of replacement parts other than those supplied by Hatco Corporation may result in damage to unit or injury to personnel and will void all warranties.**

# AUTHORIZED PARTS DISTRIBUTORS • AUTORISÉS DISTRIBUTEURS DE PIÈCES

## ALABAMA

Jones McLeod Appl. Svc.  
Birmingham 205-251-0159

## ARIZONA

Service Solutions Group  
Phoenix 602-234-2443

Byassee Equipment Co.  
Phoenix 602-252-0402

## CALIFORNIA

Industrial Electric  
Commercial Parts & Service, Inc.  
Huntington Beach 714-379-7100

Chapman Appl. Service  
San Diego 619-298-7106

P & D Appliance  
Commercial Parts & Service, Inc.  
S. San Francisco 650-635-1900

## COLORADO

Hawkins Commercial Appliance  
Englewood 303-781-5548

## FLORIDA

Whaley Foodservice Repair  
Jacksonville 904-725-7800

3Wire Nass Service Co., Inc.  
Orlando 407-425-2681

B.G.S.I.  
Pompano Beach 954-971-0456

Comm. Appliance Service  
Tampa 813-663-0313

## GEORGIA

TWC Services  
Mableton 770-438-9797

Heritage Service Group  
Norcross 866-388-9837

Southeastern Rest. Svc.  
Norcross 770-446-6177

## HAWAII

Burney's Comm. Service, Inc.  
Honolulu 808-848-1466

Food Equip Parts & Service  
Honolulu 808-847-4871

## ILLINOIS

Parts Town  
Lombard 708-865-7278

Eichenauer Elec. Service  
Decatur 217-429-4229

Midwest Elec. Appl. Service  
Elmhurst 630-279-8000

Cone's Repair Service  
Moline 309-797-5323

## INDIANA

GCS Service  
Indianapolis 317-545-9655

## IOWA

Goodwin Tucker Group  
Des Moines 515-262-9308

## KENTUCKY

Service Solutions Group  
Lexington 859-254-8854

Service Solutions Group  
Louisville 502-451-5411

## LOUISIANA

Chandlers Parts & Service  
Baton Rouge 225-272-6620

## MARYLAND

Electric Motor Service  
Baltimore 410-467-8080

GCS Service  
Silver Spring 301-585-7550

## MASSACHUSETTS

Ace Service Co., Inc.  
Needham 781-449-4220

## MICHIGAN

Bildons Appliance Service  
Detroit 248-478-3320

Commercial Kitchen Service  
Bay City 517-893-4561

Midwest Food Equip. Service  
Grandville 616-261-2000

## MINNESOTA

GCS Service  
Plymouth 800-345-4221

## MISSOURI

General Parts  
Kansas City 816-421-5400

Commercial Kitchen Services  
St. Louis 314-890-0700

Kaemmerlen Parts & Service  
St. Louis 314-535-2222

## NEBRASKA

Anderson Electric  
Omaha 402-341-1414

## NEVADA

Burney's Commercial  
Las Vegas 702-736-0006

Hi. Tech Commercial Service  
N. Las Vegas 702-649-4616

## NEW JERSEY

Jay Hill Repair  
Fairfield 973-575-9145

Service Plus  
Flanders 973-691-6300

## NEW YORK

Acme American Repairs, Inc.  
Brooklyn 718-456-6544

Alpro Service Co.  
Brooklyn 718-386-2515

Appliance Installation  
Buffalo 716-884-7425

Duffy's Equipment Services, Inc.  
Buffalo 800-836-1014

3Wire Northern  
Plattsburgh 800-634-5005

Duffy's Equipment Services, Inc.  
Sauquoit 800-836-1014

J.B. Brady, Inc.  
Syracuse 315-422-9271

## NORTH CAROLINA

Authorized Appliance  
Charlotte 704-377-4501

## OHIO

Akron/Canton Comm. Svc. Inc.  
Akron 330-753-6635

Service Solutions Group  
Cincinnati 513-772-6600

Commercial Parts and Service  
Columbus 614-221-0057

Electrical Appl. Repair Service  
Brooklyn Heights 216-459-8700

E. A. Wichman Co.  
Toledo 419-385-9121

## OKLAHOMA

Hagar Rest. Service, Inc.  
Oklahoma City 405-235-2184

Krueger, Inc.  
Oklahoma City 405-528-8883

## OREGON

Ron's Service, Inc.  
Portland 503-624-0890

## PENNSYLVANIA

Elmer Schultz Services  
Philadelphia 215-627-5401

FAST Comm. Appl. Service  
Philadelphia 215-288-4800

Appliance Installation & Service  
Pittsburgh 412-809-0244

K & D Service Co.  
Harrisburg 717-236-9039

Electric Repair Co.  
Reading 610-376-5444

## RHODE ISLAND

Marshall Electric Co.  
Providence 401-331-1163

## SOUTH CAROLINA

Whaley Foodservice Repair  
W. Columbia 803-791-4420

## TENNESSEE

Camp Electric  
Memphis 901-527-7543

## TEXAS

GCS Service  
Fort Worth 800-433-1804

Armstrong Repair Service  
Houston 713-666-7100

Cooking Equipment Specialist  
Mesquite 888-866-9276

Refrigerated Specialist, Inc.  
Mesquite 888-866-9276

Commercial Kitchen Repair Co.  
San Antonio 210-735-2811

## UTAH

La Monica's Rest. Equip. Service  
Murray 801-263-3221

## VIRGINIA

Daubers  
Norfolk 757-855-4097

Daubers  
Springfield 703-866-3600

## WASHINGTON

3Wire Restaurant Appliance  
Seattle 800-207-3146

## WISCONSIN

A.S.C., Inc.  
Madison 608-246-3160

A.S.C., Inc.  
Milwaukee 414-543-6460

## CANADA

### ALBERTA

Key Food Equipment Service  
Edmonton 780-438-1690

### BRITISH COLUMBIA

Key Food Equipment Service  
Vancouver 604-433-4484

Key Food Equipment Service  
Victoria 250-920-4888

### MANITOBA

Air Rite, Inc.  
Winnipeg 204-895-2300

### NEW BRUNSWICK

EMR Services, Ltd.  
Moncton 506-855-4228

### ONTARIO

R.G. Henderson Ltd.  
Toronto 416-422-5580

Choquette - CKS, Inc.  
Ottawa 613-739-8458

### QUÉBEC

Choquette - CKS, Inc.  
Montreal 514-722-2000

Choquette - CKS, Inc.  
Québec City 418-681-3944

## UNITED KINGDOM

Marren Group  
Northants +44(0)1933 665313

**HATCO CORPORATION**  
P.O. Box 340500  
Milwaukee, WI 53234-0500 U.S.A.  
800-558-0607 414-671-6350  
Parts and Service Fax 800-690-2966  
International Fax 414-671-3976  
partsandservice@hatcocorp.com  
www.hatcocorp.com