



# FLAV-R-FRESH<sup>®</sup> Display Cabinets

## *FDW Series*

---

*FDW-1*

*FDW-2*

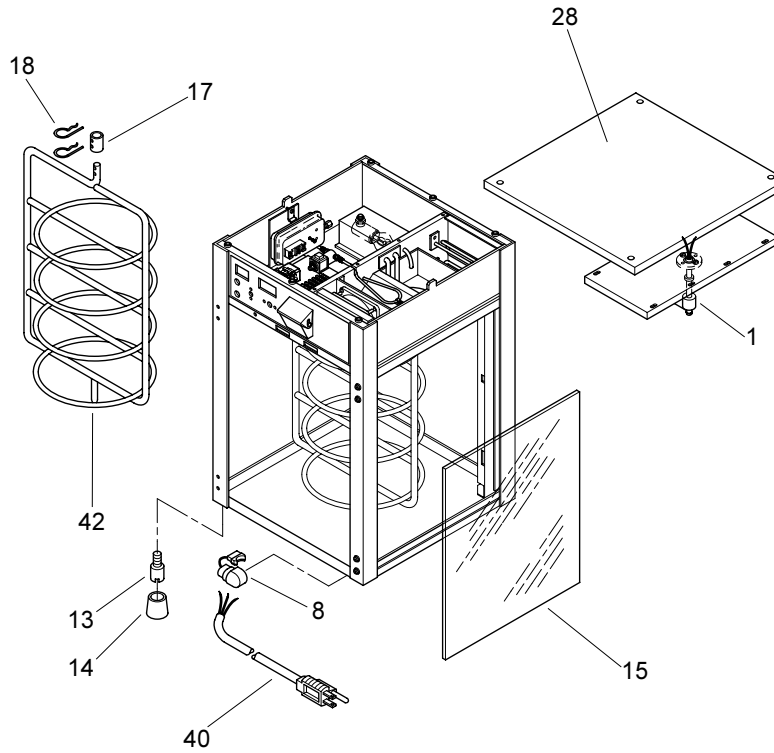
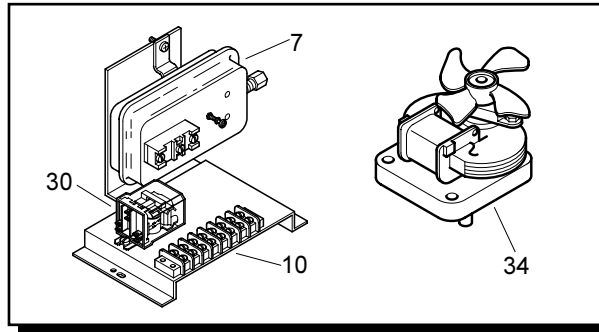
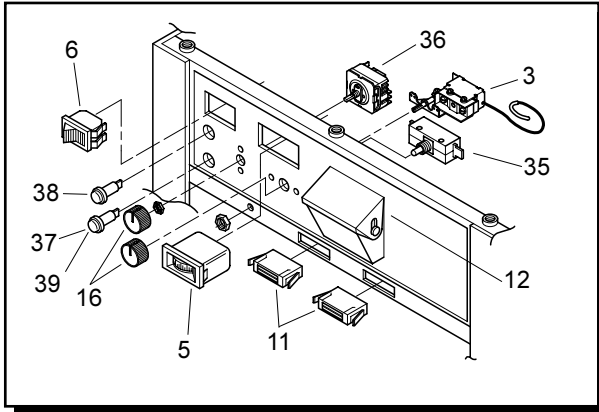
*FDW-1X*

*FDW-2X*

---

**REPLACEMENT  
PARTS LIST**

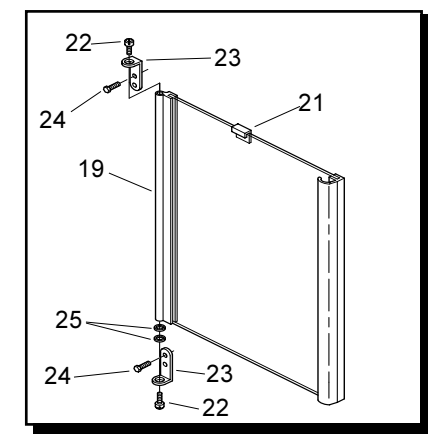
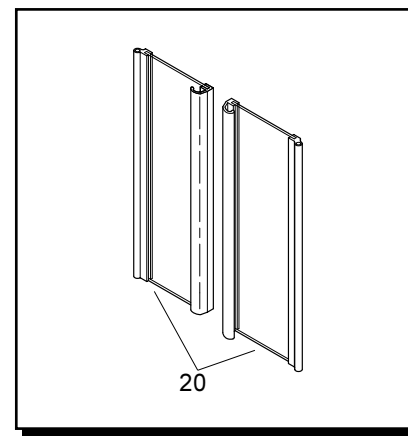
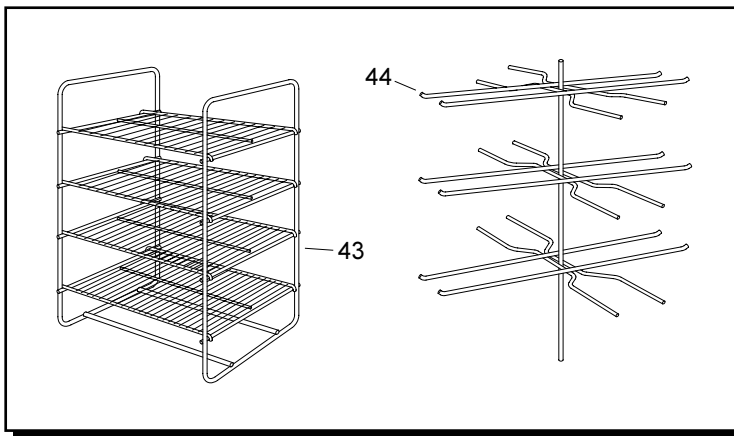
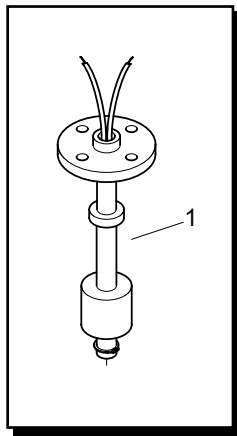
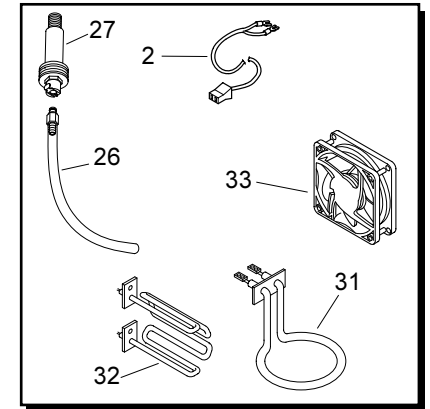
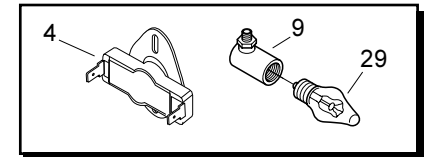
# HATCO FLAV-R-FRESH FDW SERIES DISPLAY CABINETS



**Model Designation**

FDW-XX

- F = Flav-R
- D = Display
- W = Warmer
- X = Number of doors
- X = No rotating rack motor



### PARTS COMMON TO ALL FDW MODELS

ITEM	DESCRIPTION	PART NO.	QTY.	ITEM	DESCRIPTION	PART NO.	QTY.
1	Float Switch	R02.01.029.00	1	16	Knob	05.30.019.00	2
2	Blower Motor Cord	02.12.001A.00	1	17	Rack Coupler with Pins	R04.17.078.00	1
3	Air Temp. Thermostat	02.16.002.00	1	18	Cotter Pins	05.04.352.00	2
4	High Limit Disk	R02.16.118.00	1	19	Door Assembly	R04.24.022.00	1-2
5	Temperature Display	02.16.050.00	1	20	French Door (2 per set)	R04.24.021.00	1-2 Sets
6	On/Off Rocker Switch	02.19.015.00	1	21	Striker Plate	05.30.027.00	1-4
*7	Air Flow Switch	02.19.050.00	1	22	Hinge Pin	04.24.023.00	2/Door
8	Cord Grip (Power Cord)	02.20.206.00	1	23	Hinge	04.24.020.00	2/Door
9	Light Socket	02.30.039.00	1	24	Hinge Mounting Screw		
10	Terminal Block (8 pole)	02.15.012.00	1		8/32 x 1/2" Hex Head	05.04.099.00	4/Door
11	Door Magnet	05.30.026.00	2-4	25	Nylon Washer	05.11.033.00	3/Door
12	Fill Cup with Cover	R05.30.050.00	1	+26	Plastic Drain Tube	R03.40.054.00	1
13	Metal Foot	05.04.087.00	4	+27	Ceiling Drain	R03.40.055.00	1
14	Rubber Cover, Foot	05.06.038.00	4	28	Top Cover - Painted	04.24.004.00	1
15	Glass (Side & Rear)	04.40.025.00	3				

\* Item 7 not used on units built after July 15, 1996.

+ Items 26 & 27 used with s/n 5143899510 and later.

### PARTS SPECIFIC TO MODEL FDW-1

ITEM	DESCRIPTION	100V 60 Hz	120V 60 Hz	120V Canada	208V 60 Hz	220V 50 Hz	240V 50 Hz	220-230V CE 50 Hz	230-240V CE 50 Hz
29	Light Bulb	02.30.043.00	02.30.043.00	02.30.043.00	---	02.30.058.00	02.30.058.00	02.30.058.00	02.30.058.00
30	Relay	02.01.187.00	02.01.028.00	02.01.028.00	---	02.01.043.00	02.01.043.00	02.01.043.00	02.01.043.00
31	Water Heating Element (325W)	R02.05.512.00	R02.05.006.00	R02.05.006.00	---	R02.05.016.00	R02.05.013.00	R02.05.016.00	R02.05.013.00
32	Air Heating Element (1050W)	R02.05.511.00	R02.05.011.00	R02.05.011.00	---	R02.05.015.00	R02.05.012.00	R02.05.015.00	R02.05.012.00
33	Blower Motor	02.12.001.00	02.12.001.00	02.12.001.00	---	02.12.006.00	02.12.006.00	02.12.006.00	02.12.006.00
34	Rack Motor	02.12.004.00	02.12.004.00	02.12.004.00	---	02.12.026.00	02.12.026.00	02.12.026.00	02.12.026.00
35	Door Switch (Qty. 1)	R02.19.004.00	R02.19.004.00	R02.19.004.00	---	R02.19.004.00	R02.19.004.00	R02.19.004.00	R02.19.004.00
36	Humidity Control	R02.19.160.00	R02.19.018.00	R02.19.018.00	---	R02.19.019.00	R02.19.019.00	R02.19.019.00	R02.19.019.00
37	Indicator Light-Red	02.19.154.00	02.19.154.00	02.19.154.00	---	02.19.151.00	02.19.151.00	---	---
38	Indicator Light-Green	02.19.155.00	02.19.155.00	02.19.155.00	---	02.19.150.00	02.19.150.00	02.19.150.00	02.19.150.00
39	Indicator Light-Yellow	---	---	---	---	---	---	02.19.152.00	02.19.152.00
40	Power Cord	02.18.035.00	02.18.035.00	02.18.082.00	---	02.18.109.00	02.18.120.00	02.18.120.00	02.18.120.00
41	Terminal Block (3 pole) (not shown)	---	---	---	---	---	---	02.15.030.00	02.15.030.00
42	4-Tier Circle Rack	04.24.025.00	04.24.025.00	04.24.025.00	---	04.24.025.00	04.24.025.00	04.24.025.00	04.24.025.00
43	4-Shelf Multi-Purpose Rack	R04.17.016.00	R04.17.016.00	R04.17.016.00	---	R04.17.016.00	R04.17.016.00	R04.17.016.00	R04.17.016.00
44	3-Tier Pretzel Rack	04.17.079.00	04.17.079.00	04.17.079.00	---	04.17.079.00	04.17.079.00	04.17.079.00	04.17.079.00
	Electrical Drawing	HS2-5851	HS2-743	HS2-743	---	HS1-3218	HS1-2333	HS1-4405	HS1-4406

Shaded area reflects **export models only**.

Model FDW-1 **cannot** be field converted to model FDW-2.

**PARTS SPECIFIC TO MODEL FDW-1X**

ITEM	DESCRIPTION	100V 60 Hz	120V 60 Hz	120V Canada	208V 60 Hz	220V 50 Hz	240V 50 Hz	220-230V CE 50 Hz	230-240V CE 50 Hz
29	Light Bulb	02.30.043.00	02.30.043.00	02.30.043.00	---	02.30.058.00	02.30.058.00	02.30.058.00	02.30.058.00
30	Relay	02.01.187.00	02.01.028.00	02.01.028.00	---	02.01.043.00	02.01.043.00	02.01.043.00	02.01.043.00
31	Water Heating Element (325W)	R02.05.512.00	R02.05.006.00	R02.05.006.00	---	R02.05.016.00	R02.05.013.00	R02.05.016.00	R02.05.013.00
32	Air Heating Element (1050W)	R02.05.511.00	R02.05.011.00	R02.05.011.00	---	R02.05.015.00	R02.05.012.00	R02.05.015.00	R02.05.012.00
33	Blower Motor	02.12.001.00	02.12.001.00	02.12.001.00	---	02.12.006.00	02.12.006.00	02.12.006.00	02.12.006.00
34	Rack Motor	---	---	---	---	---	---	---	---
35	Door Switch	---	---	---	---	---	---	---	---
36	Humidity Control	R02.19.160.00	R02.19.018.00	R02.19.018.00	---	R02.19.019.00	R02.19.019.00	R02.19.019.00	R02.19.019.00
37	Indicator Light-Red	02.19.154.00	02.19.154.00	02.19.154.00	---	02.19.151.00	02.19.151.00	---	---
38	Indicator Light-Green	02.19.155.00	02.19.155.00	02.19.155.00	---	02.19.150.00	02.19.150.00	02.19.150.00	02.19.150.00
39	Indicator Light-Yellow	---	---	---	---	---	---	02.19.152.00	02.19.152.00
40	Power Cord	02.18.035.00	02.18.035.00	02.18.082.00	---	02.18.109.00	02.18.120.00	02.18.109.00	02.18.120.00
41	Terminal Block (3 pole) (not shown)	---	---	---	---	---	---	02.15.030.00	02.15.030.00
42	4-Tier Circle Rack	---	---	---	---	---	---	---	---
43	4-Shelf Multi-Purpose Rack	R04.17.016.00	R04.17.016.00	R04.17.016.00	---	R04.17.016.00	R04.17.016.00	R04.17.016.00	R04.17.016.00
44	3-Tier Pretzel Rack	---	---	---	---	---	---	---	---
	Electrical Drawing	HS2-5851	HS2-743	HS2-743	---	HS1-3218	HS1-2333	HS1-4405	HS1-4406

Shaded area reflects **export models only**.

**PARTS SPECIFIC TO MODEL FDW-2**

ITEM	DESCRIPTION	100V 60 Hz	120V 60 Hz	120V Canada	208V 60 Hz	220V 50 Hz	240V 50 Hz	220-230V CE 50 Hz	230-240V CE 50 Hz
29	Light Bulb	02.30.043.00	02.30.043.00	02.30.043.00	---	02.30.058.00	02.30.058.00	02.30.058.00	02.30.058.00
30	Relay	02.01.187.00	02.01.028.00	02.01.028.00	---	02.01.043.00	02.01.043.00	02.01.043.00	02.01.043.00
31	Water Heating Element (325W)	R02.05.512.00	R02.05.006.00	R02.05.006.00	---	R02.05.016.00	R02.05.013.00	R02.05.016.00	R02.05.013.00
32	Air Heating Element (1050W)	R02.05.511.00	R02.05.011.00	R02.05.011.00	---	R02.05.015.00	R02.05.012.00	R02.05.015.00	R02.05.012.00
33	Blower Motor	02.12.001.00	02.12.001.00	02.12.001.00	---	02.12.006.00	02.12.006.00	02.12.006.00	02.12.006.00
34	Rack Motor	02.12.004.00	02.12.004.00	02.12.004.00	---	02.12.026.00	02.12.026.00	02.12.026.00	02.12.026.00
35	Door Switch (Qty. 2)	R02.19.004.00	R02.19.004.00	R02.19.004.00	---	R02.19.004.00	R02.19.004.00	R02.19.004.00	R02.19.004.00
36	Humidity Control	R02.19.160.00	R02.19.018.00	R02.19.018.00	---	R02.19.019.00	R02.19.019.00	R02.19.019.00	R02.19.019.00
37	Indicator Light-Red	02.19.154.00	02.19.154.00	02.19.154.00	---	02.19.151.00	02.19.151.00	---	---
38	Indicator Light-Green	02.19.155.00	02.19.155.00	02.19.155.00	---	02.19.150.00	02.19.150.00	02.19.150.00	02.19.150.00
39	Indicator Light-Yellow	---	---	---	---	---	---	02.19.152.00	02.19.152.00
40	Power Cord	02.18.035.00	02.18.035.00	02.18.082.00	---	02.18.109.00	02.18.120.00	02.18.109.00	02.18.120.00
41	Terminal Block (3 pole) (not shown)	---	---	---	---	---	---	02.15.030.00	02.15.030.00
42	4-Tier Circle Rack	04.24.025.00	04.24.025.00	04.24.025.00	---	04.24.025.00	04.24.025.00	04.24.025.00	04.24.025.00
43	4-Shelf Multi-Purpose Rack	R04.17.016.00	R04.17.016.00	R04.17.016.00	---	R04.17.016.00	R04.17.016.00	R04.17.016.00	R04.17.016.00
44	3-Tier Pretzel Rack	04.17.079.00	04.17.079.00	04.17.079.00	---	04.17.079.00	04.17.079.00	04.17.079.00	04.17.079.00
	Electrical Drawing	HS2-5851	HS2-743	HS2-743	---	HS1-3218	HS1-2333	HS1-4405	HS1-4406

Shaded area reflects **export models only**.

**PARTS SPECIFIC TO MODEL FDW-2X**

ITEM	DESCRIPTION	100V 60 Hz	120V 60 Hz	120V Canada	208V 60 Hz	220V 50 Hz	240V 50 Hz	220-230V CE 50 Hz	230-240V CE 50 Hz
29	Light Bulb	02.30.043.00	02.30.043.00	02.30.043.00	---	02.30.058.00	02.30.058.00	02.30.058.00	02.30.058.00
30	Relay	02.01.187.00	02.01.028.00	02.01.028.00	---	02.01.043.00	02.01.043.00	02.01.043.00	02.01.043.00
31	Water Heating Element (325W)	R02.05.512.00	R02.05.006.00	R02.05.006.00	---	R02.05.016.00	R02.05.013.00	R02.05.016.00	R02.05.013.00
32	Air Heating Element (1050W)	R02.05.511.00	R02.05.011.00	R02.05.011.00	---	R02.05.015.00	R02.05.012.00	R02.05.015.00	R02.05.012.00
33	Blower Motor	02.12.001.00	02.12.001.00	02.12.001.00	---	02.12.006.00	02.12.006.00	02.12.006.00	02.12.006.00
34	Rack Motor	---	---	---	---	---	---	---	---
35	Door Switch	---	---	---	---	---	---	---	---
36	Humidity Control	R02.19.160.00	R02.19.018.00	R02.19.018.00	---	R02.19.019.00	R02.19.019.00	R02.19.019.00	R02.19.019.00
37	Indicator Light-Red	02.19.154.00	02.19.154.00	02.19.154.00	---	02.19.151.00	02.19.151.00	---	---
38	Indicator Light-Green	02.19.155.00	02.19.155.00	02.19.155.00	---	02.19.150.00	02.19.150.00	02.19.150.00	02.19.150.00
39	Indicator Light-Yellow	---	---	---	---	---	---	02.19.152.00	02.19.152.00
40	Power Cord	02.18.035.00	02.18.035.00	02.18.082.00	---	02.18.109.00	02.18.120.00	02.18.109.00	02.18.120.00
41	Terminal Block (3 pole) (not shown)	---	---	---	---	---	---	02.15.030.00	02.15.030.00
42	4-Tier Circle Rack	---	---	---	---	---	---	---	---
43	4-Shelf Multi-Purpose Rack	R04.17.016.00	R04.17.016.00	R04.17.016.00	---	R04.17.016.00	R04.17.016.00	R04.17.016.00	R04.17.016.00
44	3-Tier Pretzel Rack	---	---	---	---	---	---	---	---
	Electrical Drawing	HS2-5851	HS2-743	HS2-743	---	HS1-3218	HS1-2333	HS1-4405	HS1-4406

Shaded area reflects **export models only**.

## NOTES

---

---

---

---

---

---

---

---

---

---

---

---

---

---

---

---

---

---

---

---

---

## HATCO AUTHORIZED PARTS DISTRIBUTORS

### ALABAMA

Jones McLeod Appl. Svc.  
Birmingham 205-251-0159

### ARIZONA

Auth. Comm. Food Equip.  
Phoenix 602-234-2443  
Byassee Equipment Co.  
Phoenix 602-252-0402

### CALIFORNIA

Industrial Electric  
Huntington Beach 714-379-7100  
Chapman Appl. Service  
San Diego 619-298-7106  
P & D Appliance  
S. San Francisco 650-635-1900

### COLORADO

Hawkins Commercial Appliance  
Englewood 303-781-5548

### DELAWARE

Food Equipment Service  
Wilmington 302-996-9363

### FLORIDA

Whaley Foodservice Repair  
Jacksonville 904-725-7800  
Nass Service Co., Inc.  
Orlando 407-425-2681  
B.G.S.I.  
Pompano Beach 954-971-0456  
Comm. Appliance Service  
Tampa 813-663-0313

### GEORGIA

Southeastern Rest. Svc.  
Norcross 770-446-6177

### HAWAII

Burney's Comm. Service, Inc.  
Honolulu 808-848-1466  
Food Equip Parts & Service  
Honolulu 808-847-4871

### ILLINOIS

Parts Town  
Lombard 708-865-7278  
Eichenauer Elec. Service  
Decatur 217-429-4229  
Midwest Elec. Appl. Service  
Elmhurst 630-279-8000  
Cone's Repair Service  
Moline 309-797-5323

### INDIANA

GCS Service  
Indianapolis 317-545-9655

### IOWA

Electric Motor Service Co.  
Davenport 319-323-1823

### KENTUCKY

GCS Service  
Louisville 502-367-1788

### LOUISIANA

Chandlers Parts & Service  
Baton Rouge 225-272-6620  
Bana Comm. Parts, Inc.  
Shreveport 318-631-6550

### MARYLAND

Electric Motor Service  
Baltimore 410-467-8080  
GCS Service  
Silver Spring 301-585-7550

### MASSACHUSETTS

Ace Service Co., Inc.  
Needham 781-449-4220

### MICHIGAN

Commercial Kitchen Service  
Bay City 517-893-4561  
Bildons Appliance Service  
Detroit 248-478-3320  
Midwest Food Equip. Service  
Grandville 616-261-2000

### MINNESOTA

GCS Service  
Minneapolis 612-546-4221

### MISSOURI

GCS Service  
Kansas City 816-920-5999  
Commercial Kitchen Services  
St. Louis 314-890-0700  
Kaemmerlen Parts & Service  
St. Louis 314-535-2222

### NEBRASKA

Anderson Electric  
Omaha 402-341-1414

### NEVADA

Burney's Commercial  
Las Vegas 702-736-0006  
Hi. Tech Commercial Service  
N. Las Vegas 702-649-4616

### NEW JERSEY

Jay Hill Repair  
Fairfield 973-575-9145  
Service Plus  
Flanders 973-691-6300

### NEW YORK

Acme American Repairs, Inc.  
Brooklyn 718-456-6544  
Alpro Service Co.  
Brooklyn 718-386-2515  
Appliance Installation  
Buffalo 716-884-7425  
Northern Parts Dist.  
Plattsburgh 518-563-3200  
J. B. Brady, Inc.  
Syracuse 315-422-9271

### NORTH CAROLINA

Authorized Appliance  
Charlotte 704-377-4501

### OHIO

Akron/Canton Comm. Svc. Inc.  
Akron 330-753-6635  
Certified Service Center  
Cincinnati 513-772-6600  
GCS Service  
Columbus 614-476-3225  
Electrical Appl. Repair Service  
Independence 216-459-8700  
E. A. Wichman Co.  
Toledo 419-385-9121

### OKLAHOMA

Hagar Rest. Service, Inc.  
Oklahoma City 405-235-2184  
Krueger, Inc.  
Oklahoma City 405-528-8883

### OREGON

Bressie Electric Co.  
Portland 503-231-7171  
Ron's Service, Inc.  
Portland 503-624-0890

### PENNSYLVANIA

Authorized Factory Service  
Coraopolis 412-262-2330  
FAST Comm. Appl. Service  
Philadelphia 215-288-4800

GCS Service  
Pittsburgh 412-787-1970

K & D Service Co.  
Harrisburg 717-236-9039

Elmer Schultz Services  
Philadelphia 215-627-5401

Electric Repair Co.  
Reading 610-376-5444

### RHODE ISLAND

Marshall Electric Co.  
Providence 401-331-1163

### SOUTH CAROLINA

Whaley Foodservice Repair  
W. Columbia 803-791-4420

### TENNESSEE

Camp Electric  
Memphis 901-527-7543

### TEXAS

Stove Parts Supply  
Fort Worth 817-831-0381

Armstrong Repair Service  
Houston 713-666-7100

Commercial Kitchen Repair Co.  
San Antonio 210-735-2811

San Antonio Rest. Equip.  
San Antonio 210-532-1660

### UTAH

GCS Service  
Salt Lake City 801-487-3653

### VIRGINIA

Daubers  
Norfolk 757-855-4097

Daubers  
Springfield 703-866-3600

### WASHINGTON

Restaurant Appl. Service  
Seattle 206-524-8200

### WISCONSIN

A.S.C., Inc.  
Madison 608-246-3160  
A.S.C., Inc.  
Milwaukee 414-543-6460

## CANADA

### BRITISH COLUMBIA

Key Food Equipment Service  
Vancouver 604-433-4484

### ONTARIO

R.G. Henderson Ltd.  
Toronto 416-422-5580

## HATCO CORPORATION

P.O. Box 340500, Milwaukee, WI 53234-0500 U.S.A.

(800) 558-0607 (414) 671-6350

Parts & Service Fax (800) 690-2966 Int'l. Fax (414) 671-3976

www.hatcocorp.com