



# Flav-R-Savor<sup>®</sup>

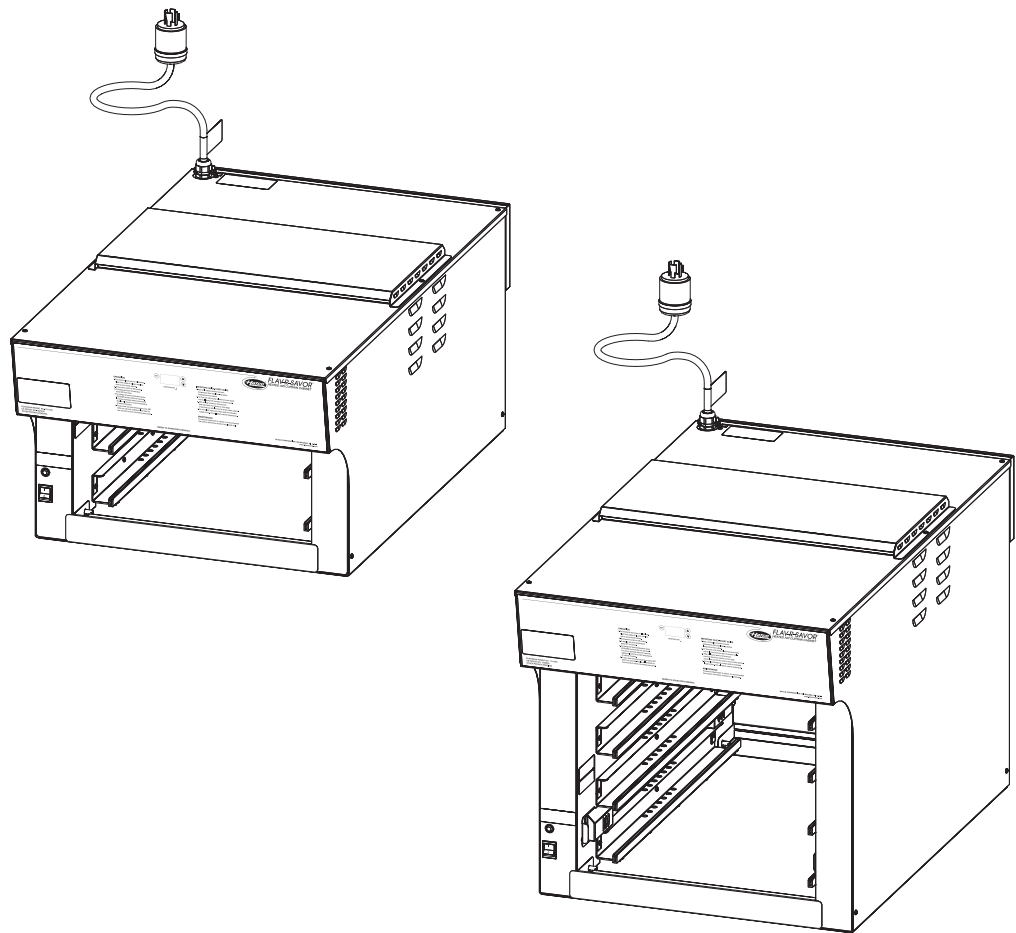
## Heated Air Curtain Cabinets

### *FS2HAC Series*

---

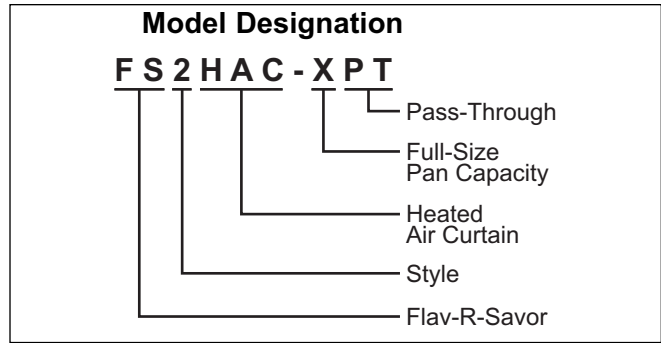
FS2HAC-2PT  
FS2HAC-4PT

---

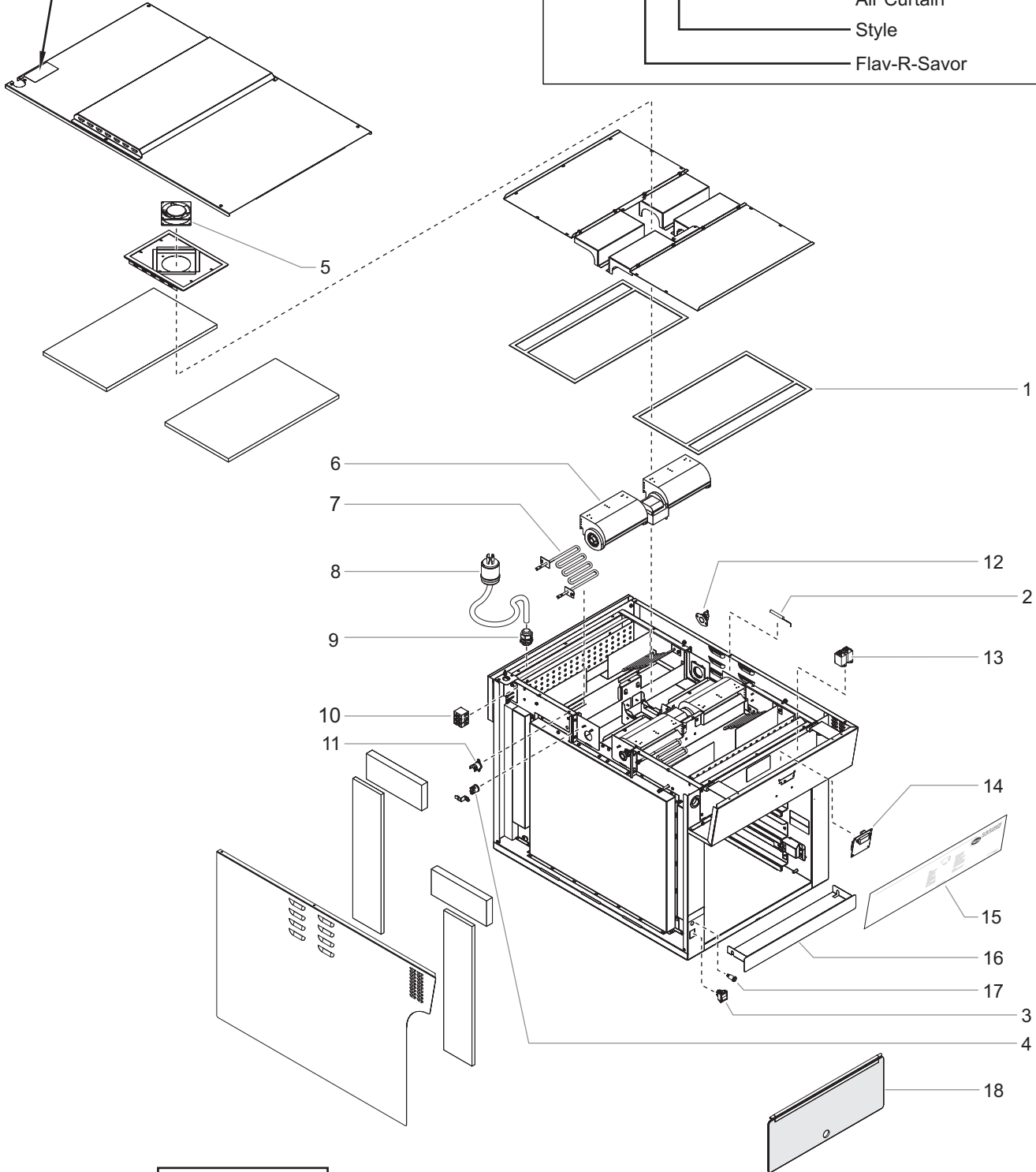


## Replacement Parts List

**HATCO FLAV-R-SAVOR®**  
**HEATED AIR CURTAIN CABINETS**  
**FS2HAC Series**



Specification label with Model and Serial Number information.



**CAUTION**

Use of replacement parts other than those supplied by Hatco Corporation may result in damage to unit or injury to personnel and will void all warranties.



24 Hour 7 Day Parts and Service Assistance available in the United States and Canada by calling 800-558-0607.

## PARTS COMMON TO ALL FS2HAC MODELS

Item	Description	Part Number	Qty.
1	Gasket, Air Chamber	05.06.028.00	◆
2	Temperature Probe–Air *	02.01.145.00	1

Item	Description	Part Number	Qty.
3	ON/OFF Switch	02.19.076.00	1
4	Thermostat, Hi-Limit Safety, 300°F *	R02.16.117.00	1–2

\* Units with Date Code of 1332 and earlier, use the following P/N corresponding with each Item number:

Item 2 = Temperature Probe–Air, P/N 02.01.203.00

Item 4 = Thermostat, Hi-Limit Safety, 250°F, P/N R02.16.118.00

◆ Air Chamber Gasket sold in one foot increments. Unit requires 14' of material.

## VOLTAGE-SPECIFIC PARTS FOR ALL MODELS

Item Description	120/208V 120/240V	220V	240V	220–230 V (CE)	230–240 V (CE)
	Part Number	Part Number	Part Number	Part Number	Part Number
5 Cooling Fan Assembly	02.12.107.00	02.12.107.01	02.12.107.01	02.12.107.01	02.12.107.01
6 Blower Fan Assembly (Qty. 2)	R02.12.086.00	R02.12.114.00	R02.12.114.00	R02.12.114.00	R02.12.114.00
7 Heating Element, Air (Qty. 4)					
2 Pan Models	R02.08.091.00	R02.08.092E.00	R02.08.093E.00	R02.08.092E.00	R02.08.093E.00
4 Pan Models	R02.08.010A.00	R02.08.649.00	R02.08.648.00	R02.08.649.00	R02.08.648.00
8 Power Cord					
NEMA L14-20P	02.18.128.00	---	---	---	---
NEMA 6-20P	---	02.18.111.00	02.18.111.00	---	---
CEE 7/7 Schuko	---	02.18.038.00	---	02.18.038.00	---
BS-1363 (2 Pan Models only)	---	02.18.068.00	---	---	02.18.068.00
CEE17 Blue	---	---	---	02.18.252.00	02.18.252.00
AS 3112	---	---	---	02.18.105.00 †	02.18.105.00
No Plug (4 Pan Models only)	---	02.18.103.00	---	02.18.103.00	02.18.103.00
9 Cord Grip	R02.20.259.00	R02.20.259.00	R02.20.259.00	R02.20.259.00	R02.20.259.00
10 Terminal Block	R02.15.046.00	R02.15.046.00	R02.15.046.00	R02.15.046.00	R02.15.046.00
11 Thermostat, Cooling Fan	R02.16.152.00	R02.16.152.00	R02.16.152.00	R02.16.152.00	R02.16.152.00
12 Thermostat, Pilot Light	02.16.158.00	---	---	---	---
13 Mini Relay *	02.01.088.00	02.01.105.00	02.01.105.00	02.01.105.00	02.01.105.00
14 Electronic Thermostat *	02.01.222C.00	02.01.295C.00	02.01.295C.00	02.01.295C.00	02.01.295C.00
15 Decal, Control Panel	07.01.372.00	07.01.372.00	07.01.372.00	07.01.372.00	07.01.372.00
16 Crumb Tray (Qty. 2)	04.48.079.00	04.48.079.00	04.48.079.00	04.48.079.00	04.48.079.00
17 Pilot Light	02.19.151.00	---	---	---	---
18 Flip-Up Panel Assembly (optional)	R04.12.349.00	R04.12.349.00	R04.12.349.00	R04.12.349.00	R04.12.349.00
Wiring Diagram	10-01-1037	10-01-1036	10-01-1036	10-01-1036	10-01-1036

The shaded areas contain information for **International models only**.

\* Units with Date Code of 1332 and earlier, use the following P/N corresponding with each Item number:

Item 13 = Mini Relay, 24V, P/N 02.01.116.00

Item 14 = Electronic Thermostat, 24V, P/N 02.01.273F.00 (requires Transformer [P/N 02.17.060.00], not shown)

† 220–230 V unit with AS 3112 plug available on 2 Pan Models only.

NOTE: The last four digits in a ten digit numerical serial number are the manufacturing date code.

Example: Serial number 9625060751 has a date code of "0751" which indicates the following: 0751

Week Fifty-One  
Year 2007

# AUTHORIZED PARTS DISTRIBUTORS • AUTORISÉS DISTRIBUTEURS DE PIÈCES

## ALABAMA

Jones McLeod Appl. Svc.  
Birmingham 205-251-0159

## ARIZONA

Service Solutions Group  
Phoenix 602-234-2443

Byassee Equipment Co.  
Phoenix 602-252-0402

## CALIFORNIA

Industrial Electric  
Commercial Parts & Service, Inc.  
Huntington Beach 714-379-7100

Chapman Appl. Service  
San Diego 619-298-7106

P & D Appliance  
Commercial Parts & Service, Inc.  
S. San Francisco 650-635-1900

## COLORADO

Hawkins Commercial Appliance  
Englewood 303-781-5548

## FLORIDA

Whaley Foodservice Repair  
Jacksonville 904-725-7800

3Wire Nass Service Co., Inc.  
Orlando 407-425-2681

B.G.S.I.  
Pompano Beach 954-971-0456

Comm. Appliance Service  
Tampa 813-663-0313

## GEORGIA

TWC Services  
Mableton 770-438-9797

Heritage Service Group  
Norcross 866-388-9837

Southeastern Rest. Svc.  
Norcross 770-446-6177

## HAWAII

Burney's Comm. Service, Inc.  
Honolulu 808-848-1466

Food Equip Parts & Service  
Honolulu 808-847-4871

## ILLINOIS

Parts Town  
Lombard 708-865-7278

Eichenauer Elec. Service  
Decatur 217-429-4229

Midwest Elec. Appl. Service  
Elmhurst 630-279-8000

Cone's Repair Service  
Moline 309-797-5323

## INDIANA

GCS Service  
Indianapolis 317-545-9655

## IOWA

Goodwin Tucker Group  
Des Moines 515-262-9308

## KENTUCKY

Service Solutions Group  
Lexington 859-254-8854

Service Solutions Group  
Louisville 502-451-5411

## LOUISIANA

Chandlers Parts & Service  
Baton Rouge 225-272-6620

## MARYLAND

Electric Motor Service  
Baltimore 410-467-8080

GCS Service  
Silver Spring 301-585-7550

## MASSACHUSETTS

Ace Service Co., Inc.  
Needham 781-449-4220

## MICHIGAN

Bildons Appliance Service  
Detroit 248-478-3320

Commercial Kitchen Service  
Bay City 517-893-4561

Midwest Food Equip. Service  
Grandville 616-261-2000

## MINNESOTA

GCS Service  
Plymouth 800-345-4221

## MISSOURI

General Parts  
Kansas City 816-421-5400

Commercial Kitchen Services  
St. Louis 314-890-0700

Kaemmerlen Parts & Service  
St. Louis 314-535-2222

## NEBRASKA

Anderson Electric  
Omaha 402-341-1414

## NEVADA

Burney's Commercial  
Las Vegas 702-736-0006

Hi. Tech Commercial Service  
N. Las Vegas 702-649-4616

## NEW JERSEY

Jay Hill Repair  
Fairfield 973-575-9145

Service Plus  
Flanders 973-691-6300

## NEW YORK

Acme American Repairs, Inc.  
Brooklyn 718-456-6544

Alpro Service Co.  
Brooklyn 718-386-2515

Appliance Installation  
Buffalo 716-884-7425

Duffy's Equipment Services, Inc.  
Buffalo 800-836-1014

3Wire Northern  
Plattsburgh 800-634-5005

Duffy's Equipment Services, Inc.  
Sauquoit 800-836-1014

J.B. Brady, Inc.  
Syracuse 315-422-9271

## NORTH CAROLINA

Authorized Appliance  
Charlotte 704-377-4501

## OHIO

Akron/Canton Comm. Svc. Inc.  
Akron 330-753-6635

Service Solutions Group  
Cincinnati 513-772-6600

Commercial Parts and Service  
Columbus 614-221-0057

Electrical Appl. Repair Service  
Brooklyn Heights 216-459-8700

E. A. Wichman Co.  
Toledo 419-385-9121

## OKLAHOMA

Hagar Rest. Service, Inc.  
Oklahoma City 405-235-2184

Krueger, Inc.  
Oklahoma City 405-528-8883

## OREGON

Ron's Service, Inc.  
Portland 503-624-0890

## PENNSYLVANIA

Elmer Schultz Services  
Philadelphia 215-627-5401

FAST Comm. Appl. Service  
Philadelphia 215-288-4800

Appliance Installation & Service  
Pittsburgh 412-809-0244

K & D Service Co.  
Harrisburg 717-236-9039

Electric Repair Co.  
Reading 610-376-5444

## RHODE ISLAND

Marshall Electric Co.  
Providence 401-331-1163

## SOUTH CAROLINA

Whaley Foodservice Repair  
W. Columbia 803-791-4420

## TENNESSEE

Camp Electric  
Memphis 901-527-7543

## TEXAS

GCS Service  
Fort Worth 800-433-1804

Armstrong Repair Service  
Houston 713-666-7100

Cooking Equipment Specialist  
Mesquite 888-866-9276

Refrigerated Specialist, Inc.  
Mesquite 888-866-9276

Commercial Kitchen Repair Co.  
San Antonio 210-735-2811

## UTAH

La Monica's Rest. Equip. Service  
Murray 801-263-3221

## VIRGINIA

Daubers  
Norfolk 757-855-4097

Daubers  
Springfield 703-866-3600

## WASHINGTON

3Wire Restaurant Appliance  
Seattle 800-207-3146

## WISCONSIN

A.S.C., Inc.  
Madison 608-246-3160

A.S.C., Inc.  
Milwaukee 414-543-6460

## CANADA

### ALBERTA

Key Food Equipment Service  
Edmonton 780-438-1690

### BRITISH COLUMBIA

Key Food Equipment Service  
Vancouver 604-433-4484

Key Food Equipment Service  
Victoria 250-920-4888

### MANITOBA

Air Rite, Inc.  
Winnipeg 204-895-2300

### NEW BRUNSWICK

EMR Services, Ltd.  
Moncton 506-855-4228

### ONTARIO

R.G. Henderson Ltd.  
Toronto 416-422-5580

Choquette - CKS, Inc.  
Ottawa 613-739-8458

### QUÉBEC

Choquette - CKS, Inc.  
Montreal 514-722-2000

Choquette - CKS, Inc.  
Québec City 418-681-3944

## UNITED KINGDOM

Marren Group  
Northants +44(0)1933 665313

**HATCO CORPORATION**  
P.O. Box 340500  
Milwaukee, WI 53234-0500 U.S.A.  
800-558-0607 414-671-6350  
Parts and Service Fax 800-690-2966  
International Fax 414-671-3976  
partsandservice@hatcocorp.com  
www.hatcocorp.com