



Register Online!
(see page 2)

S'inscrire en ligne!
(voir page 16)



Flav-R-Savor[®]

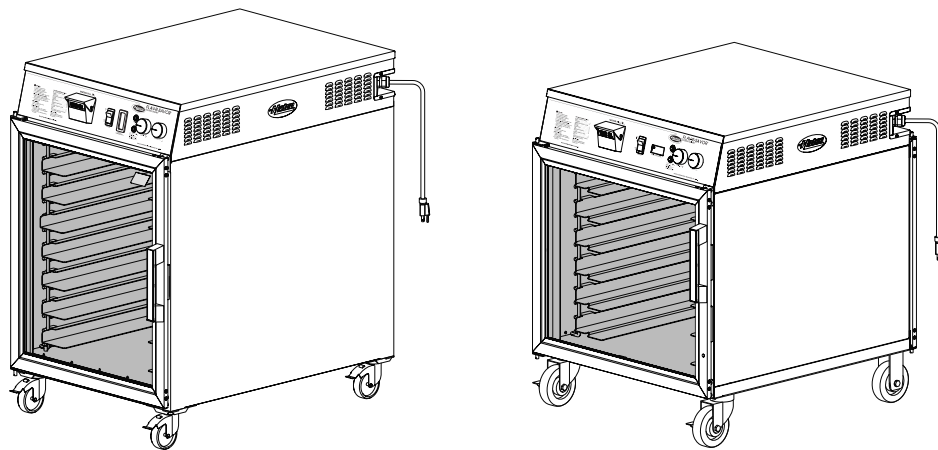
Portable Holding Cabinets

Armoires de conservation portables

FSHC-6W and FSHC-7 Series/Série

Installation and Operating Manual

Manuel d'installation et d'utilisation



⚠ WARNING

Do not operate this equipment unless you have read and understood the contents of this manual! Failure to follow the instructions contained in this manual may result in serious injury or death. This manual contains important safety information concerning the maintenance, use, and operation of this product. If you're unable to understand the contents of this manual, please bring it to the attention of your supervisor. Keep this manual in a safe location for future reference.

English = p 2

⚠ ADVERTENCIA

No opere este equipo al menos que haya leído y comprendido el contenido de este manual! Cualquier falla en el seguimiento de las instrucciones contenidas en este manual puede resultar en un serio lesión o muerte. Este manual contiene importante información sobre seguridad concerniente al mantenimiento, uso y operación de este producto. Si usted no puede entender el contenido de este manual por favor pregunte a su supervisor. Almacenar este manual en una localización segura para la referencia futura.

⚠ AVERTISSEMENT

Ne pas utiliser cet équipement sans avoir lu et compris le contenu de ce manuel ! Le non-respect des instructions contenues dans ce manuel peut entraîner de graves blessures ou la mort. Ce manuel contient des informations importantes concernant l'entretien, l'utilisation et le fonctionnement de ce produit. Si vous ne comprenez pas le contenu de ce manuel, veuillez le signaler à votre supérieur. Conservez ce manuel dans un endroit sûr pour pouvoir vous y référer plus tard.

Français = p 16

Important Owner Information	2	Operation	10
Introduction	2	General	10
Important Safety Information	3	Food Holding Guide	11
Model Description	4	Maintenance	11
Model Designation	4	General	11
Specifications	5	Daily Cleaning.....	12
Plug Configuration	5	Cleaning/Draining the Water Reservoir	12
Electrical Rating Chart.....	5	Removing Lime and Mineral Deposits.....	12
Dimensions	7	Troubleshooting Guide	13
Installation	8	Options and Accessories	14
General	8	Limited Warranty	15
Reversing the Access Door	9	Authorized Parts Distributors	Back Cover

IMPORTANT OWNER INFORMATION

Record the model number, serial number, voltage, and purchase date of the unit in the spaces below (specification label located on the back of the unit). Please have this information available when calling Hatco for service assistance.

Model No. _____

Serial No. _____

Voltage _____

Date of Purchase _____

Register your unit!

Completing online warranty registration will prevent delay in obtaining warranty coverage. Access the Hatco website at www.hatcocorp.com, select the *Parts & Service* pull-down menu, and click on "Warranty Registration".

Business Hours:

7:00 AM to 5:00 PM
Central Standard Time (CST)
(Summer Hours: June to September –
7:00 AM to 5:00 PM CST Monday through Thursday
7:00 AM to 4:00 PM CST Friday)

Telephone: 800-558-0607; 414- 671-6350

E-mail: partsandservice@hatcocorp.com



24 Hour 7 Day Parts and Service Assistance available in the United States and Canada by calling 800-558-0607.

Additional information can be found by visiting our web site at www.hatcocorp.com.

INTRODUCTION

Hatco Flav-R-Savor® Portable Holding Cabinets are designed to hold prepared foods for prolonged periods of time while maintaining that "just-made" quality. They provide the best environment for food products by regulating the air temperature while at the same time balancing the humidity level. The use of controlled, moisturized heat maintains serving temperature and food texture longer than conventional dry holding equipment.

The Flav-R-Savor air flow pattern is designed to maintain consistent cabinet temperature without drying out foods. The precise combination of heat and humidity creates a "blanket" effect around the food. The air flow rate enables the cabinet to rapidly recover temperature after opening and closing the door.

Flav-R-Savor Portable Holding Cabinets are products of extensive research and field testing. The materials used were selected for maximum durability, attractive appearance, and optimum performance. Every unit is inspected and tested thoroughly prior to shipment.

This manual provides the installation, safety, and operating instructions for a Flav-R-Savor Portable Holding Cabinet. Hatco recommends all installation, operating, and safety instructions appearing in this manual be read prior to installation or operation of the unit.

Safety information that appears in this manual is identified by the following signal word panels:



WARNING indicates a hazardous situation which, if not avoided, could result in death or serious injury.



CAUTION indicates a hazardous situation which, if not avoided, could result in minor or moderate injury.



NOTICE is used to address practices not related to personal injury.



Read the following important safety information before using this equipment to avoid serious injury or death and to avoid damage to equipment or property.

WARNING**ELECTRIC SHOCK HAZARD:**

- Plug unit into a properly grounded electrical receptacle of the correct voltage, size, and plug configuration. If plug and receptacle do not match, contact a qualified electrician to determine and install proper voltage and size electrical receptacle.
- Turn OFF power switch, unplug power cord, and allow unit to cool before performing any cleaning, adjustments, or maintenance.
- DO NOT submerge or saturate with water. Unit is not waterproof. Do not operate if unit has been submerged or saturated with water.
- Unit is not weatherproof. Locate unit indoors where ambient air temperature is a minimum of 70°F (21°C).
- This unit is not “jet-proof” construction. Do not use jet-clean spray to clean this unit.
- Do not steam clean or use excessive water on unit.
- Turn power switch OFF and allow unit to cool before draining water reservoir.
- Do not pull unit by power cord.
- Discontinue use if power cord is frayed or worn.
- Do not attempt to repair or replace a damaged power cord. Cord must be replaced by Hatco, an Authorized Hatco Service Agent, or a person with similar qualifications.
- This unit must be serviced by qualified personnel only. Service by unqualified personnel may lead to electric shock or burn.
- Use only Genuine Hatco Replacement Parts when service is required. Failure to use Genuine Hatco Replacement Parts will void all warranties and may subject operators of the equipment to hazardous electrical voltage, resulting in electrical shock or burn. Genuine Hatco Replacement Parts are specified to operate safely in the environments in which they are used. Some aftermarket or generic replacement parts do not have the characteristics that will allow them to operate safely in Hatco equipment.

FIRE HAZARD: Locate unit a minimum of 1” (25 mm) from combustible walls and materials. If safe distances are not maintained, combustion or discoloration could occur.

Make sure food product has been heated to the proper food-safe temperature before placing in unit. Failure to heat food product properly may result in serious health risks. This unit is for holding pre-heated food product only.

Hatco Corporation is not responsible for actual food product serving temperature. It is the responsibility of the user to ensure that food product is held and served at a safe temperature.

WARNING

Make sure all operators have been instructed on the safe and proper use of the unit.

This unit is not intended for use by children or persons with reduced physical, sensory, or mental capabilities. Ensure proper supervision of children and keep them away from the unit.

This unit has no “user-serviceable” parts. If service is required on this unit, contact an Authorized Hatco Service Agent or contact the Hatco Service Department at 800-558-0607 or 414-671-6350.

CAUTION**BURN HAZARD:**

- Some exterior surfaces on unit will get hot. Use caution when touching these areas.
- Turn off unit and allow it to cool before draining water from water reservoir.

Locate unit in an area that is convenient for use. The location should be level to prevent unit or its contents from falling accidentally and strong enough to support the weight of the unit and contents.

Do not overfill water reservoir. Overfilling can cause water to leak onto floor and create a slipping hazard.

Transport unit in upright position only. Make sure all water is drained prior to transport.

NOTICE

Do not lay unit on side with control panel or damage to unit could occur. Make sure all water is drained prior to laying unit on its side.

Use non-abrasive cleaners and cloths only. Abrasive cleaners and cloths could scratch finish of unit, marring its appearance and making it susceptible to soil accumulation.

Use of distilled water in the water reservoir of humidified units is recommended to preserve the life of electrical and mechanical components. If non-distilled water is used, the reservoir will require periodic cleaning and deliming (refer to the MAINTENANCE section for cleaning procedure). Unit failure due to lime or mineral deposits is not covered under warranty.

Do not use deionized or reverse osmosis water. It will shorten the life of the water pan and heating element.

Clean unit daily to avoid malfunctions and maintain sanitary operation.

All Models

The Flav-R-Savor® Portable Holding Cabinet is constructed of sturdy stainless steel and powdercoat painted top, sides and back. It features thermostatically-controlled heat, low velocity convected air, a humidity system, and a large aluminum framed tempered glass door (heavy-duty insulated stainless steel door also available for FSHC-6W1 model). The access door can be hinged left or right, depending on the application. Controls are easily accessible and include a POWER ON/OFF (I/O) switch and a digital temperature display. The unit is made portable by using 4" (102 mm) casters—the front two being swivel casters with wheel locks. Units come standard in silver gray, are available in optional stainless steel or black, and can be configured without a humidity system. An attached 6' (1829 mm) power cord and plug is standard.

A stacking option is available to allow the placement of one unit on top of another. Refer to the OPTIONS AND ACCESSORIES section for details on all available options.

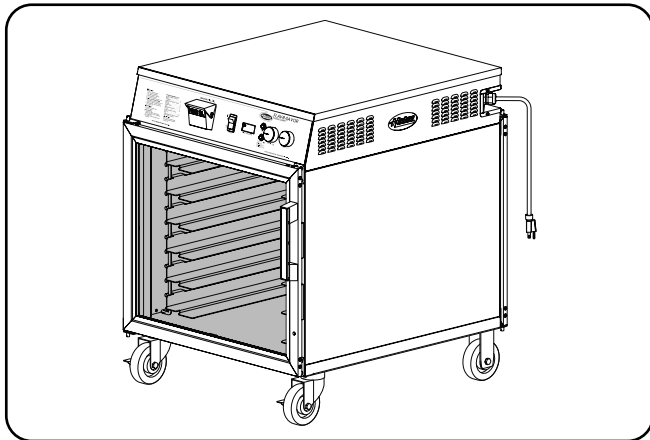
FSHC-6W1 Model

The FSHC-6W1 is a single door model made to fit under lower work counters. The cabinet is equipped with six pairs of angle pan shelves. These pan shelves are designed to hold full size sheet pans, several steam table pan sizes (full, half, and third), and Gastronorm pans.

A non-humidified model is also available. Non-humidified units come with a heavy-duty, vented stainless steel door and a four shelf rack. The non-humidified model is for countertop mounting only and is shipped without casters or legs.

FSHC-6W2 Model

The FSHC-6W2 has all the features of the humidified FSHC-6W1, but is equipped with two doors for pass through operation.



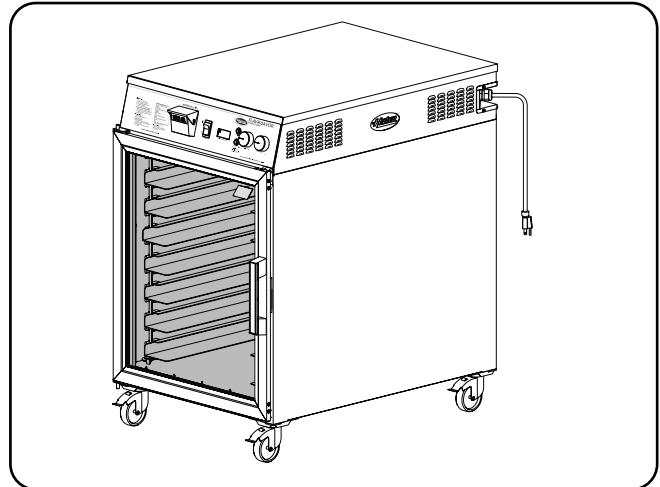
FSHC-6W2 Model

FSHC-7-1 Models

The FSHC-7-1 is a single door model. The cabinet is equipped with seven pairs of angle pan shelves. These pan shelves are designed to hold full size sheet pans, several steam table pan sizes (full, half, and third), and Gastronorm pans.

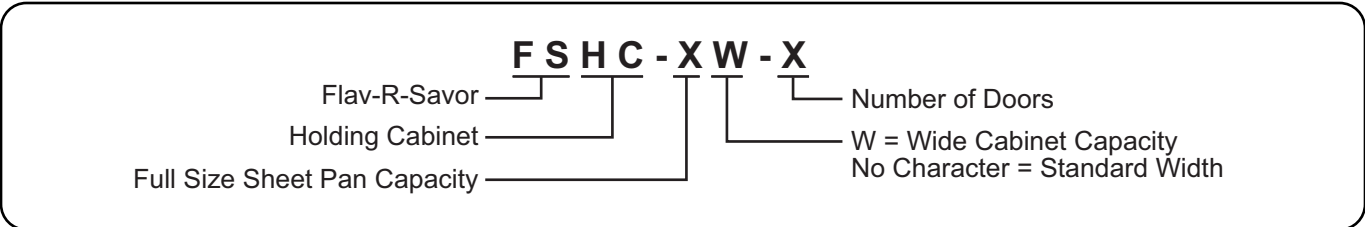
FSHC-7-2 Models

The FSHC-7-2 has all the features of the FSHC-7-1, but is equipped with two doors for pass through operation.



FSHC-7-1 Model

MODEL DESIGNATION



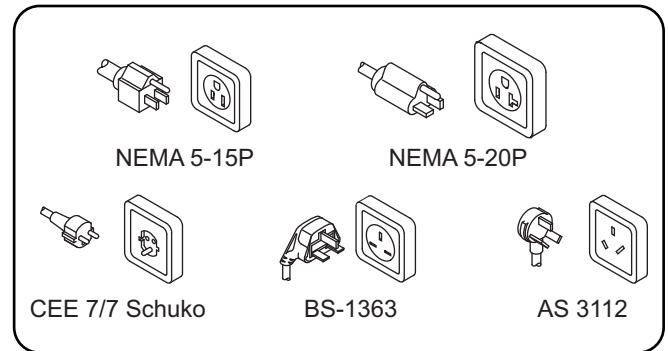
Plug Configuration

Units are supplied from the factory with an electrical cord and plug installed.



ELECTRIC SHOCK HAZARD: Plug unit into a properly grounded electrical receptacle of the correct voltage, size, and plug configuration. If the plug and receptacle do not match, contact a qualified electrician to determine and install the proper voltage and size electrical receptacle.

NOTE: The specification label is located on the back of the unit. See label for serial number and verification of unit electrical information.



Plug Configurations

NOTE: Receptacle not supplied by Hatco.

Electrical Rating Chart — Standard Wattage

Model	Voltage	Watts	Amps	Hertz	Plug Configuration
FSHC-6W1 and FSHC-6W2 (Humidified)	120	1697	14.1	60	NEMA 5-15P*
	220	1697	7.7	50	CEE 7/7 Schuko
	240	1697	7.1	50	BS-1363, AS 3112
	220–230 (CE)	1697–1850	7.7–8.0	50	CEE 7/7 Schuko
	230–240 (CE)	1562–1697	6.8–7.1	50	BS-1363
FSHC-6W1 and FSHC-6W2 (non-Humidified)	120	1097	9.2	60	NEMA 5-15P
FSHC-7-1 and FSHC-7-2 (Humidified)	120	1697	14.1	60	NEMA 5-15P*
	220	1697	7.7	50	CEE 7/7 Schuko
	240	1697	7.1	50	BS-1363, AS 3112
	220–230 (CE)	1697–1850	7.7–8.0	50	CEE 7/7 Schuko
	230–240 (CE)	1562–1697	6.8–7.1	50	BS-1363
FSHC-7-1 and FSHC-7-2 (non-Humidified)	120	1097	9.2	60	NEMA 5-15P
	220	1093	5	50	CEE 7/7 Schuko
	240	1101	4.6	50	BS-1363, AS 3112
	220–230 (CE)	1093–1195	5.0–5.2	50	CEE 7/7 Schuko
	230–240 (CE)	1011–1097	4.4–4.6	50	BS-1363

The shaded areas contain electrical information for **International models only**.

* NEMA 5-20P for Canada.

Shipping Weights

FSHC-6W1: 185 lbs. (84 kg)
 FSHC-6W2: 190 lbs. (86 kg)
 FSHC-7-1: 175 lbs. (79 kg)
 FSHC-7-2: 180 lbs. (82 kg)

Electrical Rating Chart — High Wattage

Model	Voltage	Watts	Amps	Hertz	Plug Configuration
FSHC-6W1 and FSHC-6W2 (Humidified)	220	2047	9.3	50	CEE 7/7 Schuko
	240	2047	8.5	50	BS-1363, AS 3112
	220–230 (CE)	2047–2233	9.3–9.7	50	CEE 7/7 Schuko
	230–240 (CE)	1884–2047	8.2–8.5	50	BS-1363
FSHC-6W1 and FSHC-6W2 (non-Humidified)	120	1440	12	60	NEMA 5-15P*
FSHC-7-1 and FSHC-7-2 (Humidified)	220	2047	9.3	50	CEE 7/7 Schuko
	240	2047	8.5	50	BS-1363, AS 3112
	220–230 (CE)	2047–2233	9.3–9.7	50	CEE 7/7 Schuko
	230–240 (CE)	1884–2047	8.2–8.5	50	BS-1363
FSHC-7-1 and FSHC-7-2 (non-Humidified)	120	1440	12	60	NEMA 5-15P*
	220	1447	6.6	50	CEE 7/7 Schuko
	240	1447	6	50	BS-1363, AS 3112
	220–230 (CE)	1447–1581	6.6–6.9	50	CEE 7/7 Schuko
	230–240 (CE)	1328–1447	5.8–6	50	BS-1363

The shaded areas contain electrical information for **International models only**.

* NEMA 5-20P for Canada.

Shipping Weights

FSHC-6W1: 185 lbs. (84 kg)
 FSHC-6W2: 190 lbs. (86 kg)
 FSHC-7-1: 175 lbs. (79 kg)
 FSHC-7-2: 180 lbs. (82 kg)

Dimensions — FSHC-6W Series

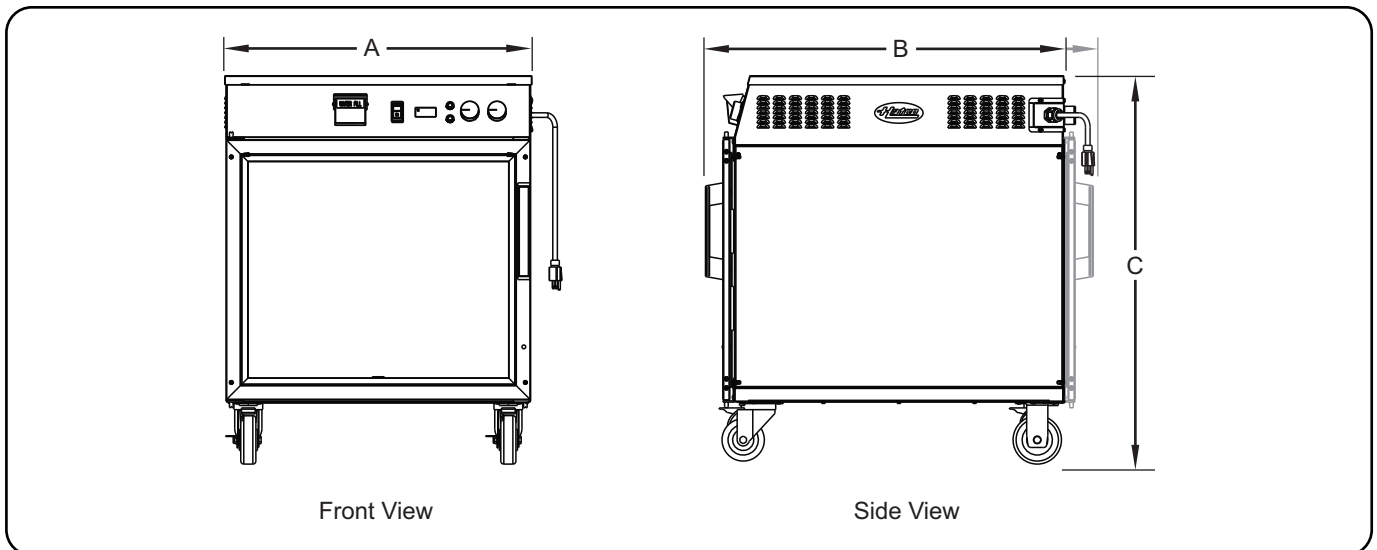
Model	Width (A)	Depth (B)	Height (C)†
FSHC-6W1	25-3/8" (645 mm)	29-5/8" (753 mm)	32-1/8" (816 mm)
FSHC-6W2	25-3/8" (645 mm)	32" (813 mm)	32-1/8" (816 mm)
Interior Capacity Top Surface: 25-3/8" W x 25-7/8" D (645 x 657 mm) Cabinet Opening: 20-7/8" W x 19" H (530 x 483 mm)			

† Includes 4" (102 mm) diameter casters; height is 29-3/4" (756 mm) with low profile casters installed.

Dimensions — FSHC-7 Series

Model	Width (A)	Depth (B)	Height (C)*
FSHC-7-1	22-3/4" (578 mm)	29-5/8" (753 mm)	35-1/8" (892 mm)
FSHC-7-2	22-3/4" (578 mm)	32" (813 mm)	35-1/8" (892 mm)
Interior Capacity Top Surface: 22-3/4" W x 25-7/8" D (578 x 657 mm) Cabinet Opening: 18-1/4" W x 22-1/8" H (464 x 562 mm)			

* Includes 4" (102 mm) diameter casters; height is 32-3/4" (832 mm) with low profile casters installed; height is 34" (864 mm) with 4" (102 mm) legs installed; height is 36" (915 mm) with 6" (152 mm) legs installed.



General

Flav-R-Savor® Portable Holding Cabinets are shipped with most components installed and ready for operation. The following installation instructions must be performed before plugging in and operating the cabinet.



ELECTRIC SHOCK HAZARD: Unit is not weatherproof. Locate the unit indoors where the ambient air temperature is a minimum of 70°F (21°C).

FIRE HAZARD: Locate unit a minimum of 1" (25 mm) from combustible walls and materials. If safe distances are not maintained, combustion or discoloration could occur.



Locate unit in an area that is convenient for use. The location should be level to prevent unit or its contents from falling accidentally and strong enough to support the weight of the unit and contents.

1. Remove the unit from the carton.
2. Remove all loose items shipped inside the cabinet such as the box containing the adjustable pan shelves, the casters/legs, etc...

NOTE: To prevent delay in obtaining warranty coverage, complete online warranty registration. See the IMPORTANT OWNER INFORMATION section for details.

3. Remove tape and protective packaging from all surfaces of the unit.

NOTE: If 4" (102 mm) leg or 6" (152 mm) leg installation is required, refer to the OPTIONS AND ACCESSORIES section in this manual for installation instructions.

4. Install the 4" (102 mm) casters onto the bottom of the cabinet. A low profile caster option is available for the FSHC-6W series—use the same procedure below to install.

NOTICE

Do not lay unit on side with control panel or damage to unit could occur. Make sure all water is drained prior to laying unit on its side.

- a. Carefully lay the unit on its back side. This step requires two people.

NOTE: Place a piece of cardboard between the cabinet and the floor to prevent marring the cabinet finish.

- b. Install the two swivel casters to the front of the unit using four mounting screws (provided). Tighten securely.
- c. Install the two stationary casters to the back of the unit using four mounting screws (provided). Tighten securely.
- d. Return the unit to its upright position. This step requires two people.

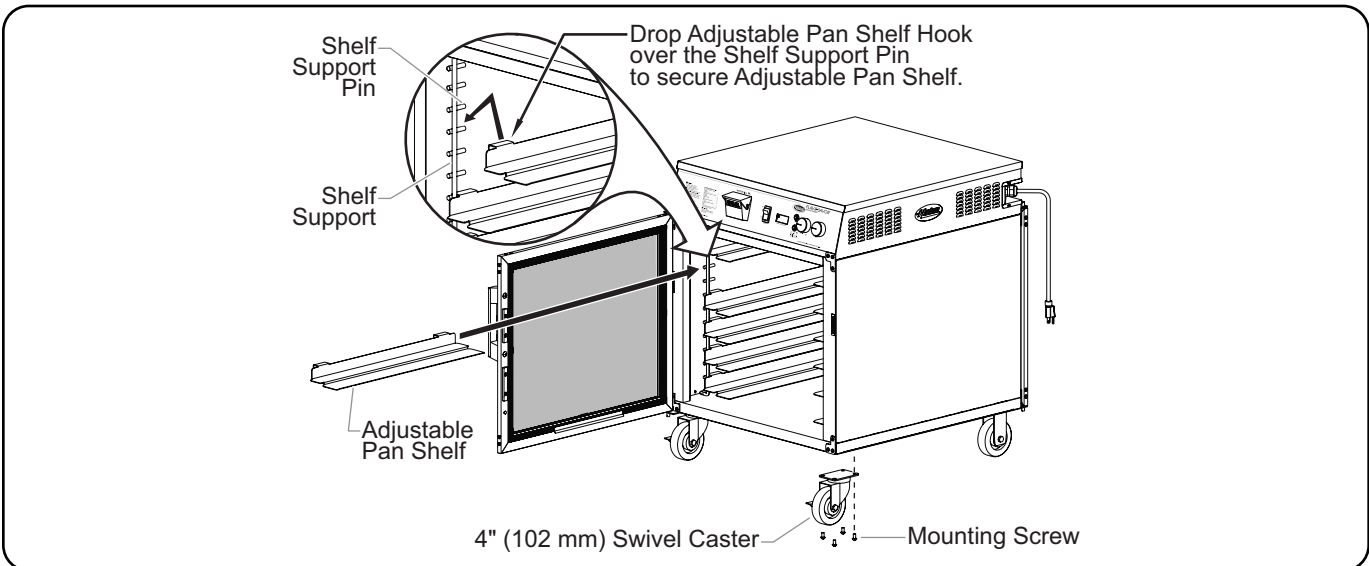
5. Unpack the adjustable pan shelves from the box and install them inside the cabinet. There are twelve or fourteen adjustable pan shelves—half on each side of the cabinet. Four shelf support pins, two on each side of the cabinet, support the pan shelves.

To install each pan shelf:

- a. Align the adjustable pan shelf hooks with the desired slots on the front and rear shelf supports.
- b. Drop the adjustable shelf hooks on top of the desired shelf support pin on each end of the shelf supports.

6. Place the unit in the desired location.

- Locate the unit in an area where the ambient air temperature is constant and a minimum of 70°F (21°C). Avoid areas that may be subject to active air movements or currents (i.e., near exhaust fans/hoods, exterior doors, and air conditioning ducts).
- Make sure the unit is located on solid, level flooring.
- Make sure the unit is at the proper height in an area convenient for use.

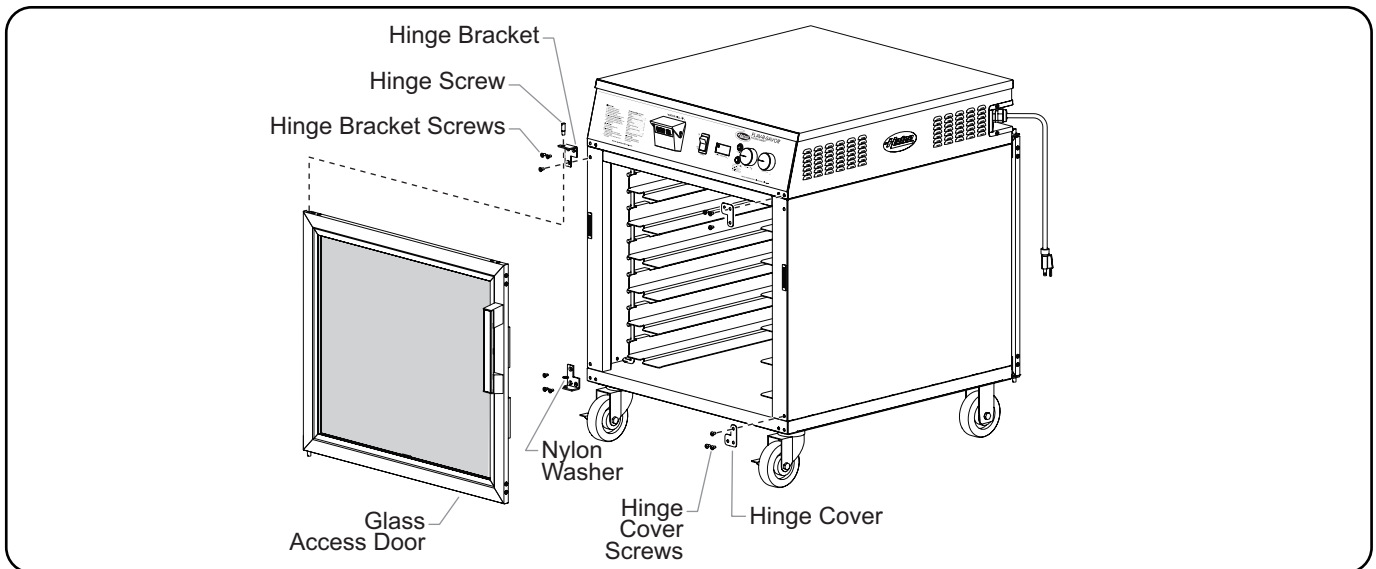


Installing the Components

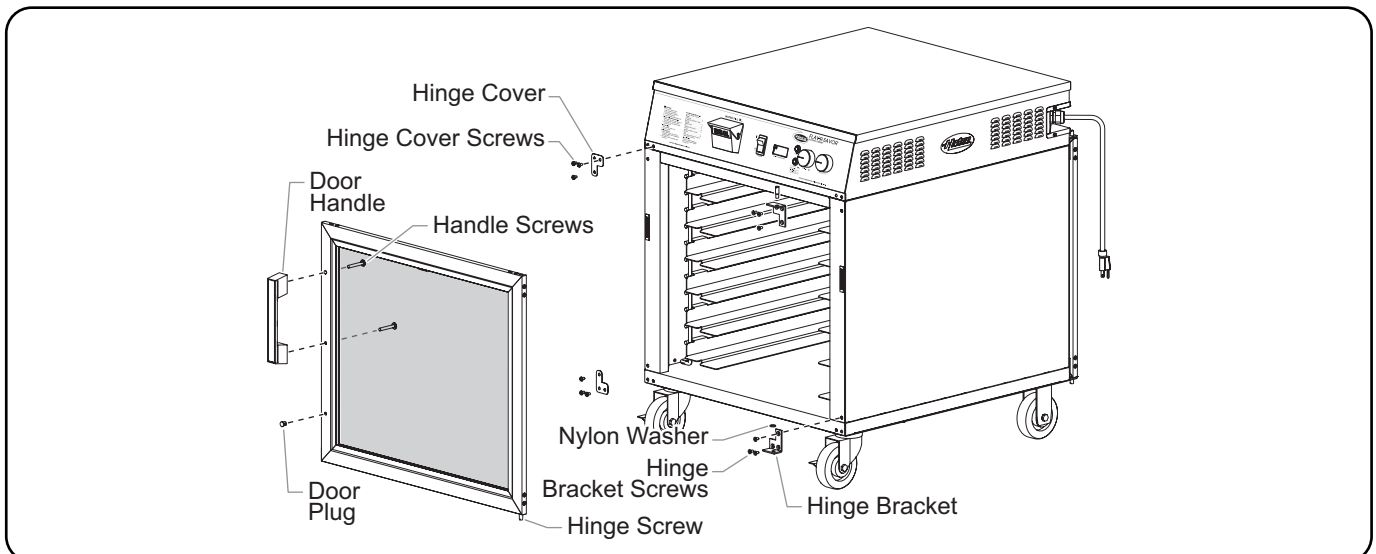
Reversing the Access Door

Doors are shipped from the factory hinged on the left side of the cabinet, opening from the right. Use the following procedure to reverse the door to open from the left.

1. Remove the top hinge screw.
 2. Tip the door forward (away from cabinet) and lift gently to clear the bottom hinge bracket. Make sure to locate and save the nylon washer.
 3. Reinstall the hinge screw that was removed in the first step.
 4. Remove the hinge bracket screws securing each hinge bracket to the cabinet.
 5. Remove the hinge cover screws and hinge cover from the right side of the cabinet and install them into the left-side screw holes.
 6. Reinstall the hinge bracket on the right side of cabinet.
 7. Rotate the door 180°.
 8. Remove the hinge screw from the end of the door now at the top.
 9. Place the door assembly into the bottom hinge bracket.
- NOTE: Nylon washer must be installed between the door and the bottom hinge bracket.*
10. Tip/tilt the door assembly towards the cabinet and align the door top with the hinge bracket. Reinstall the top hinge screw through the top hinge bracket and into the door. Tighten securely.
 11. Remove the door handle by removing the door handle screws from the backside of the door.
 12. Remove the door plug from the top hole of the door.
 13. Install the door plug into the bottom hole of the door by pressing firmly.
 14. Install the handle by aligning the screw holes on the handle to the screws in the top two holes of the door.



Removing the Access Door



Reversing and Installing the Access Door

General

Use the following procedures to operate a Flav-R-Savor® Portable Holding Cabinet.



WARNING

Read all safety messages in the **IMPORTANT SAFETY INFORMATION** section before operating this equipment.

Startup

1. Plug the unit into a properly grounded electrical receptacle of the correct voltage, size, and plug configuration. See the SPECIFICATIONS section for details.
2. Move the POWER ON/OFF (I/O) switch to the ON (I) POSITION. The heating system will start up.
 - The CABINET TEMPERATURE monitor will show the current temperature of the cabinet.
 - The LOW WATER indicator will illuminate until the water reservoir is filled.



CAUTION

BURN HAZARD: Some exterior surfaces on the unit will get hot. Use caution when touching these areas.



NOTICE

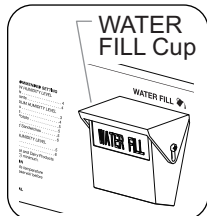
Use of distilled water in the water reservoir of humidified units is recommended to preserve the life of electrical and mechanical components. If non-distilled water is used, the reservoir will require periodic cleaning and deliming (refer to the MAINTENANCE section for cleaning procedure). Unit failure due to lime or mineral deposits is not covered under warranty.

Do not use deionized or reverse osmosis water. It will shorten the life of the water pan and heating element.

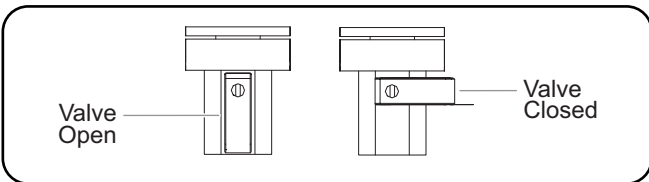
NOTE: Unit failure caused by deionized or reverse osmosis water is not covered by warranty.

3. On humidified units, fill the water reservoir with clean water. To fill the reservoir:

- a. Verify drain valve is in closed position.
- b. Lift up the WATER FILL cup cover and pull forward.
- c. Slowly pour the water into the cup until the LOW WATER indicator no longer illuminates.



NOTE: On the initial fill, the water reservoir capacity is 80 ounces or 2-1/2 quarts (2.3 liters).

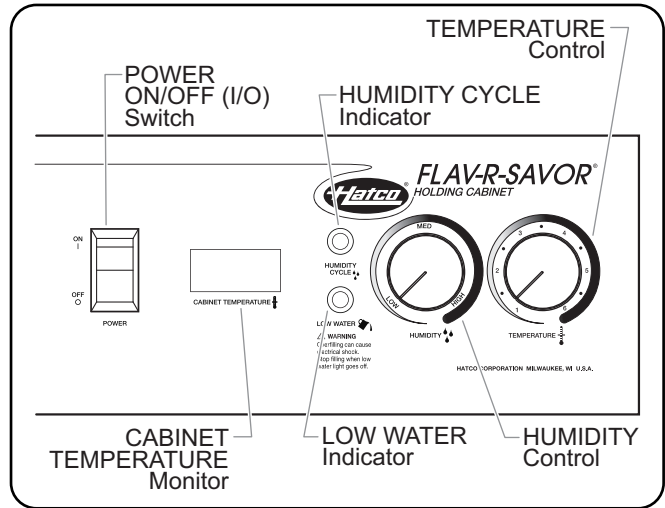


Drain Valve Positions



WARNING

Do not overfill water reservoir. Overfilling can cause electrical shock.



Controls

4. On humidified units, set the HUMIDITY Control to the desired level. See the "Food Holding Guide" for recommendations.
 - The HUMIDITY CYCLE indicator will illuminate until the interior of the cabinet reaches the selected humidity setting.

The reservoir capacity permits uninterrupted operation for approximately 4-8 hours, depending on the settings and how frequently the door is opened. When the red Low Water Indicator is lit, add water to the reservoir. The water reservoir refill capacity is approximately 48 ounces (1.5 liters). **WARNING! Electric Shock Hazard—Do not overfill water reservoir.**

5. Set the TEMPERATURE Control to the desired temperature. See the "Food Holding Guide" for recommendations.
6. Allow 30 minutes to preheat the cabinet with a full pan of water before loading preheated food product.
 - The CABINET TEMPERATURE Monitor shows the current temperature inside the cabinet.

NOTE: Temperature and humidity settings may vary depending upon product make-up and consistency. The cabinet temperature indicator displays the lowest temperature point inside the cabinet, not the product temperature.

NOTE: FSHC-7 Series units can be factory equipped with an optional audible Low Water alarm. Add water to the reservoir until the alarm shuts off.



WARNING

Make sure food product has been heated to the proper food-safe temperature before placing in unit. Failure to heat food product properly may result in serious health risks. This unit is for holding pre-heated food product only.

Shutdown

1. Move the POWER ON/OFF (I/O) Switch to the OFF (O) position and allow the unit to cool.
2. Perform the "Daily Cleaning" procedure in the MAINTENANCE section of this manual.

Food Holding Guide

Type of Food	Maximum Holding Time	Humidity Setting	Air Temperature Setting	
			°F	°C
Bagels	3 Hours	Low	140	60
Biscuits	2 Hours	Medium	130	54
Chicken (Pieces)	5 Hours	High	175	79
Chicken (Whole)	2 Hours	High	180	82
Croissants	3 Hours	Low	140	60
Fish	1 Hour	Medium	180	82
Frankfurters	2 Hours	High	185	85
Fruit Pies	3-1/2 Hours	Medium	140	60
Hot Dogs (Appetizers)	4 Hours	High	175	79
Onion Rings	1 Hour	Low	140	60
Pizza	1 Hour	Medium	185	85
Pretzels	3 Hours	Medium	140	60
Ribs	2 Hours	High	185	85
Wrapped Sandwiches	2 Hours	Medium	160	71

NOTE: All times and settings are recommendations only and may vary depending on product preparation, cooking time, and internal food temperature.

MAINTENANCE

General

Flav-R-Savor Portable Holding Cabinets are designed for maximum durability and performance with minimum maintenance.

WARNING

ELECTRIC SHOCK HAZARD:

- Turn OFF power switch, unplug power cord, and allow unit to cool before performing any cleaning, adjustments, or maintenance.
- DO NOT submerge or saturate with water. Unit is not waterproof. Do not operate if unit has been submerged or saturated with water.
- Unit is not weatherproof. Locate unit indoors where ambient air temperature is a minimum of 70°F (21°C).
- This unit is not “jet-proof” construction. Do not use jet-clean spray to clean this unit.
- Do not steam clean or use excessive water on unit.
- Do not clean unit when it is energized or hot.
- This unit must be serviced by qualified personnel only. Service by unqualified personnel may lead to electric shock or burn.

WARNING

This unit has no “user-serviceable” parts. If service is required on this unit, contact an Authorized Hatco Service Agent or contact the Hatco Service Department at 800-558-0607 or 414-671-6350.

NOTE: The internal blower motor is permanently lubricated and requires no maintenance.

NOTICE

Use non-abrasive cleaners and cloths only. Abrasive cleaners and cloths could scratch finish of unit, marring its appearance and making it susceptible to soil accumulation.

Clean unit daily to avoid malfunctions and maintain sanitary operation.

Daily Cleaning

To preserve the finish of the unit as well as maintain performance, it is recommended that the unit be cleaned daily.

1. Move the POWER ON/OFF (I/O) switch to the OFF (O) position and unplug the power cord. Allow the unit to cool.
2. Remove and wash all food pans.
3. For humidified units, drain and clean the water reservoir. Refer to the "Cleaning/Draining the Water Reservoir" procedure in this section.
4. Wipe down all the interior and the exterior surfaces using a clean, damp cloth. Stubborn stains may be removed with a good non-abrasive cleaner. Hard to reach areas should be cleaned with a small brush and mild soap.
5. Wipe dry with a clean, non-abrasive cloth.

Cleaning/Draining the Water Reservoir

On humidified units, the water reservoir must be drained for daily cleaning, before moving the cabinet, and during the "Removing Lime and Mineral Deposits" procedure.

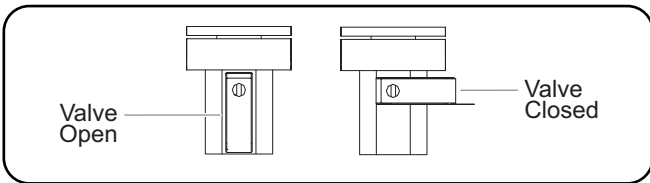


WARNING

ELECTRIC SHOCK HAZARD: Turn OFF power switch, unplug power cord, and allow unit to cool before performing any cleaning, adjustments, or maintenance.

1. Move the POWER ON/OFF (I/O) switch to the OFF (O) position and unplug the power cord. Allow the unit to cool.
2. Locate the valve inside the cabinet on the underside of the ceiling sheet. **CAUTION: Burn Hazard—Ceiling sheet and water in reservoir are hot during operation. Allow to cool before draining.**
3. Position a one gallon (four liter) container under the valve.
4. Turn the valve handle from the horizontal position (closed) to the vertical position (open) to drain the reservoir.
5. Once the reservoir is empty, return the valve handle to the closed position.

NOTE: If the water used has an excessive amount of lime or mineral content, follow the "Removing Lime and Mineral Deposits" procedure for periodic cleaning and deliming of the water reservoir. Unit failure caused by liming or sediment buildup is not covered under warranty.



Draining the Water Reservoir

Removing Lime and Mineral Deposits

Use the following procedure for periodic cleaning and deliming of the water reservoir on humidified models.

NOTE: The lime and mineral content of the water used for daily operation will determine how often the deliming procedure must be performed.

NOTE: Perform this procedure when the unit will not be used for a period of time, such as the end of the day.

1. Move the POWER ON/OFF (I/O) switch to the OFF (O) position and unplug the power cord. Allow the unit to cool.
2. After the unit has cooled down, perform the "Draining the Water Reservoir" procedure in this section.
3. Fill the water reservoir with a mixture of 75% water and 25% white vinegar. Do not use flavored vinegar.
4. Plug in and turn on the unit.
5. Set both the temperature and humidity controls to their highest settings and allow the unit to run for 30 minutes.
6. Move the POWER ON/OFF (I/O) switch to the OFF (O) position and unplug the power cord. Allow the unit to cool.
7. Perform the "Draining the Water Reservoir" procedure to empty the deliming solution from the water reservoir.
8. Continue to fill and drain the water reservoir with clean water until the deliming solution is rinsed through and the reservoir is clean.
9. Plug the unit into its power source and fill the reservoir as usual for daily operation. Refer to the procedure in the OPERATION section of this manual.



This unit must be serviced by trained and qualified personnel only. Service by unqualified personnel may lead to electric shock or burn.



ELECTRIC SHOCK HAZARD: Turn OFF power switch, unplug power cord, and allow unit to cool before performing any cleaning, adjustments, or maintenance.

Symptom	Probable Cause	Corrective Action
Unit is plugged in, but nothing works.	Unit not turned on.	Move POWER ON/OFF (I/O) switch to the ON (I) position.
	No power to unit.	Check electrical receptacle and verify that power supply matches specifications on unit. If receptacle is not working, check circuit breaker and reset, or plug unit into a different known working receptacle.
	Tripped circuit breaker.	Check circuit breaker and reset, if tripped.
	Power cord is damaged.	Contact Authorized Service Agent or Hatco for assistance.
	Defective POWER ON/OFF (I/O) switch.	Contact Authorized Service Agent or Hatco for assistance.
Unit operates, but is not circulating air inside cabinet.	Blower motor defective.	Contact Authorized Service Agent or Hatco for assistance.
	Incorrect voltage supplied to blower motor.	Contact Authorized Service Agent or Hatco for assistance.
Unit is not producing any "hot air" inside cabinet.	Incorrect voltage supplied to heating element.	Contact Authorized Service Agent or Hatco for assistance.
	Blower motor not working.	Contact Authorized Service Agent or Hatco for assistance.
	Air heating element(s) defective.	Contact Authorized Service Agent or Hatco for assistance.
Unit is producing erratic temperatures inside cabinet.	Air thermostat control is defective.	Contact Authorized Service Agent or Hatco for assistance.
	Air down tube is not connected/removed.	Reconnect/Install air down tube. Contact Authorized Service Agent or Hatco for assistance.
Unit is heating, but is not producing humidity inside cabinet. Low water light is OFF and unit is full of water.	Water heating element is defective.	Contact Authorized Service Agent or Hatco for assistance.
	Humidity thermostat control is set too low.	Adjust humidity control to higher setting.
	Humidity thermostat control defective.	Contact Authorized Service Agent or Hatco for assistance.
Unit is heating, but is not producing humidity inside cabinet. Low water light is ON, but unit is full of water.	Water level sensor defective.	Contact Authorized Service Agent or Hatco for assistance.

Troubleshooting Questions?

If you continue to have problems resolving an issue, please contact the nearest Authorized Hatco Service Agency or Hatco for assistance. To locate the nearest Service Agency, log onto the Hatco website at www.hatcocorp.com and click on Find Service Agent, or contact the **Hatco Parts and Service Team** at:

Telephone: 800-558-0607 or 414-671-6350

e-mail: partsandservice@hatcocorp.com

Installing Legs

Use the following procedure to install optional 4" (102 mm) or 6" (152 mm) legs.

1. Remove the pan shelves and drain the water reservoir, if necessary.
2. Carefully lay the unit on its back side. This step requires two people.

NOTE: Place a piece of cardboard between the cabinet and the floor to prevent marring the cabinet finish.

3. Remove the mounting screws and casters on each corner of the unit, if installed.
4. Reinstall the mounting screws at each corner directly into the bottom of the unit. They are not needed for leg installation.
5. Screw the legs to the bottom of the unit. Tighten securely.
6. Return the unit to its upright position. This step requires two people.
7. Replace the pan shelves inside the cabinet.
8. Level the unit after it is placed in its final position. The feet on the legs are adjustable for leveling.
9. Refill the water reservoir.

Stacking Option

A stacking option is available for stacking one unit on top of another. The stacking option requires the purchase of an additional unit with a stacking bracket and hardware to secure the top unit to the bottom unit.

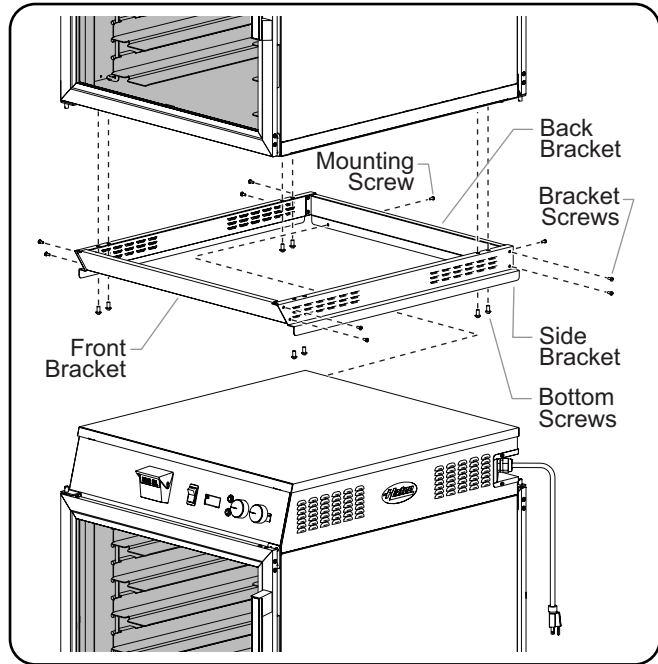
NOTE: Casters are required on stacked units.

1. Make sure the bottom unit is completely assembled with casters installed. Refer to the appropriate procedure in either the INSTALLATION section or the OPTIONS AND ACCESSORIES section.
2. Remove the pan shelves from inside each cabinet and drain the water reservoirs, if necessary.
3. Carefully lay the top unit on its side (this step requires at least two people).

NOTE: Place a piece of cardboard between the cabinet and the floor to prevent marring the cabinet finish.

4. Attach the stacking bracket to the underside of the top unit.
 - a. Position the bracket so that the flange without screw holes is toward the front and the flange with two screw holes is toward the back.
 - b. Screw four bracket screws on each end of the side brackets to secure the side brackets to the front and back bracket.
 - c. At each corner of the side brackets, screw the bottom screws through the underside of the bracket and into the underside of the unit (eight screws total, supplied with kit). Tighten securely.
5. Remove and discard the two screws in the rear of the top cover of the bottom unit.

6. Carefully lift and place the top unit onto the bottom unit (this step requires at least two people). The flanges on the stacking bracket will fit around the front, sides, and back of the bottom unit. **CAUTION! Do not lift unit by stacking bracket. Bracket has edges that may cause injury.**
7. Align the holes in the back flanges of the stacking bracket with the holes in the back of the top cover on the bottom unit.
8. Install the two mounting screws (supplied with kit) through the holes in the back flanges of the stacking bracket and into the holes in the back of the top cover on the bottom unit. Tighten securely.
9. Replace the pan shelves inside each cabinet.
10. Refill the water reservoir.



Stacking two units

Stainless Steel Door (FSHC-6W Series Only)

The optional heavy duty stainless steel door is not available for retrofit.

Pan Shelves

Additional stainless steel pan shelves are available as accessories. Use additional pan shelves to increase the pan capacity of the unit when the height of the pans/product allow.

1. PRODUCT WARRANTY

Hatco warrants the products that it manufactures (the "Products") to be free from defects in materials and workmanship, under normal use and service, for a period of one (1) year from the date of purchase when installed and maintained in accordance with Hatco's written instructions or 18 months from the date of shipment from Hatco. Buyer must establish the Product's purchase date by registering the Product with Hatco or by other means satisfactory to Hatco in its sole discretion.

Hatco warrants the following Product components to be free from defects in materials and workmanship from the date of purchase (subject to the foregoing conditions) for the period(s) of time and on the conditions listed below:

a) One (1) Year Parts and Labor PLUS One (1) Additional Year Parts-Only Warranty:

Conveyor Toaster Elements (metal sheathed)
 Drawer Warmer Elements (metal sheathed)
 Drawer Warmer Drawer Rollers and Slides
 Strip Heater Elements (metal sheathed)
 Display Warmer Elements (metal sheathed air heating)
 Holding Cabinet Elements (metal sheathed air heating)
 Heated Well Elements — HW and HWB Series
 (metal sheathed)

b) Two (2) Year Parts and Labor Warranty:

Induction Ranges

c) One (1) Year Parts and Labor PLUS Four (4) Years Parts-Only Warranty:

3CS and FR Tanks

d) One (1) Year Parts and Labor PLUS Nine (9) Years Parts-Only Warranty on:

Electric Booster Heater Tanks
 Gas Booster Heater Tanks

e) Ninety (90) Day Parts-Only Warranty:

Replacement Parts

THE FOREGOING WARRANTIES ARE EXCLUSIVE AND IN LIEU OF ANY OTHER WARRANTY, EXPRESSED OR IMPLIED, INCLUDING BUT NOT LIMITED TO ANY IMPLIED WARRANTY OF MERCHANTABILITY OR FITNESS FOR A PARTICULAR PURPOSE OR PATENT OR OTHER INTELLECTUAL PROPERTY RIGHT INFRINGEMENT. Without limiting the generality of the foregoing, SUCH WARRANTIES DO NOT COVER: Coated incandescent light bulbs, fluorescent lights, heat lamp bulbs, coated halogen light bulbs, halogen heat lamp bulbs, xenon light bulbs, LED light tubes, glass components, and fuses; Product failure in booster tank, fin tube heat exchanger, or other water heating equipment caused by liming, sediment buildup, chemical attack, or freezing; or Product misuse, tampering or misapplication, improper installation, or application of improper voltage.

2. LIMITATION OF REMEDIES AND DAMAGES

Hatco's liability and Buyer's exclusive remedy hereunder will be limited solely, at Hatco's option, to repair or replacement using new or refurbished parts or Product by Hatco or a Hatco-authorized service agency (other than where Buyer is located outside of the United States, Canada, United Kingdom, or Australia, in which case Hatco's liability and Buyer's exclusive remedy hereunder will be limited solely to replacement of part under warranty) with respect to any claim made within the applicable warranty period referred to above. Hatco reserves the right to accept or reject any such claim in whole or in part. In the context of this Limited Warranty, "refurbished" means a part or Product that has been returned to its original specifications by Hatco or a Hatco-authorized service agency. Hatco will not accept the return of any Product without prior written approval from Hatco, and all such approved returns shall be made at Buyer's sole expense. HATCO WILL NOT BE LIABLE, UNDER ANY CIRCUMSTANCES, FOR CONSEQUENTIAL OR INCIDENTAL DAMAGES, INCLUDING BUT NOT LIMITED TO LABOR COSTS OR LOST PROFITS RESULTING FROM THE USE OF OR INABILITY TO USE THE PRODUCTS OR FROM THE PRODUCTS BEING INCORPORATED IN OR BECOMING A COMPONENT OF ANY OTHER PRODUCT OR GOODS.

Informations Importantes pour le Propriétaire	16	Mode d'emploi	24
Introduction	16	Généralités.....	24
Consignes de Sécurité Importantes	17	Guide de conservation des aliments	25
Description du Modèle	18	Maintenance	25
Désignation du Modèle	18	Généralités.....	25
Caractéristiques Techniques	19	Nettoyage quotidien.....	26
Configuration des fiches	19	Nettoyage/Vidange du réservoir d'eau	26
Tableau des valeurs nominales électriques.....	19	Retrait des dépôts de chaux et de minéraux.....	26
Dimensions	21	Guide de Dépannage	27
Installation	22	Options et Accessoires	28
Généralités.....	22	Garantie Limitée	29
Inversion de la porte d'accès.....	23	Autorisés Distributeurs de Pièces	Couverture Arrière

INFORMATIONS IMPORTANTES POUR LE PROPRIÉTAIRE

Noter le numéro de modèle, le numéro de série (étiquette de spécification située à l'arrière de l'appareil), le voltage et la date d'achat de votre appareil ci-dessous. Veuillez avoir cette information à portée de la main si vous appelez Hatco pour assistance.

Modèle No. _____

Numéro de série _____

Voltage _____

Date d'achat _____

Enregistrez votre appareil!

Remplissez la garantie en ligne pour éviter les retards pour faire jouer la garantie. Accédez au site Web Hatco www.hatcocorp.com, sélectionnez le menu déroulant Parts & Service, puis cliquez sur Warranty Registration.

Horaires

ouvrables : 7h00 à 17h00
 Heure du Centre des États-Unis (CST)
 (Horaires d'été : juin à septembre—
 7h00 à 17h00 CST du lundi au jeudi
 7h00 à 16h00 CST le vendredi)

Téléphone : 800-558-0607; 414-671-6350

Courriel : partsandservice@hatcocorp.com



Service d'assistance et de pièces de rechange disponible 7j/7, 24h/24 aux États-Unis et au Canada en composant le 800-558-0607.

Des renseignements supplémentaires sont disponibles sur notre site Web à www.hatcocorp.com.

INTRODUCTION

Les armoires de conservation portables Hatco Flav-R-Savor® sont conçues pour conserver des aliments préparés pendant de longues périodes tout en préservant la qualité d'un « produit frais ». Elles offrent le meilleur environnement pour les aliments car elles régulent la température de l'air tout en équilibrant simultanément le niveau d'humidité. L'utilisation d'une chaleur humide et contrôlée permet de maintenir la température de service et de préserver la texture des aliments plus longtemps qu'avec un équipement traditionnel de conservation des aliments au sec.

Le schéma de flux d'air Flav-R-Savor est conçu pour maintenir une température constante dans l'armoire sans assécher les aliments. L'association précise de la chaleur et l'humidité crée un effet « couverture » autour de l'aliment. Le débit d'air permet à la vitrine de retrouver rapidement sa température initiale après ouverture et fermeture de la porte.

Les armoires de conservation portables Flav-R-Savor ont fait l'objet de nombreuses recherches et de tests sur le terrain. Les matériaux utilisés ont été sélectionnés pour une durabilité maximale, un aspect esthétique et une performance optimale. Chaque appareil est soigneusement inspecté et testé avant expédition.

Ce manuel fournit des instructions concernant l'installation, la sécurité et le fonctionnement de l'armoire de conservation portable Flav-R-Savor. Il est recommandé de lire toutes les instructions d'installation, de sécurité et de fonctionnement contenues dans ce manuel avant d'installer et d'utiliser le Flav-R-Savor.

Les consignes de sécurité qui apparaissent dans ce manuel sont identifiées par les mots indicateurs suivants :

AVERTISSEMENT

AVERTISSEMENT indique une situation dangereuse qui, si elle n'est pas évitée, peut provoquer la mort ou des blessures graves.

ATTENTION

ATTENTION indique une situation dangereuse qui, si elle n'est pas évitée, peut provoquer des blessures légères ou moyennes.

AVIS

AVIS est utilisé pour des questions sans rapport avec des blessures corporelles.



Lisez l'information de sécurité importante suivante avant d'utiliser cet équipement pour éviter des dommages ou la mort sérieux et pour éviter d'endommager l'équipement ou la propriété.

⚠ AVERTISSEMENT

DANGER DE DÉCHARGE ÉLECTRIQUE:

- Brancher l'appareil sur une prise de courant avec terre de tension, de format et de configuration des broches corrects. Si la fiche et la prise ne se correspondent pas, s'adresser à un électricien qualifié pour déterminer et installer une prise de courant de format et de tension corrects.
- Mettez l'unité hors tension depuis l'interrupteur, débranchez le cordon d'alimentation et laissez l'unité refroidir avant d'effectuer tout nettoyage, tout réglage ou tout entretien.
- NE PAS immerger l'appareil ni le saturer d'eau. L'appareil n'est pas étanche à l'eau. Ne pas le faire fonctionner s'il a été immergé ou saturé d'eau.
- L'appareil n'est pas à l'épreuve des intempéries. Placer l'appareil à l'intérieur à une température ambiante de 21°C (70°F) minimum.
- Cet appareil n'est pas étanche aux jets. Ne pas utiliser de jet sous pression pour nettoyer l'appareil.
- Ne pas nettoyer à la vapeur ni utiliser trop d'eau sur l'appareil.
- Mettre le contacteur d'alimentation en position OFF et laisser l'appareil se refroidir avant de vidanger le réservoir d'eau.
- Ne pas tirer l'appareil par son cordon électrique.
- Ne pas utiliser l'appareil si le cordon est endommagé ou usé.
- Ne pas tenter de réparer ni de changer un cordon électrique endommagé. Ce cordon doit être changé par Hatco, par un réparateur Hatco agréé ou par une personne de qualifications comparables.
- La réparation de cet appareil doit être confiée exclusivement à du personnel qualifié. Les réparations par des personnes non qualifiées peuvent provoquer des décharges électriques et des brûlures.
- Utilisez uniquement des pièces de rechange d'origine Hatco lorsque l'entretien est nécessaire. Utilisez des pièces détachées Hatco authentiques sous peine d'annuler toutes les garanties et d'exposer l'utilisateur à des tensions électriques dangereuses pouvant entraîner une électrocution ou des brûlures. Les pièces de rechange authentiques Hatco sont spécifiées pour fonctionner en toute sécurité dans les environnements dans lesquels elles sont utilisées. Certaines pièces de rechange génériques ou d'après-vente n'ont pas les caractéristiques qui leur permettent d'opérer en toute sécurité dans les équipements Hatco.

DANGER D'INCENDIE : Placer l'appareil à un minimum de 25 mm (1") des parois et matières combustibles. Si une distance sûre n'est pas maintenue, la chaleur peut provoquer une combustion ou une altération de couleur.

Assurez-vous que la nourriture a été chauffée à une température adaptée à une alimentation saine avant de la placer dans l'appareil. Le non-chauffage des aliments à une température appropriée peut poser un grand risque pour la santé. Cet appareil n'est destiné qu'à maintenir des aliments préchauffés au chaud.

⚠ AVERTISSEMENT

Hatco Corporation n'est pas responsable de la température réelle à laquelle les aliments sont servis. Il est de la responsabilité de l'utilisateur de s'assurer que les produits alimentaires sont maintenus et servis à une température sans danger.

Assurez-vous que tous les opérateurs ont été formés à l'utilisation sûre et correcte de l'appareil.

Cet appareil ne doit pas être utilisé par des enfants ou des personnes avec des capacités physiques, sensorielles ou mentales diminuées. Assurez-vous que les enfants sont bien surveillés et tenez-les à l'écart de l'appareil.

Cet appareil ne contient aucune pièce réparable par l'utilisateur. Si cet appareil doit être réparé, contacter un réparateur Hatco agréé ou le Service après-vente Hatco au +1 800-558-0607 ou +1 414-671-6350.

⚠ ATTENTION

DANGER DE BRÛLURE:

- Certaines surfaces extérieures de l'appareil deviennent chaudes. Toucher ces zones de l'appareil avec précaution.
- Éteindre l'appareil et le laisser refroidir avant de vidanger l'eau se trouvant dans le réservoir d'eau.

Placer l'appareil sur un plan de travail de hauteur correcte à un endroit qui convient pour son utilisation. Le support doit être de niveau pour éviter toute chute accidentelle du grille-pain ou de son contenu et suffisamment solide pour résister au poids de l'appareil et de son contenu.

Ne pas trop remplir le réservoir d'eau. Si le réservoir est trop rempli, de l'eau risque de s'écouler sur le sol et d'entraîner un risque de glissement.

L'unité doit rester droite durant son transport. S'assurer que toute l'eau a bien été vidangée avant le transport.

AVIS

Ne pas poser l'appareil sur le côté comportant le panneau de commande car cela risquerait de l'endommager. Veiller à ce que toute l'eau soit vidangée avant de poser l'appareil sur le côté.

Utilisez seulement des nettoyants non abrasifs et des chiffons doux. Les chiffons et nettoyant abrasifs pourraient érafler la finition de l'unité, entachant son apparence et la rendant susceptible à l'accumulation de saleté.

Il est recommandé d'utiliser de l'eau distillée dans le réservoir d'eau des appareils humidifiés. Si de l'eau non distillée est utilisée, il est nécessaire de nettoyer et de détartre régulièrement le réservoir (se reporter à la section Maintenance pour obtenir des informations sur la procédure de nettoyage).

N'utilisez pas de l'eau déionisée ou de l'eau purifiée par osmose inverse. Cela raccourcirait la durée de vie du réservoir d'eau et des éléments chauffants.

Nettoyez l'unité quotidiennement pour éviter les dysfonctionnements et assurer un fonctionnement sain.

Tous les Modèles

L'armoire de conservation portable Flav-R-Savor® est fabriquée en acier inoxydable solide et les surfaces supérieures, latérales et arrière sont peintes par poudrage. Elle est équipée d'un système de chaleur contrôlée par thermostat, d'un système d'air de convection à vitesse lente, d'un système d'humidité et d'une grande porte en verre trempé encadrée d'aluminium (une porte en acier isolée et résistante est également disponible pour le modèle FSHC-6W1). Les charnières de la porte d'accès peuvent être fixées à gauche ou à droite, selon la demande. Les commandes sont facilement accessibles et comprennent un interrupteur ON/OFF (Marche/Arrêt) et un affichage de température digital. Cet appareil peut être transporté grâce à des roulettes de 102 mm (4"), les deux roulettes avant étant des roulettes pivotantes équipées de systèmes de verrouillage. Les appareils sont gris argent de série mais sont également disponibles en option acier inoxydable ou noir et peuvent être configurés sans système d'humidité. Un câble d'alimentation de 1829 mm (6") et une prise sont fournis de série.

Une option d'empilement est disponible pour pouvoir placer un appareil sur un autre. Se reporter à la rubrique OPTIONS ET ACCESSOIRES pour obtenir plus d'informations sur toutes les options disponibles.

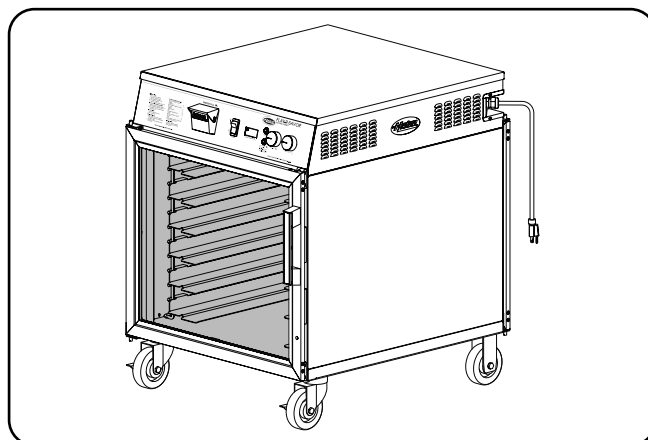
Modèle FSHC-6W1

Le FSHC-6W1 est un modèle à porte unique conçu pour tenir sous les plans de travail bas. L'armoire est équipée de 6 paires de glissières d'angle. Ces glissières sont conçues pour soutenir des plaques de grande taille, différentes tailles de marmites de chauffage au bain-marie (grande, moyenne et petite) et des bacs Gastronorm.

Un modèle sans système d'humidification est également disponible. Les appareils sans système d'humidification sont équipés d'une porte en acier inoxydable ajourée et résistante et d'un grill à 4 étages. Le modèle sans système d'humidification est conçu pour le montage sur comptoir uniquement et est livré sans roulettes ni pieds.

Modèle FSHC-6W2

Le modèle FSHC-6W2 possède toutes les fonctionnalités du FSHC-6W1 avec 2 portes en plus pour le passage des plats.



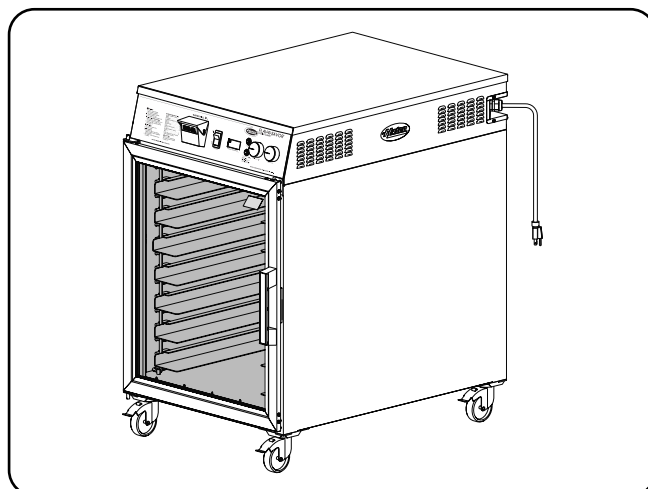
Modèle FSHC-6W1

Modèle FSHC-7-1

Le FSHC-7-1 est un modèle à porte unique. L'armoire est équipée de 7 paires de glissières d'angle. Ces glissières sont conçues pour soutenir des plaques de grande taille, différentes tailles de marmites de chauffage au bain-marie (grande, moyenne et petite) et des bacs Gastronorm.

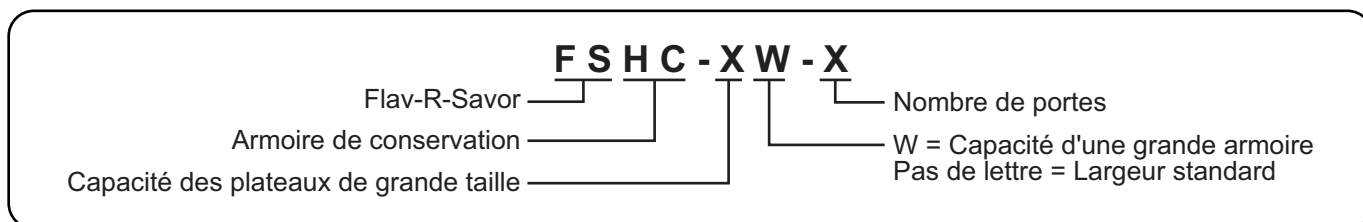
Modèle FSHC-7-2

Le modèle FSHC-7-2 possède toutes les fonctionnalités du FSHC-7-1 avec 2 portes en plus pour le passage des plats.



Modèle FSHC-7-1

DÉSIGNATION DU MODÈLE



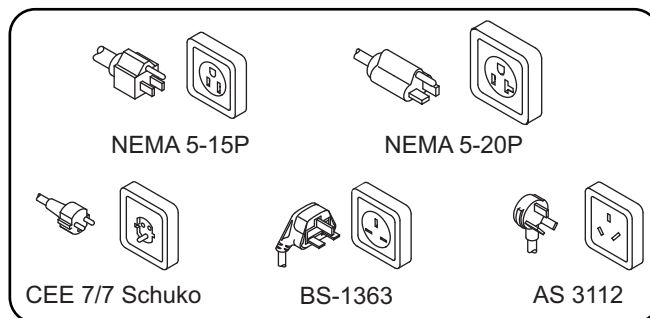
Configuration des fiches

Les appareils sont livrés avec un cordon électrique avec fiche.



DANGER DE DÉCHARGE ÉLECTRIQUE : Brancher l'appareil sur une prise de courant avec terre de tension, de format et de configuration des broches corrects. Si la fiche et la prise ne se correspondent pas, s'adresser à un électricien qualifié pour déterminer et installer une prise de courant de format et de tension corrects.

NOTA: L'étiquette des caractéristiques techniques est située à l'arrière de l'appareil. Reportez-vous à l'étiquette du numéro de série et les données électriques de l'appareil.



Configuration des fiches

NOTA: Prise non fournie par Hatco.

Tableau des valeurs nominales électriques — Norme Wattage

Modèle	Tension	Intensité	Amps	Hertz	Configuration de Fiches
FSHC-6W1 et FSHC-6W2 (Humidifié)	120	1697	14.1	60	NEMA 5-15P*
	220	1697	7.7	50	CEE 7/7 Schuko
	240	1697	7.1	50	BS-1363, AS 3112
	220–230 (CE)	1697–1850	7.7–8.0	50	CEE 7/7 Schuko
	230–240 (CE)	1562–1697	6.8–7.1	50	BS-1363
FSHC-6W1 et FSHC-6W2 (Non humidifié)	120	1097	9.2	60	NEMA 5-15P
FSHC-7-1 et FSHC-7-2 (Humidifié)	120	1697	14.1	60	NEMA 5-15P*
	220	1697	7.7	50	CEE 7/7 Schuko
	240	1697	7.1	50	BS-1363, AS 3112
	220–230 (CE)	1697–1850	7.7–8.0	50	CEE 7/7 Schuko
	230–240 (CE)	1562–1697	6.8–7.1	50	BS-1363
FSHC-7-1 et FSHC-7-2 (Non humidifié)	120	1097	9.2	60	NEMA 5-15P
	220	1093	5	50	CEE 7/7 Schuko
	240	1101	4.6	50	BS-1363, AS 3112
	220–230 (CE)	1093–1195	5.0–5.2	50	CEE 7/7 Schuko
	230–240 (CE)	1011–1097	4.4–4.6	50	BS-1363

Les zones ombrées contiennent des informations électriques pour les modèles **internationaux** uniquement.

* NEMA 5-20P pour Canada.

Poids d'embarquement

- FSHC-6W1: 84 kg (185 lbs.)
- FSHC-6W2: 86 kg (190 lbs.)
- FSHC-7-1: 79 kg (175 lbs.)
- FSHC-7-2: 82 kg (180 lbs.)

Tableau des valeurs nominales électriques — Haute Puissance

Modèle	Tension	Intensité	Amps	Hertz	Configuration de Fiches
FSHC-6W1 et FSHC-6W2 (Humidifié)	220	2047	9.3	50	CEE 7/7 Schuko
	240	2047	8.5	50	BS-1363, AS 3112
	220–230 (CE)	2047–2233	9.3–9.7	50	CEE 7/7 Schuko
	230–240 (CE)	1884–2047	8.2–8.5	50	BS-1363
FSHC-6W1 et FSHC-6W2 (Non humidifié)	120	1440	12	60	NEMA 5-15P*
FSHC-7-1 et FSHC-7-2 (Humidifié)	220	2047	9.3	50	CEE 7/7 Schuko
	240	2047	8.5	50	BS-1363, AS 3112
	220–230 (CE)	2047–2233	9.3–9.7	50	CEE 7/7 Schuko
	230–240 (CE)	1884–2047	8.2–8.5	50	BS-1363
FSHC-7-1 et FSHC-7-2 (Non humidifié)	120	1440	12	60	NEMA 5-15P*
	220	1447	6.6	50	CEE 7/7 Schuko
	240	1447	6	50	BS-1363, AS 3112
	220–230 (CE)	1447–1581	6.6–6.9	50	CEE 7/7 Schuko
	230–240 (CE)	1328–1447	5.8–6	50	BS-1363

Les zones ombrées contiennent des informations électriques pour les modèles **internationaux** uniquement.

* NEMA 5-20P pour Canada.

Poids d'embarquement

FSHC-6W1: 84 kg (185 lbs.)

FSHC-6W2: 86 kg (190 lbs.)

FSHC-7-1: 79 kg (175 lbs.)

FSHC-7-2: 82 kg (180 lbs.)

Dimensions — FSHC-6W Série

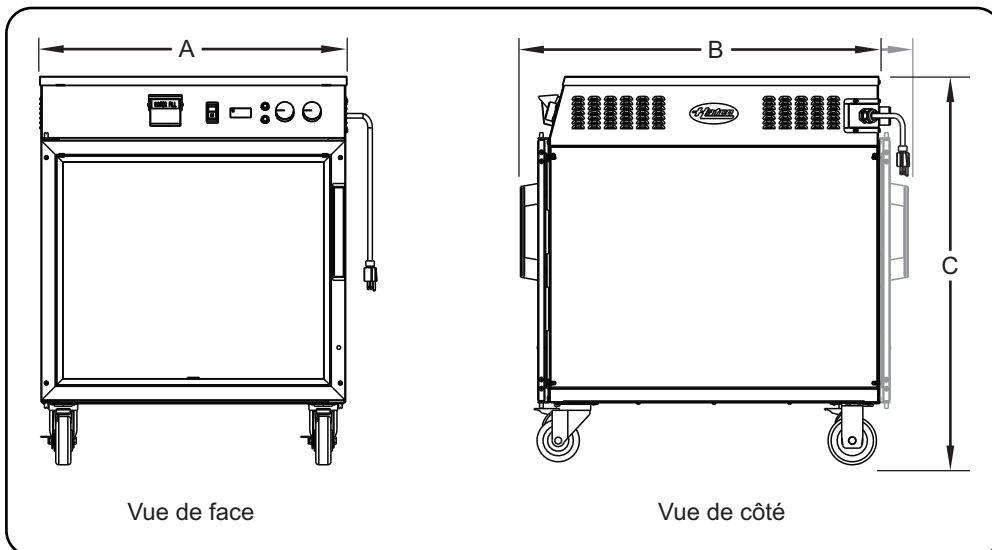
Modèle	Largeur (A)	Profondeur (B)	Hauteur (C)†
FSHC-6W1	645 mm (25-3/8")	753 mm (29-5/8")	816 mm (32-1/8")
FSHC-6W2	645 mm (25-3/8")	813 mm (32")	816 mm (32-1/8")
Capacité intérieure Surface supérieure: 645 W x 657 D mm (25-3/8" x 25-7/8") Ouverture de l'armoire: 530 W x 483 H mm (20-7/8" x 19")			

† Comprend des roulettes d'un diamètre de 102 mm (4"), hauteur de 756 mm (29-3/4") avec roulettes à faible profil installées.

Dimensions — FSHC-7 Série

Modèle	Largeur (A)	Profondeur (B)	Hauteur (C)*
FSHC-7-1	578 mm (22-3/4")	753 mm (29-5/8")	892 mm (35-1/8")
FSHC-7-2	578 mm (22-3/4")	813 mm (32")	892 mm (35-1/8")
Capacité intérieure Surface supérieure: 578 W x 657 D mm (22-3/4" x 25-7/8") Ouverture de l'armoire: 464 W x 562 H mm (18-1/4" x 22-1/8")			

* Comprend des roulettes d'un diamètre de 102 mm (4"), hauteur de 832 mm (32-3/4") avec roulettes à faible profil installées ; hauteur de 864 mm (34") avec pieds de 102 mm (4") installés ; hauteur de 915 mm (36") avec pieds de 152 mm (6") installés.



Généralités

Les armoires de conservation portables Hatco Flav-R-Savor® sont livrés avec la plupart des composants installés et prêts à fonctionner. Les instructions d'installation suivantes doivent être effectuées avant de brancher et de fonctionnement du cabinet.

⚠ AVERTISSEMENT

DANGER DE DÉCHARGE ÉLECTRIQUE : L'appareil n'est pas à l'épreuve des intempéries. Placer l'appareil à l'intérieur à une température ambiante de 21°C (70°F) minimum.

DANGER D'INCENDIE : Placer l'appareil à un minimum de 25 mm (1") des parois et matières combustibles. Si une distance sûre n'est pas maintenue, la chaleur peut provoquer une combustion ou une altération de couleur.

⚠ ATTENTION

Placer l'appareil sur un plan de travail de hauteur correcte à un endroit qui convient pour son utilisation. Le support doit être de niveau pour éviter toute chute accidentelle du grille-pain ou de son contenu et suffisamment solide pour résister au poids de l'appareil et de son contenu.

1. Retirer l'appareil de sa boîte.
2. Enlever tous les éléments non fixés qui ont été placés dans l'armoire pour le transport, comme la boîte contenant les glissières réglables, les roulettes/pieds, etc.

NOTA: Pour éviter des retards dans l'obtention de la couverture de la garantie, complétez l'enregistrement en ligne de votre garantie. Lisez la section INFORMATIONS IMPORTANTES POUR LE PROPRIÉTAIRE pour plus de détails.

3. Retirer le ruban et le film de protection de toutes les surfaces de l'appareil.

NOTA: S'il est nécessaire d'installer des pieds de 102 mm (4") ou de 152 mm (6"), reportez-vous à la rubrique OPTIONS ET ACCESSOIRES de ce manuel pour obtenir des informations concernant les instructions de montage.

4. Installez les roulettes de 102 mm (4") sur la surface inférieure de l'armoire. Des roulettes à faible profil sont disponibles en option pour la série FSHC-6W. Procédez de la manière décrite ci-dessous pour les installer.

AVIS

Ne pas poser l'appareil sur le côté comportant le panneau de commande car cela risquerait de l'endommager. Veiller à ce que toute l'eau soit vidangée avant de poser l'appareil sur le côté.

- a. Poser minutieusement l'appareil sur l'arrière. Cette étape nécessite deux personnes.

NOTA: Placer un morceau de carton entre l'armoire et le sol pour éviter de rayer l'armoire.

- b. Installer les deux roulettes pivotantes à l'avant de l'armoire à l'aide des quatre vis de fixation (fournies). Serrez-les fermement.
- c. Installer les deux roulettes fixes à l'arrière de l'appareil à l'aide des quatre vis de fixation (fournies). Serrez-les fermement.
- d. Remettre l'appareil à l'endroit. Cette étape nécessite deux personnes.

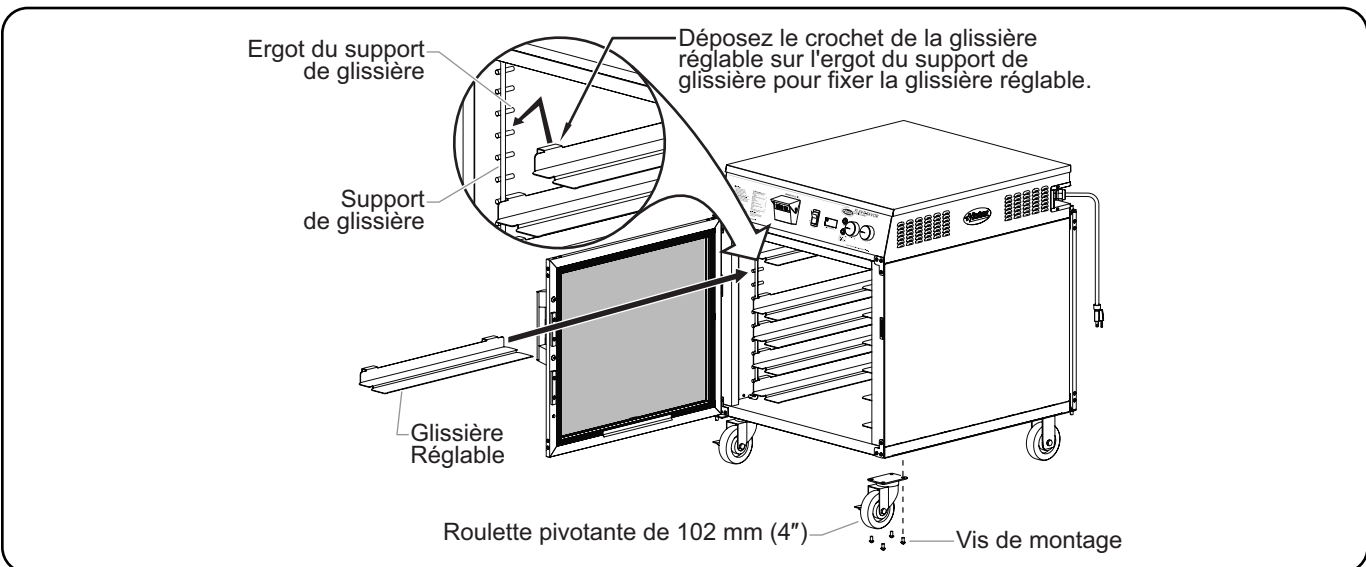
5. Déballez les glissières réglables qui se trouvent dans la boîte et installez-les dans l'armoire. Il y a douze ou quatorze glissières réglables, une moitié pour chaque côté de l'armoire. Quatre ergots de supports d'étagère (deux de chaque côté de l'armoire) soutiennent les glissières.

Pour installer chaque glissière :

- a. Alignez les crochets de la glissière réglable avec les fentes souhaitées sur les supports de glissière avant et arrière.
- b. Déposez les crochets de la glissière réglable sur le haut de l'ergot du support de glissière souhaité à chaque extrémité des supports de glissière.

7. Placer l'appareil à l'endroit souhaité.

- Placez l'appareil à un endroit où la température ambiante est constante et de 21° C (70° F) minimum. Évitez les zones pouvant être soumises à des mouvements d'air ou à des courants d'air actifs (c.-à-d. à proximité des ventilateurs/capots d'échappement, des portes et des conduites de climatisation).
- Veillez à ce que l'unité soit placée sur une surface solide et plane.
- S'assurer que l'appareil est sur une hauteur correcte à un endroit qui convient pour son utilisation.



Installation des éléments

Inversion de la porte d'accès

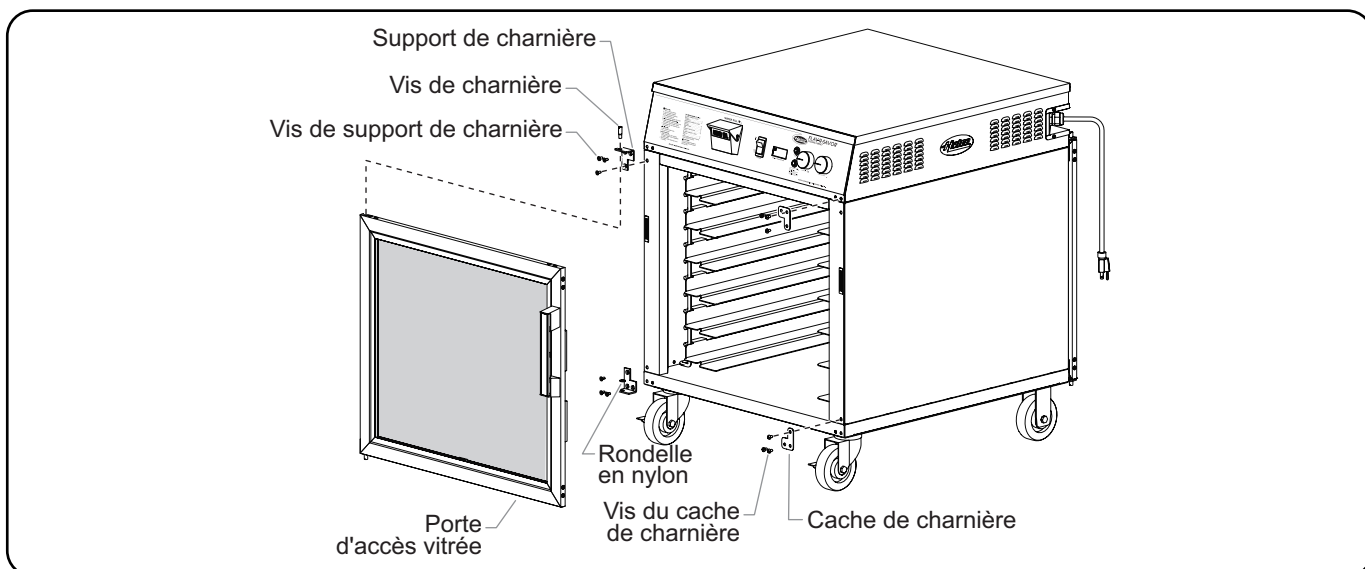
Les portes sont livrées fixées à gauche de l'armoire et s'ouvrent par la droite. Suivez la procédure suivante pour inverser la porte d'accès (ouverture par la gauche).

1. Retirez la vis de charnière supérieure.
2. Basculez la porte vers vous (en l'éloignant de l'armoire) et soulevez-la délicatement afin de désolidariser l'ensemble contenant le support de charnière du bas. Assurez-vous de localiser la rondelle en nylon et de la mettre en lieu sûr.
3. Réinstallez la vis de charnière que vous aviez retirée à l'étape 1.
4. Retirez les vis du support de charnière qui permettent de fixer chaque support de charnière à l'armoire.
5. Retirez le cache de charnière et les vis du cache de charnière du côté droit de l'armoire et introduisez-les dans les orifices du côté gauche.
6. Réinstallez le support de charnière sur le côté droit de l'armoire.

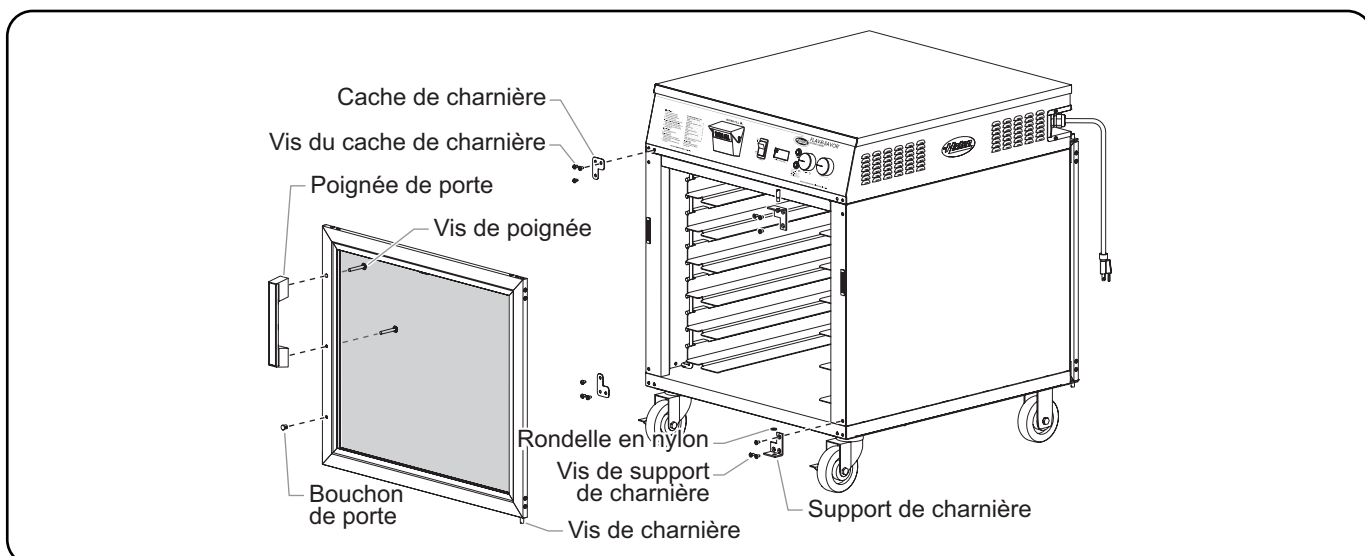
7. Faites pivoter la porte à 180°.
8. Retirez la vis de charnière de l'extrémité de la porte désormais en haut.
9. Positionnez la structure de la porte dans le support de charnière inférieur.

NOTA: La rondelle en nylon doit être installée entre la porte et le support de charnière inférieur.

10. Basculez la structure de la porte vers l'armoire et alignez le haut de la porte sur le support de charnière. Réinstallez la vis de charnière du haut dans le support de charnière du haut et sur la porte. Serrez-les fermement.
11. Retirez la poignée de porte. Pour ce faire, retirez les vis de la poignée de porte situées à l'arrière de la porte.
12. Retirez le bouchon de porte du trou supérieur de la porte.
13. Installez le bouchon de porte dans l'orifice du bas de la porte en appuyant fermement dessus.
14. Installez la poignée en alignant les orifices de la poignée sur les vis dans les deux orifices supérieurs de la porte.



Retrait de la porte d'accès



Inversion et installation de la porte d'accès

Généralités

Suivre les procédures suivantes pour faire fonctionner l'armoire de conservation portable Flav-R-Savor®.

⚠ AVERTISSEMENT

Lire tous les messages de sécurité de la section Consignes de sécurité importantes avant d'utiliser ce matériel.

Allumage

1. Brancher l'appareil sur une prise électrique correctement mise à la terre du type, de la taille et de la tension corrects. Voir des détails à la CARACTÉRISTIQUES TECHNIQUES.
2. Placer l'interrupteur d'alimentation POWER ON/OFF (I/O) sur position ON (I). Le système de chauffage se met en marche.
 - L'écran TEMPÉRATURE DE L'ARMOIRE affiche la température actuelle de l'armoire.
 - L'indicateur FAIBLE NIVEAU D'EAU s'allume tant que le réservoir n'est pas rempli.

⚠ ATTENTION

DANGER DE BRÛLURE : Certaines surfaces extérieures de l'appareil deviennent chaudes. Toucher ces zones de l'appareil avec précaution.

AVIS

Il est recommandé d'utiliser de l'eau distillée dans le réservoir d'eau des appareils humidifiés. Si de l'eau non distillée est utilisée, il est nécessaire de nettoyer et de détartrer régulièrement le réservoir (se reporter à la section Maintenance pour obtenir des informations sur la procédure de nettoyage).

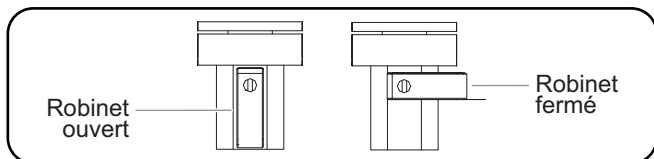
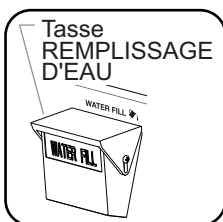
N'utilisez pas de l'eau déionisée ou de l'eau purifiée par osmose inverse. Cela raccourcirait la durée de vie du réservoir d'eau et des éléments chauffants.

NOTA: Les dommages de l'appareil causés par l'utilisation d'eau déionisée ou d'eau purifiée par osmose inverse ne sont pas couverts par la garantie.

3. Dans les appareils avec système d'humidification, remplir le réservoir avec de l'eau propre. Pour remplir le réservoir :

- a. Vérifiez que le robinet de vidange est en position fermée.
- b. Soulevez le couvercle de la tasse REMPLISSAGE D'EAU et tirez-le vers l'avant.
- c. Versez doucement l'eau dans la tasse jusqu'à ce que l'indicateur FAIBLE NIVEAU D'EAU s'éteigne.

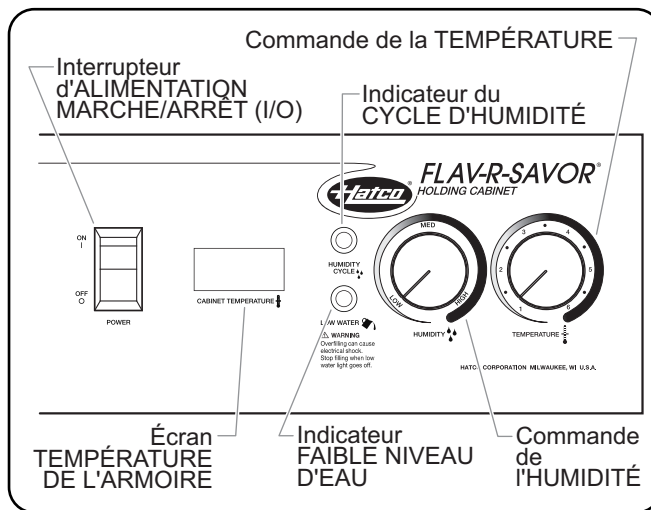
NOTA: Lors du remplissage initial, la capacité du réservoir d'eau est de 2,3 l (80 onces ou 2-1/2 quarts).



Positions du robinet de vidange

⚠ AVERTISSEMENT

Ne pas trop remplir le réservoir d'eau. Si le réservoir est trop rempli, de l'eau risque de s'écouler sur le sol et d'entraîner un risque de glissement.



Commandes

4. Sur les appareils avec système d'humidification, réglez la commande de l'HUMIDITÉ sur le niveau souhaité. Consultez le « Guide de conservation des aliments » pour connaître les recommandations à suivre.
 - L'indicateur du CYCLE D'HUMIDITÉ ne s'éteint que lorsque l'intérieur de l'armoire atteint la valeur d'humidité sélectionnée.

La capacité du réservoir permet un fonctionnement continu d'environ 4 à 8 heures, selon les réglages et la fréquence d'ouverture de la porte. Lorsque l'indicateur rouge de faible niveau d'eau est allumé, ajoutez de l'eau dans le réservoir. La capacité de remplissage du réservoir d'eau est d'environ 1,5 l (48 onces). **MISE EN GARDE ! Risque de choc électrique - Ne pas trop remplir le réservoir d'eau.**

5. Réglez la commande de TEMPÉRATURE sur le niveau de température souhaité. Consultez le « Guide de conservation des aliments » pour connaître les recommandations à suivre.
6. Faites préchauffer l'armoire pendant 30 minutes avec une casserole remplie d'eau avant de charger des aliments préchauffés.
 - L'écran TEMPÉRATURE DE L'ARMOIRE indique la température actuelle à l'intérieur de l'armoire.

NOTA: Les réglages de température et d'humidité peuvent varier selon la consistance et la composition des aliments. L'indicateur de la température de l'armoire affiche le point ayant la température la plus basse dans l'armoire et non la température de l'aliment.

NOTA: Les appareils de la série FSHC-7 peuvent être équipés d'une alarme en option indiquant le faible niveau d'eau. Ajoutez de l'eau dans le réservoir jusqu'à ce que l'alarme s'arrête.

Arrêt

1. Mettre l'interrupteur ON/OFF (Marche/Arrêt) en position OFF (Arrêt) et attendre que l'appareil refroidisse.
2. Effectuer la procédure de « nettoyage quotidien » décrite dans la section MAINTENANCE de ce manuel.

Guide de conservation des aliments

Type d'aliments	Durée maximale de conservation	Réglage de l'humidité	Réglage de la température de l'air	
			°C	°F
Bagels	3 Heures	Bas	60	140
Biscuits	2 Heures	Moyen	54	130
Poulet (morceaux)	5 Heures	Élevé	79	175
Poulet (entier)	2 Heures	Élevé	82	180
Croissants	3 Heures	Bas	60	140
Poisson	1 Heures	Moyen	82	180
Saucisses	2 Heures	Élevé	85	185
Tartes aux fruits	3-1/2 Heures	Moyen	60	140
Hot-dogs (entrées)	4 Heures	Élevé	79	175
Rondelles d'oignon	1 Heures	Bas	60	140
Pizza	1 Heures	Moyen	85	185
Bretzels	3 Heures	Moyen	60	140
Côtes	2 Heures	Élevé	85	185
Sandwiches emballés	2 Heures	Moyen	71	160

NOTA: Les durées et les réglages mentionnés sont uniquement donnés à titre de recommandation et peuvent varier en fonction de la préparation du produit, du temps de cuisson et de la température interne de l'aliment.

MAINTENANCE

Généralités

Les armoires de conservation portables Flav-R-Savor sont conçues pour durer longtemps et offrir des performances maximales tout en nécessitant très peu d'entretien.

AVERTISSEMENT**DANGER DE DÉCHARGE ÉLECTRIQUE:**

- Mettez l'unité hors tension depuis l'interrupteur, débranchez le cordon d'alimentation et laissez l'unité refroidir avant d'effectuer tout nettoyage, tout réglage ou tout entretien.
- NE PAS immerger l'appareil ni le saturer d'eau. L'appareil n'est pas étanche à l'eau. Ne pas le faire fonctionner s'il a été immergé ou saturé d'eau.
- L'appareil n'est pas à l'épreuve des intempéries. Placer l'appareil à l'intérieur à une température ambiante de 70°F (21°C) minimum.
- Cet appareil n'est pas étanche aux jets. Ne pas utiliser de jet sous pression pour nettoyer l'appareil.
- Ne pas nettoyer à la vapeur ni utiliser trop d'eau sur l'appareil.
- La réparation de cet appareil doit être confiée exclusivement à du personnel qualifié. Les réparations par des personnes non qualifiées peuvent provoquer des décharges électriques et des brûlures.

AVERTISSEMENT

Cet appareil ne contient aucune pièce réparable par l'utilisateur. Si cet appareil doit être réparé, contacter un réparateur Hatco agréé ou le Service après-vente Hatco au +1 800-558-0607 ou +1 414-671-6350.

NOTA: Le moteur de soufflante interne se lubrifie en permanence et ne nécessite pas d'entretien.

AVIS

Utilisez seulement des nettoyants non abrasifs et des chiffons doux. Les chiffons et nettoyant abrasifs pourraient érafler la finition de l'unité, entachant son apparence et la rendant susceptible à l'accumulation de saleté.

Nettoyez l'unité quotidiennement pour éviter les dysfonctionnements et assurer un fonctionnement sain.

Nettoyage Quotidien

Pour préserver la finition de l'appareil et maintenir la performance, il est recommandé de nettoyer tous les jours l'appareil.

1. Mettre l'appareil hors tension, débrancher le cordon d'alimentation et laisser refroidir l'appareil.
2. Retirer et nettoyer tous les récipients alimentaires.
3. Pour les appareils humidifiés, vidanger et nettoyer le réservoir d'eau. Se reporter à la procédure « Nettoyage/Vidange du réservoir d'eau » de cette section.
4. Essuyer toutes les surfaces intérieures et extérieures à l'aide d'un chiffon propre et doux. Les tâches persistantes pourront être retirées à l'aide d'un détergent non-abrasif. Les recoins difficiles d'accès devront être nettoyés à l'aide d'une petite brosse et de savon doux.
5. Essayez l'intégralité de l'appareil à l'aide d'un chiffon sec non-abrasif.

Nettoyage/Vidange du réservoir d'eau

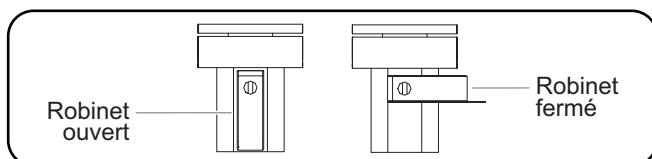
Sur les appareils avec système d'humidification, le réservoir d'eau doit être vidangé pour un nettoyage quotidien, avant de déplacer l'armoire, et pendant la procédure « Retrait des dépôts de calcaire et de minéraux ».

AVERTISSEMENT

DANGER DE DÉCHARGE ÉLECTRIQUE: Mettez l'unité hors tension depuis l'interrupteur, débranchez le cordon d'alimentation et laissez l'unité refroidir avant d'effectuer tout nettoyage, tout réglage ou tout entretien.

1. Mettre l'interrupteur ON/OFF (Marche/Arrêt) en position OFF (Arrêt) et débrancher le cordon d'alimentation. Laissez l'unité refroidir.
2. Repérez le robinet dans l'armoire sous la plaque du plafond. **ATTENTION : Risque de brûlures — La plaque du plafond et l'eau du réservoir sont chaudes pendant le fonctionnement. Laisser refroidir avant de procéder à la vidange.**
3. Placez un bac de 4 litres (1 gallon) sous le robinet.
4. Tournez la poignée du robinet de la position horizontale (fermée) à la position verticale (ouverte) pour vidanger le réservoir.
5. Une fois que le réservoir est vide, repositionnez la poignée du robinet en position fermée.

NOTA: Si l'eau utilisée présente une quantité excessive de calcaire ou de minéraux, suivre la procédure "Retrait des dépôts de calcaire et de minéraux" pour procéder au nettoyage et au détartrage périodiques du réservoir d'eau. Les dommages du produit causés par une accumulation de calcaire ou de sédiments ne sont pas couverts par la garantie.



Positions du robinet de vidange

Retrait des dépôts de chaux et de minéraux

Observer la procédure suivante pour le nettoyage et le détartrage périodiques du réservoir d'eau des modèles humidifiés.

NOTA: La concentration en chaux et en minéraux de l'eau utilisée quotidiennement pour le fonctionnement de l'unité déterminera la fréquence de détartrage.

NOTA: Réalisez cette opération lorsque l'unité ne doit pas être utilisée pendant un certain temps (en fin de journée, par exemple).

1. Mettre l'interrupteur ON/OFF (Marche/Arrêt) en position OFF (Arrêt) et débrancher le cordon d'alimentation. Laissez l'unité refroidir.
2. Une fois que l'appareil a refroidi, effectuer la procédure « Vidange du réservoir d'eau » décrite dans cette section.
3. Remplissez le réservoir d'eau avec un mélange de 75 % d'eau et de 25 % de vinaigre blanc. Ne pas utiliser de vinaigre parfumé.
4. Branchez l'unité et mettez-la en marche.
5. Réglez les commandes de température et d'humidité sur le niveau le plus élevé et faites fonctionner l'appareil pendant 30 minutes.
6. Mettre l'interrupteur ON/OFF (Marche/Arrêt) en position OFF (Arrêt) et débrancher le cordon d'alimentation. Laissez l'unité refroidir.
7. Effectuer la procédure de « Vidange du réservoir d'eau » pour vider la solution de détartrage du réservoir d'eau.
8. Continuer à remplir et à vidanger le réservoir d'eau avec de l'eau propre jusqu'à ce que la solution de détartrage soit rincée et que le réservoir soit propre.
9. Branchez l'unité sur sa source d'alimentation et remplissez le réservoir comme vous le faites habituellement pour un fonctionnement quotidien. Se reporter à la procédure décrite à la section FONCTIONNEMENT de ce manuel.

⚠ AVERTISSEMENT

La réparation de cet appareil doit être confiée exclusivement à du personnel qualifié. Les réparations par des personnes non qualifiées peuvent provoquer des décharges électriques et des brûlures.

⚠ AVERTISSEMENT

DANGER DE DÉCHARGE ÉLECTRIQUE: Mettez l'unité hors tension depuis l'interrupteur, débranchez le cordon d'alimentation et laissez l'unité refroidir avant d'effectuer tout nettoyage, tout réglage ou tout entretien.

Symptôme	Cause Probable	Solution
L'appareil est branché mais rien ne fonctionne.	L'appareil n'a pas été mis sous tension.	Placer l'interrupteur de marche/arrêt sur Marche.
	Il n'y a pas d'alimentation au niveau de l'appareil.	Vérifier la prise électrique et vérifier que l'alimentation électrique correspond aux spécifications de l'appareil. Si la prise ne fonctionne pas, vérifier le disjoncteur et le réinitialiser, ou brancher l'appareil sur une prise différente.
	Le disjoncteur est déclenché.	Vérifiez le disjoncteur et réenclenchez-le si nécessaire.
	Le cordon d'alimentation est endommagé.	Contactez votre agent de maintenance agréé ou Hatco.
	Interrupteur ON/OFF (Marche/Arrêt) défectueux.	Contactez votre agent de maintenance agréé ou Hatco.
L'appareil fonctionne mais l'air ne circule pas dans l'armoire.	Moteur de soufflante défectueux.	Contactez votre agent de maintenance agréé ou Hatco.
	Tension incorrecte fournie au moteur de soufflante.	Contactez votre agent de maintenance agréé ou Hatco.
L'appareil ne produit pas d'« air chaud » dans l'armoire.	La limite de sécurité est enclenchée ou ouverte.	Contactez votre agent de maintenance agréé ou Hatco.
	Tension incorrecte fournie à l'élément de chauffage.	Contactez votre agent de maintenance agréé ou Hatco.
	Le moteur de soufflante ne fonctionne pas.	Contactez votre agent de maintenance agréé ou Hatco.
	Élément(s) chauffant(s) défectueux.	Contactez votre agent de maintenance agréé ou Hatco.
L'appareil génère des températures irrégulières dans l'armoire.	Le contrôle du thermostat de l'air est défectueux.	Contactez votre agent de maintenance agréé ou Hatco.
	Le tube oblique d'air n'est pas connecté/est retiré.	Reconnectez/Installez le tube oblique d'air. Contacter un agent de service agréé ou Hatco pour obtenir une assistance.
L'appareil chauffe mais ne produit pas d'humidité dans l'armoire. L'indicateur de faible niveau d'eau est éteint et l'appareil est rempli d'eau.	L'élément de chauffage de l'eau est défectueux.	Contactez votre agent de maintenance agréé ou Hatco.
	Le thermostat de réglage de l'humidité est réglé sur un niveau trop bas.	Augmentez le réglage de l'humidité.
	Le thermostat de réglage de l'humidité est défectueux.	Contactez votre agent de maintenance agréé ou Hatco.
L'appareil chauffe mais ne produit pas d'humidité dans l'armoire. L'indicateur de faible niveau d'eau est allumé mais l'appareil est rempli d'eau.	Le capteur du niveau d'eau est défectueux.	Contactez votre agent de maintenance agréé ou Hatco.

Vous avez des questions en ce qui concerne les pannes?

Si le problème persiste, veuillez contacter l'agence d'entretien agréée Hatco la plus proche ou Hatco pour obtenir une assistance. Pour trouver l'agence d'entretien la plus proche, rendez-vous sur le site Internet de Hatco (www.hatcocorp.com) et cliquez sur Trouver un agent d'entretien, ou contactez l'équipe d'entretien et de pièces détachées de Hatco :

Numéro de téléphone: 800-558-0607 ou 414-671-6350

Courriel: partsandservice@hatcocorp.com

Installation des pieds

Suivre la procédure suivante pour installer les pieds en option de 102 mm (4") ou de 152 mm (6").

1. Retirez les glissières et vidangez l'eau du réservoir le cas échéant.
2. Poser minutieusement l'appareil sur l'arrière. Cette étape nécessite deux personnes.

NOTA: Placer un morceau de carton entre l'armoire et le sol pour éviter de rayer l'armoire.

3. Enlever les vis de fixation et les roulettes situées à chaque coin de l'appareil, le cas échéant.
4. Installez à nouveau les vis de fixation à chaque coin directement sur la surface inférieure de l'appareil. Elles ne sont pas nécessaires pour installer les pieds.
5. Vissez les pieds au bas de l'appareil. Serrez-les fermement.
6. Remettre l'appareil à l'endroit. Cette étape nécessite deux personnes.
7. Remplacez les glissières dans l'armoire.
8. Mettre l'appareil de niveau après l'avoir placé dans sa position finale. Les pieds sont réglables afin de pouvoir mettre l'appareil de niveau.
9. Remplir le réservoir avec de l'eau propre.

Option d'empilement

Une option d'empilement est disponible pour pouvoir placer un appareil sur un autre. L'option d'empilement requiert l'achat d'un appareil supplémentaire avec un support d'empilement et le matériel pour fixer l'appareil du dessus sur l'appareil situé en dessous.

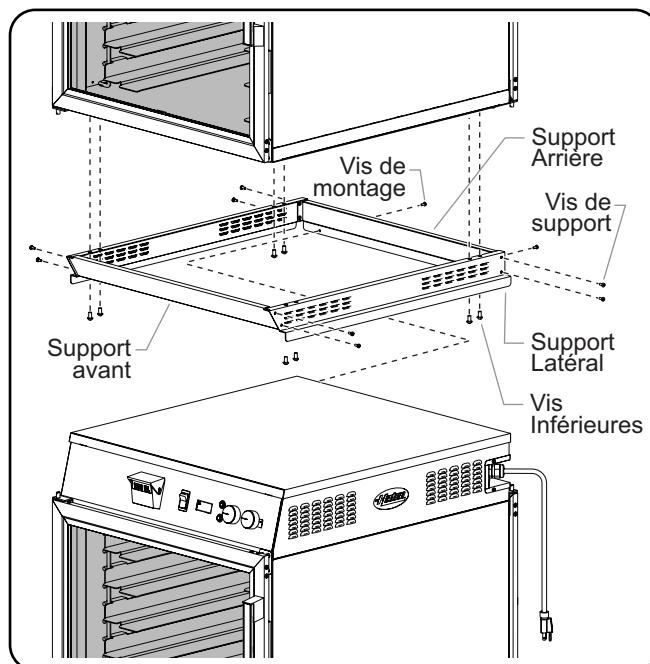
NOTA: Des roulettes sont nécessaires pour les appareils empilés.

1. Veiller à ce que l'appareil situé en dessous soit complètement assemblé et que les roulettes soient bien fixés. Se reporter à la procédure appropriée décrite dans la section INSTALLATION ou OPTIONS ET ACCESSOIRES.
2. Enlevez les glissières de chaque armoire et vidangez les réservoirs d'eau, le cas échéant.
3. Poser minutieusement l'appareil sur le côté (cette étape nécessite au moins deux personnes).

NOTA: Placer un morceau de carton entre l'armoire et le sol pour éviter de rayer l'armoire.

4. Fixer le support d'empilement sur la surface inférieure de l'appareil du dessus.
 - a. Placer le support de sorte que la bride sans les orifices de vis soit orientée vers l'avant et que la bride avec deux orifices de vis soit orientée vers l'arrière.
 - b. Vissez les 4 vis de support à chaque extrémité des supports latéraux pour les fixer aux supports avant et arrière.
 - c. À chaque coin des supports latéraux, vissez les vis inférieures à travers la face inférieure du support et de l'appareil (8 vis au total, fournies avec le kit). Serrez-les fermement.
5. Retirez les 2 vis situées à l'arrière du cache supérieur de l'appareil du dessous et mettez-les de côté.

6. Soulever et placer minutieusement l'appareil du dessus sur l'appareil du dessous (cette étape nécessite au moins deux personnes). Les brides du support d'empilement sont fixées autour des parties avant, latérales et arrière de l'appareil du dessous. **ATTENTION! Ne pas soulever l'appareil par un support d'empilement. Le support dispose de bords qui peuvent entraîner des blessures**
7. Alignez les orifices des brides arrière du support d'empilement avec les orifices de l'arrière du cache supérieur de l'appareil du dessous.
8. Installez les 2 vis de fixation (fournies avec le kit) dans les orifices des brides arrière du support d'empilement et dans les orifices de l'arrière du cache supérieur de l'appareil du dessous. Serrez-les fermement.
9. Remplacez les glissières dans chaque armoire.
10. Remplir le réservoir avec de l'eau propre.



Empiler deux appareils

Porte en acier inoxydable (Série FSHC-6W uniquement)

La porte en acier inoxydable résistante en option n'est pas adaptable.

Glissières

Des glissières en acier inoxydable sont disponibles comme accessoires supplémentaires. Utilisez des glissières supplémentaires pour augmenter la capacité de l'appareil lorsque la hauteur des plateaux/produits le permet.

1. GARANTIE DU PRODUIT

Hatco garantit que les produits qu'il fabrique (les « Produits ») sont exempts de défauts de matériel et de fabrication, dans des conditions normales d'utilisation et de maintenance, pour une période d'un (1) an à partir de la date d'achat à condition que l'appareil soit installé et entretenu conformément aux instructions écrites de Hatco ou 18 mois après la date de l'expédition par Hatco. L'acheteur doit prouver la date d'achat du Produit par l'enregistrement du produit auprès de Hatco ou par d'autres moyens satisfaisants pour Hatco, à sa seule discrétion.

Hatco garantit que les composants du Produit suivants sont exempts de défauts de matériel et de fabrication à partir de la date d'achat (sous réserve des conditions précédentes) pour la ou les périodes de temps et en fonction des conditions listées ci-dessous :

a) Garantie d'un (1) an pour les pièces et la main-d'œuvre PLUS un an (1) supplémentaire pour les pièces uniquement :

Éléments du grille-pain à convoyeur (enveloppe métallique)
 Éléments des tiroirs chauffants (enveloppe métallique)
 Tiroirs, roues et glissières des tiroirs chauffants
 Éléments des rampes chauffantes (enveloppe métallique)
 Éléments des vitrines chauffantes
 (enveloppe métallique, air chauffant)
 Éléments des armoires de stockage
 (enveloppe métallique, air chauffant)
 Éléments des compartiments chauffants —
 série HW et HWB (enveloppe métallique)

b) Garantie de deux (2) ans pour les pièces et la main-d'œuvre :

Gammes à induction

c) Garantie d'un (1) an pour les pièces et la main-d'œuvre PLUS quatre (4) ans pour les pièces uniquement :

Cuves 3CS et FR

d) Garantie d'un (1) an pour les pièces et la main-d'œuvre PLUS neuf (9) ans pour les pièces uniquement :

Cuves des appareils de chauffage d'appoint électriques
 Cuves des appareils de chauffage d'appoint à gaz

e) Garantie de quatre-vingt-dix (90) jours pour les pièces uniquement :

Pièces de rechange

LES GARANTIES PRÉCÉDENTES SONT EXCLUSIVES ET REMPLACENT TOUTES AUTRES GARANTIES, EXPRESSES OU IMPLICITES, COMPRENANT, MAIS NE SE LIMITANT PAS À, TOUTES GARANTIES IMPLICITES DE QUALITÉ MARCHANDE OU DE FINALITÉ PARTICULIÈRE OU TOUTS BREVETS OU TOUTES AUTRES ATTEINTES AUX DROITS DE LA PROPRIÉTÉ INTELLECTUELLE. Sans restreindre la portée générale des énoncés précédents, CES GARANTIES NE COUVRENT PAS : Ampoules d'éclairage à incandescence enduites, lumières fluorescentes, ampoules de lampes chauffantes, ampoules d'éclairage à halogène enduites, ampoules de lampes chauffantes au xénon, tubes d'éclairage DEL, composants en verre et fusibles ; défaut de produit dans la cuve d'un appareil de chauffage d'appoint, dans un échangeur de chaleur à tubes à ailettes ou tout autre équipement de chauffage d'eau causé par la calcification, l'accumulation de sédiments, la réaction d'un produit chimique ou le gel ; ou une mauvaise utilisation, une manipulation ou une mauvaise application, une installation inappropriée du Produit ou l'utilisation d'une tension inappropriée.

2. LIMITES DES RECOURS ET DES DOMMAGES

La responsabilité de Hatco et la seule voie de recours de l'Acheteur prévues par les présentes seront limitées exclusivement, au gré de Hatco, à la réparation ou au remplacement à l'aide de pièces ou de Produits nouveaux ou remis à neuf par Hatco ou un centre de réparation agréé par Hatco (sauf si l'Acheteur se situe hors des États-Unis, du Canada, du Royaume-Uni ou de l'Australie, auquel cas la responsabilité de Hatco et la seule voie de recours de l'Acheteur seront limitées exclusivement au remplacement des pièces concernées par la garantie) à l'égard de toute revendication effectuée dans les délais de garantie applicables mentionnés ci-dessus. Hatco se réserve le droit d'accepter ou de rejeter toute réclamation en partie ou dans son intégralité. Dans le cadre de cette Garantie limitée, « remis à neuf » signifie une pièce ou un Produit dont les caractéristiques techniques d'origine ont été restaurées par Hatco ou un centre de réparation agréé par Hatco. Hatco n'acceptera aucun retour de Produits sans qu'il n'ait auparavant donné son accord écrit, et tous ces retours approuvés doivent être effectués aux seuls frais de l'Acheteur. HATCO NE SERA PAS TENU RESPONSABLE, DANS AUCUNE CIRCONSTANCE, DES DOMMAGES CONSÉCUTIFS OU INDIRECTS, COMPRENANT, MAIS NE SE LIMITANT PAS À, LES COÛTS DE MAIN-D'ŒUVRE OU PERTES DE PROFITS DUS À UNE UTILISATION OU À UNE IMPOSSIBILITÉ D'UTILISER LES PRODUITS OU DUS AU FAIT QUE LES PRODUITS ONT ÉTÉ INTÉGRÉS DANS OU QU'ILS SONT DEVENUS UN COMPOSANT DE TOUT AUTRE PRODUIT OU BIEN.

AUTHORIZED PARTS DISTRIBUTORS • DISTRIBUTEURS DE PIÈCES AUTORISÉS

ALABAMA

Jones McLeod Appl. Svc.
Birmingham 205-251-0159

ARIZONA

Service Solutions Group
Phoenix 602-234-2443

Byassee Equipment Co.
Phoenix 602-252-0402

CALIFORNIA

Industrial Electric
Commercial Parts & Service, Inc.
Huntington Beach 714-379-7100

Chapman Appl. Service
San Diego 619-298-7106

P & D Appliance
Commercial Parts & Service, Inc.
S. San Francisco 650-635-1900

COLORADO

Hawkins Commercial Appliance
Englewood 303-781-5548

FLORIDA

Whaley Foodservice Repair
Jacksonville 904-725-7800

Whaley Foodservice Repair
Orlando 407-757-0851

B.G.S.I.
Pompano Beach 954-971-0456

Comm. Appliance Service
Tampa 813-663-0313

GEORGIA

TWC Services
Mableton 770-438-9797

Heritage Service Group
Norcross 866-388-9837

Southeastern Rest. Svc.
Norcross 770-446-6177

HAWAII

Burney's Comm. Service, Inc.
Honolulu 808-848-1466

Food Equip Parts & Service
Honolulu 808-847-4871

ILLINOIS

Parts Town
Lombard 708-865-7278

Eichenauer Elec. Service
Decatur 217-429-4229

Midwest Elec. Appl. Service
Elmhurst 630-279-8000

Cone's Repair Service
Moline 309-797-5323

INDIANA

GCS Service
Indianapolis 800-727-8710

IOWA

Goodwin Tucker Group
Des Moines 515-262-9308

KENTUCKY

Service Solutions Group
Lexington 859-254-8854

Service Solutions Group
Louisville 502-451-5411

LOUISIANA

Chandlers Parts & Service
Baton Rouge 225-272-6620

MARYLAND

Electric Motor Service
Baltimore 410-467-8080

GCS Service
Silver Spring 301-585-7550

MASSACHUSETTS

Ace Service Co., Inc.
Needham 781-449-4220

MICHIGAN

Bildons Appliance Service
Detroit 248-478-3320

Commercial Kitchen Service
Bay City 989-893-4561

Midwest Food Equip. Service
Grandville 616-261-2000

MINNESOTA

GCS Service
Minnetonka 800-822-2303
x20365

MISSOURI

General Parts
Kansas City 816-421-5400

Commercial Kitchen Services
St. Louis 314-890-0700

Kaemmerlen Parts & Service
St. Louis 314-535-2222

NEBRASKA

Anderson Electric
Omaha 402-341-1414

NEVADA

Burney's Commercial
Las Vegas 702-736-0006

Hi. Tech Commercial Service
N. Las Vegas 702-649-4616

NEW JERSEY

Jay Hill Repair
Fairfield 973-575-9145

Service Plus
Flanders 973-691-6300

NEW YORK

Acme American Repairs, Inc.
Jamaica 718-456-6544

Alpro Service Co.
Maspeth 718-386-2515

Appliance Installation
Buffalo 716-884-7425

Duffy's Equipment Services, Inc.
Buffalo 800-836-1014

3Wire Northern
Plattsburgh 800-634-5005

Duffy's Equipment Services, Inc.
Sauquoit 800-836-1014

J.B. Brady, Inc.
Syracuse 315-422-9271

NORTH CAROLINA

Authorized Appliance
Charlotte 704-377-4501

OHIO

Akron/Canton Comm. Svc. Inc.
Akron 330-753-6634

Service Solutions Group
Cincinnati 513-772-6600

Commercial Parts and Service
Columbus 614-221-0057

Electrical Appl. Repair Service
Brooklyn Heights 216-459-8700

E. A. Wichman Co.
Toledo 419-385-9121

OKLAHOMA

Hagar Rest. Service, Inc.
Oklahoma City 405-235-2184

Krueger, Inc.
Oklahoma City 405-528-8883

OREGON

Ron's Service, Inc.
Portland 503-624-0890

PENNSYLVANIA

Elmer Schultz Services
Philadelphia 215-627-5401

FAST Comm. Appl. Service
Philadelphia 215-288-4800

Appliance Installation & Service
Pittsburgh 412-809-0244

K & D Service Co.
Harrisburg 717-236-9039

Electric Repair Co.
Reading 610-376-5444

RHODE ISLAND

Marshall Electric Co.
Providence 401-331-1163

SOUTH CAROLINA

Whaley Foodservice Repair
Lexington 803-996-9900

TENNESSEE

Camp Electric
Memphis 901-527-7543

TEXAS

GCS Service
Fort Worth 800-433-1804

Armstrong Repair Service
Houston 713-666-7100

Cooking Equipment Specialist
Mesquite 972-686-6666

Commercial Kitchen Repair Co.
San Antonio 210-735-2811

UTAH

La Monica's Rest. Equip. Service
Murray 801-263-3221

VIRGINIA

Daubers
Norfolk 757-855-4097

Daubers
Springfield 703-866-3600

WASHINGTON

3Wire Restaurant Appliance
Seattle 800-207-3146

WISCONSIN

A.S.C., Inc.
Madison 608-246-3160

A.S.C., Inc.
Milwaukee 414-543-6460

CANADA

ALBERTA

Key Food Equipment Service
Edmonton 780-438-1690

BRITISH COLUMBIA

Key Food Equipment Service
Vancouver 604-433-4484

Key Food Equipment Service
Victoria 250-920-4888

MANITOBA

Air Rite, Inc.
Winnipeg 204-895-2300

NEW BRUNSWICK

EMR Services, Ltd.
Moncton 506-855-4228

ONTARIO

R.G. Henderson Ltd.
Toronto 416-422-5580

Choquette - CKS, Inc.
Ottawa 613-739-8458

QUÉBEC

Choquette - CKS, Inc.
Montreal 514-722-2000

Choquette - CKS, Inc.
Québec City 418-681-3944

UNITED KINGDOM

Marren Group
Northants +44(0)1933 665313

HATCO CORPORATION

P.O. Box 340500

Milwaukee, WI 53234-0500 U.S.A.

800-558-0607 414-671-6350

partsandservice@hatcocorp.com

www.hatcocorp.com

Register your unit online!

See IMPORTANT OWNER INFORMATION
section for details.

S'inscrire en ligne!

Lisez la section INFORMATIONS IMPORTANTES
POUR LE PROPRIÉTAIRE pour plus de informations.