



Flav-R-Savor[®]

Heated Air Curtain Cabinets

FSHAC, FSHACH, FS2HAC SERIES

FSHAC-2

FSHACH-2

FS2HAC-2PT

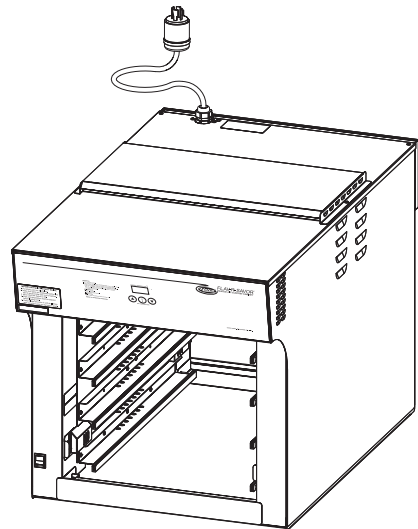
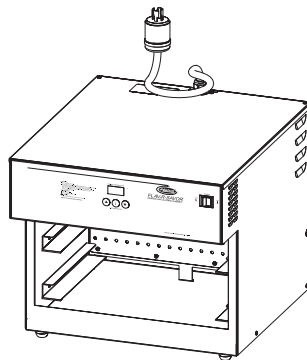
FSHAC-3

FSHACH-3

FS2HAC-4PT

FSHAC-2PT

FSHACH-2PT



REPLACEMENT PARTS LIST

PARTS COMMON TO ALL FSHAC, FSHACH, AND FS2HAC MODELS

Item	Description	Part No.	Qty.	Item	Description	Part No.	Qty.
1	Temperature Probe — Air	02.01.203.00	1	4	Mini Relay, 24V	02.01.116.00	2-4
2	Hi-Limit Safety Thermostat, 250° F	R02.16.118.00	1	5	Gasket, Air Chamber	05.06.028.00	◆
3	Transformer, 120/230-24V	02.17.060.00	1	6	Electronic Thermostat, 24V	02.01.273.00	1
				7	ON/OFF Switch	02.19.076.00	1

◆ Replacement gasket material is sold by the foot. Refer to the unit requirements below:

- FSHAC-26' FSHACH-29' FS2HAC-2PT32'
- FSHAC-36' FSHACH-39' FS2HAC-4PT32'
- FSHAC-2PT6' FSHACH-2PT27'

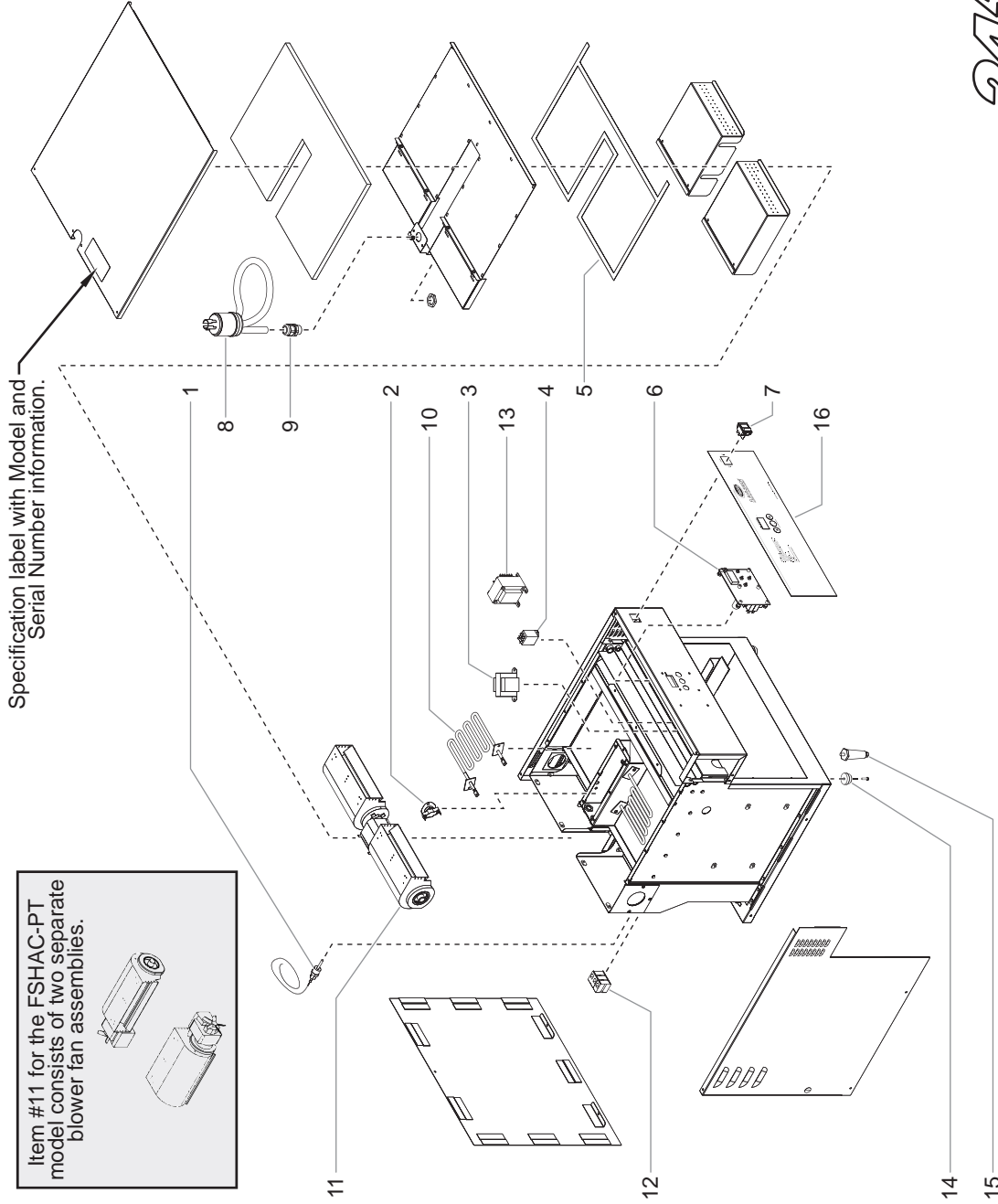
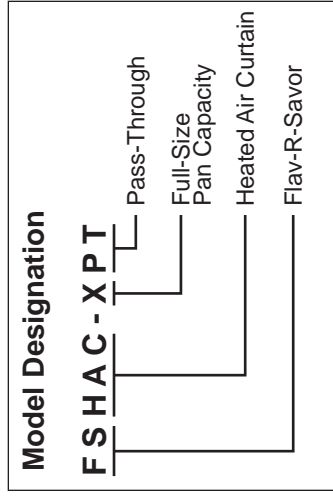
NOTE: The last four digits in a ten digit numerical serial number are the manufacturing date code.

Example: Serial number 9625060751 has a date code of "0751" which indicates the following:



HATCO FLAV-R-SAVOR® HEATED AIR CURTAIN CABINETS

FSHAC Series

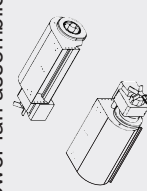


24 Hour 7 Day Parts and Service Assistance available in the United States and Canada by calling (800) 558-0607. E-mail: partsandservice@hatcocorp.com

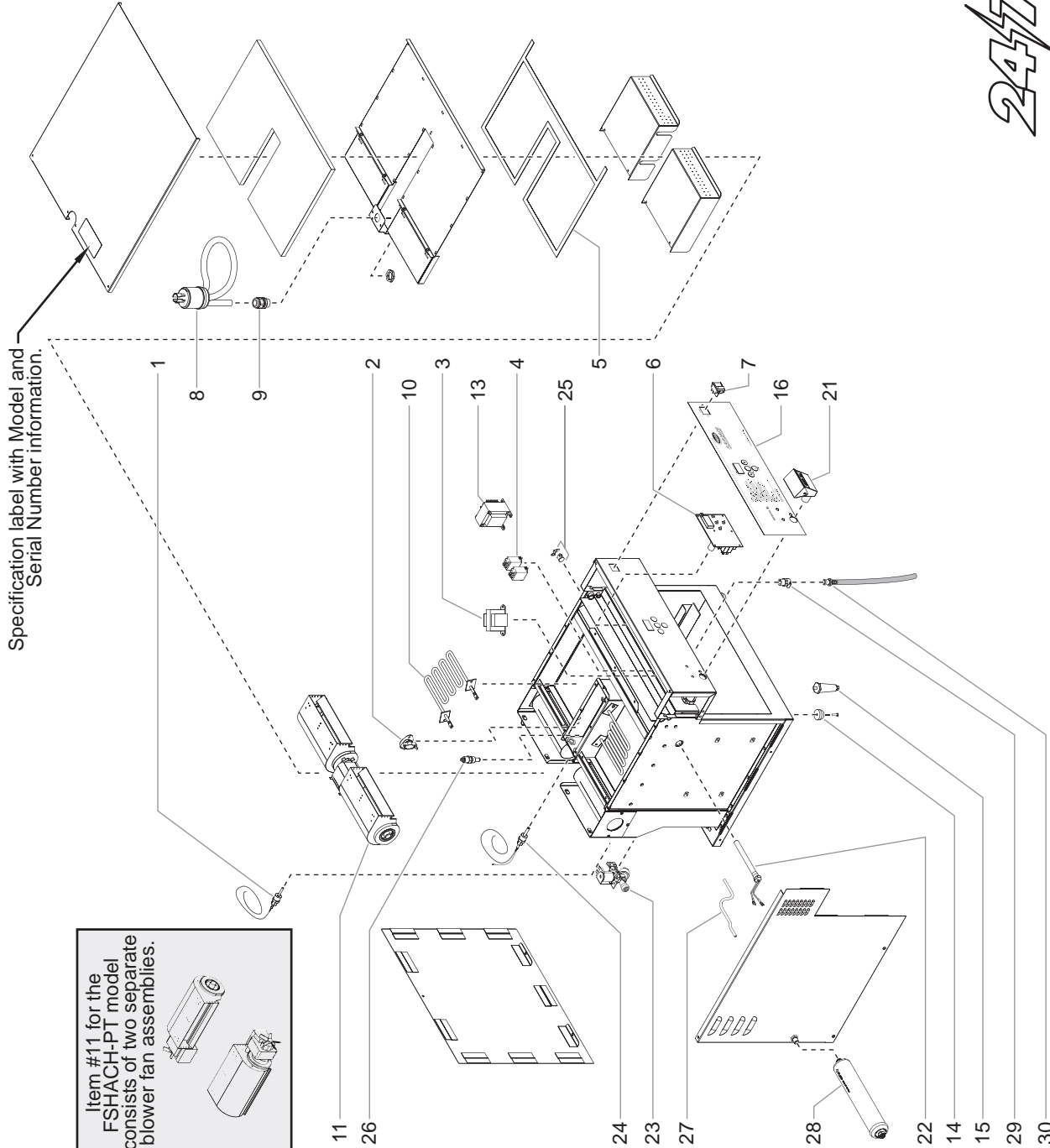


HATCO FLAV-R-SAVOR® HEATED AIR CURTAIN CABINETS FSHACH Series

Item #11 for the FSHACH-PT model consists of two separate blower fan assemblies.

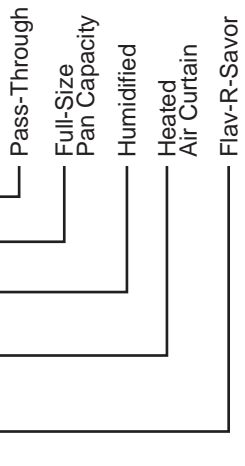


Specification label with Model and Serial Number information.



Model Designation

F S H A C H - X P T



CAUTION

Use of replacement parts other than those supplied by Hatco Corporation may result in damage to the unit or injury to personnel and will void all warranties.

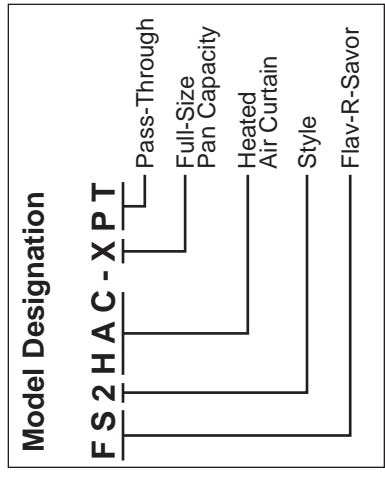


24 Hour 7 Day Parts and Service Assistance available in the United States and Canada by calling (800) 558-0607. E-mail: partsandservice@hatcocorp.com

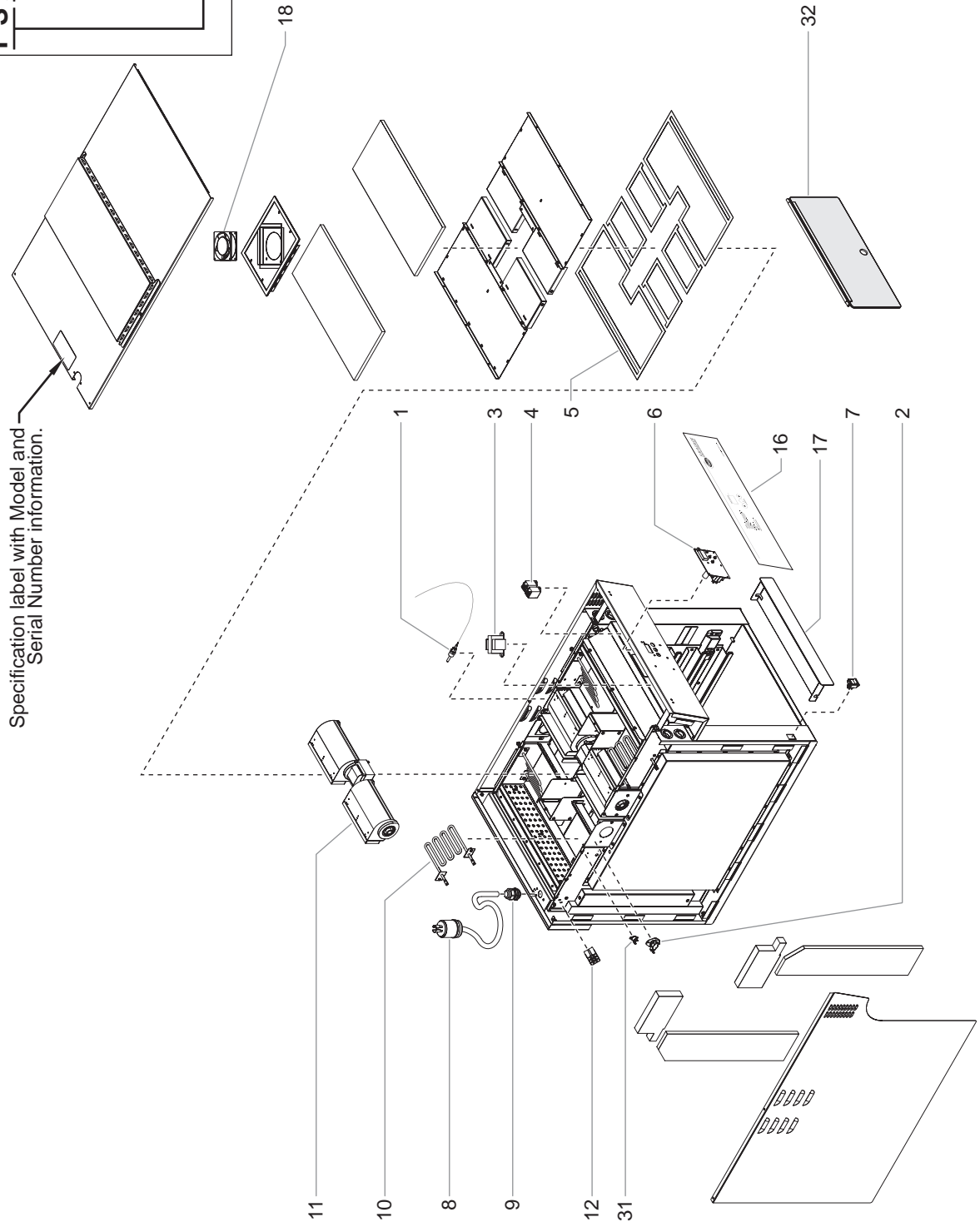


HATCO FLAV-R-SAVOR® HEATED AIR CURTAIN CABINETS

FS2HAC Series



Specification label with Model and Serial Number information.



PARTS SPECIFIC TO MODEL FSHAC-2

Item	Description	120V 60 Hz	120/208V 60 Hz	120/240V 60 Hz	208V 60 Hz	240V 60 Hz	220-230V CE 50/60 Hz	230-240V CE 50/60 Hz
8	Power Cord	02.18.185.00	02.18.128.00	---	---	---	02.18.038.00	02.18.068.00
9	Cord Grip	02.20.259.00	02.20.259.00	---	---	---	02.20.259.00	02.20.259.00
10	Heating Element, Air (Qty. 2)	R02.08.090.00	R02.05.017E.00	---	---	---	R02.08.094E.00	R02.08.095E.00
11	Blower Fan Assembly, Twin	R02.12.086.00	R02.12.086.00	---	---	---	R02.12.086.01	R02.12.086.01
12	Terminal Block	---	---	---	---	---	R02.15.046.00	R02.15.046.00
13	Transformer 230-120 Volt	---	---	---	---	---	---	---
14	Foot, Rubber (standard)	R05.30.029.00	R05.30.029.00	---	---	---	R05.30.029.00	R05.30.029.00
15	Leg, 4" (102 mm) (optional)	05.30.007.00	05.30.007.00	---	---	---	05.30.007.00	05.30.007.00
16	Decal, Control Panel	07.03.491.00	07.03.491.00	---	---	---	07.03.491.00	07.03.491.00
17	Crumb Tray	---	---	---	---	---	---	---
18	Cooling Fan Assembly	---	---	---	---	---	---	---
19	Fuse Block	---	---	---	---	---	---	---
20	Fuse	---	---	---	---	---	---	---
21	Fill Cup Assembly	---	---	---	---	---	---	---
22	Heating Element, Water	---	---	---	---	---	---	---
23	Solenoid Valve	---	---	---	---	---	---	---
24	Temperature Probe, Water	---	---	---	---	---	---	---
25	High Limit Disk	---	---	---	---	---	---	---
26	Probe, Low Water	---	---	---	---	---	---	---
27	Tubing, Water Line	---	---	---	---	---	---	---
28	Water Filter, In-Line	---	---	---	---	---	---	---
29	Ceiling Drain Assembly	---	---	---	---	---	---	---
30	Drain Tube Assembly	---	---	---	---	---	---	---
31	Cooling Fan Thermostat	---	---	---	---	---	---	---
32	Flip-Up Panel Assembly (optional)	---	---	---	---	---	---	---
	Wiring Diagram	10-01-626	10-01-462	---	---	---	10-01-634	10-01-634

The shaded areas contain information for **International models only**.



PARTS SPECIFIC TO MODEL FSHAC-3

Item	Description	120V 60 Hz	120/208V 60 Hz	120/240V 60 Hz	208V 60 Hz	240V 60 Hz	220-230V CE 50/60 Hz	230-240V CE 50/60 Hz
8	Power Cord	---	02.18.128.00	---	---	---	02.18.038.00	02.18.068.00
9	Cord Grip	---	02.20.259.00	---	---	---	02.20.259.00	02.20.259.00
10	Heating Element, Air (Qty. 2)	---	R02.05.017E.00	---	---	---	R02.08.094E.00	R02.08.095E.00
11	Blower Fan Assembly, Twin	---	R02.12.086.00	---	---	---	R02.12.086.01	R02.12.086.01
12	Terminal Block	---	---	---	---	---	R02.15.046.00	R02.15.046.00
13	Transformer 230-120 Volt	---	---	---	---	---	---	---
14	Foot, Rubber (standard)	---	R05.30.029.00	---	---	---	R05.30.029.00	R05.30.029.00
15	Leg, 4" (102 mm) (optional)	---	05.30.007.00	---	---	---	05.30.007.00	05.30.007.00
16	Decal, Control Panel	---	07.03.491.00	---	---	---	07.03.491.00	07.03.491.00
17	Crumb Tray	---	---	---	---	---	---	---
18	Cooling Fan Assembly	---	---	---	---	---	---	---
19	Fuse Block	---	---	---	---	---	---	---
20	Fuse	---	---	---	---	---	---	---
21	Fill Cup Assembly	---	---	---	---	---	---	---
22	Heating Element, Water	---	---	---	---	---	---	---
23	Solenoid Valve	---	---	---	---	---	---	---
24	Temperature Probe, Water	---	---	---	---	---	---	---
25	High Limit Disk	---	---	---	---	---	---	---
26	Probe, Low Water	---	---	---	---	---	---	---
27	Tubing, Water Line	---	---	---	---	---	---	---
28	Water Filter, In-Line	---	---	---	---	---	---	---
29	Ceiling Drain Assembly	---	---	---	---	---	---	---
30	Drain Tube Assembly	---	---	---	---	---	---	---
31	Cooling Fan Thermostat	---	---	---	---	---	---	---
32	Flip-Up Panel Assembly (optional)	---	---	---	---	---	---	---
	Wiring Diagram	---	10-01-462	---	---	---	10-01-634	10-01-634

The shaded areas contain information for **International models only**.



PARTS SPECIFIC TO MODEL FSHAC-2PT

Item	Description	120V 60 Hz	120/208V 60 Hz	120/240V 60 Hz	208V 60 Hz	240V 60 Hz	220-230V CE 50/60 Hz	230-240V CE 50/60 Hz
8	Power Cord	---	02.18.128.00	---	02.18.186.00	02.18.186.00	02.18.103.00	02.18.103.00
9	Cord Grip	---	02.20.259.00	---	02.20.259.00	02.20.259.00	02.20.259.00	02.20.259.00
10	Heating Element, Air (Qty. 4)	---	R02.05.008E.00	---	R02.05.008E.00	R02.08.574E.00	R02.08.011E.00	R02.08.574E.00
11	Blower Fan Assembly (Qty. 2)	---	R02.12.066.00	---	R02.12.066.00	R02.12.066.00	R02.12.066.01	R02.12.066.01
12	Terminal Block	---	---	---	---	---	R02.15.046.00	R02.15.046.00
13	Transformer 230-120 Volt	---	---	---	02.17.069.00	02.17.069.00	---	---
14	Foot, Rubber (standard)	---	R05.30.029.00	---	R05.30.029.00	R05.30.029.00	R05.30.029.00	R05.30.029.00
15	Leg, 4" (102 mm) (optional)	---	05.30.007.00	---	05.30.007.00	05.30.007.00	05.30.007.00	05.30.007.00
16	Decal, Control Panel	---	07.03.498.00	---	07.03.498.00	07.03.498.00	07.03.498.00	07.03.498.00
17	Crumb Tray	---	---	---	---	---	---	---
18	Cooling Fan Assembly	---	---	---	---	---	---	---
19	Fuse Block	---	---	---	---	---	---	---
20	Fuse	---	---	---	---	---	---	---
21	Fill Cup Assembly	---	---	---	---	---	---	---
22	Heating Element, Water	---	---	---	---	---	---	---
23	Solenoid Valve	---	---	---	---	---	---	---
24	Temperature Probe, Water	---	---	---	---	---	---	---
25	High Limit Disk	---	---	---	---	---	---	---
26	Probe, Low Water	---	---	---	---	---	---	---
27	Tubing, Water Line	---	---	---	---	---	---	---
28	Water Filter, In-Line	---	---	---	---	---	---	---
29	Ceiling Drain Assembly	---	---	---	---	---	---	---
30	Drain Tube Assembly	---	---	---	---	---	---	---
31	Cooling Fan Thermostat	---	---	---	---	---	---	---
32	Flip-Up Panel Assembly (optional)	---	---	---	---	---	---	---
	Wiring Diagram	---	10-01-472	---	10-01-522	10-01-522	10-01-545	10-01-545

The shaded areas contain information for **International models only**.



PARTS SPECIFIC TO MODEL FSHACH-2

Item	Description	120V 60 Hz	120/208V 60 Hz	120/240V 60 Hz	208V 60 Hz	240V 60 Hz	220-230V CE 50/60 Hz	230-240V CE 50/60 Hz
8	Power Cord	---	02.18.128.00	---	---	---	---	---
9	Cord Grip	---	02.20.259.00	---	---	---	---	---
10	Heating Element, Air (Qty. 2)	---	R02.05.017E.00	---	---	---	---	---
11	Blower Fan Assembly, Twin	---	R02.12.086.00	---	---	---	---	---
12	Terminal Block	---	---	---	---	---	---	---
13	Transformer 230-120 Volt	---	---	---	---	---	---	---
14	Foot, Rubber (standard)	---	R05.30.029.00	---	---	---	---	---
15	Leg, 4" (102 mm) (optional)	---	05.30.007.00	---	---	---	---	---
16	Decal, Control Panel	---	07.03.490.00	---	---	---	---	---
17	Crumb Tray	---	---	---	---	---	---	---
18	Cooling Fan Assembly	---	---	---	---	---	---	---
19	Fuse Block	---	---	---	---	---	---	---
20	Fuse	---	---	---	---	---	---	---
21	Fill Cup Assembly	---	R05.30.050.00	---	---	---	---	---
22	Heating Element, Water (Qty. 2)	---	R02.05.018.00	---	---	---	---	---
23	Solenoid Valve	---	R03.02.040.00	---	---	---	---	---
24	Temperature Probe, Water	---	02.01.204.00	---	---	---	---	---
25	High Limit Disk, 173° F	---	R02.16.029.00	---	---	---	---	---
26	Probe, Low Water	---	02.40.015.00	---	---	---	---	---
27	Tubing, Water Line (6")†	---	03.40.081.00	---	---	---	---	---
28	Water Filter, In-Line	---	03.05.079.00	---	---	---	---	---
29	Ceiling Drain Assembly	---	R03.40.055.00	---	---	---	---	---
30	Drain Tube Assembly	---	R03.40.054.00	---	---	---	---	---
31	Cooling Fan Thermostat	---	---	---	---	---	---	---
32	Flip-Up Panel Assembly (optional)	---	---	---	---	---	---	---
	Wiring Diagram	---	10-01-430	---	---	---	---	---

The shaded areas contain information for **International models only**.

† Sold by the foot.



PARTS SPECIFIC TO MODEL FSHACH-3

Item	Description	120V 60 Hz	120/208V 60 Hz	120/240V 60 Hz	208V 60 Hz	240V 60 Hz	220-230V CE 50/60 Hz	230-240V CE 50/60 Hz
8	Power Cord	---	02.18.128.00	---	---	---	---	---
9	Cord Grip	---	02.20.259.00	---	---	---	---	---
10	Heating Element, Air (Qty. 2)	---	R02.05.017E.00	---	---	---	---	---
11	Blower Fan Assembly, Twin	---	R02.12.086.00	---	---	---	---	---
12	Terminal Block	---	---	---	---	---	---	---
13	Transformer 230-120 Volt	---	---	---	---	---	---	---
14	Foot, Rubber (standard)	---	R05.30.029.00	---	---	---	---	---
15	Leg, 4" (102 mm) (optional)	---	05.30.007.00	---	---	---	---	---
16	Decal, Control Panel	---	07.03.490.00	---	---	---	---	---
17	Crumb Tray	---	---	---	---	---	---	---
18	Cooling Fan Assembly	---	---	---	---	---	---	---
19	Fuse Block	---	---	---	---	---	---	---
20	Fuse	---	---	---	---	---	---	---
21	Fill Cup Assembly	---	R05.30.050.00	---	---	---	---	---
22	Heating Element, Water (Qty. 2)	---	R02.05.018.00	---	---	---	---	---
23	Solenoid Valve	---	R03.02.040.00	---	---	---	---	---
24	Temperature Probe, Water	---	02.01.204.00	---	---	---	---	---
25	High Limit Disk, 173° F	---	R02.16.029.00	---	---	---	---	---
26	Probe, Low Water	---	02.40.015.00	---	---	---	---	---
27	Tubing, Water Line (6')†	---	03.40.081.00	---	---	---	---	---
28	Water Filter, In-Line	---	03.05.079.00	---	---	---	---	---
29	Ceiling Drain Assembly	---	R03.40.055.00	---	---	---	---	---
30	Drain Tube Assembly	---	R03.40.054.00	---	---	---	---	---
31	Cooling Fan Thermostat	---	---	---	---	---	---	---
32	Flip-Up Panel Assembly (optional)	---	---	---	---	---	---	---
	Wiring Diagram	---	10-01-430	---	---	---	---	---

The shaded areas contain information for **International models only**.

† Sold by the foot.



PARTS SPECIFIC TO MODEL FSHACH-2PT

Item	Description	120V 60 Hz	120/208V 60 Hz	120/240V 60 Hz	208V 60 Hz	240V 60 Hz	220-230V CE 50/60 Hz	230-240V CE 50/60 Hz
8	Power Cord	---	02.18.309.00	---	02.18.150.00	---	---	---
9	Cord Grip	---	02.20.290.00	---	02.20.259.00	---	---	---
10	Heating Element, Air (Qty. 4)	---	R02.05.008E.00	---	R02.05.008E.00	---	---	---
11	Blower Fan Assembly (Qty. 2)	---	R02.12.066.00	---	R02.12.066.00	---	---	---
12	Terminal Block	---	---	---	---	---	---	---
13	Transformer 230-120 Volt	---	---	---	02.17.069.00	---	---	---
14	Leg, 4" (102 mm) (optional)	---	R05.30.029.00	---	R05.30.029.00	---	---	---
15	Leg, 4" (102 mm) Adjustable	---	05.30.007.00	---	05.30.007.00	---	---	---
16	Decal, Control Panel	---	07.03.497.00	---	07.03.497.00	---	---	---
17	Crumb Tray	---	---	---	---	---	---	---
18	Cooling Fan Assembly	---	---	---	---	---	---	---
19	Fuse Block (not shown)	---	02.03.022.00	---	---	---	---	---
20	Fuse, 2-pack (not shown)	---	R02.03.052.02	---	---	---	---	---
21	Fill Cup Assembly	---	R05.30.050.00	---	R05.30.050.00	---	---	---
22	Heating Element, Water (Qty. 4)	---	R02.05.003.00	---	R02.05.003.00	---	---	---
23	Solenoid Valve	---	R03.02.040.00	---	R03.02.040.00	---	---	---
24	Temperature Probe, Water	---	02.01.242.00	---	02.01.242.00	---	---	---
25	High Limit Disk, 173° F (Qty. 2)	---	R02.16.029.00	---	R02.16.029.00	---	---	---
26	Probe, Low Water	---	02.40.015.00	---	02.40.015.00	---	---	---
27	Tubing, Water Line (6')	---	03.40.081.00	---	03.40.081.00	---	---	---
28	Water Filter, In-Line	---	03.05.079.00	---	03.05.079.00	---	---	---
29	Ceiling Drain Assembly	---	R03.40.055.00	---	R03.40.055.00	---	---	---
30	Drain Tube Assembly	---	R03.40.054.00	---	R03.40.054.00	---	---	---
31	Cooling Fan Thermostat	---	---	---	---	---	---	---
32	Flip-Up Panel Assembly (optional)	---	---	---	---	---	---	---
	Wiring Diagram	---	10-01-521	---	10-01-515	---	---	---

The shaded areas contain information for **International models only**.

† Sold by the foot.



PARTS SPECIFIC TO MODEL FS2HAC-2PT

Item	Description	120V 60 Hz	120/208V 60 Hz	120/240V 60 Hz	220V 60 Hz	240V 60 Hz	220-230V CE 50/60 Hz	230-240V CE 50/60 Hz
8	Power Cord	---	02.18.128.00	02.18.128.00	02.18.111.00	02.18.111.00	02.18.038.00	02.18.103.00
9	Cord Grip	---	02.20.290.00	02.20.290.00	02.20.290.00	02.20.290.00	02.20.290.00	02.20.290.00
10	Heating Element, Air (Qty. 4)	---	R02.08.091.00	R02.08.091.00	R02.08.092E.00	R02.08.092E.00	R02.08.092E.00	R02.08.092E.00
11	Blower Fan Assembly, Twin (Qty. 2)	---	R02.12.086.00	R02.12.086.00	R02.12.086.01	R02.12.086.01	R02.12.086.01	R02.12.086.01
12	Terminal Block	---	---	---	R02.15.046.00	R02.15.046.00	R02.15.046.00	R02.15.046.00
13	Transformer 230-120 Volt	---	---	---	---	---	---	---
14	Foot, Rubber (standard)	---	---	---	---	---	---	---
15	Leg, 4" (102 mm) (optional)	---	---	---	---	---	---	---
16	Decal, Control Panel	---	07.03.498.00	07.03.498.00	07.03.498.00	07.03.498.00	07.03.498.00	07.03.498.00
17	Crumb Tray (Qty. 2)	---	04.48.079.00	04.48.079.00	04.48.079.00	04.48.079.00	04.48.079.00	04.48.079.00
18	Cooling Fan Assembly	---	02.12.107.00	02.12.107.00	02.12.107.01	02.12.107.01	02.12.107.01	02.12.107.01
19	Fuse Block	---	---	---	---	---	---	---
20	Fuse	---	---	---	---	---	---	---
21	Fill Cup Assembly	---	---	---	---	---	---	---
22	Heating Element, Water	---	---	---	---	---	---	---
23	Solenoid Valve	---	---	---	---	---	---	---
24	Temperature Probe, Water	---	---	---	---	---	---	---
25	High Limit Disk	---	---	---	---	---	---	---
26	Probe, Low Water	---	---	---	---	---	---	---
27	Tubing, Water Line	---	---	---	---	---	---	---
28	Water Filter, In-Line	---	---	---	---	---	---	---
29	Ceiling Drain Assembly	---	---	---	---	---	---	---
30	Drain Tube Assembly	---	---	---	---	---	---	---
31	Cooling Fan Thermostat	---	02.16.120.00	02.16.120.00	02.16.120.00	02.16.120.00	02.16.120.00	02.16.120.00
32	Flip-Up Panel Assembly (optional)	---	R04.12.349.00	R04.12.349.00	R04.12.349.00	R04.12.349.00	R04.12.349.00	R04.12.349.00
	Wiring Diagram	---	10-01-733	10-01-733	10-01-659	10-01-659	10-01-659	10-01-659

The shaded areas contain information for **International models only.**



PARTS SPECIFIC TO MODEL FS2HAC-4PT

Item	Description	120V 60 Hz	120/208V 60 Hz	120/240V 60 Hz	220V 60 Hz	240V 60 Hz	220-230V CE 50/60 Hz	230-240V CE 50/60 Hz
8	Power Cord	---	02.18.128.00	02.18.128.00	02.18.111.00	02.18.111.00	02.18.038.00	02.18.103.00
9	Cord Grip	---	02.20.290.00	02.20.290.00	02.20.290.00	02.20.290.00	02.20.290.00	02.20.290.00
10	Heating Element, Air (Qty. 4)	---	R02.08.010A.00	R02.08.010A.00	R02.08.011F.00	R02.08.574E.00	R02.08.011F.00	R02.08.574E.00
11	Blower Fan Assembly, Twin	---						
	(Qty. 2)	---	R02.12.086.00	R02.12.086.00	R02.12.086.01	R02.12.086.01	R02.12.086.01	R02.12.086.01
12	Terminal Block	---	R02.15.046.00	R02.15.046.00	R02.15.046.00	R02.15.046.00	R02.15.046.00	R02.15.046.00
13	Transformer 230-120 Volt	---	---	---	---	---	---	---
14	Foot, Rubber (standard)	---	---	---	---	---	---	---
15	Leg, 4" (102 mm) (optional)	---	---	---	---	---	---	---
16	Decal, Control Panel	---	07.03.498.00	07.03.498.00	07.03.498.00	07.03.498.00	07.03.498.00	07.03.498.00
17	Crumb Tray (Qty. 2)	---	04.48.079.00	04.48.079.00	04.48.079.00	04.48.079.00	04.48.079.00	04.48.079.00
18	Cooling Fan Assembly	---	02.12.107.00	02.12.107.00	02.12.107.01	02.12.107.01	02.12.107.01	02.12.107.01
19	Fuse Block	---	---	---	---	---	---	---
20	Fuse	---	---	---	---	---	---	---
21	Fill Cup Assembly	---	---	---	---	---	---	---
22	Heating Element, Water	---	---	---	---	---	---	---
23	Solenoid Valve	---	---	---	---	---	---	---
24	Temperature Probe, Water	---	---	---	---	---	---	---
25	High Limit Disk	---	---	---	---	---	---	---
26	Probe, Low Water	---	---	---	---	---	---	---
27	Tubing, Water Line	---	---	---	---	---	---	---
28	Water Filter, In-Line	---	---	---	---	---	---	---
29	Ceiling Drain Assembly	---	---	---	---	---	---	---
30	Drain Tube Assembly	---	---	---	---	---	---	---
31	Cooling Fan Thermostat	---	02.16.120.00	02.16.120.00	02.16.120.00	02.16.120.00	02.16.120.00	02.16.120.00
32	Flip-Up Panel Assembly (optional)	---	R04.12.349.00	R04.12.349.00	R04.12.349.00	R04.12.349.00	R04.12.349.00	R04.12.349.00
	Wiring Diagram	---	10-01-733	10-01-733	10-01-659	10-01-659	10-01-659	10-01-659

The shaded areas contain information for **International models only**.



NOTES

HATCO AUTHORIZED PARTS DISTRIBUTORS

ALABAMA

Jones McLeod Appl. Svc.
Birmingham 205-251-0159

ARIZONA

Service Solutions Group
Phoenix 602-234-2443

Byassee Equipment Co.
Phoenix 602-252-0402

CALIFORNIA

Industrial Electric
Commercial Parts & Service, Inc.
Huntington Beach 714-379-7100

Chapman Appl. Service
San Diego 619-298-7106

P & D Appliance
Commercial Parts & Service, Inc.
S. San Francisco 650-635-1900

COLORADO

Hawkins Commercial Appliance
Englewood 303-781-5548

FLORIDA

Whaley Foodservice Repair
Jacksonville 904-725-7800

Nass Service Co., Inc.
Orlando 407-425-2681

B.G.S.I.
Pompano Beach 954-971-0456

Comm. Appliance Service
Tampa 813-663-0313

GEORGIA

TWC Services
Smyrna 770-438-9797

Heritage Service Group
Norcross 866-388-9837

Southeastern Rest. Svc.
Norcross 770-446-6177

HAWAII

Burney's Comm. Service, Inc.
Honolulu 808-848-1466

Food Equip Parts & Service
Honolulu 808-847-4871

ILLINOIS

Parts Town
Lombard 708-865-7278

Eichenauer Elec. Service
Decatur 217-429-4229

Midwest Elec. Appl. Service
Elmhurst 630-279-8000

Cone's Repair Service
Moline 309-797-5323

INDIANA

GCS Service
Indianapolis 317-545-9655

IOWA

Electric Motor Service Co.
Davenport 319-323-1823

Goodwin Tucker Group
Des Moines 515-262-9308

KENTUCKY

Service Solutions Group
Lexington 859-254-8854

Service Solutions Group
Louisville 502-451-5411

LOUISIANA

Chandlers Parts & Service
Baton Rouge 225-272-6620

MARYLAND

Electric Motor Service
Baltimore 410-467-8080

GCS Service
Silver Spring 301-585-7550

MASSACHUSETTS

Ace Service Co., Inc.
Needham 781-449-4220

MICHIGAN

Bildons Appliance Service
Detroit 248-478-3320

Commercial Kitchen Service
Bay City 517-893-4561

Midwest Food Equip. Service
Grandville 616-261-2000

MINNESOTA

GCS Service
Plymouth 800-345-4221

MISSOURI

General Parts
Kansas City 816-421-5400

Commercial Kitchen Services
St. Louis 314-890-0700

Kaemmerlen Parts & Service
St. Louis 314-535-2222

NEBRASKA

Anderson Electric
Omaha 402-341-1414

NEVADA

Burney's Commercial
Las Vegas 702-736-0006

Hi. Tech Commercial Service
N. Las Vegas 702-649-4616

NEW JERSEY

Jay Hill Repair
Fairfield 973-575-9145

Service Plus
Flanders 973-691-6300

NEW YORK

Acme American Repairs, Inc.
Brooklyn 718-456-6544

Alpro Service Co.
Brooklyn 718-386-2515

Appliance Installation
Buffalo 716-884-7425

Duffy's Equipment Services, Inc.
Buffalo 800-836-1014

3Wire Northern
Plattsburgh 800-634-5005

Duffy's Equipment Services, Inc.
Sauquoit 800-836-1014

J.B. Brady, Inc.
Syracuse 315-422-9271

NORTH CAROLINA

Authorized Appliance
Charlotte 704-377-4501

OHIO

Akron/Canton Comm. Svc. Inc.
Akron 330-753-6635

Service Solutions Group
Cincinnati 513-772-6600

Commercial Parts and Service
Columbus 614-221-0057

Electrical Appl. Repair Service
Independence 216-459-8700

E. A. Wichman Co.
Toledo 419-385-9121

OKLAHOMA

Hagar Rest. Service, Inc.
Oklahoma City 405-235-2184

Krueger, Inc.
Oklahoma City 405-528-8883

OREGON

Ron's Service, Inc.
Portland 503-624-0890

PENNSYLVANIA

Elmer Schultz Services
Philadelphia 215-627-5401

FAST Comm. Appl. Service
Philadelphia 215-288-4800

Appliance Installation & Service
Pittsburgh 412-809-0244

K & D Service Co.
Harrisburg 717-236-9039

Electric Repair Co.
Reading 610-376-5444

RHODE ISLAND

Marshall Electric Co.
Providence 401-331-1163

SOUTH CAROLINA

Whaley Foodservice Repair
W. Columbia 803-791-4420

TENNESSEE

Camp Electric
Memphis 901-527-7543

TEXAS

GCS Service
Fort Worth 800-433-1804

Armstrong Repair Service
Houston 713-666-7100

Cooking Equipment Specialist
Mesquite 972-686-6666

Commercial Kitchen Repair Co.
San Antonio 210-735-2811

UTAH

La Monica's Rest. Equip. Service
Murray 801-263-3221

VIRGINIA

Daubers
Norfolk 757-855-4097

Daubers
Springfield 703-866-3600

WASHINGTON

3Wire Restaurant Appliance
Seattle 866-770-2022

WISCONSIN

A.S.C., Inc.
Madison 608-246-3160

A.S.C., Inc.
Milwaukee 414-543-6460

CANADA

ALBERTA

Key Food Equipment Service
Edmonton 780-438-1690

BRITISH COLUMBIA

Key Food Equipment Service
Vancouver 604-433-4484

Key Food Equipment Service
Victoria 250-920-4888

MANITOBA

Air Rite, Inc.
Winnipeg 204-895-2300

NEW BRUNSWICK

EMR Services, Ltd.
Moncton 506-855-4228

ONTARIO

R.G. Henderson Ltd.
Toronto 416-422-5580

Choquette - CKS, Inc.
Ottawa 613-739-8458

QUÉBEC

Choquette - CKS, Inc.
Montreal 514-722-2000

Choquette - CKS, Inc.
Québec City 418-681-3944

UNITED KINGDOM

Marren Group
Northants +44(0)1933 666233

HATCO CORPORATION
P.O. Box 340500
Milwaukee, WI 53234-0500 U.S.A.
(800) 558-0607 (414) 671-6350
Parts and Service Fax (800) 690-2966
International Fax (414) 671-3976
partsandservice@hatcocorp.com
www.hatcocorp.com