

www.hatcocorp.com

Register Online!
(see page 2)

S'inscrire en ligne!
(voir page 12)



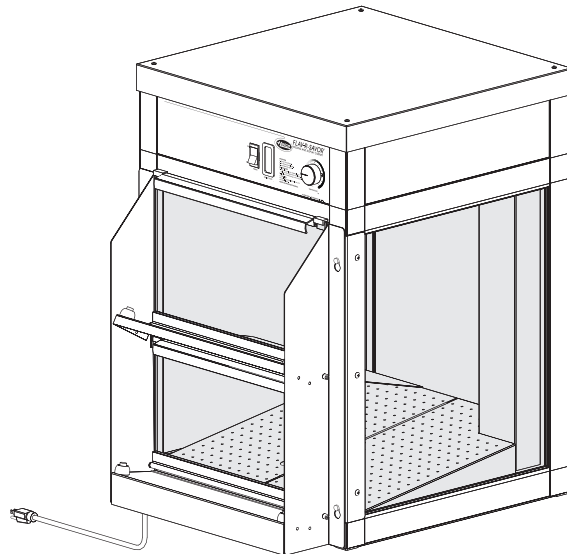
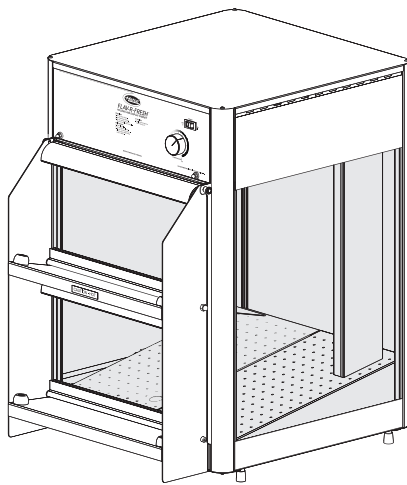
MACHO NACHO®

Chip Warmers
Chauffe Frites

FDWD-1-MN and FST-1-MN Series/Série

Installation and Operating Manual Manuel d'installation et d'utilisation

P/N 07.04.287.00



⚠ WARNING

Do not operate this equipment unless you have read and understood the contents of this manual! Failure to follow the instructions contained in this manual may result in serious injury or death. This manual contains important safety information concerning the maintenance, use, and operation of this product. If you're unable to understand the contents of this manual, please bring it to the attention of your supervisor. Keep this manual in a safe location for future reference.

English = p 2

⚠ ADVERTENCIA

No opere este equipo al menos que haya leído y comprendido el contenido de este manual! Cualquier falla en el seguimiento de las instrucciones contenidas en este manual puede resultar en un serio lesión o muerte. Este manual contiene importante información sobre seguridad concerniente al mantenimiento, uso y operación de este producto. Si usted no puede entender el contenido de este manual por favor pregunte a su supervisor. Almacenar este manual en una localización segura para la referencia futura.

⚠ AVERTISSEMENT

Ne pas utiliser cet équipement sans avoir lu et compris le contenu de ce manuel ! Le non-respect des instructions contenues dans ce manuel peut entraîner de graves blessures ou la mort. Ce manuel contient des informations importantes concernant l'entretien, l'utilisation et le fonctionnement de ce produit. Si vous ne comprenez pas le contenu de ce manuel, veuillez le signaler à votre supérieur. Conservez ce manuel dans un endroit sûr pour pouvoir vous y référer plus tard.

Français = p 12

Important Owner Information	2	Operation	8
Introduction	2	General	8
Important Safety Information	3	Maintenance	9
Model Description	4	General	9
Model Designation	4	Daily Cleaning	9
Specifications	5	Removing the Glass Side Panels	9
Plug Configurations	5	Replacing a Display Light Bulbs	9
Electrical Rating Chart	5	Troubleshooting Guide	10
Dimensions	6	Options and Accessories	11
Installation	7	Limited Warranty	11
General	7	Authorized Parts Distributors	Back Cover

IMPORTANT OWNER INFORMATION

Record the model number, serial number, voltage, and purchase date of the unit in the spaces below (specification label located on the operator side of the unit). Please have this information available when calling Hatco for service assistance.

Model No. _____

Serial No. _____

Voltage _____

Date of Purchase _____

Register your unit!

Completing online warranty registration will prevent delay in obtaining warranty coverage. Access the Hatco website at www.hatcocorp.com, select the *Parts & Service* pull-down menu, and click on "Warranty Registration".

Business

Hours: 8:00 AM to 5:00 PM Central Standard Time (CST)
(Summer Hours: June to September—
8:00 AM to 5:00 PM CST Monday–Thursday
8:00 AM to 2:30 PM CST Friday)

Telephone: 800-558-0607; 414-671-6350

e-mail: partsandservice@hatcocorp.com

Fax: 800-690-2966 (Parts and Service)
414-671-3976 (International)



24 Hour 7 Day Parts and Service Assistance available in the United States and Canada by calling 800-558-0607.

Additional information can be found by visiting our web site at www.hatcocorp.com.

INTRODUCTION

The Hatco Macho Nacho® Chip Warmer is designed to hold nacho chips for prolonged periods of time while maintaining that "just-made" quality. Hatco Chip Warmers provide the best environment for food products by regulating the air temperature. Macho Nacho models use hot air only (no moisture) that is circulated through distribution panels at the base. This prevents the loss of natural oils, eliminating the need to frequently replace stale chips.

Hatco Macho Nacho Chip Warmers are products of extensive research and field testing. The materials used were selected for maximum durability, attractive appearance, and optimum performance. Every unit is inspected and tested thoroughly prior to shipment.

This manual provides installation, safety, and operating instructions for Macho Nacho Chip Warmers. Hatco recommends all installation, operating, and safety instructions appearing in this manual be read prior to installation or operation of a unit.

Safety information that appears in this manual is identified by the following signal word panels:



WARNING indicates a hazardous situation which, if not avoided, could result in death or serious injury.



CAUTION indicates a hazardous situation which, if not avoided, could result in minor or moderate injury.



NOTICE is used to address practices not related to personal injury.



Read the following important safety information before using this equipment to avoid serious injury or death and to avoid damage to equipment or property.

WARNING

ELECTRIC SHOCK HAZARD:

- Plug unit into a properly grounded electrical receptacle of the correct voltage, size, and plug configuration. If plug and receptacle do not match, contact a qualified electrician to determine and install proper voltage and size electrical receptacle.
- Turn OFF power switch, unplug power cord, and allow unit to cool before performing any cleaning, adjustments, or maintenance.
- DO NOT submerge or saturate with water. Unit is not waterproof. Do not operate if unit has been submerged or saturated with water.
- Unit is not weatherproof. Locate unit indoors where ambient air temperature is a minimum of 70°F (21°C).
- Do not steam clean or use excessive water on unit.
- This unit is not “jet-proof” construction. Do not use jet-clean spray to clean this unit.
- Do not pull unit by power cord.
- Discontinue use if power cord is frayed or worn.
- Do not attempt to repair or replace a damaged power cord. The cord must be replaced by Hatco, an Authorized Hatco Service Agent, or a person with similar qualifications.
- This unit must be serviced by qualified personnel only. Service by unqualified personnel may lead to electric shock or burn.
- Use only Genuine Hatco Replacement Parts when service is required. Failure to use Genuine Hatco Replacement Parts will void all warranties and may subject operators of the equipment to hazardous electrical voltage, resulting in electrical shock or burn. Genuine Hatco Replacement Parts are specified to operate safely in the environments in which they are used. Some aftermarket or generic replacement parts do not have the characteristics that will allow them to operate safely in Hatco equipment.

FIRE HAZARD: Locate unit a minimum of 1" (25 mm) from combustible walls and materials. If safe distances are not maintained, discoloration or combustion could occur.

WARNING

Use only light bulbs that meet or exceed National Sanitation Foundation (NSF) standards and are specifically designed for food holding areas. Breakage of light bulbs not specially-coated could result in personal injury and/or food contamination.

Make sure all operators have been instructed on the safe and proper use of the unit.

This unit is not intended for use by children or persons with reduced physical, sensory, or mental capabilities. Ensure proper supervision of children and keep them away from the unit.

Hatco Corporation is not responsible for actual food product serving temperature. It is the responsibility of the user to ensure that food product is held and served at a safe temperature.

This unit has no “user-serviceable” parts. If service is required on this unit, contact an Authorized Hatco Service Agent or contact the Hatco Service Department at 800-558-0607 or 414-671-6350; fax 800-690-2966; or International fax 414-671-3976.

CAUTION

BURN HAZARD: Some exterior surfaces on the unit will get hot. Use caution when touching these areas.

Locate unit at the proper counter height in an area that is convenient for use. The location should be level to prevent the unit or its contents from falling accidentally and strong enough to support the weight of the unit and contents.

Transport unit in upright position only. Before moving or tipping unit, secure all glass surfaces, doors, pan rails, and/or skirts with tape. Failure to do so may result in damage.

NOTICE

Use non-abrasive cleaners and cloths only. Abrasive cleaners and cloths could scratch finish of unit, marring its appearance and making it susceptible to soil accumulation. Use of abrasive materials will void warranty.

Clean unit daily to avoid malfunctions and maintain sanitary operation.

All Models

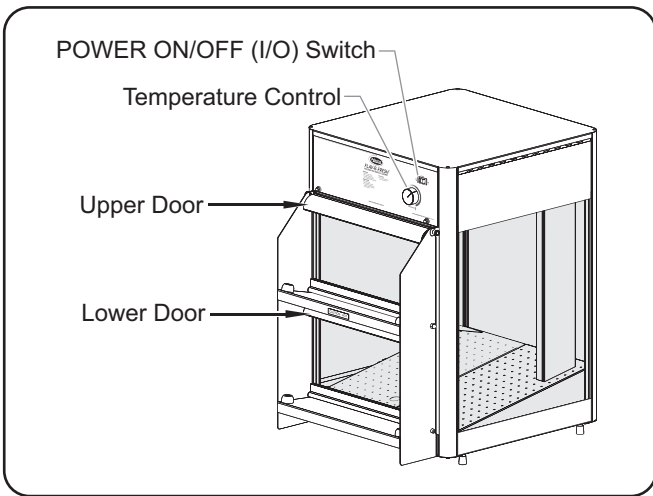
Hatco Macho Nacho® Chip Warmers are high-visibility merchandisers for warming and displaying nacho chips. The unique air flow forces warm air to the bottom and is distributed into the cabinet through holes in the floor panels directing maximum heat to the chips being served. Air is circulated to prevent the loss of natural oils, eliminating the need to frequently replace stale chips.

Macho Nacho's unique two-door design allows for first-in, first-out chip delivery and permits easy loading and serving. Chips flow to the customer side of the cabinet when loading through the upper door, and slanted floor panels slide the heated chips back to the lower door for serving.

User-friendly controls make the Macho Nacho units easy to operate. Common controls include a POWER ON/OFF (I/O) switch and a TEMPERATURE control. Units are equipped with a 6' (1829 mm) power cord with plug. Only minimal maintenance is required.

FDWD-1-MN Model

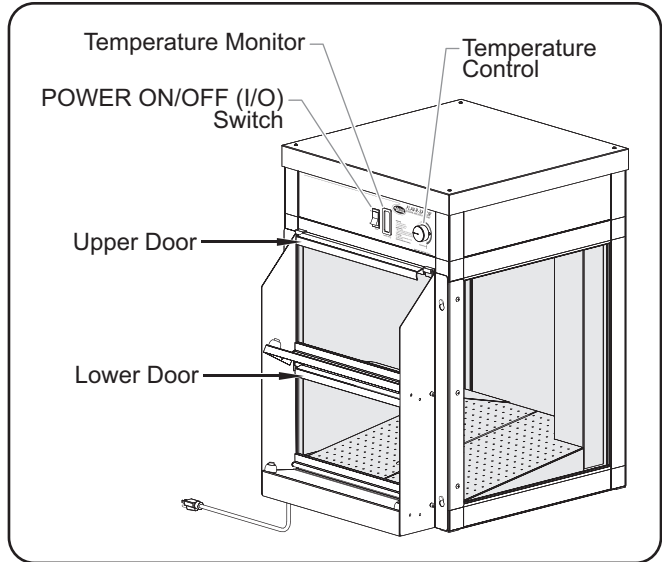
The FDWD-1-MN Model is built of stainless steel with tempered glass sides and doors. The unit holds up to 25 lbs. (11 kg) of chips. The glass side panels and floor panels are removable for easy cleaning.



FDWD-1-MN

FST-1-MN Model

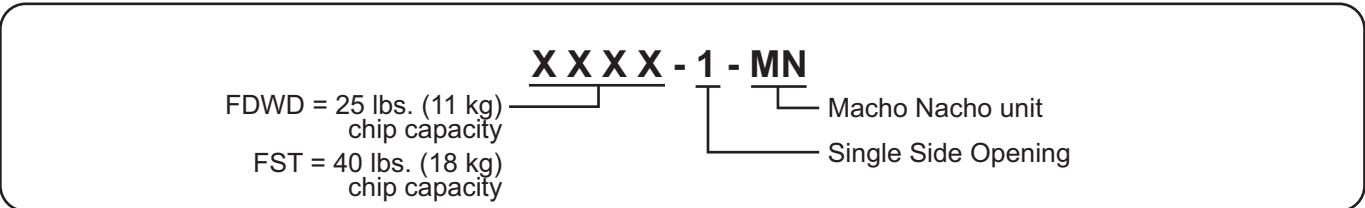
The FST-1-MN Model is built of stainless steel and aluminum with tempered glass sides and doors. In addition to the controls listed above, this model includes a CABINET TEMP monitor that displays the internal temperature of the cabinet. An anodized bronze exterior is standard. The unit holds up to 40 lbs. (18 kg) of chips.



FST-1-MN

NOTE: Refer to the OPTIONS AND ACCESSORIES section for additional options available for the above models.

MODEL DESIGNATION



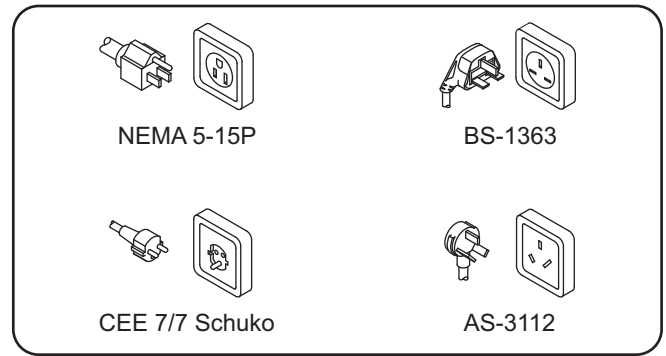
Plug Configurations

Units are supplied from the factory with an electrical cord and plug installed. Plugs are supplied according to the applications.



ELECTRIC SHOCK HAZARD: Plug unit into a properly grounded electrical receptacle of the correct voltage, size, and plug configuration. If plug and receptacle do not match, contact a qualified electrician to determine and install proper voltage and size electrical receptacle.

NOTE: Specification label is located on the operator side of the unit. See label for serial number and verification of unit electrical information.



Plug Configurations

NOTE: Receptacle not supplied by Hatco.

Electrical Rating Chart

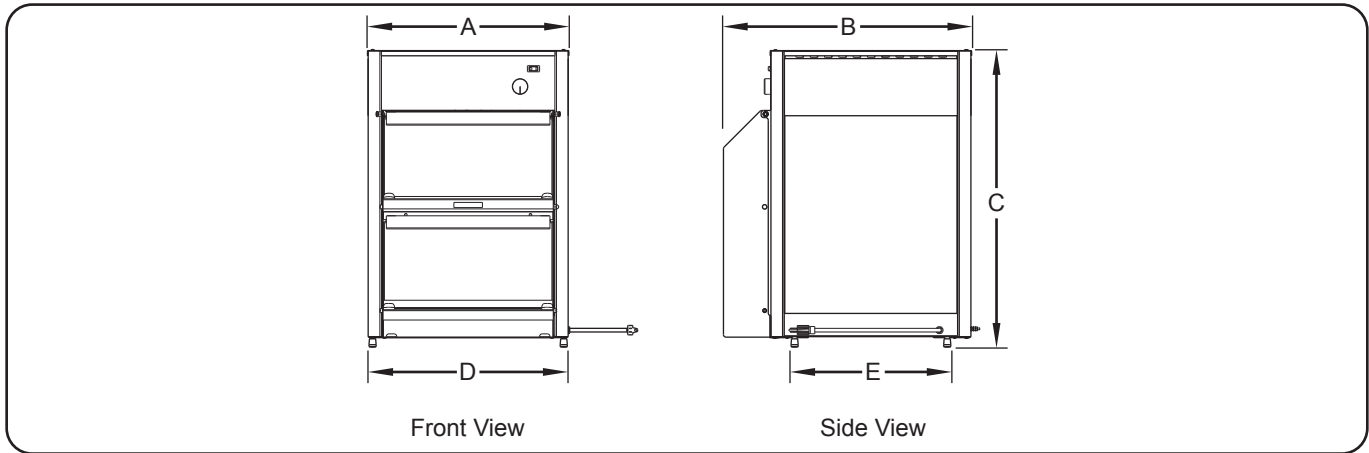
Model	Voltage	Hertz	Watts	Amps	Plug Configuration	Shipping Weight
FDWD-1-MN	100	60	1106	11.1	NEMA 5-15P	101 lbs. (46 kg)
	120	60	1080	9.0	NEMA 5-15P	101 lbs. (46 kg)
	220	50/60	950	4.3	CEE 7/7 Schuko	101 lbs. (46 kg)
	240	50/60	1129	4.7	BS-1363 or AS-3112	101 lbs. (46 kg)
	220–230 (CE)	50/60	950–1036	4.3–4.5	CEE 7/7 Schuko	101 lbs. (46 kg)
	230–240 (CE)	50/60	1036–1129	4.5–4.7	BS-1363	101 lbs. (46 kg)
FST-1-MN	120	60	1245	10.4	NEMA 5-15P	132 lbs. (60 kg)
	220	50/60	1219	5.6	CEE 7/7 Schuko	132 lbs. (60 kg)
	240	50/60	1252	5.2	BS-1363	132 lbs. (60 kg)
	220–230 (CE)	50/60	1219–1332	5.6–5.8	CEE 7/7 Schuko	132 lbs. (60 kg)
	230–240 (CE)	50/60	1150–1252	5.0–5.2	BS-1363	132 lbs. (60 kg)

The shaded areas contain electrical information for **International models only**.

Dimensions

Model	Width (A)	Depth (B)	Height (C)	Footprint Width (D)	Footprint Depth (E)
FDWD-1-MN	19-3/8" (492 mm)	24" (608 mm)	28-3/4" * (729 mm)	19-1/16" (485 mm)	15-3/8" (390 mm)
FST-1-MN	22-7/8" (579 mm)	27" (686 mm)	32-3/4" (831 mm)	19" (483 mm)	18-11/16" (475 mm)

* Add 3" (76 mm) to the height of the unit if the 4" leg option is installed.



Dimensions

Door Opening Dimensions

Model	Cabinet Opening Width	Upper Door Opening Height	Lower Door Opening Height
FDWD-1-MN	16-3/8" (416 mm)	9-1/8" (233 mm)	9-1/16" (230 mm)
FST-1-MN	18-5/8" (474 mm)	11-3/16" (285 mm)	9-7/8" (251 mm)

General

Hatco Macho Nacho® Chip Warmers are shipped with most components installed and ready for operation. The following installation instructions must be performed before plugging in and operating the cabinet.

⚠ WARNING

ELECTRIC SHOCK HAZARD: Unit is not weatherproof. Locate unit indoors where the ambient air temperature is a minimum of 70°F (21°C).

FIRE HAZARD: Locate unit a minimum of 1" (25 mm) from combustible walls and materials. If safe distances are not maintained, discoloration or combustion could occur.

⚠ CAUTION

Locate unit at the proper counter height in an area that is convenient for use. The location should be level to prevent the unit or its contents from falling accidentally and strong enough to support the weight of the unit and contents.

Transport unit in upright position only. Before moving or tipping unit, secure all glass surfaces, doors, pan rails, and/or skirts with tape. Failure to do so may result in damage.

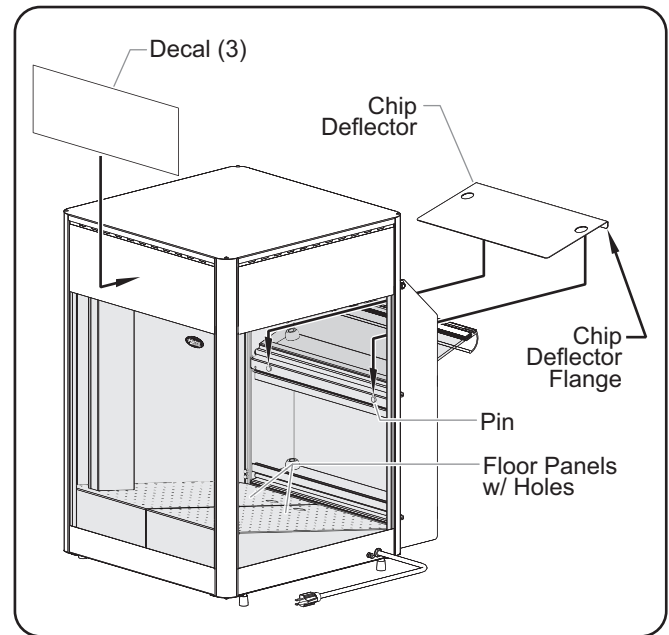
1. Remove the unit from the carton. Two people are required for this step.
2. Remove the information packet.

NOTE: To prevent delay in obtaining warranty coverage, complete online warranty registration. See the IMPORTANT OWNER INFORMATION section for details.

3. Remove tape and protective packaging from all surfaces of the unit, shelves, and any accessories.
 - Legs — The cabinets are shipped with four rubber feet attached to the bottom of the unit. For cabinets with the accessory 4" (102 mm) adjustable legs, see the OPTIONS AND ACCESSORIES section for installation instructions.
4. Install the chip deflector behind the upper door.
 - FDWD-1-MN Models—Two holes on the chip deflector flange slide over two pins at the bottom of the upper door frame.
 - FST-1-MN Models—The chip deflector flange slides behind the flange at the bottom of the upper door frame.
5. Install the decals on the three side panels above the glass side panels.
 - a. Clean the side panels with a non-oily cleaner, such as rubbing alcohol.
 - b. When the side panels have dried, remove the protective backing from the decal and apply it to the panel.
 - c. Remove any air pockets or bubbles behind the decal by rubbing gently with a soft cloth, working from the center of the decal towards the outer edges.

6. Place the unit in the desired location. Two people are required for this step.

- Locate the unit in an area where the ambient air temperature is constant and a minimum of 70° F (21° C). Avoid areas that may be subject to active air movements or currents (i.e., near exhaust fans/hoods and air conditioning ducts).
- Make sure the unit is at the proper counter height in an area convenient for use.
- Make sure the countertop is level and strong enough to support the weight of the unit and food product.



Assembling a FDWD-1-MN Model

General

Use the following procedures to operate a Macho Nacho® Chip Warmer.



Read all safety messages in the **IMPORTANT SAFETY INFORMATION** section before operating this equipment.

Startup

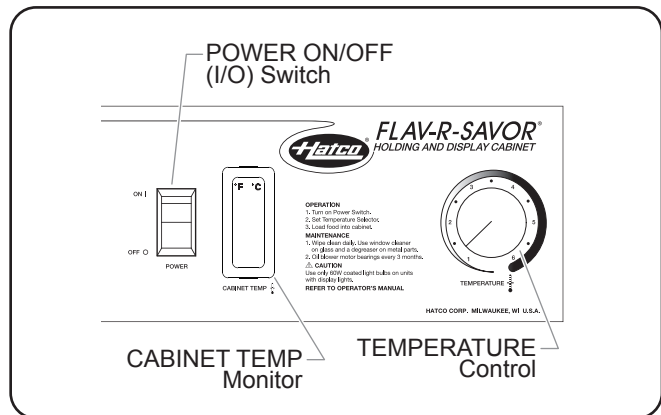
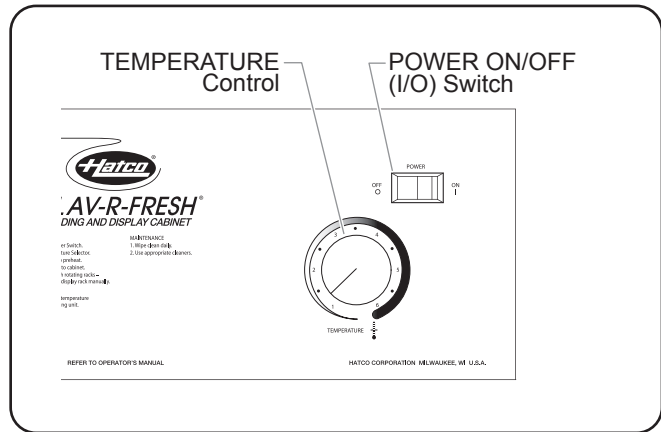
1. Plug unit into a properly grounded electrical receptacle of the correct voltage, size, and plug configuration. See the SPECIFICATIONS section for details.
2. Move the Power ON/OFF (I/O) switch to the ON (I) position.
3. Set the TEMPERATURE Control to the desired temperature setting.
4. Allow 20 minutes to heat the cabinet to operating temperature.
5. Open the upper door and fill the unit with chips.



BURN HAZARD: Some exterior surfaces on the unit will get hot. Use caution when touching these areas.

Shutdown

1. Move the Power ON/OFF (I/O) switch to the OFF (O) position.
2. Allow the unit to cool, and perform the “Cleaning” procedure in the MAINTENANCE section of this manual.



General

Hatco Macho Nacho Chip Warmers are designed for maximum durability and performance, with minimum maintenance.



WARNING

ELECTRIC SHOCK HAZARD:

- Turn OFF power switch, unplug power cord, and allow unit to cool before performing any cleaning, adjustments, or maintenance.
- DO NOT submerge or saturate with water. Unit is not waterproof. Do not operate if unit has been submerged or saturated with water.
- Do not steam clean or use excessive water on unit.
- This unit is not “jet-proof” construction. Do not use jet-clean spray to clean this unit.
- Use only Genuine Hatco Replacement Parts when service is required. Failure to use Genuine Hatco Replacement Parts will void all warranties and may subject operators of the equipment to hazardous electrical voltage, resulting in electrical shock or burn. Genuine Hatco Replacement Parts are specified to operate safely in the environments in which they are used. Some aftermarket or generic replacement parts do not have the characteristics that will allow them to operate safely in Hatco equipment.

This unit has no “user-serviceable” parts. If service is required on this unit, contact an Authorized Hatco Service Agent or contact the Hatco Service Department at 800-558-0607 or 414-671-6350; fax 800-690-2966; or International fax 414-671-3976.

Daily Cleaning

To preserve the finish of the unit, perform the following cleaning procedure daily.

NOTICE

Use non-abrasive cleaners and cloths only. Abrasive cleaners and cloths could scratch finish of unit, marring its appearance and making it susceptible to soil accumulation. Use of abrasive materials will void warranty.

1. Turn off the unit, unplug the power cord, and allow the unit to cool.
2. Remove the door panel assembly for better access to the inside of the unit.
 - FDWD-1-MN Models—Pull out and rotate the locking pins in the upper mounting brackets at the top of each side of the door panel assembly. Pull the door panel assembly up and away from unit.
 - FST-1-MN Models—Lift up the door panel assembly and pull off of the four mounting pins (two on each side of the assembly).
3. Empty all remaining food product from unit.
4. Wipe down all interior and exterior metal surfaces with a damp cloth. Stubborn stains may be removed with a good non-abrasive cleaner. Clean hard to reach areas using a small brush and mild soap.

NOTE: The floor panels are removable for ease of cleaning. The cabinet floor is accessible for cleaning when the floor panels are removed.

5. Clean the glass side panels and door panels using ordinary glass cleaner and a damp, soft cloth or paper towel.

- FDWD-1-MN models—The side panels are removable for detailed cleaning, if necessary. Refer to the “Removing the Glass Side Panels” procedure in this section for removal.

6. Secure the door panel assembly to the unit.

- FDWD-1-MN Models—Set the door panel assembly on the bottom bracket. Align the mounting holes at the top of the door panel assembly with the locking pins in the two upper mounting brackets. Release the locking pins by rotating slightly, and make sure they lock into the door panel assembly.

- On FST-1-MN Models—Align the four holes on the door panel assembly with the four mounting pins on the unit, and guide the door panel assembly down into position.

Removing the Glass Side Panels (FDWD-1-MN)

Use the following procedures for FDWD-1-MN models only. Glass is non-removable on FST-1-MN models.

1. Lift the glass panel out of the bottom channel of the cabinet.
2. Pull the lower edge away from the cabinet.
3. Carefully lower the glass until the top clears the cabinet.

Replacing the Glass Panel (FDWD-1-MN)

1. Position the glass panel with the top edge under the top cabinet lip, and raise the glass until it clears the bottom channel of the cabinet.
2. Move the bottom of the glass towards the cabinet until the glass rests against the cabinet frame.
3. Carefully lower the glass until it rests in the bottom channel of the cabinet.

Replacing Display Light Bulbs



WARNING

Use only light bulbs that meet or exceed National Sanitation Foundation (NSF) standards and are specifically designed for food holding areas. Breakage of light bulbs not specially coated could result in personal injury and/or food contamination.

The display lights are incandescent light bulbs that illuminate the warming area. Each bulb has a special coating to guard against injury and food contamination in the event of breakage.

1. Turn off the unit, unplug the power cord, and allow the unit to cool.
2. Unscrew the light bulb from the unit and replace it with a new, specially-coated incandescent light bulb.

NOTE: Hatco shatter-resistant light bulbs meet NSF standards for food holding and display areas. For 100 and 120 volt applications, use Hatco P/N 02.30.043.00. For 220, 240, 220–230, and 230–240 volt applications, use Hatco P/N 02.30.058.00.



WARNING

This unit must be serviced by trained and qualified personnel only. Service by unqualified personnel may lead to electric shock or burn.



WARNING

ELECTRIC SHOCK HAZARD: Turn OFF power switch, unplug power cord, and allow unit to cool before performing any cleaning, adjustments, or maintenance.

Symptom	Probable Cause	Corrective Action
Display light(s) not working.	Light bulb(s) loose or defective.	Re-install or replace light bulb(s).
Unit operates, but is not circulating air inside cabinet.	Blower motor is defective.	Contact Authorized Service Agent or Hatco for assistance.
	The correct voltage may not be supplied to blower.	Contact Authorized Service Agent or Hatco for assistance.
Unit is plugged in, but nothing works.	No power to unit.	Check electrical receptacle and verify that power supply matches specifications on unit. If receptacle is not working, check circuit breaker and reset, or plug unit into a different known working receptacle.
	Power cord connections are loose or disconnected.	Contact Authorized Service Agent or Hatco for assistance.
	Power cord is damaged.	Contact Authorized Service Agent or Hatco for assistance.
	Defective POWER ON/OFF (I/O) switch.	Contact Authorized Service Agent or Hatco for assistance.
Unit is not producing any "hot air" inside cabinet.	Safety high-limit is tripped or open.	Contact Authorized Service Agent or Hatco for assistance.
	Incorrect voltage supplied to heating element.	Contact Authorized Service Agent or Hatco for assistance.
	Blower motor is not working.	Check blower motor — refer to Symptom "Unit operates, but is not circulating air inside cabinet."
	Air heating element is defective.	Contact Authorized Service Agent or Hatco for assistance.

Troubleshooting Questions?

If you continue to have problems resolving an issue, please contact the nearest Authorized Hatco Service Agency or Hatco for assistance. To locate the nearest Service Agency, log onto the Hatco website at www.hatcocorp.com and click on *Find Service Agent*, or contact the **Hatco Parts and Service Team** at:

Telephone: 800-558-0607 or 414-671-6350

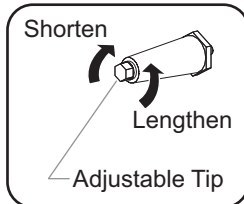
e-mail: partsandservice@hatcocorp.com

Fax: 800-690-2966 or 414-671-3976

4" (102 mm) Adjustable Legs

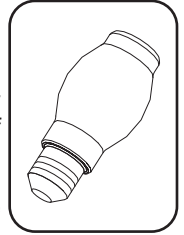
The 4" (102 mm) adjustable legs are used to add additional height to the unit.

1. Remove the chip deflector and the floor panels and secure the doors with tape.
2. Carefully lay the unit on its side. Two people are required for this step.
3. Remove the four rubber feet.
4. Screw the 4" (102 mm) legs into the holes in the bottom cover. After all the legs are tightened, return the unit to its upright position. If the unit is not level or rocks, turn the adjustable tip of the appropriate leg to level the unit.



Halogen Display Light Bulbs

Shatter-resistant halogen display light bulbs can be ordered in place of the standard incandescent display light bulbs. The bulbs have a special coating to guard against injury and food contamination in the event of breakage. For 100 and 120 volt applications, use Hatco P/N 02.30.081.00. For 220, 240, 220–230, and 230–240 volt applications, use Hatco P/N 02.30.082.00.



LIMITED WARRANTY

1. PRODUCT WARRANTY

Hatco warrants the products that it manufactures (the "Products") to be free from defects in materials and workmanship, under normal use and service, for a period of one (1) year from the date of purchase when installed and maintained in accordance with Hatco's written instructions or 18 months from the date of shipment from Hatco. Buyer must establish the Product's purchase date by registering the Product with Hatco or by other means satisfactory to Hatco in its sole discretion.

Hatco warrants the following Product components to be free from defects in materials and workmanship from the date of purchase (subject to the foregoing conditions) for the period(s) of time and on the conditions listed below:

a) One (1) Year Parts and Labor PLUS One (1) Additional Year Parts-Only Warranty:

Conveyor Toaster Elements (metal sheathed)
 Drawer Warmer Elements (metal sheathed)
 Drawer Warmer Drawer Rollers and Slides
 Strip Heater Elements (metal sheathed)
 Display Warmer Elements (metal sheathed air heating)
 Holding Cabinet Elements (metal sheathed air heating)
 Heated Well Elements — HW and HWB Series
 (metal sheathed)

b) One (1) Year Parts and Labor PLUS Four (4) Years Parts-Only Warranty:

3CS and FR Tanks

c) One (1) Year Parts and Labor PLUS Nine (9) Years Parts-Only Warranty on:

Electric Booster Heater Tanks
 Gas Booster Heater Tanks

d) Ninety (90) Day Parts-Only Warranty:

Replacement Parts

THE FOREGOING WARRANTIES ARE EXCLUSIVE AND IN LIEU OF ANY OTHER WARRANTY, EXPRESSED OR IMPLIED, INCLUDING BUT NOT LIMITED TO ANY IMPLIED WARRANTY OF MERCHANTABILITY OR FITNESS FOR A PARTICULAR PURPOSE OR PATENT OR OTHER INTELLECTUAL PROPERTY RIGHT INFRINGEMENT. Without limiting the generality of the foregoing, SUCH WARRANTIES DO NOT COVER: Coated incandescent light bulbs, fluorescent lights, heat lamp bulbs, coated halogen light bulbs, halogen heat lamp bulbs, xenon light bulbs, LED light tubes, glass components, and fuses; Product failure in booster tank, fin tube heat exchanger, or other water heating equipment caused by liming, sediment buildup, chemical attack, or freezing; or Product misuse, tampering or misapplication, improper installation, or application of improper voltage.

2. LIMITATION OF REMEDIES AND DAMAGES

Hatco's liability and Buyer's exclusive remedy hereunder will be limited solely, at Hatco's option, to repair or replacement using new or refurbished parts or Product by Hatco or a Hatco-authorized service agency (other than where Buyer is located outside of the United States, Canada, United Kingdom, or Australia, in which case Hatco's liability and Buyer's exclusive remedy hereunder will be limited solely to replacement of part under warranty) with respect to any claim made within the applicable warranty period referred to above. Hatco reserves the right to accept or reject any such claim in whole or in part. In the context of this Limited Warranty, "refurbished" means a part or Product that has been returned to its original specifications by Hatco or a Hatco-authorized service agency. Hatco will not accept the return of any Product without prior written approval from Hatco, and all such approved returns shall be made at Buyer's sole expense. HATCO WILL NOT BE LIABLE, UNDER ANY CIRCUMSTANCES, FOR CONSEQUENTIAL OR INCIDENTAL DAMAGES, INCLUDING BUT NOT LIMITED TO LABOR COSTS OR LOST PROFITS RESULTING FROM THE USE OF OR INABILITY TO USE THE PRODUCTS OR FROM THE PRODUCTS BEING INCORPORATED IN OR BECOMING A COMPONENT OF ANY OTHER PRODUCT OR GOODS.

Informations Importantes pour le Propriétaire	12	Mode d'emploi	18
Introduction	12	Généralités	18
Consignes de Sécurité Importantes	13	Maintenance	18
Description du Modèle	14	Généralités	18
Désignation du Modèle	14	Nettoyage quotidien	19
Caractéristiques Techniques	15	Retrait des panneaux en verre latéraux	19
Configuration des fiches.....	15	Remplacement des ampoules d'une vitrine	19
Tableau des valeurs nominales électriques	15	Guide de Dépannage	20
Dimensions	16	Options et accessoires	21
Installation	17	Garantie Limitée Internationale	22
Généralités.....	17	Autorisés Distributeurs de Pièces	Couverture Arrière

INFORMATIONS IMPORTANTES POUR LE PROPRIÉTAIRE

Noter le numéro de modèle, le numéro de série, le voltage et la date d'achat de votre appareil ci-dessous (l'étiquette des caractéristiques du produit se situe sur la partie commande de l'appareil). Veuillez avoir cette information à portée de la main si vous appelez Hatco pour assistance.

Modèle No. _____

Numéro de série _____

Voltage _____

Date d'achat _____

Enregistrez votre appareil!

Remplissez la garantie en ligne pour éviter les retards pour faire jouer la garantie. Accédez au site Web Hatco : www.hatcocorp.com, sélectionnez le menu déroulant Parts & Service, puis cliquez sur Warranty Registration.

Horaires
ouvrables: 8h00 à 17h00
Heure du Centre des États-Unis (CST)
(Horaires d'été : juin à septembre—
8h00 à 17h00 CST du lundi au jeudi
8h00 à 14h30 CST le vendredi)

Téléphone : 800-558-0607; 414-671-6350

Courriel : partsandservice@hatcocorp.com

Télécopieur : 800-690-2966 (Pièces et Service après-vente)
414-671-3976 (International)



Service d'assistance et de pièces de rechange disponible 7j/7, 24h/24 aux États-Unis et au Canada en composant le 800-558-0607.

Des renseignements supplémentaires sont disponibles sur notre site Web à www.hatcocorp.com.

INTRODUCTION

Le chauffe frites Macho Nacho® de Hatco est conçu pour maintenir des frites nacho à une température optimale pendant une longue durée en conservant la même qualité que si elles venaient d'être préparées. Le chauffe frites Hatco est le moyen idéal de conserver les aliments car il régule la température de l'air. Les modèles Macho Nacho fonctionnent uniquement à l'air chaud (sans humidité) qui circule à travers des panneaux de distribution qui se situent au bas de l'appareil. Ce procédé permet de conserver les huiles naturelles, évitant ainsi aux frites de rassir.

Les chauffe frites Macho Nacho de Hatco sont le résultat de longues recherches et de nombreux essais sur le terrain. Les matériaux utilisés ont été sélectionnés pour un maximum de durabilité, une belle apparence et une performance optimale. Chaque appareil est minutieusement inspecté et testé avant expédition.

Ce manuel contient les instructions d'installation, de sécurité et d'utilisation du chauffe frites Macho Nacho. Hatco vous recommande de lire l'ensemble des instructions d'installation et d'utilisation et toutes les consignes de sécurité dans ce manuel avant d'installer et d'utiliser l'appareil.

Les consignes de sécurité qui apparaissent dans ce manuel sont identifiées par les mots indicateurs suivants :

⚠ AVERTISSEMENT

AVERTISSEMENT indique une situation dangereuse qui, si elle n'est pas évitée, peut provoquer la mort ou des blessures graves.

⚠ ATTENTION

ATTENTION indique une situation dangereuse qui, si elle n'est pas évitée, peut provoquer des blessures légères ou moyennes.

AVIS

AVIS est utilisé pour des questions sans rapport avec des blessures corporelles.



Lisez l'information de sécurité importante suivante avant d'utiliser cet équipement pour éviter des dommages ou la mort sérieux et pour éviter d'endommager l'équipement ou la propriété.

AVERTISSEMENT

DANGER DE DÉCHARGE ÉLECTRIQUE :

- Brancher l'appareil sur une prise de courant avec terre de tension, de format et de configuration des broches corrects. Si la fiche et la prise ne se correspondent pas, s'adresser à un électricien qualifié pour déterminer et installer une prise de courant de format et de tension corrects.
- Éteignez l'appareil, débranchez le cordon d'alimentation et laissez refroidir avant une maintenance ou un nettoyage.
- NE PAS immerger l'appareil ni le saturer d'eau. L'appareil n'est pas étanche à l'eau. Ne pas le faire fonctionner s'il a été immergé ou saturé d'eau.
- L'appareil n'est pas à l'épreuve des intempéries. Placer l'appareil à l'intérieur à une température ambiante de 21°C (70°F) minimum.
- Ne pas nettoyer à la vapeur ni utiliser trop d'eau sur l'appareil.
- Cet appareil n'est pas étanche aux jets. Ne pas utiliser de jet sous pression pour nettoyer l'appareil.
- Ne pas tirer l'appareil par son cordon électrique.
- Ne pas utiliser l'appareil si le cordon est endommagé ou usé.
- Ne pas tenter de réparer ni de changer un cordon électrique endommagé. Ce cordon doit être changé par Hatco, par un réparateur Hatco agréé ou par une personne de qualifications comparables.
- La réparation de cet appareil doit être confiée exclusivement à du personnel qualifié. Les réparations par des personnes non qualifiées peuvent provoquer des décharges électriques et des brûlures.
- Pour les réparations, utiliser exclusivement des pièces de rechange Hatco d'origine. Utilisez des pièces détachées Hatco authentiques sous peine d'annuler toutes les garanties et d'exposer l'utilisateur à des tensions électriques dangereuses pouvant entraîner une électrocution ou des brûlures. Les pièces de rechange Hatco d'origine sont conçues pour fonctionner sans danger dans les environnements dans lesquels elles sont utilisées. Certaines pièces de rechange génériques ou de second marché ne présentent pas les caractéristiques leur permettant de fonctionner sans danger dans la matériel Hatco.

DANGER D'INCENDIE: Placer l'appareil à un minimum de 25 mm (1") des parois et matières combustibles. Si une distance sûre n'est pas maintenue, la chaleur peut provoquer une combustion ou une altération de couleur.

AVERTISSEMENT

N'utilisez que des ampoules électriques qui correspondent ou qui surpassent les normes de la Fondation Nationale des Affaires Sanitaires (NSF) et qui sont spécifiquement conçues pour les espaces de conservation des aliments. Les bris d'une ampoule non équipée d'un revêtement adapté peuvent provoquer des dommages corporels et/ou une contamination des aliments.

Hatco Corporation n'est pas responsable de la température réelle à laquelle les aliments sont servis. Il est de la responsabilité de l'utilisateur de s'assurer que les produits alimentaires sont maintenus et servis à une température sans danger.

Assurez-vous que tous les opérateurs ont été formés à l'utilisation sûre et correcte de l'appareil.

Cet appareil ne doit pas être utilisé par des enfants ou des personnes avec des capacités physiques, sensorielles ou mentales diminuées. Assurez-vous que les enfants sont bien surveillés et tenez-les à l'écart de l'appareil.

Cet appareil ne contient aucune pièce réparable par l'utilisateur. Si cet appareil doit être réparé, contacter un réparateur Hatco agréé ou le Service après-vente Hatco au 800-558-0607 ou 414-671-6350 ; télécopieur 800-690-2966; télécopieur internationale 414-671-3976.

ATTENTION

DANGER DE BRÛLURE: Certaines surfaces extérieures de l'appareil deviennent chaudes. Toucher ces zones de l'appareil avec précaution.

Placer l'appareil sur un plan de travail de hauteur correcte à un endroit qui convient pour son utilisation. Le support doit être de niveau pour éviter toute chute accidentelle du grille-pain ou de son contenu et suffisamment solide pour résister au poids de l'appareil et de son contenu.

L'unité doit rester droite durant son transport. Avant de déplacer ou de basculer l'appareil, veuillez protéger toutes les surfaces en verre, les portes, grilles et/ou les bordures avec du scotch et évacuer l'eau des éléments humides. Si vous ne respectez pas ces instructions, l'appareil risque d'être endommagé.

AVIS

Utilisez uniquement des nettoyants non abrasifs et des chiffons doux. Les chiffons et nettoyant abrasifs pourraient rayer la finition de l'unité, altérant son apparence et la rendant vulnérable à l'accumulation de saleté. Utilisation de matériaux abrasifs annulera la garantie.

Nettoyez l'unité quotidiennement pour éviter les dysfonctionnements et assurer un fonctionnement sain.

Tous les Modèles

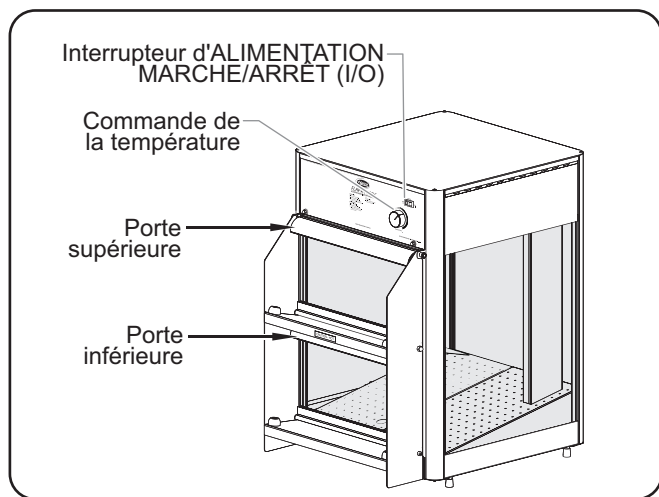
Les chauffe frites Macho Nacho® de Hatco sont régulièrement utilisés par des professionnels pour chauffer et exposer des frites. Le système unique d'écoulement d'air diffuse l'air chaud vers le bas et l'air est distribué dans l'armoire par des trous situés dans les panneaux inférieurs, apportant une chaleur maximale aux frites à servir. L'air circule de manière à conserver toutes les huiles naturelles, évitant ainsi aux frites de rassir.

Le design unique à deux portes de Macho Nacho permet de fournir des frites en continu, ainsi que de remplir la cuve et servir les frites facilement. Les frites tombent du côté consommation de l'armoire lorsque de nouvelles frites sont ajoutées par la porte supérieure et les panneaux inférieurs inclinés font glisser les frites chaudes vers la porte inférieure. Les frites sont prêtes à être servies.

Grâce à ses commandes faciles à utiliser, l'emploi de l'appareil Macho Nacho est un jeu d'enfant. Les commandes de base sont constituées, entre autres, d'un interrupteur d'ALIMENTATION MARCHE/ARRÊT (I/O) et d'une commande de température. Les appareils sont livrés avec un cordon d'alimentation et une prise de 1829 mm (6'). L'appareil nécessite un entretien minimum.

FDWD-1-MN Modèle

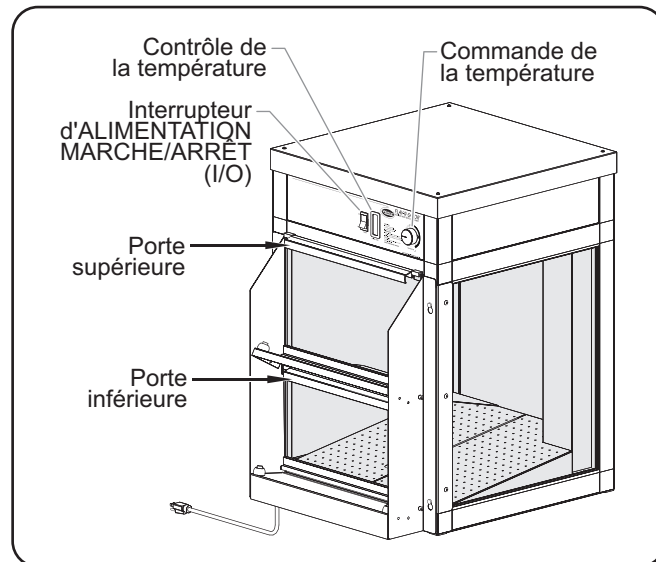
Le modèle FDWD-1-MN est fabriqué en acier inoxydable, les parties latérales et les portes sont en verre trempé. L'appareil peut contenir jusqu'à 11 kg (25 lb) de frites. Les panneaux en verre latéraux et les panneaux inférieurs sont amovibles pour un nettoyage facile.



FDWD-1-MN

FST-1-MN Modèle

Le modèle FST-1-MN est fabriqué en acier inoxydable et en aluminium, les parties latérales et les portes sont en verre trempé. Outre les commandes décrites ci-dessus, ce modèle possède un écran de TEMP DE L'ARMOIRE qui affiche la température interne de l'armoire. Le modèle standard est équipé d'une structure extérieure en bronze anodisé. L'appareil peut contenir jusqu'à 18 kg (40 lb) de frites.



FST-1-MN

NOTA: Veuillez consulter la section OPTIONS ET ACCESSOIRES pour connaître les options supplémentaires disponibles pour les modèles ci-dessus.

DÉSIGNATION DU MODÈLE

XXXX - 1 - MN

FDWD = capacité de 11 kg (25 lb) de frites

FST = capacité de 18 kg (40 lb) de frites

Appareil Macho Nacho

Ouverture latérale unique

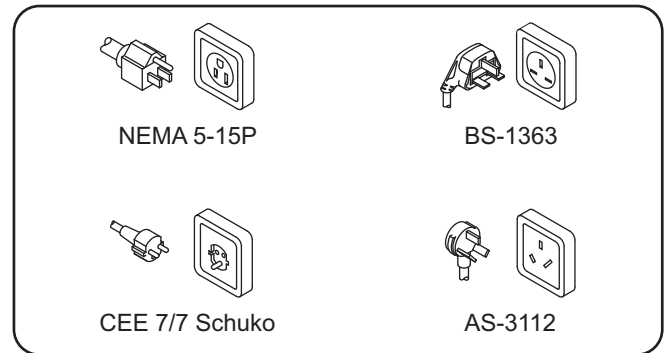
Configuration des fiches

Les appareils sont fournis par l'usine avec un cordon et une prise électriques déjà installés. Les prises fournies sont compatibles avec les applications prévues.

⚠ AVERTISSEMENT

DANGER DE DÉCHARGE ÉLECTRIQUE: Brancher l'appareil sur une prise de courant avec terre de tension, de format et de configuration des broches corrects. Si la fiche et la prise ne se correspondent pas, s'adresser à un électricien qualifié pour déterminer et installer une prise de courant de format et de tension corrects.

NOTA: L'étiquette des caractéristiques se situe sur la partie commande de l'appareil. Reportez-vous à l'étiquette du numéro de série et les données électriques de l'appareil.



Configuration des fiches

NOTA: Prise non fournie par Hatco.

Tableau des valeurs nominales électriques

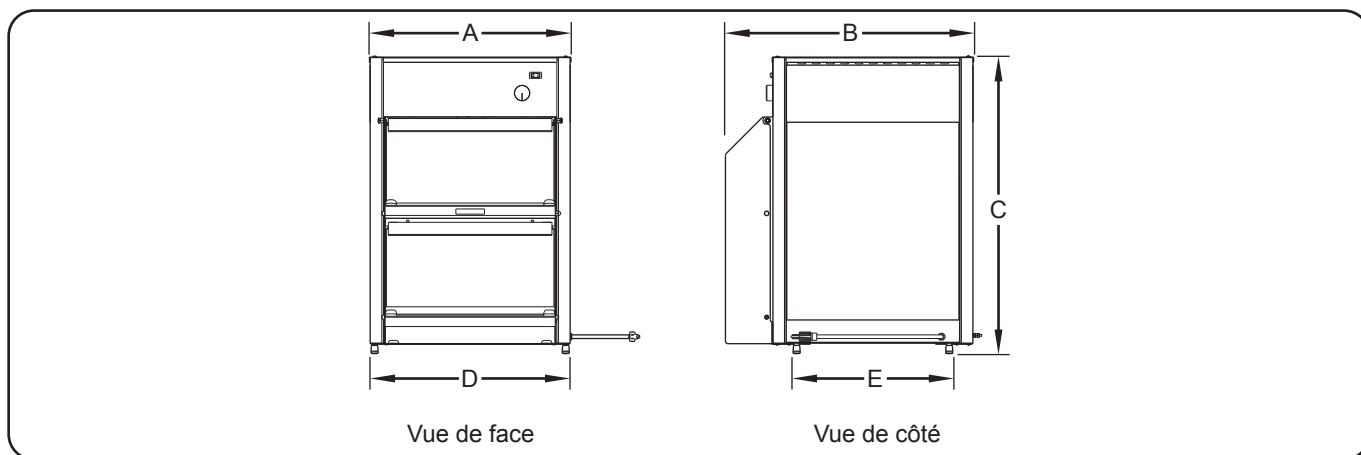
Modèle	Tension	Hertz	Intensité	Amps	Configuration de Fiches	Poids d'embarquement
FDWD-1-MN	100	60	1106	11.1	NEMA 5-15P	45 kg (99 lbs.)
	120	60	1080	9.0	NEMA 5-15P	45 kg (99 lbs.)
	220	50/60	950	4.3	CEE 7/7 Schuko	45 kg (99 lbs.)
	240	50/60	1129	4.7	BS-1363 or AS-3112	45 kg (99 lbs.)
	220–230 (CE)	50/60	950–1036	4.3–4.5	CEE 7/7 Schuko	45 kg (99 lbs.)
	230–240 (CE)	50/60	1036–1129	4.5–4.7	BS-1363	45 kg (99 lbs.)
FST-1-MN	120	60	1245	10.4	NEMA 5-15P	60 kg (132 lbs.)
	220	50/60	1219	5.6	CEE 7/7 Schuko	60 kg (132 lbs.)
	240	50/60	1252	5.2	BS-1363	60 kg (132 lbs.)
	220–230 (CE)	50/60	1219–1332	5.6–5.8	CEE 7/7 Schuko	60 kg (132 lbs.)
	230–240 (CE)	50/60	1150–1252	5.0–5.2	BS-1363	60 kg (132 lbs.)

Les informations électriques grisées dans le tableau désignent les modèles destinés à internationaux uniquement.

Dimensions

Modèle	Largeur (A)	Profondeur (B)	Hauteur (C)*	Empattement Largeur (D)	Empattement Profondeur (E)
FDWD-1-MN	492 mm (19-3/8")	608 mm (24")	729 mm (28-3/4")	485 mm (19-1/16")	390 mm (15-3/8")
FST-1-MN	579 mm (22-7/8")	686 mm (27")	831 mm (32-3/4")	483 mm (19")	475 mm (18-11/16")

* Ajoutez 76 mm (3") à la hauteur de l'appareil si ce dernier possède un pied de 102 mm (4").



Dimensions

Dimensions de l'espace total

Modèle	Largeur de l'espace de l'armoire	Hauteur de l'espace de la porte supérieure	Hauteur de l'espace de la porte inférieure
FDWD-1-MN	416 mm (16-3/8")	233 mm (9-1/8")	230 mm (9-1/16")
FST-1-MN	474 mm (18-5/8")	285 mm (11-3/16")	251 mm (9-7/8")

Généralités

Les chauffe frites Macho Nacho® de Hatco sont livrés avec la plupart des éléments installés et prêts à l'utilisation. Les instructions d'installation suivantes doivent être exécutées avant le branchement et l'utilisation de l'armoire.

⚠ AVERTISSEMENT

DANGER DE DÉCHARGE ÉLECTRIQUE : L'appareil n'est pas à l'épreuve des intempéries. Placer l'appareil à l'intérieur à une température ambiante de 21°C (70°F) minimum.

DANGER D'INCENDIE : Placer l'appareil à un minimum de 25 mm des parois et matières combustibles. Si une distance sûre n'est pas maintenue, la chaleur peut provoquer une combustion ou une altération de couleur.

⚠ ATTENTION

Placer l'appareil sur un plan de travail de hauteur correcte à un endroit qui convient pour son utilisation. Le support doit être de niveau pour éviter toute chute accidentelle du grille-pain ou de son contenu et suffisamment solide pour résister au poids de l'appareil et de son contenu.

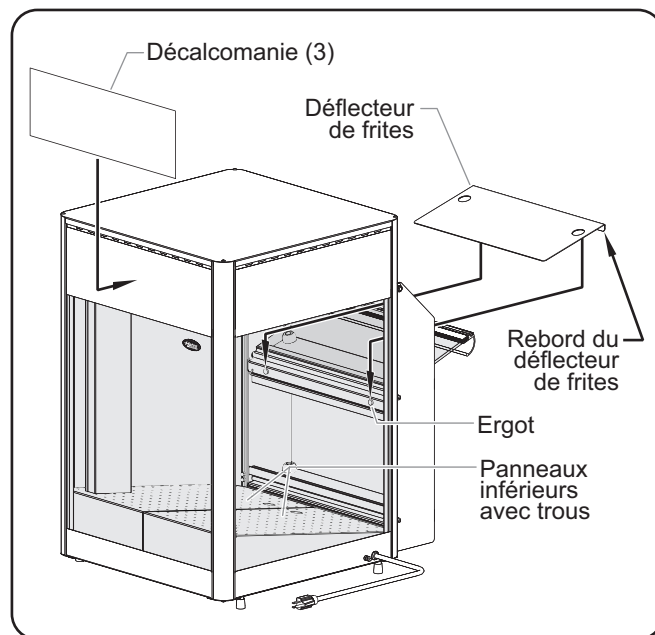
L'unité doit rester droite durant son transport. Avant de déplacer ou de basculer l'appareil, veuillez protéger toutes les surfaces en verre, les portes, grilles et/ou les bordures avec du scotch et évacuer l'eau des éléments humides. Si vous ne respectez pas ces instructions, l'appareil risque d'être endommagé.

1. Retirer l'appareil de sa boîte. Cette étape nécessite deux personnes.
2. Retirez le paquet d'information.

NOTA: Pour éviter un retard de service sous garantie, enregistrez la garantie en ligne. Pour des détails, voir la section INFORMATIONS IMPORTANTES POUR LE PROPRIÉTAIRE.

3. Retirer le ruban et le film de protection de toutes les surfaces de l'appareil.
 - Pieds — les armoires sont livrées avec quatre pieds en caoutchouc fixés sous l'appareil. Pour les armoires fournies avec les pieds ajustables de 102 mm (4"), veuillez consulter la section OPTIONS ET ACCESSOIRES pour les instructions d'installation.
4. Installez le déflecteur de frites derrière la porte supérieure.
 - Modèles FDWD-1-MN : deux trous situés sur le rebord du déflecteur de frites glissent sur deux ergots situés au bas du cadre de la porte supérieure.
 - Modèles FST-1-MN : le rebord du déflecteur de frites glisse derrière le rebord situé au bas du cadre de la porte supérieure.

5. Placez les décalcomanies sur les trois panneaux latéraux en acier inoxydable au-dessus des panneaux latéraux en verre.
 - a. Nettoyez les panneaux latéraux à l'aide d'un nettoyant non-gras, tel que l'alcool isopropylique.
 - b. Une fois que les panneaux latéraux sont secs, retirez le film de protection de la décalcomanie et placez-la sur le panneau.
 - c. Retirez toute bulle ou poche d'air de la décalcomanie en la frottant doucement avec un chiffon doux, du centre de la décalcomanie vers les bords.
6. Placer l'appareil à l'endroit souhaité. Two people are required for this step.
 - Placez l'appareil à un endroit où la température ambiante est constante et de 21°C (70°F) minimum. Évitez les endroits susceptibles d'activer les mouvements ou les courants d'air (proximité des ventilateurs ou hottes d'évacuation et conduites de climatisation).
 - Assurez-vous que l'unité est placée à une hauteur appropriée dans une zone facilitant son utilisation.
 - Veillez à ce que le comptoir soit plan et assez résistant pour supporter le poids de l'unité et des produits alimentaires.



Montage d'un modèle FDWD-1-MN

Généralités

Pour utiliser un chauffe frites Macho Nacho®, veuillez suivre les instructions suivantes.

AVERTISSEMENT

Lire tous les messages de sécurité de la section Consignes de sécurité importantes avant d'utiliser ce matériel.

Mise en marche

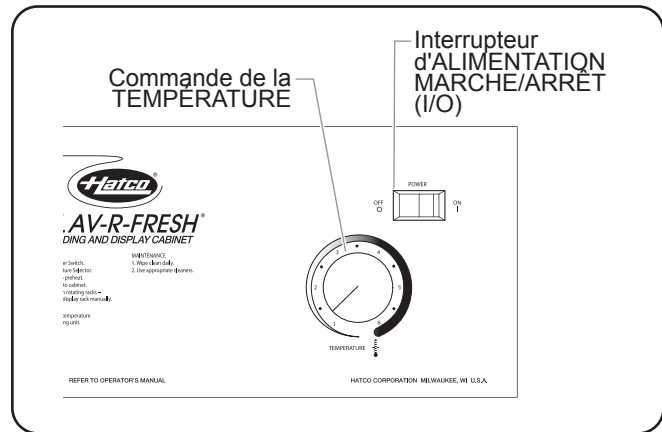
1. Branchez l'appareil sur une prise électrique correctement mise à la terre de la configuration, de la taille et de la tension corrects. Pour des détails, voir la section CARACTÉRISTIQUES TECHNIQUE.
2. Placez l'interrupteur d'alimentation POWER (I/O) sur position Marche (I).
3. Réglez la commande de TEMPÉRATURE sur le niveau de température souhaité.
4. Attendez 20 minutes que l'appareil atteigne la température d'utilisation.
5. Ouvrez la porte supérieure et remplissez l'unité de frites.

ATTENTION

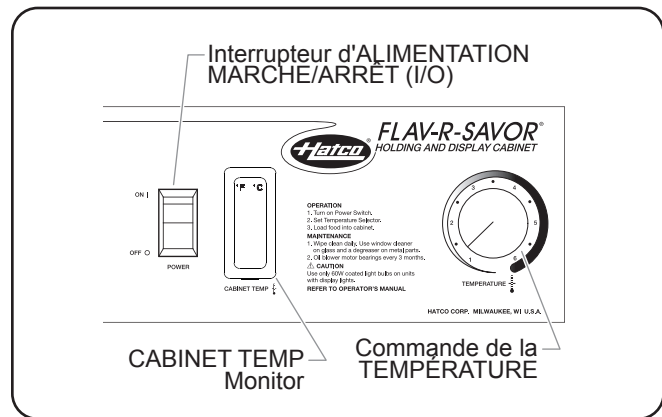
DANGER DE BRÛLURE: Certaines surfaces extérieures de l'appareil deviennent chaudes. Toucher ces zones de l'appareil avec précaution.

Arrêt

1. Placez l'interrupteur d'alimentation POWER (I/O) sur position Arrêt (O).
2. Laissez refroidir avant une maintenance ou un nettoyage.



Commandes du modèle FDWD-1-MN



Commandes du modèle FST-1-MN

MAINTENANCE

Généralités

Les chauffe frites Macho Nacho de Hatco sont conçus pour une durabilité et des performances maximum, avec un entretien minimum.

AVERTISSEMENT

DANGER DE DÉCHARGE ÉLECTRIQUE :

- Éteignez l'appareil, débranchez le cordon d'alimentation et laissez refroidir avant une maintenance ou un nettoyage.
- **NE PAS immerger l'appareil ni le saturer d'eau.** L'appareil n'est pas étanche à l'eau. Ne pas le faire fonctionner s'il a été immergé ou saturé d'eau.
- Ne pas nettoyer l'appareil lorsqu'il est sous tension ou chaud.
- Ne pas nettoyer à la vapeur ni utiliser trop d'eau sur l'appareil.
- Cet appareil n'est pas étanche aux jets. Ne pas utiliser de jet sous pression pour nettoyer l'appareil.

AVERTISSEMENT

Cet appareil ne contient aucune pièce réparable par l'utilisateur. Si cet appareil doit être réparé, contacter un réparateur Hatco agréé ou le Service après-vente Hatco au 800-558-0607 ou 414-671-6350 ; télécopieur 800-690-2966; télécopieur internationale 414-671-3976.

Nettoyage quotidien

Pour préserver la finition de l'appareil et maintenir la performance, il est recommandé de nettoyer tous les jours l'appareil.

AVIS

Utilisez uniquement des nettoyants non abrasifs et des chiffons doux. Les chiffons et nettoyant abrasifs pourraient rayer la finition de l'unité, altérant son apparence et la rendant vulnérable à l'accumulation de saleté. Utilisation de matériaux abrasifs annulera la garantie.

1. Mettre l'appareil hors tension, débrancher le cordon d'alimentation et laisser refroidir l'appareil.
2. Retirez la structure du panneau de porte pour accéder plus facilement à l'intérieur de l'unité.
 - Modèles FDWD-1-MN : tirez et tournez les ergots de verrouillage dans les supports de fixations supérieurs en haut de chaque côté de la structure du panneau de porte. Tirez la structure du panneau de porte vers le haut et retirez-la de l'unité.
 - Modèles FST-1-MN : soulevez la structure du panneau de porte et retirez les quatre ergots de fixation (deux par côté de la structure).
3. Retirez tout produit alimentaire de l'unité.
4. Essuyez toutes les surfaces métalliques intérieures et extérieures à l'aide d'un chiffon humide. Les tâches persistantes pourront être retirées à l'aide d'un détergent non-abrasif. Nettoyez les zones difficiles d'accès à l'aide d'une petite brosse et de savon doux.

NOTA: Les panneaux inférieurs sont amovibles pour un nettoyage facile. Le bas de l'armoire peut être nettoyé une fois que les panneaux inférieurs ont été retirés.

5. Nettoyez les panneaux latéraux et les panneaux de portes en verre à l'aide d'un produit à vitres standard et d'un chiffon doux et humide ou d'une serviette en papier.
 - Modèles FDWD-1-MN : les panneaux latéraux sont amovibles pour un nettoyage complet, si besoin. Consultez la procédure de « Retrait des panneaux latéraux en verre » de cette section pour retirer un panneau.
6. Fixez la structure du panneau de porte à l'unité.
 - Modèles FDWD-1-MN : posez la structure du panneau de porte sur le support inférieur. Alignez les trous de montage en haut de la structure du panneau de porte à l'aide des ergots de verrouillage dans les deux supports de fixation supérieurs. Relâchez les ergots de verrouillage en tournant légèrement et veillez à ce qu'ils s'emboîtent dans la structure du panneau de porte.
 - Sur les modèles FST-1-MN : alignez les quatre trous de la structure du panneau de porte avec les quatre ergots de montage de l'unité et placez la structure du panneau de porte.

Retrait des panneaux en verre latéraux (FDWD-1-MN)

Suivez les instructions suivantes uniquement pour les modèles FDWD-1-MN. Pour les modèles FST-1-MN, le verre n'est pas amovible.

1. Soulevez et retirez le panneau en verre de la rainure inférieure de l'armoire.
2. Retirez le bord inférieur de l'armoire.
3. Baissez doucement le verre jusqu'à ce que la partie supérieure ne cache plus l'armoire.

Réinstallation du panneau en verre (FDWD-1-MN)

1. Placez le panneau en verre de manière à ce que le bord supérieur soit sous le bord de l'armoire et soulevez le verre jusqu'à ce qu'il ne cache plus la rainure inférieure de l'armoire.
2. Dirigez la partie inférieure du verre vers l'armoire jusqu'à ce que le verre s'appuie contre le cadre de l'armoire.
3. Baissez doucement le verre jusqu'à ce qu'il soit installé dans la rainure inférieure de l'armoire.

Remplacement des ampoules de la vitrine

⚠ AVERTISSEMENT

N'utilisez que des ampoules électriques qui correspondent ou qui surpassent les normes de la Fondation Nationale des Affaires Sanitaires (NSF) et qui sont spécifiquement conçues pour les espaces de conservation des aliments. Les bris d'une ampoule non équipée d'un revêtement adapté peuvent provoquer des dommages corporels et/ou une contamination des aliments.

L'éclairage de la vitrine se compose d'ampoules incandescentes qui éclairent la zone de chauffage. Chaque ampoule est recouverte d'un enduit spécial pour éviter toute blessure et toute contamination des éléments en cas de casse.

1. Éteignez l'appareil, débranchez le cordon d'alimentation et laissez l'appareil refroidir.
2. Dévissez l'ampoule de l'appareil, et remplacez-la par une nouvelle ampoule lumineuse incandescente recouverte d'un enduit spécial.

NOTA: Les ampoules lumineuses résistantes aux chocs d'Hatco répondent aux standards de la NSF pour la conservation de la nourriture et des zones d'étalage. Pour les utilisations avec une tension de 100 et 120 volts, utilisez les références Hatco 02.30.043.00. Pour les utilisations avec une tension de 220, 240, 220-230 et 230-240 volts, utilisez les références Hatco 02.30.058.00.

⚠ AVERTISSEMENT

La réparation de cet appareil doit être confiée exclusivement à du personnel qualifié. Les réparations par des personnes non qualifiées peuvent provoquer des décharges électriques et des brûlures.

⚠ AVERTISSEMENT

DANGER DE DÉCHARGE ÉLECTRIQUE: Éteignez l'appareil, débranchez le cordon d'alimentation/coupez l'alimentation au niveau du coupe-circuit et laissez refroidir avant une maintenance ou un nettoyage.

Symptôme	Cause Probable	Solution
Une ou plusieurs ampoule(s) de la vitrine ne fonctionne(nt) pas.	Une ou plusieurs ampoule(s) est/sont desserrée(s) ou défectueuse(s).	Réinstallez ou remplacez l'/les ampoule(s).
L'appareil fonctionne mais l'air ne circule pas dans l'armoire.	Le moteur du ventilateur est défectueux.	Contactez votre agent de maintenance agréé ou Hatco pour assistance.
	La tension fournie au ventilateur est peut-être incorrecte.	Contactez votre agent de maintenance agréé ou Hatco pour assistance.
L'appareil est branché mais rien ne fonctionne.	Il n'y a pas d'alimentation au niveau de l'appareil.	Vérifier la prise électrique et vérifier que l'alimentation électrique correspond aux spécifications de l'appareil. Si la prise ne fonctionne pas, vérifier le disjoncteur et le réinitialiser, ou brancher l'appareil sur une prise différente.
	Les branchements du cordon d'alimentation sont desserrés ou débranchés.	Contactez votre agent de maintenance agréé ou Hatco pour assistance.
	Le cordon d'alimentation est endommagé.	Contactez votre agent de maintenance agréé ou Hatco pour assistance.
	L'interrupteur marche/arrêt est défectueux.	Contactez votre agent de maintenance agréé ou Hatco pour assistance.
L'appareil ne produit pas d'« air chaud » dans l'armoire.	La limite de sécurité est enclenchée ou ouverte.	Contactez votre agent de maintenance agréé ou Hatco pour assistance.
	Tension incorrecte fournie à l'élément de chauffage.	Contactez votre agent de maintenance agréé ou Hatco pour assistance.
	Le moteur du ventilateur ne fonctionne pas.	Vérifiez le moteur du ventilateur : voir le cas « L'appareil fonctionne, mais l'air ne circule pas dans l'armoire. »
	L'/les élément(s) de chauffage à air est/sont défectueux.	Contactez votre agent de maintenance agréé ou Hatco pour assistance.

Vous avez des questions en ce qui concerne les pannes ?

Si le problème persiste, veuillez contacter l'agence d'entretien agréée Hatco la plus proche ou Hatco pour obtenir une assistance. Pour trouver l'agence d'entretien la plus proche, rendez-vous sur le site Internet de Hatco (www.hatcocorp.com) et cliquez sur Trouver un agent d'entretien, ou contactez l'équipe d'entretien et de pièces détachées de Hatco :

Numéro de

téléphone: 800-558-0607 ou 414-671-6350

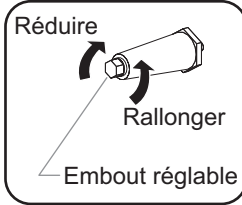
Courriel: partsandservice@hatcocorp.com

Télécopie: 800-690-2966 ou 414-671-3976

Pieds réglables de 102 mm (4")

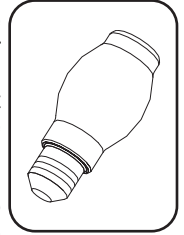
Les pieds réglables de 102 mm (4") servent à élever l'appareil.

1. Retirez le déflecteur de frites et les panneaux inférieurs et fixez les portes à l'aide de scotch.
2. Couchez soigneusement l'appareil sur le côté. Cette étape nécessite deux personnes.
3. Retirez les quatre pieds en caoutchouc.
4. Vissez les pieds de 102 mm (4") dans les trous de la structure inférieure. Une fois tous les pieds serrés, remettez l'appareil en position debout. Si l'appareil n'est pas plan ou s'il balance, tournez l'embout réglable du pied approprié pour aplanir l'appareil.



Ampoules halogènes de la vitrine

Des ampoules halogènes antichocs de vitrine peuvent être commandées pour remplacer les ampoules à incandescence classiques. Les ampoules sont recouvertes d'un enduit spécial pour pallier toute blessure et toute contamination des éléments en cas de casse. Pour les utilisations avec une tension de 100 et 120 volts, utilisez les références Hatco 02.30.081.00. Pour les utilisations avec une tension de 220, 240, 220–230 et 230–240 volts, utilisez les références Hatco 02.30.082.00.



1. GARANTIE DU PRODUIT

Hatco garantit que les produits qu'il fabrique (les « Produits ») sont exempts de défauts de matériel et de fabrication, dans des conditions normales d'utilisation et de maintenance, pour une période d'un (1) an à partir de la date d'achat à condition que l'appareil soit installé et entretenu conformément aux instructions écrites de Hatco ou 18 mois après la date de l'expédition par Hatco. L'acheteur doit prouver la date d'achat du Produit par l'enregistrement du produit auprès de Hatco ou par d'autres moyens satisfaisants pour Hatco, à sa seule discrétion.

Hatco garantit que les composants du Produit suivants sont exempts de défauts de matériel et de fabrication à partir de la date d'achat (sous réserve des conditions précédentes) pour la ou les périodes de temps et en fonction des conditions listées ci-dessous :

a) Garantie d'un (1) an pour les pièces et la main-d'œuvre PLUS un an (1) supplémentaire pour les pièces uniquement :

Éléments du grille-pain à convoyeur (enveloppe métallique)
 Éléments des tiroirs chauffants (enveloppe métallique)
 Tiroirs, roues et glissières des tiroirs chauffants
 Éléments des rampes chauffantes (enveloppe métallique)
 Éléments des vitrines chauffantes
 (enveloppe métallique, air chauffant)
 Éléments des armoires de stockage
 (enveloppe métallique, air chauffant)
 Éléments des compartiments chauffants —
 série HW et HWB (enveloppe métallique)

b) Garantie d'un (1) an pour les pièces et la main-d'œuvre PLUS quatre (4) ans pour les pièces uniquement :
 Cuves 3CS et FR

c) Garantie d'un (1) an pour les pièces et la main-d'œuvre PLUS neuf (9) ans pour les pièces uniquement :
 Cuves des appareils de chauffage d'appoint électriques
 Cuves des appareils de chauffage d'appoint à gaz

d) Garantie de quatre-vingt-dix (90) jours pour les pièces uniquement :
 Pièces de rechange

LES GARANTIES PRÉCÉDENTES SONT EXCLUSIVES ET REMPLACENT TOUTES AUTRES GARANTIES, EXPRESSES OU IMPLICITES, COMPRENANT, MAIS NE SE LIMITANT PAS À, TOUTES GARANTIES IMPLICITES DE QUALITÉ MARCHANDE OU DE FINALITÉ PARTICULIÈRE OU TOUTS BREVETS OU TOUTES AUTRES ATTEINTES AUX DROITS DE LA PROPRIÉTÉ INTELLECTUELLE. Sans restreindre la portée générale des énoncés précédents, CES GARANTIES NE COUVRENT PAS : Ampoules d'éclairage à incandescence enduites, lumières fluorescentes, ampoules de lampes chauffantes, ampoules d'éclairage à halogène enduites, ampoules de lampes chauffantes au xénon, tubes d'éclairage DEL, composants en verre et fusibles ; défaut de produit dans la cuve d'un appareil de chauffage d'appoint, dans un échangeur de chaleur à tubes à ailettes ou tout autre équipement de chauffage d'eau causé par la calcification, l'accumulation de sédiments, la réaction d'un produit chimique ou le gel ; ou une mauvaise utilisation, une manipulation ou une mauvaise application, une installation inappropriée du Produit ou l'utilisation d'une tension inappropriée.

2. LIMITES DES RECOURS ET DES DOMMAGES

La responsabilité de Hatco et la seule voie de recours de l'Acheteur prévues par les présentes seront limitées exclusivement, au gré de Hatco, à la réparation ou au remplacement à l'aide de pièces ou de Produits nouveaux ou remis à neuf par Hatco ou un centre de réparation agréé par Hatco (sauf si l'Acheteur se situe hors des États-Unis, du Canada, du Royaume-Uni ou de l'Australie, auquel cas la responsabilité de Hatco et la seule voie de recours de l'Acheteur seront limitées exclusivement au remplacement des pièces concernées par la garantie) à l'égard de toute revendication effectuée dans les délais de garantie applicables mentionnés ci-dessus. Hatco se réserve le droit d'accepter ou de rejeter toute réclamation en partie ou dans son intégralité. Dans le cadre de cette Garantie limitée, « remis à neuf » signifie une pièce ou un Produit dont les caractéristiques techniques d'origine ont été restaurées par Hatco ou un centre de réparation agréé par Hatco. Hatco n'acceptera aucun retour de Produits sans qu'il n'ait auparavant donné son accord écrit, et tous ces retours approuvés doivent être effectués aux seuls frais de l'Acheteur. HATCO NE SERA PAS TENU RESPONSABLE, DANS AUCUNE CIRCONSTANCE, DES DOMMAGES CONSÉCUTIFS OU INDIRECTS, COMPRENANT, MAIS NE SE LIMITANT PAS À, LES COÛTS DE MAIN-D'ŒUVRE OU PERTES DE PROFITS DUS À UNE UTILISATION OU À UNE IMPOSSIBILITÉ D'UTILISER LES PRODUITS OU DUS AU FAIT QUE LES PRODUITS ONT ÉTÉ INTÉGRÉS DANS OU QU'ILS SONT DEVENUS UN COMPOSANT DE TOUT AUTRE PRODUIT OU BIEN.

AUTHORIZED PARTS DISTRIBUTORS • AUTORISÉS DISTRIBUTEURS DE PIÈCES

ALABAMA

Jones McLeod Appl. Svc.
Birmingham 205-251-0159

ARIZONA

Service Solutions Group
Phoenix 602-234-2443

Byassee Equipment Co.
Phoenix 602-252-0402

CALIFORNIA

Industrial Electric
Commercial Parts & Service, Inc.
Huntington Beach 714-379-7100

Chapman Appl. Service
San Diego 619-298-7106

P & D Appliance
Commercial Parts & Service, Inc.
S. San Francisco 650-635-1900

COLORADO

Hawkins Commercial Appliance
Englewood 303-781-5548

FLORIDA

Whaley Foodservice Repair
Jacksonville 904-725-7800

3Wire Nass Service Co., Inc.
Orlando 407-425-2681

B.G.S.I.
Pompano Beach 954-971-0456

Comm. Appliance Service
Tampa 813-663-0313

GEORGIA

TWC Services
Mableton 770-438-9797

Heritage Service Group
Norcross 866-388-9837

Southeastern Rest. Svc.
Norcross 770-446-6177

HAWAII

Burney's Comm. Service, Inc.
Honolulu 808-848-1466

Food Equip Parts & Service
Honolulu 808-847-4871

ILLINOIS

Parts Town
Lombard 708-865-7278

Eichenauer Elec. Service
Decatur 217-429-4229

Midwest Elec. Appl. Service
Elmhurst 630-279-8000

Cone's Repair Service
Moline 309-797-5323

INDIANA

GCS Service
Indianapolis 317-545-9655

IOWA

Electric Motor Service Co.
Davenport 319-323-1823

Goodwin Tucker Group
Des Moines 515-262-9308

KENTUCKY

Service Solutions Group
Lexington 859-254-8854

Service Solutions Group
Louisville 502-451-5411

LOUISIANA

Chandlers Parts & Service
Baton Rouge 225-272-6620

MARYLAND

Electric Motor Service
Baltimore 410-467-8080

GCS Service
Silver Spring 301-585-7550

MASSACHUSETTS

Ace Service Co., Inc.
Needham 781-449-4220

MICHIGAN

Bildons Appliance Service
Detroit 248-478-3320

Commercial Kitchen Service
Bay City 517-893-4561

Midwest Food Equip. Service
Grandville 616-261-2000

MINNESOTA

GCS Service
Plymouth 800-345-4221

MISSOURI

General Parts
Kansas City 816-421-5400

Commercial Kitchen Services
St. Louis 314-890-0700

Kaemmerlen Parts & Service
St. Louis 314-535-2222

NEBRASKA

Anderson Electric
Omaha 402-341-1414

NEVADA

Burney's Commercial
Las Vegas 702-736-0006

Hi. Tech Commercial Service
N. Las Vegas 702-649-4616

NEW JERSEY

Jay Hill Repair
Fairfield 973-575-9145

Service Plus
Flanders 973-691-6300

NEW YORK

Acme American Repairs, Inc.
Brooklyn 718-456-6544

Alpro Service Co.
Brooklyn 718-386-2515

Appliance Installation
Buffalo 716-884-7425

Duffy's Equipment Services, Inc.
Buffalo 800-836-1014

3Wire Northern
Plattsburgh 800-634-5005

Duffy's Equipment Services, Inc.
Sauquoit 800-836-1014

J.B. Brady, Inc.
Syracuse 315-422-9271

NORTH CAROLINA

Authorized Appliance
Charlotte 704-377-4501

OHIO

Akron/Canton Comm. Svc. Inc.
Akron 330-753-6635

Service Solutions Group
Cincinnati 513-772-6600

Commercial Parts and Service
Columbus 614-221-0057

Electrical Appl. Repair Service
Brooklyn Heights 216-459-8700

E. A. Wichman Co.
Toledo 419-385-9121

OKLAHOMA

Hagar Rest. Service, Inc.
Oklahoma City 405-235-2184

Krueger, Inc.
Oklahoma City 405-528-8883

OREGON

Ron's Service, Inc.
Portland 503-624-0890

PENNSYLVANIA

Elmer Schultz Services
Philadelphia 215-627-5401

FAST Comm. Appl. Service
Philadelphia 215-288-4800

Appliance Installation & Service
Pittsburgh 412-809-0244

K & D Service Co.
Harrisburg 717-236-9039

Electric Repair Co.
Reading 610-376-5444

RHODE ISLAND

Marshall Electric Co.
Providence 401-331-1163

SOUTH CAROLINA

Whaley Foodservice Repair
W. Columbia 803-791-4420

TENNESSEE

Camp Electric
Memphis 901-527-7543

TEXAS

GCS Service
Fort Worth 800-433-1804

Armstrong Repair Service
Houston 713-666-7100

Cooking Equipment Specialist
Mesquite 888-866-9276

Refrigerated Specialist, Inc.
Mesquite 888-866-9276

Commercial Kitchen Repair Co.
San Antonio 210-735-2811

UTAH

La Monica's Rest. Equip. Service
Murray 801-263-3221

VIRGINIA

Daubers
Norfolk 757-855-4097

Daubers
Springfield 703-866-3600

WASHINGTON

3Wire Restaurant Appliance
Seattle 800-207-3146

WISCONSIN

A.S.C., Inc.
Madison 608-246-3160

A.S.C., Inc.
Milwaukee 414-543-6460

CANADA

ALBERTA

Key Food Equipment Service
Edmonton 780-438-1690

BRITISH COLUMBIA

Key Food Equipment Service
Vancouver 604-433-4484

Key Food Equipment Service
Victoria 250-920-4888

MANITOBA

Air Rite, Inc.
Winnipeg 204-895-2300

NEW BRUNSWICK

EMR Services, Ltd.
Moncton 506-855-4228

ONTARIO

R.G. Henderson Ltd.
Toronto 416-422-5580

Choquette - CKS, Inc.
Ottawa 613-739-8458

QUÉBEC

Choquette - CKS, Inc.
Montreal 514-722-2000

Choquette - CKS, Inc.
Québec City 418-681-3944

UNITED KINGDOM

Marren Group
Northants +44(0)1933 665313

HATCO CORPORATION
P.O. Box 340500
Milwaukee, WI 53234-0500 U.S.A.
800-558-0607 414-671-6350
Parts and Service Fax 800-690-2966
International Fax 414-671-3976
partsandservice@hatcocorp.com
www.hatcocorp.com

Register your unit online!

See IMPORTANT OWNER INFORMATION
section for details.

S'inscrire en ligne!

Lisez la section **INFORMATIONS IMPORTANTES**
POUR LE PROPRIÉTAIRE pour plus de informations.