

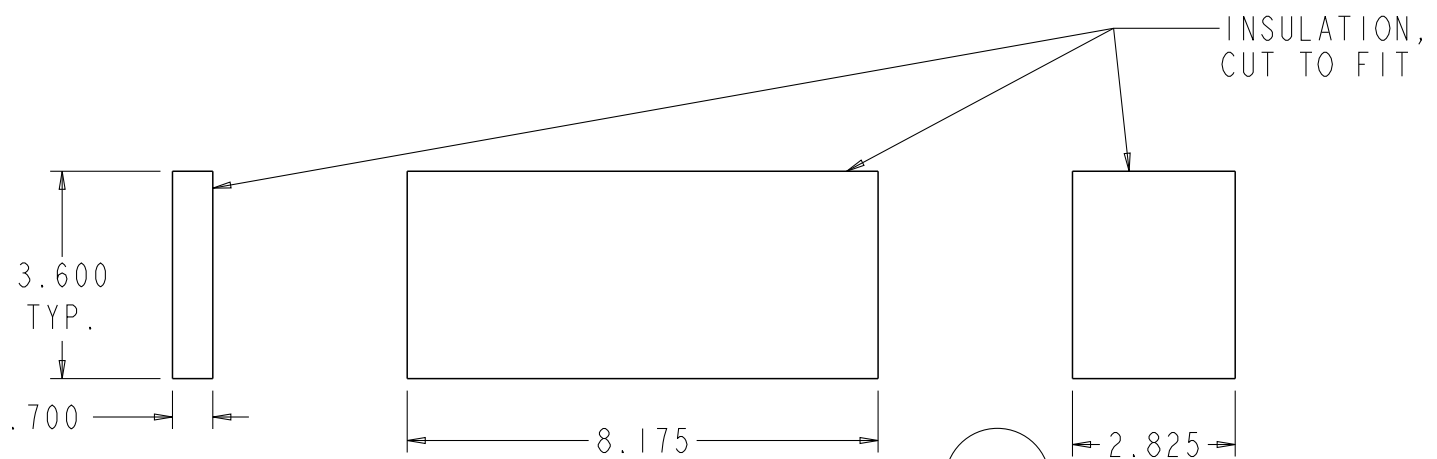
ITEM	DESCRIPTION	PART NUMBER	QTY
1	REL CUBE 208/240AC DPDT 35A.	02.01.098.00	1
2	6A 208-240V SOLID STATE INFINITE	02.01.102.00	1
3	SSR,25A,120-240 AC CONTROL	02.01.417.00	2
4	POTENTIOMETER, 2M OHM, 14" LEADS	02.01.489.00	1
5	FUSE BLOCK, 15A, 480V, 2P	02.03.022.00	1
6	FUSE 15 AMP, CLASS G	02.03.052.00	2
7	LUG #4-14 W/LEG	02.14.058.00	2
8	B-SERIES TERMINAL BLOCKS	02.15.045.00	1
9	TID S.S. LED FAH,NO PROBE	02.16.187.00	1
10	TRANS 24V.SEC.,230V.,PRI.,10VA	02.17.023.00	1
11	SWITCH,20A. 125/250V DPST TOG	02.19.008A.00	1
12	PILOT LIGHT RED 250V	02.19.151.00	1
13	WINDOW, SECURITY, 3.3 X 2.6 X .125	04.12.450.00	1
14	BACK PANEL,CONTROL BOX,GRAH-114T-CB	04.37.196.00	1
15	FRONT PANEL,W/MOUNTS,CONTROL BOX,GRAH-114T-CB	04.37.197.00	1
16	BOTTOM COVER, CONTROL BOX,GRAH-114T-CB	04.37.198.00	1
17	COVER,SECURITY WITH WINDOW,GRAH-114T-CB	04.37.199.00	1
18	MOUNT, CONTROL PANEL SPACER,GRAH-114T-CB	04.37.200.00	1
19	WASHER, ANTI-ROTATION	04.37.222.00	1
20	THERMAL PAD,SSR,CRYDOM	05.01.089.00	2
21	TAPE, ADHESIVE, .75" X .75"	05.01.092.00	1
22	SC PLT 8-32 X 5/16 PH PN	05.04.005.00	11
23	SC PLT 8-32X5/8 PH TR TCS TP T	05.04.011.00	1
24	NUT,PLT,8-32 KEPS NUT	05.04.023.00	2
25	NUT,PLT,6-32 KEPS NUT	05.04.057.00	12
26	NUT,PLT,4-40 KEPS NUT	05.04.168.00	1
27	8-32 THUMB SCREW,S.S.,1/2" LONG	05.04.305.00	1
28	SC PLT 6-32X3/4 PH PN 23 ZNC	05.04.358.00	1
29	SC PLT 8-32X1-1/4 PHIL FIL TCS-23	05.04.439.00	1
30	INSULATION,RIGID 1/2 X 5 X 19	05.05.115.00	1
31	WASH PLT #8 INTERNAL SHAKEPROOF	05.11.028.00	1
32	WASHER NYLON .156 ID .313 OD .031 THK	05.11.049.00	1
33	KNOB,ELECTRONIC INFINITE	05.30.042.00	1
34	TOGGLE SWITCH PLATE,1-0	07.01.058.00	1
35	SWITCH PLATE,ELEC. INFINITE	07.01.200.00	1

5 6

6

6

7



APPLY SILICONE TO WINDOW EDGES AND PRESS INTO SECURITY BOX

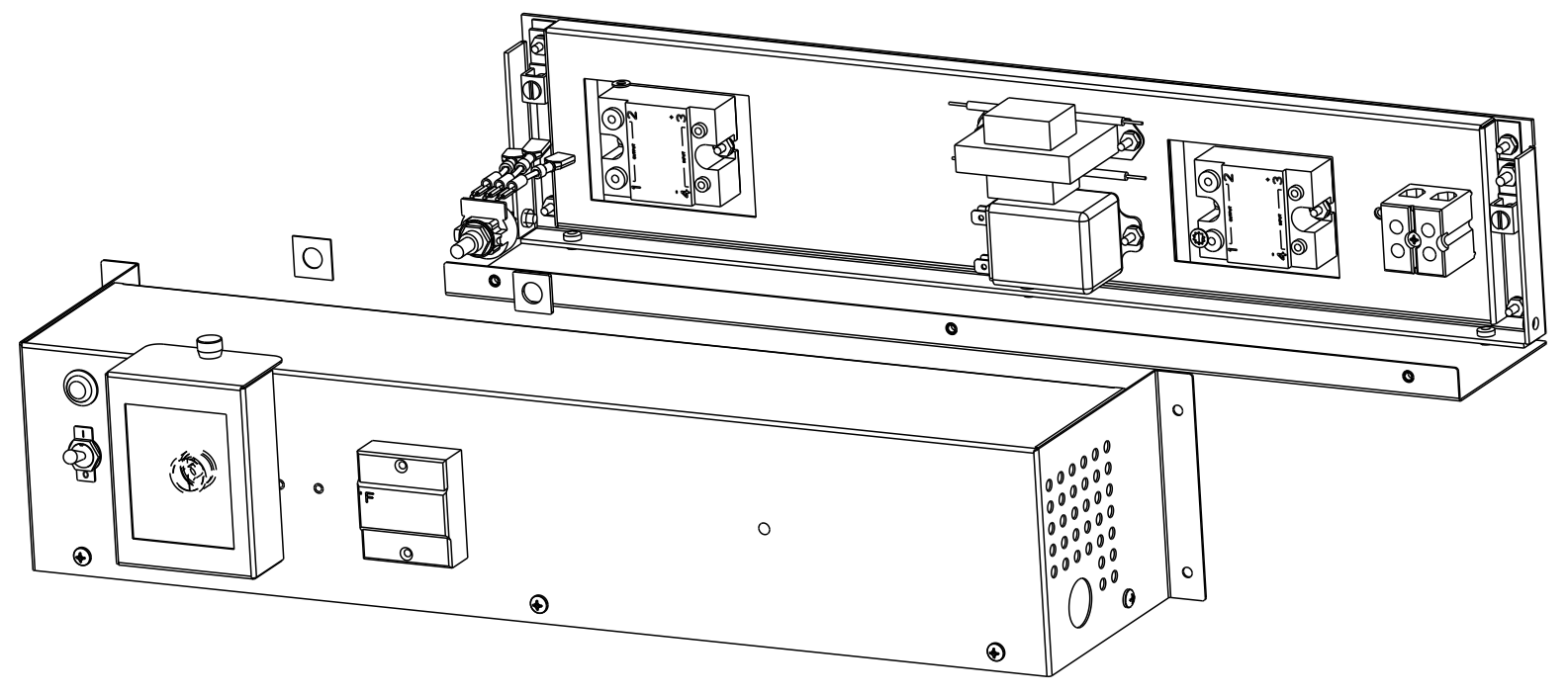
WASHER CAPTURES SCREW TO COVER

LABEL NEAR FUSE BLOCK

GASKET STRIP ALIGN WITH TOP EDGE, PUNCH HOLES AS NEEDED

CUT INSULATION TO FIT DO NOT BLOCK VENT HOLES

GASKET STRIP ACROSS BOTTOM PUNCH HOLES AS NEEDED



RELEASE AND REVISION HISTORY				CK:
RV	DESCRIPTION	DATE	ENG	RB
1	RELEASED ECO.#24779	7-16-14	MEG	WEM
5	02.01.428.00 WAS 02.01.108.00,ECO.#24997	10-02-14	MEG	WEM
6	02.01.489.00 WAS 02.01.428.00. ADD 02.37.222.00 AND 05.01.092.00,ECO#27024	1-11-17	RAC	WEM
7	THERM PAD CHG TO 05.01.089 ECO.#29093	12-7-17	JJS	JMN

UNLESS OTHERWISE SPECIFIED DIMS ARE IN INCHES TOL ON ANGLE ±2.0° 2 PL ±0.02 3 PL ±0.016 HOLE SIZES: +.005/- .002			
<b>HATCO CORP., MILWAUKEE, WI</b>			
DESCRIPTION CONTROL BOX ASSEMBLY, GRAH-114T-CB			
PART NUMBER	DRAWING NUMBER	REV	
N/A	10-03-1249	7	
Released	SCALE:0.300	PROJ: 715302	SHEET 1 OF 1