



# GLO-RAY<sup>®</sup>

## Multi-Staging Warmer

---

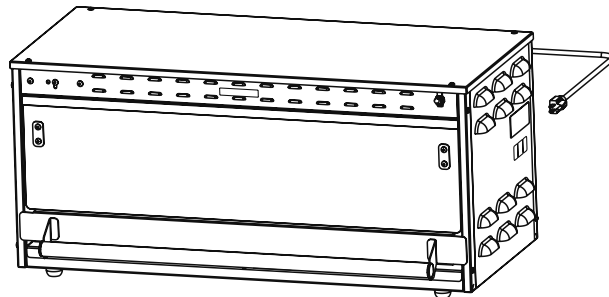
### *GRMW Series*

*GRMW-.5*

*GRMW-3*

*GRMW-4*

---



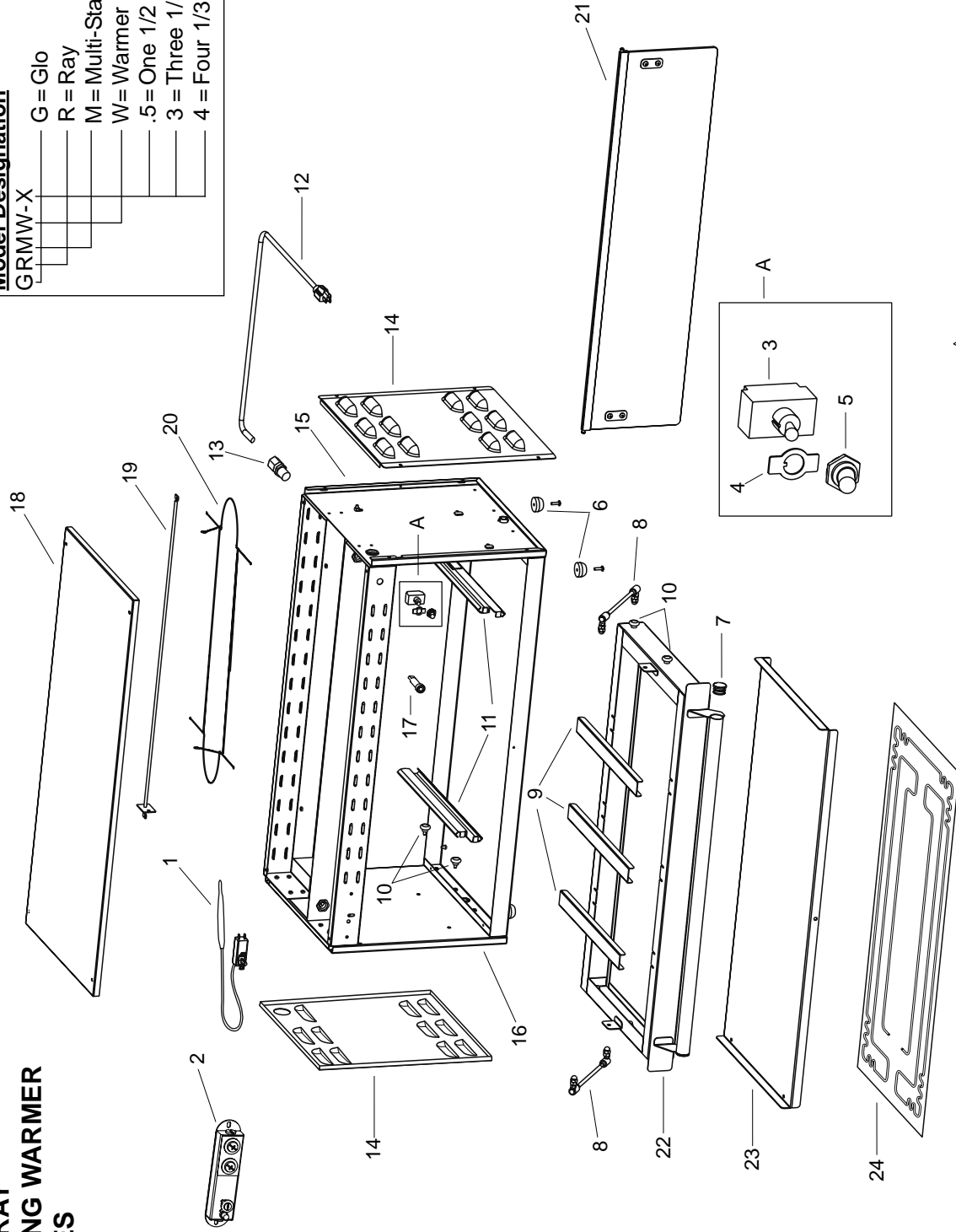
## REPLACEMENT PARTS LIST

---

**HATCO GLO-RAY®  
MULTI-STAGING WARMER  
GRMW SERIES**

**Model Designation**

GRMW-X	G = Glo
	R = Ray
	M = Multi-Staging
	W = Warmer
	.5 = One 1/2 Size Pan
	3 = Three 1/3 Size Pan
	4 = Four 1/3 Size Pan



**CAUTION** - Use of replacement parts other than those supplied by Hatco Corporation may result in damage to the unit or injury to personnel.

24 Hour 7 Day Parts & Service Assistance available in the United States and Canada by calling (800) 558-0607.



**PARTS SPECIFIC TO GRMW-5, -3 & -4 MODELS-120 VOLT**

ITEM	DESCRIPTION	PART NO.	QTY.	ITEM	DESCRIPTION	PART NO.	QTY.
1	Control Thermostat with Bulb (GRMW-3 & GRMW-4 Only)	R02.16.066.00	1	19	Overhead Heating Element		
2	Control Thermostat (GRMW-5 Only)	02.16.123.00	1		GRMW-5 (200 Watt)	R02.08.579D.00	1
3	On/Off Toggle Switch	R02.19.016.00	1		GRMW-3 (350 Watt)	R02.08.001D.00	1
4	On/Off Indicator Plate	07.01.058.00	1	20	Wire Guard	R02.08.026D.00	1
5	Rubber Switch Boot	02.20.040.00	1		GRMW-5 & GRMW-3	04.37.100.00	1
6	Rubber Foot Assembly	R05.30.029.00	4		GRMW-4	04.37.100.00	2
7	Handle Plug	02.20.280.00	2	21	Door Assembly		
8	Swivel Arm Assembly	R04.35.002.00	2		GRMW-5	AS.12.222.00	1
9	Pan Dividers				GRMW-3	AS.12.214.00	1
	GRMW-3	04.35.001.00	2		GRMW-4	AS.12.215.00	1
	GRMW-4	04.35.001.00	3	22	Drawer Assembly		
10	Drawer Rollers	04.35.004.00	8		GRMW-5	R04.35.095.00	1
11	Drawer Slides-Complete†	04.35.003.00	2		GRMW-3	AS.294.00	1
12	Power Cord and Plug	R02.18.030.00	1		GRMW-4	AS.289.00	1
13	Cord Grip Hub	02.20.331.00	1	23	Base Pan, Hardcoated		
14	End Panel Cover				GRMW-5	04.35.032.00	1
	GRMW-5 & -3	04.35.014.00	2		GRMW-3	04.35.013.00	1
	GRMW-4	04.35.014.00	1		GRMW-4	04.35.012.00	1
15	Left Hand Inner End Panel	04.35.015.00	1	24	Base Heating Element		
16	Right Hand Inner End Panel	04.35.016.00	1		GRMW-5 (240 Watt)	02.05.493.00	1
17	Indicator Light, Red	04.35.042.00	1		GRMW-3 (360 Watt)	02.05.492.00	1
18	Top Cover, S.S*	02.19.154.00	1		GRMW-4 (450 Watt)	02.05.491.00	1
	GRMW-5	04.35.034.00	1				
	GRMW-3	04.35.021.00	1				
	GRMW-4	04.35.020.00	1				

\* NOTE: S.S. is an abbreviation for stainless steel.

† Includes both left hand and right hand slides.

## HATCO AUTHORIZED PARTS DISTRIBUTORS

### ALABAMA

Jones McLeod Appl. Svc.  
Birmingham 205-251-0159

### ARIZONA

Auth. Comm. Food Equip.  
Phoenix 602-234-2443  
Byassee Equipment Co.  
Phoenix 602-252-0402

### CALIFORNIA

Industrial Electric  
Huntington Beach 714-379-7100  
Chapman Appl. Service  
San Diego 619-298-7106  
P & D Appliance  
S. San Francisco 650-635-1900

### COLORADO

Hawkins Commercial Appliance  
Englewood 303-781-5548

### DELAWARE

Food Equipment Service  
Wilmington 302-996-9363

### FLORIDA

Whaley Foodservice Repair  
Jacksonville 904-725-7800  
Universal Restaurant Services  
Miami 305-593-5488  
Nass Service Co., Inc.  
Orlando 407-425-2681  
B.G.S.I.  
Pompano Beach 954-971-0456  
Comm. Appliance Service  
Tampa 813-663-0313

### GEORGIA

TWC Services  
Smyrna 770-438-9797  
Heritage Service Group  
Norcross 866-388-9837  
Southeastern Rest. Svc.  
Norcross 770-446-6177

### HAWAII

Burney's Comm. Service, Inc.  
Honolulu 808-848-1466  
Food Equip Parts & Service  
Honolulu 808-847-4871

### ILLINOIS

Parts Town  
Lombard 708-865-7278  
Eichenauer Elec. Service  
Decatur 217-429-4229  
Midwest Elec. Appl. Service  
Elmhurst 630-279-8000  
Cone's Repair Service  
Moline 309-797-5323

### INDIANA

GCS Service  
Indianapolis 317-545-9655

### IOWA

Electric Motor Service Co.  
Davenport 319-323-1823  
Goodwin Tucker Group  
Des Moines 515-262-9308

### KENTUCKY

GCS Service  
Louisville 502-367-1788

### LOUISIANA

Chandlers Parts & Service  
Baton Rouge 225-272-6620

### MARYLAND

Electric Motor Service  
Baltimore 410-467-8080

GCS Service  
Silver Spring 301-585-7550

### MASSACHUSETTS

Ace Service Co., Inc.  
Needham 781-449-4220

### MICHIGAN

Commercial Kitchen Service  
Bay City 517-893-4561  
Bildons Appliance Service  
Detroit 248-478-3320  
Midwest Food Equip. Service  
Grandville 616-261-2000

### MINNESOTA

GCS Service  
Minneapolis 612-546-4221

### MISSOURI

General Parts  
Kansas City 816-421-5400  
Commercial Kitchen Services  
St. Louis 314-890-0700  
Kaemmerlen Parts & Service  
St. Louis 314-535-2222

### NEBRASKA

Anderson Electric  
Omaha 402-341-1414

### NEVADA

Burney's Commercial  
Las Vegas 702-736-0006  
Hi. Tech Commercial Service  
N. Las Vegas 702-649-4616

### NEW JERSEY

Jay Hill Repair  
Fairfield 973-575-9145  
Service Plus  
Flanders 973-691-6300

### NEW YORK

Acme American Repairs, Inc.  
Brooklyn 718-456-6544  
Alpro Service Co.  
Brooklyn 718-386-2515  
Appliance Installation  
Buffalo 716-884-7425  
Northern Parts Dist.  
Plattsburgh 518-563-3200  
J.B. Brady, Inc.  
Syracuse 315-422-9271

### NORTH CAROLINA

Authorized Appliance  
Charlotte 704-377-4501

### OHIO

Akron/Canton Comm. Svc. Inc.  
Akron 330-753-6635  
Certified Service Center  
Cincinnati 513-772-6600  
Commercial Parts and Service  
Columbus 614-221-0057  
Electrical Appl. Repair Service  
Independence 216-459-8700  
E. A. Wichman Co.  
Toledo 419-385-9121

### OKLAHOMA

Hagar Rest. Service, Inc.  
Oklahoma City 405-235-2184  
Krueger, Inc.  
Oklahoma City 405-528-8883

### OREGON

Ron's Service, Inc.  
Portland 503-624-0890

### PENNSYLVANIA

Elmer Schultz Services  
Philadelphia 215-627-5401  
FAST Comm. Appl. Service  
Philadelphia 215-288-4800  
GCS Service  
Pittsburgh 412-787-1970  
K & D Service Co.  
Harrisburg 717-236-9039  
Electric Repair Co.  
Reading 610-376-5444

### RHODE ISLAND

Marshall Electric Co.  
Providence 401-331-1163

### SOUTH CAROLINA

Whaley Foodservice Repair  
W. Columbia 803-791-4420

### TENNESSEE

Camp Electric  
Memphis 901-527-7543

### TEXAS

Stove Parts Supply  
Fort Worth 817-831-0381  
Armstrong Repair Service  
Houston 713-666-7100  
Commercial Kitchen Repair Co.  
San Antonio 210-735-2811

### UTAH

La Monica's Rest. Equip. Service  
Murray 801-263-3221

### VIRGINIA

Daubers  
Norfolk 757-855-4097  
Daubers  
Springfield 703-866-3600

### WASHINGTON

Restaurant Appl. Service  
Seattle 206-524-8200

### WISCONSIN

A.S.C., Inc.  
Madison 608-246-3160  
A.S.C., Inc.  
Milwaukee 414-543-6460

## CANADA

### BRITISH COLUMBIA

Key Food Equipment Service  
Vancouver 604-433-4484

### MANITOBA

Denko Mechanical Ltd.  
Winnipeg 204-233-8003

### ONTARIO

R.G. Henderson Ltd.  
Toronto 416-422-5580  
Choquette CKS  
Ottawa 613-739-8458

### QUÉBEC

Choquette CKS  
Montreal 514-722-2000  
Choquette CKS  
Québec City 418-681-3944

## HATCO CORPORATION

P.O. Box 340500, Milwaukee, WI 53234-0500 U.S.A.  
(800) 558-0607 (414) 671-6350

Parts & Service Fax (800) 690-2966 Int'l. Fax (414) 671-3976  
www.hatcocorp.com