

www.hatcocorp.com

Register Online!
(see page 2)

S'inscrire en ligne!
(voir page 20)



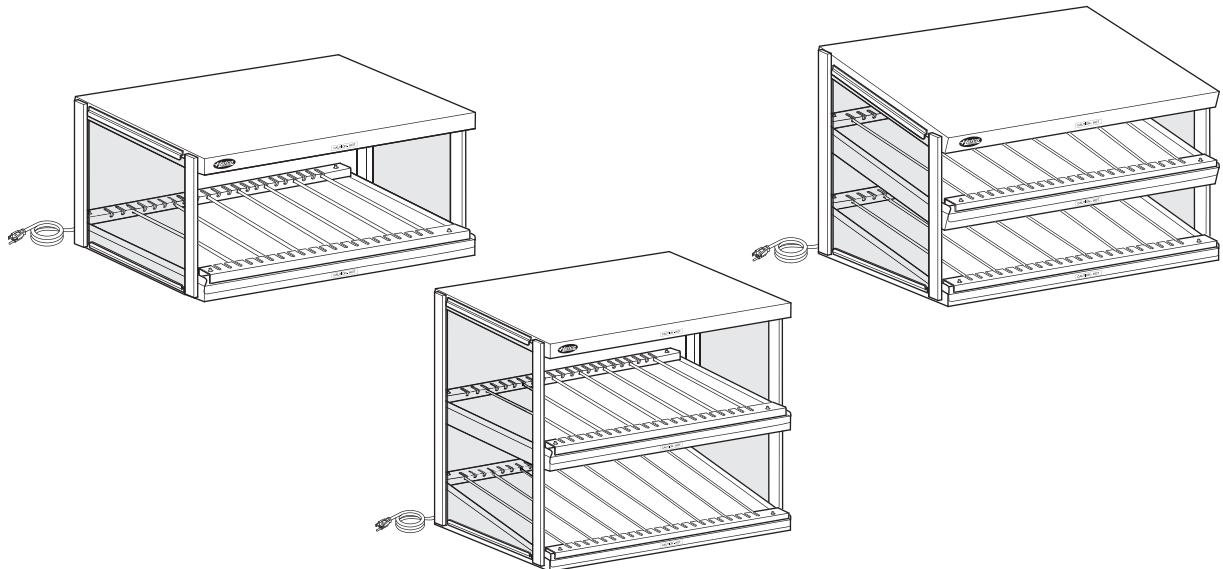
GLO-RAY®

Merchandising Display Warmers Présentoirs Chauffants

GRSDH, GRSDS, and GRSDS/H Series

Installation and Operating Manual Manuel d'installation et d'utilisation

P/N 07.04.301.00



⚠ WARNING

Do not operate this equipment unless you have read and understood the contents of this manual! Failure to follow the instructions contained in this manual may result in serious injury or death. This manual contains important safety information concerning the maintenance, use, and operation of this product. If you're unable to understand the contents of this manual, please bring it to the attention of your supervisor. Keep this manual in a safe location for future reference.

English = p 2

⚠ ADVERTENCIA

No opere este equipo al menos que haya leído y comprendido el contenido de este manual! Cualquier falla en el seguimiento de las instrucciones contenidas en este manual puede resultar en un serio lesión o muerte. Este manual contiene importante información sobre seguridad concerniente al mantenimiento, uso y operación de este producto. Si usted no puede entender el contenido de este manual por favor pregunte a su supervisor. Almacenar este manual en una localización segura para la referencia futura.

⚠ AVERTISSEMENT

Ne pas utiliser cet équipement sans avoir lu et compris le contenu de ce manuel ! Le non-respect des instructions contenues dans ce manuel peut entraîner de graves blessures ou la mort. Ce manuel contient des informations importantes concernant l'entretien, l'utilisation et le fonctionnement de ce produit. Si vous ne comprenez pas le contenu de ce manuel, veuillez le signaler à votre supérieur. Conservez ce manuel dans un endroit sûr pour pouvoir vous y référer plus tard.

Français = p 20

Important Owner Information	2	Installation	13
Introduction	2	General	13
Important Safety Information	3	Operation	14
Model Description	4	General	14
All Models.....	4	Maintenance	15
GRSDH Models.....	4	General	15
GRSDS Models.....	4	Daily Cleaning.....	15
GRSDS/H Models	4	Replacing Display Light Bulbs	15
Model Designation	4	Replacing a Fuse	15
Specifications	5	Troubleshooting Guide	16
Plug Configurations.....	5	Options and Accessories	17
Electrical Rating Charts.....	5	Limited Warranty	19
Dimensions — GRSDH Models	10	Authorized Parts Distributors	Back Cover
Dimensions — GRSDS Models	11		
Dimensions — GRSDS/H Models.....	12		

IMPORTANT OWNER INFORMATION

Record the model number, serial number, voltage, and purchase date of the unit in the spaces below (specification label located on the back of the unit). Please have this information available when calling Hatco for service assistance.

Model No. _____

Serial No. _____

Voltage _____

Date of Purchase _____

Register your unit!

Completing online warranty registration will prevent delay in obtaining warranty coverage. Access the Hatco website at www.hatcocorp.com, select the *Parts & Service* pull-down menu, and click on "Warranty Registration".

Business

Hours: 8:00 AM to 5:00 PM Central Standard Time (CST)
(Summer Hours: June to September—
8:00 AM to 5:00 PM CST Monday–Thursday
8:00 AM to 2:30 PM CST Friday)

Telephone: 800-558-0607; 414-671-6350

e-mail: partsandservice@hatcocorp.com

Fax: 800-690-2966 (Parts and Service)
414-671-3976 (International)



24 Hour 7 Day Parts and Service Assistance available in the United States and Canada by calling 800-558-0607.

Additional information can be found by visiting our web site at www.hatcocorp.com.

INTRODUCTION

The Hatco Glo-Ray® Merchandising Display Warmers are perfect for holding wrapped sandwiches or boxed pizza on a buffet line or at temporary serving areas. These warmers hold hot wrapped products and keep them at optimum serving temperatures without affecting quality. Pre-focused infrared heat from above and a thermostatically controlled heated base extends the holding times of most wrapped food. The infrared heating elements are guaranteed against burnout and breakage for two years. These units also feature incandescent lights along with a cord and plug set(s).

Hatco Glo-Ray Merchandising Display Warmers are products of extensive research and field testing. The materials used were selected for maximum durability, attractive appearance, and optimum performance. Every unit is inspected and tested thoroughly prior to shipment.

This manual provides the installation, safety, and operating instructions for Glo-Ray Merchandising Display Warmers. Hatco recommends all installation, operating, and safety instructions appearing in this manual be read prior to installation or operation of the warmer.

Safety information that appears in this manual is identified by the following signal word panels:



WARNING indicates a hazardous situation which, if not avoided, could result in death or serious injury.



CAUTION indicates a hazardous situation which, if not avoided, could result in minor or moderate injury.



NOTICE is used to address practices not related to personal injury.



Read the following important safety information before using this equipment to avoid serious injury or death and to avoid damage to equipment or property.

WARNING

ELECTRIC SHOCK HAZARD:

- Plug unit into a properly grounded electrical receptacle of the correct voltage, size, and plug configuration. If plug and receptacle do not match, contact a qualified electrician to determine and install proper voltage and size electrical receptacle.
- Units supplied without an electrical plug require field installation of proper plug. Plug must be properly grounded and of correct voltage, size, and configuration for electrical specifications of unit. Contact a qualified electrician to determine and install proper electrical plug.
- Turn OFF power switch, unplug power cord, and allow unit to cool before performing any cleaning, setup, or maintenance.
- Unit is not weatherproof. Locate unit indoors where ambient air temperature is a minimum of 70°F (21°C).
- DO NOT submerge or saturate with water. Unit is not waterproof. Do not operate if unit has been submerged or saturated with water.
- Do not steam clean or use excessive water on unit.
- This unit is not “jet-proof” construction. Do not use jet-clean spray to clean this unit.
- Do not clean unit when it is energized or hot.
- Do not pull unit by power cord.
- Discontinue use if power cord is frayed or worn.
- Do not attempt to repair or replace a damaged power cord. Cord must be replaced by Hatco, an Authorized Hatco Service Agent, or a person with similar qualifications.
- This unit must be serviced by qualified personnel only. Service by unqualified personnel may lead to electric shock or burn.
- Use only Genuine Hatco Replacement Parts when service is required. Failure to use Genuine Hatco Replacement Parts will void all warranties and may subject operators of the equipment to hazardous electrical voltage, resulting in electrical shock or burn. Genuine Hatco Replacement Parts are specified to operate safely in the environments in which they are used. Some aftermarket or generic replacement parts do not have the characteristics that will allow them to operate safely in Hatco equipment.

FIRE HAZARD: Locate unit a minimum of 1” (25 mm) from combustible walls and materials. If safe distances are not maintained, discoloration or combustion could occur.

This unit has no “user-serviceable” parts. If service is required on this unit, contact an Authorized Hatco Service Agent or contact the Hatco Service Department at 800-558-0607 or 414-671-6350; fax 800-690-2966; or International fax 414-671-3976.

WARNING

Use only light bulbs that meet or exceed National Sanitation Foundation (NSF) standards and are specifically designed for food holding areas. Breakage of light bulbs not specially coated could result in personal injury and/or food contamination.

Make sure food product has been heated to the proper food-safe temperature before placing in unit. Failure to heat food product properly may result in serious health risks. This unit is for holding pre-heated food product only.

Do not place food product directly onto hardcoat surface. Food product must be wrapped, boxed, or on a food pan.

Make sure all operators have been instructed on the safe and proper use of the unit.

This unit is not intended for use by children or persons with reduced physical, sensory, or mental capabilities. Ensure proper supervision of children and keep them away from the unit.

CAUTION

BURN HAZARD: Some exterior surfaces on unit will get hot. Use caution when touching these areas.

Locate unit at proper counter height in an area that is convenient for use. Location should be level to prevent unit or its contents from falling accidentally and strong enough to support the weight of the unit and contents.

The National Sanitation Foundation (NSF) requires that units over 36” (914 mm) in width or weighing more than 80 lbs. (36 kg) either be sealed to or raised above the installation surface. If unit cannot be sealed at the point of use, 4” (102 mm) legs are included to allow for proper cleaning access below unit.

NOTICE

Do not lay unit on the side with the control panel. Damage to unit could occur.

Use non-abrasive cleaners and cloths only. Abrasive cleaners and cloths could scratch finish of unit, marring its appearance and making it susceptible to soil accumulation. Use of abrasive materials will void warranty.

Do not slide pans across hardcoat surface, use rough-bottomed pans, or drop anything on hardcoat surface. Scratching may occur. Damage to hardcoat surface caused by misuse is not covered under warranty.

IMPORTANT—DO NOT use paper towel or glass cleaner to clean plastic surfaces such as sneeze guards and flip-up doors. Paper towel and glass cleaner may scratch the material. Wipe off plastic surfaces using a soft, clean, water-dampened cloth.

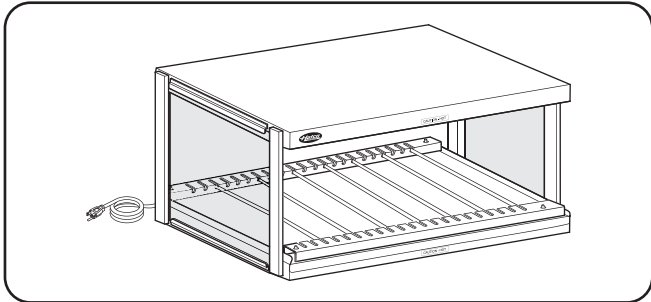
Clean unit daily to avoid malfunctions and maintain sanitary operation.

All Models

All Hatco Glo-Ray® Merchandising Display Warmers are constructed of aluminum, stainless steel, and powdercoated steel. Features include tempered glass side panels, a temperature controlled heated base, infrared upper heating elements, incandescent lights, product divider rods, legs, and a cord and plug set. The operating temperature range is from room temperature to approximately 185°–200°F (85°–93°C).

GRSDH Models

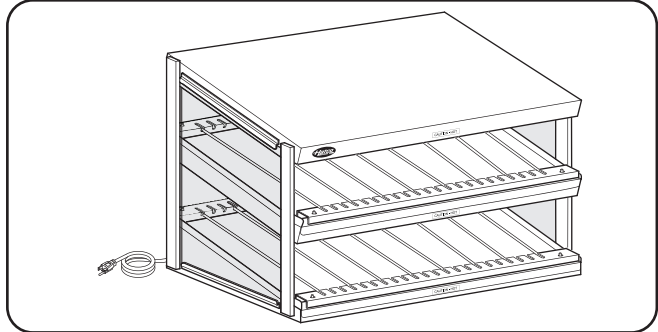
The GRSDH models are horizontal shelf warmers designed to hold hot wrapped product. They can be ordered in various widths from 24" to 60" (610 to 1524 mm) and are available in single or dual shelf models.



GRSDH Model — Single Shelf

GRSDS Models

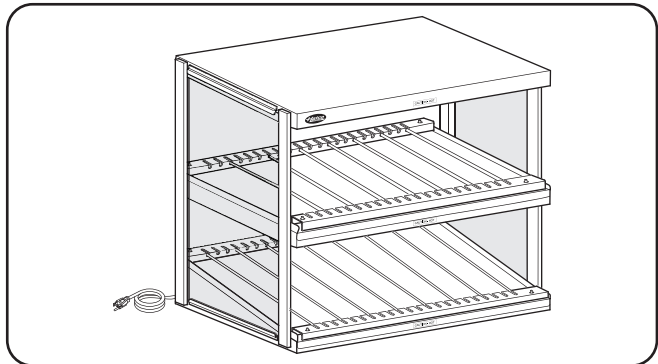
The GRSDS models are slant shelf warmers designed to hold hot wrapped product. The shelves are slanted for the convenience of self-serve. They can be ordered in various widths from 24" to 60" (610 to 1524 mm) and are available in single or dual shelf models. 24" (610 mm) and 36" (914 mm) units are available in triple shelf models.



GRSDS Model — Dual Shelf

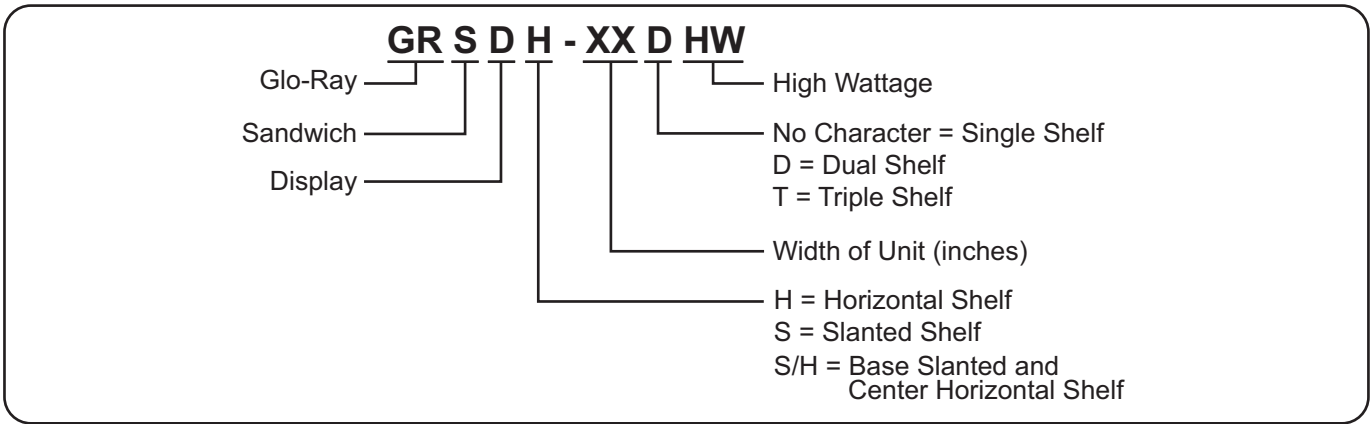
GRSDS/H Models

The GRSDS/H models are dual shelf units that include one slanted shelf and one horizontal shelf. They can be ordered in widths of 30" (762 mm), 36" (914 mm), or 41" (1041 mm). Optional high wattage is available for top shelf. GRSDS/H models are ideal for holding popcorn on the top horizontal shelf and nachos, boxed pizza, or wrapped product on the bottom slanted shelf.



GRSDS/H Model — Dual Shelf

MODEL DESIGNATION



Plug Configurations

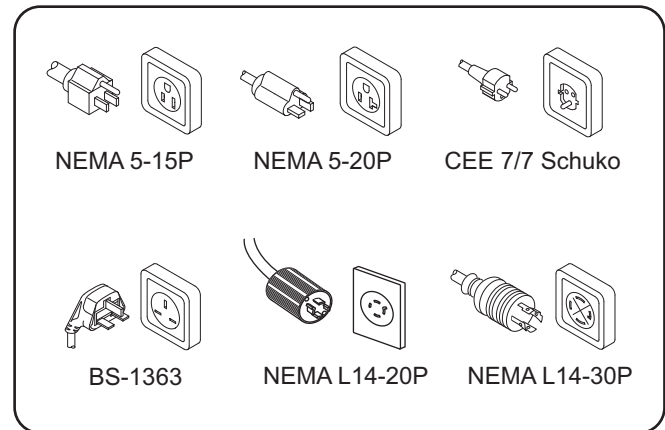
Units are supplied from the factory with an electrical cord and plug installed (plugs are supplied according to the applications). Some international units may require field installation of the proper plug.



WARNING

ELECTRIC SHOCK HAZARD:

- Plug unit into a properly grounded electrical receptacle of the correct voltage, size, and plug configuration. If plug and receptacle do not match, contact a qualified electrician to determine and install proper voltage and size electrical receptacle.
- Units supplied without an electrical plug require field installation of proper plug. Plug must be properly grounded and of correct voltage, size, and configuration for electrical specifications of unit. Contact a qualified electrician to determine and install proper electrical plug.



Plug Configurations

NOTE: Receptacle not supplied by Hatco.

Electrical Rating Chart — GRSDH Models, Single Shelf

Model	Voltage	Watts	Amps	Plug Configuration	Shipping Weight
GRSDH-24	120	830	6.9	NEMA 5-15P	51 lbs. (23 kg)
GRSDH-30	120	970	8.1	NEMA 5-15P	58 lbs. (26 kg)
	200	940	4.7	CEE 7/7 Schuko	58 lbs. (26 kg)
	220	890	4.0	CEE 7/7 Schuko	58 lbs. (26 kg)
	240	1060	4.4	BS-1363	58 lbs. (26 kg)
	220–230 (CE)	890–974	4.0–4.2	CEE 7/7 Schuko	58 lbs. (26 kg)
	230–240 (CE)	974–1060	4.2–4.4	BS-1363	58 lbs. (26 kg)
GRSDH-36	120	1170	9.8	NEMA 5-15P	66 lbs. (30 kg)
	220	1074	4.9	CEE 7/7 Schuko	66 lbs. (30 kg)
	240	1278	5.3	BS-1363	66 lbs. (30 kg)
	220–230 (CE)	1074–1174	4.9–5.1	CEE 7/7 Schuko	66 lbs. (30 kg)
	230–240 (CE)	1174–1278	5.1–5.3	BS-1363	66 lbs. (30 kg)
GRSDH-41	120	1340	11.2	NEMA 5-15P	74 lbs. (34 kg)
	200	1180	5.9	No Plug	74 lbs. (34 kg)
	220	1228	5.6	CEE 7/7 Schuko	74 lbs. (34 kg)
	240	1464	6.1	BS-1363	74 lbs. (34 kg)
	220–230 (CE)	1228–1343	5.6–5.8	CEE 7/7 Schuko	74 lbs. (34 kg)
	230–240 (CE)	1343–1464	5.8–6.1	BS-1363	74 lbs. (34 kg)
GRSDH-52	120	1760	14.7	NEMA 5-15P *	86 lbs. (39 kg)
	220	1604	7.3	CEE 7/7 Schuko	86 lbs. (39 kg)
	240	1912	8.0	BS-1363	86 lbs. (39 kg)
	220–230 (CE)	1604–1754	7.3–7.6	CEE 7/7 Schuko	86 lbs. (39 kg)
	230–240 (CE)	1754–1912	7.6–8.0	BS-1363	86 lbs. (39 kg)
GRSDH-60	120/208–240	2100	15.0	NEMA L14-20P	198 lbs. (90 kg)
	220	1830	8.3	CEE 7/7 Schuko	198 lbs. (90 kg)
	240	2180	9.1	BS-1363	198 lbs. (90 kg)
	220–230 (CE)	1830–2001	8.3–8.7	CEE 7/7 Schuko	198 lbs. (90 kg)
	230–240 (CE)	2001–2180	8.7–9.1	BS-1363	198 lbs. (90 kg)

The shaded areas contain electrical information for **International models only**.

* NEMA 5-20P for Canada

Electrical Rating Chart — GRSDH Models, Horizontal Dual Shelf

Model	Voltage	Watts	Amps	Plug Configuration	Shipping Weight
GRSDH-24D	120	1660	13.8	NEMA 5-15P *	90 lbs. (41 kg)
GRSDH-30D	120	1920	16.0	NEMA 5-20P	100 lbs. (45 kg)
	220	1780	8.1	CEE 7/7 Schuko	100 lbs. (45 kg)
	240	2120	8.8	BS-1363	100 lbs. (45 kg)
	220-230 (CE)	1780-1948	8.1-8.5	CEE 7/7 Schuko	100 lbs. (45 kg)
	230-240 (CE)	1948-2120	8.5-8.8	BS-1363	100 lbs. (45 kg)
GRSDH-36D	120†	1170	9.8	NEMA 5-15P ‡	112 lbs. (51 kg)
	120/208-240	2340	9.8	NEMA L14-20P	112 lbs. (51 kg)
	220	2148	9.8	CEE 7/7 Schuko	112 lbs. (51 kg)
	240	2556	10.7	BS-1363	112 lbs. (51 kg)
	220-230 (CE)	2148-2348	9.8-10.2	CEE 7/7 Schuko	112 lbs. (51 kg)
	230-240 (CE)	2348-2556	10.2-10.7	BS-1363	112 lbs. (51 kg)
GRSDH-41D	120†	1340	11.2	NEMA 5-15P ‡	126 lbs. (57 kg)
	120/208-240	2680	11.2	NEMA L14-20P	126 lbs. (57 kg)
	220	2456	11.2	CEE 7/7 Schuko	126 lbs. (57 kg)
	240	2928	12.2	BS-1363	126 lbs. (57 kg)
	220-230 (CE)	2456-2686	11.2-11.7	CEE 7/7 Schuko	126 lbs. (57 kg)
	230-240 (CE)	2686-2928	11.7-12.2	BS-1363	126 lbs. (57 kg)
GRSDH-52D	120†	1760	14.7	NEMA 5-15P ‡	150 lbs. (68 kg)
	120/208-240	3520	14.7	NEMA L14-20P	150 lbs. (68 kg)
	220	3208	14.6	CEE 7/7 Schuko	150 lbs. (68 kg)
	240	3824	15.9	No Plug	150 lbs. (68 kg)
	220-230 (CE)	3208-3508	14.6-15.3	CEE 7/7 Schuko	150 lbs. (68 kg)
	230-240 (CE)	3508-3824	15.3-15.9	No Plug	150 lbs. (68 kg)
GRSDH-60D	120/208-240	4200	17.5	NEMA L14-20P Δ	268 lbs. (122 kg)
	220	3948	18.0	No Plug	268 lbs. (122 kg)
	240	4360	18.2	No Plug	268 lbs. (122 kg)
	220-230 (CE)	3660-4002	16.6-17.4	No Plug	268 lbs. (122 kg)
	230-240 (CE)	4002-4360	17.4-18.2	No Plug	268 lbs. (122 kg)

The shaded areas contain electrical information for **International models only**.

† Not available in Canada

‡ Unit comes equipped with two cord and plug sets, requiring two separate 15 A power circuits. Ratings are for each circuit.

* NEMA 5-20P for Canada

Δ NEMA L14-30P for Canada.

Electrical Rating Chart — GRSDS Models, Slant Single Shelf

Model	Voltage	Watts	Amps	Plug Configuration	Shipping Weight
GRSDS-24	120	695	5.8	NEMA 5-15P	72 lbs. (33 kg)
	220	629	2.9	CEE 7/7 Schuko	72 lbs. (33 kg)
	240	749	3.1	BS-1363	72 lbs. (33 kg)
	220–230 (CE)	629–688	2.9–3.0	CEE 7/7 Schuko	72 lbs. (33 kg)
	230–240 (CE)	688–749	3.0–3.1	BS-1363	72 lbs. (33 kg)
GRSDS-24HW	120	1165	9.7	NEMA 5-15P	72 lbs. (33 kg)
GRSDS-30	120	790	6.6	NEMA 5-15P	80 lbs. (36 kg)
	220	730	3.3	CEE 7/7 Schuko	80 lbs. (36 kg)
	240	862	3.6	BS-1363	80 lbs. (36 kg)
	220–230 (CE)	730–799	3.3–3.5	CEE 7/7 Schuko	80 lbs. (36 kg)
	230–240 (CE)	799–870	3.5–3.6	BS-1363	80 lbs. (36 kg)
GRSDS-30HW	120	1450	12.1	NEMA 5-15P *	80 lbs. (36 kg)
GRSDS-36	120	935	7.8	NEMA 5-15P	92 lbs. (42 kg)
	220	864	3.9	CEE 7/7 Schuko	92 lbs. (42 kg)
	240	1030	4.3	BS-1363	92 lbs. (42 kg)
	220–230 (CE)	865–946	3.9–4.1	CEE 7/7 Schuko	92 lbs. (42 kg)
	230–240 (CE)	946–1030	4.1–4.3	BS-1363	92 lbs. (42 kg)
GRSDS-36HW	120	1775	14.8	NEMA 5-15P *	92 lbs. (42 kg)
GRSDS-41	120	1090	9.1	NEMA 5-15P	96 lbs. (44 kg)
	200	1062	5.3	No Plug	96 lbs. (44 kg)
	220	1003	4.6	CEE 7/7 Schuko	96 lbs. (44 kg)
	240	1195	5.0	BS-1363	96 lbs. (44 kg)
	220–230 (CE)	1003–1097	4.6–4.8	CEE 7/7 Schuko	96 lbs. (44 kg)
	230–240 (CE)	1097–1195	4.8–5.0	BS-1363	96 lbs. (44 kg)
GRSDS-41HW	120†	2070	17.3	NEMA 5-20P	96 lbs. (44 kg)
GRSDS-52	120	1400	11.7	NEMA 5-15P	102 lbs. (46 kg)
	220	1275	5.8	CEE 7/7 Schuko	102 lbs. (46 kg)
	240	1520	6.3	BS-1363	102 lbs. (46 kg)
	220–230 (CE)	1275–1396	5.8–6.1	CEE 7/7 Schuko	102 lbs. (46 kg)
	230–240 (CE)	1396–1520	6.1–6.3	BS-1363	102 lbs. (46 kg)
GRSDS-52HW	120/208–240	2710	14.8	NEMA L14-20P	102 lbs. (46 kg)
GRSDS-60	120	1715	14.3	NEMA 5-15P *	108 lbs. (49 kg)
	220	1665	7.6	CEE 7/7 Schuko	108 lbs. (49 kg)
	240	1715	7.2	BS-1363	108 lbs. (49 kg)
	220–230 (CE)	1665–1820	7.6–7.9	CEE 7/7 Schuko	108 lbs. (49 kg)
	230–240 (CE)	1575–1715	6.8–7.2	BS-1363	108 lbs. (49 kg)

The shaded areas contain electrical information for **International models only**.

† Not available in Canada

* NEMA 5-20P for Canada

Electrical Rating Chart — GRSDS Models, Slant Dual Shelf

Model	Voltage	Watts	Amps	Plug Configuration	Shipping Weight
GRSDS-24D	120	1355	11.3	NEMA 5-15P	128 lbs. (58 kg)
	220	1352	6.1	CEE 7/7 Schuko	128 lbs. (58 kg)
	240	1611	6.7	BS-1363	128 lbs. (58 kg)
	220-230 (CE)	1352-1479	6.1-6.4	CEE 7/7 Schuko	128 lbs. (58 kg)
	230-240 (CE)	1479-1611	6.4-6.7	BS-1363	128 lbs. (58 kg)
GRSDS-24DHW	120/208-240	2290	9.7	NEMA L14-20P	128 lbs. (58 kg)
	220-230 (CE)	1973-2156	9.0-9.4	CEE 7/7 Schuko	128 lbs. (58 kg)
	230-240 (CE)	2156-2348	9.4-9.8	BS-1363	128 lbs. (58 kg)
GRSDS-30D	120	1530	12.8	NEMA 5-15P *	140 lbs. (64 kg)
	220	1419	6.5	CEE 7/7 Schuko	140 lbs. (64 kg)
	240	1690	7.0	BS-1363	140 lbs. (64 kg)
	220-230 (CE)	1419-1552	6.5-6.8	CEE 7/7 Schuko	140 lbs. (64 kg)
	230-240 (CE)	1552-1690	6.8-7.0	BS-1363	140 lbs. (64 kg)
GRSDS-30DHW	120†	1400/1450	11.7/12.1	NEMA 5-15P ‡	140 lbs. (64 kg)
	120/208-240	2850	12.1	NEMA L14-20P	140 lbs. (64 kg)
	220	2743	12.5	CEE 7/7 Schuko	140 lbs. (64 kg)
	240	2922	12.2	BS-1363	140 lbs. (64 kg)
GRSDS-36D	120	1810	15.1	NEMA 5-20P	158 lbs. (72 kg)
	220	1669	7.6	CEE 7/7 Schuko	158 lbs. (72 kg)
	240	1990	8.3	BS-1363	158 lbs. (72 kg)
	220-230 (CE)	1670-1827	7.6-7.9	CEE 7/7 Schuko	158 lbs. (72 kg)
	230-240 (CE)	1827-1990	7.9-8.3	BS-1363	158 lbs. (72 kg)
GRSDS-36DHW	120/208-240	3490	14.8	NEMA L14-20P	158 lbs. (72 kg)
	220-230 (CE)	3003-3283	13.7-14.3	CEE 7/7 Schuko	158 lbs. (72 kg)
	230-240 (CE)	3283-3574	14.3-14.9	No Plug	158 lbs. (72 kg)
GRSDS-41D	120†	1090/1030	9.1/8.6	NEMA 5-15P ‡	178 lbs. (81 kg)
	120/208-240	2120	9.1	NEMA L14-20P	178 lbs. (81 kg)
	200	2098	10.5	No Plug	178 lbs. (81 kg)
	220	1951	8.9	CEE 7/7 Schuko	178 lbs. (81 kg)
	240	2325	9.7	BS-1363	178 lbs. (81 kg)
	220-230 (CE)	1951-2135	8.9-9.3	CEE 7/7 Schuko	178 lbs. (81 kg)
	230-240 (CE)	2135-2325	9.3-9.7	BS-1363	178 lbs. (81 kg)
GRSDS-41DHW	120†	2010/2070	16.8/17.3	NEMA 5-20P ◆	178 lbs. (81 kg)
	120/208-240	3360	15.0	NEMA L14-20P	178 lbs. (81 kg)
	220-230 (CE)	3477-3800	15.8-16.5	No Plug	178 lbs. (81 kg)
	230-240 (CE)	3800-4137	16.5-17.2	No Plug	178 lbs. (81 kg)

The shaded areas contain electrical information for **International models only**.

† Not available in Canada

* NEMA 5-20P for Canada

‡ Unit comes equipped with two cord and plug sets, requiring two separate 15 A power circuits. Ratings are for each circuit.

◆ Unit comes equipped with two cord and plug sets, requiring two separate 20 A power circuits. Ratings are for each circuit.

NOTE: High wattage units have a high wattage output on the top shelf only.

Electrical Rating Chart — GRSDS Models, Slant Dual Shelf (continued)

Model	Voltage	Watts	Amps	Plug Configuration	Shipping Weight
GRSDS-52D	120†	1400/1325	11.7/11.0	NEMA 5-15P ‡	205 lbs. (93 kg)
	120/208–240	2725	11.7	NEMA L14-20P	205 lbs. (93 kg)
	220	2483	11.3	CEE 7/7 Schuko	205 lbs. (93 kg)
	240	2960	12.3	BS-1363	205 lbs. (93 kg)
	220–230 (CE)	2485–2718	11.3–11.8	CEE 7/7 Schuko	205 lbs. (93 kg)
	230–240 (CE)	2718–2960	11.8–12.3	BS-1363	205 lbs. (93 kg)
GRSDS-52DHW	120/208–240	5340	22.6	NEMA L14-30P	205 lbs. (93 kg)
GRSDS-60D	120/208–240	3340	14.3	NEMA L14-20P	238 lbs. (108 kg)
	220	3240	14.7	CEE 7/7 Schuko	238 lbs. (108 kg)
	240	3340	13.9	No Plug	238 lbs. (108 kg)
	220–230 (CE)	3240–3541	14.7–15.4	CEE 7/7 Schuko	238 lbs. (108 kg)
	230–240 (CE)	3067–3340	13.3–13.9	No Plug	238 lbs. (108 kg)

Electrical Rating Chart — GRSDS Models, Slant Triple Shelf

Model	Voltage	Watts	Amps	Plug Configuration	Shipping Weight
GRSDS-24T	120†	2015	16.8	NEMA 5-20P	183 lbs. (83 kg)
GRSDS-36T	120/208–240	2685	14.6	NEMA L14-20P	225 lbs. (120 kg)

Electrical Rating Chart — GRSDS/H Models, Slant/Horizontal Dual Shelf

Model	Voltage	Watts	Amps	Plug Configuration	Shipping Weight
GRSDS/H-30D	120	1530	12.8	NEMA 5-15P *	140 lbs. (64 kg)
	220	1419	6.5	CEE 7/7 Schuko	140 lbs. (64 kg)
	240	1690	7.0	BS-1363	140 lbs. (64 kg)
	220–230 (CE)	1419–1552	6.5–6.8	CEE 7/7 Schuko	140 lbs. (64 kg)
	230–240 (CE)	1552–1690	6.8–7.0	BS-1363	140 lbs. (64 kg)
GRSDS/H-30DHW	120/208–240	2450	11.0	NEMA L14-20P	140 lbs. (64 kg)
GRSDS/H-36D	120	1810	15.1	NEMA 5-20P	158 lbs. (72 kg)
	220	1669	7.6	CEE 7/7 Schuko	158 lbs. (72 kg)
	240	1990	8.3	BS-1363	158 lbs. (72 kg)
	220–230 (CE)	1670–1827	7.6–7.9	CEE 7/7 Schuko	158 lbs. (72 kg)
	230–240 (CE)	1827–1990	7.9–8.3	BS-1363	158 lbs. (72 kg)
GRSDS/H-36DHW	120/208–240	2910	13.3	NEMA L14-20P	158 lbs. (72 kg)
GRSDS/H-41D	120/208–240	2120	9.1	NEMA L14-20P	178 lbs. (81 kg)
	220	1951	8.9	CEE 7/7 Schuko	178 lbs. (81 kg)
	240	2325	9.7	BS-1363	178 lbs. (81 kg)
	220–230 (CE)	1951–2135	8.9–9.3	CEE 7/7 Schuko	178 lbs. (81 kg)
	230–240 (CE)	2135–2325	9.3–9.7	BS-1363	178 lbs. (81 kg)
GRSDS/H-41DHW	120/208–240	3360	15.0	NEMA L14-20P	178 lbs. (81 kg)

The shaded areas contain electrical information for **International models only**.

* NEMA 5-20P for Canada

‡ Unit comes equipped with two cord and plug sets, requiring two separate 15 A power circuits. Ratings are for each circuit.

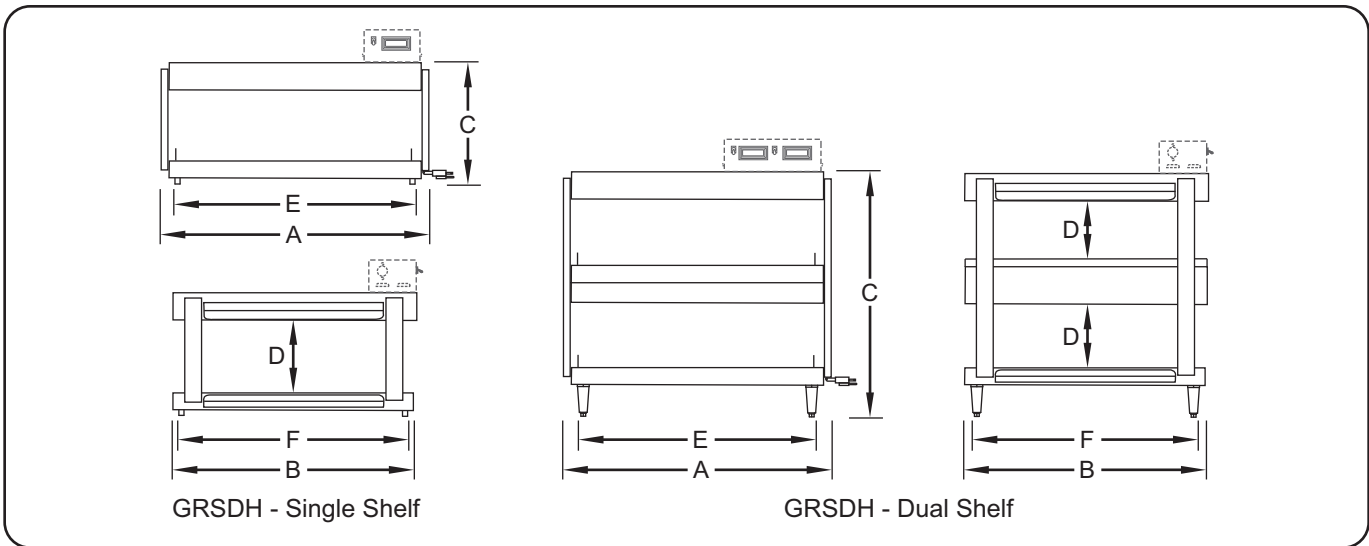
NOTE: High wattage units have a high wattage output on the top shelf only.

Dimensions — GRSDH Models

Model	Width (A)	Depth (B)	Height (C) *	Shelf Height (D)	Footprint Width (E)	Footprint Depth (F)
GRSDH-24	24" (610 mm)	19-1/2" (495 mm)	12" † (305 mm)	7-1/8" (181 mm)	21-1/2" (546 mm)	18" (457 mm)
GRSDH-30	30" (762 mm)	19-1/2" (495 mm)	12" † (305 mm)	7-1/8" (181 mm)	27-1/2" (699 mm)	18" (457 mm)
GRSDH-36	36" (914 mm)	19-1/2" (495 mm)	12" † (305 mm)	7-1/8" (181 mm)	33-1/2" (851 mm)	18" (457 mm)
GRSDH-41	41" (1041 mm)	19-1/2" (495 mm)	15" ♦ (381 mm)	7-1/8" (181 mm)	38-1/2" (978 mm)	18" (457 mm)
GRSDH-52	52" (1321 mm)	19-1/2" (495 mm)	15" ♦ (381 mm)	7-1/8" (181 mm)	49-1/2" (1257 mm)	18" (457 mm)
GRSDH-60	60" (1524 mm)	19-1/2" (495 mm)	15" ♦ (381 mm)	7-1/8" (181 mm)	57-1/2" (1461 mm)	18" (457 mm)
GRSDH-24D	24" (610 mm)	19-1/2" (495 mm)	25-1/2" ♦ (648 mm)	7-1/8" (181 mm)	21-1/2" (546 mm)	18" (457 mm)
GRSDH-30D	30" (762 mm)	19-1/2" (495 mm)	25-1/2" ♦ (648 mm)	7-1/8" (181 mm)	27-1/2" (699 mm)	18" (457 mm)
GRSDH-36D	36" (914 mm)	19-1/2" (495 mm)	25-1/2" ♦ (648 mm)	7-1/8" (181 mm)	33-1/2" (851 mm)	18" (457 mm)
GRSDH-41D	41" (1041 mm)	19-1/2" (495 mm)	25-1/2" ♦ (648 mm)	7-1/8" (181 mm)	38-1/2" (978 mm)	18" (457 mm)
GRSDH-52D	52" (1321 mm)	19-1/2" (495 mm)	25-1/2" ♦ (648 mm)	7-1/8" (181 mm)	49-1/2" (1257 mm)	18" (457 mm)
GRSDH-60D	60" (1524 mm)	19-1/2" (495 mm)	25-1/2" ♦ (648 mm)	7-1/8" (181 mm)	57-1/2" (1461 mm)	18" (457 mm)

* Add 3-1/8" (79 mm) to height for electronic controls.
 † Add 3" (76mm) to height when using 4"(102mm) legs.

♦ Height includes 4" (102 mm) legs attached.



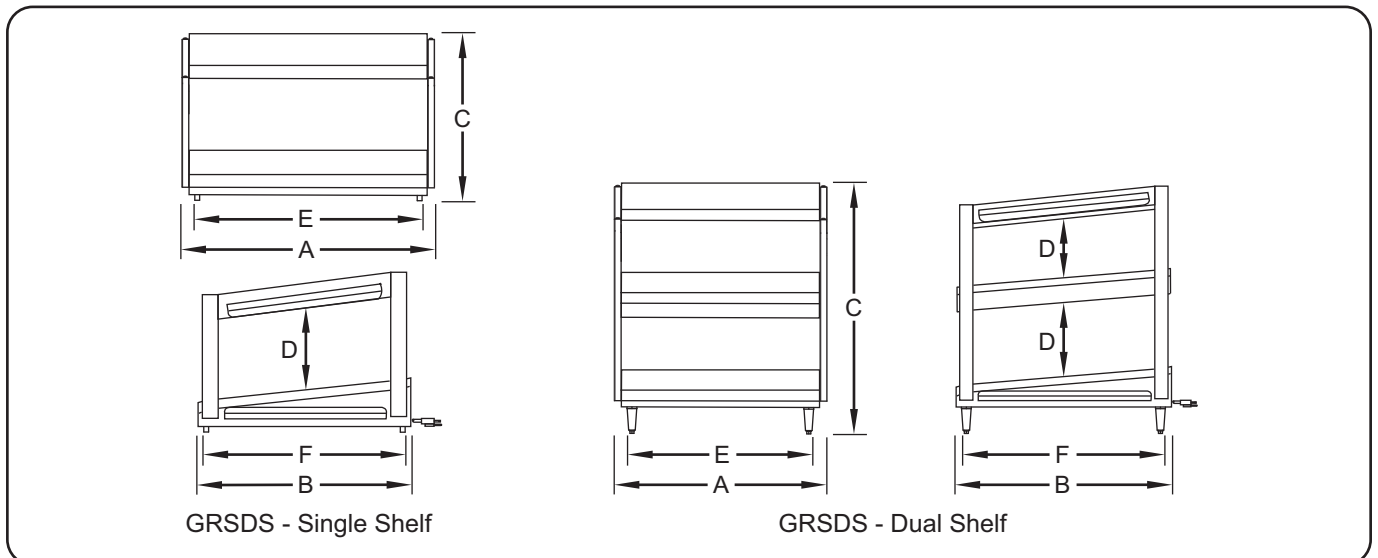
GRSDH Single Shelf and Dual Shelf Dimensions

Dimensions — GRSDS Models

Model	Width (A)	Depth (B)	Height (C)	Shelf Height (D)	Footprint Width (E)	Footprint Depth (F)
GRSDS-24	24" (610 mm)	24-1/4" (614 mm)	18-5/8" † (473 mm)	9-1/4" (235 mm)	21-1/2" (546 mm)	22-1/2" (572 mm)
GRSDS-30	30" (762 mm)	24-1/4" (614 mm)	18-5/8" † (473 mm)	9-1/4" (235 mm)	27-1/2" (699 mm)	22-1/2" (572 mm)
GRSDS-36	36" (914 mm)	24-1/4" (614 mm)	21-5/8" ♦ (548 mm)	9-1/4" (235 mm)	33-1/2" (851 mm)	22-1/2" (572 mm)
GRSDS-41	41" (1041 mm)	24-1/4" (614 mm)	21-5/8" ♦ (548 mm)	9-1/4" (235 mm)	38-1/2" (978 mm)	22-1/2" (572 mm)
GRSDS-52	52" (1321 mm)	24-1/4" (614 mm)	21-5/8" ♦ (548 mm)	9-1/4" (235 mm)	49-1/2" (1257 mm)	22-1/2" (572 mm)
GRSDS-60	60" (1524 mm)	24-1/4" (614 mm)	21-5/8" ♦ (548 mm)	9-1/4" (235 mm)	57-1/2" (1461 mm)	22-1/2" (572 mm)
GRSDS-24D	24" (610 mm)	24-1/4" (614 mm)	32-3/8" ♦ (822 mm)	8-1/4" (210 mm)	21-1/2" (546 mm)	22-1/2" (572 mm)
GRSDS-30D	30" (762 mm)	24-1/4" (614 mm)	32-3/8" ♦ (822 mm)	8-1/4" (210 mm)	27-1/2" (699 mm)	22-1/2" (572 mm)
GRSDS-36D	36" (914 mm)	24-1/4" (614 mm)	32-3/8" ♦ (822 mm)	8-1/4" (210 mm)	33-1/2" (851 mm)	22-1/2" (572 mm)
GRSDS-41D	41" (1041 mm)	24-1/4" (614 mm)	32-3/8" ♦ (822 mm)	8-1/4" (210 mm)	38-1/2" (978 mm)	22-1/2" (572 mm)
GRSDS-52D	52" (1321 mm)	24-1/4" (614 mm)	32-3/8" ♦ (822 mm)	8-1/4" (210 mm)	49-1/2" (1257 mm)	22-1/2" (572 mm)
GRSDS-60D	60" (1524 mm)	24-1/4" (614 mm)	32-3/8" ♦ (822 mm)	8-1/4" (210 mm)	57-1/2" (1461 mm)	22-1/2" (572 mm)

† Add 3" (76mm) to height when using 4"(102mm) legs.

♦ Height includes 4" (102 mm) legs attached.



GRSDS Single Shelf and Dual Shelf Dimensions

Dimensions — GRSDS Models, Slant Triple Shelf

Model	Width (A)	Depth (B)	Height (C)♦	Footprint Width (D)	Footprint Depth (E)
GRSDS-24T	24" (610 mm)	24-1/4" (614 mm)	43-7/8" (1114 mm)	21-1/2" (546 mm)	22-3/4" (578 mm)
GRSDS-36T	36" (914 mm)	24-1/4" (614 mm)	43-7/8" (1114 mm)	33-1/2" (851 mm)	22-3/4" (578 mm)

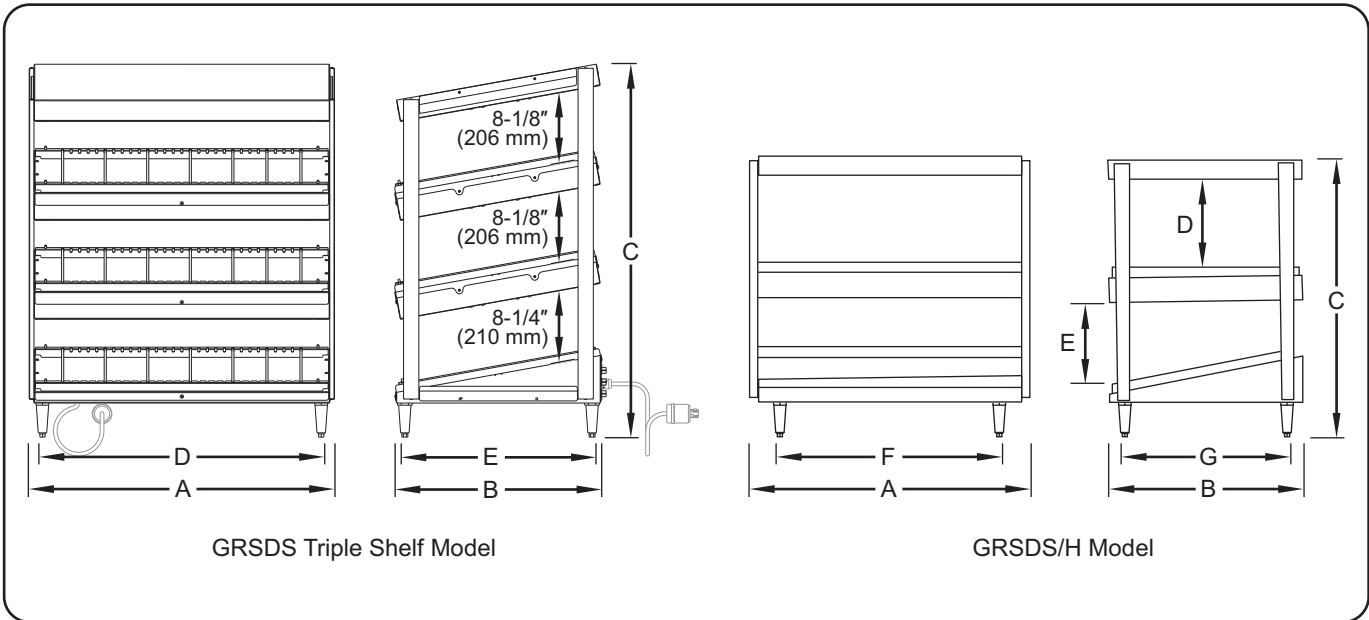
♦ Height includes 4" (102 mm) legs attached.

Dimensions — GRSDS/H Models

Model	Width (A)	Depth (B)	Height (C)♦	Top Shelf Height (D)*	Base Shelf Height (E)	Footprint Width (F)	Footprint Depth (G)
GRSDS/H-30D	30" (762 mm)	24-1/4" (614 mm)	33-1/2" (851 mm)	12" (305 mm)	10-3/8" (264 mm)	27-1/2" (699 mm)	22-1/2" (572 mm)
GRSDS/H-36D	36" (914 mm)	24-1/4" (614 mm)	33-1/2" (851 mm)	12" (305 mm)	10-3/8" (264 mm)	33-1/2" (851 mm)	22-1/2" (572 mm)
GRSDS/H-41D	41" (1041 mm)	24-1/4" (614 mm)	33-1/2" (851 mm)	12" (305 mm)	10-3/8" (264 mm)	38-1/2" (978 mm)	22-1/2" (572 mm)
GRSDS-30DHW	30" (762 mm)	24-1/4" (614 mm)	33-1/2" (851 mm)	12" (305 mm)	10-3/8" (264 mm)	27-1/2" (699 mm)	22-1/2" (572 mm)
GRSDS-36DHW	36" (914 mm)	24-1/4" (614 mm)	33-1/2" (851 mm)	12" (305 mm)	10-3/8" (264 mm)	33-1/2" (851 mm)	22-1/2" (572 mm)
GRSDS-41DHW	41" (1041 mm)	24-1/4" (614 mm)	33-1/2" (851 mm)	12" (305 mm)	10-3/8" (264 mm)	38-1/2" (978 mm)	22-1/2" (572 mm)

♦ Height includes 4" (102 mm) legs attached.

* Optional 15" (381 mm) spacing adds 3" (76 mm) of height to unit.



GRSDS Triple Shelf and GRSDS/H Dimensions

General

Glo-Ray® Merchandising Display Warmers are shipped with most components pre-assembled. Care should be taken when unpacking shipping carton to avoid damage to the unit and components enclosed.

⚠ WARNING

ELECTRIC SHOCK HAZARD: Unit is not weatherproof. Locate unit indoors where ambient air temperature is a minimum of 70°F (21°C).

FIRE HAZARD: Locate unit a minimum of 1" (25 mm) from combustible walls and materials. If safe distances are not maintained, discoloration or combustion could occur.

⚠ CAUTION

The National Sanitation Foundation (NSF) requires that units over 36" (914 mm) in width or weighing more than 80 lbs. (36 kg) either be sealed to or raised above the installation surface. If unit cannot be sealed at the point of use, 4" (102 mm) legs are included to allow for proper cleaning access below unit.

1. Remove the unit from the carton.

NOTE: To prevent delay in obtaining warranty coverage, complete online warranty registration. See the IMPORTANT OWNER INFORMATION section for details.

2. Remove tape and protective packaging from all surfaces of the unit.

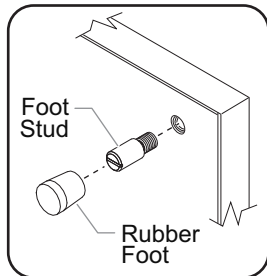
NOTICE

Do not lay unit on the side with the control panel. Damage to unit could occur.

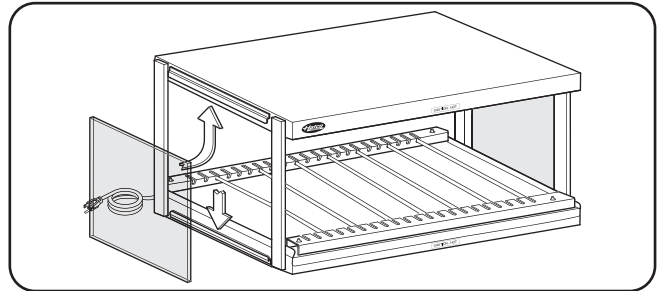
3. Carefully lay the unit on its side and install the four rubber feet.

- Thread a foot stud into the hole at each corner on the bottom of the unit. Tighten securely.
- Slip a rubber foot over each foot stud.

NOTE: If 4" (102 mm) legs are required, refer to the OPTIONS AND ACCESSORIES section in this manual for installation instructions. 4" legs are standard on single shelf models 36" (1041 mm) and wider, all dual shelf models, and all triple shelf models.



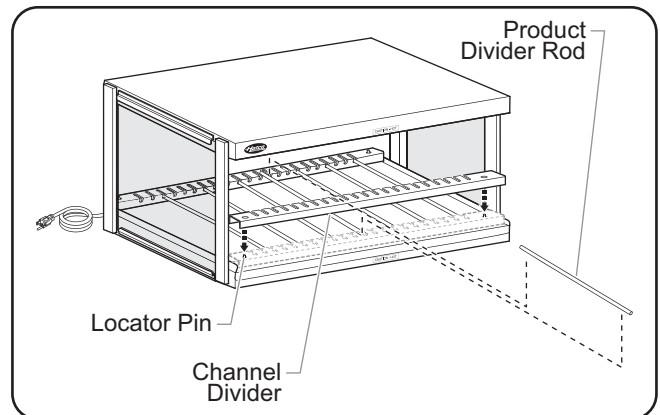
4. Slide each glass side panel into the upper channel, then carefully lower the panel into the lower channel.



Glass Side Panel Installation

5. Install the channel dividers and product divider rods.

- Position the channel dividers onto the locator pins on the front edge and back edge of the unit.
- Place the product divider rods into the channel dividers. The rods can be adjusted easily to separate holding areas as needed.



Installing Product Divider Rods

NOTE: Unit must be transported in the upright position.

6. Place the unit in the desired location.

- Locate the unit in an area where the ambient air temperature is constant and a minimum of 70°F (21°C). Avoid areas that may be subject to active air movements or currents (i.e., near exhaust fans/hoods and air conditioning ducts).
- Make sure the unit is at the proper counter height in an area convenient for use.
- Make sure the countertop is level and strong enough to support the weight of the unit and food product.
- Make sure all the feet on the bottom of the unit are positioned securely on the countertop.

General

Use the following procedures to operate the Merchandising Display Warmers.



WARNING

Read all safety messages in the **IMPORTANT SAFETY INFORMATION** section before operating this equipment.

Do not place food product directly onto hardcoat surface. Food product must be wrapped, boxed, or on a food pan.



NOTICE

Do not slide pans across hardcoat surface, use rough-bottomed pans, or drop anything on hardcoat surface. Scratching may occur. Damage to hardcoat surface caused by misuse is not covered under warranty.

Startup

1. Plug the unit into a properly grounded electrical outlet of the correct voltage, size, and plug configuration. See the SPECIFICATIONS section for details.
2. Move the Power I/O (on/off) switch(es) to the "I" (on) position.
 - The overhead strip heaters and overhead lights will turn on.
 - The heated base(s) will energize.

NOTE: All Power I/O (on/off) switches must be in the "I" (on) position for the heated base(s) to function.

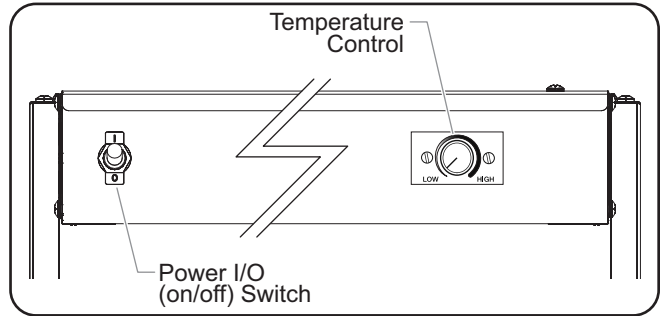


CAUTION

BURN HAZARD: Some exterior surfaces on unit will get hot. Use caution when touching these areas.

3. Turn the Temperature Control(s) to the desired temperature setting between LOW and HIGH. The operating temperature range of the heated base(s) is from room temperature to approximately 185°–200°F (85°–93°C).

- Turning the Temperature Control clockwise will increase the temperature setting. Turning the Temperature Control counterclockwise will decrease the temperature setting.



Controls

NOTE: If the unit is equipped with a Digital Temperature Controller(s) instead of the standard Temperature Control knob(s), see the OPTIONS AND ACCESSORIES section for operation instructions.

4. Allow the unit 30 minutes to reach operating temperature before placing preheated food product.

Shutdown

1. Move the Power I/O (on/off) switch(es) to the "O" (off) position. The overhead strip heaters, overhead lights, and heated base(s) will shut off.

General

Hatco Glo-Ray® Merchandising Display Warmers are designed for maximum durability and performance with minimum maintenance.

WARNING

ELECTRIC SHOCK HAZARD:

- Turn OFF power switch, unplug power cord, and allow unit to cool before performing any cleaning, setup, or maintenance.
- DO NOT submerge or saturate with water. Unit is not waterproof. Do not operate if unit has been submerged or saturated with water.
- Do not steam clean or use excessive water on unit.
- Do not clean unit when it is energized or hot.

This unit has no “user-serviceable” parts. If service is required on this unit, contact an Authorized Hatco Service Agent or contact the Hatco Service Department at 800-558-0607 or 414-671-6350; fax 800-690-2966; or International fax 414-671-3976.

Daily Cleaning

To preserve the finish of the unit as well as maintain performance, it is recommended that the unit be cleaned daily.

NOTICE

IMPORTANT—DO NOT use paper towel or glass cleaner to clean plastic surfaces such as sneeze guards and flip-up doors. Paper towel and glass cleaner may scratch the material. Wipe off plastic surfaces using a soft, clean, water-dampened cloth.

Clean unit daily to avoid malfunctions and maintain sanitary operation.

1. Turn off the unit, unplug the power cord, and allow the unit to cool.
2. Remove and wipe down the product dividers.
3. Wipe down all exterior and interior surfaces using a water-dampened cloth. A non-abrasive cleaner may be used for difficult stains. Hard to reach areas should be cleaned using small brush and mild soap.
4. Clean the glass side panels using a standard glass cleaner.
5. Clean the plastic sneeze guards and flip-up doors (if equipped) using soft cleaning cloths, mild soap, and water, if equipped. **NOTICE: Do not use paper towel or glass cleaner on plastic surfaces — scratching may occur.**

Replacing Display Light Bulbs

WARNING

Use only light bulbs that meet or exceed National Sanitation Foundation (NSF) standards and are specifically designed for food holding areas. Breakage of light bulbs not specially coated could result in personal injury and/or food contamination.

The display light is an incandescent light bulb that illuminates the warming area. The bulb has a special coating to guard against injury and food contamination in the event of breakage.

1. Turn off the unit, unplug the power cord, and allow the unit to cool.
2. Unscrew the light bulb from the unit and replace it with a new, specially-coated incandescent light bulb.

NOTE: Hatco shatter-resistant light bulbs meet NSF standards for food holding and display areas. For 120 and 120/208–240 V applications, use Hatco P/N 02.30.043.00. For 200, 220, 240, 220–230 and 230–240 V applications, use Hatco P/N 02.30.058.00.

NOTE: Shatter-resistant halogen bulbs are available in place of the standard incandescent bulbs. Halogen bulbs have a special coating to guard against injury and food contamination in the event of breakage. For 120 and 120/208–240 V applications, use Hatco P/N 02.30.081.00. For 220, 240, 220–230, and 230–240 V applications use Hatco P/N 02.30.082.00.

WARNING

ELECTRIC SHOCK HAZARD: Use only Genuine Hatco Replacement Parts when service is required. Failure to use Genuine Hatco Replacement Parts will void all warranties and may subject operators of the equipment to hazardous electrical voltage, resulting in electrical shock or burn. Genuine Hatco Replacement Parts are specified to operate safely in the environments in which they are used. Some aftermarket or generic replacement parts do not have the characteristics that will allow them to operate safely in Hatco equipment.

Replacing a Fuse

Use the following procedure to replace a damaged fuse(s).

1. Move the Power I/O (on/off) switch(es) to the “O” (off) position and unplug the power cord. Allow the unit to cool.
2. Locate the fuse box on the control side of the unit.
 - GRSDS models: Fuses located in the control panel.
 - GRSDH models: Fuses located in fuse box on top of unit.
3. Remove the screws to access fuses.
 - GRSDS models: Remove control panel.
 - GRSDH models: Remove cover from fuse box.
4. Remove the damaged fuse(s) and replace with new fuse(s).
5. Reverse the above procedure to reassemble.



This unit must be serviced by qualified personnel only. Service by unqualified personnel may lead to electric shock or burn.



ELECTRIC SHOCK HAZARD: Turn OFF power switch, unplug power cord, and allow unit to cool before performing any cleaning, setup, or maintenance.

Symptom	Probable Cause	Corrective Action
Unit is on, but no lights.	Light bulb defective.	Replace light bulb.
	Blown fuse.	Replace blown fuse. Follow "Replacing a Fuse" procedure in the MAINTENANCE section.
Food cavity not hot enough.	Temperature Control set too low.	Adjust Temperature Control to a higher setting.
	Heating element(s) not working.	Contact Authorized Service Agent or Hatco for assistance.
	Temperature Control not working properly.	Contact Authorized Service Agent or Hatco for assistance.
	Excessive air movement around unit.	Restrict or redirect air movement (i.e., air conditioning duct or exhaust fan) away from unit or install flip-up doors on unit to contain heat and block air flow.
	Unit connected to incorrect power supply.	Contact Authorized Service Agent or Hatco for assistance.
Food cavity too hot.	Temperature Control set too high.	Adjust Temperature Control to a lower setting.
	Temperature Control not working properly.	Contact Authorized Service Agent or Hatco for assistance.
	Unit connected to incorrect power supply.	Contact Authorized Service Agent or Hatco for assistance.
No heat, but light works.	Temperature Control set too low.	Adjust Temperature Control to a higher setting.
	Heating element(s) not working.	Contact Authorized Service Agent or Hatco for assistance.
	Temperature Control not working properly.	Contact Authorized Service Agent or Hatco for assistance.
No heat and no light.	Power turned OFF.	Move Power I/O (on/off) switch(es) to the "I" (on) position.
	Circuit breaker tripped.	Reset circuit breaker. If circuit breaker continues to trip, contact Authorized Service Agent or Hatco for assistance.

Troubleshooting Questions?

If you continue to have problems resolving an issue, please contact the nearest Authorized Hatco Service Agency or Hatco for assistance. To locate the nearest Service Agency, log onto the Hatco website at www.hatcocorp.com and click on *Find Service Agent*, or contact the **Hatco Parts and Service Team** at:

Telephone: 800-558-0607 or 414-671-6350

e-mail: partsandservice@hatcocorp.com

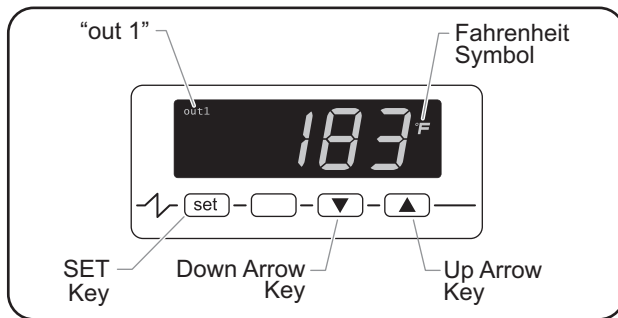
Fax: 800-690-2966 or 414-671-3976

Digital Temperature Controller

Units may be equipped with an optional digital temperature controller that regulates and displays the base temperature(s). Use the following procedures to operate the digital temperature controller.

NOTE: This option is factory installed only, not available for retrofit.

NOTE: Units manufactured for use outside the United States and Canada will have digital temperature controllers that indicate temperature in Celsius (°C).



Digital Temperature Controller

- Move the unit Power I/O (on/off) switch to the "I" (on) position.
 - The digital temperature controller will energize and the current temperature of the heated base(s) will appear on the display. **CAUTION! Some exterior surfaces on the unit will get hot. Use caution when touching these areas.**
 - The phrase "out 1" will appear in the upper left corner of the display to show that the base is in heat mode.
- Press and release the **set** key. The current setpoint temperature will be shown on the display and "out 1" will flash in the upper left corner.
- Press the **▲** key or **▼** key within 15 seconds to change the setpoint temperature. If no key is pressed within 15 seconds, the display will revert to the current temperature of the heated base(s).
- Press the **set** key or wait 15 seconds to lock in the new setpoint temperature. The setpoint temperature range of the controller is from room temperature to the maximum operating temperature of the unit.

Locking/Unlocking the Digital Temperature Controller

The keys on the digital temperature controller can be locked to prevent unauthorized changes to the settings.

To lock the keys of the digital temperature controller:

- Press and hold both the **set** key and **▼** key at the same time for over two seconds. The message "Loc" will appear on the display.

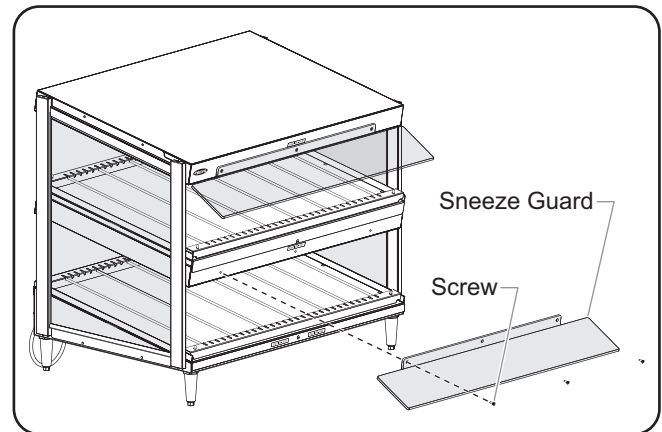
To unlock the keys of the digital temperature controller:

- Press and hold both the **set** key and **▼** key at the same time until the message "UnL" appears on the display.

Sneeze Guards

Optional sneeze guards are available for the all models. GRSDH models can be fitted with sneeze guards above each shelf on both sides of the unit. GRSDS and GRSDS/H models can be fitted with sneeze guards above each shelf on the customer side of the unit only. Use the following procedure to install sneeze guards.

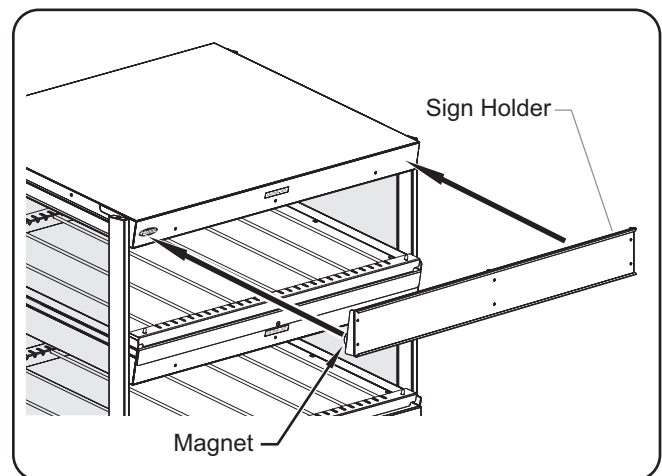
- Remove the screws from the face of the unit that align with the holes in the sneeze guard.
- Align the holes on the sneeze guard with the screw holes on the unit.
- Insert the screws removed in step #1 through the sneeze guard and into the unit.
- Tighten the screws until the sneeze guard is secure. Do not over-tighten the screws.



GRSDS Model Sneeze Guard Installation

Display Sign Holder

A display sign holder (sign not included) is available for installation on the top or intermediate shelf. The sign holder is installed by simply attaching the magnetic side of the sign holder to the desired shelf.



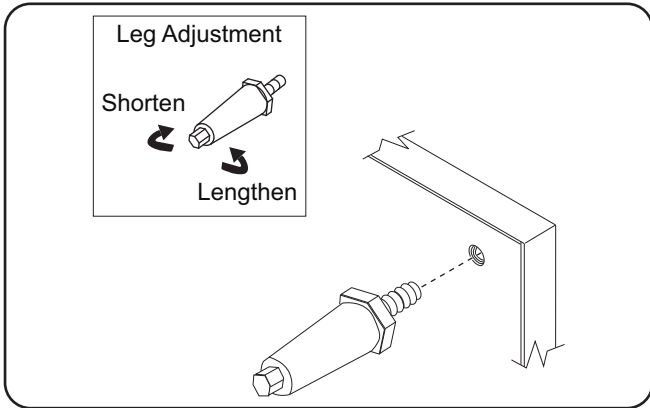
Display Sign Holder

4" (102 mm) Adjustable Legs

NOTICE

Do not lay unit on the side with the control panel or damage to unit could occur.

Carefully lay unit on its side. Install legs to bottom of unit. Hand-tighten legs until snug. Do not over-tighten. Return unit to the upright position.



Leg Installation

NOTE: Legs are adjustable for leveling the unit. Use a 5/8" (16 mm) open-end wrench to make leveling adjustments once the unit is placed in final position.

Stainless Steel End Panels

Stainless steel end panels are factory installed options in place of the glass end panels.

Flip-Up Door Locking Plates

Flip-up door locking plates are factory installed and are available as options for GRSDS-XX, GRSDS-XXD, and GRSDS-XXT models. Flip-up door locking plates allow access to the server side only.

Halogen Display Lights

Optional halogen display light bulbs can be ordered in place of the standard incandescent display light bulbs.

Divider Rods

Additional divider rods are available to help keep product separate in the channels.

Flip-Up Doors

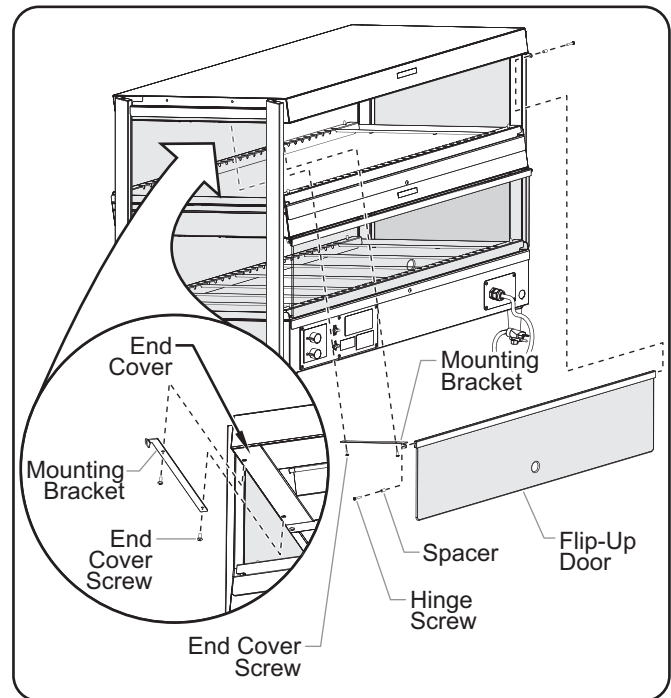
Flip-up doors are available as factory installed options for all models. The doors can be installed to each shelf on either the customer side or operator side of the unit. Use the following procedure to install flip-up doors (the procedure is the same for either side as well as each shelf).

NOTE: Units 52" and larger require 2 doors per shelf and a center mounting bracket.

1. Remove the two screws from the element end cover above the desired shelf on each side of the unit.
2. Align the holes on the mounting brackets with the screw holes on the element end covers of the unit.
3. Insert the screws removed in step 1 through the mounting brackets and into the unit. Tighten securely.

NOTE: For units 52" and larger, a center mounting bracket is required. Remove the screws from the center of the middle or top housing and use them to mount the center mounting bracket.

4. Place a spacer on each hinge screw (both included with door).
5. Align the screw holes at each end of the channel on the flip-up door with the hole on each mounting bracket.
6. Insert a hinge screw with spacer through each mounting bracket and into the flip-up door.
7. Tighten the hinge screws until the flip-up door is secure. Make sure the spacers on the hinge screws go through the holes in the mounting brackets. Do not over-tighten the screws.



Flip-Up Door Installation

1. PRODUCT WARRANTY

Hatco warrants the products that it manufactures (the "Products") to be free from defects in materials and workmanship, under normal use and service, for a period of one (1) year from the date of purchase when installed and maintained in accordance with Hatco's written instructions or 18 months from the date of shipment from Hatco. Buyer must establish the Product's purchase date by registering the Product with Hatco or by other means satisfactory to Hatco in its sole discretion.

Hatco warrants the following Product components to be free from defects in materials and workmanship from the date of purchase (subject to the foregoing conditions) for the period(s) of time and on the conditions listed below:

- a) **One (1) Year Parts and Labor PLUS One (1) Additional Year Parts-Only Warranty:**
 - Conveyor Toaster Elements (metal sheathed)
 - Drawer Warmer Elements (metal sheathed)
 - Drawer Warmer Drawer Rollers and Slides
 - Strip Heater Elements (metal sheathed)
 - Display Warmer Elements (metal sheathed air heating)
 - Holding Cabinet Elements (metal sheathed air heating)
 - Heated Well Elements — HW and HWB Series (metal sheathed)
- b) **One (1) Year Parts and Labor PLUS Four (4) Years Parts-Only Warranty:**
 - 3CS and FR Tanks
- c) **One (1) Year Parts and Labor PLUS Nine (9) Years Parts-Only Warranty on:**
 - Electric Booster Heater Tanks
 - Gas Booster Heater Tanks
- d) **Ninety (90) Day Parts-Only Warranty:**
 - Replacement Parts

THE FOREGOING WARRANTIES ARE EXCLUSIVE AND IN LIEU OF ANY OTHER WARRANTY, EXPRESSED OR IMPLIED, INCLUDING BUT NOT LIMITED TO ANY IMPLIED WARRANTY OF MERCHANTABILITY OR FITNESS FOR A PARTICULAR PURPOSE OR PATENT OR OTHER INTELLECTUAL PROPERTY RIGHT INFRINGEMENT. Without limiting the generality of the foregoing, SUCH WARRANTIES DO NOT COVER: Coated incandescent light bulbs, fluorescent lights, heat lamp bulbs, coated halogen light bulbs, halogen heat lamp bulbs, xenon light bulbs, LED light tubes, glass components, and fuses; Product failure in booster tank, fin tube heat exchanger, or other water heating equipment caused by liming, sediment buildup, chemical attack, or freezing; or Product misuse, tampering or misapplication, improper installation, or application of improper voltage.

2. LIMITATION OF REMEDIES AND DAMAGES

Hatco's liability and Buyer's exclusive remedy hereunder will be limited solely, at Hatco's option, to repair or replacement using new or refurbished parts or Product by Hatco or a Hatco-authorized service agency (other than where Buyer is located outside of the United States, Canada, United Kingdom, or Australia, in which case Hatco's liability and Buyer's exclusive remedy hereunder will be limited solely to replacement of part under warranty) with respect to any claim made within the applicable warranty period referred to above. Hatco reserves the right to accept or reject any such claim in whole or in part. In the context of this Limited Warranty, "refurbished" means a part or Product that has been returned to its original specifications by Hatco or a Hatco-authorized service agency. Hatco will not accept the return of any Product without prior written approval from Hatco, and all such approved returns shall be made at Buyer's sole expense. HATCO WILL NOT BE LIABLE, UNDER ANY CIRCUMSTANCES, FOR CONSEQUENTIAL OR INCIDENTAL DAMAGES, INCLUDING BUT NOT LIMITED TO LABOR COSTS OR LOST PROFITS RESULTING FROM THE USE OF OR INABILITY TO USE THE PRODUCTS OR FROM THE PRODUCTS BEING INCORPORATED IN OR BECOMING A COMPONENT OF ANY OTHER PRODUCT OR GOODS.

Informations Importantes pour le Propriétaire	20	Installation	31
Introduction	20	Généralités	31
Consignes de Sécurité Importantes	21	Mode d'emploi	32
Description du Modèle	22	Généralités	32
Tous les modèles	22	Maintenance	33
Modèles GRSDH	22	Généralités	33
Modèles GRSDS	22	Nettoyage quotidien	33
Modèles GRSDS/H	22	Remplacement du tube d'éclairage	33
Désignation du Modèle	22	Remplacement d'un fusible	33
Caractéristiques Techniques	23	Guide de Dépannage	34
Configuration des fiches	22	Options et accessoires	35
Tableau des valeurs nominales électriques	22	Garantie Limitée	37
Dimensions — Modèles GRSDH	28		
Dimensions — Modèles GRSDS	29		
Dimensions — Modèles GRSDS/H	30		

INFORMATIONS IMPORTANTES POUR LE PROPRIÉTAIRE

Notez le numéro de modèle, le numéro de série, la tension et la date d'achat de l'appareil dans les espaces ci-dessous (étiquette de spécification située sur le côté de l'appareil). Veuillez avoir cette information à portée de la main si vous appelez Hatco pour assistance.

Modèle No. _____

Numéro de série _____

Voltage _____

Date d'achat _____

Enregistrez votre appareil!

Remplissez la garantie en ligne pour éviter les retards pour faire jouer la garantie. Accédez au site Web Hatco : www.hatcocorp.com, sélectionnez le menu déroulant Parts & Service, puis cliquez sur Warranty Registration.

Horaires

ouvrables: 8h00 à 17h00
 Heure du Centre des États-Unis (CST)
 (Horaires d'été : juin à septembre—
 8h00 à 17h00 CST du lundi au jeudi
 8h00 à 14h30 CST le vendredi)

Téléphone : 800-558-0607; 414-671-6350

Courriel : partsandservice@hatcocorp.com

Télécopieur : 800-690-2966 (Pièces et Service après-vente)
 414-671-3976 (International)



Service d'assistance et de pièces de rechange disponible 7j/7, 24h/24 aux États-Unis et au Canada en composant le 800-558-0607.

Des renseignements supplémentaires sont disponibles sur notre site Web à www.hatcocorp.com.

INTRODUCTION

Le présentoir chauffant /présentoir Glo-Ray® de Hatco sont parfait pour l'attente des sandwichs enveloppés ou des pizza emballées sur une ligne de buffet ou dans une région de service temporaire. Ces présentoirs chauffants contiennent les produits emballés chauds et les maintiennent à une température de service optimale sans affecter leur qualité. Une chaleur infrarouge venant du sommet et une base chauffante thermoscope étendent les périodes d'attente de la plupart des aliments emballés. Les éléments chauffants infrarouge sont garantis contre toute rupture et panne électrique pour une période de deux ans. Ces appareils possèdent également des lampes à incandescence et un cordon l'alimentation muni d'une fiche.

Les présentoirs chauffants Glo-Ray sont le produit de recherches intensives et de tests sur le terrain. Les matériaux utilisés ont été sélectionnés pour une durabilité maximale, une apparence attractive et des performances optimales. Chaque unité est soigneusement inspectée et testée avant expédition.

Ce manuel fournit des instructions d'installation, de sécurité et de fonctionnement pour les présentoirs chauffants Glo-Ray. Hatco vous recommande de lire l'ensemble des instructions d'installation, de sécurité et de fonctionnement contenues dans ce manuel avant d'installer et d'utiliser l'appareil.

Les consignes de sécurité qui apparaissent dans ce manuel sont identifiées par les mots indicateurs suivants :

AVERTISSEMENT

AVERTISSEMENT indique une situation dangereuse qui, si elle n'est pas évitée, peut provoquer la mort ou des blessures graves.

ATTENTION

ATTENTION indique une situation dangereuse qui, si elle n'est pas évitée, peut provoquer des blessures légères ou moyennes.

AVIS

AVIS est utilisé pour des questions sans rapport avec des blessures corporelles.



Lisez l'information de sécurité importante suivante avant d'utiliser cet équipement pour éviter des dommages ou la mort sérieux et pour éviter d'endommager l'équipement ou la propriété.

AVERTISSEMENT

DANGER DE DÉCHARGE ÉLECTRIQUE :

- Brancher l'appareil sur une prise de courant avec terre de tension, de format et de configuration des broches corrects. Si la fiche et la prise ne se correspondent pas, s'adresser à un électricien qualifié pour déterminer et installer une prise de courant de format et de tension corrects.
- Les unités livrées sans fiche électrique requièrent l'installation d'une fiche adéquate. Cette prise doit être mise à la terre et sa dimension, son voltage ainsi que sa configuration doivent correspondre aux spécifications de l'unité. Faites appel à un électricien qualifié pour déterminer et installer une fiche électrique adéquate.
- Mettez l'unité hors tension depuis l'interrupteur, débranchez le cordon d'alimentation et laissez l'unité refroidir avant d'effectuer tout nettoyage, tout réglage ou tout entretien.
- NE PAS immerger l'appareil ni le saturer d'eau. L'appareil n'est pas étanche à l'eau. Ne pas le faire fonctionner s'il a été immergé ou saturé d'eau.
- L'appareil n'est pas à l'épreuve des intempéries. Placer l'appareil à l'intérieur à une température ambiante de 21°C (70°F) minimum.
- Ne tirez pas l'unité par le cordon d'alimentation.
- Interrompez l'utilisation de l'unité si le cordon d'alimentation est effiloché ou usé.
- N'essayez jamais de réparer ou de remplacer un cordon d'alimentation. Celui-ci devra être remplacé par Hatco, un agent de service agréé par Hatco ou une personne possédant des qualifications similaires.
- Ne pas nettoyer à la vapeur ni utiliser trop d'eau sur l'appareil.
- Cet appareil n'est pas étanche aux jets. Ne pas utiliser de jet sous pression pour nettoyer l'appareil.
- Ne pas nettoyer l'appareil lorsqu'il est sous tension.
- Cet appareil doit uniquement être réparé par un personnel qualifié. Toute réparation par un personnel non qualifié peut entraîner une électrocution et des brûlures.
- Pour les réparations, utiliser exclusivement des pièces de rechange Hatco d'origine. Utilisez des pièces détachées Hatco authentiques sous peine d'annuler toutes les garanties et d'exposer l'utilisateur à des tensions électriques dangereuses pouvant entraîner une électrocution ou des brûlures. Les pièces de rechange Hatco d'origine sont conçues pour fonctionner sans danger dans les environnements dans lesquels elles sont utilisées. Certaines pièces de rechange génériques ou de second marché ne présentent pas les caractéristiques leur permettant de fonctionner sans danger dans la matériel Hatco.

DANGER D'INCENDIE : Placez l'unité à au moins 25 mm (1") des murs combustibles et des produits. Si les distances de sécurité ne sont pas respectées, une décoloration ou combustion peut avoir lieu.

N'utiliser que des ampoules électriques qui correspondent ou qui surpassent les standards de la Fondation Nationale des Affaires Sanitaires (NSF) et qui sont spécifiquement conçus pour les espaces de conservation des aliments. La casse d'ampoules électriques non enduites de manière spécifique pourrait entraîner des lésions corporelles et/ou une contamination des aliments.

AVERTISSEMENT

Cet appareil ne doit pas être utilisé par des enfants ou des personnes avec des capacités physiques, sensorielles ou mentales diminuées. Assurez-vous que les enfants sont bien surveillés et tenez-les à l'écart de l'appareil.

Assurez-vous que tous les opérateurs ont été formés à l'utilisation sûre et correcte de l'appareil.

S'assurer que le produit alimentaire a été chauffé à une température adaptée au maintien de sa salubrité avant de le mettre dans l'appareil sous peine de risques graves pour la santé. Cet appareil est destiné au maintien au chaud de produits alimentaires préchauffés uniquement.

Ne placez aucun produit alimentaire directement sur une surface à revêtement dur. Les produits alimentaires doivent être emballés, placés dans une boîte ou dans un bac alimentaire.

Cet appareil ne contient aucune pièce réparable par l'utilisateur. Si cet appareil doit être réparé, contacter un réparateur Hatco agréé ou le Service après-vente Hatco au 800-558-0607 ou 414-671-6350 ; télécopieur 800-690-2966; télécopieur internationale 414-671-3976.

ATTENTION

DANGER DE BRÛLURE : Certaines surfaces extérieures de l'appareil deviennent chaudes. Toucher ces zones de l'appareil avec précaution.

Placez l'unité à une hauteur adaptée au comptoir, à un emplacement pratique à utiliser. L'emplacement doit être plan pour éviter que l'unité ou son contenu ne tombe accidentellement, et suffisamment solide pour supporter le poids de l'unité et de son contenu.

La National Sanitation Foundation (NSF) exige que les appareils mesurant plus de 914 mm (36") de largeur et pesant plus de 36 kg (80 lbs.) soient hermétiquement fixés ou rehaussés sur la surface d'installation. Si l'unité ne peut pas être fixée à l'endroit d'utilisation, des pieds de 102 mm (4") sont fournis pour permettre le nettoyage du dessous de l'unité.

AVIS

Ne couchez pas l'unité sur le côté comportant le panneau de commande. L'unité pourrait être endommagée.

Utilisez uniquement des nettoyeurs non abrasifs et des chiffons doux. Les chiffons et nettoyeur abrasifs pourraient rayer la finition de l'unité, altérant son apparence et la rendant vulnérable à l'accumulation de saleté. Utilisation de matériaux abrasifs annulera la garantie.

IMPORTANT—N'UTILISEZ JAMAIS une serviette en papier ou un nettoyeur pour vitres sur les surfaces en plastique telles que les pare-haleine ou les capots rabattables. Les serviettes en papier et le nettoyeur pour vitres peuvent rayer l'équipement. Essayez les surfaces plastique à l'aide d'un chiffon doux, propre et humide.

Ne faites pas glisser de casseroles sur les surfaces à revêtement dur, n'utilisez pas de casseroles avec revêtement à fond dur et ne laissez rien tomber sur les surfaces à couche dure. Cela pourrait rayer votre équipement. Les dommages causés sur les surfaces à revêtement dur dus à une mauvaise utilisation ne sont pas couverts par la garantie.

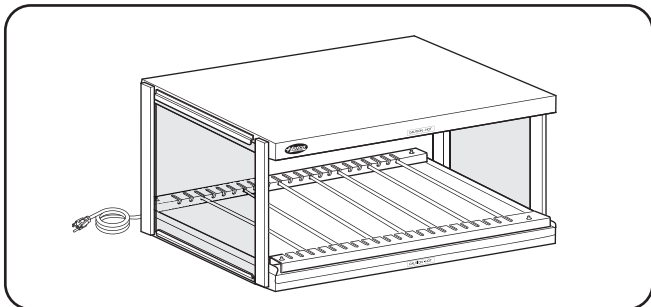
Nettoyez l'unité quotidiennement pour éviter les dysfonctionnements et assurer un fonctionnement sain.

Tous les Modèles

Tous les présentoirs chauffants Hatco Glo-Ray® sont fabriqués en aluminium, acier inoxydable et acier zingué. Les accessoires comprennent des panneaux latéraux en verre trempé, une base chauffante réglable par thermostat, des éléments chauffants supérieurs à infrarouges, des lumières à incandescence, des barres de séparation des produits, des pieds, ainsi qu'un jeu comprenant un cordon d'alimentation et une fiche. La plage de température de service est comprise entre la température ambiante et 85°C–93°C (185°–200°F).

Modèles GRSDH

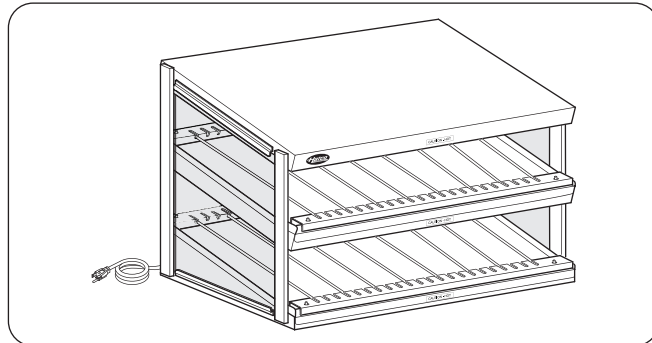
Les modèles GRSDH sont des présentoirs chauffants à rayonnages horizontaux conçus pour contenir des produits enveloppés. Ces modèles peuvent être commandés dans différentes largeurs, de 610 à 1524 mm (de 24" à 60"), et sont disponibles avec un rayonnage simple ou double.



Modèle GRSDH — Rayonnage Simple

Modèles GRSDS

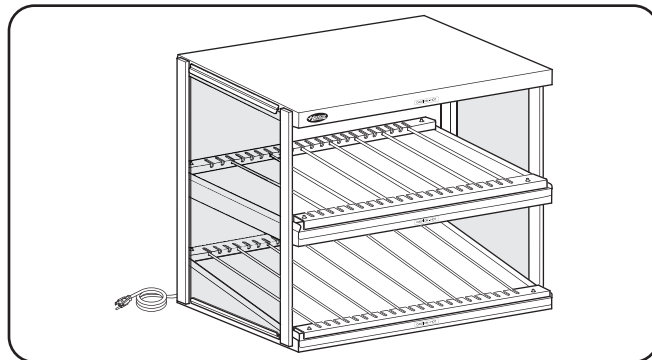
Les modèles GRSDS sont des présentoirs chauffants à rayonnages inclinés conçus pour contenir des produits enveloppés. Ces rayonnages sont inclinés pour le côté pratique de la restauration self-service. Ces modèles peuvent être commandés dans différentes largeurs, de 610 à 1524 mm (de 24" à 60"), et sont disponibles avec un rayonnage simple ou double. Les unités 610 mm (24") et 914 mm (36") sont disponibles en modèles à rayonnage triple.



Modèle GRSDS — Rayonnage Double

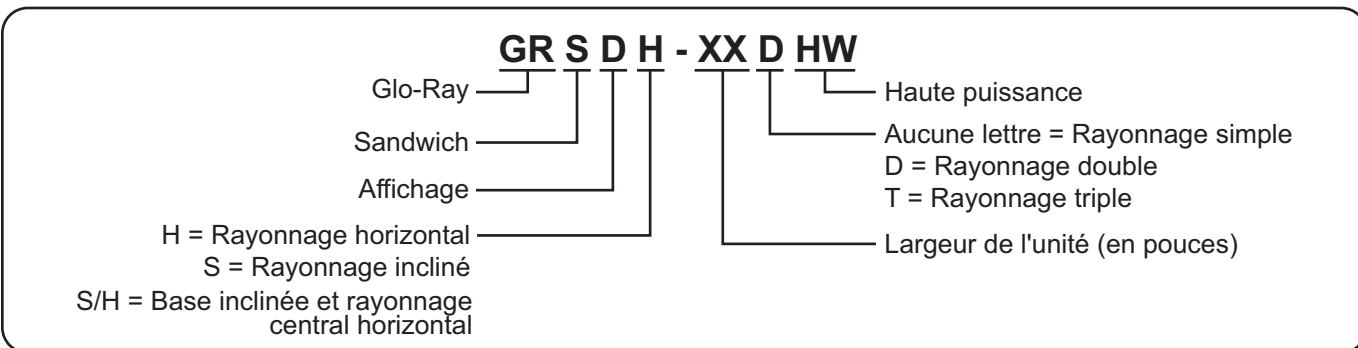
Modèles GRSDS/H

Les modèles GRSDS/H sont des unités à rayonnage double comprenant un rayonnage incliné et un rayonnage horizontal. Ces modèles peuvent être commandés dans différentes largeurs, 762 mm (30"), 914 mm (36"), ou 1041 mm (41"). Une puissance en watts plus élevée est disponible en option pour le rayonnage supérieur. Les modèles GRSDS/H sont idéaux pour contenir du popcorn sur le rayonnage horizontal supérieur et des nachos, des pizzas en boîte ou des produits emballés sur le rayonnage incliné inférieur.



Modèle GRSDS/H Model — Rayonnage Double

DÉSIGNATION DU MODÈLE

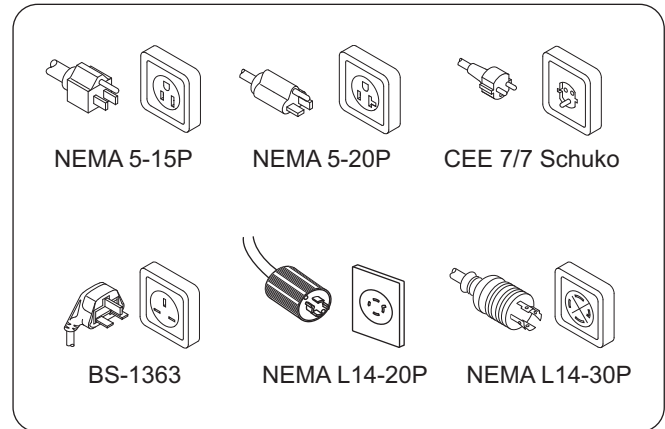


Configuration des fiches

Les unités sont livrées avec un cordon d'alimentation et une fiche installés (les fiches fournies varient selon les applications). Certaines unités exportées à l'international peuvent nécessiter l'installation d'une prise appropriée.

⚠ AVERTISSEMENT

DANGER DE DÉCHARGE ÉLECTRIQUE: Brancher l'appareil sur une prise de courant avec terre de tension, de format et de configuration des broches corrects. Si la fiche et la prise ne se correspondent pas, s'adresser à un électricien qualifié pour déterminer et installer une prise de courant de format et de tension corrects.



Configuration des fiches

NOTA: Prise non fournie par Hatco.

Tableau des valeurs nominales électriques — Modèles GRSDH, Rayonnement Simple

Modèle	Tension	Intensité	Amps	Configuration de Fiches	Poids d'embarquement
GRSDH-24	120	830	6.9	NEMA 5-15P	23 kg (51 lbs.)
GRSDH-30	120	970	8.1	NEMA 5-15P	26 kg (58 lbs.)
	200	940	4.7	CEE 7/7 Schuko	26 kg (58 lbs.)
	220	890	4.0	CEE 7/7 Schuko	26 kg (58 lbs.)
	240	1060	4.4	BS-1363	26 kg (58 lbs.)
	220–230 (CE)	890–974	4.0–4.2	CEE 7/7 Schuko	26 kg (58 lbs.)
	230–240 (CE)	974–1060	4.2–4.4	BS-1363	26 kg (58 lbs.)
GRSDH-36	120	1170	9.8	NEMA 5-15P	30 kg (66 lbs.)
	220	1074	4.9	CEE 7/7 Schuko	30 kg (66 lbs.)
	240	1278	5.3	BS-1363	30 kg (66 lbs.)
	220–230 (CE)	1074–1174	4.9–5.1	CEE 7/7 Schuko	30 kg (66 lbs.)
	230–240 (CE)	1174–1278	5.1–5.3	BS-1363	30 kg (66 lbs.)
GRSDH-41	120	1340	11.2	NEMA 5-15P	34 kg (74 lbs.)
	200	1180	5.9	No Plug	34 kg (74 lbs.)
	220	1228	5.6	CEE 7/7 Schuko	34 kg (74 lbs.)
	240	1464	6.1	BS-1363	34 kg (74 lbs.)
	220–230 (CE)	1228–1343	5.6–5.8	CEE 7/7 Schuko	34 kg (74 lbs.)
	230–240 (CE)	1343–1464	5.8–6.1	BS-1363	34 kg (74 lbs.)
GRSDH-52	120	1760	14.7	NEMA 5-15P *	39 kg (86 lbs.)
	220	1604	7.3	CEE 7/7 Schuko	39 kg (86 lbs.)
	240	1912	8.0	BS-1363	39 kg (86 lbs.)
	220–230 (CE)	1604–1754	7.3–7.6	CEE 7/7 Schuko	39 kg (86 lbs.)
	230–240 (CE)	1754–1912	7.6–8.0	BS-1363	39 kg (86 lbs.)
GRSDH-60	120/208–240	2100	15.0	NEMA L14-20P	90 kg (198 lbs.)
	220	1830	8.3	CEE 7/7 Schuko	90 kg (198 lbs.)
	240	2180	9.1	BS-1363	90 kg (198 lbs.)
	220–230 (CE)	1830–2001	8.3–8.7	CEE 7/7 Schuko	90 kg (198 lbs.)
	230–240 (CE)	2001–2180	8.7–9.1	BS-1363	90 kg (198 lbs.)

Les zones ombrées contiennent des informations électriques pour les modèles internationaux uniquement.

* NEMA 5-20P pour le Canada.

Tableau des valeurs nominales électriques — Modèles GRSDH, Rayonnement Double

Modèle	Tension	Intensité	Amps	Configuration de Fiches	Poids d'embarquement
GRSDH-24D	120	1660	13.8	NEMA 5-15P	41 kg (90 lbs.)
GRSDH-30D	120	1920	16.0	NEMA 5-20P	45 kg (100 lbs.)
	220	1780	8.1	CEE 7/7 Schuko	45 kg (100 lbs.)
	240	2120	8.8	BS-1363	45 kg (100 lbs.)
	220-230 (CE)	1780-1948	8.1-8.5	CEE 7/7 Schuko	45 kg (100 lbs.)
	230-240 (CE)	1948-2120	8.5-8.8	BS-1363	45 kg (100 lbs.)
GRSDH-36D	120†	1170/1170	9.8/9.8	NEMA 5-15P ‡	51 kg (112 lbs.)
	120/208-240	2340	9.8	NEMA L14-20P	51 kg (112 lbs.)
	220	2148	9.8	CEE 7/7 Schuko	51 kg (112 lbs.)
	240	2556	10.7	BS-1363	51 kg (112 lbs.)
	220-230 (CE)	2148-2348	9.8-10.2	CEE 7/7 Schuko	51 kg (112 lbs.)
	230-240 (CE)	2348-2556	10.2-10.7	BS-1363	51 kg (112 lbs.)
GRSDH-41D	120†	1340/1340	11.2/11.2	NEMA 5-15P ‡	57 kg (126 lbs.)
	120/208-240	2680	11.2	NEMA L14-20P	57 kg (126 lbs.)
	220	2456	11.2	CEE 7/7 Schuko	57 kg (126 lbs.)
	240	2928	12.2	BS-1363	57 kg (126 lbs.)
	220-230 (CE)	2456-2686	11.2-11.7	CEE 7/7 Schuko	57 kg (126 lbs.)
	230-240 (CE)	2686-2928	11.7-12.2	BS-1363	57 kg (126 lbs.)
GRSDH-52D	120†	1760/1760	14.7/14.7	NEMA 5-15P ‡	68 kg (150 lbs.)
	120/208-240	3520	14.7	NEMA L14-20P	68 kg (150 lbs.)
	220	3208	14.6	CEE 7/7 Schuko	68 kg (150 lbs.)
	240	3824	15.9	Sans fiche	68 kg (150 lbs.)
	220-230 (CE)	3208-3508	14.6-15.3	CEE 7/7 Schuko	68 kg (150 lbs.)
	230-240 (CE)	3508-3824	15.3-15.9	Sans fiche	68 kg (150 lbs.)
GRSDH-60D	120/208-240	4200	17.5	NEMA L14-20P Δ	122 kg (268 lbs.)
	220	3660	16.6	Sans fiche	122 kg (268 lbs.)
	240	4360	18.2	Sans fiche	122 kg (268 lbs.)
	220-230 (CE)	3660-4002	16.6-17.4	Sans fiche	122 kg (268 lbs.)
	230-240 (CE)	4002-4360	17.4-18.2	Sans fiche	122 kg (268 lbs.)

Les zones ombrées contiennent des informations électriques pour **les modèles internationaux uniquement**.

* NEMA 5-20P pour le Canada.

† Non disponible pour le Canada.

‡ Les unités sont livrées équipées de deux jeux de cordons d'alimentation et de fiches nécessitant deux circuits électriques 15 A indépendants. Les valeurs s'appliquent à chacun des circuits.

Δ NEMA L14-30P pour le Canada.

Tableau des valeurs nominales électriques — Modèles GRSDS, Rayonnage Simple Incliné

Modèle	Tension	Intensité	Amps	Configuration de Fiches	Poids d'embarquement
GRSDS-24	120	695	5.8	NEMA 5-15P	33 kg (72 lbs.)
	220	629	2.9	CEE 7/7 Schuko	33 kg (72 lbs.)
	240	749	3.1	BS-1363	33 kg (72 lbs.)
	220–230 (CE)	629–688	2.9–3.0	CEE 7/7 Schuko	33 kg (72 lbs.)
	230–240 (CE)	688–749	3.0–3.1	BS-1363	33 kg (72 lbs.)
GRSDS-24HW	120	1165	9.7	NEMA 5-15P	33 kg (72 lbs.)
GRSDS-30	120	790	6.6	NEMA 5-15P	36 kg (80 lbs.)
	220	730	3.3	CEE 7/7 Schuko	36 kg (80 lbs.)
	240	862	3.6	BS-1363	36 kg (80 lbs.)
	220–230 (CE)	730–799	3.3–3.5	CEE 7/7 Schuko	36 kg (80 lbs.)
	230–240 (CE)	799–870	3.5–3.6	BS-1363	36 kg (80 lbs.)
GRSDS-30HW	120	1450	12.1	NEMA 5-15P *	36 kg (80 lbs.)
GRSDS-36	120	935	7.8	NEMA 5-15P	42 kg (92 lbs.)
	220	864	3.9	CEE 7/7 Schuko	42 kg (92 lbs.)
	240	1030	4.3	BS-1363	42 kg (92 lbs.)
	220–230 (CE)	865–946	3.9–4.1	CEE 7/7 Schuko	42 kg (92 lbs.)
	230–240 (CE)	946–1030	4.1–4.3	BS-1363	42 kg (92 lbs.)
GRSDS-36HW	120	1775	14.8	NEMA 5-15P *	42 kg (92 lbs.)
GRSDS-41	120	1090	9.1	NEMA 5-15P	44 kg (96 lbs.)
	200	1062	5.3	No Plug	44 kg (96 lbs.)
	220	1003	4.6	CEE 7/7 Schuko	44 kg (96 lbs.)
	240	1195	5.0	BS-1363	44 kg (96 lbs.)
	220–230 (CE)	1003–1097	4.6–4.8	CEE 7/7 Schuko	44 kg (96 lbs.)
	230–240 (CE)	1097–1195	4.8–5.0	BS-1363	44 kg (96 lbs.)
GRSDS-41HW	120†	2070	17.3	NEMA 5-20P	44 kg (96 lbs.)
GRSDS-52	120	1400	11.7	NEMA 5-15P	46 kg (102 lbs.)
	220	1275	5.8	CEE 7/7 Schuko	46 kg (102 lbs.)
	240	1520	6.3	BS-1363	46 kg (102 lbs.)
	220–230 (CE)	1275–1396	5.8–6.1	CEE 7/7 Schuko	46 kg (102 lbs.)
	230–240 (CE)	1396–1520	6.1–6.3	BS-1363	46 kg (102 lbs.)
GRSDS-52HW	120/208–240	2710	14.8	NEMA L14-20P	46 kg (102 lbs.)
GRSDS-60	120	1715	14.3	NEMA 5-15P *	49 kg (108 lbs.)
	220	1665	7.6	CEE 7/7 Schuko	49 kg (108 lbs.)
	240	1715	7.2	BS-1363	49 kg (108 lbs.)
	220–230 (CE)	1665–1820	7.6–7.9	CEE 7/7 Schuko	49 kg (108 lbs.)
	230–240 (CE)	1575–1715	6.8–7.2	BS-1363	49 kg (108 lbs.)

Les zones ombrées contiennent des informations électriques pour **les modèles internationaux uniquement**.

† Non disponible pour le Canada.

* NEMA 5-20P pour le Canada.

Tableau des valeurs nominales électriques — Modèles GRSDS, Rayonnage Double Incliné

Modèle	Tension	Intensité	Amps	Configuration de Fiches	Poids d'embarquement
GRSDS-24D	120	1355	11.3	NEMA 5-15P	58 kg (128 lbs.)
	220	1352	6.1	CEE 7/7 Schuko	58 kg (128 lbs.)
	240	1611	6.7	BS-1363	58 kg (128 lbs.)
	220-230 (CE)	1352-1479	6.1-6.4	CEE 7/7 Schuko	58 kg (128 lbs.)
	230-240 (CE)	1479-1611	6.4-6.7	BS-1363	58 kg (128 lbs.)
GRSDS-24DHW	120†	1165/1125	9.7/9.4	NEMA 5-15P ‡	58 kg (128 lbs.)
	120/208-240	2290	9.7	NEMA L14-20P	58 kg (128 lbs.)
	220-230 (CE)	1973-2156	9.0-9.4	CEE 7/7 Schuko	58 kg (128 lbs.)
	230-240 (CE)	2156-2348	9.4-9.8	BS-1363	58 kg (128 lbs.)
GRSDS-30D	120	1530	12.8	NEMA 5-15P *	64 kg (140 lbs.)
	220	1419	6.5	CEE 7/7 Schuko	64 kg (140 lbs.)
	240	1690	7.0	BS-1363	64 kg (140 lbs.)
	220-230 (CE)	1419-1552	6.5-6.8	CEE 7/7 Schuko	64 kg (140 lbs.)
	230-240 (CE)	1552-1690	6.8-7.0	BS-1363	64 kg (140 lbs.)
GRSDS-30DHW	120†	1400/1450	11.7/12.1	NEMA 5-15P ‡	64 kg (140 lbs.)
	120/208-240	2850	12.1	NEMA L14-20P	64 kg (140 lbs.)
	220	2743	12.5	CEE 7/7 Schuko	64 kg (140 lbs.)
	240	2922	12.2	BS-1363	64 kg (140 lbs.)
GRSDS-36D	120	1810	15.1	NEMA 5-20P	72 kg (158 lbs.)
	220	1669	7.6	CEE 7/7 Schuko	72 kg (158 lbs.)
	240	1990	8.3	BS-1363	72 kg (158 lbs.)
	220-230 (CE)	1670-1827	7.6-7.9	CEE 7/7 Schuko	72 kg (158 lbs.)
	230-240 (CE)	1827-1990	7.9-8.3	BS-1363	72 kg (158 lbs.)
GRSDS-36DHW	120†	1715/1775	14.3/14.8	NEMA 5-15P ‡	72 kg (158 lbs.)
	120/208-240	3490	14.8	NEMA L14-20P	72 kg (158 lbs.)
	220-230 (CE)	3003-3283	13.7-14.3	CEE 7/7 Schuko	72 kg (158 lbs.)
	230-240 (CE)	3283-3574	14.3-14.9	No Plug	72 kg (158 lbs.)
GRSDS-41D	120†	1090/1030	9.1/8.6	NEMA 5-15P ‡	81 kg (178 lbs.)
	120/208-240	2120	9.1	NEMA L14-20P	81 kg (178 lbs.)
	200	2098	10.5	Sans fiche	81 kg (178 lbs.)
	220	1951	8.9	CEE 7/7 Schuko	81 kg (178 lbs.)
	240	2325	9.7	BS-1363	81 kg (178 lbs.)
	220-230 (CE)	1951-2135	8.9-9.3	CEE 7/7 Schuko	81 kg (178 lbs.)
	230-240 (CE)	2135-2325	9.3-9.7	BS-1363	81 kg (178 lbs.)
GRSDS-41DHW	120†	2010/2070	16.8/17.3	NEMA 5-20P ♦	81 kg (178 lbs.)
	120/208-240	4080	17.3	NEMA L14-20P Δ	81 kg (178 lbs.)
	220-230 (CE)	3477-3800	15.8-16.5	Sans fiche	81 kg (178 lbs.)
	230-240 (CE)	3800-4137	16.5-17.2	Sans fiche	81 kg (178 lbs.)

Les zones ombrées contiennent des informations électriques pour **les modèles internationaux uniquement**.

† Non disponible pour le Canada.

* NEMA 5-20P pour le Canada.

‡ Les unités sont livrées équipées de deux jeux de cordons d'alimentation et de fiches nécessitant deux circuits électriques 15 A indépendants. Les valeurs s'appliquent à chacun des circuits.

♦ Les unités sont livrées équipées de deux jeux de cordons d'alimentation et de fiches, nécessitant deux circuits électriques 20 A indépendants. Les valeurs s'appliquent à chacun des circuits.

Δ NEMA L14-30P for Canada.

NOTA: Les unités haute puissance disposent d'un chauffage supérieur haute puissance uniquement sur le rayonnage supérieur.

**Tableau des valeurs nominales électriques —
Modèles GRSDS, Rayonnage Double Incliné (suite)**

Modèle	Tension	Intensité	Amps	Configuration de Fiches	Poids d'embarquement
GRSDS-52D	120†	1400/1325	11.7/11.0	NEMA 5-15P ‡	93 kg (205 lbs.)
	120/208–240	2725	11.7	NEMA L14-20P	93 kg (205 lbs.)
	220	2483	11.3	CEE 7/7 Schuko	93 kg (205 lbs.)
	240	2960	12.3	BS-1363	93 kg (205 lbs.)
	220–230 (CE)	2485–2718	11.3–11.8	CEE 7/7 Schuko	93 kg (205 lbs.)
	230–240 (CE)	2718–2960	11.8–12.3	BS-1363	93 kg (205 lbs.)
GRSDS-52DHW	120/208–240	5340	22.6	NEMA L14-30P	93 kg (205 lbs.)
GRSDS-60D	120/208–240	3340	14.3	NEMA L14-20P	108 kg (238 lbs.)
	220	3240	14.7	CEE 7/7 Schuko	108 kg (238 lbs.)
	240	3340	13.9	Sans fiche	108 kg (238 lbs.)
	220–230 (CE)	3240–3541	14.7–15.4	CEE 7/7 Schuko	108 kg (238 lbs.)
	230–240 (CE)	3067–3340	13.3–13.9	Sans fiche	108 kg (238 lbs.)

Tableau des valeurs nominales électriques — Modèles GRSDS, Rayonnage Triple Incliné

Modèle	Tension	Intensité	Amps	Configuration de Fiches	Poids d'embarquement
GRSDS-24T	120†	2015	16.8	NEMA 5-20P	83 kg (183 lbs.)
GRSDS-36T	120/208–240	2685	14.6	NEMA L14-20P	120 kg (225 lbs.)

**Tableau des valeurs nominales électriques —
Modèles GRSDS/H, Rayonnage Double Horizontal/Incliné**

Modèle	Tension	Intensité	Amps	Configuration de Fiches	Poids d'embarquement
GRSDS/H-30D	120	1530	12.8	NEMA 5-15P *	64 kg (140 lbs.)
	220	1420	6.5	CEE 7/7 Schuko	64 kg (140 lbs.)
	240	1690	7.0	BS-1363	64 kg (140 lbs.)
	220–230 (CE)	1420–1552	6.5–6.8	CEE 7/7 Schuko	64 kg (140 lbs.)
	230–240 (CE)	1552–1690	6.8–7.0	BS-1363	64 kg (140 lbs.)
GRSDS/H-30DHW	120/208–240	2450	13.8	NEMA L14-20P	64 kg (140 lbs.)
GRSDS/H-36D	120	1810	15.1	NEMA 5-20P	72 kg (158 lbs.)
	220	1669	7.6	CEE 7/7 Schuko	72 kg (158 lbs.)
	240	1990	8.3	BS-1363	72 kg (158 lbs.)
	220–230 (CE)	1669–1824	7.6–7.9	CEE 7/7 Schuko	72 kg (158 lbs.)
	230–240 (CE)	1824–1990	7.9–8.3	BS-1363	72 kg (158 lbs.)
GRSDS/H-36DHW	120/208–240	2910	16.4	NEMA L14-20P	72 kg (158 lbs.)
GRSDS/H-41D	120†	1090/1030	9.1/8.6	NEMA 5-15P ‡	81 kg (178 lbs.)
	120/208–240	2120	9.1	NEMA L14-20P	81 kg (178 lbs.)
	220	1951	8.9	CEE 7/7 Schuko	81 kg (178 lbs.)
	240	2325	9.7	BS-1363	81 kg (178 lbs.)
	220–230 (CE)	1951–2132	8.9–9.3	CEE 7/7 Schuko	81 kg (178 lbs.)
	230–240 (CE)	2132–2325	9.3–9.7	BS-1363	81 kg (178 lbs.)
GRSDS/H-41DHW	120/208–240	3460	17.3	NEMA L14-20P	81 kg (178 lbs.)

Les zones ombrées contiennent des informations électriques pour **les modèles internationaux uniquement**.

* NEMA 5-20P pour le Canada.

‡ Les unités sont livrées équipées de deux jeux de cordons d'alimentation et de fiches nécessitant deux circuits électriques 15 A indépendants. Les valeurs s'appliquent à chacun des circuits.

NOTA: Les unités haute puissance disposent d'un chauffage supérieur haute puissance uniquement sur le rayonnage supérieur.

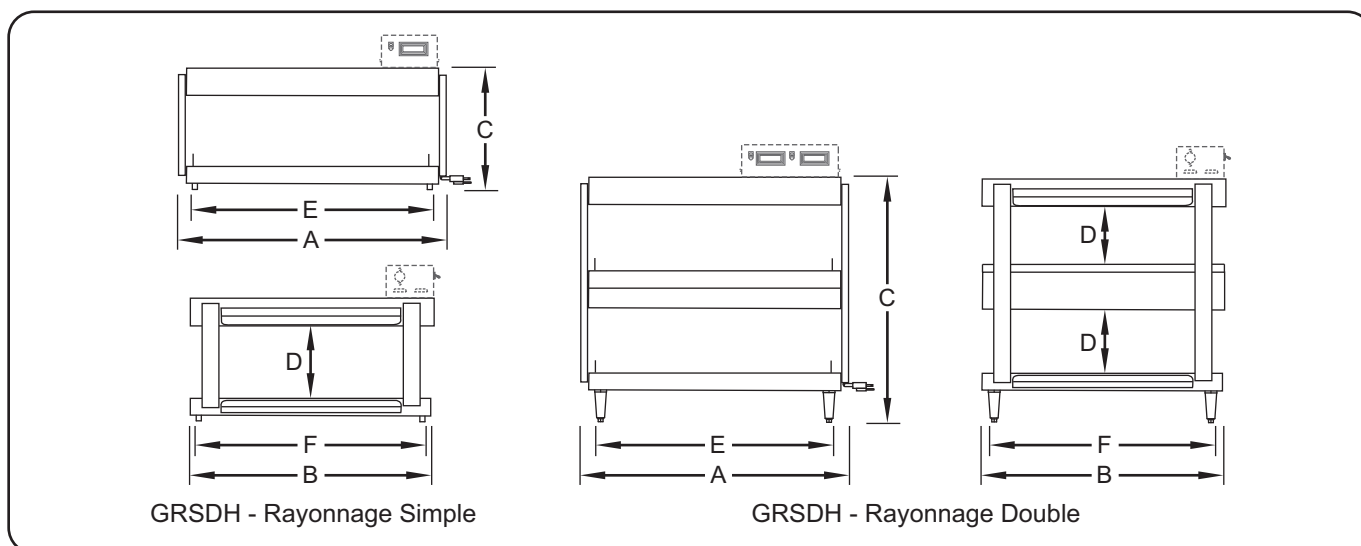
Dimensions — Modèles GRSDH

Modèle	Largeur (A)	Profondeur (B)	Hauteur (C) *	Hauteur du rayonnage (D)	Empattement Largeur (E)	Empattement Profondeur (F)
GRSDH-24	610 mm (24")	495 mm (19-1/2")	305 mm † (12")	181 mm (7-1/8")	546 mm (21-1/2")	457 mm (18")
GRSDH-30	762 mm (30")	495 mm (19-1/2")	305 mm † (12")	181 mm (7-1/8")	699 mm (27-1/2")	457 mm (18")
GRSDH-36	914 mm (36")	495 mm (19-1/2")	305 mm † (12")	181 mm (7-1/8")	851 mm (33-1/2")	457 mm (18")
GRSDH-41	1041 mm (41")	495 mm (19-1/2")	381 mm ♦ (15")	181 mm (7-1/8")	978 mm (38-1/2")	457 mm (18")
GRSDH-52	1321 mm (52")	495 mm (19-1/2")	381 mm ♦ (15")	181 mm (7-1/8")	1257 mm (49-1/2")	457 mm (18")
GRSDH-60	1524 mm (60")	495 mm (19-1/2")	381 mm ♦ (15")	181 mm (7-1/8")	1461 mm (57-1/2")	457 mm (18")
GRSDH-24D	610 mm (24")	495 mm (19-1/2")	648 mm ♦ (25-1/2")	181 mm (7-1/8")	546 mm (21-1/2")	457 mm (18")
GRSDH-30D	762 mm (30")	495 mm (19-1/2")	648 mm ♦ (25-1/2")	181 mm (7-1/8")	699 mm (27-1/2")	457 mm (18")
GRSDH-36D	914 mm (36")	495 mm (19-1/2")	648 mm ♦ (25-1/2")	181 mm (7-1/8")	851 mm (33-1/2")	457 mm (18")
GRSDH-41D	1041 mm (41")	495 mm (19-1/2")	648 mm ♦ (25-1/2")	181 mm (7-1/8")	978 mm (38-1/2")	457 mm (18")
GRSDH-52D	1321 mm (52")	495 mm (19-1/2")	648 mm ♦ (25-1/2")	181 mm (7-1/8")	1257 mm (49-1/2")	457 mm (18")
GRSDH-60D	1524 mm (60")	495 mm (19-1/2")	648 mm ♦ (25-1/2")	181 mm (7-1/8")	1461 mm (57-1/2")	457 mm (18")

• Ajoutez 79 mm (3-1/8") à la hauteur indiquée pour les commandes électroniques.

♦ La Hauteur (C) indiquée inclut des pieds de 102 mm (4").

† Ajoutez 76 mm (3") à la Hauteur (C) indiquée si vous utilisez des pieds de 102 mm (4").



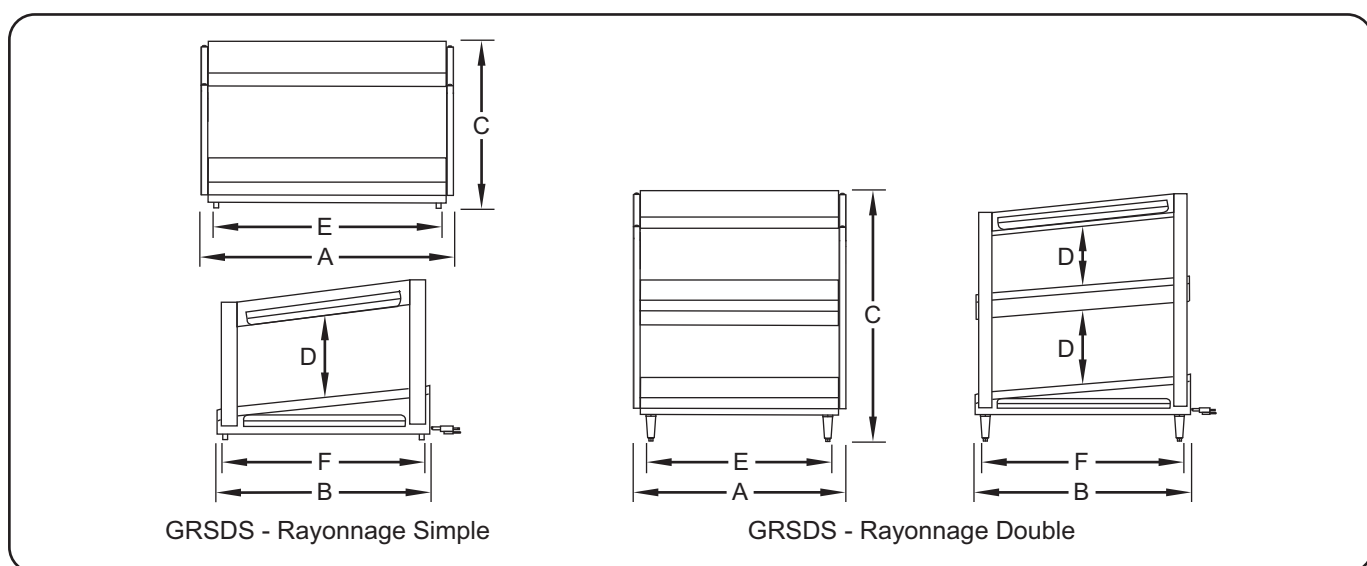
Dimensions des rayonnages simples et doubles GRSDH

Dimensions — Modèles GRSDS

Modèle	Largeur (A)	Profondeur (B)	Hauteur (C)	Hauteur du rayonnage (D)	Empattement Largeur (E)	Empattement Profondeur (F)
GRSDS-24	610 mm (24")	614 mm (24-1/4")	473 mm † (18-5/8")	235 mm (9-1/4")	546 mm (21-1/2")	572 mm (22-1/2")
GRSDS-30	762 mm (30")	614 mm (24-1/4")	473 mm † (18-5/8")	235 mm (9-1/4")	699 mm (27-1/2")	572 mm (22-1/2")
GRSDS-36	914 mm (36")	614 mm (24-1/4")	548 mm ♦ (21-5/8")	235 mm (9-1/4")	851 mm (33-1/2")	572 mm (22-1/2")
GRSDS-41	1041 mm (41")	614 mm (24-1/4")	548 mm ♦ (21-5/8")	235 mm (9-1/4")	978 mm (38-1/2")	572 mm (22-1/2")
GRSDS-52	1321 mm (52")	614 mm (24-1/4")	548 mm ♦ (21-5/8")	235 mm (9-1/4")	1257 mm (49-1/2")	572 mm (22-1/2")
GRSDS-60	1524 mm (60")	614 mm (24-1/4")	548 mm ♦ (21-5/8")	235 mm (9-1/4")	1461 mm (57-1/2")	572 mm (22-1/2")
GRSDS-24D	610 mm (24")	614 mm (24-1/4")	822 mm ♦ (32-3/8")	210 mm (8-1/4")	546 mm (21-1/2")	572 mm (22-1/2")
GRSDS-30D	762 mm (30")	614 mm (24-1/4")	822 mm ♦ (32-3/8")	210 mm (8-1/4")	699 mm (27-1/2")	572 mm (22-1/2")
GRSDS-36D	914 mm (36")	614 mm (24-1/4")	822 mm ♦ (32-3/8")	210 mm (8-1/4")	851 mm (33-1/2")	572 mm (22-1/2")
GRSDS-41D	1041 mm (41")	614 mm (24-1/4")	822 mm ♦ (32-3/8")	210 mm (8-1/4")	978 mm (38-1/2")	572 mm (22-1/2")
GRSDS-52D	1321 mm (52")	614 mm (24-1/4")	822 mm ♦ (32-3/8")	210 mm (8-1/4")	1257 mm (49-1/2")	572 mm (22-1/2")
GRSDS-60D	1524 mm (60")	614 mm (24-1/4")	822 mm ♦ (32-3/8")	210 mm (8-1/4")	1461 mm (57-1/2")	572 mm (22-1/2")

♦ La Hauteur (C) indiquée inclut des pieds de 102 mm (4").

† Ajoutez 76 mm (3") à la Hauteur (C) indiquée si vous utilisez des pieds de 102 mm (4").



Dimensions des rayonnages simples et doubles GRSDS

Dimensions — Modèles GRSDS, Rayonnage Triple Incliné

Modèle	Largeur (A)	Profondeur (B)	Hauteur (C) ♦	Empattement Largeur (D)	Empattement Profondeur (E)
GRSDS-24T	610 mm (24")	614 mm (24-1/4")	1114 mm (43-7/8")	546 mm (21-1/2")	578 mm (22-3/4")
GRSDS-36T	914 mm (36")	614 mm (24-1/4")	1114 mm (43-7/8")	851 mm (33-1/2")	578 mm (22-3/4")

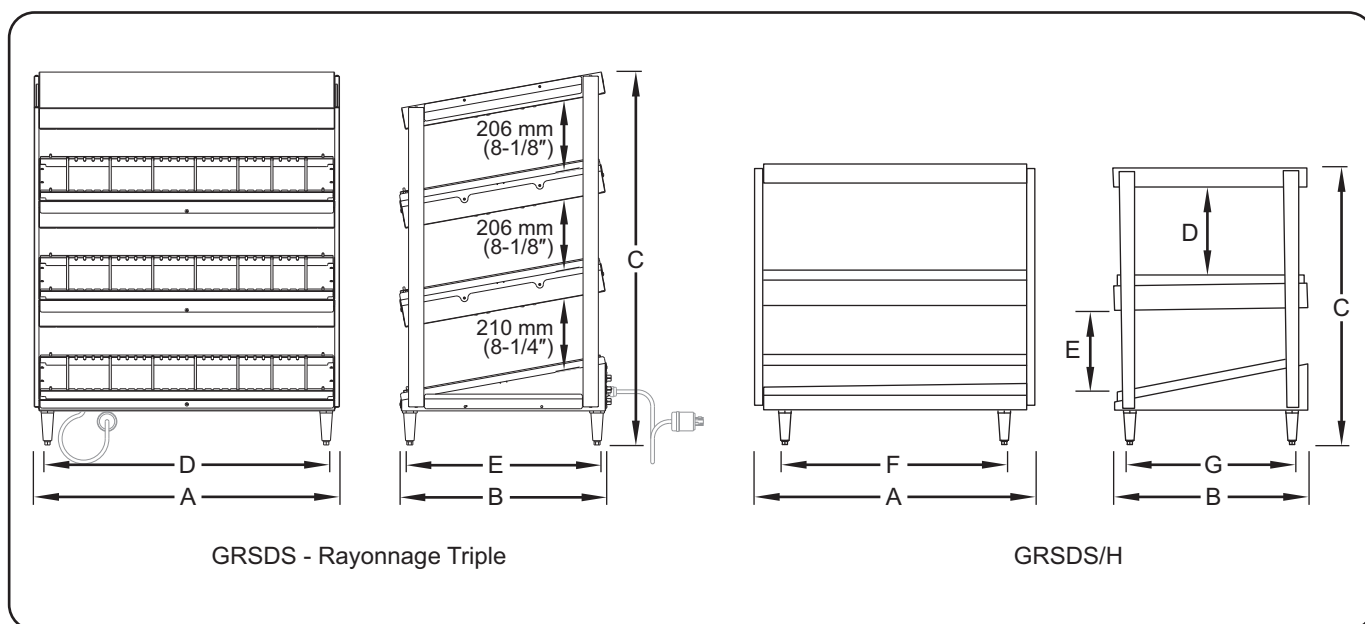
♦ La Hauteur (C) indiquée inclut des pieds de 102 mm (4").

Dimensions — Modèles GRSDS/H

Modèle	Largeur (A)	Profondeur (B)	Hauteur (C) ♦	Hauteur du rayonnage supérieur (D)	Hauteur du rayonnage de base (E)	Empattement Largeur (F)	Empattement Profondeur (G)
GRSDS/H-30D	762 mm (30")	614 mm (24-1/4")	851 mm (33-1/2")	305 mm (12")	264 mm (10-3/8")	699 mm (27-1/2")	572 mm (22-1/2")
GRSDS/H-36D	914 mm (36")	614 mm (24-1/4")	851 mm (33-1/2")	305 mm (12")	264 mm (10-3/8")	851 mm (33-1/2")	572 mm (22-1/2")
GRSDS/H-41D	1041 mm (41")	614 mm (24-1/4")	851 mm (33-1/2")	305 mm (12")	264 mm (10-3/8")	978 mm (38-1/2")	572 mm (22-1/2")
GRSDS-30DHW	762 mm (30")	614 mm (24-1/4")	851 mm (33-1/2")	305 mm (12")	264 mm (10-3/8")	699 mm (27-1/2")	572 mm (22-1/2")
GRSDS-36DHW	914 mm (36")	614 mm (24-1/4")	851 mm (33-1/2")	305 mm (12")	264 mm (10-3/8")	851 mm (33-1/2")	572 mm (22-1/2")
GRSDS-41DHW	1041 mm (41")	614 mm (24-1/4")	851 mm (33-1/2")	305 mm (12")	264 mm (10-3/8")	978 mm (38-1/2")	572 mm (22-1/2")

♦ La Hauteur (C) indiquée inclut des pieds de 102 mm (4").

NOTA: Un espacement optionnel de 381 mm (15") ajoute 76 mm (3") à la hauteur de l'unité.
Dimensions des rayonnages triples GRSDS et GRSDS/H.



Dimensions des rayonnages triples GRSDS et GRSDS/H

Généralités

Les présentoirs chauffants Glo-Ray sont expédiés avec la plupart des composants déjà assemblés. Il est important de faire attention lors du déballage du carton d'expédition afin d'éviter d'endommager l'appareil et les composants contenus dans le carton.

⚠ AVERTISSEMENT

DANGER DE DÉCHARGE ÉLECTRIQUE: L'appareil n'est pas à l'épreuve des intempéries. Placer l'appareil à l'intérieur à une température ambiante de 21°C (70°F) minimum.

DANGER D'INCENDIE: Placez l'unité à au moins 25 mm (1") des murs combustibles et des produits. Si les distances de sécurité ne sont pas respectées, une décoloration ou combustion peut avoir lieu.

⚠ ATTENTION

La National Sanitation Foundation (NSF) exige que les appareils mesurant plus de 914 mm (36") de largeur et pesant plus de 36 kg (80 lbs.) soient hermétiquement fixés ou rehaussés sur la surface d'installation. Si l'unité ne peut pas être fixée à l'endroit d'utilisation, des pieds de 102 mm (4") sont fournis pour permettre le nettoyage du dessous de l'unité.

1. Sortir l'appareil de sa boîte.

NOTA : Pour éviter des retards dans l'obtention de la couverture de la garantie, complétez l'enregistrement en ligne de votre garantie. Lisez la section INFORMATIONS IMPORTANTES POUR LE PROPRIÉTAIRE pour plus de détails.

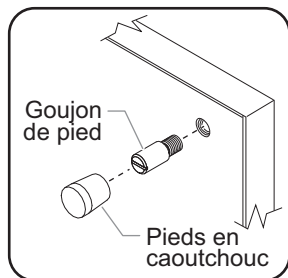
2. Retirez le ruban et l'emballage de protection de toutes les surfaces de l'appareil.

AVIS

Ne couchez pas l'unité sur le côté comportant le panneau de commande. L'unité pourrait être endommagée.

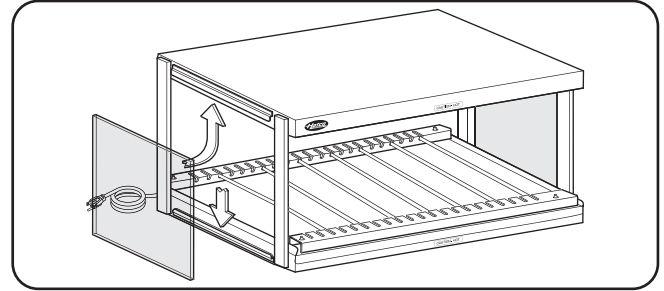
3. Couchez délicatement l'unité sur le côté et installez les quatre pieds en caoutchouc.

- Introduisez un goujon de pied dans l'orifice situé à chaque coin du dessous de l'unité. Serrez-le fermement.
- Enfilez un pied en caoutchouc sur chaque goujon de pied.



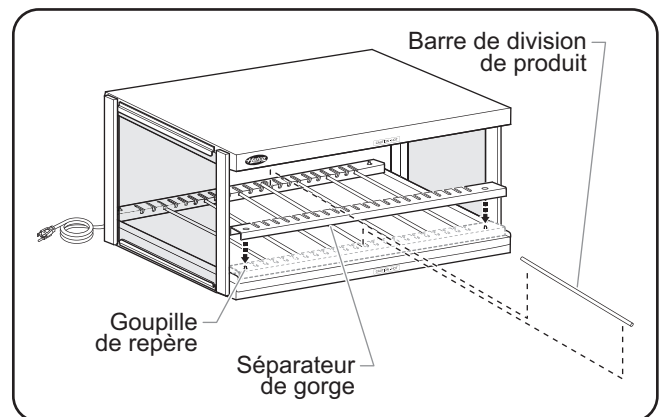
NOTA: Si des pieds de 102 mm (4") sont nécessaires, reportez-vous à la section Options et accessoires de ce manuel pour obtenir des instructions d'installation. Les pieds de 102 mm (4") sont standard sur les modèles à rayonnage simple de 1041 mm (36") et plus larges sur tous les modèles à rayonnages doubles et triples.

4. Faites glisser chaque panneau latéral en verre dans la gorge supérieure, puis faites descendre avec précaution le panneau dans la gorge inférieure.



Installation du panneau latéral vitré

5. Installez les barres de séparation de gorge et de produit.
 - Placez les séparateurs de gorge sur les goupilles de repère situées sur l'arrête frontale et l'arrête arrière de l'unité.
 - Placez la barre de séparation de produit dans le séparateur de gorge. Les barres peuvent être ajustées facilement afin de séparer les zones de conservation selon les besoins.



Installation des barres de division de produit

NOTA: L'unité doit rester droite pendant le transport.

6. Placez l'unité à l'emplacement souhaité.
 - Placez l'unité dans une zone dont la température ambiante est constante 21°C minimum (70°F). Évitez les endroits susceptibles d'activer les mouvements ou les courants d'air (proximité des ventilateurs ou hottes d'évacuation et conduites de climatisation).
 - Assurez-vous que l'unité est placée à une hauteur appropriée dans une zone facilitant son utilisation.
 - Veillez à ce que le comptoir soit plan et assez résistant pour supporter le poids de l'unité et des produits alimentaires.
 - Veillez à ce que tous les pieds situés sous l'unité soient bien positionnés sur le comptoir.

Généralités

Observez les procédures suivantes pour utiliser les présentoirs chauffants.

AVERTISSEMENT

Lire tous les messages de sécurité de la section Consignes de sécurité importantes avant d'utiliser ce matériel.

Ne placez aucun produit alimentaire directement sur une surface à revêtement dur. Les produits alimentaires doivent être emballés, placés dans une boîte ou dans un bac alimentaire.

AVIS

Ne faites pas glisser de casseroles sur les surfaces à revêtement dur, n'utilisez pas de casseroles avec revêtement à fond dur et ne laissez rien tomber sur les surfaces à couche dure. Cela pourrait rayer votre équipement. Les dommages causés sur les surfaces à revêtement dur dus à une mauvaise utilisation ne sont pas couverts par la garantie.

Démarrage

1. Branchez l'unité à une prise possédant le voltage, la dimension et la configuration adéquats. Consultez la section CARACTÉRISTIQUES pour obtenir plus de détails.
2. Placez l'interrupteur I/O (marche/arrêt) sur la position « I » (marche).
 - Les bandes de chauffage et lumières supérieures s'allumeront.
 - Les bases chauffantes seront activées.

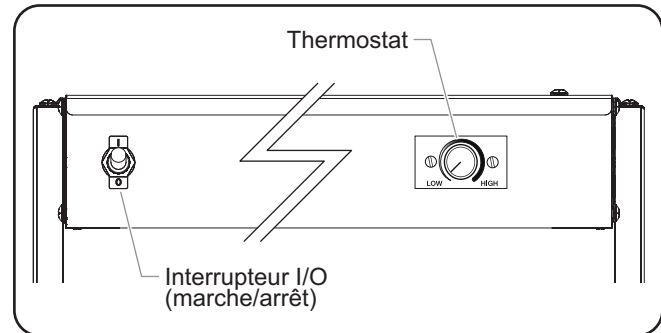
NOTA: Tous les interrupteurs I/O (marche/arrêt) doivent être positionnés sur « I » (marche) pour que les bases chauffantes puissent fonctionner.

ATTENTION

DANGER DE BRÛLURE : Certaines surfaces extérieures de l'appareil deviennent chaudes. Toucher ces zones de l'appareil avec précaution.

3. Tournez les thermostats vers le réglage de température souhaité entre BASSE ou ÉLEVÉE. La plage de température de service des bases chauffantes est comprise entre la température ambiante et 85°–93°C (185°–200°F).

- Vous pourrez tourner le thermostat dans le sens des aiguilles d'une montre pour augmenter la température. Vous pourrez tourner le thermostat dans le sens inverse des aiguilles d'une montre pour baisser la température.



Commandes

NOTE: Si l'unité est équipée d'un régulateur de température numérique au lieu d'un bouton de réglage de température classique, consultez la section OPTIONS ET ACCESSOIRES pour obtenir des instructions de fonctionnement.

4. Attendez 30 minutes que l'appareil ait le temps d'atteindre sa température de service avant d'y placer le produit alimentaire préchauffé.

Arrêt

1. Placez l'interrupteur I/O (marche/arrêt) sur la position « O » (arrêt). Les bandes chauffantes et lumières supérieures ainsi que les bases chauffantes s'éteindront.

Généralités

Les présentoirs chauffants Glo-Ray de Hatco sont conçus pour fournir une durabilité et des performances maximales avec une maintenance minimale.

⚠ AVERTISSEMENT

DANGER DE DÉCHARGE ÉLECTRIQUE :

- Mettez l'unité hors tension depuis l'interrupteur, débranchez le cordon d'alimentation et laissez l'unité refroidir avant d'effectuer tout nettoyage, tout réglage ou tout entretien.
- **NE PAS immerger l'appareil ni le saturer d'eau. L'appareil n'est pas étanche à l'eau. Ne pas le faire fonctionner s'il a été immergé ou saturé d'eau.**
- Ne pas nettoyer à la vapeur ni utiliser trop d'eau sur l'appareil.
- Ne pas nettoyer l'appareil lorsqu'il est sous tension.

Cet appareil ne contient aucune pièce réparable par l'utilisateur. Si cet appareil doit être réparé, contacter un réparateur Hatco agréé ou le Service après-vente Hatco au 800-558-0607 ou 414-671-6350 ; télécopieur 800-690-2966; télécopieur internationale 414-671-3976.

Nettoyage quotidien

Pour préserver la finition de l'appareil et maintenir la performance, il est recommandé de nettoyer tous les jours l'appareil.

AVIS

IMPORTANT—N'UTILISEZ JAMAIS une serviette en papier ou un nettoyant pour vitres sur les surfaces en plastique telles que les pare-haleine ou les capots rabattables. Les serviettes en papier et le nettoyant pour vitres peuvent rayer l'équipement. Essayez les surfaces plastique à l'aide d'un chiffon doux, propre et humide.

Nettoyez l'unité quotidiennement pour éviter les dysfonctionnements et assurer un fonctionnement sain.

1. Mettre l'appareil hors tension, débrancher le cordon d'alimentation, et laisser refroidir l'appareil.
2. Retirez puis nettoyez les séparateurs de produits.
3. Essuyez l'ensemble des surfaces intérieures et extérieures à l'aide d'un chiffon humide. Vous pourrez utiliser un nettoyant non-abrasif pour éliminer les tâches difficiles. Les recoins difficiles d'accès devront être nettoyés à l'aide d'une petite brosse et de savon doux.
4. Nettoyez les panneaux sur la face vitrée à l'aide d'un nettoyant pour vitres traditionnel.
5. Nettoyez les pare-haleine et capots rabattables en plastique (si installés) à l'aide d'un chiffon propre, de savon doux et d'eau. **REMARQUE : N'utilisez pas de serviette en papier ou un nettoyant pour vitres sur des surfaces en plastique. Leur contact pourrait rayer votre matériel.**

Remplacement du tube d'éclairage

La lumière d'affichage est une ampoule incandescente qui éclaire la zone chauffante. Cette ampoule a un enduit spécial pour éviter toute blessure et toute contamination des éléments en cas de casse.

⚠ AVERTISSEMENT

N'utiliser que des ampoules électriques qui correspondent ou qui surpassent les standards de la Fondation Nationale des Affaires Sanitaires (NSF) et qui sont spécifiquement conçues pour les espaces de conservation des aliments. La casse d'ampoules électriques non enduites de manière spécifique pourrait entraîner des lésions corporelles et/ou une contamination des aliments.

Pour remplacer une ampoule lumineuse :

1. Mettre l'appareil hors tension, débrancher le cordon d'alimentation, et laisser refroidir l'appareil.
2. Dévissez l'ampoule lumineuse de l'appareil, et remplacez-la par une nouvelle ampoule lumineuse incandescente avec un enduit spécial.

NOTA : Les ampoules lumineuses résistantes aux chocs d'Hatco répondent aux standards de la NSF pour la conservation de la nourriture et des zones d'étalage. Pour les applications 120 et 120/208–240 volts, utilisez P/N 02.30.043.00 d'Hatco. Pour les applications 200, 220, 240, 220–230 et 230–240 volts, utilisez P/N 02.30.058.00 d'Hatco.

NOTA : Les ampoules halogènes sont disponibles en option. Pour les applications 120 et 120/208–240 volts, utilisez les pièces numéro 02.30.081.00 d'Hatco. Pour les applications 220, 240, 220–230, et 230–240 volts, utilisez P/N 02.30.082.00 d'Hatco.

⚠ AVERTISSEMENT

Pour les réparations, utiliser exclusivement des pièces de rechange Hatco d'origine. Utilisez des pièces détachées Hatco authentiques sous peine d'annuler toutes les garanties et d'exposer l'utilisateur à des tensions électriques dangereuses pouvant entraîner une électrocution ou des brûlures. Les pièces de rechange Hatco d'origine sont conçues pour fonctionner sans danger dans les environnements dans lesquels elles sont utilisées. Certaines pièces de rechange génériques ou de second marché ne présentent pas les caractéristiques leur permettant de fonctionner sans danger dans la matériel Hatco.

Remplacement d'un fusible

Suivre la procédure suivante pour remplacer un(des) fusible(s) endommagé(s).

1. Mettre l'interrupteur I/O (marche/arrêt) sur la position « O » (arrêt) et débrancher le cordon d'alimentation. Laissez l'unité refroidir.
2. Localisez le boîtier de fusibles sur le côté de l'unité comportant le panneau de commande.
 - Modèles GRSDS: les fusibles se situent dans le panneau de commande.
 - Modèles GRSDH: les fusibles se situent dans un boîtier de fusibles en haut de l'unité.
3. Retirez les vis pour accéder aux fusibles.
 - Modèles GRSDS: retirez le panneau de commande.
 - Modèles GRSDH: retirez le couvercle du boîtier de fusibles.
4. Enlevez le(s) fusible(s) endommagé(s) et remplacez-le(s) par un(des) fusible(s) neuf(s).
5. Effectuez l'inverse de la procédure décrite ci-dessus pour le remontage.

⚠ AVERTISSEMENT

La réparation de cet appareil doit être confiée exclusivement à du personnel qualifié. Les réparations par des personnes non qualifiées peuvent provoquer des décharges électriques et des brûlures.

⚠ AVERTISSEMENT

DANGER DE DÉCHARGE ÉLECTRIQUE: Mettez l'unité hors tension depuis l'interrupteur, débranchez le cordon d'alimentation et laissez l'unité refroidir avant d'effectuer tout nettoyage, tout réglage ou tout entretien.

Symptômes	Causes Probables	Action Correctrice
L'ampoule ne fonctionne pas.	Ampoule défectueuse.	Remplacez l'ampoule.
	Fusible grillé.	Remplacez le fusible grillé, suivez la procédure « Remplacement d'un fusible » dans la section MAINTENANCE.
La température de la chambre d'aliments n'est pas assez élevée.	Thermostat réglé trop bas.	Montez le thermostat.
	Les éléments chauffants ne fonctionnent pas.	Contactez votre agent de maintenance agréé ou Hatco pour toute demande d'assistance.
	Le thermostat ne fonctionne pas correctement.	Contactez votre agent de maintenance agréé ou Hatco pour toute demande d'assistance.
	Mouvement d'air excessif autour de l'unité.	Réduisez ou redirigez le mouvement d'air (un conduit de climatisation ou un extracteur d'air, par exemple) loin de l'unité, ou installez des capots rabattables sur l'unité afin de retenir la chaleur et de bloquer le débit d'air.
	Unité branchée à une alimentation électrique inappropriée.	Contactez votre agent de maintenance agréé ou Hatco pour toute demande d'assistance.
La température de la chambre d'aliments est trop élevée.	Thermostat réglé trop haut.	Baissez le thermostat.
	Le thermostat ne fonctionne pas correctement.	Contactez votre agent de maintenance agréé ou Hatco pour toute demande d'assistance.
	Unité branchée à une alimentation électrique inappropriée.	Contactez votre agent de maintenance agréé ou Hatco pour toute demande d'assistance.
Pas de chaleur, lumière.	Thermostat réglé trop bas.	Montez le thermostat.
	Les éléments chauffants ne fonctionnent pas.	Contactez votre agent de maintenance agréé ou Hatco pour toute demande d'assistance.
	Le thermostat ne fonctionne pas correctement.	Contactez votre agent de maintenance agréé ou Hatco pour toute demande d'assistance.
Pas de chaleur ni de lumière.	Alimentation coupée.	Placez l'interrupteur I/O (marche/arrêt) sur la position « I » (marche).
	Le coupe-circuit a disjoncté.	Réinitialisez le disjoncteur. Si le coupe-circuit continue de disjoncter, contactez un agent de service agréé ou Hatco pour obtenir une assistance.

Vous avez des questions en ce qui concerne les pannes ?

Si le problème persiste, veuillez contacter l'agence d'entretien agréée Hatco la plus proche ou Hatco pour obtenir une assistance. Pour trouver l'agence d'entretien la plus proche, rendez-vous sur le site Internet de Hatco (www.hatcocorp.com) et cliquez sur Trouver un agent d'entretien, ou contactez l'équipe d'entretien et de pièces détachées de Hatco :

Numéro de

téléphone: 800-558-0607 ou 414-671-6350

Courriel: partsandservice@hatcocorp.com

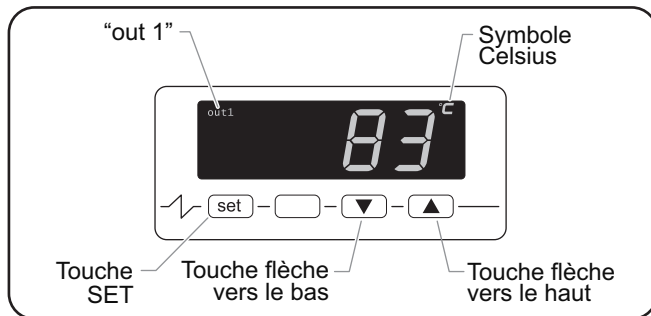
Télécopie: 800-690-2966 ou 414-671-3976

Thermostat Numérique

Les unités peuvent être équipées d'un thermostat numérique optionnel visant à réguler et à afficher les températures de la base. Observez les procédures suivantes pour utiliser le thermostat numérique.

NOTA: Cette option sera initialement installée à l'usine et ne pourra pas être ajoutée par la suite.

NOTA: Les unités destinées à l'exportation vers des pays autres que les États-Unis ou le Canada seront équipées de régulateurs de température numériques indiquant la température en degrés Celsius (°C).



Thermostat Numérique

- Placez l'interrupteur I/O (marche/arrêt) sur la position « I » (marche).
 - Le régulateur de température numérique sera activé et la température actuelle des bases chauffantes apparaîtra sur l'affichage. **ATTENTION! Certaines surface extérieures de l'unité deviendront chaudes. Soyez prudent lorsque vous touchez ces surfaces.**
 - Le message « out 1 » apparaît en haut à gauche de l'affichage pour indiquer que la base est en train de chauffer.
- Appuyez puis relâchez la touche **set**. Le point de consigne de température actuel sera indiqué sur l'affichage et « out 1 » clignotera dans le coin supérieur gauche.
- Appuyez sur la touche **▲** ou **▼** dans les 15 secondes pour modifier le point de consigne. Si vous n'appuyez sur aucune touche dans les 15 secondes, l'affichage rétablira la température actuelle des bases chauffantes.
- Appuyez sur la touche **set** ou patientez pendant 15 secondes pour verrouiller le nouveau point de consigne de température. La plage du point de consigne du thermostat est comprise entre la température ambiante et la température de service maximale de l'unité.

Verrouiller/déverrouiller le thermostat numérique

Les touches du régulateur de température numérique peuvent être verrouillées afin d'empêcher toute modification non autorisée des réglages.

Pour verrouiller les touches du régulateur de température numérique :

- Appuyez sur les touches **set** et **▼** simultanément pendant 2 secondes minimum. Le message « Loc » apparaîtra sur l'affichage.

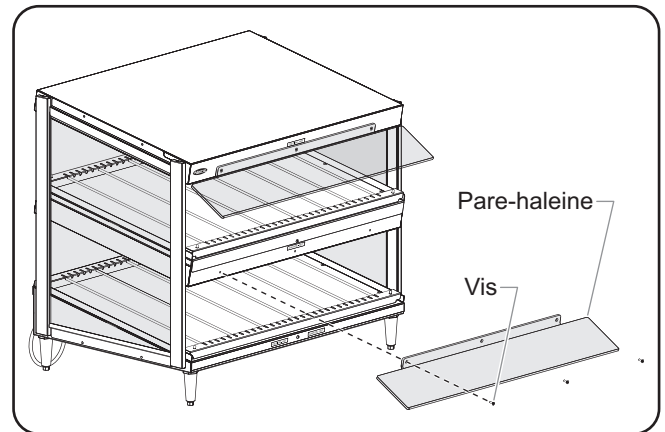
Pour déverrouiller les touches du régulateur de température numérique :

- Appuyez sur les touches **set** et **▼** simultanément jusqu'à ce que le message « UnL » s'affiche à l'écran.

Pare-haleine

Des pare-haleine optionnels sont disponibles pour tous les modèles. Sur les modèles GRSDH, des pare-haleine peuvent être installés au-dessus de chaque rayonnage sur les deux côtés de l'unité. Sur les modèles GRSDS et GRSDS/H, des pare-haleine peuvent être installés au-dessus de chaque rayonnage sur le côté client uniquement. Observez la procédure suivante pour installer les pare-haleine.

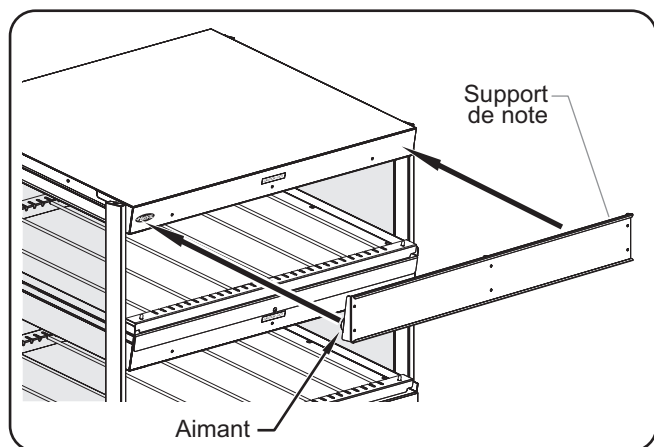
- Retirez les vis situées à l'avant de l'unité alignées avec les trous du pare-haleine.
- Alignez les trous situés sur le pare-haleine avec les trous de vis situés sur l'unité.
- Insérez les vis retirées lors de l'étape n°1 dans le pare-haleine ainsi que dans l'unité.
- Serrez les vis afin de fixer le pare-haleine. Ne les serrez pas trop fort.



Installation du pare-haleine des modèles GRSDS

Support de Note

Un support de note (note non fournie) est disponible pour une installation sur le rayonnage supérieur ou intermédiaire. Pour installer le support de note, il vous suffit de placer le côté aimanté du support de note sur le rayonnage choisi.



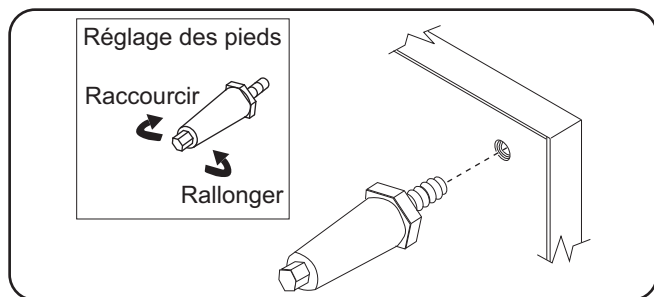
Support de Note

Pieds réglables 102 mm (4")

AVIS

Ne couchez pas l'unité sur le côté comportant le panneau de commande. L'unité pourrait être endommagée.

Couchez prudemment l'unité sur le côté. Installez les pieds sous l'unité. Serrez les pieds manuellement jusqu'à ce qu'ils ne bougent plus. Ne les serrez pas trop fort. Remplacez l'unité à l'endroit.



Installation des pieds

NOTA: Les pieds sont réglables pour ajuster la hauteur de l'unité. Utilisez une clé à fourche de 16 mm (5/8") afin d'effectuer des réglages une fois l'unité à son emplacement final.

Panneaux en acier inoxydable

Les panneaux en acier inoxydable font partie des options installées à l'usine pour remplacer les panneaux en verre.

Plaques de verrouillage des capots rabattables

Les plaques de fixation des capots rabattables font partie des options installées à l'usine pour les modèles GRSDS-XX, GRSDS-XXD, et GRSDS-XXT. Les plaques de fixation des capots rabattables permettent un accès au côté serveur exclusivement.

Lumières halogènes

Des ampoules halogènes optionnelles peuvent être commandées pour remplacer les ampoules à incandescence classiques.

Barres de séparation

Des barres de séparation supplémentaires sont disponibles pour aider à maintenir la séparation des produits dans les gorges.

Capots rabattables

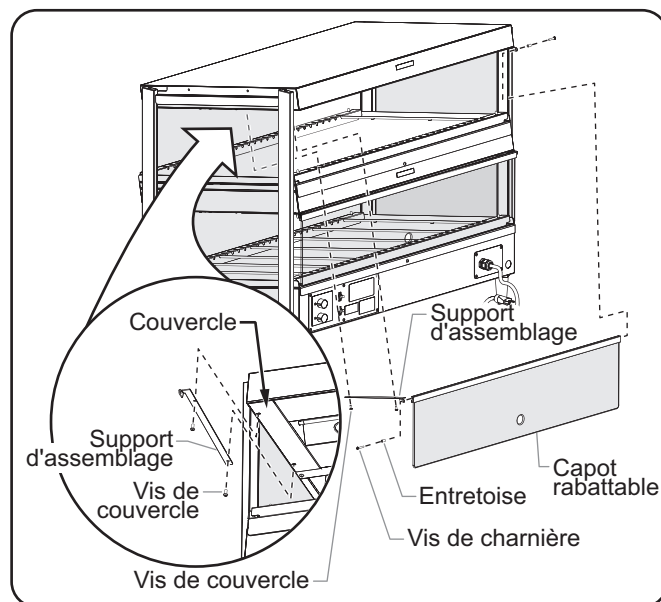
Des capots rabattables peuvent être préinstallés en option pour tous les modèles. Les capots peuvent être installés sur le côté client ou sur le côté serveur de l'unité. Observez la procédure suivante pour installer les capots rabattables (la procédure est la même pour les deux côtés et pour les différents rayonnages).

NOTA: Les unités de 1321 mm (52") et plus nécessitent 2 capots par rayonnage ainsi qu'un support de montage central.

1. Retirez les deux vis du couvercle du rayonnage souhaité sur chaque côté de l'unité.
2. Alignez les trous des supports de fixation avec les trous de vis situés sur les couvercles de l'unité.
3. Insérez les vis retirées lors de l'étape n°1 dans le support de fixation ainsi que dans l'unité. Serrez-le fermement.

NOTA: Pour les unités de 1321 mm (52") et plus, un support de montage central est nécessaire. Retirez les vis du centre du logement supérieur ou médian et utilisez-les pour fixer le support de montage central.

4. Placez une entretoise sur chaque vis de charnière (toutes deux fournies avec le capot).
5. Alignez les trous de vis situés à chaque extrémité de la gorge du capot rabattable avec le trou situé sur chaque support de fixation.
6. Placez une vis de charnière avec entretoise dans chaque support de fixation ainsi que dans le capot rabattable.
7. Serrez les vis de charnière jusqu'à ce que le capot ne bouge plus. Assurez-vous que les entretoises situées sur les vis de charnière s'insèrent dans les trous des supports de fixation. Ne les serrez pas trop fort.



Installation des capots rabattables

1. GARANTIE DU PRODUIT

Hatco garantit que les produits qu'il fabrique (les « Produits ») sont exempts de défauts de matériel et de fabrication, dans des conditions normales d'utilisation et de maintenance, pour une période d'un (1) an à partir de la date d'achat à condition que l'appareil soit installé et entretenu conformément aux instructions écrites de Hatco ou 18 mois après la date de l'expédition par Hatco. L'acheteur doit prouver la date d'achat du Produit par l'enregistrement du produit auprès de Hatco ou par d'autres moyens satisfaisants pour Hatco, à sa seule discrétion.

Hatco garantit que les composants du Produit suivants sont exempts de défauts de matériel et de fabrication à partir de la date d'achat (sous réserve des conditions précédentes) pour la ou les périodes de temps et en fonction des conditions listées ci-dessous :

a) Garantie d'un (1) an pour les pièces et la main-d'œuvre PLUS un an (1) supplémentaire pour les pièces uniquement :

Éléments du grille-pain à convoyeur (enveloppe métallique)
 Éléments des tiroirs chauffants (enveloppe métallique)
 Tiroirs, roues et glissières des tiroirs chauffants
 Éléments des rampes chauffantes (enveloppe métallique)
 Éléments des vitrines chauffantes
 (enveloppe métallique, air chauffant)
 Éléments des armoires de stockage
 (enveloppe métallique, air chauffant)
 Éléments des compartiments chauffants —
 série HW et HWB (enveloppe métallique)

b) Garantie d'un (1) an pour les pièces et la main-d'œuvre PLUS quatre (4) ans pour les pièces uniquement :
 Cuves 3CS et FR

c) Garantie d'un (1) an pour les pièces et la main-d'œuvre PLUS neuf (9) ans pour les pièces uniquement :
 Cuves des appareils de chauffage d'appoint électriques
 Cuves des appareils de chauffage d'appoint à gaz

d) Garantie de quatre-vingt-dix (90) jours pour les pièces uniquement :
 Pièces de rechange

LES GARANTIES PRÉCÉDENTES SONT EXCLUSIVES ET REMPLACENT TOUTES AUTRES GARANTIES, EXPRESSES OU IMPLICITES, COMPRENANT, MAIS NE SE LIMITANT PAS À, TOUTES GARANTIES IMPLICITES DE QUALITÉ MARCHANDE OU DE FINALITÉ PARTICULIÈRE OU TOUS BREVETS OU TOUTES AUTRES ATTEINTES AUX DROITS DE LA PROPRIÉTÉ INTELLECTUELLE. Sans restreindre la portée générale des énoncés précédents, CES GARANTIES NE COUVRENT PAS : Ampoules d'éclairage à incandescence enduites, lumières fluorescentes, ampoules de lampes chauffantes, ampoules d'éclairage à halogène enduites, ampoules de lampes chauffantes au xénon, tubes d'éclairage DEL, composants en verre et fusibles ; défaut de produit dans la cuve d'un appareil de chauffage d'appoint, dans un échangeur de chaleur à tubes à ailettes ou tout autre équipement de chauffage d'eau causé par la calcification, l'accumulation de sédiments, la réaction d'un produit chimique ou le gel ; ou une mauvaise utilisation, une manipulation ou une mauvaise application, une installation inappropriée du Produit ou l'utilisation d'une tension inappropriée.

2. LIMITES DES RECOURS ET DES DOMMAGES

La responsabilité de Hatco et la seule voie de recours de l'Acheteur prévues par les présentes seront limitées exclusivement, au gré de Hatco, à la réparation ou au remplacement à l'aide de pièces ou de Produits nouveaux ou remis à neuf par Hatco ou un centre de réparation agréé par Hatco (sauf si l'Acheteur se situe hors des États-Unis, du Canada, du Royaume-Uni ou de l'Australie, auquel cas la responsabilité de Hatco et la seule voie de recours de l'Acheteur seront limitées exclusivement au remplacement des pièces concernées par la garantie) à l'égard de toute revendication effectuée dans les délais de garantie applicables mentionnés ci-dessus. Hatco se réserve le droit d'accepter ou de rejeter toute réclamation en partie ou dans son intégralité. Dans le cadre de cette Garantie limitée, « remis à neuf » signifie une pièce ou un Produit dont les caractéristiques techniques d'origine ont été restaurées par Hatco ou un centre de réparation agréé par Hatco. Hatco n'acceptera aucun retour de Produits sans qu'il n'ait auparavant donné son accord écrit, et tous ces retours approuvés doivent être effectués aux seuls frais de l'Acheteur. HATCO NE SERA PAS TENU RESPONSABLE, DANS AUCUNE CIRCONSTANCE, DES DOMMAGES CONSÉCUTIFS OU INDIRECTS, COMPRENANT, MAIS NE SE LIMITANT PAS À, LES COÛTS DE MAIN-D'ŒUVRE OU PERTES DE PROFITS DUS À UNE UTILISATION OU À UNE IMPOSSIBILITÉ D'UTILISER LES PRODUITS OU DUS AU FAIT QUE LES PRODUITS ONT ÉTÉ INTÉGRÉS DANS OU QU'ILS SONT DEVENUS UN COMPOSANT DE TOUT AUTRE PRODUIT OU BIEN.

