



# GLO-RAY<sup>®</sup>

## Food Warmer

### *GR Series*

---

*GR*

*GRAL*

*GRA*

*GRAH*

*GRH*

*GRAHL*

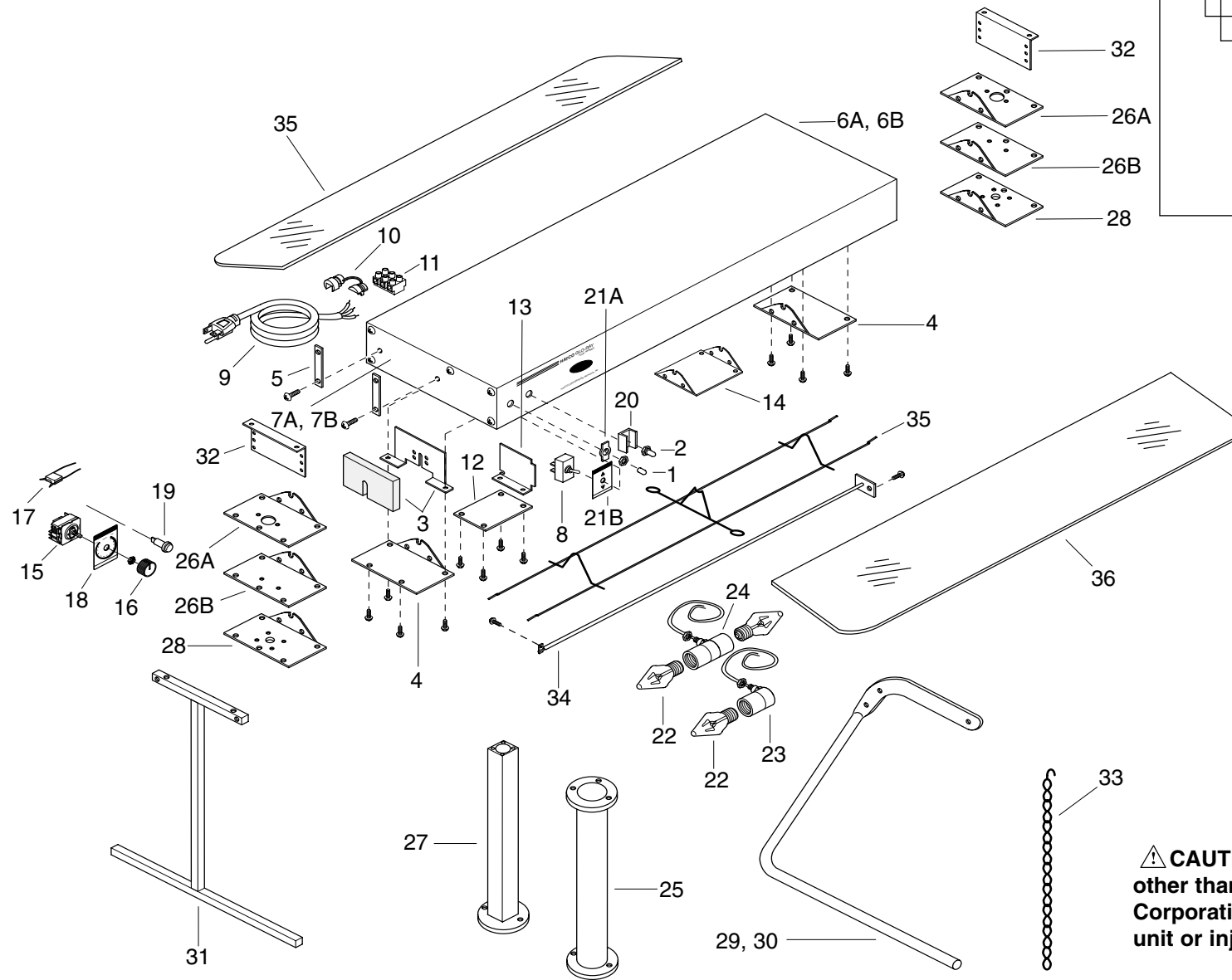
---

**REPLACEMENT  
PARTS LIST**

---

# HATCO GLO-RAY® FOOD WARMER SERIES

Model Designation	
GRAHL-XXT	
—	Glo
—	Ray
—	Aluminum
—	High Wattage
—	Lights
—	Length (inches)
—	Tandem (Heating elements mounted end to end)



**⚠ CAUTION - Use of replacement parts other than those supplied by Hatco Corporation may result in damage to the unit or injury to personnel.**

## PARTS COMMON TO ALL MODELS

ITEM	DESCRIPTION	PART NO.	QTY.	ITEM	DESCRIPTION	PART NO.	QTY.
1	Rubber Boot for Toggle Switch, Slip On	02.20.283.00	1	3	Backup Element Support Plate with Insulation	R04.09.056.00	2
2	Rubber Boot for Toggle Switch, Threaded (optional)	02.20.040.00	1	4	Bottom End Cover	04.08.055.00	2
				5	Hanger Tab	04.08.042.00	4

## PARTS SPECIFIC TO ALL MODELS

ITEM	DESCRIPTION	100V	120V	208V	240V	220E	240E	220-230CE	230-240CE
6A	End Plate, RH 6" (15 cm)•	04.09.051.00	04.09.051.00	04.09.051.00	04.09.051.00	04.09.051.00	04.09.051.00	04.09.051.00	04.09.051.00
6B	End Plate, RH 9" (23 cm) (Lighted Unit)•	04.09.114.00	04.09.114.00	04.09.114.00	04.09.114.00	04.09.114.00	04.09.114.00	04.09.114.00	04.09.114.00
7A	End Plate, LH 6" (15 cm), with Grounding Bracket•	04.09.057.00	04.09.057.00	04.09.057.00	04.09.057.00	04.09.057.00	04.09.057.00	04.09.057.00	04.09.057.00
7B	End Plate, 9" (23 cm) LH (Lighted Unit)	04.09.115.00	04.09.115.00	04.09.115.00	04.09.115.00	04.09.115.00	04.09.115.00	04.09.115.00	04.09.115.00
8	Toggle Switch (Qty. 1-2)	R02.19.016.00	R02.19.016.00	R02.19.008A.00	R02.19.008A.00	R02.19.008A.00	R02.19.008A.00	R02.19.008A.00	R02.19.008A.00
9	Cord and Plug*	---	R02.18.030.00	---	---	---	---	---	---
10	Cord Grip	---	02.20.206.00	---	---	---	---	---	---
11	Terminal Block	---	---	---	---	---	---	R02.15.030.00	R02.15.030.00
12	Cover Plate, 4" (10 cm) (Lighted Unit)	04.11.003.00	04.11.003.00	04.11.003.00	04.11.003.00	04.11.003.00	04.11.003.00	04.11.003.00	04.11.003.00
13	Cover Plate, Support LH (Lighted Unit)	04.09.134.00	04.09.134.00	04.09.134.00	04.09.134.00	04.09.134.00	04.09.134.00	04.09.134.00	04.09.134.00
14	Tandem Center Cover (Qty. 2)	04.08.049.00	04.08.049.00	04.08.049.00	04.08.049.00	04.08.049.00	04.08.049.00	04.08.049.00	04.08.049.00

Shaded area reflects export models only.

• Not Shown

\* Cord and plug set available on 120 Volt models up to 6' (183 cm) with C-Leg or T-Leg stand only.

## PARTS OPTIONAL TO ALL MODELS

ITEM	DESCRIPTION	100V	120V	208V	240V	220E	240E	220-230CE	230-240CE
15	Infinite Switch with Knob	R02.19.160.00	R02.19.018.00	R02.19.017.00	R02.19.019.00	R02.19.019.00	R02.19.019.00	R02.19.019.00	R02.19.019.00
16	Knob, Infinite Switch	05.30.043.00	05.30.043.00	05.30.043.00	05.30.043.00	05.30.043.00	05.30.043.00	05.30.043.00	05.30.043.00
17	Noise Suppression	---	---	---	---	---	---	02.13.306.00	02.13.306.00
18	Infinite Switch Plate	07.01.034.00	07.01.034.00	07.01.034.00	07.01.034.00	07.01.034.00	07.01.034.00	07.01.034.00	07.01.034.00
19	Indicator Light, Red	02.19.154.00	02.19.154.00	02.19.151.00	02.19.151.00	---	---	---	---
	Indicator Light, Green	---	---	---	---	02.19.150.00	02.19.150.00	02.19.150.00	02.19.150.00
20	Switch Guard - Toggle	04.08.240.00	04.08.240.00	04.08.240.00	04.08.240.00	04.08.240.00	04.08.240.00	04.08.240.00	04.08.240.00
21A	Toggle Switch On/Off Indicator	07.01.058.00	07.01.058.00	07.01.058.00	07.01.058.00	07.01.058.00	07.01.058.00	07.01.214.00	07.01.214.00
21B	Toggle Switch Plate	07.01.035.00	07.01.035.00	07.01.035.00	07.01.035.00	07.01.035.00	07.01.035.00	07.01.035.00	07.01.035.00
22	Light Bulb, Coated, 60 Watt	02.30.043.00	02.30.043.00	02.30.043.00†	02.30.043.00†	02.30.058.00	02.30.058.00	02.30.058.00	02.30.058.00
23	Light Socket (Single) with Leads	02.30.044.00	02.30.044.00	02.30.044.00	02.30.044.00	02.30.044.00	02.30.044.00	02.30.044.00	02.30.044.00
24	Light Socket (Double) with Leads	02.30.045.00	02.30.045.00	02.30.045.00	02.30.045.00	02.30.045.00	02.30.045.00	02.30.045.00	02.30.045.00

Shaded area reflects export models only.

† 120 Volt circuit for light only.

## MOUNTING PARTS OPTIONAL TO ALL MODELS

ITEM	DESCRIPTION	PART NO.	QTY.	ITEM	DESCRIPTION	PART NO.	QTY.
25	S.S. Adjustable Tubular Stand 10"-14" (25-36 cm)	R04.08.047.00	2	29	C-Legs Stands, Standard Watt 10" (25 cm) Clearance for Models Up to 6' (183 cm)	R04.08.043.00	2*
26A	End Cover - Power Supply Adjustable Tubular Stand	04.09.060A.00	1	30	C-Legs Stands, High Watt 13-1/2" (34 cm) Clearance	R04.08.071.00	2*
26B	End Cover - Adjustable Tubular Stand	04.09.060B.00	1	31	T-Leg Stands, Standard Watt 10" (25 cm) Clearance	R04.08.076.00	2*
27	Non-Adjustable Tubular Stand, 10" (25 cm)	R00.05.0020.00	2		T-Leg Stands, High Watt, 13-1/2" (34 cm) Clearance	R04.08.075.00	2*
	Non-Adjustable Tubular Stand, 12" (30 cm)	R00.05.0022.00	2		T-Leg Stands, 16" (41 cm) Clearance	R04.08.074.00	2*
	Non-Adjustable Tubular Stand, 14" (36 cm)	R00.05.0024.00	2		T-Leg Stands, 18" (46 cm) Clearance	R04.08.073.00	2*
	Non-Adjustable Tubular Stand, 16" (41 cm)	R00.05.0026.00	2	32	Adjustable Angle Bracket	04.08.050.00	2
28	End Cover - Non-Adjustable Tubular Stand	04.08.061.00	2	33	Chain #12 Sold By the Foot	05.03.021.00	
					Chain #14 Sold By the Foot	05.03.020.00	

**NOTE:** S.S. is an abbreviation for stainless steel.

\* Available only for 120 Volt units, less than 6' (183 cm) in length with a power cord and plug set attached.

## Heating Elements and Wire Guards for Models GR, GRA, GRAL - Standard Wattage

ITEM	DESCRIPTION	100V	120V	208V	240V	220E	240E	220-230CE	230-240CE
34	18 Element 250 Watt	---	R02.08.031.00	R02.08.040.00	R02.08.035.00	R02.08.037.00	R02.08.035.00	R02.08.037.00	R02.08.035.00
35	18 Element Wire Guard	---	04.08.039.00	04.08.039.00	04.08.039.00	04.08.039.00	04.08.039.00	04.08.039.00	04.08.039.00
34	24 Element 350 Watt	---	R02.08.001.00	R02.08.002.00	R02.08.003.00	R02.08.041.00	R02.08.003.00	R02.08.041.00	R02.08.003.00
35	24 Element Wire Guard	---	04.08.030.00	04.08.030.00	04.08.030.00	04.08.030.00	04.08.030.00	04.08.030.00	04.08.030.00
34	30 Element 450 Watt	---	R02.08.026.00	R02.08.027.00	R02.08.028.00	R02.08.042.00	R02.08.028.00	R02.08.042.00	R02.08.028.00
35	30 Element Wire Guard	---	04.08.029.00	04.08.029.00	04.08.029.00	04.08.029.00	04.08.029.00	04.08.029.00	04.08.029.00
34	36 Element 575 Watt	---	R02.08.004.00	R02.08.005.00	R02.08.006.00	R02.08.043.00	R02.08.006.00	R02.08.043.00	R02.08.006.00
35	36 Element Wire Guard	---	04.08.031.00	04.08.031.00	04.08.031.00	04.08.031.00	04.08.031.00	04.08.031.00	04.08.031.00
34	42 Element 675 Watt	---	R02.08.007.00	R02.08.008.00	R02.08.009.00	R02.08.039.00	R02.08.009.00	R02.08.039.00	R02.08.009.00
35	42 Element Wire Guard	---	04.08.032.00	04.08.032.00	04.08.032.00	04.08.032.00	04.08.032.00	04.08.032.00	04.08.032.00
34	48 Element 800 Watt	---	R02.08.010.00	R02.08.011.00	R02.08.012.00	R02.08.045.00	R02.08.012.00	R02.08.045.00	R02.08.012.00
35	48 Element Wire Guard	---	04.08.033.00	04.08.033.00	04.08.033.00	04.08.033.00	04.08.033.00	04.08.033.00	04.08.033.00
34	54 Element 925 Watt	---	R02.08.025.00	R02.08.029.00	R02.08.030.00	R02.08.046.00	R02.08.030.00	R02.08.046.00	R02.08.030.00
35	54 Element Wire Guard	---	04.08.038.00	04.08.038.00	04.08.038.00	04.08.038.00	04.08.038.00	04.08.038.00	04.08.038.00
34	60 Element 1050 Watt	---	R02.08.013.00	R02.08.014.00	R02.08.015.00	R02.08.047.00	R02.08.015.00	R02.08.047.00	R02.08.015.00
35	60 Element Wire Guard	---	04.08.034.00	04.08.034.00	04.08.034.00	04.08.034.00	04.08.034.00	04.08.034.00	04.08.034.00
34	66 Element 1160 Watt	---	R02.08.032.00	R02.08.033.00	R02.08.034.00	R02.08.048.00	R02.08.034.00	R02.08.048.00	R02.08.034.00
35	66 Element Wire Guard	---	04.08.040.00	04.08.040.00	04.08.040.00	04.08.040.00	04.08.040.00	04.08.040.00	04.08.040.00
34	72 Element 1275 Watts	---	R02.08.016.00	R02.08.017.00	R02.08.018.00	R02.08.049.00	R02.08.018.00	R02.08.049.00	R02.08.018.00
35	72 Element Wire Guard	---	04.08.035.00	04.08.035.00	04.08.035.00	04.08.035.00	04.08.035.00	04.08.035.00	04.08.035.00
34	84 Element 1500 Watt	---	R02.08.019.00	R02.08.020.00	R02.08.021.00	R02.08.050.00	R02.08.021.00	R02.08.050.00	R02.08.021.00
35	84 Element Wire Guard (Female)	---	04.08.036F.00	04.08.036F.00	04.08.036F.00	04.08.036F.00	04.08.036F.00	04.08.036F.00	04.08.036F.00
35	84 Element Wire Guard (Male)	---	04.08.036M.00	04.08.036M.00	04.08.036M.00	04.08.036M.00	04.08.036M.00	04.08.036M.00	04.08.036M.00
34	GRA-84 1350 Watt (Qty. 2)*	---	R02.08.007.00	---	---	---	---	---	---
35	GRA-84 Wire Guard (Qty. 2)*	---	04.08.032.00	---	---	---	---	---	---
34	96 Element 1725 Watt	---	R02.08.022.00	R02.08.023.00	R02.08.024.00	R02.08.051.00	R02.08.024.00	R02.08.051.00	R02.08.024.00
35	96 Element Wire Guard (Female)	---	04.08.037F.00	04.08.037F.00	04.08.037F.00	04.08.037F.00	04.08.037F.00	04.08.037F.00	04.08.037F.00
35	96 Element Wire Guard (Male)	---	04.08.037M.00	04.08.037M.00	04.08.037M.00	04.08.037M.00	04.08.037M.00	04.08.037M.00	04.08.037M.00
34	GRA-96 1600 Watt (Qty. 2)*	---	R02.08.010.00	---	---	---	---	---	---
35	GRA-96 Wire Guard (Qty. 2)*	---	04.08.033.00	---	---	---	---	---	---
	Electrical Diagram	---	HS1-1442	HS1-1442	HS1-1442	HS1-3164	HS1-3165	HS1-4234	HS1-4235

Shaded area reflects export models only.

\*Tandem - Heating elements mounted end to end.

**NOTE:** Model number is the foodwarmer housing length in inches, not the heating element length.

## Heating Elements and Wire Guards for Models GRA and GRAL - Standard Wattage - Tandem Units

ITEM	DESCRIPTION	100V	120V	208V	240V	220E	240E	220-230CE	230-240CE
34	GRA-108 1850 Watt (Qty. 2)⊗	---	R02.08.025.00	R02.08.029.00	R02.08.030.00	R02.08.046.00	R02.08.030.00	---	---
35	GRA-108 Wire Guard (Qty. 2)⊗	---	04.08.038.00	04.08.038.00	04.08.038.00	04.08.038.00	04.08.038.00	---	---
34	GRA-120 2800 Watt (Qty. 2)⊗	---	R02.08.013.00	R02.08.014.00	R02.08.015.00	R02.08.047.00	R02.08.015.00	---	---
35	GRA-120 Wire Guard (Qty. 2)⊗	---	04.08.034.00	04.08.034.00	04.08.034.00	04.08.034.00	04.08.034.00	---	---
34	GRA-132 2320 Watt (Qty.2)⊗	---	R02.08.032.00	R02.08.033.00	R02.08.034.00	R02.08.048.00	R02.08.034.00	---	---
35	GRA-132 Wire Guard (Qty. 2)⊗	---	04.08.040.00	04.08.040.00	04.08.040.00	04.08.040.00	04.08.040.00	---	---
34	GRA-144 2550 Watt (Qty. 2)⊗	---	R02.08.016.00	R02.08.017.00	R02.08.018.00	R02.08.049.00	R02.08.018.00	---	---
35	GRA-144 Wire Guard (Qty. 2)⊗	---	04.08.035.00	04.08.035.00	04.08.035.00	04.08.035.00	04.08.035.00	---	---
	Electrical Diagram	---	HS1-2499	HS1-2499	HS1-2499	HS1-2499	HS1-2499	---	---

Shaded area reflects export models only.

⊗Tandem - Heating elements mounted end to end.

**NOTE:** Model number is the foodwarmer housing length in inches, not the heating element length.

## Heating Elements and Wire Guards for Models GRH, GRAH & GRAHL - High Wattage

ITEM	DESCRIPTION	100V	120V	208V	240V	220E	240E	220-230CE	230-240CE
34	18 Element 350 Watt	R02.08.126.00	R02.08.126.00	R02.08.137.00	R02.08.135.00	R02.08.138.00	R02.08.135.00	R02.08.138.00	R02.08.135.00
35	18 Element Wire Guard	04.08.039.00	04.08.039.00	04.08.039.00	04.08.039.00	04.08.039.00	04.08.089.00	04.08.039.00	04.08.039.00
34	24 Element 500 Watt	R02.08.561.00	R02.08.101.00	R02.08.102.00	R02.08.103.00	R02.08.136.00	R02.08.103.00	R02.08.136.00	R02.08.103.00
35	24 Element Wire Guard	04.08.030.00	04.08.030.00	04.08.030.00	04.08.030.00	04.08.030.00	04.08.030.00	04.08.030.00	04.08.030.00
34	30 Element 660 Watt	R02.08.562.00	R02.08.127.00	R02.08.128.00	R02.08.129.00	R02.08.139.00	R02.08.129.00	R02.08.139.00	R02.08.129.00
35	30 Element Wire Guard	04.08.029.00	04.08.029.00	04.08.029.00	04.08.029.00	04.08.029.00	04.08.029.00	04.08.029.00	04.08.029.00
34	36 Element 800 Watt	R02.08.563.00	R02.08.104.00	R02.08.105.00	R02.08.106.00	R02.08.140.00	R02.08.106.00	R02.08.140.00	R02.08.106.00
35	36 Element Wire Guard	04.08.031.00	04.08.031.00	04.08.031.00	04.08.031.00	04.08.031.00	04.08.031.00	04.08.031.00	04.08.031.00
34	42 Element 950 Watts	R02.08.564.00	R02.08.107.00	R02.08.108.00	R02.08.109.00	R02.08.141.00	R02.08.109.00	R02.08.141.00	R02.08.109.00
35	42 Element Wire Guard	04.08.032.00	04.08.032.00	04.08.032.00	04.08.032.00	04.08.032.00	04.08.032.00	04.08.032.00	04.08.032.00
34	48 Element 1100 Watt	R02.08.566.00	R02.08.110.00	R02.08.111.00	R02.08.112.00	R02.08.142.00	R02.08.112.00	R02.08.142.00	R02.08.112.00
35	48 Element Wire Guard	04.08.033.00	04.08.033.00	04.08.033.00	04.08.033.00	04.08.033.00	04.08.033.00	04.08.033.00	04.08.033.00
34	54 Element 1250 Watt	---	R02.08.125.00	R02.08.130.00	R02.08.131.00	R02.08.143.00	R02.08.131.00	R02.08.143.00	R02.08.131.00
35	54 Element Wire Guard	---	04.08.038.00	04.08.038.00	04.08.038.00	04.08.038.00	04.08.038.00	04.08.038.00	04.08.038.00
34	60 Element 1400 Watt	---	R02.08.113.00	R02.08.114.00	R02.08.115.00	R02.08.144.00	R02.08.115.00	R02.08.144.00	R02.08.115.00
35	60 Element Wire Guard	---	04.08.034.00	04.08.034.00	04.08.034.00	04.08.034.00	04.08.034.00	04.08.034.00	04.08.034.00
34	66 Element 1560 Watt	---	R02.08.132.00	R02.08.133.00	R02.08.134.00	R02.08.145.00	R02.08.134.00	R02.08.145.00	R02.08.134.00
35	66 Element Wire Guard	---	04.08.040.00	04.08.040.00	04.08.040.00	04.08.040.00	04.08.040.00	04.08.040.00	04.08.040.00
34	GRAH-66 1460 Watt*	---	R02.08.104.00	---	---	---	---	---	---
35	GRAH-66 Wire Guard 36" (91 cm)*	---	04.08.031.00	---	---	---	---	---	---
34	GRAH-66 Element 30"*	---	R02.08.127.00	---	---	---	---	---	---
35	GRAH-66 Wire Guard 30" (76 cm)*	---	04.08.029.00	---	---	---	---	---	---
34	72 Element 1725 Watt	---	R02.08.116.00	R02.08.117.00	R02.08.118.00	R02.08.148.00	R02.08.118.00	R02.08.148.00	R02.08.118.00
35	72 Element Wire Guard	---	04.08.035.00	04.08.035.00	04.08.035.00	04.08.035.00	04.08.035.00	04.08.035.00	04.08.035.00
34	GRAH-72 1600 Watt (Qty. 2)*	---	R02.08.104.00	---	---	---	---	---	---
35	GRAH-72 Wire Guard (Qty. 2)*	---	04.08.031.00	---	---	---	---	---	---
34	84 Element 2050 Watt	---	---	R02.08.120.00	R02.08.121.00	R02.08.149.00	R02.08.121.00	R02.08.149.00	R02.08.121.00
35	84 Element Wire Guard (Female)	---	---	04.08.036F.00	04.08.036F.00	04.08.036F.00	04.08.036F.00	04.08.036F.00	04.08.036F.00
35	84 Element Wire Guard (Male)	---	---	04.08.036M.00	04.08.036M.00	04.08.036M.00	04.08.036M.00	04.08.036M.00	04.08.036M.00
34	GRAH-84 1900 Watt (Qty. 2)*	---	R02.08.107.00	---	---	---	---	---	---
35	GRAH-84 Wire Guard (Qty. 2)*	---	04.08.032.00	---	---	---	---	---	---
34	96 Element 2400 Watts	---	---	R02.08.123.00	R02.08.124.00	R02.08.150.00	R02.08.124.00	R02.08.150.00	R02.08.124.00
35	96 Element Wire Guard (Female)	---	---	04.08.037F.00	04.08.037F.00	04.08.037F.00	04.08.037F.00	04.08.037F.00	04.08.037F.00
35	96 Element Wire Guard (Male)	---	---	04.08.037M.00	04.08.037M.00	04.08.037M.00	04.08.037M.00	04.08.037M.00	04.08.037M.00
34	GRAH-96 2200 Watt (Qty. 2)*	---	R02.08.110.00	---	---	---	---	---	---
35	GRAH-96 Wire Guard (Qty. 2)*	---	04.08.033.00	---	---	---	---	---	---
	Electrical Diagram	---	HS1-1442	HS1-1442	HS1-1442	HS1-3164	HS1-3165	HS1-4234	HS1-4235

Shaded area reflects export models only. **NOTE:** Model number is the foodwarmer housing length in inches, not the heating element length. \*Tandem - Heating elements mounted end to end.

### Heating Elements and Wire Guards for Models GRAH and GRAHL - High Wattage - Tandem Units

ITEM	DESCRIPTION	100V	120V	208V	240V	220E	240E	220-230CE	230-240CE
34	96 2200 Watt (Qty. 2)✘	---	R02.08.110.00	R02.08.111.00	R02.08.112.00	02.08.142.00	R02.08.112.00	---	---
35	96 Wire Guard (Qty. 2)✘	---	04.08.033.00	04.08.033.00	04.08.033.00	04.08.033.00	04.08.033.00	---	---
34	108 2500 Watt (Qty. 2)✘	---	R02.08.125.00	R02.08.130.00	R02.08.131.00	R02.08.143.00	R02.08.131.00	---	---
35	108 Wire Guard (Qty. 2)✘	---	04.08.038.00	04.08.038.00	04.08.038.00	04.08.038.00	04.08.038.00	---	---
34	120 2800 Watt (Qty.2)✘	---	R02.08.113.00	R02.08.114.00	R02.08.115.00	R02.08.144.00	R02.08.115.00	---	---
35	120 Wire Guard (Qty. 2)✘	---	04.08.034.00	04.08.034.00	04.08.034.00	04.08.034.00	04.08.034.00	---	---
34	132 3120 Watt (Qty. 2)✘	---	R02.08.132.00	R02.08.133.00	R02.08.134.00	R02.08.145.00	R02.08.134.00	---	---
35	132 Wire Guard (Qty. 2)✘	---	04.08.040.00	04.08.040.00	04.08.040.00	04.08.040.00	04.08.040.00	---	---
34	144 3450 Watt (Qty. 2)✘	---	R02.08.116.00	R02.08.117.00	R02.08.118.00	R02.08.148.00	R02.08.118.00	---	---
35	144 Wire Guard (Qty. 2)✘	---	04.08.035.00	04.08.035.00	04.08.035.00	04.08.035.00	04.08.035.00	---	---
	Electrical Diagram	---	HS1-3059	HS1-3059	HS1-3059	HS1-3059	HS1-3059	---	---

Shaded area reflects export models only.

✘Tandem - Heating elements mounted end to end.

**NOTE:** Model number is the foodwarmer housing length in inches, not the heating element length.

### Breath Protectors For All GRA, GRAL, GRAH, GRAHL Models (Not Retrofittable)

ITEM	DESCRIPTION	PART NO.	QTY.	ITEM	DESCRIPTION	PART NO.	QTY.
36	Model 18	R00.05.0100.00	1-2	36	Model 54	R04.12.045.00	1-2
36	Model 24	R04.12.040.00	1-2	36	Model 60	R04.12.046.00	1-2
36	Model 30	R04.12.041.00	1-2	36	Model 66	R04.12.047.00	1-2
36	Model 36	R04.12.042.00	1-2	36	Model 72	R04.12.048.00	1-2
36	Model 42	R04.12.043.00	1-2	36	Model 84	R04.12.061.00	1-2
36	Model 48	R04.12.044.00	1-2	36	Model 96	R04.12.062.00	1-2

**NOTE:** Not available for GR or GRH Models.

**NOTE:** Replacement breath protectors include all mounting hardware.





**NOTES**

---

---

---

---

---

---

---

---

---

---

---

---

---

---

---

---

---

---

---

---

---

---

---

---

---

---

---

---

---

---

**NOTES**

---

---

---

---

---

---

---

---

---

---

---

---

---

---

---

---

---

---

---

---

---

---

---

---

---

## HATCO AUTHORIZED PARTS DISTRIBUTORS

---

### ALABAMA

Jones McLeod Appl. Svc.  
Birmingham 205-251-0159

### ARIZONA

Auth. Comm. Food Equip.  
Phoenix 602-234-2443  
Byassee Equipment Co.  
Phoenix 602-252-0402

### CALIFORNIA

Industrial Electric  
Huntington Beach 714-379-7100  
Chapman Appl. Service  
San Diego 619-298-7106  
P & D Appliance  
S. San Francisco 650-635-1900

### COLORADO

All City Service  
Denver 303-454-9500  
Hawkins Commercial Appliance  
Englewood 303-781-5548

### DELAWARE

Food Equipment Service  
Wilmington 302-996-9363

### FLORIDA

Whaley Foodservice Repair  
Jacksonville 904-725-7800  
Nass Service Co., Inc.  
Orlando 407-425-2681  
B.G.S.I.  
Pompano Beach 954-971-0456  
Comm. Appliance Service  
Tampa 813-663-0313

### GEORGIA

Southeastern Rest. Svc.  
Norcross 770-446-6177

### HAWAII

Burney's Comm. Service, Inc.  
Honolulu 808-848-1466  
Food Equip Parts & Service  
Honolulu 808-847-4871

### ILLINOIS

Parts Town  
Broadview 708-865-7278  
Eichenauer Elec. Service  
Decatur 217-429-4229  
Midwest Elec. Appl. Service  
Elmhurst 630-279-8000  
Cone's Repair Service  
Moline 309-797-5323

### INDIANA

Comm. Parts & Service, Inc.  
Indianapolis 317-545-9655

### IOWA

Electric Motor Service Co.  
Davenport 319-323-1823

### KENTUCKY

Comm. Parts & Service, Inc.  
Louisville 502-367-1788

### LOUISIANA

Chandlers Parts & Service  
Baton Rouge 225-272-6620

### LOUISIANA (Continued)

Bana Comm. Parts, Inc.  
Shreveport 318-631-6550

### MARYLAND

Electric Motor Service  
Baltimore 410-467-8080  
GCS Service, Inc.  
Silver Spring 301-585-7550

### MASSACHUSETTS

Ace Service Co., Inc.  
Needham 781-449-4220

### MICHIGAN

Commercial Kitchen Service  
Bay City 517-893-4561  
Bildons Appliance Service  
Detroit 248-478-3320  
Midwest Food Equip. Service  
Grandville 616-261-2000

### MINNESOTA

GCS Service  
Minneapolis 612-546-4221

### MISSOURI

GCS Service, Inc.  
Kansas City 816-920-5999  
Commercial Kitchen Services  
St. Louis 314-890-0700  
Kaemmerlen Parts & Service  
St. Louis 314-535-2222

### NEBRASKA

Anderson Electric  
Omaha 402-341-1414

### NEVADA

Burney's Commercial  
Las Vegas 702-736-0006  
Hi. Tech Commercial Service  
N. Las Vegas 702-649-4616

### NEW JERSEY

Jay Hill Repair  
Fairfield 973-575-9145  
Service Plus  
Flanders 973-691-6300

### NEW YORK

Acme American Repairs, Inc.  
Brooklyn 718-456-6544  
Alpro Service Co.  
Brooklyn 718-386-2515  
Appliance Installation  
Buffalo 716-884-7425  
Northern Parts Dist.  
Plattsburgh 518-563-3200  
J. B. Brady, Inc.  
Syracuse 315-422-9271

### NORTH CAROLINA

Authorized Appliance  
Charlotte 704-377-4501

### OHIO

Akron/Canton Comm. Svc. Inc.  
Akron 330-753-6635  
Certified Service Center  
Cincinnati 513-772-6600  
GCS Service  
Columbus 614-476-3225

### OHIO (Continued)

Electrical Appl. Repair Service  
Independence 216-459-8700  
E. A. Wichman Co.  
Toledo 419-385-9121

### OKLAHOMA

Hagar Rest. Service, Inc.  
Oklahoma City 405-235-2184  
Krueger, Inc.  
Oklahoma City 405-528-8883

### OREGON

Bressie Electric Co.  
Portland 503-231-7171  
Ron's Service, Inc.  
Portland 503-624-0890

### PENNSYLVANIA

Authorized Factory Service  
Coraopolis 412-262-2330  
FAST Comm. Appl. Service  
Philadelphia 215-288-4800

GCS Service, Inc.  
Pittsburgh 412-787-1970

K & D Service Co.  
Harrisburg 717-236-9039

Elmer Schultz Services  
Philadelphia 215-627-5401

Electric Repair Co.  
Reading 610-376-5444

### RHODE ISLAND

Marshall Electric Co.  
Providence 401-331-1163

### SOUTH CAROLINA

Whaley Foodservice Repair  
W. Columbia 803-791-4420

### TENNESSEE

Camp Electric  
Memphis 901-527-7543

### TEXAS

City Kitchen Service Co.  
Austin 512-719-4445

Stove Parts Supply  
Fort Worth 817-831-0381

Armstrong Repair Service  
Houston 713-666-7100

Commercial Kitchen Repair Co.  
San Antonio 210-735-2811

San Antonio Rest. Equip.  
San Antonio 210-532-1660

### UTAH

Peterson's Commercial Parts & Svc.  
Salt Lake City 801-487-3653

### VIRGINIA

Daubers  
Norfolk 757-855-4097

Daubers  
Springfield 703-866-3600

### WASHINGTON

Restaurant Appl. Service  
Seattle 206-524-8200

### WISCONSIN

A.S.C., Inc.  
Madison 608-246-3160

A.S.C., Inc.  
Milwaukee 414-543-6460

---

## HATCO CORPORATION

P.O. Box 340500, Milwaukee, WI 53234-0500 U.S.A.

(800) 558-0607 (414) 671-6350

Parts & Service Fax (800) 690-2966 Int'l. Fax (414) 671-3976

www.hatcocorp.com