

hatcocorp.com

Register Online!
(see page 2)

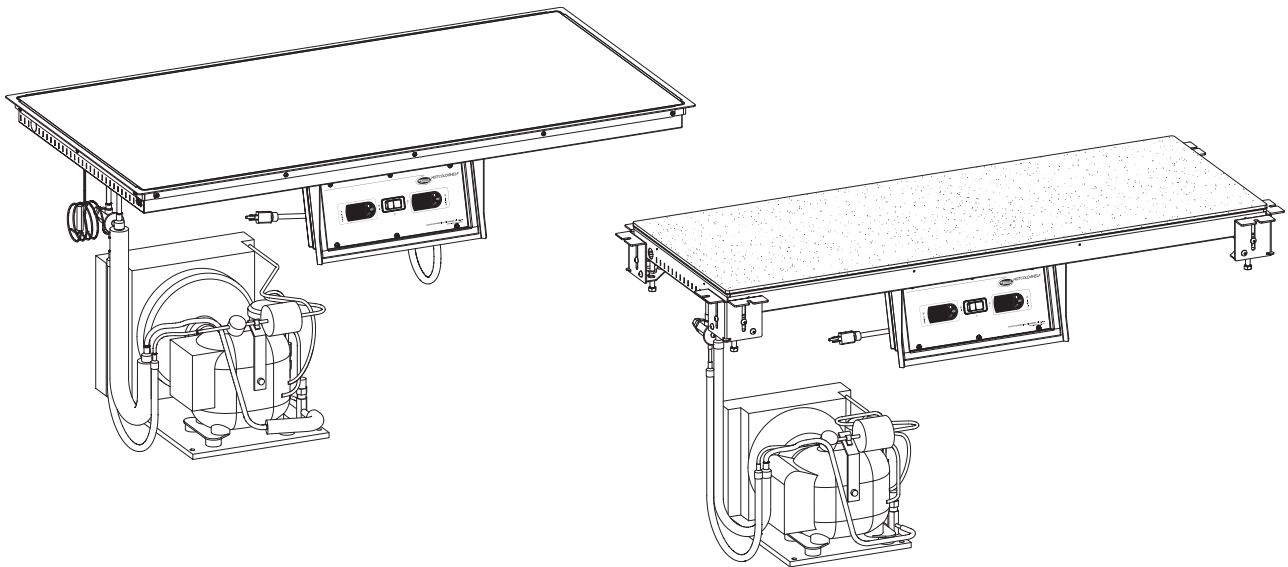
S'inscrire en ligne!
(voir page 22)



Hot/Cold Built-In Shelves Plaques chauffantes/réfrigérantes encastrables

HCSBF, HCSSB, and HCSSBF Series/Série

Installation and Operating Manual Manuel d'installation et d'utilisation



⚠ WARNING

Do not operate this equipment unless you have read and understood the contents of this manual! Failure to follow the instructions contained in this manual may result in serious injury or death. This manual contains important safety information concerning the maintenance, use, and operation of this product. If you're unable to understand the contents of this manual, please bring it to the attention of your supervisor. Keep this manual in a safe location for future reference.

English = p 2

⚠ ADVERTENCIA

No opere este equipo al menos que haya leído y comprendido el contenido de este manual! Cualquier falla en el seguimiento de las instrucciones contenidas en este manual puede resultar en un serio lesión o muerte. Este manual contiene importante información sobre seguridad concerniente al mantenimiento, uso y operación de este producto. Si usted no puede entender el contenido de este manual por favor pregunte a su supervisor. Almacenar este manual en una localización segura para la referencia futura.

⚠ AVERTISSEMENT

Ne pas utiliser cet équipement sans avoir lu et compris le contenu de ce manuel ! Le non-respect des instructions contenues dans ce manuel peut entraîner de graves blessures ou la mort. Ce manuel contient des informations importantes concernant l'entretien, l'utilisation et le fonctionnement de ce produit. Si vous ne comprenez pas le contenu de ce manuel, veuillez le signaler à votre supérieur. Conservez ce manuel dans un endroit sûr pour pouvoir vous y référer plus tard.

Français = p 22

Important Owner Information	2	Operation	16
Introduction	2	General	16
Important Safety Information	3	Hot Operation (HOT Mode)	16
Model Designation	4	Cold Operation (COLD Mode)	16
Model Description	5	Changing the Setpoint Temperature	17
Specifications	6	Setting the Auto-Defrost Cycle (COLD Mode).....	17
Plug Configuration	6	Maintenance	18
Refrigerant Information	6	General	18
Electrical Rating Charts	6	Daily Cleaning.....	18
Dimensions	8	Cleaning the Stone Surface (HCSSB and HCSSBF Models).....	18
Installation	11	Cleaning the Condensing Unit.....	19
General	11	Troubleshooting Guide	19
Preparing the Installation Site	11	HOT Mode Troubleshooting.....	19
Installing a Top Mounted Unit (HCSBF Models).....	12	COLD Mode Troubleshooting	20
Countertop Cutout Dimensions (HCSBF Models)	12	Options and Accessories	21
Installing a Bottom Mounted Unit (HCSSB and HCSSBF Models).....	13	Limited Warranty	21
Installing the Control Enclosure Remotely.....	14	Authorized Parts Distributors	Back Cover
Countertop Cutout and Mounting Bolt Dimensions (HCSSB and HCSSBF Models).....	15		

IMPORTANT OWNER INFORMATION

Record the model number, serial number, voltage, and purchase date of the unit in the spaces below (specification label located on the side of the control enclosure). Please have this information available when calling Hatco for service assistance.

Model No. _____

Serial No. _____

Voltage _____

Date of Purchase _____

Register your unit!

Completing online warranty registration will prevent delay in obtaining warranty coverage. Access the Hatco website at www.hatcocorp.com, select the *Parts & Service* pull-down menu, and click on "Warranty Registration".

Business Hours: 7:00 AM to 5:00 PM Central Standard Time (CST)
(Summer Hours: June to September—
7:00 AM to 5:00 PM CST Monday–Thursday
7:00 AM to 4:00 PM CST Friday)

Telephone: 800-558-0607; 414-671-6350

e-mail: partsandservice@hatcocorp.com



24 Hour 7 Day Parts and Service Assistance available in the United States and Canada by calling 800-558-0607.

Additional information can be found by visiting our web site at www.hatcocorp.com.

INTRODUCTION

Hatco Hot/Cold Built-In Shelves are specially designed to hold either heated foods or chilled foods at safe serving temperatures. The insulated, top mount or bottom mount units are available in several sizes.

Hatco Hot/Cold Built-In Shelves are products of extensive research and field testing. The materials used were selected for maximum durability, attractive appearance, and optimum performance. Every unit is inspected and tested thoroughly prior to shipment.

This manual provides the installation, safety, and operating instructions for Hot/Cold Built-In Shelves. Hatco recommends all installation, operating, and safety instructions appearing in this manual be read prior to installation or operation of the unit.

Safety information that appears in this manual is identified by the following signal word panels:



WARNING indicates a hazardous situation which, if not avoided, could result in death or serious injury.



CAUTION indicates a hazardous situation which, if not avoided, could result in minor or moderate injury.



NOTICE is used to address practices not related to personal injury.



Read the following important safety information before using this equipment to avoid serious injury or death and to avoid damage to equipment or property.

WARNING

ELECTRIC SHOCK HAZARD:

- Plug unit into a properly grounded electrical receptacle of the correct voltage, size, and plug configuration. If plug and receptacle do not match, contact a qualified electrician to determine and install proper voltage and size electrical receptacle.
- Turn OFF power switch, unplug power cord, and allow unit to cool before performing any cleaning, adjustments, or maintenance.
- Unit is not weatherproof. Locate unit indoors.
- Control enclosure must be mounted in a vertical surface. Mounting control enclosure in a horizontal surface may result in the collection of liquids and lead to electric shock.
- DO NOT submerge or saturate with water. Unit is not waterproof. Do not operate if unit has been submerged or saturated with water.
- Do not clean unit when it is energized or hot.
- This unit is not “jet-proof” construction. Do not use jet-clean spray to clean this unit.
- Discontinue use if power cord is frayed or worn.
- Do not attempt to repair or replace a damaged power cord. Cord must be replaced by an Authorized Hatco Service Agent or a person with similar qualifications.
- This unit must be serviced by qualified personnel only. Service by unqualified personnel may lead to electric shock or burn.
- Use only Genuine Hatco Replacement Parts when service is required. Failure to use Genuine Hatco Replacement Parts will void all warranties and may subject operators of the equipment to hazardous electrical voltage, resulting in electrical shock or burn. Genuine Hatco Replacement Parts are specified to operate safely in the environments in which they are used. Some aftermarket or generic replacement parts do not have the characteristics that will allow them to operate safely in Hatco equipment.

FIRE HAZARD:

- Install condensing unit with a minimum of 6" (152 mm) of space between all sides of unit and any combustible surfaces.
- Do not use flammable cleaning solutions to clean this unit.

EXPLOSION HAZARD: Do not store or use gasoline or other flammable vapors or liquids in the vicinity of this or any other appliance.

Make sure food product has been heated/chilled to proper food-safe temperature before placing on unit. Failure to heat/chill food product properly may result in serious health risks. This unit is for holding pre-heated/pre-chilled food product only.

Hatco Corporation is not responsible for actual food product serving temperature. It is the responsibility of the user to ensure that food product is held and served at a safe temperature.

WARNING

Maintain proper cleanliness of unit. Proper cleanliness and sanitation is critical for food-safe operation. Refer to the MAINTENANCE section for cleaning procedures.

Do not place food product directly onto hardcoat surface. Food product must be wrapped, boxed, or on a food pan.

Make sure all operators have been instructed on the safe and proper use of unit.

This unit is not intended for use by children or persons with reduced physical, sensory, or mental capabilities. Ensure proper supervision of children and keep them away from unit.

This unit has no “user-serviceable” parts. If service is required on this unit, contact an Authorized Hatco Service Agent or contact the Hatco Service Department at 800-558-0607 or 414-671-6350.

CAUTION

BURN HAZARD: Some exterior surfaces on unit will get hot. Avoid unnecessary contact with unit.

Locate unit at proper counter height in an area that is convenient for use. The location should be strong enough to support the weight of unit and contents.

DO NOT tip unit/mounting surface after final installation. Unit is free-floating and could fall out if tipped—for permanent, horizontal installations only.

Make sure to clean and sanitize stone surface properly after deep cleaning the surface using abrasives and before placing food product on unit.

NOTICE

This unit is designed for use in environments where ambient temperature is between 65°F (18°C) and 86°F (30°C).

When shipped during cold weather months, store unit for at least 10 hours in an environment where ambient temperature is between 65°F (18°C) and 86°F (30°C) to prevent compressor and/or refrigerant line damage. If unit is turned on and there is excessive noise and vibration, turn off immediately and allow additional warmup time.

Provide louvered or grill-style openings with a minimum size of 12" x 12"/144 square inches (31 x 31 cm/ 961 square cm) in the cabinetry in front of and behind the condensing unit for proper ventilation. Failure to provide adequate air flow through the condensing unit may cause unit failure and will void the unit warranty.

Do not recirculate exhaust air inside cabinet when multiple condensing units are installed together. Intake air should enter from outside of cabinet.

Transport and install unit in upright position only. Failure to do so may result in damage to refrigeration system.

NOTICE

Use caution and avoid hitting condensing unit hoses/lines when installing unit. Damage caused during installation is not covered under warranty.

Do not locate unit in area with excessive air movement around unit. Avoid areas that may be subject to active air movements or currents (i.e., near exhaust fans/hoods, air conditioning ducts, and exterior doors).

Do not locate unit in an area subject to excessive temperatures or grease from grills, fryers, etc. Excessive temperatures could cause damage to unit.

Damage to any countertop material caused by heat or cold generated from Hatco equipment is not covered under the Hatco warranty. Contact manufacturer of countertop material for application information.

NOTICE

Use non-abrasive cleaners and cloths only. Abrasive cleaners and cloths could scratch finish of unit, marring its appearance and making it susceptible to soil accumulation.

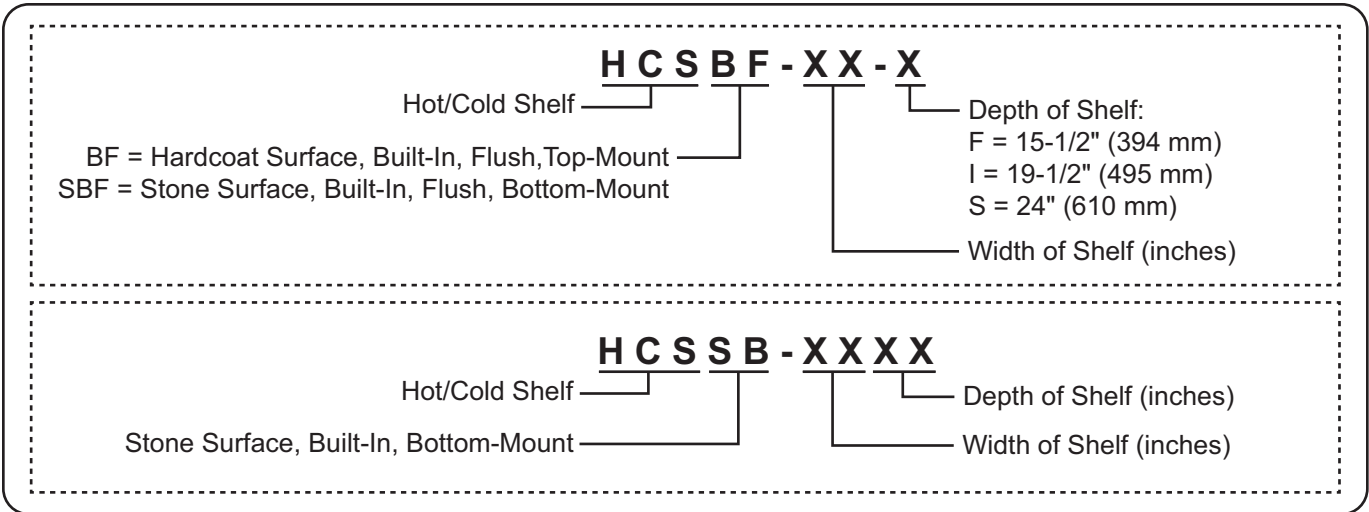
Do not use steel wool for cleaning. Steel wool will scratch the finish.

Do not use harsh chemicals such as bleach, cleaners containing bleach, or oven cleaners to clean this unit.

Clean unit daily to avoid malfunctions and maintain sanitary operation.

This unit is intended for commercial use only—NOT for household use.

MODEL DESIGNATION



All Models

Hatco Hot/Cold Built-In Shelves are reliable and versatile. Each unit has an insulated, stainless steel and aluminized steel housing. For hot operation, a surface-mounted, rope-style heating element distributes heat evenly under the entire hardcoat aluminum or stone surface. For cold operation, a copper evaporator coil wound under the entire hardcoat aluminum or stone surface provides even chilling from edge to edge. A condensing unit is connected to the evaporator coil with a flexible tubing assembly. Hatco Hot/Cold Built-In Shelves are designed, manufactured, and tested to maintain safe food holding temperatures.

Controls for the Hot/Cold Built-In Shelves are housed in a single, remote-mountable control enclosure. They include a three position Power Switch and two digital temperature controllers. The control enclosure is connected to the condensing unit with a 4' (1219 mm) power cord and to the heating element with a 4' (1219 mm) conduit assembly.

Depending on the model, Hot/Cold Built-In Shelves are designed to be mounted to either the topside or bottomside of various types of countertop material including stainless steel, wood, Corian, and Swanstone.

The **ecoization** logo identifies products designed to reflect Hatco's commitment to improving, protecting, and preserving the global environment. Hatco Hot/Cold Built-In Shelves qualify for the **ecoization** logo through the use of eco-friendly insulation as well as a highly efficient condensing unit.

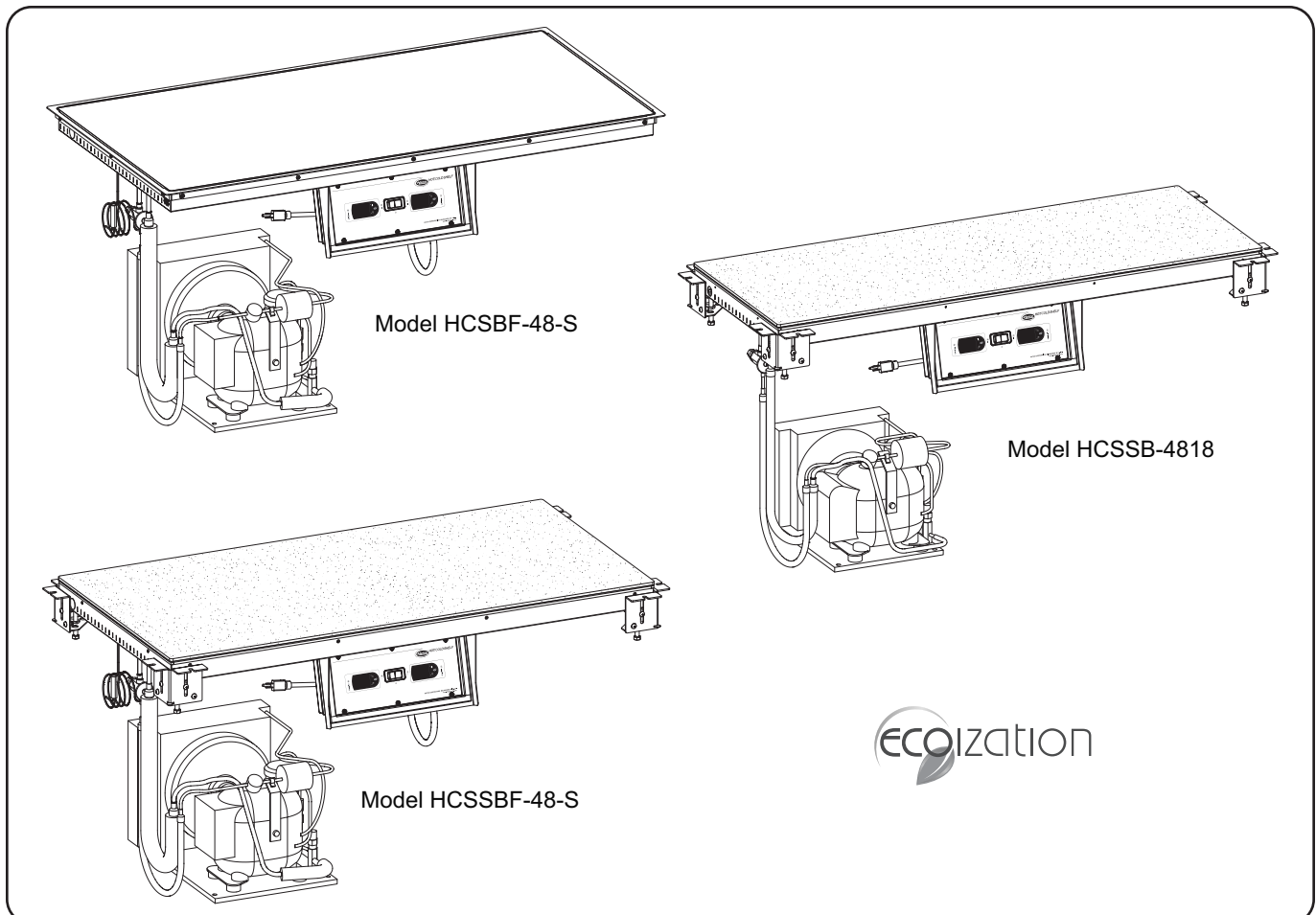
HCSBF Models

HCSBF models have a hardcoat aluminum surface and are top mounted.

HCSSB and HCSSBF Models

HCSSB and HCSSBF models have a decorative stone surface and are bottom mounted.

NOTE: Stone surfaces are a simulated stone solid surface.



Hot/Cold Shelf Models

SPECIFICATIONS

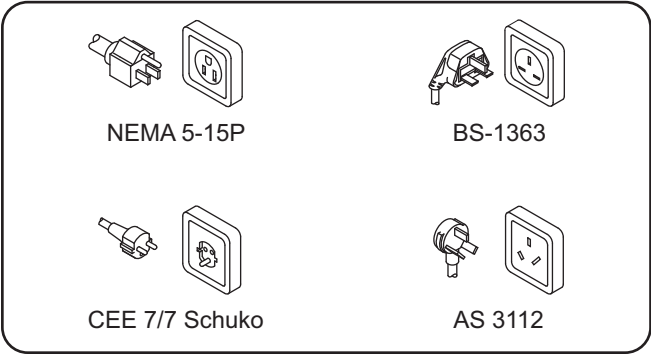
Plug Configuration

Units are supplied from the factory with an electrical cord and plug installed. Plugs are supplied according to the application.



ELECTRIC SHOCK HAZARD: Plug unit into a properly grounded electrical receptacle of the correct voltage, size, and plug configuration. If plug and receptacle do not match, contact a qualified electrician to determine and install proper voltage and size electrical receptacle.

NOTE: Receptacle not supplied by Hatco.



Plug Configuration

Refrigerant Information

All Hatco Hot/Cold Built-In Shelves use R404A refrigerant in the condenser unit.

NOTE: The specification labels are located on the side of the control enclosure. See the label for the serial number and verification of unit electrical information.

Electrical Rating Chart — HCSBF Models

Model	Comp. Size	Volts	Watts	Hot Side Watts	Amps	Design Pressure		Plug Configuration	Shipping Weight
						High Side	Low Side		
HCSBF-24-F	1/4 hp	120	804	355	6.7	373 psig (25.72 bar)	174 psig (12 bar)	NEMA 5-15P	110 lbs. (50 kg)
	1/3 hp	220-240	616-744	325-387	2.8-3.1	373 psig (25.72 bar)	174 psig (12 bar)	BS-1363, CEE 7/7, AS 3112	110 lbs. (50 kg)
HCSBF-24-I	1/4 hp	120	804	445	6.7	373 psig (25.72 bar)	174 psig (12 bar)	NEMA 5-15P	126 lbs. (57 kg)
	1/3 hp	220-240	616-744	407-485	2.8-3.1	373 psig (25.72 bar)	174 psig (12 bar)	BS-1363, CEE 7/7, AS 3112	126 lbs. (57 kg)
HCSBF-24-S	1/4 hp	120	804	550	6.7	373 psig (25.72 bar)	174 psig (12 bar)	NEMA 5-15P	142 lbs. (64 kg)
	1/3 hp	220-240	616-744	503-599	2.8-3.1	373 psig (25.72 bar)	174 psig (12 bar)	BS-1363, CEE 7/7, AS 3112	142 lbs. (64 kg)
HCSBF-36-F	1/4 hp	120	804	530	6.7	373 psig (25.72 bar)	174 psig (12 bar)	NEMA 5-15P	138 lbs. (63 kg)
	1/3 hp	220-240	616-744	485-577	2.8-3.1	373 psig (25.72 bar)	174 psig (12 bar)	BS-1363, CEE 7/7, AS 3112	138 lbs. (63 kg)
HCSBF-36-I	1/3 hp	120	1044	670	8.7	423 psig (29.16 bar)	174 psig (12 bar)	NEMA 5-15P	157 lbs. (71 kg)
HCSBF-36-S	1/3 hp	120	1044	825	8.7	423 psig (29.16 bar)	174 psig (12 bar)	NEMA 5-15P	186 lbs. (84 kg)
HCSBF-48-F	1/3 hp	120	1044	710	8.7	423 psig (29.16 bar)	174 psig (12 bar)	NEMA 5-15P	165 lbs. (75 kg)
HCSBF-48-I	1/3 hp	120	1044	890	8.7	423 psig (29.16 bar)	174 psig (12 bar)	NEMA 5-15P	198 lbs. (90 kg)
HCSBF-48-S	1/2 hp	120	1380	1100	11.5	331 psig (22.82 bar)	174 psig (12 bar)	NEMA 5-15P	204 lbs. (93 kg)

NOTE: Shipping weight includes packaging.

NOTE: Shipping weights are estimated.

Electrical Rating Chart — HCSSB Models

Model	Comp. Size	Volts	Watts	Hot Side Watts	Amps	Design Pressure High Side	Design Pressure Low Side	Plug Configuration	Shipping Weight
HCSSB-2418	1/4 hp	120	804	405	6.7	373 psig (25.72 bar)	174 psig (12 bar)	NEMA 5-15P	120 lbs. (54 kg)
HCSSB-3018	1/4 hp	120	804	510	6.7	373 psig (25.72 bar)	174 psig (12 bar)	NEMA 5-15P	150 lbs. (68 kg)
HCSSB-3618	1/4 hp	120	804	610	6.7	373 psig (25.72 bar)	174 psig (12 bar)	NEMA 5-15P	170 lbs. (77 kg)
HCSSB-4818	1/3 hp	120	1044	815	8.7	423 psig (29.16 bar)	174 psig (12 bar)	NEMA 5-15P	195 lbs. (88 kg)

Electrical Rating Chart — HCSSBF Models

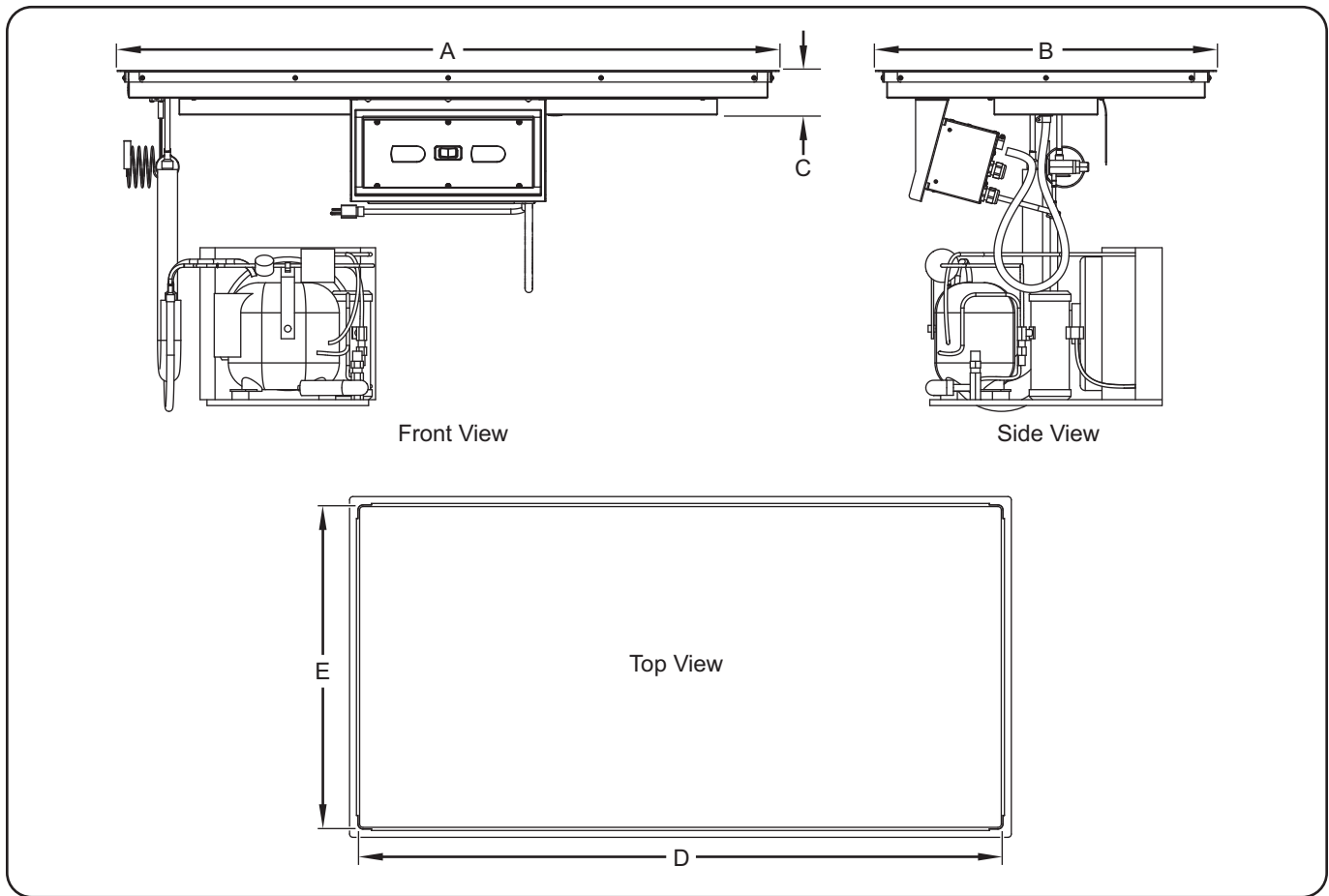
Model	Comp. Size	Volts	Watts	Hot Side Watts	Amps	Design Pressure High Side	Design Pressure Low Side	Plug Configuration	Shipping Weight
HCSSBF-24-F	1/4 hp	120	804	355	6.7	373 psig (25.72 bar)	174 psig (12 bar)	NEMA 5-15P	115 lbs. (52 kg)
	1/3 hp	220-240	616-744	325-387	2.8-3.1	373 psig (25.72 bar)	174 psig (12 bar)	BS-1363, CEE 7/7, AS 3112	115 lbs. (52 kg)
HCSSBF-24-I	1/4 hp	120	804	445	6.7	373 psig (25.72 bar)	174 psig (12 bar)	NEMA 5-15P	131 lbs. (59 kg)
	1/3 hp	220-240	616-744	407-485	2.8-3.1	373 psig (25.72 bar)	174 psig (12 bar)	BS-1363, CEE 7/7, AS 3112	131 lbs. (59 kg)
HCSSBF-24-S	1/4 hp	120	804	550	6.7	373 psig (25.72 bar)	174 psig (12 bar)	NEMA 5-15P	150 lbs. (68 kg)
	1/3 hp	220-240	616-744	503-599	2.8-3.1	373 psig (25.72 bar)	174 psig (12 bar)	BS-1363, CEE 7/7, AS 3112	150 lbs. (68 kg)
HCSSBF-36-F	1/4 hp	120	804	530	6.7	373 psig (25.72 bar)	174 psig (12 bar)	NEMA 5-15P	146 lbs. (66 kg)
	1/3 hp	220-240	616-744	485-577	2.8-3.1	373 psig (25.72 bar)	174 psig (12 bar)	BS-1363, CEE 7/7, AS 3112	146 lbs. (66 kg)
HCSSBF-36-I	1/3 hp	120	1044	670	8.7	423 psig (29.16 bar)	174 psig (12 bar)	NEMA 5-15P	167 lbs. (76 kg)
HCSSBF-36-S	1/3 hp	120	1044	825	8.7	423 psig (29.16 bar)	174 psig (12 bar)	NEMA 5-15P	198 lbs. (90 kg)
HCSSBF-48-F	1/3 hp	120	1044	710	8.7	423 psig (29.16 bar)	174 psig (12 bar)	NEMA 5-15P	175 lbs. (79 kg)
HCSSBF-48-I	1/3 hp	120	1044	890	8.7	423 psig (29.16 bar)	174 psig (12 bar)	NEMA 5-15P	214 lbs. (97 kg)
HCSSBF-48-S	1/2 hp	120	1380	1100	11.5	331 psig (22.82 bar)	174 psig (12 bar)	NEMA 5-15P	220 lbs. (100 kg)

NOTE: Shipping weight includes packaging.

NOTE: Shipping weights are estimated.

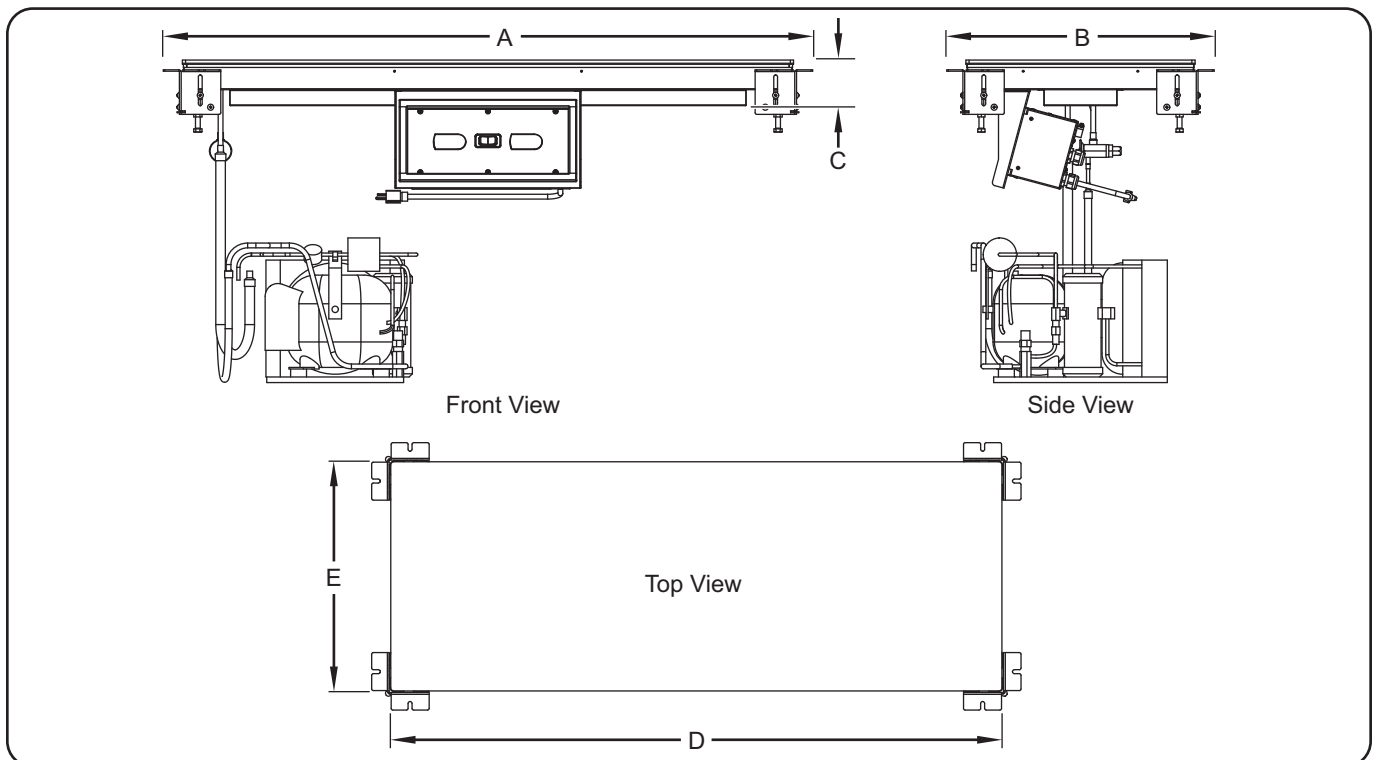
Dimensions — HCSBF Models

Model	Width (A)	Depth (B)	Height (C)	Heated/Cooled Width (D)	Heated/Cooled Depth (E)
HCSBF-24-F	25-1/2" (648 mm)	17" (432 mm)	3-5/16" (84 mm)	24" (610 mm)	15-1/2" (394 mm)
HCSBF-24-I		21" (533 mm)			19-1/2" (495 mm)
HCSBF-24-S		25-1/2" (648 mm)			24" (610 mm)
HCSBF-36-F	37-1/2" (953 mm)	17" (432 mm)		36" (914 mm)	15-1/2" (394 mm)
HCSBF-36-I		21" (533 mm)			19-1/2" (495 mm)
HCSBF-36-S		25-1/2" (648 mm)			24" (610 mm)
HCSBF-48-F	49-1/2" (1257 mm)	17" (432 mm)		48" (1219 mm)	15-1/2" (394 mm)
HCSBF-48-I		21" (533 mm)			19-1/2" (495 mm)
HCSBF-48-S		25-1/2" (648 mm)			24" (610 mm)



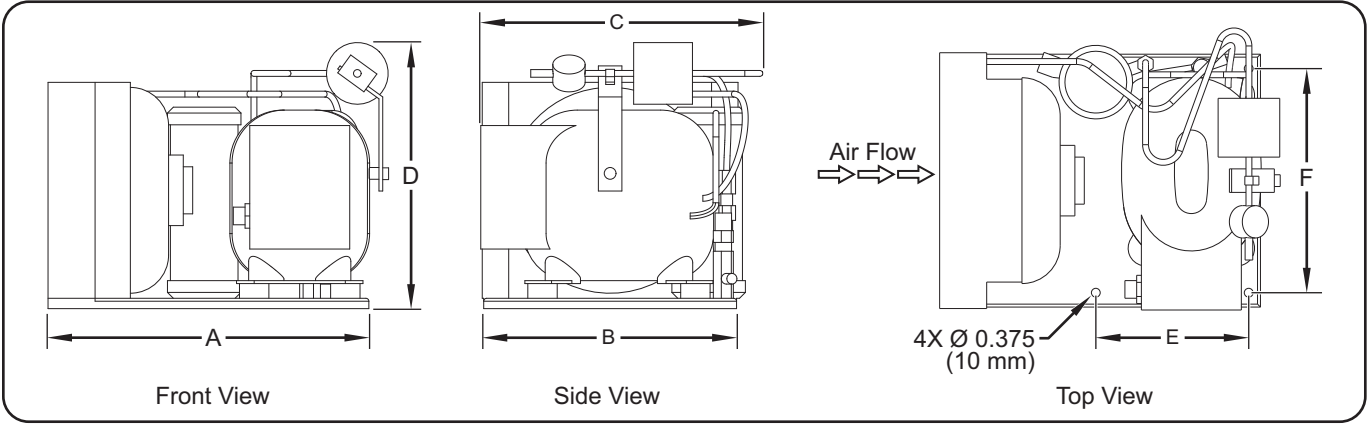
Dimensions — HCSSB and HCSSBF Models

Model	Width (A)	Depth (B)	Height (C)	Heated/Cooled Width (D)	Heated/Cooled Depth (E)
HCSSB-2418	27" (686 mm)	21" (533 mm)	3-5/8" (92 mm)	24" (610 mm)	18" (457 mm)
HCSSB-3018	33" (838 mm)			30" (762 mm)	
HCSSB-3618	39" (991 mm)			36" (914 mm)	
HCSSB-4818	51" (1295 mm)			48" (1219 mm)	
HCSSBF-24-F	27" (686 mm)	18-1/2" (470 mm)	3-5/8" (92 mm)	24" (610 mm)	15-1/2" (394 mm)
HCSSBF-24-I		22-1/2" (572 mm)			19-1/2" (495 mm)
HCSSBF-24-S		27" (686 mm)			24" (610 mm)
HCSSBF-36-F	39" (991 mm)	18-1/2" (470 mm)	3-5/8" (92 mm)	36" (914 mm)	15-1/2" (394 mm)
HCSSBF-36-I		22-1/2" (572 mm)			19-1/2" (495 mm)
HCSSBF-36-S		27" (686 mm)			24" (610 mm)
HCSSBF-48-F	51" (1295 mm)	18-1/2" (470 mm)	3-5/8" (92 mm)	48" (1219 mm)	15-1/2" (394 mm)
HCSSBF-48-I		22-1/2" (572 mm)			19-1/2" (495 mm)
HCSSBF-48-S		27" (686 mm)			24" (610 mm)



Dimensions — Condensing Unit

Compressor Size	Base Width (A)	Base Depth (B)	Overall Depth (C)	Height (D)	Mounting Hole Width (E)	Mounting Hole Depth (F)
1/4 hp 1/3 hp	13-11/16" (347 mm)	10-3/4" (273 mm)	12" (305 mm)	11-3/8" (289 mm)	6-1/2" (165 mm)	9-9/16" (242 mm)
1/2 hp	17-3/8" (441 mm)	12-1/8" (307 mm)	13-1/8" (334 mm)	11-13/16" (300 mm)	10" (254 mm)	11-1/4" (286 mm)



Dimensions — Condensing Unit

General

Hot/Cold Built-In Shelves are shipped from the factory completely assembled and ready for use. Use the following information and procedures to prepare the unit and the installation site.

NOTE: Make sure the installation location provides enough room for the condensing unit and the remote mounted control enclosure.



WARNING

ELECTRIC SHOCK HAZARD:

- Plug unit into a properly grounded electrical receptacle of the correct voltage, size, and plug configuration. If plug and receptacle do not match, contact a qualified electrician to determine and install proper voltage and size electrical receptacle.
- Unit is not weatherproof. Locate unit indoors.
- Remote control enclosure must be mounted on vertical wall and installed in vertical position. Mounting remote control enclosure in horizontal position may result in collection of liquids and lead to electric shock.

FIRE HAZARD: Install condensing unit with a minimum of 6" (152 mm) of space between all sides of unit and any combustible surfaces.



CAUTION

Locate unit at proper counter height in an area that is convenient for use. The location should be strong enough to support the weight of unit and contents.

NOTICE

Transport and install unit in upright position only. Failure to do so may result in damage to refrigeration system.

This unit is designed for use in environments where ambient temperature is between 65°F (18°C) and 86°F (30°C).

When shipped during cold weather months, store unit for at least 10 hours in an environment where ambient temperature is between 65°F (18°C) and 86°F (30°C) to prevent compressor and/or refrigerant line damage. If unit is turned on and there is excessive noise and vibration, turn off immediately and allow additional warmup time.

Provide louvered or grill-style openings with a minimum size of 12" x 12"/144 square inches (31 x 31 cm/ 961 square cm) in the cabinetry in front of and behind the condensing unit for proper ventilation. Failure to provide adequate air flow through the condensing unit may cause unit failure and will void the unit warranty.

Do not recirculate exhaust air inside cabinet when multiple condensing units are installed together. Intake air should enter from outside of cabinet.

Do not locate unit in area with excessive air movement around unit. Avoid areas that may be subject to active air movements or currents (i.e., near exhaust fans/hoods, air conditioning ducts, and exterior doors).

Do not locate unit in an area subject to excessive temperatures or grease from grills, fryers, etc. Excessive temperatures could cause damage to the unit.

Damage to any countertop material caused by heat or cold generated from Hatco equipment is not covered under the Hatco warranty. Contact manufacturer of countertop material for application information.

All Hot/Cold Built-In Shelves are shipped in a wooden frame for protection and stability. Keep the unit in the wooden frame until the unit and the installation site are completely prepared for the unit to be installed.

Survey the installation site. Take into account the need for louvered or grill-style openings in the cabinetry to provide proper ventilation for the condensing unit as well as access to the control panel. One of these ventilation openings must be in front of the condensing coils with the other on the opposite side. If multiple condensing units are installed in the same counter, each unit should intake cool air and expel hot air.

1. Remove all external packaging from the unit.

NOTE: To prevent delay in obtaining warranty coverage, complete online warranty registration. See the IMPORTANT OWNER INFORMATION section for details.

2. Remove tape, protective packaging, and literature from all surfaces of the unit.

Preparing the Installation Site

1. Prepare the appropriate opening in the countertop for the unit being installed.

- For top mounted HCSBF models, refer to the "Countertop Cutout Dimensions — HCSBF Models," in this section.
- For bottom mounted HCSSB and HCSSBF models, refer to the "Countertop Cutout and Mounting Bolt Dimensions — HCSSB and HCSSBF Models," in this section.

2. If installing the control enclosure remotely, cut and drill the appropriate holes in the vertical surface where the control enclosure will be installed. Refer to the "Installing the Control Enclosure Remotely" procedure for cutout dimensions.

- The installation depth required for the control enclosure is 8-1/2" (216 mm).

3. Make structural modifications or add bracing underneath the countertop to ensure the countertop will support the weight of the unit and its contents.

4. Make sure the following cabinet interior specifications and clearances are available:

- A level, stable surface for mounting the condensing unit within 4' (1219 mm) of the connections on the bottom of the hot/cold shelf. Refer to the SPECIFICATIONS section for installation dimensions.
- A minimum 2" (51 mm) clearance between the condensing unit and any combustible surface.

5. Cut two openings in the cabinetry to provide proper ventilation to the condensing unit as well as access to the control panel. Louvered or grill-style panels should be installed in the openings to protect the condensing unit.

- Openings should be a minimum of 12" x 12" (31 x 31 cm) or 144 square inches (961 square cm).
- One opening should be located in front of the condenser coils with the other opening on the opposite side.

6. Install the unit. Refer to the appropriate procedure in this section for the model being installed.

Installing a Top Mounted Unit (HCSBF Series)

NOTICE

Use caution and avoid hitting condensing unit hoses/lines when installing unit. Damage caused during installation is not covered under warranty.

1. Apply a bead of National Sanitation Foundation (NSF)-approved silicone sealant on the top edge of the countertop cutout and the underside of the trim mounting ring. The sealant must be rated for use at temperatures between -10°F (-23°C) and 250°F (121°C).

IMPORTANT NOTE

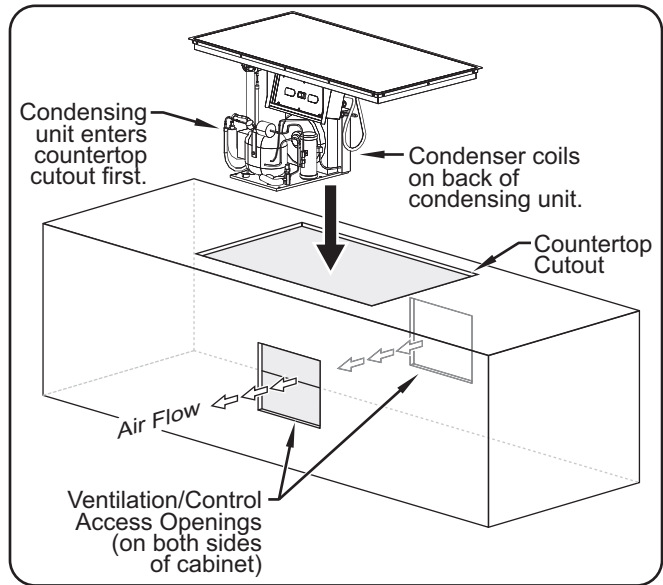
The condensing unit is shipped “loose” from the hot/cold shelf. They are attached only by the flexible tubing that connects the condensing unit to the evaporator coil in the hot/cold shelf. Use caution during installation and avoid putting strain on the flexible tubing.

2. Lift the hot/cold shelf followed by the condensing unit out of the wooden shipping frame and carefully lower them into the countertop cutout. This step requires two or more people.
 - The condensing unit must go into the cutout first and be fastened to a level, stable surface within 4' (1219 mm) of the connections on the bottom of the hot/cold shelf. Refer to the SPECIFICATIONS section for installation dimensions.
3. Install the control panel in the desired location, if installing remotely.
 - The control enclosure can be installed remotely within 4' (1219 mm) of the condensing unit. Refer to the “Installing the Control Enclosure Remotely” procedure in this section.

CAUTION

DO NOT tip unit/mounting surface after final installation. Unit is free-floating and could fall out if tipped—for permanent, horizontal installations only.

4. Clean the hot/cold surface thoroughly in preparation for initial operation. Refer to the MAINTENANCE section for proper cleaning procedures.
5. Plug the unit into a properly grounded electrical receptacle of the correct voltage, size, and plug configuration. See the SPECIFICATIONS section for details.

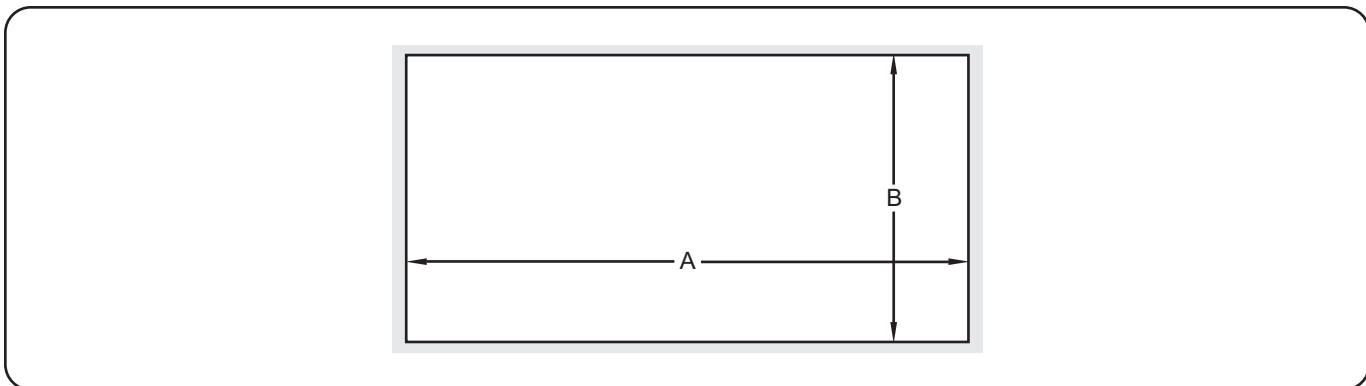


Installing a HCSBF Series Hot/Cold Shelf

Countertop Cutout Dimensions — HCSBF Models

Model	Width (A)	Depth (B)
HCSBF-24-F	24-5/8" to 25" (625 to 635 mm)	16-1/8" to 16-1/2" (409 to 419 mm)
HCSBF-24-I	24-5/8" to 25" (625 to 635 mm)	20-1/8" to 20-1/2" (511 to 521 mm)
HCSBF-24-S	24-5/8" to 25" (625 to 635 mm)	24-5/8" to 25" (625 to 635 mm)
HCSBF-36-F	36-5/8" to 37" (930 to 940 mm)	16-1/8" to 16-1/2" (409 to 419 mm)
HCSBF-36-I	36-5/8" to 37" (930 to 940 mm)	20-1/8" to 20-1/2" (511 to 521 mm)

Model	Width (A)	Depth (B)
HCSBF-36-S	36-5/8" to 37" (930 to 940 mm)	24-5/8" to 25" (625 to 635 mm)
HCSBF-48-F	48-5/8" to 49" (1234 to 1245 mm)	16-1/8" to 16-1/2" (409 to 419 mm)
HCSBF-48-I	48-5/8" to 49" (1234 to 1245 mm)	20-1/8" to 20-1/2" (511 to 521 mm)
HCSBF-48-S	48-5/8" to 49" (1234 to 1245 mm)	24-5/8" to 25" (625 to 635 mm)



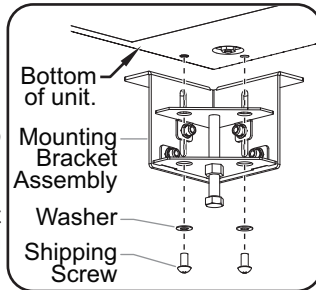
Installing a Bottom Mounted Unit (HCSSB and HCSSBF Series)

NOTICE

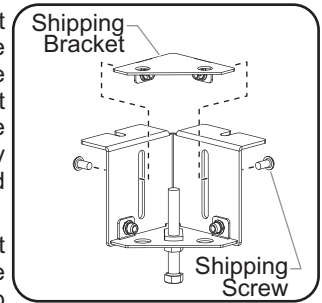
Use caution and avoid hitting condensing unit hoses/lines when installing unit. Damage caused during installation is not covered under warranty.

NOTE: Accessory Installation Kits that include a self-adhesive gasket for caulk backing as well as colored silicone sealant are available. Refer to the OPTIONS AND ACCESSORIES section.

- Remove the mounting bracket assembly from each corner of the hot/cold shelf. To remove:
 - Remove the two shipping screws and washers that attach each mounting bracket assembly to the bottom of the unit.
 - Carefully lift the hot/cold shelf above the wooden shipping frame, and rotate it far enough to allow the unit to be set back down on top of the frame (the mounting brackets will stay on the frame or fall out the bottom). Make sure the flexible tubes from the condensing unit are not strained or damaged. This step requires two or more people, depending on the unit.
 - Remove the mounting bracket assemblies from the frame, if necessary.



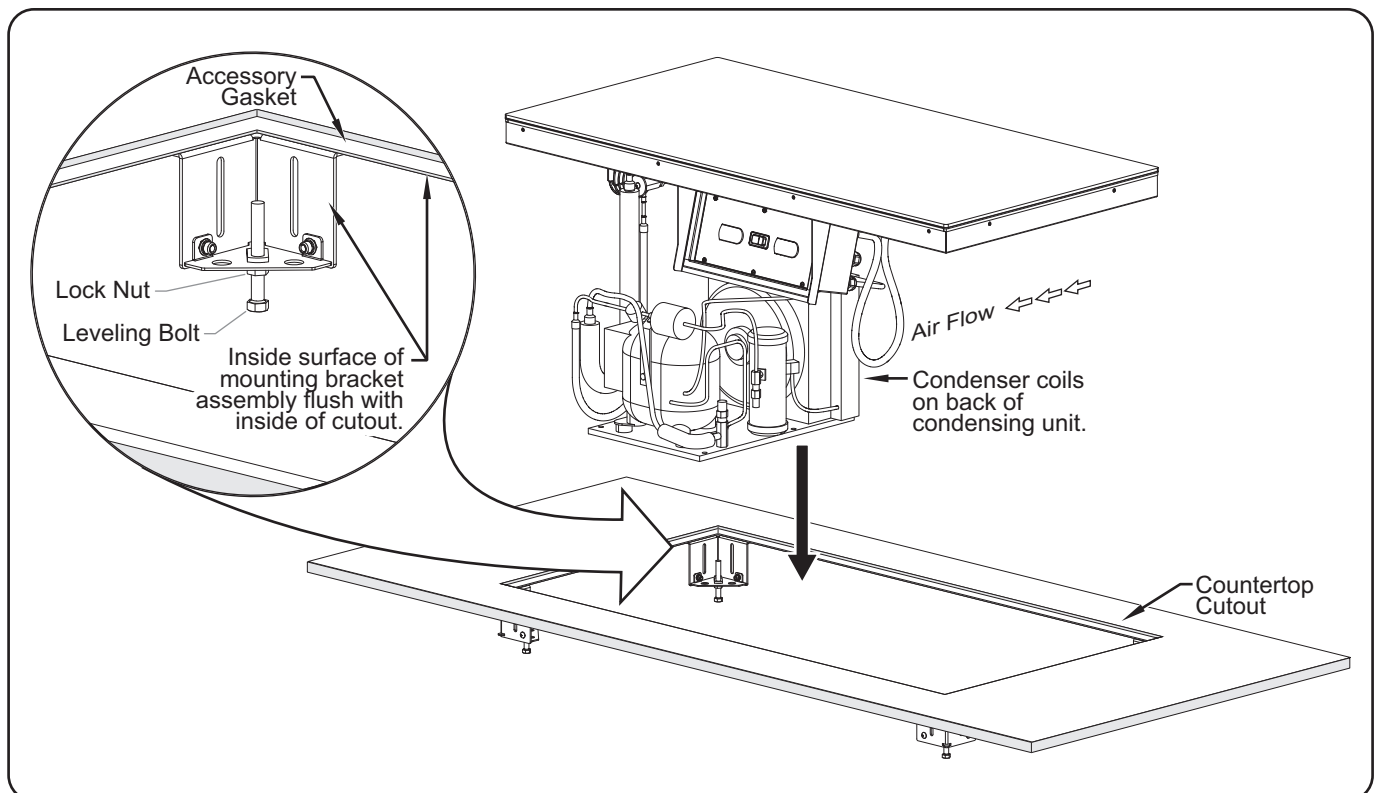
- On each mounting bracket assembly, remove the shipping screws and the triangular shipping bracket that was used to attach the mounting bracket assembly to the bottom of the hot/cold shelf and discard.



- Attach a mounting bracket assembly to the underside of the prepared countertop at each corner of the cutout.
 - Align the u-shaped mounting holes on the mounting bracket with the two pre-drilled mounting holes on the underside of the countertop. The inside surface of the mounting bracket should be vertically flush with the inner surface of the countertop cutout.
 - Insert appropriate fasteners through the mounting bracket and into appropriate anchoring devices in the mounting holes on the underside of the countertop. Tighten securely.

- Install the accessory, self-adhesive gasket around the inner, vertical surface of the countertop cutout, if available.
 - The gasket should be positioned 1/4" (6 mm) below the top surface of the countertop.

NOTE: If the accessory, self-adhesive gasket is not available, provide a caulk backing around the inner, vertical surface of the countertop cutout 1/4" (6 mm) below the top surface of the countertop. This will prevent the silicone sealant applied later in this procedure from falling through the gap between the countertop and the hot/cold shelf.



Installing a HCSSBF Series Hot/Cold Shelf

5. Carefully lower the condensing unit followed by the hot/cold shelf into the countertop cutout. This step requires two or more people.
 - The condensing unit must go into the cutout first and be fastened to a level, stable surface within 4' (1219 mm) of the connections on the bottom of the hot/cold shelf. Refer to the SPECIFICATIONS section for installation dimensions.
 - The hot/cold shelf rests on top of the four leveling bolts, which are part of the mounting bracket assembly installed at each corner of the countertop cutout.
6. Adjust the leveling bolts underneath each corner of the unit so that the shelf is flush or slightly below the countertop surface.
7. Tighten the lock nut on each leveling bolt to secure the position.
8. Apply a bead of National Sanitation Foundation (NSF)-approved silicone sealant in the gap between the countertop and the hot/cold shelf. To apply a clean, consistent sealant bead:
 - a. Make sure the shelf is centered in the countertop cutout.
 - b. Install masking tape on each side of the gap to define the edge of the sealant.
 - c. Carefully apply sealant into the gap.
 - d. Quickly smooth the sealant surface.
 - e. Carefully remove the masking tape before the sealant dries.

NOTE: The silicone sealant must be rated for use at temperatures between -10°F (-23°C) and 250°F (121°C).

CAUTION

DO NOT tip unit/mounting surface after final installation. Unit is free-floating and could fall out if tipped—for permanent, horizontal installations only.

9. Install the control panel in the desired location, if installing remotely.
 - The control panel can be installed remotely within 4' (1219 mm) of the condensing unit. Refer to the "Installing the Control Panel Remotely" procedure in this section.
10. Clean the hot/cold shelf surface thoroughly in preparation for initial operation. Refer to the MAINTENANCE section for proper cleaning procedures.
11. Plug the unit into a properly grounded electrical receptacle of the correct voltage, size, and plug configuration. See the SPECIFICATIONS section for details.

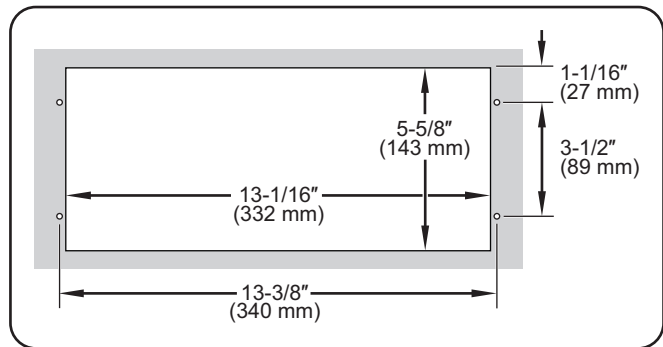
Installing the Control Enclosure Remotely

Use the following procedure to install the control enclosure remotely within 4' (1219 mm) of the condensing unit.

WARNING

Control enclosure must be mounted in a vertical surface. Mounting control enclosure in a horizontal surface may result in the collection of liquids and lead to electric shock.

1. Remove the six trim cover screws from the control enclosure, and remove the trim cover.
2. Position the control enclosure into the cutout opening through the backside.
3. Fasten the control enclosure to the vertical surface using four screws (not supplied).
4. Reinstall the trim cover on the control enclosure and secure in position using the six trim cover screws. Seal the trim cover to the mounting surface with silicone adhesive.

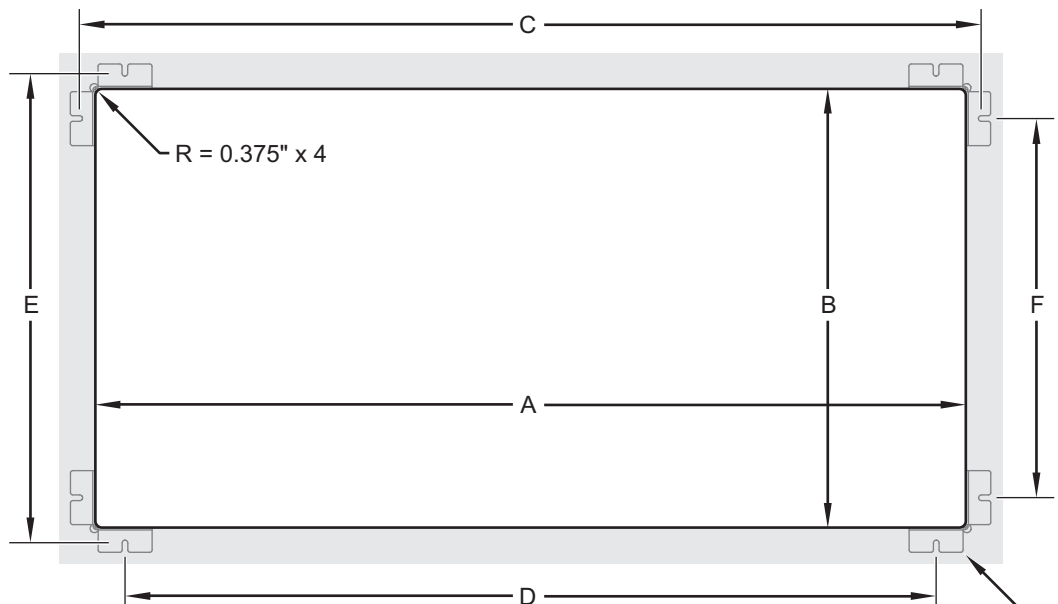


Control Enclosure Cutout Dimensions

NOTE: Make sure the width of the control enclosure cutout does not exceed the above dimension.

Countertop Cutout and Mounting Bolt Dimensions — HCSSB and HCSSBF Models

Model	Cutout Width (A)	Cutout Depth (B)	Bolt Hole Location (C)	Bolt Hole Location (D)	Bolt Hole Location (E)	Bolt Hole Location (F)
HCSSB-2418	24-3/8" (619 mm)	18-3/8" (467 mm)	26-3/8" (670 mm)	21" (533 mm)	20-3/8" (517 mm)	15" (380 mm)
HCSSB-3018	30-3/8" (772 mm)	18-3/8" (467 mm)	32-3/8" (822 mm)	26" (660 mm)	20-3/8" (517 mm)	15" (380 mm)
HCSSB-3618	36-3/8" (924 mm)	18-3/8" (467 mm)	38-3/8" (974 mm)	33" (837 mm)	20-3/8" (517 mm)	15" (380 mm)
HCSSB-4818	48-3/8" (1229 mm)	18-3/8" (467 mm)	50-3/8" (1279 mm)	45" (1142 mm)	20-3/8" (517 mm)	15" (380 mm)
HCSSBF-24-F	24-3/8" (619 mm)	15-7/8" (403 mm)	26-3/8" (670 mm)	21" (533 mm)	17-7/8" (454 mm)	12-1/2" (317 mm)
HCSSBF-24-I	24-3/8" (619 mm)	19-7/8" (505 mm)	26-3/8" (670 mm)	21" (533 mm)	21-7/8" (555 mm)	16-1/2" (418 mm)
HCSSBF-24-S	24-3/8" (619 mm)	24-3/8" (619 mm)	26-3/8" (670 mm)	21" (533 mm)	26-3/8" (670 mm)	21" (533 mm)
HCSSBF-36-F	36-3/8" (924 mm)	15-7/8" (403 mm)	38-3/8" (974 mm)	33" (837 mm)	17-7/8" (454 mm)	12-1/2" (317 mm)
HCSSBF-36-I	36-3/8" (924 mm)	19-7/8" (505 mm)	38-3/8" (974 mm)	33" (837 mm)	21-7/8" (555 mm)	16-1/2" (418 mm)
HCSSBF-36-S	36-3/8" (924 mm)	24-3/8" (619 mm)	38-3/8" (974 mm)	33" (837 mm)	26-3/8" (670 mm)	21" (533 mm)
HCSSBF-48-F	48-3/8" (1229 mm)	15-7/8" (403 mm)	50-3/8" (1279 mm)	45" (1142 mm)	17-7/8" (454 mm)	12-1/2" (317 mm)
HCSSBF-48-I	48-3/8" (1229 mm)	19-7/8" (505 mm)	50-3/8" (1279 mm)	45" (1142 mm)	21-7/8" (555 mm)	16-1/2" (418 mm)
HCSSBF-48-S	48-3/8" (1229 mm)	24-3/8" (619 mm)	50-3/8" (1279 mm)	45" (1142 mm)	26-3/8" (670 mm)	21" (533 mm)



General

Use the appropriate procedure in this section to operate a Hot/Cold Built-In Shelf in either HOT Mode or COLD Mode.



WARNING

Read all safety messages in the Important Safety Information section before operating this equipment.

Hot Operation (HOT Mode)

Use the following procedure to operate the unit in HOT mode.



CAUTION

BURN HAZARD: Some exterior surfaces on unit will get hot. Avoid unnecessary contact with unit.

1. For HCSSB and HCSSBF models, clean and sanitize the stone shelf using a clean, damp cloth and a sanitizer approved for food contact surfaces.
2. Move the Power Switch to the hot ☺ "I" (on) position.
 - The digital temperature controller will energize and "ON" will appear on the display, followed by the current temperature of the unit.
 - The ☺ symbol on the display will illuminate to show the unit is active and heating the shelf.

NOTE: The unit is pre-set at the factory to a HOT setpoint temperature of 180°F (82°C). If adjustment to the setpoint temperature is required, refer to the "Changing the Setpoint Temperature" in this section.



WARNING

Hatco Corporation is not responsible for actual food product serving temperature. It is the responsibility of the user to ensure that food product is held and served at a safe temperature.

3. Allow the unit approximately 30 minutes to reach setpoint temperature.

4. Verify on the display that the unit has reached the proper setpoint temperature, and load the shelf with pans that contain pre-heated food product.
 - For HCSBF units, always use a food pan on the hardcoat aluminum surface. Do not place food directly onto surface.

Shutdown

1. Move the Power Switch to the center "O" (off) position.
2. Perform the "Daily Cleaning" procedure in the MAINTENANCE section of this manual.

Cold Operation (COLD Mode)

Use the following procedure to operate the unit in COLD Mode.



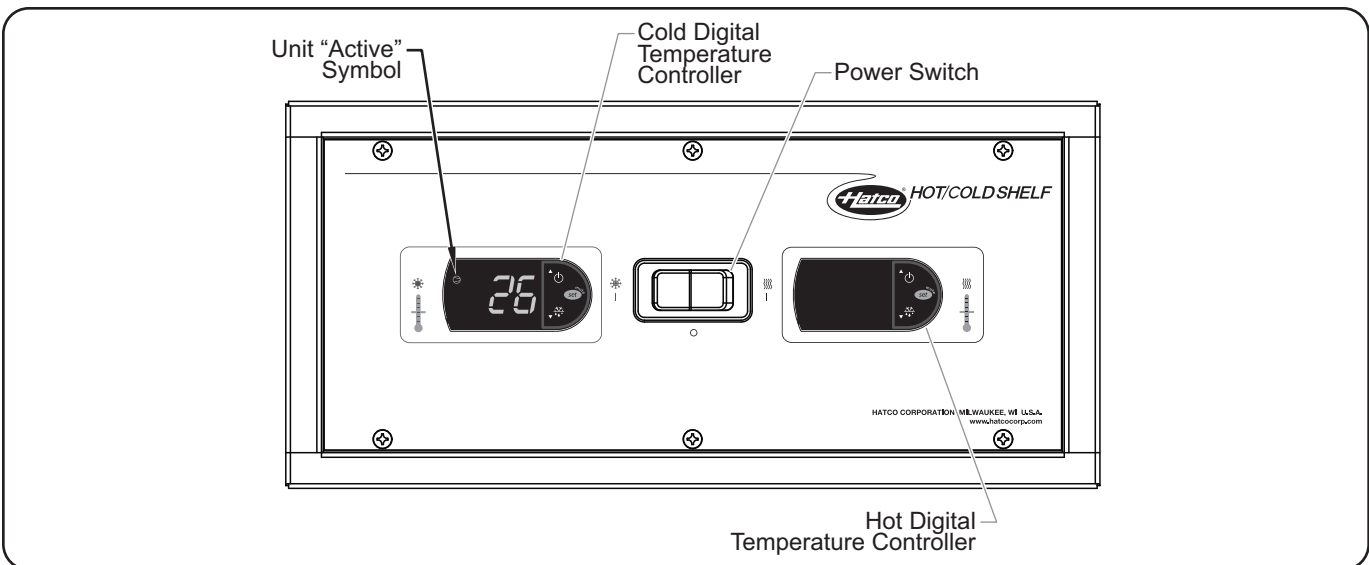
NOTICE

When shipped during cold weather months, store unit for at least 10 hours in an environment where ambient temperature is between 65°F (18°C) and 86°F (30°C) to prevent compressor and/or refrigerant line damage. If unit is turned on and there is excessive noise and vibration, turn off immediately and allow additional warmup time.

1. For HCSSB and HCSSBF models, clean and sanitize the stone shelf using a clean, damp cloth and a sanitizer approved for food contact surfaces.
2. Move the Power Switch to the cold ❄️ "I" (on) position.
 - The digital temperature controller will energize and "ON" will appear on the display, followed by the current temperature of the unit.
 - A five minute programmed delay begins before the condensing unit starts up. The delay is in place as a safeguard when switching from HOT to COLD Mode.
 - After the five minute delay, the ☺ symbol on the display will illuminate to show the condensing unit is active and chilling the shelf.

NOTE: The unit is pre-set at the factory to a COLD setpoint temperature of 25°F (-4°C). If ambient conditions require adjustment to the setpoint temperature, refer to the "Changing the Setpoint Temperature" in this section.

3. Allow the unit approximately 30 minutes to reach setpoint temperature.



Hot/Cold Shelf Control Enclosure (shown operating in COLD Mode)

- Verify on the display that the unit has reached the proper setpoint temperature, and load the shelf with pans that contain pre-chilled food product.
 - For HCSBF units, always use a food pan on the hardcoat aluminum surface. Do not place food directly onto surface.
 - Stir thick food items frequently to keep food chilled uniformly.



Hatco Corporation is not responsible for actual food product serving temperature. It is the responsibility of the user to ensure that food product is held and served at a safe temperature.

Shutdown

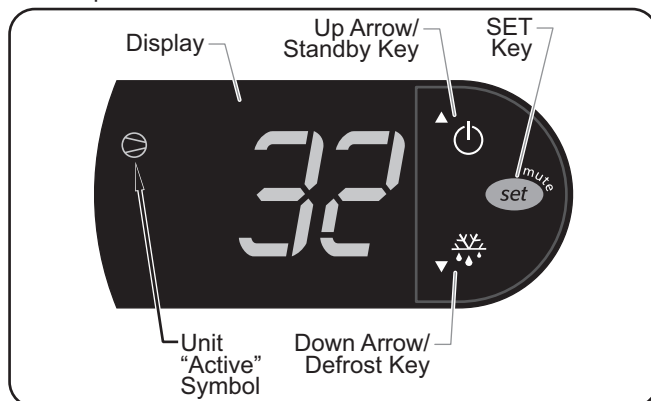
- Move the Power Switch to the center "O" (off) position. The digital temperature controller and condensing unit will shut off.
- Perform the "Daily Cleaning" procedure in the MAINTENANCE section of this manual.

Changing the Setpoint Temperature

Use the following procedure to change the setpoint temperature on both digital temperature controllers. The setpoint temperature range for the COLD controller is 10°F (-12°C) to 50°F (10°C). The setpoint temperature range for the HOT controller is 65°F (18°C) to 192°F (89°C).


NOTE: Changes to the setpoint temperature should be made in small increments (1 to 2 degrees). Wait at least two hours after a change in setpoint temperature before checking for the desired result.

- Press and hold the **set** key for one second until the display flashes the current setpoint temperature.
- Press the **▲** or **▼** key to increase or decrease the setpoint temperature. If no key is pressed within 60 seconds, the display will revert to normal operation and the current temperature of the unit will be shown on the display.
- Press the **set** key to lock in the new setpoint temperature. The display will revert to show the current temperature of the unit.



Digital Temperature Controller

Setting the Auto-Defrost Cycle (COLD Mode)

The COLD digital temperature controller is programmed at the factory with the auto-defrost cycle deactivated. Use the following procedure to activate the auto-defrost cycle if ambient or operational conditions require the unit to defrost occasionally. When the unit is in a defrost cycle,  will appear on the display.

- Press and hold the **set** key for three seconds to access programming mode. "PS" (password) will appear on the display.
 - Press the **set** key again. A numeric value will appear on the display.
 - Press the **▲** or **▼** key until the number "22" appears on the display, then press the **set** key.
 - Use the **▲** or **▼** key to scroll through the programmable parameters until "dl" (defrost interval) appears on the display.
 - Press the **set** key to select "dl". The current number of defrost cycles will be shown on the display. For new units, this value will be "0".
 - Press the **▲** or **▼** key within 60 seconds to scroll to the desired number of hours between defrost cycles. See below for examples of how the defrost cycle(s) operate:
 - "0" = auto-defrost is deactivated
 - "1" = unit will defrost every hour
 - "4" = unit will defrost every four hours (recommended)
 - "12" = unit will defrost every twelve hours
- If no key is pressed within 60 seconds, the display will revert to normal operation and the current temperature of the unit will be shown on the display.
- Press the **set** key to lock in the new defrost cycle setting.
 - Press and hold the **set** key for three seconds to exit programming mode. The display will revert to show the current temperature of the unit.

NOTE: Once the unit begins a defrost cycle, defrosting cannot be cancelled. Defrosting lasts approximately 30 minutes.

General

Hot/Cold Built-In Shelves are designed for maximum durability and performance, with minimum maintenance.



WARNING

ELECTRIC SHOCK HAZARD:

- Turn OFF power switch, unplug power cord, and allow unit to cool before performing any cleaning, adjustments, or maintenance.
- DO NOT submerge or saturate with water. Unit is not waterproof. Do not operate if unit has been submerged or saturated with water.
- Do not clean unit when it is energized or hot.
- This unit is not “jet-proof” construction. Do not use jet-clean spray to clean this unit.
- This unit must be serviced by qualified personnel only. Service by unqualified personnel may lead to electric shock or burn.

FIRE HAZARD: Do not use harsh chemicals such as bleach (or cleaners containing bleach), oven cleaners, or flammable cleaning solutions to clean this unit.

This unit has no “user-serviceable” parts. If service is required on this unit, contact an Authorized Hatco Service Agent or contact the Hatco Service Department at 800-558-0607 or 414-671-6350.



CAUTION

Make sure to clean and sanitize stone surface properly after deep cleaning the surface using abrasives and before placing food product on unit.

NOTICE

Do not use steel wool for cleaning. Steel wool will scratch the finish.

Use non-abrasive cleaners and cloths only. Abrasive cleaners and cloths could scratch finish of unit, marring its appearance and making it susceptible to soil accumulation.

Do not use harsh chemicals such as bleach, cleaners containing bleach, or oven cleaners to clean this unit.

Clean unit daily to avoid malfunctions and maintain sanitary operation.

Daily Cleaning

To preserve the finish and maintain operation of the unit, perform the following cleaning procedure daily.

1. Before turning on a HCSSB or HCSSBF model each day, clean and sanitize the stone shelf using a clean, damp cloth and a sanitizer approved for food contact surfaces. If additional cleaning is necessary, refer to the “Cleaning the Stone Surface” information in this section.
2. At the end of each day:
 - a. Move the Power Switch to the center “O” (off) position and allow the unit to cool/defrost.
 - b. Remove and wash all food pans, if present.
 - c. Clean the shelf using a clean cloth or sponge and mild detergent. Use a plastic scouring pad to remove any hardened food particles or mineral deposits.
 - d. Rinse the shelf thoroughly with hot water to remove all detergent residue.
 - e. Wipe down shelf with a clean, sanitized cloth to remove the detergent residue. Repeat until all detergent residue is gone and the well is clean.
 - f. Wipe dry the entire unit using a non-abrasive, dry cloth.
 - g. Wipe down the outside of the louvered or grill-style panels installed in the cabinet ventilation openings.

Cleaning the Stone Surface (HCSSB and HCSSBF Models)

Proper use of the products listed below will not damage the stone shelf (follow the directions on the product labels).

NOTE: Stone surfaces are a simulated stone solid surface.



CAUTION

After deep cleaning stone surface using abrasives, make sure to clean and sanitize surface properly before placing food product.

IMPORTANT NOTE

Bottom-mounted units are installed with a bead of silicone sealant between the unit and the countertop. Use caution when cleaning with the abrasive pad and avoid contact with the silicone sealant.

Hard to Remove Stains

For hard-to-remove stains, use the supplied abrasive pad along with an abrasive cleaner such as Ajax, Comet, Bon Ami, Magic Scrub, or Bar Keeper’s Friend. Additional abrasive pads are available from Hatco (P/N 04.39.049.00). **NOTICE: Use supplied abrasive pad on stone surface only.**

NOTE: Do not use steel wool or metal scouring pads.

Mineral Based Stains

For a mineral-based stain, cleaners designed to remove iron or rust are recommended and should not harm the stone surface.

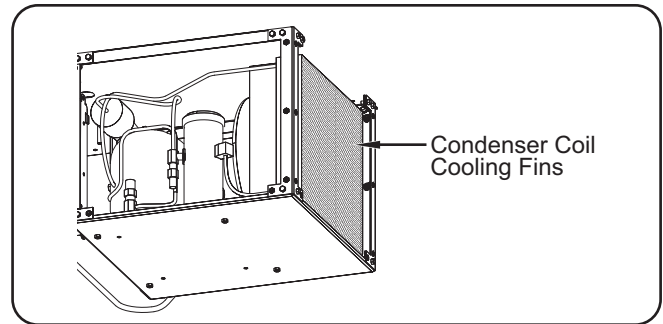
Scratches

For scratches, use sandpaper starting with the coarsest grit and going to finest grit until the scratch disappears. Blend area in with the supplied abrasive pad.

Cleaning the Condensing Unit

Perform the following procedure monthly to maintain proper and efficient operation as well as prevent malfunction when operating in COLD Mode .

1. Remove and clean both sides of the louvered or grill-style panels that are installed in the ventilation openings. Dirt and dust build-up in the panels can restrict air flow to the condensing unit and cause over-heating.
2. Clean the condenser coil cooling fins. Dirt, dust, and lint build-up in the cooling fins will prevent proper cooling of the refrigerant in the refrigeration system. This buildup will cause inefficient operation and can lead to unit failure. Use the following methods to clean the condenser coil cooling fins:
 - Vacuum the cooling fins.
 - Brush the cooling fins vertically using a condenser coil brush. **NOTICE: Use caution when brushing the cooling fins, they are delicate and can be bent easily. DO NOT use a wire brush.**



Condenser Coil Cooling Fins

NOTE: Depending on the conditions of the installation site, this cleaning procedure may need to be performed more often or less often than monthly. Monitor the level of dirt, dust, and lint buildup on the panels and cooling fins, and make adjustments to the frequency of cleanings as necessary.

TROUBLESHOOTING GUIDE

⚠ WARNING

This unit must be serviced by qualified personnel only. Service by unqualified personnel may lead to electric shock or burn.

⚠ WARNING

ELECTRIC SHOCK HAZARD: Turn OFF power switch, unplug power cord, and allow unit to cool before performing any cleaning, adjustments, or maintenance.

HOT Mode Troubleshooting

Symptom	Probable Cause	Corrective Action
Unit not hot enough.	Unit not allowed to preheat.	Allow a minimum of 30 minutes to preheat.
	Setpoint temperature set too low.	Adjust the HOT controller setpoint temperature to a higher setting. Refer to the "Changing the Setpoint Temperature" procedure in the OPERATION section.
	Digital temperature controller not working properly.	Contact Authorized Service Agent or Hatco for assistance.
	Heating element not working.	Contact Authorized Service Agent or Hatco for assistance.
	Voltage supplied is incorrect.	Verify correct voltage is supplied to unit. Unit will not operate properly with low supply voltage.
Unit too hot.	Setpoint temperature set too high.	Adjust the HOT controller setpoint temperature to a lower setting. Refer to the "Changing the Setpoint Temperature" procedure in the OPERATION section.
	Digital temperature controller not working properly.	Contact Authorized Service Agent or Hatco for assistance.
	Voltage supplied is incorrect.	Verify correct voltage is supplied to unit. High supply voltage will cause unit to overheat and may damage unit.
No heat.	Circuit breaker tripped.	Reset circuit breaker. If circuit breaker continues to trip, contact Authorized Service Agent or Hatco.
	Power Switch not working.	Contact Authorized Service Agent or Hatco for assistance.
	Temperature Control not working properly.	Contact Authorized Service Agent or Hatco for assistance.
	Heating element not working.	Contact Authorized Service Agent or Hatco for assistance.

COLD Mode Troubleshooting

Symptom	Probable Cause	Corrective Action
Unit too cold.	Setpoint temperature set too low.	Adjust the COLD controller setpoint temperature to a higher setting. Refer to the "Changing the Setpoint Temperature" procedure in the OPERATION section.
	Digital temperature controller not working properly.	Contact Authorized Service Agent or Hatco for assistance.
Unit not cold enough.	Food product not pre-chilled before loading on shelf.	Load shelf with pre-chilled food product only.
	Setpoint temperature set too high.	Adjust the COLD controller setpoint temperature to a lower setting. Refer to the "Changing the Setpoint Temperature" procedure in the OPERATION section.
	Condenser coil and/or ventilation panels are plugged with dirt/dust.	Clean the condenser coil and ventilation panels. Refer to the "Cleaning the Condensing Unit" procedure in the MAINTENANCE section.
	Digital temperature controller not working properly.	Contact Authorized Service Agent or Hatco for assistance.
	Refrigerant low/leaking or other internal condensing unit malfunction.	Contact Authorized Service Agent or Hatco for assistance.
Unit makes excessive noise and vibration when turned on.	Internal components have not been adequately warmed before operation.	Turn off unit immediately. Unit should be stored in a warm environment of 65°F (18°C) for at least 10 hours.
Unit not cooling.	Unit has not completed five minute startup delay.	Allow unit to complete five minute startup delay. After turning on unit in COLD Mode, a five minute programmed delay begins before the condensing unit starts up
	Circuit breaker tripped.	Reset circuit breaker. If circuit breaker continues to trip, contact Authorized Service Agent or Hatco for assistance.
	Power Switch not working.	Contact Authorized Service Agent or Hatco for assistance.
	Digital temperature controller not working properly.	Contact Authorized Service Agent or Hatco for assistance.
	Condensing unit overheated.	Contact Authorized Service Agent or Hatco for assistance.
	Internal condensing unit malfunction.	Contact Authorized Service Agent or Hatco for assistance.

Troubleshooting Questions?

If you continue to have problems resolving an issue, please contact the nearest Authorized Hatco Service Agency or Hatco for assistance. To locate the nearest Service Agency, log onto the Hatco website at www.hatcocorp.com and click on *Find Service Agent*, or contact the **Hatco Parts and Service Team** at:

Telephone: 800-558-0607 or 414-671-6350

e-mail: partsandservice@hatcocorp.com

Installation Kits

Installation kits are available for use when installing the bottom-mounted HCSSB and HCSSBF models.

- SILGASK**.....Includes 12-1/2' (3810 mm) self-adhesive silicone gasket.
- SILGASK-SBK**.....Includes 12-1/2' (3810 mm) self-adhesive silicone gasket and one tube black silicone caulk.
- SILGASK-SGRY**.....Includes 12-1/2' (3810 mm) self-adhesive silicone gasket and one tube grey silicone caulk.

Four Year Extended Parts Warranty

A four year extended parts warranty on the compressor is available at time of purchase. This warranty begins after the standard one year warranty expires.

LIMITED WARRANTY

1. PRODUCT WARRANTY

Hatco warrants the products that it manufactures (the "Products") to be free from defects in materials and workmanship, under normal use and service, for a period of one (1) year from the date of purchase when installed and maintained in accordance with Hatco's written instructions or 18 months from the date of shipment from Hatco. Buyer must establish the Product's purchase date by registering the Product with Hatco or by other means satisfactory to Hatco in its sole discretion.

Hatco warrants the following Product components to be free from defects in materials and workmanship from the date of purchase (subject to the foregoing conditions) for the period(s) of time and on the conditions listed below:

- a) **One (1) Year Parts and Labor PLUS One (1) Additional Year Parts-Only Warranty:**
 Conveyor Toaster Elements (metal sheathed)
 Drawer Warmer Elements (metal sheathed)
 Drawer Warmer Drawer Rollers and Slides
 Strip Heater Elements (metal sheathed)
 Display Warmer Elements (metal sheathed air heating)
 Holding Cabinet Elements (metal sheathed air heating)
 Heated Well Elements — HW and HWB Series (metal sheathed)
- b) **One (1) Year Parts and Labor PLUS Four (4) Years Parts-Only Warranty:**
 3CS and FR Tanks
- c) **One (1) Year Parts and Labor PLUS Nine (9) Years Parts-Only Warranty on:**
 Electric Booster Heater Tanks
 Gas Booster Heater Tanks
- d) **Ninety (90) Day Parts-Only Warranty:**
 Replacement Parts

THE FOREGOING WARRANTIES ARE EXCLUSIVE AND IN LIEU OF ANY OTHER WARRANTY, EXPRESSED OR IMPLIED, INCLUDING BUT NOT LIMITED TO ANY IMPLIED WARRANTY OF MERCHANTABILITY OR FITNESS FOR A PARTICULAR PURPOSE OR PATENT OR OTHER INTELLECTUAL PROPERTY RIGHT INFRINGEMENT. Without limiting the generality of the foregoing, SUCH WARRANTIES DO NOT COVER: Coated incandescent light bulbs, fluorescent lights, heat lamp bulbs, coated halogen light bulbs, halogen heat lamp bulbs, xenon light bulbs, LED light tubes, glass components, and fuses; Product failure in booster tank, fin tube heat exchanger, or other water heating equipment caused by liming, sediment buildup, chemical attack, or freezing; or Product misuse, tampering or misapplication, improper installation, or application of improper voltage.

2. LIMITATION OF REMEDIES AND DAMAGES

Hatco's liability and Buyer's exclusive remedy hereunder will be limited solely, at Hatco's option, to repair or replacement using new or refurbished parts or Product by Hatco or a Hatco-authorized service agency (other than where Buyer is located outside of the United States, Canada, United Kingdom, or Australia, in which case Hatco's liability and Buyer's exclusive remedy hereunder will be limited solely to replacement of part under warranty) with respect to any claim made within the applicable warranty period referred to above. Hatco reserves the right to accept or reject any such claim in whole or in part. In the context of this Limited Warranty, "refurbished" means a part or Product that has been returned to its original specifications by Hatco or a Hatco-authorized service agency. Hatco will not accept the return of any Product without prior written approval from Hatco, and all such approved returns shall be made at Buyer's sole expense. HATCO WILL NOT BE LIABLE, UNDER ANY CIRCUMSTANCES, FOR CONSEQUENTIAL OR INCIDENTAL DAMAGES, INCLUDING BUT NOT LIMITED TO LABOR COSTS OR LOST PROFITS RESULTING FROM THE USE OF OR INABILITY TO USE THE PRODUCTS OR FROM THE PRODUCTS BEING INCORPORATED IN OR BECOMING A COMPONENT OF ANY OTHER PRODUCT OR GOODS.

Informations Importantes pour le Propriétaire	22	Mode d'emploi	36
Introduction	22	Généralités.....	36
Consignes de Sécurité Importantes	23	Fonctionnement à chaud (mode CHAUD).....	36
Désignation du Modèle	24	Fonctionnement à froid (mode FROID)	36
Description du Modèle	25	Modification de la température nominale.....	37
Caractéristiques Techniques	26	Programmer le cycle de dégivrage automatique (mode FROID)	37
Configuration des Fiches	26	Maintenance	38
Information sur le fluide frigorigène	26	Généralités.....	38
Tableau des valeurs nominales électriques	26	Nettoyage quotidien	38
Dimensions	28	Nettoyage de la surface en pierre (modèles HCSSB et HCSSBF).....	39
Installation	31	Nettoyage du groupe compresseur-condenseur	39
Généralités.....	31	Guide de Dépannage	40
Préparer le lieu d'installation.....	32	Dépannage en mode CHAUD	40
Installation d'un appareil à montage sur la face supérieure du comptoir (HCSBF)	32	Dépannage en mode FROID	41
Installation d'un appareil à montage sur la face inférieure du comptoir (modèles HCSSB et HCSSBF).....	33	Options et Accessoires	42
Dimensions de découpe du comptoir (HCSBF)	33	Garantie Limitée	42
Installation à distance du boîtier de commande	34	Autorisés Distributeurs de Pièces	Couverture Arrière
Dimensions de découpe du comptoir et positionnement de la visserie de fixation.....	35		

INFORMATIONS IMPORTANTES POUR LE PROPRIÉTAIRE

Noter le numéro de modèle, le numéro de série, le voltage et la date d'achat de votre appareil ci-dessous (étiquette des caractéristiques située sur le côté du boîtier de commande). Veuillez avoir cette information à portée de la main si vous appelez Hatco pour assistance.

Modèle No. _____

Numéro de série _____

Voltage _____

Date d'achat _____

Enregistrez votre appareil!

Remplissez la garantie en ligne pour éviter les retards pour faire jouer la garantie. Accédez au site Web Hatco www.hatcocorp.com, sélectionnez le menu déroulant Parts & Service, puis cliquez sur Warranty Registration.

Horaires

ouvrables: 7h00 à 17h00
Heure du Centre des États-Unis (CST)
(Horaires d'été : juin à septembre—
7h00 à 17h00 CST du lundi au jeudi
7h00 à 16h00 CST le vendredi)

Téléphone: 800-558-0607; 414-671-6350

Courriel: partsandservice@hatcocorp.com



Service d'assistance et de pièces de rechange disponible 7j/7, 24h/24 aux États-Unis et au Canada en composant le 800-558-0607.

Des renseignements supplémentaires sont disponibles sur notre site Web à www.hatcocorp.com.

INTRODUCTION

Les plaques chauffantes/réfrigérantes encastrables Hatco sont spécialement conçues pour conserver les aliments chauds ou réfrigérés à la température de service adéquate. Les appareils isolés, à montage sur la face supérieure ou inférieure du comptoir, sont disponibles en plusieurs tailles.

Les plaques chauffantes/réfrigérantes encastrables Hatco ont fait l'objet d'un long processus de recherche avancée et d'essais pratiques. Les matériaux utilisés ont été sélectionnés pour une durabilité maximale, une apparence attractive et des performances optimales. Chaque appareil est soigneusement inspecté et testé avant expédition.

Ce manuel fournit les instructions d'installation, de sécurité et d'utilisation des plaques chauffantes/réfrigérantes encastrables. Hatco vous recommande de lire l'ensemble des instructions d'installation, de sécurité et de fonctionnement contenues dans ce manuel avant d'installer et d'utiliser l'appareil.

Les consignes de sécurité qui apparaissent dans ce manuel sont identifiées par les mots indicateurs suivants :

⚠ AVERTISSEMENT

AVERTISSEMENT indique une situation dangereuse qui, si elle n'est pas évitée, peut provoquer la mort ou des blessures graves.

⚠ ATTENTION

ATTENTION indique une situation dangereuse qui, si elle n'est pas évitée, peut provoquer des blessures légères ou moyennes.

AVIS

AVIS est utilisé pour des questions sans rapport avec des blessures corporelles.



Lisez l'information de sécurité importante suivante avant d'utiliser cet équipement pour éviter des dommages ou la mort sérieux et pour éviter d'endommager l'équipement ou la propriété.

AVERTISSEMENT

DANGER DE DÉCHARGE ÉLECTRIQUE :

- Brancher l'appareil sur une prise de courant avec terre de tension, de format et de configuration des broches corrects. Si la fiche et la prise ne se correspondent pas, s'adresser à un électricien qualifié pour déterminer et installer une prise de courant de format et de tension corrects.
- Mettez l'interrupteur marche/arrêt hors tension, débranchez le cordon d'alimentation et laissez l'unité refroidir avant d'effectuer tout nettoyage, réglage ou entretien.
- L'unité n'est pas étanche. Il doit être installé en intérieur.
- Le boîtier de commande doit être installé sur une surface verticale : l'installation sur une surface horizontale entraîne un risque d'accumulation de liquide et d'électrocution.
- NE PAS immerger l'appareil ni le saturer d'eau. L'appareil n'est pas étanche à l'eau. Ne pas le faire fonctionner s'il a été immergé ou saturé d'eau.
- Ne nettoyez pas l'appareil tant qu'il est sous tension ou chaud.
- Cet appareil n'est pas étanche aux jets. Ne pas utiliser de jet sous pression pour nettoyer l'appareil.
- Ne pas utiliser l'appareil si le cordon est endommagé ou usé.
- Ne pas tenter de réparer ni de changer un cordon électrique endommagé. Ce cordon doit être changé par Hatco, par un réparateur Hatco agréé ou par une personnes de qualifications comparables.
- La réparation de cet appareil doit être confiée exclusivement à du personnel qualifié. Les réparations par des personnes non qualifiées peuvent provoquer des décharges électriques et des brûlures.
- Pour les réparations, utiliser exclusivement des pièces de rechange Hatco d'origine. Utilisez des pièces détachées Hatco authentiques sous peine d'annuler toutes les garanties et d'exposer l'utilisateur à des tensions électriques dangereuses pouvant entraîner une électrocution ou des brûlures. Les pièces de rechange Hatco d'origine sont conçues pour fonctionner sans danger dans les environnements dans lesquels elles sont utilisées. Certaines pièces de rechange génériques ou de second marché ne présentent pas les caractéristiques leur permettant de fonctionner sans danger dans la matériel Hatco.

DANGER D'INCENDIE :

- Lors de l'installation, un espace minimum de 152 mm (6") doit être maintenu entre les parois du groupe compresseur-condenseur et toute surface combustible.
- N'utilisez pas des solutions nettoyantes inflammables pour nettoyer cet appareil.

RISQUE D'EXPLOSION: Ne conservez pas ou n'utilisez pas d'essence ou d'autres vapeurs ou liquides inflammables à proximité de cet appareil ou de tout autre appareil.

AVERTISSEMENT

Assurez-vous que les aliments ont été correctement réfrigérés à une température appropriée avant de les placer dans l'appareil. Maintenir des aliments à une température inappropriée peut entraîner des risques graves pour la santé. Cet appareil est uniquement destiné à maintenir frais des aliments préalablement réfrigérés.

Hatco Corporation n'est pas responsable de la température réelle à laquelle les aliments sont servis. Il est de la responsabilité de l'utilisateur de s'assurer que la nourriture est conservée et servie à une température sans danger.

L'appareil doit être maintenu dans un état de propreté correct. Des bonnes conditions de propreté et d'hygiène sont essentielles à une manipulation saine des aliments. Reportez-vous à la section MAINTENANCE pour consulter les procédures de nettoyage.

Ne placez aucun produit alimentaire directement sur une surface à revêtement dur. Les produits alimentaires doivent être emballés, placés dans une boîte ou dans un bac alimentaire.

Assurez-vous que tous les opérateurs ont été formés à l'utilisation sûre et correcte de l'appareil.

Cet appareil n'est pas conçu pour être utilisé par des enfants ou des personnes dont les capacités physiques, sensorielles ou mentales sont limitées. Ne laissez pas les enfants sans surveillance et maintenez-les à l'écart de l'appareil.

Cet appareil ne contient aucune pièce réparable par l'utilisateur. Si cet appareil doit être réparé, contacter un réparateur Hatco agréé ou le Service après-vente Hatco au 800-558-0607 ou 414-671-6350.

ATTENTION

DANGER DE BRÛLURE : Certaines surfaces extérieures de l'appareil deviennent chaudes. Toucher ces zones de l'appareil avec précaution.

Placez l'appareil à une hauteur de comptoir adaptée et sur un emplacement pratique pour son utilisation. L'emplacement choisi doit être de niveau et solide afin de supporter le poids de l'appareil et de son contenu.

L'appareil/la surface d'installation NE DOIT PAS être penché(e) une fois l'installation terminée : l'appareil n'est pas fixé et pourrait tomber. Il est uniquement destiné à une installation horizontale permanente.

Nettoyez et désinfectez correctement la surface en pierre après l'avoir décaissée en profondeur à l'aide d'un abrasif et avant de placer des aliments sur l'appareil.

AVIS

L'appareil est conçu pour être utilisé dans des environnements où la température ambiante se situe entre 65°F (18°C) et 86°F (30°C).

En cas d'expédition en hiver, stocker l'appareil dans un environnement à température ambiante adéquate pendant 10 heures afin d'éviter d'endommager le compresseur et/ou le circuit frigorifique. Si l'appareil est allumé et que vous constatez une vibration et des bruits excessifs, éteignez-le immédiatement et laissez-le chauffer un peu plus longtemps.

Prévoyez des ouvertures à grille ou à persiennes de 12" x 12"/144 pouces carrés (31 x 31 cm soit 961 cm²) dans le meuble devant et derrière le groupe compresseur-condenseur pour une bonne ventilation. Une mauvaise circulation de l'air dans le groupe compresseur-condenseur pourrait entraîner une panne de l'appareil et aurait pour effet d'annuler la garantie.

Lorsque plusieurs cuves réfrigérées sont installées simultanément, évitez que l'air sortant ne recircule dans le meuble. L'arrivée d'air doit être située à l'extérieur du meuble.

Maintenez l'appareil dans la position verticale lors du transport et de l'installation. Le non-respect de cette mesure pourrait endommager le système de réfrigération.

Lors de l'installation, manipulez l'appareil avec précaution et évitez au maximum de heurter les tuyaux et les conduites. La garantie ne couvre pas les éléments endommagés pendant l'installation.

AVIS

Placez l'appareil à un endroit où la température ambiante est constante. Évitez les endroits susceptibles d'activer les mouvements ou les courants d'air (proximité des ventilateurs ou hottes d'évacuation et conduites de climatisation).

Ne pas utiliser l'appareil à un endroit exposé à des températures excessives ou de la graisse de grils, friteuses, etc. Les températures excessives risquent d'abîmer l'appareil.

Tout dommage causé à un élément du comptoir par la chaleur ou le froid généré par l'équipement Hatco n'est pas couvert par la garantie de Hatco. Contactez le fabricant du comptoir pour plus de renseignements.

Utilisez uniquement des nettoyants non abrasifs et des chiffons doux. Les chiffons et nettoyant abrasifs pourraient rayer la finition de l'unité, altérant son apparence et la rendant vulnérable à l'accumulation de saleté.

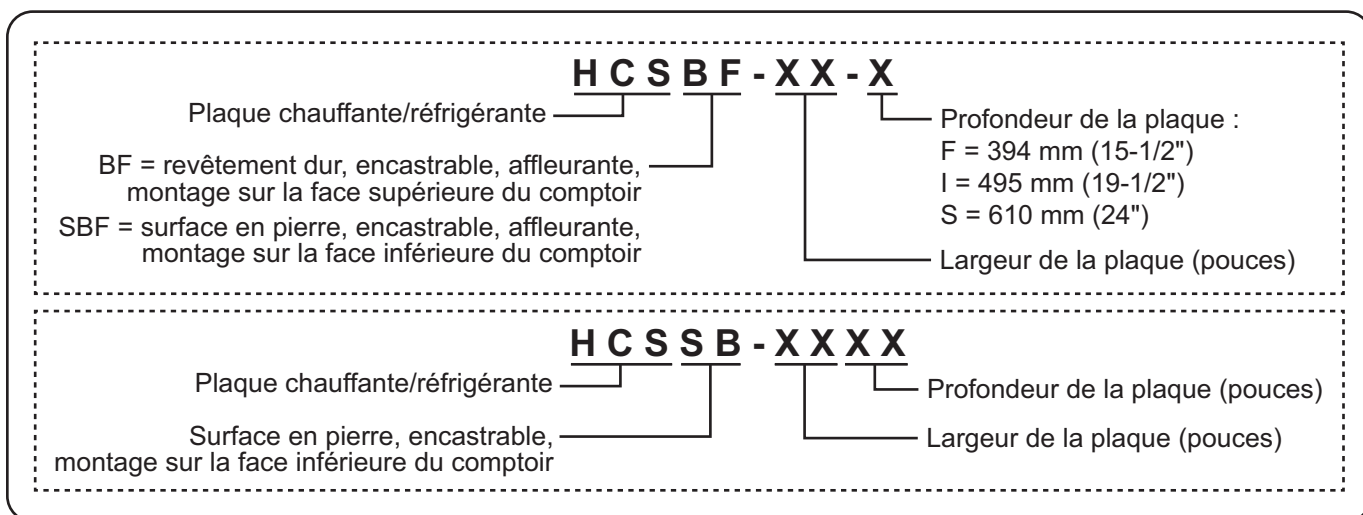
N'utilisez pas de paille de fer pour le nettoyage. La paille de fer raye les finitions.

L'utilisation de produits chimiques agressifs tels que l'eau de javel, les produits nettoyants contenant de la javel, ou les produits de nettoyage pour les fours sont proscrits pour nettoyer l'appareil.

Nettoyez l'unité quotidiennement pour éviter les dysfonctionnements et assurer un fonctionnement sain.

Cet appareil est réservé à un usage professionnel uniquement : il ne convient PAS à un usage personnel.

DÉSIGNATION DU MODÈLE



Tous les Modèles

Fiables et polyvalentes, les plaques chauffantes/réfrigérantes encastrables Hatco sont dotées d'une structure isolée en acier aluminisé et en acier inoxydable. Pour une utilisation à chaud, un élément chauffant de type bande chauffante distribue uniformément la chaleur sur toute la surface en aluminium à revêtement dur ou en pierre. Pour une utilisation à froid, un serpentin d'évaporateur en cuivre court sous l'ensemble de la surface en aluminium à revêtement dur ou en pierre et assure une répartition uniforme du froid d'un bord à l'autre. Un groupe compresseur-condenseur est raccordé au serpentin d'évaporateur via un flexible. Les plaques chauffantes/réfrigérantes encastrables Hatco sont conçues, fabriquées et testées pour maintenir les aliments à une température adéquate.

Un boîtier de commande installable à distance permet de contrôler les plaques chauffantes/réfrigérantes encastrables. Il inclut notamment un interrupteur marche/arrêt à trois positions et deux régulateurs de température numériques. Le boîtier de commande est raccordé au groupe compresseur-condenseur à l'aide d'un cordon d'alimentation de 1 219 mm (4') et à l'élément chauffant via un flexible de 1 219 mm (4').

Les plaques chauffantes/réfrigérantes encastrables sont conçues pour être installées sur la face supérieure ou inférieure de comptoirs en différents matériaux : acier inoxydable, bois, Corian, Swanstone, etc.

Le logo Ecoization désigne les produits conçus pour refléter l'engagement d'Hatco à améliorer, protéger et préserver l'environnement. Les plaques chauffantes/réfrigérantes encastrables Hatco remplissent les conditions pour l'obtention de ce logo, notamment grâce à leur isolation respectueuse de l'environnement, ainsi qu'à leur groupe compresseur-condenseur économique.

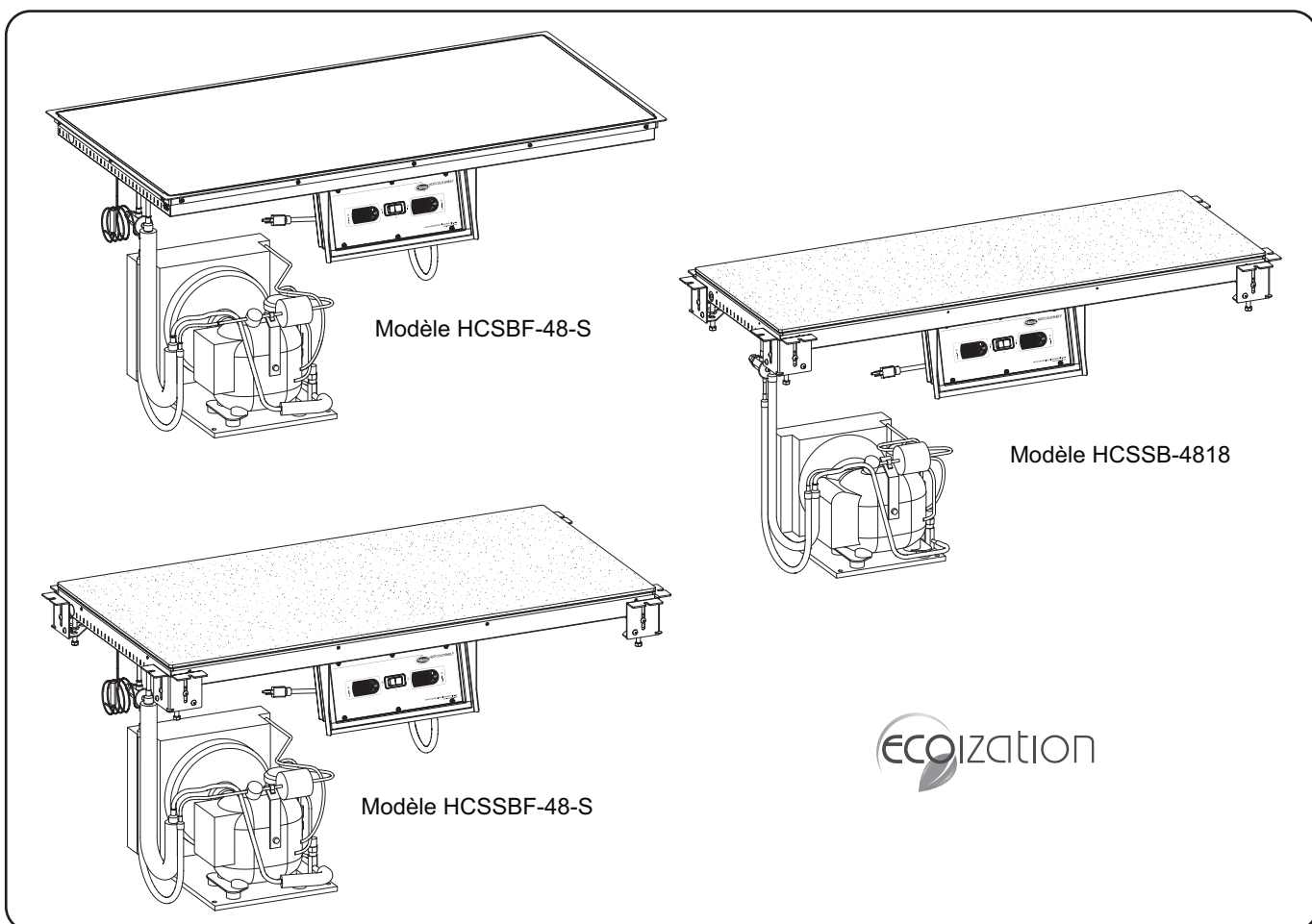
Modèles HCSBF

Les modèles HCSBF sont dotés d'une surface en aluminium à revêtement dur et se montent sur la face supérieure du comptoir.

Modèles HCSSB et HCSSBF

Les modèles HCSSB et HCSSBF sont dotés d'une surface en pierre décorative et se montent sur la face inférieure du comptoir.

NOTA: Les surfaces en pierre sont en pierre artificielle.



Modèles de plaques chauffantes/réfrigérantes

Configuration des fiches

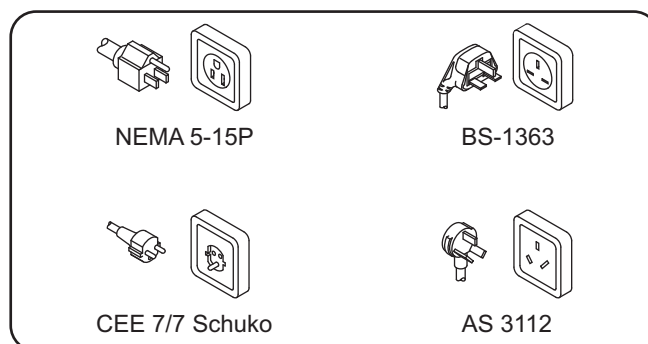
Les appareils sont livrés avec un cordon électrique avec fiche. Différentes fiches sont fournies selon les applications.

AVERTISSEMENT

DANGER DE DÉCHARGE ÉLECTRIQUE : Brancher l'appareil sur une prise de courant avec terre de tension, de format et de configuration des broches corrects. Si la fiche et la prise ne se correspondent pas, s'adresser à un électricien qualifié pour déterminer et installer une prise de courant de format et de tension corrects.

NOTA: L'étiquette des caractéristiques est située sur le côté du boîtier de commande. Consultez l'étiquette pour connaître le numéro de série et vérifier les caractéristiques électriques de l'appareil.

NOTA: Prise non fournie par Hatco.



Configuration des fiches

Information sur le fluide frigorigène

Le groupe compresseur-condenseur de toutes les plaques chauffantes/ réfrigérantes encastrables Hatco utilise un fluide frigorigène R404A.

Tableau des valeurs nominales électriques — Modèles HCSBF

Modèle	Taille du Comp.	Tension	Intensité	Côté		Pression de calcul		Configuration de Fiches	Poids
				Chaud (W)	Amps	Supérieure	Inférieure		
HCSBF-24-F	1/4 hp	120	804	355	6.7	373 psig (25.72 bar)	174 psig (12 bar)	NEMA 5-15P	50 kg (110 lbs.)
	1/3 hp	220-240	616-744	325-387	2.8-3.1	373 psig (25.72 bar)	174 psig (12 bar)	BS-1363, CEE 7/7, AS 3112	50 kg (110 lbs.)
HCSBF-24-I	1/4 hp	120	804	445	6.7	373 psig (25.72 bar)	174 psig (12 bar)	NEMA 5-15P	57 kg (126 lbs.)
	1/3 hp	220-240	616-744	407-485	2.8-3.1	373 psig (25.72 bar)	174 psig (12 bar)	BS-1363, CEE 7/7, AS 3112	57 kg (126 lbs.)
HCSBF-24-S	1/4 hp	120	804	550	6.7	373 psig (25.72 bar)	174 psig (12 bar)	NEMA 5-15P	64 kg (142 lbs.)
	1/3 hp	220-240	616-744	503-599	2.8-3.1	373 psig (25.72 bar)	174 psig (12 bar)	BS-1363, CEE 7/7, AS 3112	64 kg (142 lbs.)
HCSBF-36-F	1/4 hp	120	804	530	6.7	373 psig (25.72 bar)	174 psig (12 bar)	NEMA 5-15P	63 kg (138 lbs.)
	1/3 hp	220-240	616-744	485-577	2.8-3.1	373 psig (25.72 bar)	174 psig (12 bar)	BS-1363, CEE 7/7, AS 3112	63 kg (138 lbs.)
HCSBF-36-I	1/3 hp	120	1044	670	8.7	423 psig (29.16 bar)	174 psig (12 bar)	NEMA 5-15P	71 kg (157 lbs.)
HCSBF-36-S	1/3 hp	120	1044	825	8.7	423 psig (29.16 bar)	174 psig (12 bar)	NEMA 5-15P	84 kg (186 lbs.)
HCSBF-48-F	1/3 hp	120	1044	710	8.7	423 psig (29.16 bar)	174 psig (12 bar)	NEMA 5-15P	75 kg (165 lbs.)
HCSBF-48-I	1/3 hp	120	1044	890	8.7	423 psig (29.16 bar)	174 psig (12 bar)	NEMA 5-15P	90 kg (198 lbs.)
HCSBF-48-S	1/2 hp	120	1380	1100	11.5	331 psig (22.82 bar)	174 psig (12 bar)	NEMA 5-15P	93 kg (204 lbs.)

NOTA: Le poids d'embarquement comprend l'emballage. Les poids d'expédition sont estimés.

Tableau des valeurs nominales électriques — Modèles HCSSB

Modèle	Taille du. Comp.	Tension	Intensité	Côté Chaud (W)	Amps	Pression de calcul Supérieure / Inférieure		Configuration de Fiches	Poids
HCSSB-2418	1/4 hp	120	804	405	6.7	373 psig (25.72 bar)	174 psig (12 bar)	NEMA 5-15P	54 kg (120 lbs.)
HCSSB-3018	1/4 hp	120	804	510	6.7	373 psig (25.72 bar)	174 psig (12 bar)	NEMA 5-15P	68 kg (150 lbs.)
HCSSB-3618	1/4 hp	120	804	610	6.7	373 psig (25.72 bar)	174 psig (12 bar)	NEMA 5-15P	77 kg (170 lbs.)
HCSSB-4818	1/3 hp	120	1044	815	8.7	423 psig (29.16 bar)	174 psig (12 bar)	NEMA 5-15P	88 kg (195 lbs.)

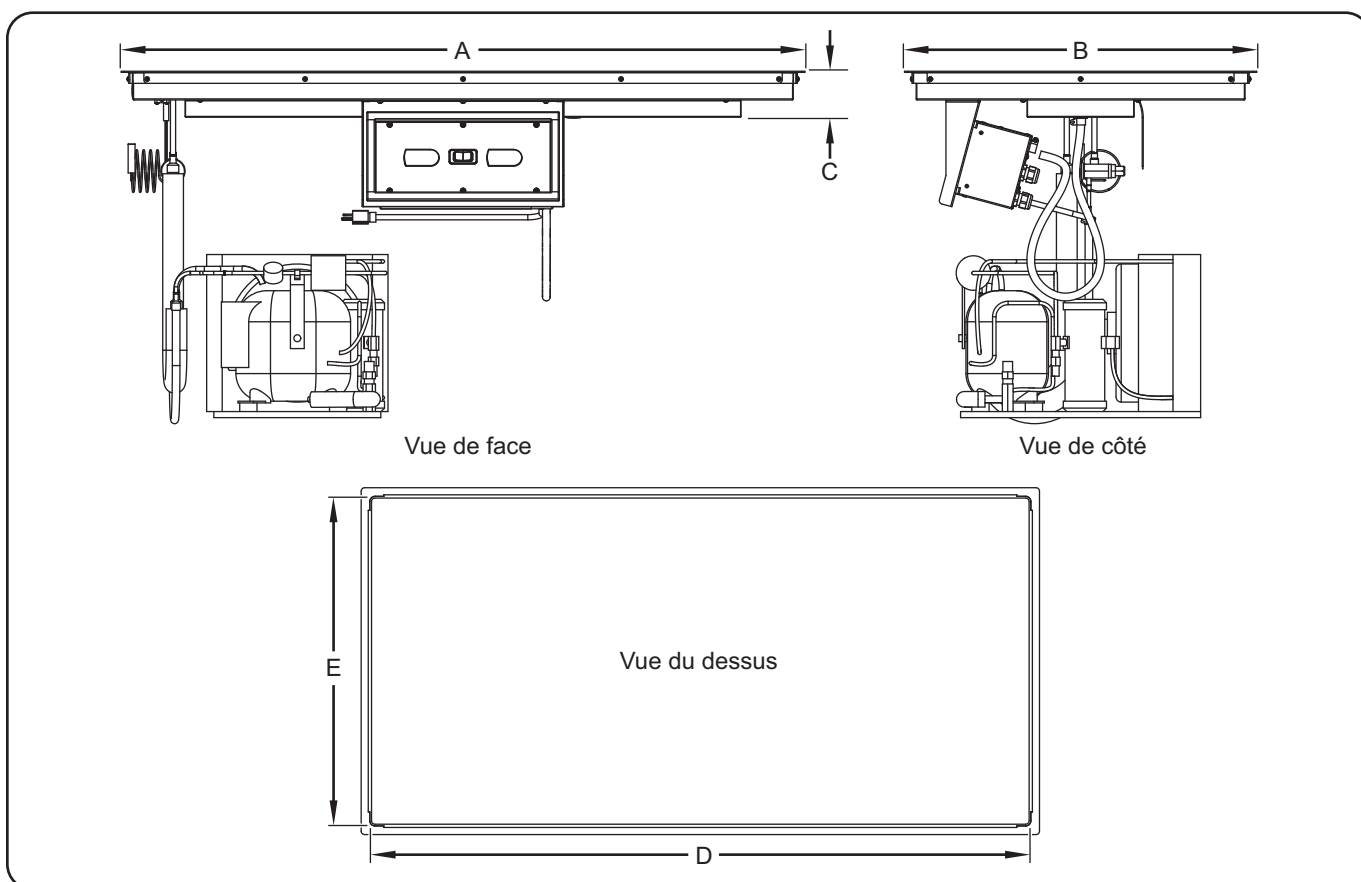
Tableau des valeurs nominales électriques — Modèles HCSSBF

Modèle	Taille du. Comp.	Tension	Intensité	Côté Chaud (W)	Amps	Pression de calcul Supérieure / Inférieure		Configuration de Fiches	Poids
HCSSBF-24-F	1/4 hp	120	804	355	6.7	373 psig (25.72 bar)	174 psig (12 bar)	NEMA 5-15P	52 kg (115 lbs.)
	1/3 hp	220-240	616-744	325-387	2.8-3.1	373 psig (25.72 bar)	174 psig (12 bar)	BS-1363, CEE 7/7, AS 3112	52 kg (115 lbs.)
HCSSBF-24-I	1/4 hp	120	804	445	6.7	373 psig (25.72 bar)	174 psig (12 bar)	NEMA 5-15P	59 kg (131 lbs.)
	1/3 hp	220-240	616-744	407-485	2.8-3.1	373 psig (25.72 bar)	174 psig (12 bar)	BS-1363, CEE 7/7, AS 3112	59 kg (131 lbs.)
HCSSBF-24-S	1/4 hp	120	804	550	6.7	373 psig (25.72 bar)	174 psig (12 bar)	NEMA 5-15P	68 kg (150 lbs.)
	1/3 hp	220-240	616-744	503-599	2.8-3.1	373 psig (25.72 bar)	174 psig (12 bar)	BS-1363, CEE 7/7, AS 3112	68 kg (150 lbs.)
HCSSBF-36-F	1/4 hp	120	804	530	6.7	373 psig (25.72 bar)	174 psig (12 bar)	NEMA 5-15P	66 kg (146 lbs.)
	1/3 hp	220-240	616-744	485-577	2.8-3.1	373 psig (25.72 bar)	174 psig (12 bar)	BS-1363, CEE 7/7, AS 3112	66 kg (146 lbs.)
HCSSBF-36-I	1/3 hp	120	1044	670	8.7	423 psig (29.16 bar)	174 psig (12 bar)	NEMA 5-15P	76 kg (167 lbs.)
HCSSBF-36-S	1/3 hp	120	1044	825	8.7	423 psig (29.16 bar)	174 psig (12 bar)	NEMA 5-15P	90 kg (198 lbs.)
HCSSBF-48-F	1/3 hp	120	1044	710	8.7	423 psig (29.16 bar)	174 psig (12 bar)	NEMA 5-15P	79 kg (175 lbs.)
HCSSBF-48-I	1/3 hp	120	1044	890	8.7	423 psig (29.16 bar)	174 psig (12 bar)	NEMA 5-15P	97 kg (214 lbs.)
HCSSBF-48-S	1/2 hp	120	1380	1100	11.5	331 psig (22.82 bar)	174 psig (12 bar)	NEMA 5-15P	100 kg (220 lbs.)

NOTA: Le poids d'embarquement comprend l'emballage. Les poids d'expédition sont estimés.

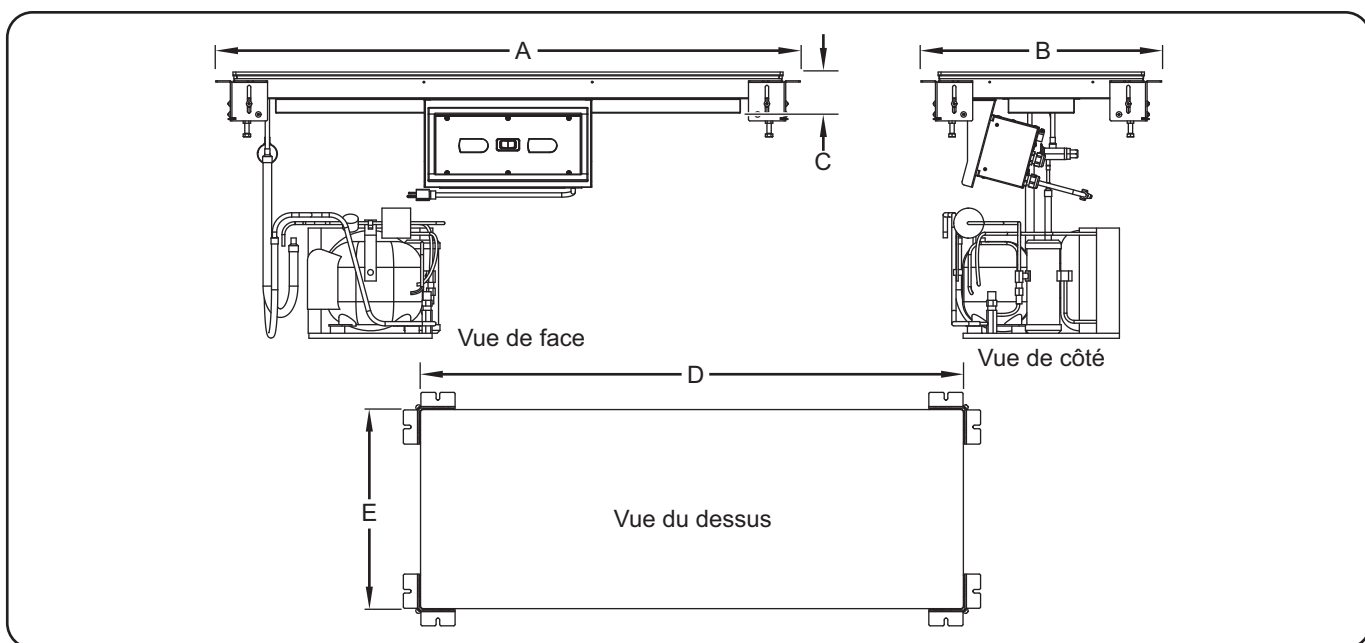
Dimensions — Modèles HCSBF

Modèle	Largeur (A)	Profondeur (B)	Hauteur (C)	Largeur surface chauffante/refroidissante (D)	Profondeur surface chauffante/refroidissante (E)
HCSBF-24-F	648 mm (25-1/2")	432 mm (17")	84 mm (3-5/16")	610 mm (24")	394 mm (15-1/2")
HCSBF-24-I		533 mm (21")			495 mm (19-1/2")
HCSBF-24-S		648 mm (25-1/2")			610 mm (24")
HCSBF-36-F	953 mm (37-1/2")	432 mm (17")		914 mm (36")	394 mm (15-1/2")
HCSBF-36-I		533 mm (21")			495 mm (19-1/2")
HCSBF-36-S		648 mm (25-1/2")			610 mm (24")
HCSBF-48-F	1257 mm (49-1/2")	432 mm (17")		1219 mm (48")	394 mm (15-1/2")
HCSBF-48-I		533 mm (21")			495 mm (19-1/2")
HCSBF-48-S		648 mm (25-1/2")			610 mm (24")



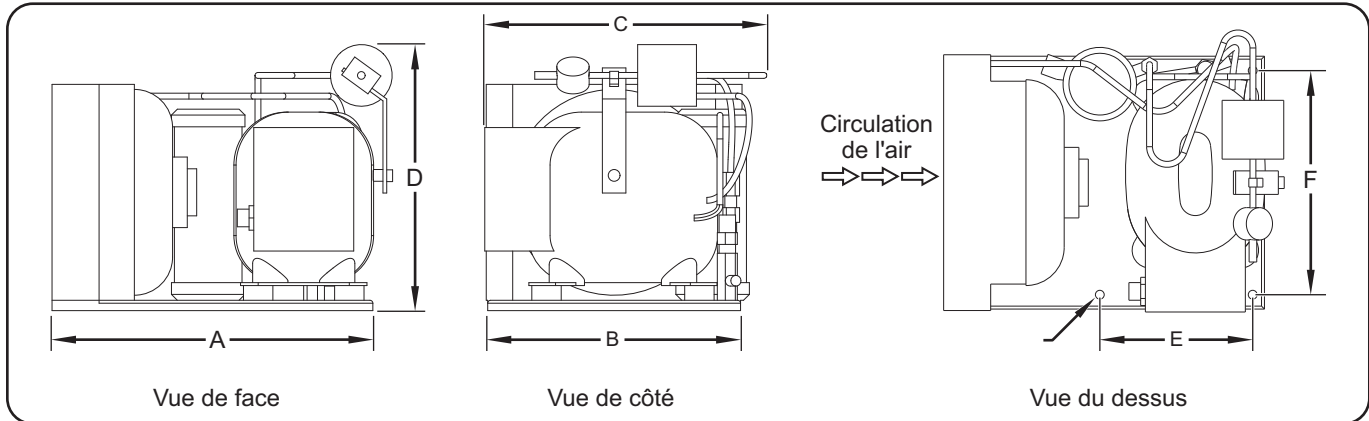
Dimensions — Modèles HCSSB et HCSSBF

Modèle	Largeur (A)	Profondeur (B)	Hauteur (C)	Largeur surface chauffante/refroidissante (D)	Profondeur surface chauffante/refroidissante (E)
HCSSB-2418	686 mm (27")	533 mm (21")	92 mm (3-5/8")	610 mm (24")	457 mm (18")
HCSSB-3018	838 mm (33")			762 mm (30")	
HCSSB-3618	991 mm (39")			914 mm (36")	
HCSSB-4818	1295 mm (51")			1219 mm (48")	
HCSSBF-24-F	686 mm (27")	470 mm (18-1/2")	92 mm (3-5/8")	610 mm (24")	394 mm (15-1/2")
HCSSBF-24-I		572 mm (22-1/2")			495 mm (19-1/2")
HCSSBF-24-S		686 mm (27")			610 mm (24")
HCSSBF-36-F	991 mm (39")	470 mm (18-1/2")	92 mm (3-5/8")	914 mm (36")	394 mm (15-1/2")
HCSSBF-36-I		572 mm (22-1/2")			495 mm (19-1/2")
HCSSBF-36-S		686 mm (27")			610 mm (24")
HCSSBF-48-F	1295 mm (51")	470 mm (18-1/2")	92 mm (3-5/8")	1219 mm (48")	394 mm (15-1/2")
HCSSBF-48-I		572 mm (22-1/2")			495 mm (19-1/2")
HCSSBF-48-S		686 mm (27")			610 mm (24")



Dimensions — Groupe compresseur-condenseur

Puissance du compresseur	Largeur de la base (A)	Profondeur de la base (B)	Profondeur totale (C)	Hauteur (D)	Largeur entre les trous de fixation (E)	Profondeur entre les trous de fixation (F)
1/4 hp 1/3 hp	347 mm (13-11/16")	273 mm (10-3/4")	305 mm (12")	289 mm (11-3/8")	165 mm (6-1/2")	242 mm (9-9/16")
1/2 hp	441 mm (17-3/8")	307 mm (12-1/8")	334 mm (13-1/8")	300 mm (11-13/16")	254 mm (10")	286 mm (11-1/4")



Dimensions — Groupe compresseur-condenseur

Généralités

Les plaques chauffantes/réfrigérantes encastrables sont intégralement assemblées en usine et fournies prêtes à l'emploi. Utilisez les informations et procédures suivantes pour préparer le lieu d'installation et l'appareil ainsi que pour installer l'appareil.

NOTA: Assurez-vous que l'emplacement choisi dispose de l'espace suffisant pour installer le groupe compresseur-condenseur et le boîtier de commande à distance.

AVERTISSEMENT

DANGER DE DÉCHARGE ÉLECTRIQUE :

- Brancher l'appareil sur une prise de courant avec terre de tension, de format et de configuration des broches corrects. Si la fiche et la prise ne se correspondent pas, s'adresser à un électricien qualifié pour déterminer et installer une prise de courant de format et de tension corrects.
- L'unité n'est pas étanche. Il doit être installé en intérieur.
- Le boîtier de commande à distance doit être installé en position verticale sur une paroi verticale : l'installation sur une surface horizontale entraîne un risque d'accumulation de liquide et d'électrocution.

RISQUE D'INCENDIE : lors de l'installation, un espace minimum de 152 mm (6") doit être maintenu entre les parois du groupe compresseur-condenseur et toute surface combustible.

ATTENTION

Placez l'appareil à une hauteur de comptoir adaptée et sur un emplacement pratique pour son utilisation. L'emplacement choisi doit être de niveau et solide afin de supporter le poids de l'appareil et de son contenu.

AVIS

Maintenez l'appareil dans la position verticale lors du transport et de l'installation. Le non-respect de cette mesure pourrait endommager le système de réfrigération.

L'appareil est conçu pour être utilisé dans des environnements où la température ambiante se situe entre 65°F (18°C) et 86°F (30°C).

Si vous recevez l'appareil en période de basses températures, vous devez le stocker pendant au moins 10 heures dans un environnement dont la température ambiante est comprise entre 18 °C (65 °F) et 30 °C (86 °F) avant la première utilisation, afin de ne pas endommager le compresseur et/ou le circuit frigorigène. Si l'appareil en service présente une vibration et un bruit excessifs, mettez-le immédiatement hors tension et laissez-le préchauffer un peu plus longtemps.

AVIS

Prévoyez des ouvertures à grille ou à persiennes de 12" x 12"/144 pouces carrés (31 x 31 cm soit 961 cm²) dans le meuble devant et derrière le groupe compresseur-condenseur pour une bonne ventilation. Une mauvaise circulation de l'air dans le groupe compresseur-condenseur pourrait entraîner une panne de l'appareil et aurait pour effet d'annuler la garantie.

Si plusieurs groupes compresseur-condenseur sont installés à l'intérieur d'un même meuble, l'air sortant ne doit pas être recyclé. L'admission d'air doit être située à l'extérieur du meuble.

L'appareil ne doit pas être installé à un endroit présentant des déplacements d'air excessifs. Évitez les zones pouvant être soumises à des déplacements d'air ou à des courants d'air actifs (proximité de ventilateurs d'extraction/de hottes d'aspiration, de conduites de climatisation et de portes extérieures).

Ne pas utiliser l'appareil à un endroit exposé à des températures excessives ou de la graisse de grils, friteuses, etc. Les températures excessives risquent d'abîmer l'appareil.

Tout dommage causé à un élément du comptoir par la chaleur ou le froid généré par l'équipement Hatco n'est pas couvert par la garantie de Hatco. Contactez le fabricant du comptoir pour plus de renseignements.

Toutes les plaques chauffantes/réfrigérantes encastrables sont expédiées dans une structure en bois garantissant stabilité et protection. Ne sortez l'appareil de son emballage que lorsque le lieu d'installation et l'appareil sont prêts à être installés.

Contrôlez le lieu d'installation. Le meuble doit être doté d'ouvertures à grille ou à persiennes afin d'assurer la bonne ventilation du groupe compresseur-condenseur, dont l'une doit se situer devant les serpentins du condenseur et l'autre à l'opposé. Si plusieurs groupes compresseur-condenseur sont installés dans le même comptoir, chaque appareil doit aspirer de l'air frais et expulser de l'air chaud.

1. Retirez tout l'emballage externe de l'appareil.
2. Retirer le ruban et le film de protection de toutes les surfaces de l'appareil.

NOTA: Pour éviter des retards dans l'obtention de la couverture de la garantie, complétez l'enregistrement en ligne de votre garantie. Lisez la section INFORMATIONS IMPORTANTES POUR LE PROPRIÉTAIRE pour plus de détails.

Préparer le lieu d'installation

1. Préparez l'ouverture appropriée dans le comptoir pour l'unité en cours d'installation.
 - Pour les modèles HCSBF à montage sur la face supérieure du comptoir, veuillez vous référer à la section « Dimensions de découpe du comptoir (modèles HCSBF) ».
 - Pour les modèles HCSSB et HCSSBF à montage sur la face inférieure du comptoir, veuillez vous référer à la section « Dimensions de découpe du comptoir et positionnement de la visserie de fixation (modèles HCSSB et HCSSBF) ».
2. En cas d'installation du panneau de contrôle à distance, percez les trous adéquats dans la surface verticale où vous souhaitez installer le panneau de contrôle. Pour connaître les dimensions des découpes, consultez les instructions de la section « Installer le panneau de contrôle à distance ».
 - La profondeur d'installation requise pour le boîtier de commande est de 216 mm (8-1/2").
3. Réalisez les modifications structurelles ou ajoutez des renforts sous le comptoir pour vous assurer qu'il supportera le poids de l'appareil et de son contenu.
4. Veillez à ce que l'intérieur du meuble présente les caractéristiques et espaces suivants :
 - Une surface stable et plane de montage du groupe compresseur-condenseur se trouvant à moins de 1 219 mm (4') des fiches de raccordement situées sur la partie inférieure de la plaque chauffante/réfrigérante. Veuillez vous référer à la partie CARACTÉRISTIQUES TECHNIQUES pour connaître les dimensions d'installation.
 - Assurez-vous qu'une distance minimale de 51 mm (2") sera respectée entre le groupe compresseur-condenseur et toute surface combustible.
5. Effectuez deux ouvertures dans le comptoir afin de veiller à une ventilation adéquate du groupe compresseur-condenseur ainsi qu'un accès au panneau de contrôle. Des panneaux à persiennes ou à grille doivent être installés sur les ouvertures pour protéger le groupe compresseur-condenseur.
 - La dimension des ouvertures doit être d'au moins 12" x 12" (31 x 31 cm) ou de 144 pouces carrés (961 cm²).
 - L'une des ouvertures doit être située devant les serpentins du condenseur tandis que l'autre doit être située du côté opposé.
6. Installez l'appareil. Veuillez vous référer à la procédure correspondant au modèle installé.

Installation d'un appareil à montage sur la face supérieure du comptoir (HCSBF)

AVIS

Lors de l'installation, manipulez l'appareil avec précaution et évitez au maximum de heurter les tuyaux et les conduits. La garantie ne couvre pas les éléments endommagés pendant l'installation.

1. Appliquez un cordon d'un produit d'étanchéité à base de silicone approuvé par la National Sanitation Foundation (NSF) sur le bord supérieur de la découpe du comptoir et sur la face inférieure de la bordure de montage de l'appareil. Le joint doit être prévu pour une utilisation à une température comprise entre -23°C (-10°F) et 121°C (250°F).

REMARQUE IMPORTANTE

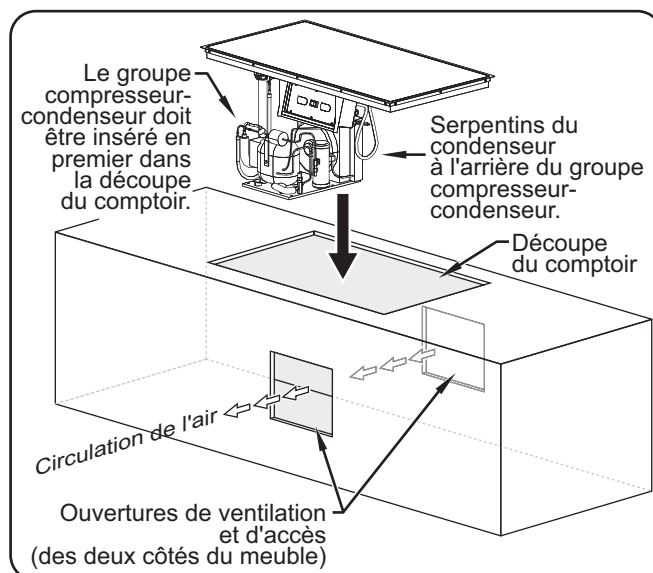
Lors de l'expédition, le groupe compresseur-condenseur n'est pas fixé à la plaque chauffante/réfrigérante. Ces deux éléments sont reliés uniquement par le conduit flexible raccordant le groupe compresseur-condenseur et le serpentin d'évaporateur de la plaque chauffante/réfrigérante. Lors de l'installation, manipulez l'appareil avec précaution et évitez au maximum de tirer sur le flexible.

2. Sortez la plaque chauffante/réfrigérante puis le groupe compresseur-condenseur de la structure d'expédition en bois et insérez-les avec précaution dans la découpe du comptoir. Cette étape doit être réalisée par au moins deux personnes.
 - Le groupe compresseur-condenseur doit être inséré en premier dans la découpe, puis fixé à une surface stable et plane située à moins de 1 219 mm (4') des fiches de raccordement de la partie inférieure de la plaque chauffante/réfrigérante. Veuillez vous référer à la partie CARACTÉRISTIQUES TECHNIQUES pour connaître les dimensions d'installation.
3. Installez le boîtier de commande à l'endroit souhaité (à distance, le cas échéant).
 - Le boîtier de commande peut être installé à une distance maximale de 1 219 mm (4') du groupe compresseur-condenseur. Reportez-vous à la procédure « Installation à distance du boîtier de commande » de la présente section.

ATTENTION

L'appareil/la surface d'installation **NE DOIT PAS** être penché une fois l'installation terminée : l'appareil n'est pas fixé et pourrait tomber. Il est uniquement destiné à une installation horizontale permanente.

4. Nettoyez minutieusement la surface chauffante/réfrigérante en vue de la mise en service. Pour les procédures de nettoyage adéquates, reportez-vous à la section Maintenance.
5. Branchez l'appareil à une prise de courant mise à la terre et présentant la tension, la taille et la configuration de fiche adéquates. Consultez la section CARACTÉRISTIQUES TECHNIQUES pour plus de détails.



Installation d'une plaque chauffante/réfrigérante modèle HCSBF

Installation d'une unité à montage sur la face inférieure du comptoir (modèles HCSSB et HCSSBF)

AVIS

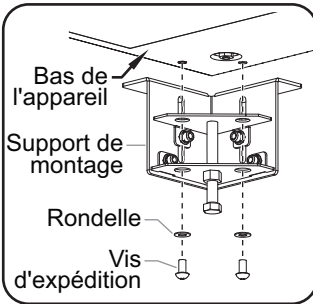
Lors de l'installation, manipulez l'appareil avec précaution et évitez au maximum de heurter les tuyaux et les conduites. La garantie ne couvre pas les éléments endommagés pendant l'installation.

NOTA: Des kits d'installation, comprenant un joint autocollant de masticage et un produit d'étanchéité à base de silicone coloré, sont disponibles en option. Reportez-vous à la section OPTIONS ET ACCESSOIRES.

1. Enlevez le support de montage de chaque angle de la plaque chauffante/réfrigérante. Pour ce faire :

a. Retirez les deux vis d'expédition et les rondelles utilisées pour fixer chaque support de montage à la partie inférieure de l'appareil.

b. Sortez avec précaution la plaque chauffante/réfrigérante de la structure d'expédition en bois et faites-la pivoter suffisamment pour que l'appareil puisse être reposé sur la structure (les supports de montage restent sur la structure ou tombent de l'appareil). Veillez à ne pas tirer ou endommager les flexibles du groupe compresseur-condenseur. Selon l'appareil, cette étape doit être réalisée par au moins deux personnes.



c. Si nécessaire, retirez les supports de montage de la structure.

2. Sur chaque support de montage, enlevez les vis d'expédition et le support d'expédition triangulaire utilisé pour attacher le support de montage à la partie inférieure de la plaque chauffante/réfrigérante, et mettez-les au rebut.

3. Installez un support de montage sur la face inférieure du comptoir, à chaque angle de la découpe.

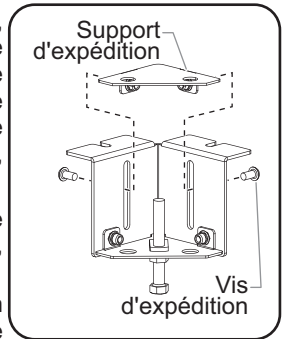
a. Alignez les encoches en forme de U du support de montage sur les deux trous pré-perçés sur la face inférieure du comptoir. La surface intérieure du support de montage doit être alignée verticalement sur la face intérieure de la découpe du comptoir.

b. Insérez les éléments de fixation adaptés dans le support de montage et les chevilles installées dans les trous de montage percés sur la face inférieure du comptoir. Serrez fermement.

4. Le cas échéant, installez le joint autocollant (en option) tout autour de la surface verticale de la découpe du comptoir.

- Le joint doit être positionné à 6 mm (1/4") en dessous de la surface supérieure du comptoir.

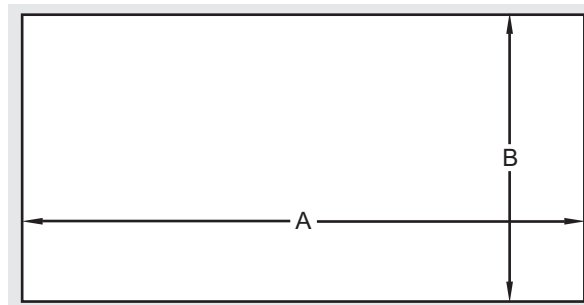
NOTA: Si vous ne disposez pas du joint autocollant en option, mastiquez le tour de la surface verticale de la découpe à 6 mm (1/4") en dessous de la surface supérieure du comptoir. Ainsi, le produit d'étanchéité à base de silicone qui sera appliqué ultérieurement ne pourra pas couler entre le comptoir et la plaque chauffante/réfrigérante.



Dimensions de découpe du comptoir (HCSBF)

Modèle	Largeur (A)	Profondeur (B)
HCSBF-24-F	625 to 635 mm (24-5/8" to 25")	409 to 419 mm (16-1/8" to 16-1/2")
HCSBF-24-I	625 to 635 mm (24-5/8" to 25")	511 to 521 mm (20-1/8" to 20-1/2")
HCSBF-24-S	625 to 635 mm (24-5/8" to 25")	625 to 635 mm (24-5/8" to 25")
HCSBF-36-F	930 to 940 mm (36-5/8" to 37")	409 to 419 mm (16-1/8" to 16-1/2")
HCSBF-36-I	930 to 940 mm (36-5/8" to 37")	511 to 521 mm (20-1/8" to 20-1/2")

Modèle	Largeur (A)	Profondeur (B)
HCSBF-36-S	930 to 940 mm (36-5/8" to 37")	625 to 635 mm (24-5/8" to 25")
HCSBF-48-F	1234 to 1245 mm (48-5/8" to 49")	409 to 419 mm (16-1/8" to 16-1/2")
HCSBF-48-I	1234 to 1245 mm (48-5/8" to 49")	511 to 521 mm (20-1/8" to 20-1/2")
HCSBF-48-S	1234 to 1245 mm (48-5/8" to 49")	625 to 635 mm (24-5/8" to 25")



5. Insérez avec précaution le groupe compresseur-condenseur puis la plaque chauffante/réfrigérante dans la découpe du comptoir. Cette étape doit être réalisée par au moins deux personnes.

- Le groupe compresseur-condenseur doit être inséré en premier dans la découpe, puis fixé à une surface stable et plane située à moins de 1 219 mm (4') des fiches de raccordement de la partie inférieure de la plaque chauffante/réfrigérante. Veuillez vous référer à la partie CARACTÉRISTIQUES TECHNIQUES pour connaître les dimensions d'installation.
 - La plaque chauffante/réfrigérante repose sur quatre vis de niveau qui font partie des supports de montage installés dans chaque angle de la découpe du comptoir.
6. Ajustez la vis de niveau située sous chaque coin de l'appareil de manière à ce que la plaque affleure ou soit légèrement en-dessous de la surface du comptoir.
7. Serrez le contre-écrou de chaque vis de niveau afin de la bloquer en position.
8. Appliquez un cordon d'un produit d'étanchéité à base de silicone approuvé par la National Sanitation Foundation (NSF) dans l'espace entre le comptoir et la plaque chauffante/réfrigérante. Pour appliquer un cordon d'étanchéité propre et régulier :
- a. Assurez-vous que la plaque est parfaitement centrée dans la découpe du comptoir.
 - b. Posez du ruban de masquage de chaque côté de l'espace afin de marquer les bords du joint d'étanchéité.
 - c. Appliquez soigneusement le produit d'étanchéité dans l'espace.
 - d. Lissez rapidement la surface du joint.
 - e. Retirez le ruban de masquage avec précaution avant que le produit d'étanchéité ne sèche.

NOTA: Le produit d'étanchéité à base de silicone doit être prévu pour une utilisation à une température comprise entre -23°C (-10°F) et 121°C (250°F).

ATTENTION

L'appareil/la surface d'installation NE DOIT PAS être penché une fois l'installation terminée : l'appareil n'est pas fixé et pourrait tomber. Il est uniquement destiné à une installation horizontale permanente.

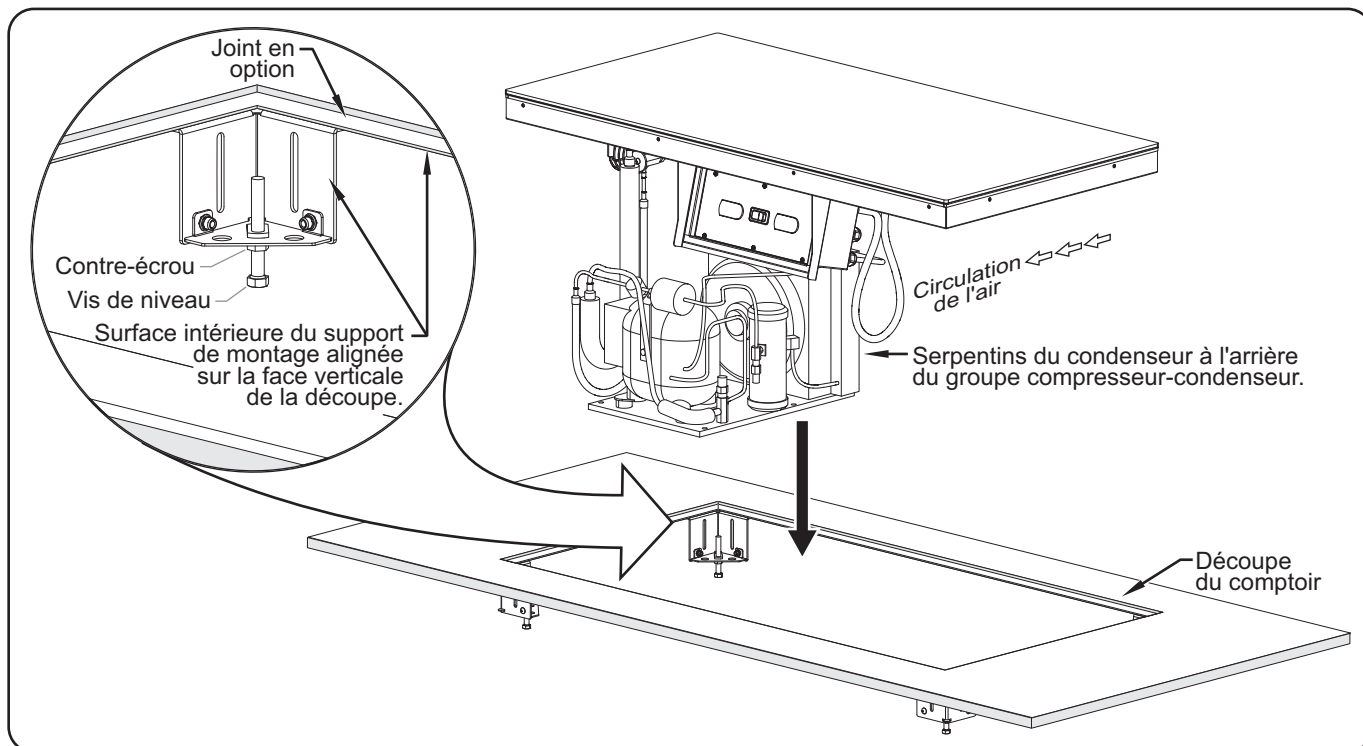
9. Installez le boîtier de commande à l'endroit souhaité (à distance, le cas échéant).
- Le panneau de contrôle peut être installé à une distance maximale de 1 219 mm (4') du groupe compresseur-condenseur. Reportez-vous à la procédure « Installation à distance du boîtier de commande ».
10. Nettoyez minutieusement la surface de la plaque chauffante/réfrigérante en vue de la mise en service. Pour les procédures de nettoyage adéquates, reportez-vous à la section Maintenance.
11. Branchez l'appareil à une prise de courant mise à la terre et présentant la tension, la taille et la configuration de fiche adéquates. Consultez la section CARACTÉRISTIQUES TECHNIQUES pour plus de détails.

Installation à distance du boîtier de commande

Suivez la procédure ci-dessous pour installer le boîtier de commande à une distance maximale de 1 219 mm (4') du groupe compresseur-condenseur.

AVERTISSEMENT

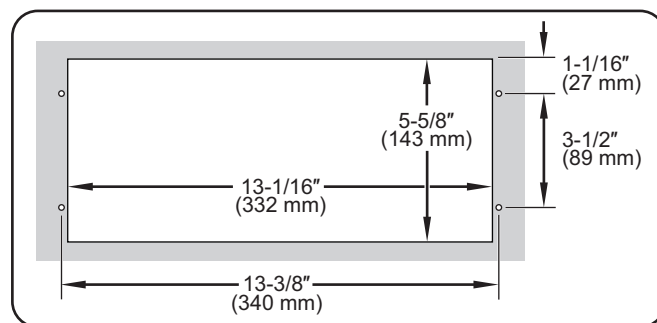
Le boîtier de commande doit être installé sur une surface verticale : l'installation sur une surface horizontale entraîne un risque d'accumulation de liquide et d'électrocution.



Installation d'une plaque chauffante/réfrigérante modèle HCSSBF

1. Retirez les six vis du couvercle du boîtier de commande et déposez le couvercle.
2. Installez le boîtier de commande dans la découpe prévue à cet effet, en le faisant passer par l'arrière.
3. Fixez le boîtier de commande à la surface verticale à l'aide de quatre vis (non fournies).
4. Réinstallez le couvercle sur le boîtier de commande et fixez-le à l'aide des six vis. Scellez le couvercle sur la surface de montage à l'aide d'un adhésif silicone.

NOTA: Veillez à ce que la largeur de la découpe du boîtier de commande n'excède pas la valeur indiquée ci-dessus.

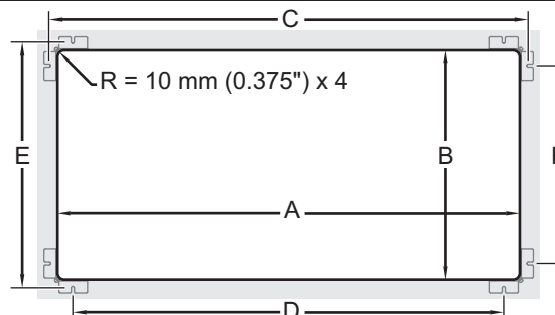


Dimensions de la découpe du boîtier de commande

Dimensions de découpe du comptoir et positionnement de la visserie de fixation

Modèle	Largeur de la découpe (A)	Profondeur de la découpe (B)	Position du trou de vissage (C)	Position du trou de vissage (D)	Position du trou de vissage (E)	Position du trou de vissage (F)
HCSSB-2418	619 mm (24-3/8")	467 mm (18-3/8")	670 mm (26-3/8")	533 mm (21")	517 mm (20-3/8")	380 mm (15")
HCSSB-3018	772 mm (30-3/8")	467 mm (18-3/8")	822 mm (32-3/8")	660 mm (26")	517 mm (20-3/8")	380 mm (15")
HCSSB-3618	924 mm (36-3/8")	467 mm (18-3/8")	974 mm (38-3/8")	837 mm (33")	517 mm (20-3/8")	380 mm (15")
HCSSB-4818	1229 mm (48-3/8")	467 mm (18-3/8")	1279 mm (50-3/8")	1142 mm (45")	517 mm (20-3/8")	380 mm (15")
HCSSBF-24-F	619 mm (24-3/8")	403 mm (15-7/8")	670 mm (26-3/8")	533 mm (21")	454 mm (17-7/8")	317 mm (12-1/2")
HCSSBF-24-I	619 mm (24-3/8")	505 mm (19-7/8")	670 mm (26-3/8")	533 mm (21")	555 mm (21-7/8")	418 mm (16-1/2")
HCSSBF-24-S	619 mm (24-3/8")	619 mm (24-3/8")	670 mm (26-3/8")	533 mm (21")	670 mm (26-3/8")	533 mm (21")
HCSSBF-36-F	924 mm (36-3/8")	403 mm (15-7/8")	974 mm (38-3/8")	837 mm (33")	454 mm (17-7/8")	317 mm (12-1/2")
HCSSBF-36-I	924 mm (36-3/8")	505 mm (19-7/8")	974 mm (38-3/8")	837 mm (33")	555 mm (21-7/8")	418 mm (16-1/2")
HCSSBF-36-S	924 mm (36-3/8")	619 mm (24-3/8")	974 mm (38-3/8")	837 mm (33")	670 mm (26-3/8")	533 mm (21")
HCSSBF-48-F	1229 mm (48-3/8")	403 mm (15-7/8")	1279 mm (50-3/8")	1142 mm (45")	454 mm (17-7/8")	317 mm (12-1/2")
HCSSBF-48-I	1229 mm (48-3/8")	505 mm (19-7/8")	1279 mm (50-3/8")	1142 mm (45")	555 mm (21-7/8")	418 mm (16-1/2")
HCSSBF-48-S	1229 mm (48-3/8")	619 mm (24-3/8")	1279 mm (50-3/8")	1142 mm (45")	670 mm (26-3/8")	533 mm (21")

Les supports de montage sont indiqués à titre de référence pour mieux visualiser la position des trous. Les trous doivent être pré-perçés sur la face inférieure du comptoir, à l'endroit où les supports seront installés.



Généralités

Suivez la procédure indiquée dans cette section pour utiliser une plaque chauffante/réfrigérante encastrable en mode CHAUD ou FROID.

⚠ AVERTISSEMENT

Lire tous les messages de sécurité de la section Consignes de sécurité importantes avant d'utiliser ce matériel.

Fonctionnement à chaud (mode CHAUD)

Suivez la procédure ci-dessous pour utiliser l'appareil en mode CHAUD.

⚠ ATTENTION

DANGER DE BRÛLURE : Certaines surfaces extérieures de l'appareil deviennent chaudes. Toucher ces zones de l'appareil avec précaution.

1. Pour les modèles HCSSB et HCSSBF, nettoyez et désinfectez la plaque en pierre à l'aide d'un chiffon propre et humide et d'un désinfectant agréé pour les surfaces en contact avec des aliments.
2. Mettez l'interrupteur marche/arrêt en position chaude ☺ « I » (marche).
 - Le régulateur de température numérique va être activé et la mention « ON » (marche) va s'afficher sur l'écran, ainsi que la température actuelle de l'appareil.
 - Le symbole ☺ va apparaître sur l'écran, indiquant que le groupe compresseur-condenseur est activé et refroidit la cuve.

NOTA: La température nominale CHAUDE de cet appareil est pré-réglée en usine à 82°C (180°F). Pour modifier la température nominale, veuillez vous référer à la section « Modification de la température nominale ».

⚠ AVERTISSEMENT

Hatco Corporation n'est pas responsable de la température réelle à laquelle les aliments sont servis. Il est de la responsabilité de l'utilisateur de s'assurer que la nourriture est conservée et servie à une température sans danger.

3. L'appareil requiert environ 30 minutes avant d'atteindre la température nominale.

4. Vérifiez sur l'écran que l'appareil a bien atteint la température nominale et placez les bacs contenant les aliments préchauffés sur la plaque.
 - Pour les modèles HCSBF, aucun produit alimentaire ne doit être déposé directement sur la surface en aluminium à revêtement dur : utilisez des bacs.

Arrêt

1. Réglez l'interrupteur I/O (marche / arrêt) en position « O » (arrêt). Le régulateur de température numérique et le groupe compresseur-condenseur vont s'éteindre.
2. Effectuez la procédure de « nettoyage quotidien » décrite dans la section Maintenance de ce manuel.

Fonctionnement à froid (mode FROID)

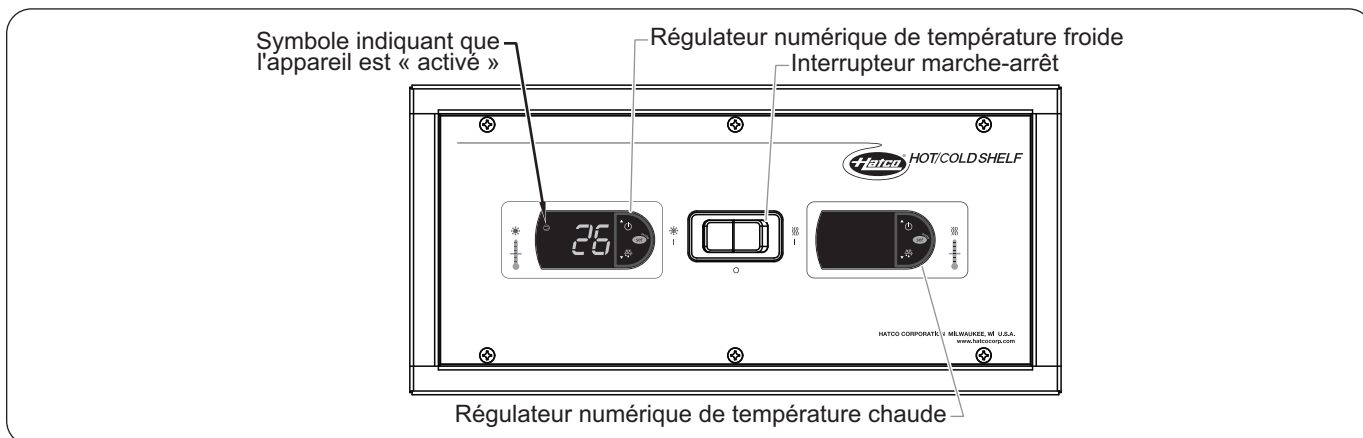
Utilisez la procédure suivante pour utiliser l'appareil en mode FROID.

AVIS

En cas d'expédition en hiver, stocker l'appareil dans un environnement à température ambiante adéquate pendant 10 heures afin d'éviter d'endommager le compresseur et/ou le circuit frigorifique. Si l'appareil est allumé et que vous constatez une vibration et des bruits excessifs, éteignez-le immédiatement et laissez-le chauffer un peu plus longtemps.

1. Pour les modèles HCSSB et HCSSBF, nettoyez et désinfectez la plaque en pierre à l'aide d'un chiffon propre et humide et d'un désinfectant agréé pour les surfaces en contact avec des aliments.
2. Mettez l'interrupteur marche/arrêt en position froide ❄ « I » (marche).
 - Le régulateur de température numérique va être activé et la mention « ON » (marche) va s'afficher sur l'écran, ainsi que la température actuelle de l'appareil.
 - Une durée préprogrammée de cinq minutes s'écoule avant le démarrage du groupe compresseur-condenseur. Il s'agit d'une sécurité visant à protéger l'appareil lors du passage du mode CHAUD au mode FROID.
 - Au bout de cinq minutes, le symbole ☺ s'affiche à l'écran, indiquant que le groupe compresseur-condenseur est activé et que la plaque est en cours de réfrigération.

NOTA: La température nominale FROIDE de cet appareil est pré-réglée en usine à -4°C (25°F). Si un réglage de la température nominale s'avère nécessaire en raison des conditions ambiantes, reportez-vous à la section « Modifier la température nominale ».



Boîtier de commande de la plaque chauffante/réfrigérante (en mode FROID)

3. L'appareil requiert environ 30 minutes avant d'atteindre la température nominale.
4. Vérifiez sur l'écran que l'appareil a bien atteint la température nominale et placez les bacs contenant les aliments pré-réfrigérés sur la plaque.
 - Pour les modèles HCSBF, aucun produit alimentaire ne doit être déposé directement sur la surface en aluminium à revêtement dur : utilisez des bacs.
 - Remuez fréquemment les aliments plus consistants afin de répartir le froid de manière uniforme.

⚠ AVERTISSEMENT

Hatco Corporation n'est pas responsable de la température réelle à laquelle les aliments sont servis. Il est de la responsabilité de l'utilisateur de s'assurer que la nourriture est conservée et servie à une température sans danger.

Arrêt

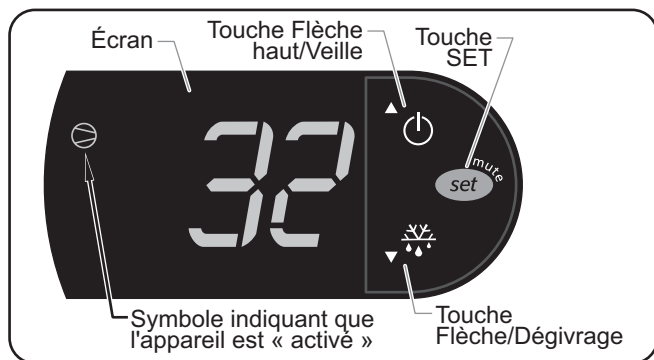
1. Réglez l'interrupteur I/O (marche / arrêt) en position « O » (arrêt). Le régulateur de température numérique et le groupe compresseur-condenseur vont s'éteindre.
2. Effectuez la procédure de « nettoyage quotidien » décrite dans la section Maintenance de ce manuel.

Modifier la température nominale

Suivez la procédure ci-dessous pour modifier la température nominale sur les deux régulateurs de température numériques. La température nominale du régulateur FROID est comprise entre -12°C (10°F) et 10°C (50°F). La température nominale du régulateur CHAUD est comprise entre 18°C (65°F) et 89°C (192°F).

NOTA: La température nominale doit être modifiée progressivement (de 1 ou 2 degrés). Attendez au minimum deux heures après un changement de température avant de vérifier le résultat.

1. Appuyez pendant une seconde sur la touche **set** jusqu'à ce que la température nominale actuelle clignote sur l'écran.
2. Appuyez sur la touche ▲ ou ▼ pour augmenter ou baisser la température nominale. Si vous n'appuyez sur aucune touche dans les 60 secondes, l'écran reprendra son fonctionnement normal et la température actuelle de l'appareil s'affichera sur l'écran.
3. Appuyez sur la touche **set** pour enregistrer la nouvelle température nominale. L'écran va revenir à l'affichage de la température actuelle de l'appareil.



Régulateur de température numérique

Programmer le cycle de dégivrage automatique (mode FROID)

Le régulateur numérique de température FROIDE est programmé en usine de manière à ce que le cycle de dégivrage automatique soit désactivé. Suivez la procédure suivante pour activer le ou les cycle, si les conditions ambiantes ou de fonctionnement nécessitent un dégivrage occasionnel de l'appareil. Quand un appareil entre dans un cycle de dégivrage, le symbole apparaîtra sur l'écran.

1. Appuyez sur la touche **set** pendant trois secondes pour accéder au mode de programmation. La mention « PS » (mot de passe) va s'afficher sur l'écran.
2. Appuyez à nouveau sur la touche **set**. Un chiffre va s'afficher sur l'écran.
3. Appuyez sur la touche ▲ ou ▼ jusqu'à ce que le chiffre « 22 » s'affiche sur l'écran, puis appuyez sur la touche **set**.
4. Utilisez la touche ▲ ou ▼ pour faire défiler les paramètres de programmation jusqu'à ce que la mention « dl » (intervalle de dégivrage) s'affiche sur l'écran.
5. Appuyez sur la touche **set** et sélectionnez « dl ». Le nombre de cycles de dégivrage actuel s'affichera sur l'écran. Pour la première mise en service de l'appareil, ce nombre sera « 0 ».
6. Appuyez sur la touche ▲ ou ▼ dans les 60 secondes pour faire défiler le nombre d'heures souhaité entre chaque cycle de dégivrage. Voici ci-dessous quelques exemples de fonctionnement du ou des cycle(s) de dégivrage :
 - « 0 » = le dégivrage automatique est désactivé
 - « 1 » = l'appareil effectuera un dégivrage toutes les heures
 - « 4 » = l'appareil effectuera un dégivrage toutes les quatre heures (recommandé)
 - « 12 » = l'appareil effectuera un dégivrage toutes les douze heures

Si vous n'appuyez sur aucune touche dans les 60 secondes, l'écran reprendra son fonctionnement normal et la température actuelle de l'appareil s'affichera sur l'écran.

7. Appuyez sur la touche **set** pour enregistrer le nouveau réglage du cycle de dégivrage.
8. Appuyez sur la touche **set** pendant trois secondes pour quitter le mode de programmation. L'écran va revenir à l'affichage de la température actuelle de l'appareil.

NOTA: Une fois qu'un cycle de dégivrage a commencé, il ne peut pas être annulé. Le processus de dégivrage dure environ 30 minutes.

Généralités

Les plaques chauffantes/réfrigérantes encastrables sont conçues pour une durabilité et une performance optimales avec un minimum d'entretien.

AVERTISSEMENT

DANGER DE DÉCHARGE ÉLECTRIQUE :

- Mettez l'interrupteur marche/arrêt hors tension, débranchez le cordon d'alimentation et laissez l'unité refroidir avant d'effectuer tout nettoyage, réglage ou entretien.
- **NE PAS immerger l'appareil ni le saturer d'eau.** L'appareil n'est pas étanche à l'eau. Ne pas le faire fonctionner s'il a été immergé ou saturé d'eau.
- Ne nettoyez pas l'appareil tant qu'il est sous tension ou chaud.
- L'appareil n'est pas conçu pour résister aux jets sous pression. Évitez d'utiliser un pulvérisateur à jet sous pression pour le nettoyer.
- L'entretien de cet appareil doit être effectué uniquement par le personnel qualifié. Tout entretien réalisé par des personnes non qualifiées peut entraîner des décharges électriques ou provoquer des brûlures.

DANGER D'INCENDIE: l'utilisation de produits chimiques agressifs (eau de Javel, produits nettoyants contenant de l'eau de Javel, produits de nettoyage de four, produits de nettoyage inflammables) est proscrite pour nettoyer l'appareil.

Cet appareil ne contient aucune pièce réparable par l'utilisateur. Si cet appareil doit être réparé, contacter un réparateur Hatco agréé ou le Service après-vente Hatco au 800-558-0607 ou 414-671-6350.

ATTENTION

Nettoyez et désinfectez correctement la surface en pierre après l'avoir dégrassée en profondeur à l'aide d'un abrasif et avant de placer des aliments sur l'appareil.

AVIS

Nettoyez l'unité quotidiennement pour éviter les dysfonctionnements et assurer un fonctionnement sain.

Utilisez uniquement des nettoyants non abrasifs et des chiffons doux. Les chiffons et nettoyant abrasifs pourraient rayer la finition de l'unité, altérant son apparence et la rendant vulnérable à l'accumulation de saleté.

N'utilisez pas de paille de fer pour le nettoyage. La paille de fer raye les finitions.

L'utilisation de produits chimiques agressifs tels que l'eau de javel, les produits nettoyants contenant de la javel, ou les produits de nettoyage pour les fours sont proscrits pour nettoyer l'appareil.

Nettoyage quotidien

Pour préserver l'aspect et les performances de l'appareil, appliquez quotidiennement les procédures de nettoyage suivantes.

1. Tous les jours, avant de mettre sous tension les modèles HCSSB et HCSSBF, nettoyez et désinfectez la plaque en pierre à l'aide d'un chiffon propre et humide et d'un désinfectant agréé pour les surfaces en contact avec des aliments. Si un nettoyage plus poussé s'avère nécessaire, reportez-vous à la section « Nettoyer la surface en pierre ».
2. À la fin de chaque journée :
 - a. Mettez l'interrupteur marche/arrêt en position « O » (arrêt) et laissez l'appareil refroidir/dégivrer.
 - b. Retirez et lavez tous les bacs alimentaires, si nécessaire.
 - c. Nettoyez la plaque à l'aide d'un chiffon ou d'une éponge propre et d'un détergent peu abrasif. Utilisez une éponge à récurer en plastique pour retirer toute particule solide de nourriture ou dépôt de minéraux.
 - d. Rincez abondamment la plaque à l'eau chaude afin d'éliminer tout résidu de produit de nettoyage.
 - e. Essuyez la plaque à l'aide d'un chiffon propre et désinfecté pour enlever toute trace de produit de nettoyage. Répétez l'opération jusqu'à ce qu'il n'y ait plus aucune trace de produit de nettoyage et que la plaque soit propre.
 - f. Essuyez l'ensemble de l'appareil avec un chiffon doux et sec.
 - g. Nettoyez l'extérieur des panneaux à persiennes ou à grille installés sur les ouvertures de ventilation du meuble.

Nettoyage de la surface en pierre (modèles HCSSB et HCSSBF)

Correctement utilisés, les produits mentionnés ci-dessous n'endommageront pas la surface en pierre (suivez les instructions indiquées sur l'étiquette des produits).

NOTA: Les surfaces en pierre sont en pierre artificielle.



Une fois la surface en pierre dégratée en profondeur à l'aide d'un abrasif, nettoyez-la et désinfectez-la correctement avant d'y déposer des produits alimentaires.

REMARQUE IMPORTANTE

Pour les appareils à montage sur la face inférieure du comptoir, un cordon de produit d'étanchéité à base de silicone est interposé entre l'appareil et le comptoir. Les tampons abrasifs doivent donc être utilisés avec précaution, en évitant tout contact avec le joint en silicone.

Taches tenaces

Pour les taches tenaces, utiliser le tampon abrasif fourni ainsi qu'un nettoyant abrasif de type Ajax, Comet, Bon Ami, Magic Scrub ou Bar Keeper's Friend. Des tampons abrasifs supplémentaires sont disponibles auprès de Hatco (réf. 04.39.049.00). **REMARQUE : utilisez uniquement le tampon abrasif fourni sur la surface en pierre.**

NOTA: N'utilisez pas de laine d'acier ou de tampon de décapage en métal.

Taches minérales

Pour les taches minérales, il est recommandé d'utiliser des nettoyants conçus pour nettoyer le fer ou la rouille, qui n'endommageront pas la surface en pierre.

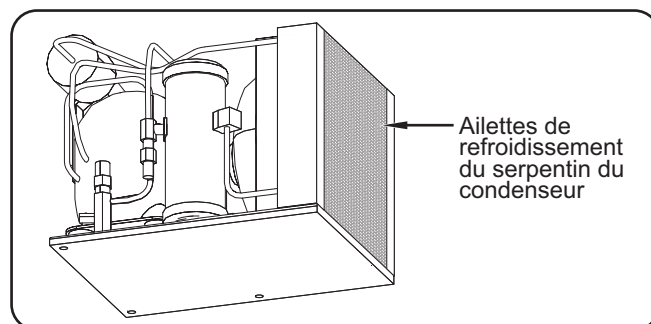
Rayures

Pour éliminer les rayures, utilisez d'abord du papier de verre à gros grain, puis à grain de plus en plus fin jusqu'à ce que les rayures disparaissent. Passez le tampon abrasif fourni sur toute la surface.

Nettoyage du groupe compresseur-condenseur

Réalisée tous les mois, la procédure suivante assure les performances et l'efficacité de l'appareil, tout en prévenant tout dysfonctionnement en mode FROID.

1. Retirez les panneaux à persiennes ou à grille installés sur les ouvertures de ventilation et nettoyez les deux côtés. La saleté et la poussière qui s'accumulent sur les panneaux risquent de limiter la circulation d'air dans le groupe compresseur-condenseur, entraînant une surchauffe.
2. Nettoyez les ailettes de refroidissement du serpentin du condenseur. La saleté, la poussière et les peluches accumulées dans les ailettes de refroidissement empêchent le fluide frigorigène de refroidir correctement dans le circuit de réfrigération. Les performances sont ainsi réduites et l'appareil risque de tomber en panne. Adoptez la procédure suivante pour nettoyer les ailettes de refroidissement du serpentin du condenseur :
 - Aspirez les ailettes de refroidissement.
 - Brossez les ailettes de refroidissement verticalement à l'aide d'une brosse adaptée. **REMARQUE : brossez les ailettes de refroidissement avec précaution, elles sont délicates et peuvent se plier facilement. N'utilisez PAS de brosse métallique.**



Ailettes de refroidissement du serpentin du condenseur

NOTA: La fréquence de nettoyage conseillée est d'une fois par mois. Elle peut être réduite ou accrue en fonction des conditions du lieu d'installation. Surveillez l'accumulation de la saleté, de la poussière et des peluches sur les panneaux et entre les ailettes de refroidissement. Augmentez ou réduisez la fréquence de nettoyage si nécessaire.

⚠ AVERTISSEMENT

La réparation de cet appareil doit être confiée exclusivement à du personnel qualifié. Les réparations par des personnes non qualifiées peuvent provoquer des décharges électriques et des brûlures.

⚠ AVERTISSEMENT

DANGER DE DÉCHARGE ÉLECTRIQUE: Mettez l'unité hors tension depuis l'interrupteur et débranchez le cordon d'alimentation avant d'effectuer tout nettoyage, tout réglage ou tout entretien.

Dépannage en mode CHAUD

Symptômes	Causes Probables	Action Correctrice
L'appareil n'est pas suffisamment chaud.	L'appareil n'a pas eu le temps de préchauffer.	Une durée de préchauffage de 30 minutes minimum doit être respectée.
	La température nominale est trop basse.	Réglez la température nominale du régulateur CHAUD sur une valeur plus élevée. Reportez-vous à la procédure « Modifier la température nominale » dans la section FONCTIONNEMENT.
	Le régulateur de température numérique ne fonctionne pas correctement.	Contactez votre agent de maintenance agréé ou Hatco pour toute demande d'assistance.
	L'élément chauffant ne fonctionne pas.	Contactez votre agent de maintenance agréé ou Hatco pour toute demande d'assistance.
	La tension d'alimentation est incorrecte.	Vérifiez que l'appareil est alimenté à la tension appropriée. L'appareil ne fonctionnera pas correctement si la tension d'alimentation est basse.
L'appareil est trop chaud.	La température nominale est trop élevée.	Réglez la température nominale du régulateur CHAUD sur une valeur plus basse. Reportez-vous à la procédure « Modifier la température nominale » dans la section FONCTIONNEMENT.
	Le régulateur de température numérique ne fonctionne pas correctement.	Contactez votre agent de maintenance agréé ou Hatco pour toute demande d'assistance.
	La tension d'alimentation est incorrecte.	Vérifiez que l'appareil est alimenté à la tension appropriée. Une tension trop élevée entraînera une surchauffe et risque d'endommager l'appareil.
Absence de chaleur.	Le disjoncteur s'est déclenché.	Réenclenchez le disjoncteur. Si le disjoncteur continue de se déclencher, contactez un agent de service agréé ou Hatco.
	L'interrupteur marche/arrêt ne fonctionne pas.	Contactez votre agent de maintenance agréé ou Hatco pour toute demande d'assistance.
	La régulation de température ne fonctionne pas correctement.	Contactez votre agent de maintenance agréé ou Hatco pour toute demande d'assistance.
	L'élément chauffant ne fonctionne pas.	Contactez votre agent de maintenance agréé ou Hatco pour toute demande d'assistance.

Dépannage en mode FROID

Symptômes	Causes Probables	Action Correctrice
L'appareil est trop froid.	Point de consigne de température trop bas.	Paramétrez une température nominale plus élevée. Reportez-vous à la procédure « Mode d'emploi » de cette section.
	Le régulateur de température numérique ne fonctionne pas correctement.	Contactez votre agent de maintenance agréé ou Hatco pour toute demande d'assistance.
L'appareil n'est pas suffisamment froid.	Les aliments n'ont pas été préalablement réfrigérés avant d'être placés dans l'appareil.	Ne placez que des aliments préalablement réfrigérés dans l'appareil.
	La température nominale est trop élevée.	Paramétrez une température nominale plus faible. Reportez-vous à la procédure « Mode d'emploi » de cette section.
	Le serpentín du condenseur et/ou les panneaux de ventilation sont bouchés.	Nettoyez le serpentín du condenseur et les panneaux de ventilation. Reportez-vous à la procédure « Nettoyage mensuel » de la section MAINTENANCE.
	Le régulateur de température numérique ne fonctionne pas correctement.	Contactez votre agent de maintenance agréé ou Hatco pour toute demande d'assistance.
	Le fluide frigorigène est faible ou fuit ou une panne interne est survenue dans le groupe compresseur-condenseur.	Contactez votre agent de maintenance agréé ou Hatco pour toute demande d'assistance.
L'appareil émet des vibrations et des bruits excessifs lorsqu'il est allumé.	Les composants internes n'ont pas été convenablement chauffés avant la mise en service.	Éteignez immédiatement l'appareil. L'appareil doit être stocké dans un environnement chaud, à une température de 65°F (18°C), pendant au moins 10 heures.
L'appareil ne refroidit pas.	Le délai de cinq minutes n'a pas été respecté avant le démarrage.	Attendez cinq minutes avant de lancer le démarrage. Après avoir mis l'appareil sous tension en mode FROID, une durée préprogrammée de cinq minutes s'écoule avant le démarrage du groupe compresseur-condenseur.
	Le disjoncteur s'est déclenché.	Redémarrez le coupe-circuit. Si le coupe-circuit continue de disjoncter, contactez un agent de service agréé ou Hatco pour obtenir une assistance.
	L'interrupteur marche/arrêt ne fonctionne pas.	Contactez votre agent de maintenance agréé ou Hatco pour toute demande d'assistance.
	Le régulateur de température numérique ne fonctionne pas correctement.	Contactez votre agent de maintenance agréé ou Hatco pour toute demande d'assistance.
	Le groupe compresseur-condenseur surchauffe.	Contactez votre agent de maintenance agréé ou Hatco pour toute demande d'assistance.
	Une panne interne est survenue dans le groupe compresseur-condenseur.	Contactez votre agent de maintenance agréé ou Hatco pour toute demande d'assistance.

Vous avez des questions en ce qui concerne les pannes ?

Si le problème persiste, veuillez contacter l'agence d'entretien agréée Hatco la plus proche ou Hatco pour obtenir une assistance. Pour trouver l'agence d'entretien la plus proche, rendez-vous sur le site Internet de Hatco (www.hatcocorp.com) et cliquez sur Trouver un agent d'entretien, ou contactez l'équipe d'entretien et de pièces détachées de Hatco :

Numéro de téléphone: 800-558-0607 ou 414-671-6350

Courriel: partsandservice@hatcocorp.com

Kits d'installation

Des kits d'installation sont disponibles pour l'installation des modèles HCSSB et HCSSBF à montage sur la face inférieure du comptoir.

SILGASK.....Inclut un joint autocollant en silicone de 3 810 mm (12-1/2').

SILGASK-SBK.....Inclut un joint autocollant en silicone de 3 810 mm (12-1/2') et un tube de mastic silicone noir.

SILGASK-SGRY.....Inclut un joint autocollant en silicone de 3 810 mm (12-1/2') et un tube de mastic silicone gris.

GARANTIE LIMITÉE

1. GARANTIE DU PRODUIT

Hatco garantit que les produits qu'il fabrique (les « Produits ») sont exempts de défauts de matériel et de fabrication, dans des conditions normales d'utilisation et de maintenance, pour une période d'un (1) an à partir de la date d'achat à condition que l'appareil soit installé et entretenu conformément aux instructions écrites de Hatco ou 18 mois après la date de l'expédition par Hatco. L'acheteur doit prouver la date d'achat du Produit par l'enregistrement du produit auprès de Hatco ou par d'autres moyens satisfaisants pour Hatco, à sa seule discrétion.

Hatco garantit que les composants du Produit suivants sont exempts de défauts de matériel et de fabrication à partir de la date d'achat (sous réserve des conditions précédentes) pour la ou les périodes de temps et en fonction des conditions listées ci-dessous :

a) Garantie d'un (1) an pour les pièces et la main-d'œuvre PLUS un an (1) supplémentaire pour les pièces uniquement :

Éléments du grille-pain à convoyeur (enveloppe métallique)
 Éléments des tiroirs chauffants (enveloppe métallique)
 Tiroirs, roues et glissières des tiroirs chauffants
 Éléments des rampes chauffantes (enveloppe métallique)
 Éléments des vitrines chauffantes
 (enveloppe métallique, air chauffant)
 Éléments des armoires de stockage
 (enveloppe métallique, air chauffant)
 Éléments des compartiments chauffants —
 série HW et HWB (enveloppe métallique)

b) Garantie d'un (1) an pour les pièces et la main-d'œuvre PLUS quatre (4) ans pour les pièces uniquement :

Cuves 3CS et FR

c) Garantie d'un (1) an pour les pièces et la main-d'œuvre PLUS neuf (9) ans pour les pièces uniquement :

Cuves des appareils de chauffage d'appoint électriques
 Cuves des appareils de chauffage d'appoint à gaz

d) Garantie de quatre-vingt-dix (90) jours pour les pièces uniquement :

Pièces de rechange

Extension de garantie de quatre ans pour les pièces

Une extension de garantie de quatre ans pour les pièces est en option pour le compresseur lors de l'achat. Cette garantie prend effet à expiration de la garantie standard d'un an.

LES GARANTIES PRÉCÉDENTES SONT EXCLUSIVES ET REMPLACENT TOUTES AUTRES GARANTIES, EXPRESSES OU IMPLICITES, COMPRENANT, MAIS NE SE LIMITANT PAS À, TOUTES GARANTIES IMPLICITES DE QUALITÉ MARCHANDE OU DE FINALITÉ PARTICULIÈRE OU TOUTES BREVETS OU TOUTES AUTRES ATTEINTES AUX DROITS DE LA PROPRIÉTÉ INTELLECTUELLE. Sans restreindre la portée générale des énoncés précédents, CES GARANTIES NE COUVRENT PAS : Ampoules d'éclairage à incandescence enduites, lumières fluorescentes, ampoules de lampes chauffantes, ampoules d'éclairage à halogène enduites, ampoules de lampes chauffantes au xénon, tubes d'éclairage DEL, composants en verre et fusibles ; défaut de produit dans la cuve d'un appareil de chauffage d'appoint, dans un échangeur de chaleur à tubes à ailettes ou tout autre équipement de chauffage d'eau causé par la calcification, l'accumulation de sédiments, la réaction d'un produit chimique ou le gel ; ou une mauvaise utilisation, une manipulation ou une mauvaise application, une installation inappropriée du Produit ou l'utilisation d'une tension inappropriée.

2. LIMITES DES RECOURS ET DES DOMMAGES

La responsabilité de Hatco et la seule voie de recours de l'Acheteur prévues par les présentes seront limitées exclusivement, au gré de Hatco, à la réparation ou au remplacement à l'aide de pièces ou de Produits nouveaux ou remis à neuf par Hatco ou un centre de réparation agréé par Hatco (sauf si l'Acheteur se situe hors des États-Unis, du Canada, du Royaume-Uni ou de l'Australie, auquel cas la responsabilité de Hatco et la seule voie de recours de l'Acheteur seront limitées exclusivement au remplacement des pièces concernées par la garantie) à l'égard de toute revendication effectuée dans les délais de garantie applicables mentionnés ci-dessus. Hatco se réserve le droit d'accepter ou de rejeter toute réclamation en partie ou dans son intégralité. Dans le cadre de cette Garantie limitée, « remis à neuf » signifie une pièce ou un Produit dont les caractéristiques techniques d'origine ont été restaurées par Hatco ou un centre de réparation agréé par Hatco. Hatco n'acceptera aucun retour de Produits sans qu'il n'ait auparavant donné son accord écrit, et tous ces retours approuvés doivent être effectués aux seuls frais de l'Acheteur. HATCO NE SERA PAS TENU RESPONSABLE, DANS AUCUNE CIRCONSTANCE, DES DOMMAGES CONSÉCUTIFS OU INDIRECTS, COMPRENANT, MAIS NE SE LIMITANT PAS À, LES COÛTS DE MAIN-D'ŒUVRE OU PERTES DE PROFITS DUS À UNE UTILISATION OU À UNE IMPOSSIBILITÉ D'UTILISER LES PRODUITS OU DUS AU FAIT QUE LES PRODUITS ONT ÉTÉ INTÉGRÉS DANS OU QU'ILS SONT DEVENUS UN COMPOSANT DE TOUT AUTRE PRODUIT OU BIEN.

AUTHORIZED PARTS DISTRIBUTORS • AUTORISÉS DISTRIBUTEURS DE PIÈCES

ALABAMA

Jones McLeod Appl. Svc.
Birmingham 205-251-0159

ARIZONA

Service Solutions Group
Phoenix 602-234-2443

Byassee Equipment Co.
Phoenix 602-252-0402

CALIFORNIA

Industrial Electric
Commercial Parts & Service, Inc.
Huntington Beach 714-379-7100

Chapman Appl. Service
San Diego 619-298-7106

P & D Appliance
Commercial Parts & Service, Inc.
S. San Francisco 650-635-1900

COLORADO

Hawkins Commercial Appliance
Englewood 303-781-5548

FLORIDA

Whaley Foodservice Repair
Jacksonville 904-725-7800

Whaley Foodservice Repair
Orlando 407-757-0851

B.G.S.I.
Pompano Beach 954-971-0456

Comm. Appliance Service
Tampa 813-663-0313

GEORGIA

TWC Services
Mableton 770-438-9797

Heritage Service Group
Norcross 866-388-9837

Southeastern Rest. Svc.
Norcross 770-446-6177

HAWAII

Burney's Comm. Service, Inc.
Honolulu 808-848-1466

Food Equip Parts & Service
Honolulu 808-847-4871

ILLINOIS

Parts Town
Lombard 708-865-7278

Eichenauer Elec. Service
Decatur 217-429-4229

Midwest Elec. Appl. Service
Elmhurst 630-279-8000

Cone's Repair Service
Moline 309-797-5323

INDIANA

GCS Service
Indianapolis 800-727-8710

IOWA

Goodwin Tucker Group
Des Moines 515-262-9308

KENTUCKY

Service Solutions Group
Lexington 859-254-8854

Service Solutions Group
Louisville 502-451-5411

LOUISIANA

Chandlers Parts & Service
Baton Rouge 225-272-6620

MARYLAND

Electric Motor Service
Baltimore 410-467-8080

GCS Service
Silver Spring 301-585-7550

MASSACHUSETTS

Ace Service Co., Inc.
Needham 781-449-4220

MICHIGAN

Bildons Appliance Service
Detroit 248-478-3320

Commercial Kitchen Service
Bay City 989-893-4561

Midwest Food Equip. Service
Grandville 616-261-2000

MINNESOTA

GCS Service
Minnetonka 800-822-2303
x20365

MISSOURI

General Parts
Kansas City 816-421-5400

Commercial Kitchen Services
St. Louis 314-890-0700

Kaemmerlen Parts & Service
St. Louis 314-535-2222

NEBRASKA

Anderson Electric
Omaha 402-341-1414

NEVADA

Burney's Commercial
Las Vegas 702-736-0006

Hi. Tech Commercial Service
N. Las Vegas 702-649-4616

NEW JERSEY

Jay Hill Repair
Fairfield 973-575-9145

Service Plus
Flanders 973-691-6300

NEW YORK

Acme American Repairs, Inc.
Brooklyn 718-456-6544

Alpro Service Co.
Brooklyn 718-386-2515

Appliance Installation
Buffalo 716-884-7425

Duffy's Equipment Services, Inc.
Buffalo 800-836-1014

3Wire Northern
Plattsburgh 800-634-5005

Duffy's Equipment Services, Inc.
Sauquoit 800-836-1014

J.B. Brady, Inc.
Syracuse 315-422-9271

NORTH CAROLINA

Authorized Appliance
Charlotte 704-377-4501

OHIO

Akron/Canton Comm. Svc. Inc.
Akron 330-753-6634

Service Solutions Group
Cincinnati 513-772-6600

Commercial Parts and Service
Columbus 614-221-0057

Electrical Appl. Repair Service
Brooklyn Heights 216-459-8700

E. A. Wichman Co.
Toledo 419-385-9121

OKLAHOMA

Hagar Rest. Service, Inc.
Oklahoma City 405-235-2184

Krueger, Inc.
Oklahoma City 405-528-8883

OREGON

Ron's Service, Inc.
Portland 503-624-0890

PENNSYLVANIA

Elmer Schultz Services
Philadelphia 215-627-5401

FAST Comm. Appl. Service
Philadelphia 215-288-4800

Appliance Installation & Service
Pittsburgh 412-809-0244

K & D Service Co.
Harrisburg 717-236-9039

Electric Repair Co.
Reading 610-376-5444

RHODE ISLAND

Marshall Electric Co.
Providence 401-331-1163

SOUTH CAROLINA

Whaley Foodservice Repair
Lexington 803-996-9900

TENNESSEE

Camp Electric
Memphis 901-527-7543

TEXAS

GCS Service
Fort Worth 800-433-1804

Armstrong Repair Service
Houston 713-666-7100

Cooking Equipment Specialist
Mesquite 972-686-6666

Commercial Kitchen Repair Co.
San Antonio 210-735-2811

UTAH

La Monica's Rest. Equip. Service
Murray 801-263-3221

VIRGINIA

Daubers
Norfolk 757-855-4097

Daubers
Springfield 703-866-3600

WASHINGTON

3Wire Restaurant Appliance
Seattle 800-207-3146

WISCONSIN

A.S.C., Inc.
Madison 608-246-3160

A.S.C., Inc.
Milwaukee 414-543-6460

CANADA

ALBERTA

Key Food Equipment Service
Edmonton 780-438-1690

BRITISH COLUMBIA

Key Food Equipment Service
Vancouver 604-433-4484

Key Food Equipment Service
Victoria 250-920-4888

MANITOBA

Air Rite, Inc.
Winnipeg 204-895-2300

NEW BRUNSWICK

EMR Services, Ltd.
Moncton 506-855-4228

ONTARIO

R.G. Henderson Ltd.
Toronto 416-422-5580

Choquette - CKS, Inc.
Ottawa 613-739-8458

QUÉBEC

Choquette - CKS, Inc.
Montreal 514-722-2000

Choquette - CKS, Inc.
Québec City 418-681-3944

UNITED KINGDOM

Marren Group
Northants +44(0)1933 665313

HATCO CORPORATION
P.O. Box 340500
Milwaukee, WI 53234-0500 U.S.A.
800-558-0607 414-671-6350
partsandservice@hatcocorp.com
www.hatcocorp.com

Register your unit online!
See IMPORTANT OWNER INFORMATION
section for details.