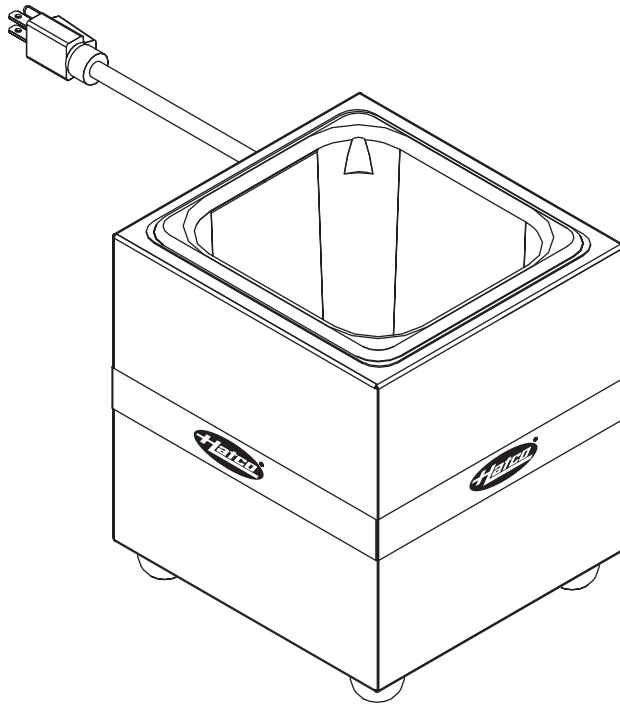




GLO-RAY[®] Que Warmer

QW-6 Series



**REPLACEMENT
PARTS LIST**

HATCO GLO-RAY QUE WARMER QW-6 SERIES

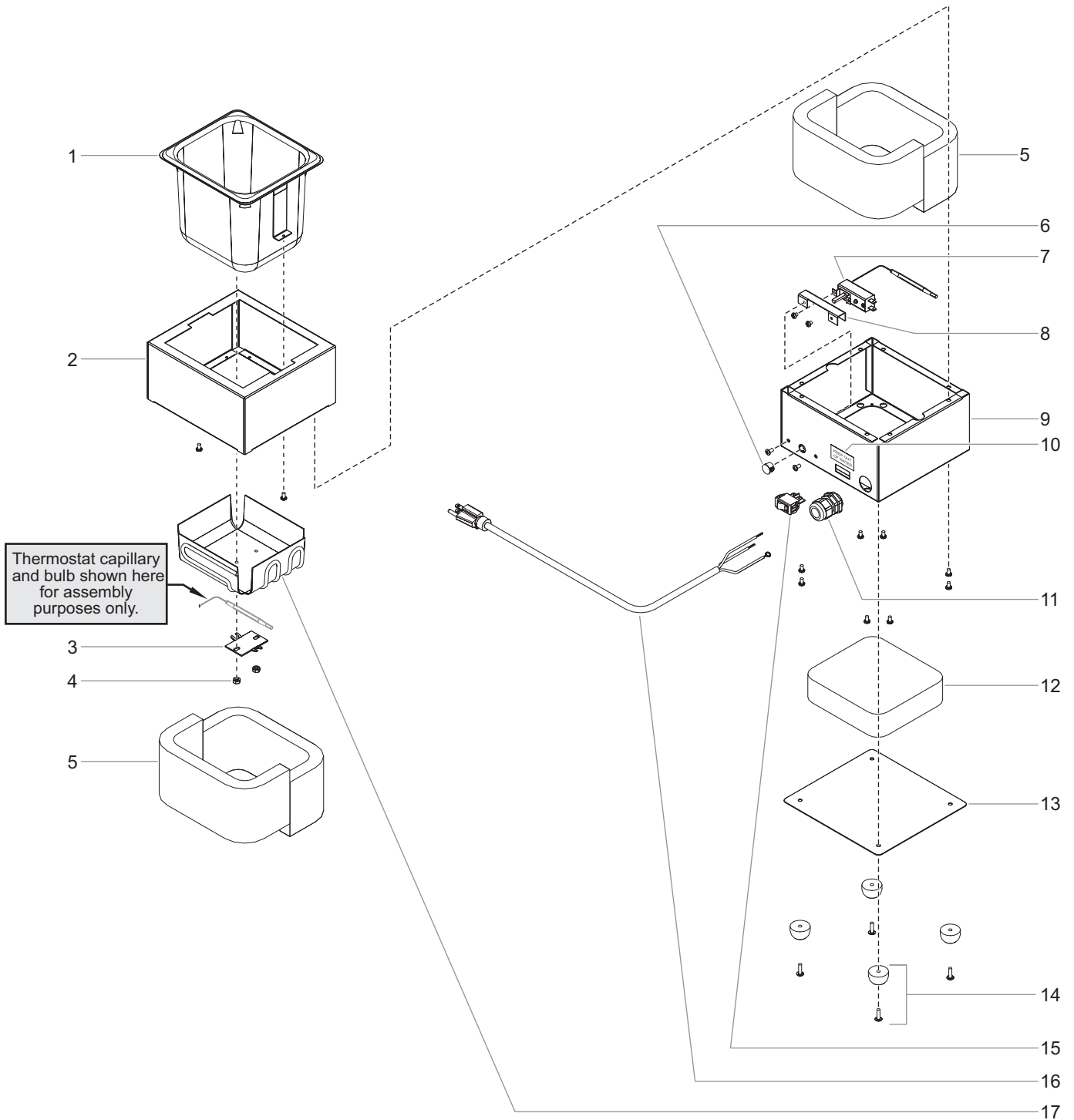
Model Designation

QW-6

Que Warmer

Size of Built-In Pan

6 = 1/6 size Steam Table Pan



Thermostat capillary and bulb shown here for assembly purposes only.

CAUTION

Use of replacement parts other than those supplied by Hatco Corporation may result in damage to the unit or injury to personnel.

24/7 24 Hour 7 Day Parts and Service Assistance available in the United States and Canada by calling (800) 558-0607.



PARTS COMMON TO ALL QW-6 MODELS

Item	Description	Part No.	Qty.	Item	Description	Part No.	Qty.
1	Pan Assembly, 1/6 Size	04.10.134.00	1	8	Bracket, T-Stat Body	04.19.522.00	1
2	Top Casing	04.10.133.00	1	9	Bottom Casing	04.10.132.00	1
3	Bracket, T-Stat Bulb	04.10.137.00	1	10	Label, Keep out of Water	07.03.075.00	1
4	Nut, T-Stat Bulb Bracket	05.04.023.00	2	11	Cord Grip Assembly	02.20.259.00	1
5	Insulation, Sides	05.05.121.00	4	12	Insulation, Bottom	05.05.122.00	1
6	Snap Plug	02.20.201.00	1	13	Bottom Cover	04.10.131.00	1
7	Thermostat Control	R02.16.060A.00	1	14	Foot Assembly	R05.30.029.00	4

PARTS SPECIFIC TO MODEL QW-6					
Item	Description	100V	120V	208V	240V
15	On/Off Switch, Lighted	----	02.19.080.00	----	----
16	Power Cord/Plug	----	R02.18.030.00	----	----
17	Heating Blanket, 110W	----	02.05.661.00	----	----
	Electrical Diagram	----	10-01-199	----	----

NOTE: The last four digits in a ten digit numerical serial number is the manufacturing date code.

Example: Serial number 9625060751 has a date code of "0751" which indicates the following: 07 51
└─── Year 2007
└─── Week Fifty-One

HATCO AUTHORIZED PARTS DISTRIBUTORS

ALABAMA

Jones McLeod Appl. Svc.
Birmingham 205-251-0159

ARIZONA

Auth. Comm. Food Equip.
Phoenix 602-234-2443

Byassee Equipment Co.
San Diego 602-252-0402

CALIFORNIA

Industrial Electric
Commercial Parts & Service, Inc.
Huntington Beach 714-379-7100

Chapman Appl. Service
San Diego 619-298-7106

P & D Appliance
Commercial Parts & Service, Inc.
S. San Francisco 650-635-1900

COLORADO

Hawkins Commercial Appliance
Englewood 303-781-5548

FLORIDA

Whaley Foodservice Repair
Jacksonville 904-725-7800

Nass Service Co., Inc.
Orlando 407-425-2681

B.G.S.I.
Pompano Beach 954-971-0456

Comm. Appliance Service
Tampa 813-663-0313

GEORGIA

TWC Services
Smyrna 770-438-9797

Heritage Service Group
Norcross 866-388-9837

Southeastern Rest. Svc.
Norcross 770-446-6177

HAWAII

Burney's Comm. Service, Inc.
Honolulu 808-848-1466

Food Equip Parts & Service
Honolulu 808-847-4871

ILLINOIS

Parts Town
Lombard 708-865-7278

Eichenauer Elec. Service
Decatur 217-429-4229

Midwest Elec. Appl. Service
Elmhurst 630-279-8000

Cone's Repair Service
Moline 309-797-5323

INDIANA

GCS Service
Indianapolis 317-545-9655

IOWA

Electric Motor Service Co.
Davenport 319-323-1823

Goodwin Tucker Group
Des Moines 515-262-9308

KENTUCKY

Certified Service Center
Lexington 859-254-8854

Certified Service Center
Louisville 502-964-7007

LOUISIANA

Chandlers Parts & Service
Baton Rouge 225-272-6620

MARYLAND

Electric Motor Service
Baltimore 410-467-8080

GCS Service
Silver Spring 301-585-7550

MASSACHUSETTS

Ace Service Co., Inc.
Needham 781-449-4220

MICHIGAN

Commercial Kitchen Service
Bay City 517-893-4561

Bildons Appliance Service
Detroit 248-478-3320

Midwest Food Equip. Service
Grandville 616-261-2000

MINNESOTA

GCS Service
Minneapolis 612-546-4221

MISSOURI

General Parts
Kansas City 816-421-5400

Commercial Kitchen Services
St. Louis 314-890-0700

Kaemmerlen Parts & Service
St. Louis 314-535-2222

NEBRASKA

Anderson Electric
Omaha 402-341-1414

NEVADA

Burney's Commercial
Las Vegas 702-736-0006

Hi. Tech Commercial Service
N. Las Vegas 702-649-4616

NEW JERSEY

Jay Hill Repair
Fairfield 973-575-9145

Service Plus
Flanders 973-691-6300

NEW YORK

Acme American Repairs, Inc.
Brooklyn 718-456-6544

Alpro Service Co.
Brooklyn 718-386-2515

Appliance Installation
Buffalo 716-884-7425

Northern Parts Dist.
Plattsburgh 518-563-3200

J.B. Brady, Inc.
Syracuse 315-422-9271

NORTH CAROLINA

Authorized Appliance
Charlotte 704-377-4501

OHIO

Akron/Canton Comm. Svc. Inc.
Akron 330-753-6635

Certified Service Center
Cincinnati 513-772-6600

Commercial Parts and Service
Columbus 614-221-0057

Electrical Appl. Repair Service
Independence 216-459-8700

E. A. Wichman Co.
Toledo 419-385-9121

OKLAHOMA

Hagar Rest. Service, Inc.
Oklahoma City 405-235-2184

Krueger, Inc.
Oklahoma City 405-528-8883

OREGON

Ron's Service, Inc.
Portland 503-624-0890

PENNSYLVANIA

Elmer Schultz Services
Philadelphia 215-627-5401

FAST Comm. Appl. Service
Philadelphia 215-288-4800

Appliance Installation & Service
Pittsburgh 412-809-0244

K & D Service Co.
Harrisburg 717-236-9039

Electric Repair Co.
Reading 610-376-5444

RHODE ISLAND

Marshall Electric Co.
Providence 401-331-1163

SOUTH CAROLINA

Whaley Foodservice Repair
W. Columbia 803-791-4420

TENNESSEE

Camp Electric
Memphis 901-527-7543

TEXAS

GCS Service
Fort Worth 817-831-0381

Armstrong Repair Service
Houston 713-666-7100

Commercial Kitchen Repair Co.
San Antonio 210-735-2811

UTAH

La Monica's Rest. Equip. Service
Murray 801-263-3221

VIRGINIA

Daubers
Norfolk 757-855-4097

Daubers
Springfield 703-866-3600

WASHINGTON

Restaurant Appl. Service
Seattle 206-524-8200

WISCONSIN

A.S.C., Inc.
Madison 608-246-3160

A.S.C., Inc.
Milwaukee 414-543-6460

CANADA

ALBERTA

Key Food Equipment Service
Edmonton 780-438-1690

BRITISH COLUMBIA

Key Food Equipment Service
Vancouver 604-433-4484

MANITOBA

Air Rite, Inc.
Winnipeg 204-895-2300

NEW BRUNSWICK

EMR Services, Ltd.
Moncton 506-855-4228

ONTARIO

R.G. Henderson Ltd.
Toronto 416-422-5580

Choquette CKS
Ottawa 613-739-8458

QUÉBEC

Choquette CKS
Montreal 514-722-2000

Choquette CKS
Québec City 418-681-3944

HATCO CORPORATION
P.O. Box 340500
Milwaukee, WI 53234-0500 U.S.A.
(800) 558-0607 (414) 671-6350
Parts and Service Fax (800) 690-2966
International Fax (414) 671-3976
www.hatcocorp.com