



**IMPORTANT NOTE:**

Locate the Specification Label on unit to determine exact Model Name and electrical specifications. This information is needed to identify the correct replacement parts. See exploded view illustration(s) for Specification Label location.



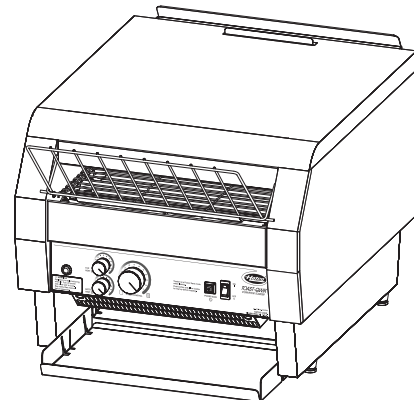
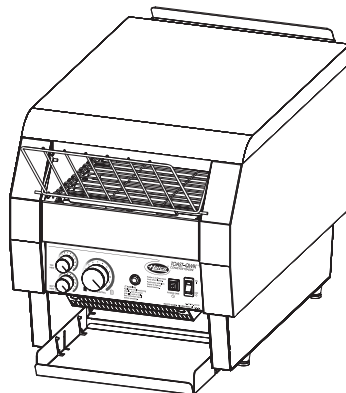
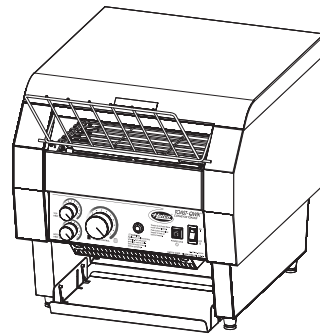
Use of replacement parts other than those supplied by Hatco Corporation may result in damage to unit or injury to personnel and will void all warranties.

# Toast-Qwik®

## Electric Conveyor Toasters

### TQ-10, -15, -400, -800, -1200, -1800, -20BA Series

<u>Model Name</u>	<u>Page(s)</u>	<u>Model Name</u>	<u>Page(s)</u>	<u>Model Name</u>	<u>Page(s)</u>
Common Parts .....	2,3,4	TQ-800 .....	3,11	TQ-1200 .....	3,17
TQ-10 .....	2,4	TQ-805 .....	3,12	TQ-1800 .....	3,18
TQ-15 .....	2,5	TQ-800H .....	3,13	TQ-1800H .....	3,19
TC-DON .....	2,6	TQ-800BA .....	3,14	TQ-1800BA .....	3,20
TQ-400 .....	3,7	TQ-800HBA.....	3,15	TQ-1800HBA.....	3,21
TQ-405 .....	3,8	TQ-800BA-DUNKIN..	3,16	TQ-20BA .....	22
TQ-400H .....	3,9			Addendum.....	24
TQ-400BA .....	3,10				



# Replacement Parts List

# HATCO TOAST-QWIK® ELECTRIC CONVEYOR TOASTERS

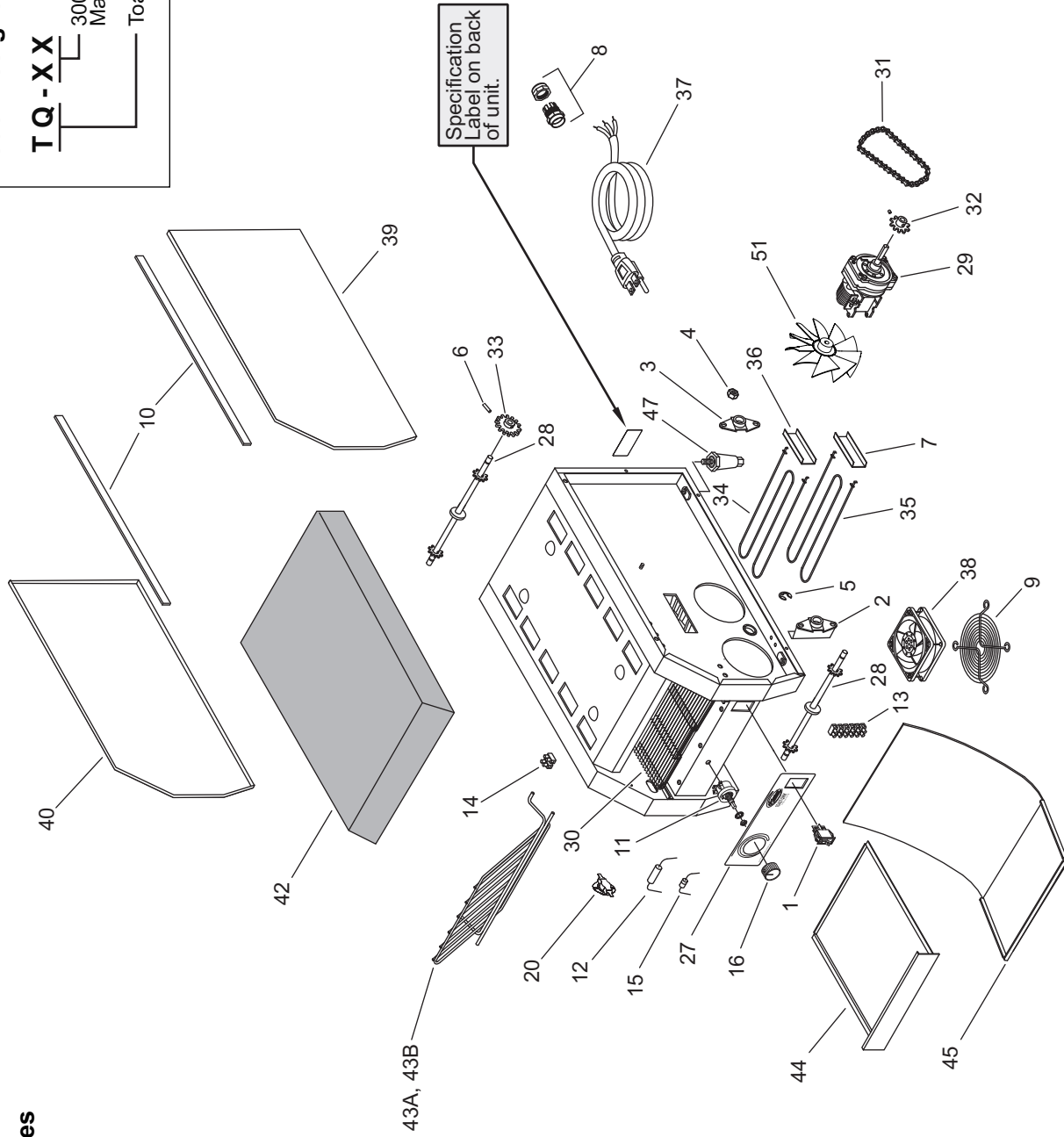
TQ-10, -15, TC-DON Series

## Model Designation

T Q - X X

300 Slices per Hour  
Maximum

Toast Qwik



# HATCO TOAST-QWIK® ELECTRIC CONVEYOR TOASTERS

TQ-400, -405, -800, -805, -1200, 1800 Series

## Model Designation

T Q - X X X X X X X

H = Opening Height 3" (76 mm)

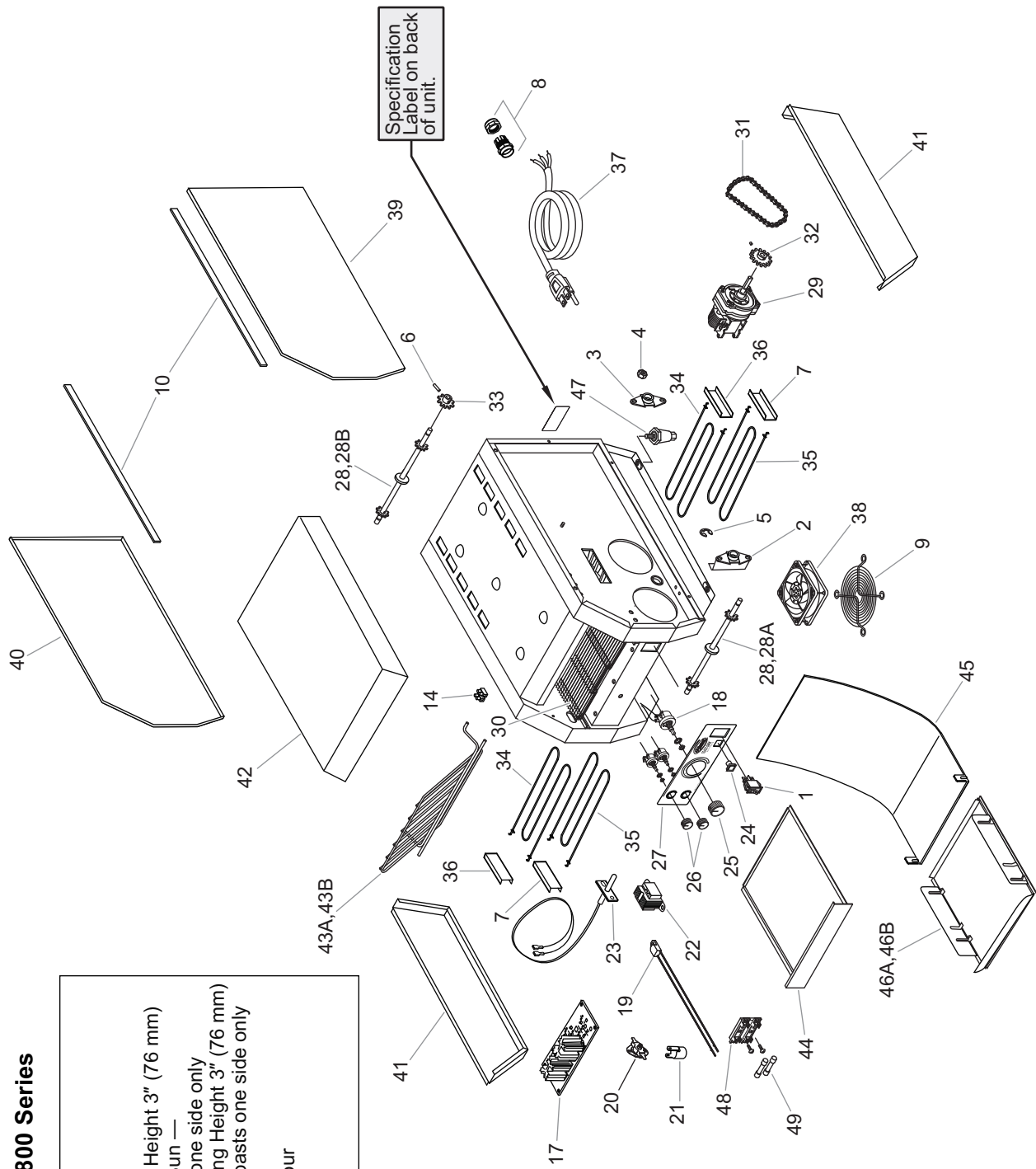
BA = Bagel/Bun

Toasts one side only

HBA = Opening Height 3" (76 mm)  
and Toasts one side only

Maximum  
Slices per Hour

Toast Qwik



**PARTS COMMON TO ALL TQ-10, -15, -400, -405, -800, -805, -1200, -1800, and TC-DON MODELS**

ITEM	DESCRIPTION	PART NO.	QTY.	ITEM	DESCRIPTION	PART NO.	QTY.
1	On/Off Switch ◆	02.19.161.00	1-2	6	Spring Pin	05.08.006.00	1
2	Bearing with Bracket	04.05.286.00	2	7	Bracket, Lower Element	04.05.336.00	1-2
3	Bearing with Nuts	04.05.387.00	2	8	Cord Grip	R02.20.259.00	1
4	Keys Nut	05.04.023.00	4	9	Fan Guard	02.12.063.00	1
5	Retaining Ring	05.11.035.00	2	10	Gasket	05.06.028.00	3 Feet

◆ TQ-10 and TQ-15 models manufactured after August 1, 2003 use two On/Off switches; one for the top heat circuit and one for the bottom heat circuit.

**PARTS SPECIFIC TO MODEL TQ-10**

Item	Description	120V 60 Hz	208V 60 Hz	240V 60 Hz	200V 50/60 Hz	220V 50 Hz	220V 60 Hz	240V 50 Hz	220-230V CE 50 Hz	230-240V CE 50 Hz
11	Speed Control - Rheostat †	R02.13.111.00	R02.13.111.00	R02.13.125.00	R02.13.125.00	---	---	---	R02.13.125.00	R02.13.125.00
12	Resistor - 100 Ohm	---	---	---	---	---	---	---	02.13.325.00	02.13.325.00
13	Terminal Block - 6 Pole	02.15.034.00	02.15.034.00	02.15.034.00	02.15.034.00	---	---	---	02.15.034.00	02.15.034.00
14	Terminal Block - 2 Pole	R02.15.045.00	R02.15.045.00	R02.15.045.00	R02.15.045.00	---	---	---	R02.15.045.00	R02.15.045.00
15	Diode	02.40.002.00	02.40.002.00	02.40.002.00	02.40.002.00	---	---	---	02.40.002.00	02.40.002.00
16	Knob, Color Control	05.30.020.00	05.30.020.00	05.30.020.00	05.30.020.00	---	---	---	05.30.020.00	05.30.020.00
20	High Limit - T-Stat - Sidewall	02.16.186.00	02.16.186.00	02.16.186.00	02.16.186.00	---	---	---	02.16.186.00	02.16.186.00
27	Decal - Control Plate ■	07.01.280.00	07.01.280.00	07.01.280.00	07.01.280.00	---	---	---	07.01.280.00	07.01.280.00
28	Shaft Assembly (Qty 2)	04.05.386.00	04.05.386.00	04.05.386.00	04.05.386.00	---	---	---	04.05.386.00	04.05.386.00
29	Gearmotor, Conveyor ‡	02.12.101.00	02.12.076.00	02.12.077.00	02.12.079.00	---	---	---	02.12.079.00	02.12.079.00
30	Conveyor Belt	05.03.036.00	05.03.036.00	05.03.036.00	05.03.036.00	---	---	---	05.03.036.00	05.03.036.00
31	Drive Chain	05.03.037.00	05.03.037.00	05.03.037.00	05.03.037.00	---	---	---	05.03.037.00	05.03.037.00
32	Sprocket, Motor	05.09.027.00	05.09.027.00	05.09.027.00	05.09.025.00	---	---	---	05.09.028.00	05.09.025.00
33	Sprocket, Conveyor	05.09.045.00	05.09.045.00	05.09.045.00	05.09.030.00	---	---	---	05.09.045.00	05.09.045.00
34	Heating Element	---	---	---	---	---	---	---	---	---
35	Quantity: 2	02.09.253.00	02.09.244.00	02.09.247.00	02.09.245.00	---	---	---	02.09.251.00	02.09.251.00
36	Bracket - Upper Element	---	---	---	---	---	---	---	---	---
37	Power Cord and Plug	04.05.335.00	04.05.335.00	04.05.335.00	04.05.335.00	---	---	---	04.05.335.00	04.05.335.00
38	Circulation Fan	R02.18.154.00	02.18.036.00	02.18.036.00	02.18.104.00	---	---	---	02.18.038.00	02.18.038.00
39	Side Panel, R.H.	02.12.030.00	02.12.039.00	02.12.039.00	02.12.039.00	---	---	---	02.12.039.00	02.12.039.00
40	Side Panel, L.H.	04.05.329.00	04.05.329.00	04.05.329.00	04.05.329.00	---	---	---	04.05.329.00	04.05.329.00
42	Cover, Top - Black	04.05.338.00	04.05.338.00	04.05.338.00	04.05.338.00	---	---	---	04.05.338.00	04.05.338.00
43A	Feed Ramp - Standard	04.05.379.00	04.05.379.00	04.05.379.00	04.05.379.00	---	---	---	04.05.379.00	04.05.379.00
43B	Feed Ramp - Extended	04.05.337.00	04.05.337.00	04.05.337.00	04.05.337.00	---	---	---	04.05.337.00	04.05.337.00
44	Crumb Tray	---	---	---	---	---	---	---	---	---
45	Toast Chute	R04.05.361.00	R04.05.361.00	R04.05.361.00	R04.05.361.00	---	---	---	R04.05.361.00	R04.05.361.00
47	Legs, 4" (10 cm)	04.05.363.00	04.05.363.00	04.05.363.00	04.05.363.00	---	---	---	04.05.363.00	04.05.363.00
51	Fan Blade	05.30.007.00	05.30.007.00	05.30.007.00	05.30.007.00	---	---	---	05.30.007.00	05.30.007.00
	Wiring Diagram	---	02.12.088.01	02.12.088.01	02.12.088.01	---	---	---	02.12.088.01	02.12.088.01
		10-01-054	10-01-054	10-01-054	10-01-063	---	---	---	10-01-063	10-01-063

■ Shaded areas contain information for **International models only**.

■ TQ-10 Models manufactured before August, 2003 use Control Plate Decal P/N 07.01.256.00.

† 120 V units with Date Code 1051 or earlier, use P/N R02.13.101.00.

‡ 120 V units with Date Code 1051 or earlier, use P/N 02.12.081.00.



## PARTS SPECIFIC TO MODEL TQ-15

Item	Description	120V 60 Hz	208V 60 Hz	240V 60 Hz	200V 50/60 Hz	220V 50 Hz	220V 60 Hz	240V 50 Hz	220-230V CE 50 Hz	230-240V CE 50 Hz
11	Speed Control - Rheostat	---	---	---	---	---	---	---	R02.13.125.00	R02.13.125.00
12	Resistor - 100 Ohm	---	---	---	---	---	---	---	02.13.325.00	02.13.325.00
13	Terminal Block - 6 Pole	---	---	---	---	---	---	---	02.15.034.00	02.15.034.00
14	Terminal Block - 2 Pole	---	---	---	---	---	---	---	R02.15.045.00	R02.15.045.00
15	Diode	---	---	---	---	---	---	---	02.40.002.00	02.40.002.00
16	Knob, Color Control	---	---	---	---	---	---	---	05.30.020.00	05.30.020.00
20	High Limit - T-Stat - Sidewall	---	---	---	---	---	---	---	02.16.186.00	02.16.186.00
27	Decal - Control Plate ■	---	---	---	---	---	---	---	07.01.280.00	07.01.280.00
28	Shaft Assembly (Qty 2)	---	---	---	---	---	---	---	04.05.386.00	04.05.386.00
29	Gearmotor, Conveyor	---	---	---	---	---	---	---	02.12.079.00	02.12.079.00
30	Conveyor Belt	---	---	---	---	---	---	---	05.03.036.00	05.03.036.00
31	Drive Chain	---	---	---	---	---	---	---	05.03.037.00	05.03.037.00
32	Sprocket, Motor	---	---	---	---	---	---	---	05.09.027.00	05.09.027.00
33	Sprocket, Conveyor	---	---	---	---	---	---	---	05.09.045.00	05.09.045.00
34	Heating Element, 1000 W	---	---	---	---	---	---	---	02.09.251.00	02.09.251.00
35	Quantity: 2 Heating Element	---	---	---	---	---	---	---	---	---
36	Quantity: Bracket - Upper Element	---	---	---	---	---	---	---	---	---
37	Power Cord and Plug	---	---	---	---	---	---	---	04.05.335.00	04.05.335.00
38	Circulation Fan	---	---	---	---	---	---	---	02.18.038.00	02.18.038.00
39	Side Panel, R.H.	---	---	---	---	---	---	---	02.12.039.00	02.12.039.00
40	Side Panel, L.H.	---	---	---	---	---	---	---	04.05.329.00	04.05.329.00
42	Cover, Top - Black	---	---	---	---	---	---	---	04.05.338.00	04.05.338.00
43A	Feed Ramp - Standard	---	---	---	---	---	---	---	04.05.379.00	04.05.379.00
43B	Feed Ramp - Extended	---	---	---	---	---	---	---	04.05.337.00	04.05.337.00
44	Crumb Tray	---	---	---	---	---	---	---	---	---
45	Toast Chute	---	---	---	---	---	---	---	R04.05.361.00	R04.05.361.00
47	Legs, 4" (10 cm)	---	---	---	---	---	---	---	04.05.363.00	04.05.363.00
51	Fan Blade	---	---	---	---	---	---	---	05.30.007.00	05.30.007.00
	Wiring Diagram	---	---	---	---	---	---	---	02.12.088.01	02.12.088.01
		---	---	---	---	---	---	---	10-01-063	10-01-063

Shaded areas contain information for International models only.

■ TQ-15 Models manufactured before August, 2003 use Control Plate Decal P/N 07.01.256.00.

NOTE: The last four digits in a ten digit numerical serial number are the manufacturing date code.

Example: Serial number 9625060751 has a date code of "0751" which indicates the following: 0751

Week Fifty-One  
Year 2007

Please note also, prior to January 2001 the serial number date code indicated the month of manufacture.

Example: XXXXXX0007

Month Seven (July)  
Year 2000

# PARTS SPECIFIC TO MODEL TC-DON

Item	Description	120V 60 Hz	208V 60 Hz	240V 60 Hz	200V 50/60 Hz	220V 50 Hz	220V 60 Hz	240V 50 Hz	220-230V CE 50 Hz	230-240V CE 50 Hz
11	Speed Control - Rheostat	---	R02.13.111.00	R02.13.125.00	---	---	---	---	---	---
12	Resistor - 100 Ohm	---	---	---	---	---	---	---	---	---
13	Terminal Block - 6 Pole	---	02.15.034.00	02.15.034.00	---	---	---	---	---	---
14	Terminal Block - 2 Pole	---	R02.15.045.00	R02.15.045.00	---	---	---	---	---	---
15	Diode	---	02.40.002.00	02.40.002.00	---	---	---	---	---	---
16	Knob, Color Control	---	05.30.020.00	05.30.020.00	---	---	---	---	---	---
20	High Limit - T-Stat - Sidewall	---	02.16.186.00	02.16.186.00	---	---	---	---	---	---
27	Decal - Control Plate	---	07.01.298.00	07.01.298.00	---	---	---	---	---	---
28	Shaft Assembly (Qty 2)	---	04.05.386.00	04.05.386.00	---	---	---	---	---	---
29	Gearmotor, Conveyor	---	02.12.076.00	02.12.077.00	---	---	---	---	---	---
30	Conveyor Belt	---	05.03.035.00	05.03.035.00	---	---	---	---	---	---
31	Drive Chain	---	05.03.006.00	05.03.006.00	---	---	---	---	---	---
32	Sprocket, Motor	---	05.09.033.00	05.09.033.00	---	---	---	---	---	---
33	Sprocket, Conveyor	---	05.09.029.00	05.09.029.00	---	---	---	---	---	---
34	Heating Element, Upper Front, 750 W	---	02.09.243.00	02.09.246.00	---	---	---	---	---	---
	Upper Rear, 900 W	---	02.09.244.00	02.09.247.00	---	---	---	---	---	---
35	Heating Element, Lower, 750 W	---	---	---	---	---	---	---	---	---
	Quantity: 2	---	02.09.243.00	02.09.246.00	---	---	---	---	---	---
36	Bracket - Upper Element (Qty. 2)	---	04.05.335.00	04.05.335.00	---	---	---	---	---	---
37	Power Cord and Plug	---	02.18.111.00	02.18.036.00	---	---	---	---	---	---
38	Circulation Fan	---	02.12.039.00	02.12.039.00	---	---	---	---	---	---
39	Side Panel, R.H.	---	04.05.461.00	04.05.461.00	---	---	---	---	---	---
40	Side Panel, L.H.	---	04.05.462.00	04.05.462.00	---	---	---	---	---	---
42	Cover, Top - Black	---	04.05.458.00	04.05.458.00	---	---	---	---	---	---
43A	Feed Ramp - Standard	---	04.05.317.00	04.05.317.00	---	---	---	---	---	---
43B	Feed Ramp - Extended	---	---	---	---	---	---	---	---	---
44	Crumb Tray	---	R04.05.356.00	R04.05.356.00	---	---	---	---	---	---
45	Toast Chute	---	04.05.457.00	04.05.457.00	---	---	---	---	---	---
51	Fan Blade	---	02.12.088.01	02.12.088.01	---	---	---	---	---	---
	Wiring Diagram	---	10-01-466	10-01-466	---	---	---	---	---	---

Shaded areas contain information for International models only.



# PARTS SPECIFIC TO MODEL TQ-400

Item	Description	120V 60 Hz	208V 60 Hz	240V 60 Hz	200V 50/60 Hz	220V 50 Hz	220V 60 Hz	240V 50 Hz	220-230V CE 50/60 Hz	230-240V CE 50 Hz
14	Terminal Block - 2 Pole	R02.15.045.00	R02.15.045.00	R02.15.045.00	R02.15.045.00	---	---	---	R02.15.045.00	R02.15.045.00
17	Control Board w/High Limits	R02.01.229.00	R02.01.229.00	R02.01.229.00	R02.01.229.00	---	---	---	R02.01.229.00	R02.01.229.00
18	Potentiometers with Harness	02.13.322.00	02.13.322.00	02.13.322.00	02.13.322.00	---	---	---	02.13.322.00	02.13.322.00
19	High Limit - T-Stat - Board (Qty. 2)	02.16.122.00	02.16.122.00	02.16.122.00	02.16.122.00	---	---	---	02.16.122.00	02.16.122.00
20	High Limit - T-Stat - Sidewall	---	---	---	---	---	---	---	---	---
21	High Limit - T-Stat - Floor Panel	R02.16.117.00	R02.16.117.00	R02.16.117.00	R02.16.117.00	---	---	---	R02.16.117.00	R02.16.117.00
22	Transformer	02.17.040.00	02.17.040.00	02.17.040.00	02.17.040.00	---	---	---	02.17.040.00	02.17.040.00
23	Probe - RTD	02.01.192.00	02.01.192.00	02.01.192.00	02.01.192.00	---	---	---	02.01.192.00	02.01.192.00
24	Switch, Power Save	02.19.164.00	02.19.164.00	02.19.164.00	02.19.164.00	---	---	---	02.19.164.00	02.19.164.00
25	Knob, Color Control	05.30.019.00	05.30.019.00	05.30.019.00	05.30.019.00	---	---	---	05.30.019.00	05.30.019.00
26	Knob, Heat Control (Qty. 2)	05.30.082.00	05.30.082.00	05.30.082.00	05.30.082.00	---	---	---	05.30.082.00	05.30.082.00
27	Decal - Control Plate	07.01.255.00	07.01.255.00	07.01.255.00	07.01.255.00	---	---	---	07.01.255.00	07.01.255.00
28	Shaft Assembly (Qty. 2)	04.05.386.00	04.05.386.00	04.05.386.00	04.05.386.00	---	---	---	04.05.386.00	04.05.386.00
29	Gearmotor, Conveyor †	02.12.101.00	02.12.102.00	02.12.096.00	02.12.079.00	---	---	---	02.12.096.00	02.12.096.00
30	Conveyor Belt	05.03.036.00	05.03.036.00	05.03.036.00	05.03.036.00	---	---	---	05.03.036.00	05.03.036.00
31	Drive Chain • †	05.03.037.00	05.03.006.00	05.03.037.00	05.03.037.00	---	---	---	05.03.037.00	05.03.006.00
32	Sprocket, Motor • †	05.09.027.00	05.09.025.00	05.09.027.00	05.09.028.00	---	---	---	05.09.027.00	05.09.025.00
33	Sprocket, Conveyor	05.09.045.00	05.09.045.00	05.09.045.00	05.09.045.00	---	---	---	05.09.045.00	05.09.045.00
34	Heating Element	---	---	---	---	---	---	---	---	---
35	Quantity: 2 Heating Element	02.09.253.00	02.09.245.00	02.09.248.00	02.09.245.00	---	---	---	02.09.251.00	02.09.251.00
36	Bracket - Upper Element	---	---	---	---	---	---	---	---	---
37	Power Cord and Plug *	04.05.335.00	04.05.335.00	04.05.335.00	04.05.335.00	---	---	---	04.05.335.00	04.05.335.00
38	Circulation Fan	R02.18.154.00	02.18.036.00	02.18.036.00	02.18.447.00	---	---	---	02.18.038.00	02.18.068.00
39	Side Panel, R.H.	02.12.030.00	02.12.039.00	02.12.039.00	02.12.039.00	---	---	---	02.12.039.00	02.12.039.00
40	Side Panel, L.H.	04.05.329.00	04.05.329.00	04.05.329.00	04.05.329.00	---	---	---	04.05.329.00	04.05.329.00
41	Side Bottom Panel, Black (Qty. 2)	04.05.338.00	04.05.338.00	04.05.338.00	04.05.338.00	---	---	---	04.05.338.00	04.05.338.00
42	Cover, Top	04.05.332.00	04.05.332.00	04.05.332.00	04.05.332.00	---	---	---	04.05.332.00	04.05.332.00
43A	Feed Ramp - Standard	04.05.337.00	04.05.337.00	04.05.337.00	04.05.337.00	---	---	---	04.05.337.00	04.05.337.00
43B	Feed Ramp - Extended	04.05.074.00	04.05.074.00	04.05.074.00	04.05.074.00	---	---	---	04.05.074.00	04.05.074.00
44	Crumb Tray	R04.05.361.00	R04.05.361.00	R04.05.361.00	R04.05.361.00	---	---	---	R04.05.361.00	R04.05.361.00
45	Toast Chute	04.05.333.00	04.05.333.00	04.05.333.00	04.05.333.00	---	---	---	04.05.333.00	04.05.333.00
46	Toast Collector Pan	04.05.310.00	04.05.310.00	04.05.310.00	04.05.310.00	---	---	---	04.05.310.00	04.05.310.00
47	Legs, 1" (3 cm)	R05.30.081.00	R05.30.081.00	R05.30.081.00	R05.30.081.00	---	---	---	R05.30.081.00	R05.30.081.00
48	Fuse Block	---	---	---	---	---	---	---	---	---
49	Fuse †	---	---	---	---	---	---	---	---	---
50	Indicator Light (not shown)	02.19.154.00	02.19.151.00	02.19.151.00	02.19.151.00	---	---	---	02.19.151.00	02.19.151.00
	Wiring Diagram	10-01-627	10-01-627	10-01-627	10-01-628	---	---	---	10-01-628	10-01-628

† Fuses sold two per package.

\* 120 V Canadian units use 02.18.089.00.

• 208 V Canadian units use Drive Chain 05.03.037.00 and Motor Sprocket 05.09.028.00.



# PARTS SPECIFIC TO MODEL TQ-405

Item	Description	120V 60 Hz	208V 60 Hz	240V 60 Hz	200V 50/60 Hz	220V 50 Hz	220-230V 50/60 Hz	230-240V 50 Hz	220-230V CE 50 Hz	230-240V CE 50 Hz
14	Terminal Block - 2 Pole	---	---	---	---	---	R02.15.045.00	R02.15.045.00	R02.15.045.00	R02.15.045.00
17	Control Board w/High Limits	---	---	---	---	---	R02.01.229.00	R02.01.229.00	R02.01.229.00	R02.01.229.00
18	Potentiometers with Harness	---	---	---	---	---	02.13.322.00	02.13.322.00	02.13.322.00	02.13.322.00
19	High Limit - T-Stat - Board (Qty. 2)	---	---	---	---	---	02.16.122.00	02.16.122.00	02.16.122.00	02.16.122.00
20	High Limit - T-Stat - Sidewall	---	---	---	---	---	---	---	---	---
21	High Limit - T-Stat - Floor Panel	---	---	---	---	---	R02.16.117.00	R02.16.117.00	R02.16.117.00	R02.16.117.00
22	Transformer	---	---	---	---	---	02.17.040.00	02.17.040.00	02.17.040.00	02.17.040.00
23	Probe - RTD	---	---	---	---	---	02.01.192.00	02.01.192.00	02.01.192.00	02.01.192.00
24	Switch, Power Save	---	---	---	---	---	02.19.164.00	02.19.164.00	02.19.164.00	02.19.164.00
25	Knob, Color Control	---	---	---	---	---	05.30.019.00	05.30.019.00	05.30.019.00	05.30.019.00
26	Knob, Heat Control (Qty. 2)	---	---	---	---	---	05.30.082.00	05.30.082.00	05.30.082.00	05.30.082.00
27	Decal - Control Plate	---	---	---	---	---	07.01.255.00	07.01.255.00	07.01.255.00	07.01.255.00
28	Shaft Assembly (Qty. 2)	---	---	---	---	---	04.05.386.00	04.05.386.00	04.05.386.00	04.05.386.00
29	Gearmotor, Conveyor †	---	---	---	---	---	02.12.096.00	02.12.096.00	02.12.096.00	02.12.096.00
30	Conveyor Belt	---	---	---	---	---	05.03.036.00	05.03.036.00	05.03.036.00	05.03.036.00
31	Drive Chain	---	---	---	---	---	05.03.037.00	05.03.037.00	05.03.037.00	05.03.037.00
32	Sprocket, Motor	---	---	---	---	---	05.09.027.00	05.09.027.00	05.09.027.00	05.09.027.00
33	Sprocket, Conveyor	---	---	---	---	---	05.09.045.00	05.09.045.00	05.09.045.00	05.09.045.00
34	Heating Element, Upper	---	---	---	---	---	---	---	---	---
35	Quantity: 1 Heating Element, Lower	---	---	---	---	---	02.09.252.00	02.09.251.00	02.09.252.00	02.09.251.00
36	Quantity: 1 Bracket - Upper Element	---	---	---	---	---	02.09.252.00	02.09.251.00	02.09.252.00	02.09.251.00
37	Power Cord and Plug	---	---	---	---	---	04.05.335.00	04.05.335.00	04.05.335.00	04.05.335.00
38	Circulation Fan	---	---	---	---	---	02.18.038.00	02.18.038.00	02.18.068.00	02.18.068.00
39	Side Panel, R.H.	---	---	---	---	---	02.12.039.00	02.12.039.00	02.12.039.00	02.12.039.00
40	Side Panel, L.H.	---	---	---	---	---	04.05.329.00	04.05.329.00	04.05.329.00	04.05.329.00
41	Side Bottom Panel, Black (Qty. 2)	---	---	---	---	---	04.05.338.00	04.05.338.00	04.05.338.00	04.05.338.00
42	Cover, Top	---	---	---	---	---	04.05.332.00	04.05.332.00	04.05.332.00	04.05.332.00
43A	Feed Ramp - Standard	---	---	---	---	---	04.05.337.00	04.05.337.00	04.05.337.00	04.05.337.00
43B	Feed Ramp - Extended	---	---	---	---	---	04.05.074.00	04.05.074.00	04.05.074.00	04.05.074.00
44	Crumb Tray	---	---	---	---	---	R04.05.361.00	R04.05.361.00	R04.05.361.00	R04.05.361.00
45	Toast Chute	---	---	---	---	---	04.05.333.00	04.05.333.00	04.05.333.00	04.05.333.00
46	Toast Collector Pan	---	---	---	---	---	04.05.310.00	04.05.310.00	04.05.310.00	04.05.310.00
47	Legs, 1" (3 cm)	---	---	---	---	---	R05.30.081.00	R05.30.081.00	R05.30.081.00	R05.30.081.00
48	Fuse Block	---	---	---	---	---	---	---	02.03.004.00	02.03.004.00
49	Fuse †	---	---	---	---	---	---	---	R02.03.001.02	R02.03.001.02
50	Indicator Light (not shown)	---	---	---	---	---	02.19.151.00	02.19.151.00	02.19.151.00	02.19.151.00
	Wiring Diagram	---	---	---	---	---	10-01-628	10-01-628	10-01-628	10-01-628

Shaded areas contain information for International models only. † Fuses sold two per package. ‡ Refer to ADDENDUM section for units with date code of 1026 or earlier.





# PARTS SPECIFIC TO MODEL TQ-400H

Item	Description	120V 60 Hz	208V 60 Hz	240V 60 Hz	200V 50/60 Hz	220V 50 Hz	220V 60 Hz	240V 50 Hz	220-230V CE 50 Hz	230-240V CE 50 Hz
14	Terminal Block - 2 Pole	---	R02.15.045.00	R02.15.045.00	R02.15.045.00	---	---	---	R02.15.045.00	R02.15.045.00
17	Control Board w/High Limits	---	R02.01.229.00	R02.01.229.00	R02.01.229.00	---	---	---	R02.01.229.00	R02.01.229.00
18	Potentiometers with Harness	---	02.13.322.00	02.13.322.00	02.13.322.00	---	---	---	02.13.322.00	02.13.322.00
19	High Limit - T-Stat - Board (Qty. 2)	---	02.16.122.00	02.16.122.00	02.16.122.00	---	---	---	02.16.122.00	02.16.122.00
20	High Limit - T-Stat - Sidewall	---	---	---	---	---	---	---	---	---
21	High Limit - T-Stat - Floor Panel	---	R02.16.117.00	R02.16.117.00	R02.16.117.00	---	---	---	R02.16.117.00	R02.16.117.00
22	Transformer	---	02.17.040.00	02.17.040.00	02.17.040.00	---	---	---	02.17.040.00	02.17.040.00
23	Probe - RTD	---	02.01.192.00	02.01.192.00	02.01.192.00	---	---	---	02.01.192.00	02.01.192.00
24	Switch, Power Save	---	02.19.164.00	02.19.164.00	02.19.164.00	---	---	---	02.19.164.00	02.19.164.00
25	Knob, Color Control	---	05.30.020.00	05.30.020.00	05.30.020.00	---	---	---	05.30.020.00	05.30.020.00
26	Knob, Heat Control (Qty. 2)	---	05.30.082.00	05.30.082.00	05.30.082.00	---	---	---	05.30.082.00	05.30.082.00
27	Decal - Control Plate	---	07.01.255.00	07.01.255.00	07.01.255.00	---	---	---	07.01.255.00	07.01.255.00
28	Shaft Assembly (Qty. 2)	---	04.05.386.00	04.05.386.00	04.05.386.00	---	---	---	04.05.386.00	04.05.386.00
29	Gearmotor, Conveyor †	---	02.12.102.00	02.12.096.00	02.12.079.00	---	---	---	02.12.096.00	02.12.096.00
30	Conveyor Belt	---	05.03.036.00	05.03.036.00	05.03.036.00	---	---	---	05.03.036.00	05.03.036.00
31	Drive Chain	---	05.03.037.00	05.03.037.00	05.03.037.00	---	---	---	05.03.037.00	05.03.037.00
32	Sprocket, Motor †	---	05.09.027.00	05.09.059.00	05.09.027.00	---	---	---	05.09.027.00	05.09.027.00
33	Sprocket, Conveyor	---	05.09.045.00	05.09.045.00	05.09.045.00	---	---	---	05.09.045.00	05.09.045.00
34	Heating Element, Upper	---	---	---	---	---	---	---	---	---
35	Quantity: 1 Heating Element, Lower	---	02.09.245.00	02.09.248.00	02.09.245.00	---	---	---	02.09.252.00	02.09.251.00
36	Quantity: 1 Bracket - Upper Element	---	02.09.245.00	02.09.248.00	02.09.245.00	---	---	---	02.09.252.00	02.09.251.00
37	Power Cord and Plug	---	04.05.335.00	04.05.335.00	04.05.335.00	---	---	---	04.05.335.00	04.05.335.00
38	Circulation Fan	---	02.18.036.00	02.18.036.00	02.18.447.00	---	---	---	02.18.038.00	02.18.068.00
39	Side Panel, R.H.	---	02.12.039.00	02.12.039.00	02.12.039.00	---	---	---	02.12.039.00	02.12.039.00
40	Side Panel, L.H.	---	04.05.430.00	04.05.430.00	04.05.330.00	---	---	---	04.05.430.00	04.05.430.00
41	Side Bottom Panel, Black (Qty. 2)	---	04.05.431.00	04.05.431.00	04.05.431.00	---	---	---	04.05.431.00	04.05.431.00
42	Cover, Top	---	04.05.332.00	04.05.332.00	04.05.332.00	---	---	---	04.05.332.00	04.05.332.00
43A	Feed Ramp - Standard	---	04.05.433.00	04.05.433.00	04.05.433.00	---	---	---	04.05.433.00	04.05.433.00
43B	Feed Ramp - Extended	---	04.05.317.00	04.05.317.00	04.05.317.00	---	---	---	04.05.317.00	04.05.317.00
44	Crumb Tray	---	04.05.075.00	04.05.075.00	04.05.075.00	---	---	---	04.05.075.00	04.05.075.00
45	Toast Chute	---	R04.05.361.00	R04.05.361.00	R04.05.361.00	---	---	---	R04.05.361.00	R04.05.361.00
46	Toast Collector Pan	---	04.05.333.00	04.05.333.00	04.05.333.00	---	---	---	04.05.333.00	04.05.333.00
47	Legs, 1" (3 cm)	---	04.05.310.00	04.05.310.00	04.05.310.00	---	---	---	04.05.310.00	04.05.310.00
48	Fuse Block	---	R05.30.081.00	R05.30.081.00	R05.30.081.00	---	---	---	R05.30.081.00	R05.30.081.00
49	Fuse †	---	---	---	---	---	---	---	---	---
50	Indicator Light (not shown)	---	---	---	---	---	---	---	---	---
	Wiring Diagram	---	02.19.151.00	02.19.151.00	02.19.151.00	---	---	---	02.19.151.00	02.19.151.00
		---	10-01-627	10-01-627	10-01-628	---	---	---	10-01-628	10-01-628

Shaded areas contain information for International models only.

† Fuses sold two per package.

‡ Refer to ADDENDUM section for units with date code of 1026 or earlier.



# PARTS SPECIFIC TO MODEL TQ-400BA

Item	Description	120V 60 Hz	208V 60 Hz	240V 60 Hz	200V 50/60 Hz	220V 50 Hz	220V 60 Hz	240V 50 Hz	220-230V CE 50 Hz	230-240V CE 50 Hz
14	Terminal Block - 2 Pole	R02.15.045.00	R02.15.045.00	R02.15.045.00	R02.15.045.00	---	---	---	R02.15.045.00	R02.15.045.00
17	Control Board w/High Limits	R02.01.229.00	R02.01.229.00	R02.01.229.00	R02.01.229.00	---	---	---	R02.01.229.00	R02.01.229.00
18	Potentiometers with Harness	02.13.322.00	02.13.322.00	02.13.322.00	02.13.322.00	---	---	---	02.13.322.00	02.13.322.00
19	High Limit - T-Stat - Board (Qty. 2)	02.16.122.00	02.16.122.00	02.16.122.00	02.16.122.00	---	---	---	02.16.122.00	02.16.122.00
20	High Limit - T-Stat - Sidewall	---	---	---	---	---	---	---	---	---
21	High Limit - T-Stat - Floor Panel	R02.16.117.00	R02.16.117.00	R02.16.117.00	R02.16.117.00	---	---	---	R02.16.117.00	R02.16.117.00
22	Transformer	02.17.040.00	02.17.040.00	02.17.040.00	02.17.040.00	---	---	---	02.17.040.00	02.17.040.00
23	Probe - RTD	02.01.192.00	02.01.192.00	02.01.192.00	02.01.192.00	---	---	---	02.01.192.00	02.01.192.00
24	Switch, Power Save	02.19.164.00	02.19.164.00	02.19.164.00	02.19.164.00	---	---	---	02.19.164.00	02.19.164.00
25	Knob, Color Control	05.30.020.00	05.30.020.00	05.30.020.00	05.30.020.00	---	---	---	05.30.019.00	05.30.019.00
26	Knob, Heat Control (Qty. 2)	05.30.082.00	05.30.082.00	05.30.082.00	05.30.082.00	---	---	---	05.30.082.00	05.30.082.00
27	Decal - Control Plate	07.01.266.00	07.01.266.00	07.01.266.00	07.01.266.00	---	---	---	07.01.266.00	07.01.266.00
28	Shaft Assembly (Qty. 2)	04.05.386.00	04.05.386.00	04.05.386.00	04.05.386.00	---	---	---	04.05.386.00	04.05.386.00
29	Gearmotor, Conveyor †	02.12.101.00	02.12.102.00	02.12.096.00	02.12.079.00	---	---	---	02.12.096.00	02.12.096.00
30	Conveyor Belt	05.03.036.00	05.03.036.00	05.03.036.00	05.03.036.00	---	---	---	05.03.036.00	05.03.036.00
31	Drive Chain	05.03.037.00	05.03.037.00	05.03.037.00	05.03.037.00	---	---	---	05.03.037.00	05.03.037.00
32	Sprocket, Motor †	05.09.027.00	05.09.027.00	05.09.059.00	05.09.027.00	---	---	---	05.09.027.00	05.09.028.00
33	Sprocket, Conveyor †	05.09.045.00	05.09.045.00	05.09.030.00	05.09.045.00	---	---	---	05.09.045.00	05.09.045.00
34	Heating Element, Upper	---	---	---	---	---	---	---	---	---
35	Quantity: 1	02.09.242.00	02.09.245.00	02.09.248.00	02.09.254.00	---	---	---	02.09.252.00	02.09.252.00
36	Heating Element, Lower	---	---	---	---	---	---	---	---	---
37	Bracket - Upper Element	02.09.255.00	02.09.243.00	02.09.246.00	02.09.243.00	---	---	---	02.09.249.00	02.09.249.00
38	Power Cord and Plug	04.05.335.00	04.05.335.00	04.05.335.00	04.05.335.00	---	---	---	04.05.335.00	04.05.335.00
39	Circulation Fan	R02.18.154.00	02.18.036.00	02.18.036.00	02.18.447.00	---	---	---	02.18.038.00	02.18.068.00
40	Side Panel, R.H.	02.12.030.00	02.12.039.00	02.12.039.00	02.12.039.00	---	---	---	02.12.039.00	02.12.039.00
41	Side Panel, L.H.	04.05.329.00	04.05.329.00	04.05.329.00	04.05.329.00	---	---	---	04.05.329.00	04.05.329.00
42	Side Bottom Panel, Black (Qty. 2)	04.05.338.00	04.05.338.00	04.05.338.00	04.05.338.00	---	---	---	04.05.338.00	04.05.338.00
43A	Feed Ramp - Standard	04.05.332.00	04.05.332.00	04.05.332.00	04.05.332.00	---	---	---	04.05.332.00	04.05.332.00
43B	Feed Ramp - Extended	04.05.327.00	04.05.327.00	04.05.327.00	04.05.327.00	---	---	---	04.05.327.00	04.05.327.00
44	Crumb Tray	---	---	---	---	---	---	---	---	---
45	Toast Chute	R04.05.361.00	R04.05.361.00	R04.05.361.00	R04.05.361.00	---	---	---	R04.05.361.00	R04.05.361.00
46	Toast Collector Pan	04.05.333.00	04.05.333.00	04.05.333.00	04.05.333.00	---	---	---	04.05.333.00	04.05.333.00
47	Legs, 1" (3 cm)	04.05.310.00	04.05.310.00	04.05.310.00	04.05.310.00	---	---	---	04.05.310.00	04.05.310.00
48	Fuse Block	R05.30.081.00	R05.30.081.00	R05.30.081.00	R05.30.081.00	---	---	---	R05.30.081.00	R05.30.081.00
49	Fuse †	---	---	---	---	---	---	---	---	---
50	Indicator Light (not shown)	02.19.154.00	02.19.151.00	02.19.151.00	02.19.151.00	---	---	---	R02.03.001.02	R02.03.001.02
	Wiring Diagram	10-01-627	10-01-627	10-01-627	10-01-628	---	---	---	10-01-628	10-01-628

† Fuses sold two per package. ‡ Refer to ADDENDUM section for units with date code of 1026 or earlier.

Shaded areas contain information for International models only.



## PARTS SPECIFIC TO MODEL TQ-800

Item	Description	120V 60 Hz	208V 60 Hz	240V 60 Hz	200V 50/60 Hz	220V 50 Hz	220V 60 Hz	240V 50 Hz	220-230V CE 50 Hz	230-240V CE 50 Hz
14	Terminal Block - 2 Pole	---	R02.15.045.00	R02.15.045.00	R02.15.045.00	---	---	---	R02.15.045.00	R02.15.045.00
17	Control Board w/High Limits	---	R02.01.229.00	R02.01.229.00	R02.01.229.00	---	---	---	R02.01.229.00	R02.01.229.00
18	Potentiometers with Harness	---	02.13.322.00	02.13.322.00	02.13.322.00	---	---	---	02.13.322.00	02.13.322.00
19	High Limit - T-Stat - Board (Qty. 2)	---	02.16.122.00	02.16.122.00	02.16.122.00	---	---	---	02.16.122.00	02.16.122.00
20	High Limit - T-Stat - Sidewall	---	02.16.120.00	02.16.120.00	02.16.120.00	---	---	---	02.16.120.00	02.16.120.00
21	High Limit - T-Stat - Floor Panel	---	R02.16.117.00	R02.16.117.00	R02.16.117.00	---	---	---	R02.16.117.00	R02.16.117.00
22	Transformer	---	02.17.040.00	02.17.040.00	02.17.040.00	---	---	---	02.17.040.00	02.17.040.00
23	Probe - RTD	---	02.01.192.00	02.01.192.00	02.01.192.00	---	---	---	02.01.192.00	02.01.192.00
24	Switch, Power Save	---	02.19.164.00	02.19.164.00	02.19.164.00	---	---	---	02.19.164.00	02.19.164.00
25	Knob, Color Control	---	05.30.020.00	05.30.020.00	05.30.020.00	---	---	---	05.30.020.00	05.30.020.00
26	Knob, Heat Control (Qty. 2)	---	05.30.082.00	05.30.082.00	05.30.082.00	---	---	---	05.30.082.00	05.30.082.00
27	Decal - Control Plate	---	07.01.255.00	07.01.255.00	07.01.255.00	---	---	---	07.01.255.00	07.01.255.00
28	Shaft Assembly (Qty. 2)	---	04.05.386.00	04.05.386.00	04.05.386.00	---	---	---	04.05.386.00	04.05.386.00
29	Gearmotor, Conveyor †	---	02.12.102.00	02.12.096.00	02.12.079.00	---	---	---	02.12.096.00	02.12.096.00
30	Conveyor Belt	---	05.03.035.00	05.03.035.00	05.03.035.00	---	---	---	05.03.035.00	05.03.035.00
31	Drive Chain	---	05.03.006.00	05.03.006.00	05.03.006.00	---	---	---	05.03.006.00	05.03.006.00
32	Sprocket, Motor †•	---	05.09.033.00	05.09.025.00	05.09.033.00	---	---	---	05.09.033.00	05.09.033.00
33	Sprocket, Conveyor •	---	05.09.029.00	05.09.029.00	05.09.030.00	---	---	---	05.09.030.00	05.09.029.00
34	Heating Element, Front, 750 W	---	---	---	---	---	---	---	---	---
35	Quantity: 2 Heating Element, Rear, 900 W	---	02.09.243.00	02.09.246.00	02.09.243.00	---	---	---	02.09.249.00	02.09.249.00
36	Quantity: 2 Bracket - Upper Element (Qty. 2)	---	02.09.244.00	02.09.247.00	02.09.244.00	---	---	---	02.09.250.00	02.09.250.00
37	Power Cord and Plug	---	04.05.357.00	04.05.357.00	04.05.357.00	---	---	---	04.05.357.00	04.05.357.00
38	Circulation Fan	---	02.18.111.00	02.18.036.00	02.18.111.00	---	---	---	02.18.038.00	02.18.103.00
39	Side Panel, R.H.	---	02.12.039.00	02.12.039.00	02.12.039.00	---	---	---	02.12.039.00	02.12.039.00
40	Side Panel, L.H.	---	04.05.303.00	04.05.303.00	04.05.303.00	---	---	---	04.05.303.00	04.05.303.00
41	Side Bottom Panel, Black (Qty. 2)	---	04.05.319.00	04.05.319.00	04.05.319.00	---	---	---	04.05.319.00	04.05.319.00
42	Cover, Top	---	04.05.309.00	04.05.309.00	04.05.309.00	---	---	---	04.05.309.00	04.05.309.00
43A	Feed Ramp - Standard	---	04.05.317.00	04.05.317.00	04.05.317.00	---	---	---	04.05.317.00	04.05.317.00
43B	Feed Ramp - Extended	---	04.05.075.00	04.05.075.00	04.05.075.00	---	---	---	04.05.075.00	04.05.075.00
44	Crumb Tray	---	R04.05.356.00	R04.05.356.00	R04.05.356.00	---	---	---	R04.05.356.00	R04.05.356.00
45	Toast Chute	---	04.05.311.00	04.05.311.00	04.05.311.00	---	---	---	04.05.311.00	04.05.311.00
46	Toast Collector Pan	---	04.05.384.00	04.05.384.00	04.05.384.00	---	---	---	04.05.384.00	04.05.384.00
47	Legs, 1" (3 cm)	---	R05.30.081.00	R05.30.081.00	R05.30.081.00	---	---	---	R05.30.081.00	R05.30.081.00
48	Fuse Block	---	---	---	---	---	---	---	02.03.004.00	02.03.004.00
49	Fuse †	---	---	---	---	---	---	---	R02.03.001.02	R02.03.001.02
50	Indicator Light (not shown)	---	02.19.151.00	02.19.151.00	02.19.151.00	---	---	---	02.19.151.00	02.19.151.00
	Wiring Diagram	---	10-01-488	10-01-488	10-01-489	---	---	---	10-01-489	10-01-489

Shaded areas contain information for **International models only**.

- 208 V Canadian units use Motor Sprocket 05.09.025.00.
- 240 V Canadian units use Motor Sprocket 05.09.028.00 and Conveyor Sprocket 05.09.030.00.

† Fuses sold two per package.



## PARTS SPECIFIC TO MODEL TQ-805

Item	Description	120V 60 Hz	208V 60 Hz	240V 60 Hz	200V 50/60 Hz	220V 50 Hz	220V 60 Hz	240V 50 Hz	220-230V CE 50 Hz	230-240V CE 50 Hz
14	Terminal Block - 2 Pole	---	---	---	---	---	---	---	---	R02.15.045.00
17	Control Board w/High Limits	---	---	---	---	---	---	---	---	R02.01.229.00
18	Potentiometers with Harness	---	---	---	---	---	---	---	---	02.13.322.00
19	High Limit - T-Stat - Board (Qty. 2)	---	---	---	---	---	---	---	---	02.16.122.00
20	High Limit - T-Stat - Sidewall	---	---	---	---	---	---	---	---	02.16.120.00
21	High Limit - T-Stat - Floor Panel	---	---	---	---	---	---	---	---	R02.16.117.00
22	Transformer	---	---	---	---	---	---	---	---	02.17.040.00
23	Probe - RTD	---	---	---	---	---	---	---	---	02.01.192.00
24	Switch, Power Save	---	---	---	---	---	---	---	---	02.19.164.00
25	Knob, Color Control	---	---	---	---	---	---	---	---	05.30.020.00
26	Knob, Heat Control (Qty. 2)	---	---	---	---	---	---	---	---	05.30.082.00
27	Decal - Control Plate	---	---	---	---	---	---	---	---	07.01.255.00
28	Shaft Assembly	---	---	---	---	---	---	---	---	04.05.386.00
29	Gearmotor, Conveyor †	---	---	---	---	---	---	---	---	02.12.096.00
30	Conveyor Belt	---	---	---	---	---	---	---	---	05.03.035.00
31	Drive Chain	---	---	---	---	---	---	---	---	05.03.006.00
32	Sprocket, Motor	---	---	---	---	---	---	---	---	05.09.025.00
33	Sprocket, Conveyor	---	---	---	---	---	---	---	---	05.09.029.00
34	Heating Element, Front, 750 W Quantity: 2	---	---	---	---	---	---	---	---	02.09.249.00
35	Heating Element, Rear, 900 W Quantity: 2	---	---	---	---	---	---	---	---	02.09.250.00
36	Bracket - Upper Element (Qty. 2)	---	---	---	---	---	---	---	---	04.05.357.00
37	Power Cord and Plug	---	---	---	---	---	---	---	---	02.18.103.00
38	Circulation Fan	---	---	---	---	---	---	---	---	02.12.039.00
39	Side Panel, R.H.	---	---	---	---	---	---	---	---	04.05.303.00
40	Side Panel, L.H.	---	---	---	---	---	---	---	---	04.05.319.00
41	Side Bottom Panel, Black (Qty. 2)	---	---	---	---	---	---	---	---	04.05.309.00
42	Cover, Top	---	---	---	---	---	---	---	---	04.05.301.00
43A	Feed Ramp - Standard	---	---	---	---	---	---	---	---	04.05.317.00
43B	Feed Ramp - Extended	---	---	---	---	---	---	---	---	04.05.075.00
44	Crumb Tray	---	---	---	---	---	---	---	---	R04.05.356.00
45	Toast Chute	---	---	---	---	---	---	---	---	04.05.311.00
46	Toast Collector Pan	---	---	---	---	---	---	---	---	04.05.384.00
47	Legs, 1" (3 cm)	---	---	---	---	---	---	---	---	R05.30.081.00
48	Fuse Block	---	---	---	---	---	---	---	---	02.03.004.00
49	Fuse †	---	---	---	---	---	---	---	---	R02.03.001.02
50	Indicator Light (not shown) Wiring Diagram	---	---	---	---	---	---	---	---	02.19.151.00 10-01-489

Shaded areas contain information for **International models only**.

† Fuses sold two per package.

‡ Refer to ADDENDUM section for units with date code of 1026 or earlier.



## PARTS SPECIFIC TO MODEL TQ-800H

Item	Description	120V 60 Hz	208V 60 Hz	240V 60 Hz	200V 50/60 Hz	220V 50 Hz	220V 60 Hz	240V 50 Hz	220-230V CE 50 Hz	230-240V CE 50 Hz
14	Terminal Block - 2 Pole	---	R02.15.045.00	R02.15.045.00	R02.15.045.00	---	---	---	R02.15.045.00	R02.15.045.00
17	Control Board w/High Limits	---	R02.01.229.00	R02.01.229.00	R02.01.229.00	---	---	---	R02.01.229.00	R02.01.229.00
18	Potentiometers with Harness	---	02.13.322.00	02.13.322.00	02.13.322.00	---	---	---	02.13.322.00	02.13.322.00
19	High Limit - T-Stat - Board (Qty. 2)	---	02.16.122.00	02.16.122.00	02.16.122.00	---	---	---	02.16.122.00	02.16.122.00
20	High Limit - T-Stat - Sidewall	---	02.16.120.00	02.16.120.00	02.16.120.00	---	---	---	02.16.120.00	02.16.120.00
21	High Limit - T-Stat - Floor Panel	---	R02.16.117.00	R02.16.117.00	R02.16.117.00	---	---	---	R02.16.117.00	R02.16.117.00
22	Transformer	---	02.17.040.00	02.17.040.00	02.17.040.00	---	---	---	02.17.040.00	02.17.040.00
23	Probe - RTD	---	02.01.192.00	02.01.192.00	02.01.192.00	---	---	---	02.01.192.00	02.01.192.00
24	Switch, Power Save	---	02.19.164.00	02.19.164.00	02.19.164.00	---	---	---	02.19.164.00	02.19.164.00
25	Knob, Color Control	---	05.30.020.00	05.30.020.00	05.30.020.00	---	---	---	05.30.020.00	05.30.020.00
26	Knob, Heat Control (Qty. 2)	---	05.30.082.00	05.30.082.00	05.30.082.00	---	---	---	05.30.082.00	05.30.082.00
27	Decal - Control Plate	---	07.01.255.00	07.01.255.00	07.01.255.00	---	---	---	07.01.255.00	07.01.255.00
28	Shaft Assembly (Qty. 2)	---	04.05.386.00	04.05.386.00	04.05.386.00	---	---	---	04.05.386.00	04.05.386.00
29	Gearmotor, Conveyor †	---	02.12.102.00	02.12.096.00	02.12.079.00	---	---	---	02.12.096.00	02.12.096.00
30	Conveyor Belt	---	05.03.035.00	05.03.035.00	05.03.035.00	---	---	---	05.03.035.00	05.03.035.00
31	Drive Chain	---	05.03.006.00	05.03.006.00	05.03.006.00	---	---	---	05.03.006.00	05.03.006.00
32	Sprocket, Motor • †	---	05.09.025.00	05.09.028.00	05.09.025.00	---	---	---	05.09.025.00	05.09.033.00
33	Sprocket, Conveyor • †	---	05.09.029.00	05.09.030.00	05.09.030.00	---	---	---	05.09.030.00	05.09.030.00
34	Heating Element, Bottom, 750 W	---	---	---	---	---	---	---	---	---
35	Quantity: 2	---	02.09.243.00	02.09.246.00	02.09.243.00	---	---	---	02.09.249.00	02.09.249.00
36	Heating Element, Top, 900 W	---	---	---	---	---	---	---	---	---
37	Bracket - Upper Element (Qty. 2)	---	02.09.244.00	02.09.247.00	02.09.244.00	---	---	---	02.09.250.00	02.09.250.00
38	Power Cord and Plug	---	04.05.314.00	04.05.314.00	04.05.314.00	---	---	---	04.05.314.00	04.05.314.00
39	Circulation Fan	---	02.18.111.00	02.18.036.00	02.18.111.00	---	---	---	02.18.103.00	02.18.103.00
40	Side Panel, R.H.	---	02.12.039.00	02.12.039.00	02.12.039.00	---	---	---	02.12.039.00	02.12.039.00
41	Side Panel, L.H.	---	04.05.303.00	04.05.303.00	04.05.303.00	---	---	---	04.05.303.00	04.05.303.00
42	Side Bottom Panel, Black (Qty. 2)	---	04.05.319.00	04.05.319.00	04.05.319.00	---	---	---	04.05.319.00	04.05.319.00
43A	Cover, Top	---	04.05.309.00	04.05.309.00	04.05.309.00	---	---	---	04.05.309.00	04.05.309.00
43B	Feed Ramp - Standard	---	04.05.301.00	04.05.301.00	04.05.301.00	---	---	---	04.05.301.00	04.05.301.00
44	Feed Ramp - Extended	---	04.05.317.00	04.05.317.00	04.05.317.00	---	---	---	04.05.317.00	04.05.317.00
45	Crumb Tray	---	04.05.075.00	04.05.075.00	04.05.075.00	---	---	---	04.05.075.00	04.05.075.00
46	Toast Chute	---	R04.05.356.00	R04.05.356.00	R04.05.356.00	---	---	---	R04.05.356.00	R04.05.356.00
47	Toast Collector Pan	---	04.05.311.00	04.05.311.00	04.05.311.00	---	---	---	04.05.311.00	04.05.311.00
48	Legs, 1" (3 cm)	---	04.05.384.00	04.05.384.00	04.05.384.00	---	---	---	04.05.384.00	04.05.384.00
49	Fuse Block	---	R05.30.081.00	R05.30.081.00	R05.30.081.00	---	---	---	R05.30.081.00	R05.30.081.00
50	Fuse †	---	---	---	---	---	---	---	---	---
51	Indicator Light (not shown)	---	02.19.151.00	02.19.151.00	02.19.151.00	---	---	---	02.03.004.00	02.03.004.00
52	Wiring Diagram	---	10-01-488	10-01-488	10-01-488	---	---	---	R02.03.001.02	R02.03.001.02
53		---	---	---	---	---	---	---	02.19.151.00	02.19.151.00
54		---	---	---	---	---	---	---	10-01-489	10-01-489

† Fuses sold two per package. • 208 V Canadian units use Motor Sprocket 05.09.028.00 and Conveyor Sprocket 05.09.030.00.  
240 V Canadian units use Motor Sprocket 05.09.028.00 and Conveyor Sprocket 05.09.045.00.



# PARTS SPECIFIC TO MODEL TQ-800BA

Item	Description	120V 60 Hz	208V 60 Hz	240V 60 Hz	200V 50/60 Hz	220V 50 Hz	220V 60 Hz	240V 50 Hz	220-230V CE 50 Hz	230-240V CE 50 Hz
14	Terminal Block - 2 Pole	---	R02.15.045.00	R02.15.045.00	R02.15.045.00	---	---	---	R02.15.045.00	R02.15.045.00
17	Control Board w/High Limits	---	R02.01.229.00	R02.01.229.00	R02.01.229.00	---	---	---	R02.01.229.00	R02.01.229.00
18	Potentiometers with Harness	---	02.13.322.00	02.13.322.00	02.13.322.00	---	---	---	02.13.322.00	02.13.322.00
19	High Limit - T-Stat - Board (Qty. 2)	---	02.16.122.00	02.16.122.00	02.16.122.00	---	---	---	02.16.122.00	02.16.122.00
20	High Limit - T-Stat - Sidewall	---	02.16.120.00	02.16.120.00	02.16.120.00	---	---	---	02.16.120.00	02.16.120.00
21	High Limit - T-Stat - Floor Panel	---	R02.16.117.00	R02.16.117.00	R02.16.117.00	---	---	---	R02.16.117.00	R02.16.117.00
22	Transformer	---	02.17.040.00	02.17.040.00	02.17.040.00	---	---	---	02.17.040.00	02.17.040.00
23	Probe - RTD	---	02.01.192.00	02.01.192.00	02.01.192.00	---	---	---	02.01.192.00	02.01.192.00
24	Switch, Power Save	---	02.19.164.00	02.19.164.00	02.19.164.00	---	---	---	02.19.164.00	02.19.164.00
25	Knob, Color Control	---	05.30.020.00	05.30.020.00	05.30.020.00	---	---	---	05.30.020.00	05.30.020.00
26	Knob, Heat Control (Qty. 2)	---	05.30.082.00	05.30.082.00	05.30.082.00	---	---	---	05.30.082.00	05.30.082.00
27	Decal - Control Plate	---	07.01.266.00	07.01.266.00	07.01.266.00	---	---	---	07.01.266.00	07.01.266.00
28	Shaft Assembly (Qty. 2)	---	04.05.386.00	04.05.386.00	04.05.386.00	---	---	---	04.05.386.00	04.05.386.00
29	Gearmotor, Conveyor ‡	---	02.12.102.00	02.12.096.00	02.12.079.00	---	---	---	02.12.096.00	02.12.096.00
30	Conveyor Belt	---	05.03.035.00	05.03.035.00	05.03.035.00	---	---	---	05.03.035.00	05.03.035.00
31	Drive Chain	---	05.03.006.00	05.03.006.00	05.03.006.00	---	---	---	05.03.006.00	05.03.006.00
32	Sprocket, Motor ‡	---	05.09.033.00	05.09.025.00	05.09.033.00	---	---	---	05.09.033.00	05.09.033.00
33	Sprocket, Conveyor	---	05.09.020.00	05.09.020.00	05.09.030.00	---	---	---	05.09.030.00	05.09.029.00
34	Heating Element, Bottom, 750 W	---				---	---	---		
35	Quantity: 1	---	02.09.243.00	02.09.246.00	02.09.243.00	---	---	---	02.09.249.00	02.09.249.00
36	Heating Element, Top, 1250 W	---				---	---	---		
37	Quantity: 2	---	02.09.254.00	02.09.256.00	02.09.254.00	---	---	---	02.09.252.00	02.09.252.00
38	Bracket - Upper Element (Qty. 2)	---	04.05.357.00	04.05.357.00	04.05.357.00	---	---	---	04.05.357.00	04.05.357.00
39	Power Cord and Plug	---	02.18.111.00	02.18.036.00	02.18.103.00	---	---	---	02.18.103.00	02.18.103.00
40	Circulation Fan	---	02.12.039.00	02.12.039.00	02.12.039.00	---	---	---	02.12.039.00	02.12.039.00
41	Side Panel, R.H.	---	04.05.303.00	04.05.303.00	04.05.303.00	---	---	---	04.05.303.00	04.05.303.00
42	Side Panel, L.H.	---	04.05.319.00	04.05.319.00	04.05.319.00	---	---	---	04.05.319.00	04.05.319.00
43A	Side Bottom Panel, Black (Qty. 2)	---	04.05.309.00	04.05.309.00	04.05.309.00	---	---	---	04.05.309.00	04.05.309.00
43B	Cover, Top	---	04.05.301.00	04.05.301.00	04.05.301.00	---	---	---	04.05.301.00	04.05.301.00
44	Feed Ramp - Standard	---	04.05.317.00	04.05.317.00	04.05.317.00	---	---	---	04.05.317.00	04.05.317.00
45	Feed Ramp - Extended	---	---	---	---	---	---	---	---	---
46	Crumb Tray	---	R04.05.356.00	R04.05.356.00	R04.05.356.00	---	---	---	R04.05.356.00	R04.05.356.00
47	Toast Chute	---	04.05.311.00	04.05.311.00	04.05.311.00	---	---	---	04.05.311.00	04.05.311.00
48	Toast Collector Pan	---	04.05.384.00	04.05.384.00	04.05.384.00	---	---	---	04.05.384.00	04.05.384.00
49	Legs, 1" (3 cm)	---	R05.30.081.00	R05.30.081.00	R05.30.081.00	---	---	---	R05.30.081.00	R05.30.081.00
50	Fuse Block	---	---	---	---	---	---	---	02.03.004.00	02.03.004.00
51	Fuse †	---	---	---	---	---	---	---	R02.03.001.02	R02.03.001.02
52	Indicator Light (not shown)	---	02.19.151.00	02.19.151.00	02.19.151.00	---	---	---	02.19.151.00	02.19.151.00
53	Wiring Diagram	---	10-01-488	10-01-488	10-01-489	---	---	---	10-01-489	10-01-489

Shaded areas contain information for international models only. † Fuses sold two per package. ‡ Refer to ADDENDUM section for units with date code of 1026 or earlier.



# PARTS SPECIFIC TO MODEL TQ-800HBA

Item	Description	120V 60 Hz	208V 60 Hz	240V 60 Hz	200V 50/60 Hz	220V 50 Hz	220V 60 Hz	240V 50 Hz	220-230V CE 50 Hz	230-240V CE 50 Hz
14	Terminal Block - 2 Pole	---	R02.15.045.00	R02.15.045.00	R02.15.045.00	---	---	---	R02.15.045.00	R02.15.045.00
17	Control Board w/High Limits	---	R02.01.229.00	R02.01.229.00	R02.01.229.00	---	---	---	R02.01.229.00	R02.01.229.00
18	Potentiometers with Harness	---	02.13.322.00	02.13.322.00	02.13.322.00	---	---	---	02.13.322.00	02.13.322.00
19	High Limit - T-Stat - Board (Qty. 2)	---	02.16.122.00	02.16.122.00	02.16.122.00	---	---	---	02.16.122.00	02.16.122.00
20	High Limit - T-Stat - Sidewall	---	02.16.120.00	02.16.120.00	02.16.120.00	---	---	---	02.16.120.00	02.16.120.00
21	High Limit - T-Stat - Floor Panel	---	R02.16.117.00	R02.16.117.00	R02.16.117.00	---	---	---	R02.16.117.00	R02.16.117.00
22	Transformer	---	02.17.040.00	02.17.040.00	02.17.040.00	---	---	---	02.17.040.00	02.17.040.00
23	Probe - RTD	---	02.01.192.00	02.01.192.00	02.01.192.00	---	---	---	02.01.192.00	02.01.192.00
24	Switch, Power Save	---	02.19.164.00	02.19.164.00	02.19.164.00	---	---	---	02.19.164.00	02.19.164.00
25	Knob, Color Control	---	05.30.020.00	05.30.020.00	05.30.020.00	---	---	---	05.30.020.00	05.30.020.00
26	Knob, Heat Control (Qty. 2)	---	05.30.082.00	05.30.082.00	05.30.082.00	---	---	---	05.30.082.00	05.30.082.00
27	Decal - Control Plate	---	07.01.266.00	07.01.266.00	07.01.266.00	---	---	---	07.01.266.00	07.01.266.00
28	Shaft Assembly (Qty. 2)	---	04.05.386.00	04.05.386.00	04.05.386.00	---	---	---	04.05.386.00	04.05.386.00
29	Gearmotor, Conveyor †	---	02.12.102.00	02.12.096.00	02.12.079.00	---	---	---	02.12.096.00	02.12.096.00
30	Conveyor Belt	---	05.03.035.00	05.03.035.00	05.03.035.00	---	---	---	05.03.035.00	05.03.035.00
31	Drive Chain	---	05.03.006.00	05.03.006.00	05.03.006.00	---	---	---	05.03.006.00	05.03.006.00
32	Sprocket, Motor †	---	05.09.033.00	05.09.025.00	05.09.025.00	---	---	---	05.09.025.00	05.09.033.00
33	Sprocket, Conveyor	---	05.09.029.00	05.09.029.00	05.09.030.00	---	---	---	05.09.030.00	05.09.030.00
34	Heating Element, Bottom, 750 W	---	---	02.09.243.00	02.09.243.00	---	---	---	02.09.249.00	02.09.249.00
35	Quantity: 1	---	---	---	---	---	---	---	---	---
36	Heating Element, Top, 1250 W	---	02.09.254.00	02.09.256.00	02.09.254.00	---	---	---	02.09.252.00	02.09.252.00
37	Bracket - Upper Element (Qty. 2)	---	04.05.357.00	04.05.357.00	04.05.357.00	---	---	---	04.05.357.00	04.05.357.00
38	Power Cord and Plug	---	02.18.111.00	02.18.036.00	02.18.111.00	---	---	---	02.18.038.00	02.18.103.00
39	Circulation Fan	---	02.12.039.00	02.12.039.00	02.12.039.00	---	---	---	02.12.039.00	02.12.039.00
40	Side Panel, R.H.	---	04.05.303.00	04.05.303.00	04.05.303.00	---	---	---	04.05.303.00	04.05.303.00
41	Side Panel, L.H.	---	04.05.319.00	04.05.319.00	04.05.319.00	---	---	---	04.05.319.00	04.05.319.00
42	Side Bottom Panel, Black (Qty. 2)	---	04.05.309.00	04.05.309.00	04.05.309.00	---	---	---	04.05.309.00	04.05.309.00
43A	Cover, Top	---	04.05.301.00	04.05.301.00	04.05.301.00	---	---	---	04.05.301.00	04.05.301.00
43B	Feed Ramp - Standard	---	04.05.317.00	04.05.317.00	04.05.317.00	---	---	---	04.05.317.00	04.05.317.00
44	Feed Ramp - Extended	---	---	---	---	---	---	---	---	---
45	Crumb Tray	---	R04.05.356.00	R04.05.356.00	R04.05.356.00	---	---	---	R04.05.356.00	R04.05.356.00
46	Toast Chute	---	04.05.311.00	04.05.311.00	04.05.311.00	---	---	---	04.05.311.00	04.05.311.00
47	Toast Collector Pan	---	04.05.384.00	04.05.384.00	04.05.384.00	---	---	---	04.05.384.00	04.05.384.00
48	Legs, 1" (3 cm)	---	R05.30.081.00	R05.30.081.00	R05.30.081.00	---	---	---	R05.30.081.00	R05.30.081.00
49	Fuse Block	---	---	---	---	---	---	---	---	---
50	Fuse †	---	---	---	---	---	---	---	---	---
51	Indicator Light (not shown)	---	02.19.151.00	02.19.151.00	02.19.151.00	---	---	---	02.19.151.00	02.19.151.00
52	Wiring Diagram	---	10-01-488	10-01-488	10-01-489	---	---	---	10-01-489	10-01-489

Shaded areas contain information for **International models only**. † Fuses sold two per package. ‡ Refer to ADDENDUM section for units with date code of 1026 or earlier.



## PARTS SPECIFIC TO MODEL TQ-800BA-DUNKIN

Item	Description	120V	208V	240V	200V	220V	220V	240V	220-230V CE	230-240V CE
		60 Hz	60 Hz	60 Hz	50/60 Hz	50 Hz	60 Hz	50 Hz	50 Hz	50 Hz
14	Terminal Block - 2 Pole	---	R02.15.045.00	R02.15.045.00	---	---	---	---	---	---
17	Control Board w/High Limits	---	R02.01.229.00	R02.01.229.00	---	---	---	---	---	---
18	Potentiometers with Harness	---	02.13.329.00	02.13.329.00	---	---	---	---	---	---
19	High Limit - T-Stat - Board (Qty. 2)	---	02.16.122.00	02.16.122.00	---	---	---	---	---	---
20	High Limit - T-Stat - Sidewall	---	02.16.120.00	02.16.120.00	---	---	---	---	---	---
21	High Limit - T-Stat - Floor Panel	---	R02.16.117.00	R02.16.117.00	---	---	---	---	---	---
22	Transformer	---	02.17.040.00	02.17.040.00	---	---	---	---	---	---
23	Probe - RTD	---	02.01.192.00	02.01.192.00	---	---	---	---	---	---
24	Switch, Power Save	---	02.19.164.00	02.19.164.00	---	---	---	---	---	---
25	Knob, Color Control	---	05.30.020.00	05.30.020.00	---	---	---	---	---	---
26	Knob, Heat Control	---	---	---	---	---	---	---	---	---
27	Decal - Control Plate	---	07.01.289.00	07.01.289.00	---	---	---	---	---	---
28	Shaft Assembly (Qty. 2)	---	04.05.386.00	04.05.386.00	---	---	---	---	---	---
29	Gearmotor, Conveyor ‡	---	02.12.102.00	02.12.096.00	---	---	---	---	---	---
30	Conveyor Belt	---	05.03.035.00	05.03.035.00	---	---	---	---	---	---
31	Drive Chain	---	05.03.006.00	05.03.006.00	---	---	---	---	---	---
32	Sprocket, Motor ‡	---	05.09.033.00	05.09.025.00	---	---	---	---	---	---
33	Sprocket, Conveyor	---	05.09.020.00	05.09.020.00	---	---	---	---	---	---
34	Heating Element, Bottom, 750 W	---	02.09.243.00	02.09.246.00	---	---	---	---	---	---
35	Quantity: 1	---	---	---	---	---	---	---	---	---
35	Heating Element, Top, 1250 W	---	02.09.254.00	02.09.256.00	---	---	---	---	---	---
36	Quantity: 2	---	04.05.357.00	04.05.357.00	---	---	---	---	---	---
36	Bracket - Upper Element (Qty. 2)	---	02.18.186.00	02.18.186.00	---	---	---	---	---	---
37	Power Cord and Plug	---	02.12.039.00	02.12.039.00	---	---	---	---	---	---
38	Circulation Fan	---	04.05.303.00	04.05.303.00	---	---	---	---	---	---
39	Side Panel, R.H.	---	04.05.319.00	04.05.319.00	---	---	---	---	---	---
40	Side Panel, L.H.	---	04.05.309.00	04.05.309.00	---	---	---	---	---	---
41	Side Bottom Panel, Black (Qty. 2)	---	04.05.301.00	04.05.301.00	---	---	---	---	---	---
42	Cover, Top	---	04.05.317.00	04.05.317.00	---	---	---	---	---	---
43A	Feed Ramp - Standard	---	---	---	---	---	---	---	---	---
43B	Feed Ramp - Extended	---	R04.05.356.00	R04.05.356.00	---	---	---	---	---	---
44	Crumb Tray	---	04.05.311.00	04.05.311.00	---	---	---	---	---	---
45	Toast Chute	---	04.05.384.00	04.05.384.00	---	---	---	---	---	---
46	Toast Collector Pan	---	R05.30.081.00	R05.30.081.00	---	---	---	---	---	---
47	Legs, 1" (3 cm)	---	---	---	---	---	---	---	---	---
48	Fuse Block	---	---	---	---	---	---	---	---	---
49	Fuse	---	---	---	---	---	---	---	---	---
50	Indicator Light (not shown)	---	02.19.151.00	02.19.151.00	---	---	---	---	---	---
	Wiring Diagram	---	10-01-488	10-01-488	---	---	---	---	---	---

Shaded areas contain information for **international models only**. ‡ Refer to ADDENDUM section for units with date code of 1026 or earlier.





# PARTS SPECIFIC TO MODEL TQ-1200

Item	Description	120V 60 Hz	208V 60 Hz	240V 60 Hz	200V 50/60 Hz	220V 50 Hz	220V 60 Hz	240V 50 Hz	220-230V CE 50 Hz	230-240V CE 50 Hz
14	Terminal Block - 2 Pole	---	R02.15.045.00	R02.15.045.00	---	---	---	---	---	---
17	Control Board w/High Limits	---	R02.01.229.00	R02.01.229.00	---	---	---	---	---	---
18	Potentiometers with Harness	---	02.13.322.00	02.13.322.00	---	---	---	---	---	---
19	High Limit - T-Stat - Board (Qty. 2)	---	02.16.122.00	02.16.122.00	---	---	---	---	---	---
20	High Limit - T-Stat - Sidewall	---	02.16.120.00	02.16.120.00	---	---	---	---	---	---
21	High Limit - T-Stat - Floor Panel	---	R02.16.117.00	R02.16.117.00	---	---	---	---	---	---
22	Transformer	---	02.17.040.00	02.17.040.00	---	---	---	---	---	---
23	Probe - RTD	---	02.01.192.00	02.01.192.00	---	---	---	---	---	---
24	Switch, Power Save	---	02.19.164.00	02.19.164.00	---	---	---	---	---	---
25	Knob, Color Control	---	05.30.020.00	05.30.020.00	---	---	---	---	---	---
26	Knob, Heat Control (Qty. 2)	---	05.30.082.00	05.30.082.00	---	---	---	---	---	---
27	Decal - Control Plate	---	07.01.255.00	07.01.255.00	---	---	---	---	---	---
28	Shaft Assembly (Qty. 2)	---	04.05.386.00	04.05.386.00	---	---	---	---	---	---
29	Gearmotor, Conveyor †	---	02.12.102.00	02.12.096.00	---	---	---	---	---	---
30	Conveyor Belt	---	05.03.035.00	05.03.035.00	---	---	---	---	---	---
31	Drive Chain	---	05.03.006.00	05.03.006.00	---	---	---	---	---	---
32	Sprocket, Motor †	---	05.09.033.00	05.09.025.00	---	---	---	---	---	---
33	Sprocket, Conveyor •	---	05.09.020.00	05.09.020.00	---	---	---	---	---	---
34	Heating Element, Front, 900 W	---	---	---	---	---	---	---	---	---
35	Quantity: 2	---	02.09.244.00	02.09.247.00	---	---	---	---	---	---
35	Heating Element, Rear, 1100 W	---	---	---	---	---	---	---	---	---
36	Quantity: 2	---	02.09.245.00	02.09.248.00	---	---	---	---	---	---
36	Bracket - Upper Element (Qty. 2)	---	04.05.357.00	04.05.357.00	---	---	---	---	---	---
37	Power Cord and Plug	---	02.18.122.00	02.18.122.00	---	---	---	---	---	---
38	Circulation Fan	---	02.12.039.00	02.12.039.00	---	---	---	---	---	---
39	Side Panel, R.H.	---	04.05.303.00	04.05.303.00	---	---	---	---	---	---
40	Side Panel, L.H.	---	04.05.319.00	04.05.319.00	---	---	---	---	---	---
41	Side Bottom Panel, Black (Qty. 2)	---	04.05.309.00	04.05.309.00	---	---	---	---	---	---
42	Cover, Top	---	04.05.382.00	04.05.382.00	---	---	---	---	---	---
43A	Feed Ramp - Standard	---	---	---	---	---	---	---	---	---
43B	Feed Ramp - Extended	---	---	---	---	---	---	---	---	---
44	Crumb Tray	---	---	---	---	---	---	---	---	---
44	Crumb Tray	---	R04.05.356.00	R04.05.356.00	---	---	---	---	---	---
45	Toast Chute	---	04.05.311.00	04.05.311.00	---	---	---	---	---	---
46	Toast Collector Pan	---	04.05.384.00	04.05.384.00	---	---	---	---	---	---
47	Legs, 1" (3 cm)	---	R05.30.081.00	R05.30.081.00	---	---	---	---	---	---
48	Fuse Block	---	02.03.022.00	02.03.022.00	---	---	---	---	---	---
49	Fuse (Qty. 2) †	---	R02.03.052.02	R02.03.052.02	---	---	---	---	---	---
50	Indicator Light (not shown)	---	02.19.151.00	02.19.151.00	---	---	---	---	---	---
50	Wiring Diagram	---	10-01-488	10-01-488	---	---	---	---	---	---

Shaded areas contain information for **International models only**. † Fuses sold two per package. • 208 V and 240 V Canadian units use conveyor sprocket 05.09.029.00.



# PARTS SPECIFIC TO MODEL TQ-1800

Item	Description	120V 60 Hz	208V 60 Hz	240V 60 Hz	200V 50/60 Hz	220V 50 Hz	220V 60 Hz	240V 50 Hz	220-230V CE 50 Hz	230-240V CE 50 Hz
14	Terminal Block - 2 Pole	---	R02.15.045.00	R02.15.045.00	---	---	---	---	---	---
17	Control Board w/High Limits	---	R02.01.229.00	R02.01.229.00	---	---	---	---	---	---
18	Potentiometers with Harness	---	02.13.322.00	02.13.322.00	---	---	---	---	---	---
19	High Limit - T-Stat - Board (Qty. 2)	---	02.16.122.00	02.16.122.00	---	---	---	---	---	---
20	High Limit - T-Stat - Sidewall	---	02.16.120.00	02.16.120.00	---	---	---	---	---	---
21	High Limit - T-Stat - Floor Panel	---	R02.16.117.00	R02.16.117.00	---	---	---	---	---	---
22	Transformer	---	02.17.040.00	02.17.040.00	---	---	---	---	---	---
23	Probe - RTD	---	02.01.192.00	02.01.192.00	---	---	---	---	---	---
24	Switch, Power Save	---	02.19.164.00	02.19.164.00	---	---	---	---	---	---
25	Knob, Color Control	---	05.30.020.00	05.30.020.00	---	---	---	---	---	---
26	Knob, Heat Control (Qty. 2)	---	05.30.082.00	05.30.082.00	---	---	---	---	---	---
27	Decal - Control Plate	---	07.01.301.00	07.01.301.00	---	---	---	---	---	---
28A	Shaft Assembly, Front	---	04.05.465.00	04.05.465.00	---	---	---	---	---	---
28B	Shaft Assembly, Rear	---	04.05.491.00	04.05.491.00	---	---	---	---	---	---
29	Gearmotor, Conveyor †	---	02.12.102.00	02.12.096.00	---	---	---	---	---	---
30	Conveyor Belt	---	05.03.046.00	05.03.046.00	---	---	---	---	---	---
31	Drive Chain	---	05.03.006.00	05.03.006.00	---	---	---	---	---	---
32	Sprocket, Motor †	---	05.09.033.00	05.09.025.00	---	---	---	---	---	---
33	Sprocket, Conveyor	---	05.09.020.00	05.09.020.00	---	---	---	---	---	---
34	Heating Element, Front and Rear Bottom, 1050 W, Quantity: 3	---	02.09.266E.00	02.09.269E.00	---	---	---	---	---	---
35	Heating Element, Rear Top, 1260 W Quantity: 1	---	02.09.267E.00	02.09.270E.00	---	---	---	---	---	---
36	Bracket - Upper Element (Qty. 2)	---	04.05.357.00	04.05.357.00	---	---	---	---	---	---
37	Power Cord and Plug	---	02.18.122.00	02.18.122.00	---	---	---	---	---	---
38	Circulation Fan	---	02.12.039.00	02.12.039.00	---	---	---	---	---	---
39	Side Panel, R.H.	---	04.05.303.00	04.05.303.00	---	---	---	---	---	---
40	Side Panel, L.H.	---	04.05.319.00	04.05.319.00	---	---	---	---	---	---
41	Side Bottom Panel, Black (Qty. 2)	---	04.05.309.00	04.05.309.00	---	---	---	---	---	---
42	Cover, Top	---	04.05.478.00	04.05.478.00	---	---	---	---	---	---
43A	Feed Ramp - Standard	---	04.05.485.00	04.05.485.00	---	---	---	---	---	---
43B	Feed Ramp - Extended	---	---	---	---	---	---	---	---	---
44	Crumb Tray	---	R04.05.481.00	R04.05.481.00	---	---	---	---	---	---
45	Toast Chute	---	04.05.479.00	04.05.479.00	---	---	---	---	---	---
46	Toast Collector Pan	---	04.05.483.00	04.05.483.00	---	---	---	---	---	---
47	Legs, 1" (3 cm)	---	R05.30.081.00	R05.30.081.00	---	---	---	---	---	---
48	Fuse Block	---	02.03.022.00	02.03.022.00	---	---	---	---	---	---
49	Fuse (Qty. 2) †	---	R02.03.052.02	R02.03.052.02	---	---	---	---	---	---
50	Indicator Light (not shown)	---	02.19.151.00	02.19.151.00	---	---	---	---	---	---
	Wiring Diagram	---	10-01-488	10-01-488	---	---	---	---	---	---

Shaded areas contain information for **international models only**. † Fuses sold two per package. ‡ Refer to ADDENDUM section for units with date code of 1026 or earlier.



## PARTS SPECIFIC TO MODEL TQ-1800H

Item	Description	120V 60 Hz	208V 60 Hz	240V 60 Hz	200V 50/60 Hz	220V 50 Hz	220V 60 Hz	240V 50 Hz	220-230V CE 50 Hz	230-240V CE 50 Hz
14	Terminal Block - 2 Pole	---	R02.15.045.00	R02.15.045.00	---	---	---	---	---	---
17	Control Board w/High Limits	---	R02.01.229.00	R02.01.229.00	---	---	---	---	---	---
18	Potentiometers with Harness	---	02.13.322.00	02.13.322.00	---	---	---	---	---	---
19	High Limit - T-Stat - Board (Qty. 2)	---	02.16.122.00	02.16.122.00	---	---	---	---	---	---
20	High Limit - T-Stat - Sidewall	---	02.16.120.00	02.16.120.00	---	---	---	---	---	---
21	High Limit - T-Stat - Floor Panel	---	R02.16.117.00	R02.16.117.00	---	---	---	---	---	---
22	Transformer	---	02.17.040.00	02.17.040.00	---	---	---	---	---	---
23	Probe - RTD	---	02.01.192.00	02.01.192.00	---	---	---	---	---	---
24	Switch, Power Save	---	02.19.164.00	02.19.164.00	---	---	---	---	---	---
25	Knob, Color Control	---	05.30.020.00	05.30.020.00	---	---	---	---	---	---
26	Knob, Heat Control (Qty. 2)	---	05.30.082.00	05.30.082.00	---	---	---	---	---	---
27	Decal - Control Plate	---	07.01.301.00	07.01.301.00	---	---	---	---	---	---
28A	Shaft Assembly, Front	---	04.05.465.00	04.05.465.00	---	---	---	---	---	---
28B	Shaft Assembly, Rear	---	04.05.491.00	04.05.491.00	---	---	---	---	---	---
29	Gearmotor, Conveyor ‡	---	02.12.102.00	02.12.096.00	---	---	---	---	---	---
30	Conveyor Belt	---	05.03.046.00	05.03.046.00	---	---	---	---	---	---
31	Drive Chain	---	05.03.006.00	05.03.006.00	---	---	---	---	---	---
32	Sprocket, Motor ‡	---	05.09.025.00	05.09.028.00	---	---	---	---	---	---
33	Sprocket, Conveyor ‡	---	05.09.029.00	05.09.030.00	---	---	---	---	---	---
34	Heating Element, Top, 1260 W	---	02.09.267E.00	02.09.270E.00	---	---	---	---	---	---
35	Quantity: 2 Heating Element, Bottom, 1050 W	---	02.09.266E.00	02.09.269E.00	---	---	---	---	---	---
36	Bracket - Upper Element (Qty. 2)	---	04.05.314.00	04.05.314.00	---	---	---	---	---	---
37	Power Cord and Plug	---	02.18.122.00	02.18.122.00	---	---	---	---	---	---
38	Circulation Fan	---	02.12.039.00	02.12.039.00	---	---	---	---	---	---
39	Side Panel, R.H.	---	04.05.303.00	04.05.303.00	---	---	---	---	---	---
40	Side Panel, L.H.	---	04.05.319.00	04.05.319.00	---	---	---	---	---	---
41	Side Bottom Panel, Black (Qty. 2)	---	04.05.309.00	04.05.309.00	---	---	---	---	---	---
42	Cover, Top	---	04.05.478.00	04.05.478.00	---	---	---	---	---	---
43A	Feed Ramp - Standard	---	04.05.485.00	04.05.485.00	---	---	---	---	---	---
43B	Feed Ramp - Extended	---	---	---	---	---	---	---	---	---
44	Crumb Tray	---	R04.05.481.00	R04.05.481.00	---	---	---	---	---	---
45	Toast Chute	---	04.05.479.00	04.05.479.00	---	---	---	---	---	---
46	Toast Collector Pan	---	04.05.483.00	04.05.483.00	---	---	---	---	---	---
47	Legs, 1" (3 cm)	---	R05.30.081.00	R05.30.081.00	---	---	---	---	---	---
48	Fuse Block	---	02.03.022.00	02.03.022.00	---	---	---	---	---	---
49	Fuse (Qty. 2) †	---	R02.03.052.02	R02.03.052.02	---	---	---	---	---	---
50	Indicator Light (not shown)	---	02.19.151.00	02.19.151.00	---	---	---	---	---	---
	Wiring Diagram	---	10-01-488	10-01-488	---	---	---	---	---	---

Shaded areas contain information for **International models only**.

† Fuses sold two per package.

‡ Refer to ADDENDUM section for units with date code of 1026 or earlier.



# PARTS SPECIFIC TO MODEL TQ-1800BA

Item	Description	120V 60 Hz	208V 60 Hz	240V 60 Hz	200V 50/60 Hz	220V 50 Hz	220V 60 Hz	240V 50 Hz	220-230V CE 50 Hz	230-240V CE 50 Hz
14	Terminal Block - 2 Pole	---	R02.15.045.00	R02.15.045.00	---	---	---	---	---	---
17	Control Board w/High Limits	---	R02.01.229.00	R02.01.229.00	---	---	---	---	---	---
18	Potentiometers with Harness	---	02.13.322.00	02.13.322.00	---	---	---	---	---	---
19	High Limit - T-Stat - Board (Qty. 2)	---	02.16.122.00	02.16.122.00	---	---	---	---	---	---
20	High Limit - T-Stat - Sidewall	---	02.16.120.00	02.16.120.00	---	---	---	---	---	---
21	High Limit - T-Stat - Floor Panel	---	R02.16.117.00	R02.16.117.00	---	---	---	---	---	---
22	Transformer	---	02.17.040.00	02.17.040.00	---	---	---	---	---	---
23	Probe - RTD	---	02.01.192.00	02.01.192.00	---	---	---	---	---	---
24	Switch, Power Save	---	02.19.164.00	02.19.164.00	---	---	---	---	---	---
25	Knob, Color Control	---	05.30.020.00	05.30.020.00	---	---	---	---	---	---
26	Knob, Heat Control (Qty. 2)	---	05.30.082.00	05.30.082.00	---	---	---	---	---	---
27	Decal - Control Plate	---	07.01.302.00	07.01.302.00	---	---	---	---	---	---
28A	Shaft Assembly, Front	---	04.05.465.00	04.05.465.00	---	---	---	---	---	---
28B	Shaft Assembly, Rear	---	04.05.491.00	04.05.491.00	---	---	---	---	---	---
29	Gearmotor, Conveyor †	---	02.12.102.00	02.12.096.00	---	---	---	---	---	---
30	Conveyor Belt	---	05.03.046.00	05.03.046.00	---	---	---	---	---	---
31	Drive Chain	---	05.03.006.00	05.03.006.00	---	---	---	---	---	---
32	Sprocket, Motor †	---	05.09.033.00	05.09.025.00	---	---	---	---	---	---
33	Sprocket, Conveyor	---	05.09.020.00	05.09.020.00	---	---	---	---	---	---
34	Heating Element, Top, 1750 W	---	---	---	---	---	---	---	---	---
35	Quantity: 2 Heating Element, Bottom, 1050 W	---	02.09.268E.00	02.09.271E.00	---	---	---	---	---	---
36	Quantity: 2 Bracket - Upper Element (Qty. 2)	---	02.09.266E.00	02.09.269E.00	---	---	---	---	---	---
37	Power Cord and Plug	---	04.05.357.00	04.05.357.00	---	---	---	---	---	---
38	Circulation Fan	---	02.18.122.00	02.18.122.00	---	---	---	---	---	---
39	Side Panel, R.H.	---	02.12.039.00	02.12.039.00	---	---	---	---	---	---
40	Side Panel, L.H.	---	04.05.303.00	04.05.303.00	---	---	---	---	---	---
41	Side Bottom Panel, Black (Qty. 2)	---	04.05.319.00	04.05.319.00	---	---	---	---	---	---
42	Cover, Top	---	04.05.309.00	04.05.309.00	---	---	---	---	---	---
43A	Feed Ramp - Standard	---	04.05.478.00	04.05.478.00	---	---	---	---	---	---
43B	Feed Ramp - Extended	---	04.05.485.00	04.05.485.00	---	---	---	---	---	---
44	Crumb Tray	---	---	---	---	---	---	---	---	---
45	Toast Chute	---	R04.05.481.00	R04.05.481.00	---	---	---	---	---	---
46	Toast Collector Pan	---	04.05.479.00	04.05.479.00	---	---	---	---	---	---
47	Legs, 1" (3 cm)	---	04.05.483.00	04.05.483.00	---	---	---	---	---	---
48	Fuse Block	---	R05.30.081.00	R05.30.081.00	---	---	---	---	---	---
49	Fuse (Qty. 2) †	---	02.03.022.00	02.03.022.00	---	---	---	---	---	---
50	Indicator Light (not shown)	---	R02.03.052.02	R02.03.052.02	---	---	---	---	---	---
	Wiring Diagram	---	02.19.151.00	02.19.151.00	---	---	---	---	---	---
		---	10-01-488	10-01-488	---	---	---	---	---	---

Shaded areas contain information for international models only.

† Fuses sold two per package.

‡ Refer to ADDENDUM section for units with date code of 1026 or earlier.



## PARTS SPECIFIC TO MODEL TQ-1800HBA

Item	Description	120V 60 Hz	208V 60 Hz	240V 60 Hz	200V 50/60 Hz	220V 50 Hz	220V 60 Hz	240V 50 Hz	220-230V CE 50 Hz	230-240V CE 50 Hz
14	Terminal Block - 2 Pole	---	R02.15.045.00	R02.15.045.00	---	---	---	---	---	---
17	Control Board w/High Limits	---	R02.01.229.00	R02.01.229.00	---	---	---	---	---	---
18	Potentiometers with Harness	---	02.13.322.00	02.13.322.00	---	---	---	---	---	---
19	High Limit - T-Stat - Board (Qty. 2)	---	02.16.122.00	02.16.122.00	---	---	---	---	---	---
20	High Limit - T-Stat - Sidewall	---	02.16.120.00	02.16.120.00	---	---	---	---	---	---
21	High Limit - T-Stat - Floor Panel	---	R02.16.117.00	R02.16.117.00	---	---	---	---	---	---
22	Transformer	---	02.17.040.00	02.17.040.00	---	---	---	---	---	---
23	Probe - RTD	---	02.01.192.00	02.01.192.00	---	---	---	---	---	---
24	Switch, Power Save	---	02.19.164.00	02.19.164.00	---	---	---	---	---	---
25	Knob, Color Control	---	05.30.020.00	05.30.020.00	---	---	---	---	---	---
26	Knob, Heat Control (Qty. 2)	---	05.30.082.00	05.30.082.00	---	---	---	---	---	---
27	Decal - Control Plate	---	07.01.302.00	07.01.302.00	---	---	---	---	---	---
28A	Shaft Assembly, Front	---	04.05.465.00	04.05.465.00	---	---	---	---	---	---
28B	Shaft Assembly, Rear	---	04.05.491.00	04.05.491.00	---	---	---	---	---	---
29	Gearmotor, Conveyor †	---	02.12.102.00	02.12.096.00	---	---	---	---	---	---
30	Conveyor Belt	---	05.03.046.00	05.03.046.00	---	---	---	---	---	---
31	Drive Chain	---	05.03.006.00	05.03.006.00	---	---	---	---	---	---
32	Sprocket, Motor †	---	05.09.033.00	05.09.025.00	---	---	---	---	---	---
33	Sprocket, Conveyor	---	05.09.020.00	05.09.020.00	---	---	---	---	---	---
34	Heating Element, Top, 1750 W	---	02.09.268E.00	02.09.271E.00	---	---	---	---	---	---
35	Heating Element, Bottom, 1050 W	---	02.09.266E.00	02.09.269E.00	---	---	---	---	---	---
36	Bracket - Upper Element (Qty. 2)	---	---	---	---	---	---	---	---	---
37	Power Cord and Plug	---	02.18.122.00	02.18.122.00	---	---	---	---	---	---
38	Circulation Fan	---	02.12.039.00	02.12.039.00	---	---	---	---	---	---
39	Side Panel, R.H.	---	04.05.303.00	04.05.303.00	---	---	---	---	---	---
40	Side Panel, L.H.	---	04.05.319.00	04.05.319.00	---	---	---	---	---	---
41	Side Bottom Panel, Black (Qty. 2)	---	04.05.309.00	04.05.309.00	---	---	---	---	---	---
42	Cover, Top	---	04.05.478.00	04.05.478.00	---	---	---	---	---	---
43A	Feed Ramp - Standard	---	04.05.485.00	04.05.485.00	---	---	---	---	---	---
43B	Feed Ramp - Extended	---	---	---	---	---	---	---	---	---
44	Crumb Tray	---	R04.05.481.00	R04.05.481.00	---	---	---	---	---	---
45	Toast Chute	---	04.05.479.00	04.05.479.00	---	---	---	---	---	---
46	Toast Collector Pan	---	04.05.483.00	04.05.483.00	---	---	---	---	---	---
47	Legs, 1" (3 cm)	---	R05.30.081.00	R05.30.081.00	---	---	---	---	---	---
48	Fuse Block	---	02.03.022.00	02.03.022.00	---	---	---	---	---	---
49	Fuse (Qty. 2) †	---	R02.03.052.02	R02.03.052.02	---	---	---	---	---	---
50	Indicator Light (not shown)	---	02.19.151.00	02.19.151.00	---	---	---	---	---	---
	Wiring Diagram	---	10-01-488	10-01-488	---	---	---	---	---	---

Shaded areas contain information for **international models only**.

† Fuses sold two per package.

‡ Refer to APPENDUM section for units with date code of 1026 or earlier.



# HATCO TOAST-QWIK® ELECTRIC CONVEYOR TOASTERS

Model TQ-20BA

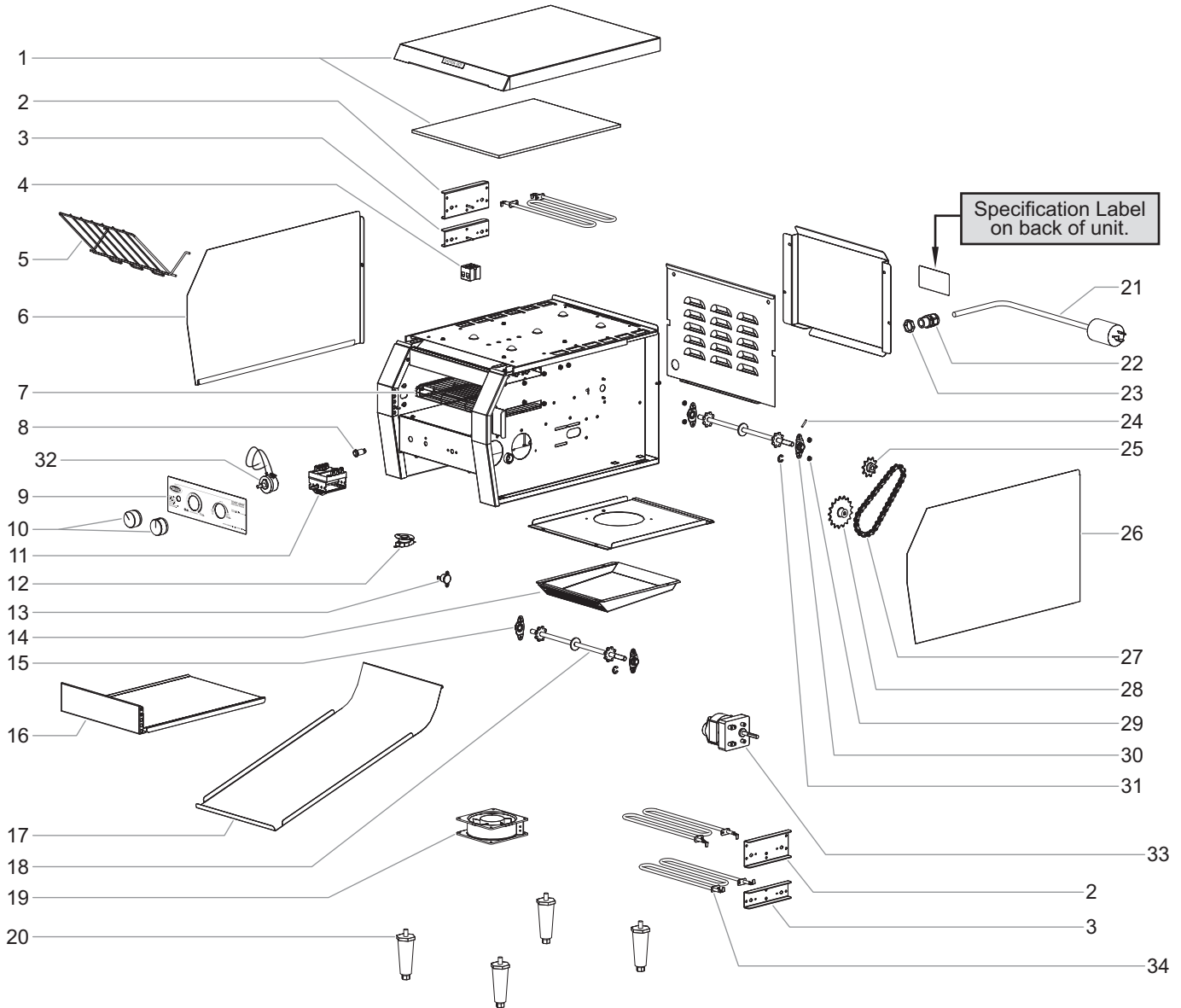
## Model Designation

**T Q - 2 0 B A**

Single-Sided Toasting  
(Bagels, Buns)

200 Slices Per Hour

Toast-Qwik



## PARTS COMMON TO ALL TQ-20BA MODELS

Item	Description	Part Number	Qty.
1	Top Cover and Insulation	R04.05.458.00	1
2	Bracket, Upper Element	04.05.335.00	2
3	Bracket, Lower Element	04.05.336.00	2
4	Terminal Block	R02.15.045.00	1
5	Feed Ramp	04.05.317.00	1
6	Panel, Left Side Cover	R04.05.462.00	1
7	Conveyor Belt	05.03.035.00	1
8	Indicator Light, Red	02.19.151.00	1
9	Control Panel Decal	07.01.335.00	1
10	Knob, Control	05.30.020.00	2
11	Selector Switch	02.19.214.00	1
12	Thermostat, High Limit, Floor *	R02.16.171.00	1
13	Thermostat, High Limit, Side	02.16.120.00	1
14	Bottom Cover	04.05.312.00	1
15	Bearing Assembly w/Nut, Front Shaft	04.05.387.00	2
16	Crumb Tray	R04.05.356.00	1

Item	Description	Part Number	Qty.
17	Discharge Chute	04.05.457.00	1
18	Shaft Assembly	04.05.386.00	2
19	Cooling Fan	02.12.039.00	1
20	Leg, 4", Adjustable	05.30.007.00	4
21	Power Cord w/Plug	02.18.186.00	1
22	Cord Grip	R02.20.259.00	1
23	Cord Grip Nut	02.20.259A.00	1
24	Spring Pin	05.08.006.00	1
25	Sprocket, Conveyor	05.09.029.00	1
26	Panel, Right Side Cover	R04.05.461.00	1
27	Chain, Drive	05.03.006.00	1
28	Sprocket, Motor	05.09.033.00	1
29	Nut, Bearing	05.04.023.00	4
30	Bearing Assembly, Rear Shaft	04.05.286.00	2
31	Snap Ring	05.11.035.00	2
	Wiring Diagram	10-01-823	

\* Units with Date Code 1239 or earlier, use P/N R02.16.117.00.

VOLTAGE-SPECIFIC PARTS FOR TQ-20BA MODELS				
Item	Description	Part Number 208 V, 60 Hz	Part Number 240 V, 60 Hz	Qty.
32	Rheostat Assembly	R02.13.349.00	02.13.350.00	1
33	Gearmotor, Conveyor	02.12.076.00	02.12.077.00	1
34	Heating Elements			
	Upper Front, 1250 W	02.09.254.00	02.09.256.00	1
	Lower Front, 750 W	02.09.243.00	02.09.246.00	1
	Upper Rear, 1250 W	02.09.254.00	02.09.256.00	1

NOTE: The last four digits in a ten digit numerical serial number are the manufacturing date code.

Example: Serial number 9625060751 has a date code of "0751" which indicates the following: 0751

└─ Week Fifty-One  
└─ Year 2007

# ADDENDUM

## Conveyor Gearmotors, Drive Chains, and Sprockets (Date Code 1026 or earlier)

Units with a date code of **1026** or earlier were built with different conveyor gearmotors, drive chains, and sprockets. Use the following part number charts for replacement parts for units built with a date code of **1026** or earlier.

*NOTE: The last four digits in a ten digit numerical serial number are the manufacturing date code.*

*Example: Serial number 9625060751 has a date code of "0751" which indicates the following: 0751*

└─ Week Fifty-One  
└─ Year 2007

*Please note also, prior to January 2001 the serial number date code indicated the month of manufacture.*

*Example: XXXXXX0007*

└─ Month Seven (July)  
└─ Year 2000

### PARTS SPECIFIC TO MODEL TQ-400

Item Description	120V	208V	240V	200V	220–230V (CE)	230–240V (CE)
29 Gearmotor, Conveyor	02.12.081.00	02.12.076.00	02.12.077.00	02.12.079.00	02.12.079.00	02.12.079.00
31 Drive Chain •	05.03.037.00	05.03.006.00	05.03.006.00	05.03.037.00	05.03.037.00	05.03.006.00
32 Sprocket, Motor •	05.09.027.00	05.09.025.00	05.09.025.00	05.09.028.00	05.09.027.00	05.09.025.00

• 208 V and 240 V Canadian units use the following P/N's:

Drive Chain 05.03.037.00  
Motor Sprocket 05.09.028.00

### PARTS SPECIFIC TO MODEL TQ-400BA

Item Description	120V	208V	240V	200V	220–230V (CE)	230–240V (CE)
29 Gearmotor, Conveyor	02.12.081.00	02.12.076.00	02.12.077.00	02.12.079.00	02.12.079.00	02.12.079.00
32 Sprocket, Motor	05.09.027.00	05.09.027.00	05.09.027.00	05.09.027.00	05.09.027.00	05.09.028.00
33 Sprocket, Conveyor	05.09.045.00	05.09.045.00	05.09.045.00	05.09.045.00	05.09.045.00	05.09.045.00

### PARTS SPECIFIC TO MODEL TQ-400H

Item Description	120V	208V	240V	200V	220–230V (CE)	230–240V (CE)
29 Gearmotor, Conveyor	---	02.12.076.00	02.12.077.00	02.12.079.00	02.12.079.00	02.12.079.00
32 Sprocket, Motor	---	05.09.027.00	05.09.027.00	05.09.027.00	05.09.027.00	05.09.027.00

### PARTS SPECIFIC TO MODEL TQ-405

Item Description	120V	208V	240V	200V	220–230V (CE)	230–240V (CE)
29 Gearmotor, Conveyor	---	---	---	---	02.12.079.00	02.12.079.00



## PARTS SPECIFIC TO MODELS TQ-800 AND TQ-800BA

Item Description	120V	208V	240V	200V	220-230V (CE)	230-240V (CE)
29 Gearmotor, Conveyor	---	02.12.076.00	02.12.077.00	02.12.079.00	02.12.079.00	02.12.079.00
32 Sprocket, Motor •	---	05.09.033.00	05.09.033.00	05.09.033.00	05.09.033.00	05.09.033.00

• TQ-800 Models only: 208 V and 240 V Canadian units use P/N 05.09.025.00.

## PARTS SPECIFIC TO MODEL TQ-800HBA

Item Description	120V	208V	240V	200V	220-230V (CE)	230-240V (CE)
29 Gearmotor, Conveyor	---	02.12.076.00	02.12.077.00	02.12.079.00	02.12.079.00	02.12.079.00
32 Sprocket, Motor	---	05.09.033.00	05.09.033.00	05.09.025.00	05.09.025.00	05.09.033.00

## PARTS SPECIFIC TO MODEL TQ-800H

Item Description	120V	208V	240V	200V	220-230V (CE)	230-240V (CE)
29 Gearmotor, Conveyor	---	02.12.076.00	02.12.077.00	02.12.079.00	02.12.079.00	02.12.079.00
32 Sprocket, Motor •	---	05.09.025.00	05.09.025.00	05.09.025.00	05.09.025.00	05.09.033.00
33 Sprocket, Conveyor •	---	05.09.029.00	05.09.029.00	05.09.030.00	05.09.030.00	05.09.030.00

• 208 V and 240 V Canadian units use the following P/N's:

Motor Sprocket      05.09.028.00  
 Conveyor Sprocket    05.09.030.00

## PARTS SPECIFIC TO MODEL TQ-805

Item Description	120V	208V	240V	200V	220-230V (CE)	230-240V (CE)
29 Gearmotor, Conveyor	---	---	---	---	02.12.079.00	---

## PARTS SPECIFIC TO MODEL TQ-1200 AND TQ-800BA-DUNKIN

Item Description	120V	208V	240V	200V	220-230V (CE)	230-240V (CE)
29 Gearmotor, Conveyor	---	02.12.076.00	02.12.077.00	---	---	---
32 Sprocket, Motor	---	05.03.033.00	05.03.033.00	---	---	---

*NOTE: The last four digits in a ten digit numerical serial number are the manufacturing date code.*

*Example: Serial number 9625060751 has a date code of "0751" which indicates the following: 0751*

└─ Week Fifty-One  
 └─ Year 2007

*Please note also, prior to January 2001 the serial number date code indicated the month of manufacture.*

*Example: XXXXXX0007*

└─ Month Seven (July)  
 └─ Year 2000

# ADDENDUM

## PARTS SPECIFIC TO MODELS TQ-1800 AND TQ-1800BA

Item Description	120V	208V	240V	200V	220-230V (CE)	230-240V (CE)
29 Gearmotor, Conveyor	---	02.12.076.00	02.12.077.00	---	---	---
32 Sprocket, Motor	---	05.09.033.00	05.09.033.00	---	---	---

## PARTS SPECIFIC TO MODEL TQ-1800H

Item Description	120V	208V	240V	200V	220-230V (CE)	230-240V (CE)
29 Gearmotor, Conveyor	---	02.12.076.00	02.12.077.00	---	---	---
32 Sprocket, Motor	---	05.09.025.00	05.09.025.00	---	---	---
33 Sprocket, Conveyor	---	05.09.029.00	05.09.029.00	---	---	---

## PARTS SPECIFIC TO MODEL TQ-1800HBA

Item Description	120V	208V	240V	200V	220-230V (CE)	230-240V (CE)
29 Gearmotor, Conveyor	---	02.12.076.00	02.12.077.00	---	---	---
32 Sprocket, Motor	---	05.09.033.00	05.09.033.00	---	---	---

NOTE: The last four digits in a ten digit numerical serial number are the manufacturing date code.

Example: Serial number 9625060751 has a date code of "0751" which indicates the following: 0751

└─ Week Fifty-One  
└─ Year 2007

Please note also, prior to January 2001 the serial number date code indicated the month of manufacture.

Example: XXXXXX0007

└─ Month Seven (July)  
└─ Year 2000



# AUTHORIZED PARTS DISTRIBUTORS • AUTORISÉS DISTRIBUTEURS DE PIÈCES

## ALABAMA

Jones McLeod Appl. Svc.  
Birmingham 205-251-0159

## ARIZONA

Service Solutions Group  
Phoenix 602-234-2443

Byassee Equipment Co.  
Phoenix 602-252-0402

## CALIFORNIA

Industrial Electric  
Commercial Parts & Service, Inc.  
Huntington Beach 714-379-7100

Chapman Appl. Service  
San Diego 619-298-7106

P & D Appliance  
Commercial Parts & Service, Inc.  
S. San Francisco 650-635-1900

## COLORADO

Hawkins Commercial Appliance  
Englewood 303-781-5548

## FLORIDA

Whaley Foodservice Repair  
Jacksonville 904-725-7800

3Wire Nass Service Co., Inc.  
Orlando 407-425-2681

B.G.S.I.  
Pompano Beach 954-971-0456

Comm. Appliance Service  
Tampa 813-663-0313

## GEORGIA

TWC Services  
Mableton 770-438-9797

Heritage Service Group  
Norcross 866-388-9837

Southeastern Rest. Svc.  
Norcross 770-446-6177

## HAWAII

Burney's Comm. Service, Inc.  
Honolulu 808-848-1466

Food Equip Parts & Service  
Honolulu 808-847-4871

## ILLINOIS

Parts Town  
Lombard 708-865-7278

Eichenauer Elec. Service  
Decatur 217-429-4229

Midwest Elec. Appl. Service  
Elmhurst 630-279-8000

Cone's Repair Service  
Moline 309-797-5323

## INDIANA

GCS Service  
Indianapolis 317-545-9655

## IOWA

Goodwin Tucker Group  
Des Moines 515-262-9308

## KENTUCKY

Service Solutions Group  
Lexington 859-254-8854

Service Solutions Group  
Louisville 502-451-5411

## LOUISIANA

Chandlers Parts & Service  
Baton Rouge 225-272-6620

## MARYLAND

Electric Motor Service  
Baltimore 410-467-8080

GCS Service  
Silver Spring 301-585-7550

## MASSACHUSETTS

Ace Service Co., Inc.  
Needham 781-449-4220

## MICHIGAN

Bildons Appliance Service  
Detroit 248-478-3320

Commercial Kitchen Service  
Bay City 517-893-4561

Midwest Food Equip. Service  
Grandville 616-261-2000

## MINNESOTA

GCS Service  
Plymouth 800-345-4221

## MISSOURI

General Parts  
Kansas City 816-421-5400

Commercial Kitchen Services  
St. Louis 314-890-0700

Kaemmerlen Parts & Service  
St. Louis 314-535-2222

## NEBRASKA

Anderson Electric  
Omaha 402-341-1414

## NEVADA

Burney's Commercial  
Las Vegas 702-736-0006

Hi. Tech Commercial Service  
N. Las Vegas 702-649-4616

## NEW JERSEY

Jay Hill Repair  
Fairfield 973-575-9145

Service Plus  
Flanders 973-691-6300

## NEW YORK

Acme American Repairs, Inc.  
Brooklyn 718-456-6544

Alpro Service Co.  
Brooklyn 718-386-2515

Appliance Installation  
Buffalo 716-884-7425

Duffy's Equipment Services, Inc.  
Buffalo 800-836-1014

3Wire Northern  
Plattsburgh 800-634-5005

Duffy's Equipment Services, Inc.  
Sauquoit 800-836-1014

J.B. Brady, Inc.  
Syracuse 315-422-9271

## NORTH CAROLINA

Authorized Appliance  
Charlotte 704-377-4501

## OHIO

Akron/Canton Comm. Svc. Inc.  
Akron 330-753-6635

Service Solutions Group  
Cincinnati 513-772-6600

Commercial Parts and Service  
Columbus 614-221-0057

Electrical Appl. Repair Service  
Brooklyn Heights 216-459-8700

E. A. Wichman Co.  
Toledo 419-385-9121

## OKLAHOMA

Hagar Rest. Service, Inc.  
Oklahoma City 405-235-2184

Krueger, Inc.  
Oklahoma City 405-528-8883

## OREGON

Ron's Service, Inc.  
Portland 503-624-0890

## PENNSYLVANIA

Elmer Schultz Services  
Philadelphia 215-627-5401

FAST Comm. Appl. Service  
Philadelphia 215-288-4800

Appliance Installation & Service  
Pittsburgh 412-809-0244

K & D Service Co.  
Harrisburg 717-236-9039

Electric Repair Co.  
Reading 610-376-5444

## RHODE ISLAND

Marshall Electric Co.  
Providence 401-331-1163

## SOUTH CAROLINA

Whaley Foodservice Repair  
W. Columbia 803-791-4420

## TENNESSEE

Camp Electric  
Memphis 901-527-7543

## TEXAS

GCS Service  
Fort Worth 800-433-1804

Armstrong Repair Service  
Houston 713-666-7100

Cooking Equipment Specialist  
Mesquite 888-866-9276

Refrigerated Specialist, Inc.  
Mesquite 888-866-9276

Commercial Kitchen Repair Co.  
San Antonio 210-735-2811

## UTAH

La Monica's Rest. Equip. Service  
Murray 801-263-3221

## VIRGINIA

Daubers  
Norfolk 757-855-4097

Daubers  
Springfield 703-866-3600

## WASHINGTON

3Wire Restaurant Appliance  
Seattle 800-207-3146

## WISCONSIN

A.S.C., Inc.  
Madison 608-246-3160

A.S.C., Inc.  
Milwaukee 414-543-6460

## CANADA

### ALBERTA

Key Food Equipment Service  
Edmonton 780-438-1690

### BRITISH COLUMBIA

Key Food Equipment Service  
Vancouver 604-433-4484

Key Food Equipment Service  
Victoria 250-920-4888

### MANITOBA

Air Rite, Inc.  
Winnipeg 204-895-2300

### NEW BRUNSWICK

EMR Services, Ltd.  
Moncton 506-855-4228

### ONTARIO

R.G. Henderson Ltd.  
Toronto 416-422-5580

Choquette - CKS, Inc.  
Ottawa 613-739-8458

### QUÉBEC

Choquette - CKS, Inc.  
Montreal 514-722-2000

Choquette - CKS, Inc.  
Québec City 418-681-3944

## UNITED KINGDOM

Marren Group  
Northants +44(0)1933 665313

### HATCO CORPORATION

P.O. Box 340500

Milwaukee, WI 53234-0500 U.S.A.

800-558-0607 414-671-6350

Parts and Service Fax 800-690-2966

International Fax 414-671-3976

partsandservice@hatcorp.com

www.hatcorp.com



24 Hour 7 Day Parts and Service  
Assistance available in the United States  
and Canada by calling 800-558-0607.