

## SECTION 5. PARTS INFORMATION & WIRING DIAGRAMS

### 5-1. INTRODUCTION

This section identifies and lists the replaceable parts of the Henny Penny Computron 8000.

### 5-2. GENUINE PARTS

Use only genuine Henny Penny parts in your fryer. Using a part of lesser quality or substitute design may result in fryer damage or personal injury.

### 5-3. HOW TO ORDER

Once the part you want to order has been found in the Parts List, write down the following information:

1. From the Parts List

(Sample)  
Item Number 13  
Part Number 29898  
Description Power Switch

2. From the data plate

(Sample)  
Product Number PFE-500.0  
Serial Number 0001  
Voltage 208V

### 5-4. PRICES

Your distributor has a price parts list and will be glad to inform you of the cost of your parts order.

### 5-5. DELIVERY

Commonly replaced items are stocked by your distributor and will be sent out when your order is received. Other parts will be ordered by your distributor from Henny Penny Corporation. Normally, these will be sent to your distributor within three working days.

### 5-6. WARRANTY

All replacement parts (except lamps and fuses) are covered under warranty for 90 days against manufacturing defects and workmanship. If damage occurs during shipping, notify the carrier at once so that a claim may be properly filed. Refer to warranty on the front of this section for other rights and limitations.

### 5-7. RECOMMENDED SPARE PARTS FOR DISTRIBUTORS

Recommended replacement parts, stocked by your distributor, are indicated with √ in the parts lists. Please use care when ordering recommended parts, because all voltages and variations are marked. Distributors should order parts based upon common voltages and equipment sold in their territory.

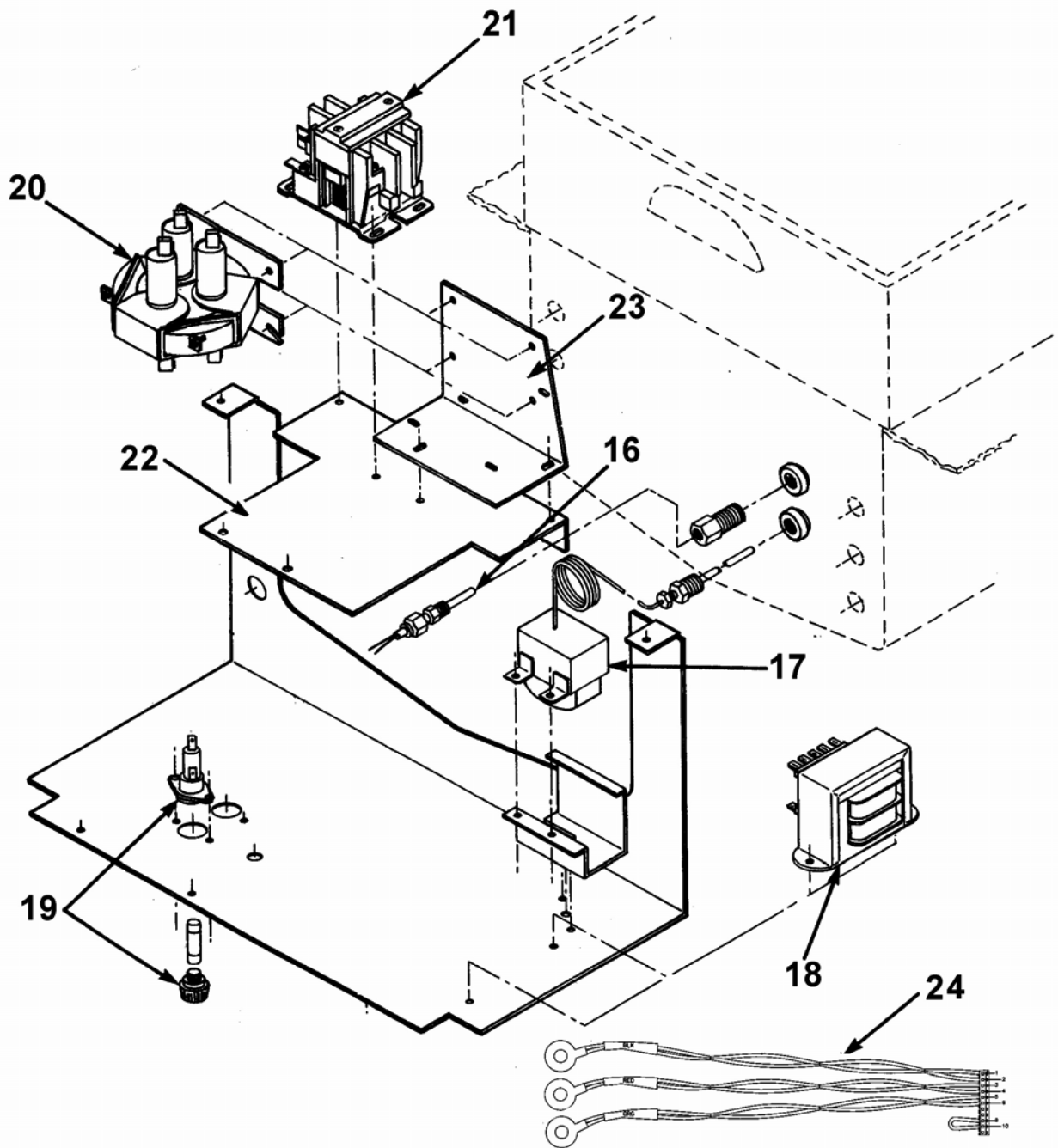


Figure 5-1. Computron 8000-500 – 3 phase Exploded View

Figure & Item Number	Part Number	Description	Qty
Figure 1-1		Control Panel	
11	32633	Card – C8000 Std. Product Menu	1
11	32634	Card – C8000 Blank Menu	1
11	69228	Card – C8000 Campero	1
11	39089	Card – C8000 Jollibee’s	1
11	39156	Card – C8000 Wendy’s/Davco	1
11	68731	Card – C8000 Giant Eagle	1
11	68731	Card – C8000 McDonalds	1
√ 13	29898	Power Switch	1
15	27303	Decal – Control – Bent	1
15	24849	Decal – Control – Flat	1
15	32658	Decal – C8000-02	1
15	39269	Decal – C8000-02 – Wendy’s	1
Figure 5-1		Computron 8000 Exploded View	
√ 16	55167	Assembly – Probe/Compression Fitting – Ele.	1
√ 17	16738	High Limit – 450 degree F.	1
√ 18	29521	Assembly – Transformer - 10/24 VAC	1
√ 19	18364	Assembly – Fuse Holder – 15 amp	2
√ 19	EF02-007	Fuse – 15 amp	2
√ 20	29510	Contactactor – Mercury – 24 VAC	1
√ 20	65073	Contactactor – Square D - 24 VAC - CE	1
√ 21	29509	Contactactor – 24 VAC	1
22	58850	Bracket – Double Contactactor	1
23	66717	Stud Assembly – Contactactor Bracket	1
√ 24	24347	Assembly – Current Sense Transformers	1
√ 25*	26974	Assembly – Speaker	1
26*	29515	Solenoid – 24 Volt – 60 Hz.	1
26*	29698	Solenoid – 24 Volt – 50 Hz.	1
√ 26*	29547	Solenoid Coil – 24 Volt – 50/60 Hz.	1
√ 26*	29575	Coil – Solenoid – 24VAC – 50 Hz	1
27*	63294	Insulation – Fryer Pot – 1/4”	1
27*	63295	Insulation – Fryer Pot – 1/8”	1

√ recommended parts  
 \*not shown

<b>Figure &amp; Item Number</b>	<b>Part Number</b>	<b>Description</b>	<b>Qty</b>
√ 28*	32612RB	Assembly – Control 8000 Flat Panel (SN: KA021JJ to GA085JB-GAS) (SN: KB021JJ to HB013JB-ELEC.)	1
√ 28*	65465RB	Assembly – Control 8000 Flat Panel (SN: GA086JB and above-GAS) (SN: HB014JB and above-ELEC.)	1
√ 28*	32613RB	Assembly – Control 8000 Bent Panel (SN: KA020JJ and below-GAS) (SN: KB020JJ and below-ELEC.)	1
√ 28*	68798RB	Assembly – Control 8000 Bent Panel-Campero (SN: KA020JJ and below-GAS) (SN: KB020JJ and below-ELEC.)	1
√ 28*	68799RB	Assembly – Control 8000 Flat Panel-Campero (SN: KA021JJ to GA085JB-GAS) (SN: KB021JJ to HB013JB-ELEC.)	1
√ 28*	68800RB	Assembly – Control 8000 Flat Panel-Campero (SN: GA086JB and above-GAS) (SN: HB014JB and above-ELEC.)	1
√ 28*	65462RB	Assembly – Control 8000 Bent Panel– Jollibee’s (SN: KA020JJ and below-GAS) (SN: KB020JJ and below-ELEC.)	1
√ 28*	65463RB	Assembly – Control 8000 Flat Panel – Jollibee’s (SN: KA021JJ to GA085JB-GAS) (SN: KB021JJ to HB013JB-ELEC.)	1
√ 28*	65464RB	Assembly – Control 8000 Flat Panel– Jollibee’s (SN: GA086JB and above-GAS) (SN: HB014JB and above-ELEC.)	1
√ 28*	65171RB	Assembly - Control 8000 – Express Foods	1
√ 28*	65193RB	Assembly - Control 8000 – Servequip	1
√ 28*	68409RB	Assy - Control 8000 - 600 – Wendy’s w/SSI/FPS (SN: GA086JB and above-GAS)	1
√ 28*	68683RB	Assy-Control 8000 Bent Panel– Wendy’s w/SSI/FPS	1
√ 28*	70001RB	Assembly - Control 8000-’02-GM w/FPS	1
√ 28*	39307RB	Assembly - Control 8000-’02 – Giant Eagle	1
√ 28*	65097RB	PC Board Only – Wendy’s/Davco	1
√ 28*	14756	Assembly – Control 8000 – McDonalds	1

√ recommended parts  
\*not shown

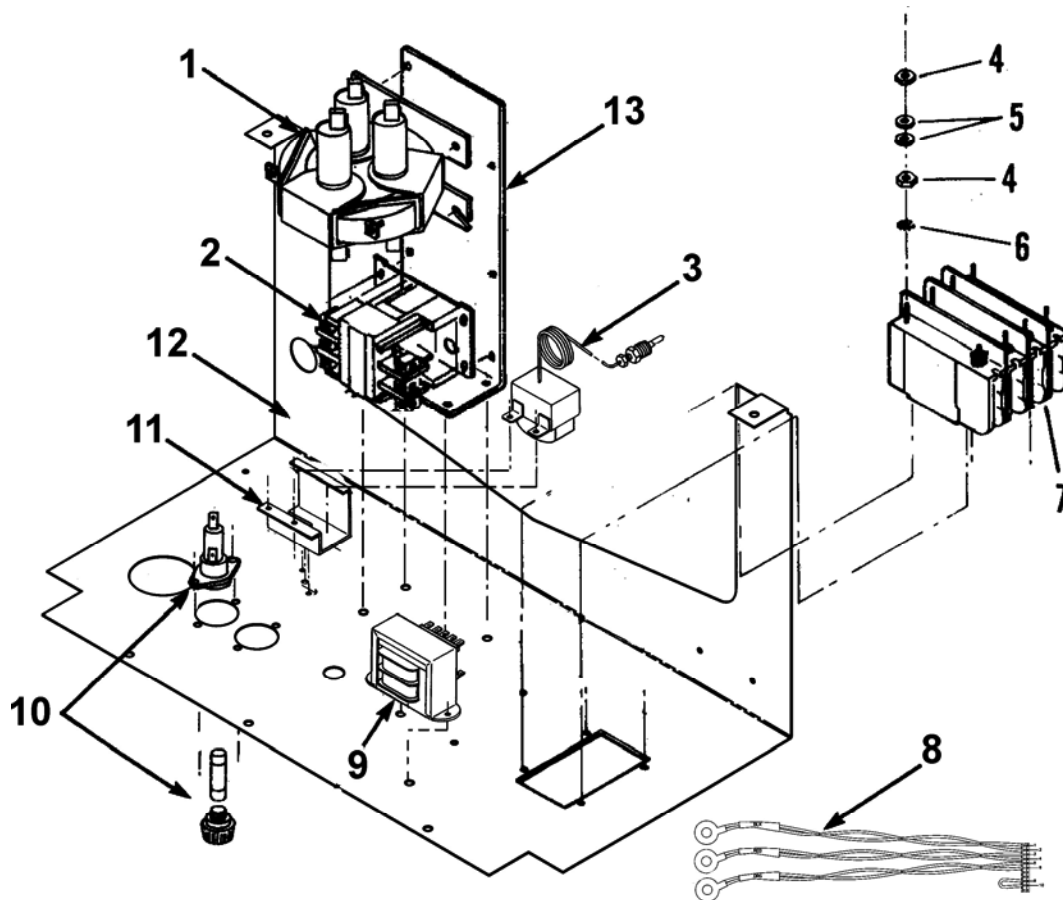


Figure 5-2. Computron 8000 - 500 - 1 phase Exploded View

Item Number	Part Number	Description	Qty
√ 1	29510	CONTACTOR, Mercury - 24 VAC	1
√ 1	65073	CONTACTOR - Square D - 24 VAC - CE	1
√ 2	29509	CONTACTOR - 24 Volt	1
√ 3	16738	CONTROL, High Limit Temperature	1
4	NS01-014	NUT, Hex	16
5	WA01-007	WASHER	16
6	LW02-005	LOCKWASHER	8
7	18242	BREAKER, CIRCUIT 50 amp	1
8	24347	ASSY, Current Sense Xformers	1
√ 9	29521	ASSY, Transformer - 10/24 VAC	1
√ 10	18364	ASSY, Fuse Holder - 15 amp	2
√ 10	EF02-007	FUSE, 15 amp	2
√ 10	EF02-006	HOLDER, Fuse	2
11	17216	ASSY, Bracket - High Limit	1
12	18244	SHROUD, Single Phase (KB020JJ & below)	1
12	63226	SHROUD, Single Phase (KB021JJ to HB013JB)	1
12	27418	SHROUD, Single Phase (HB014JB & above)	1
13	29687	BRACKET, Double Contactor	1

√ recommended parts

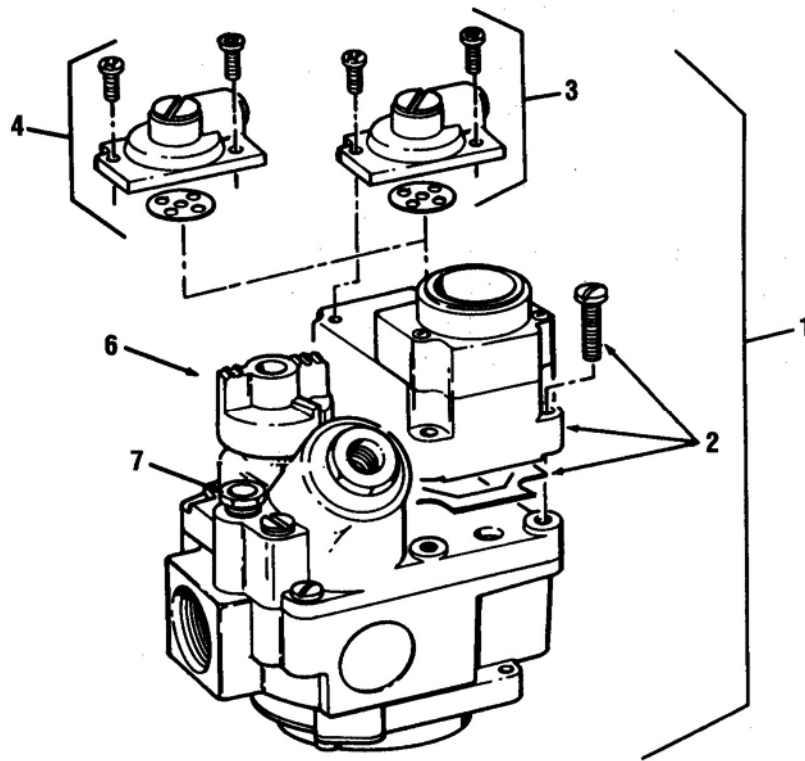


Figure 5-3. Computron 8000 - 600 – Gas Control Valve

ITEM NO.	PART NUMBER	DESCRIPTION	PER ASSY
√ 1a	58863	VALVE, Control, Natural Gas, 24 Volt - SN: KA021JJ & Above	1
√ 1a	16216	VALVE, Control, Natural Gas, 120 Volt	1
√ 1b	64036	VALVE, Control, Propane Gas, 24 Volt - SN: KA021JJ & Above	1
√ 1b	16217	VALVE, Control, Propane Gas, 120 Volt	1
√ 1a	16380	VALVE, Control, Natural Gas, 208-240 Volt	1
√ 1b	16381	VALVE, Control, Propane Gas, 208-240 Volt	1
√ 1a	29614	VALVE, Control, Natural Gas, 24 Volt-SN: KA020JJ & below	1
√ 1b	29728	VALVE, Control, Propane Gas, 24 Volt-SN: KA020JJ & below	1
√ 2	16254	OPERATOR, Gas Control Valve, 120 Volt, Natural	1
√ 2	16710	OPERATOR, Gas Control Valve, 208-240 Volt, Natural	1
√ 2	16386	OPERATOR, Gas Control Valve, 120 Volt, Propane	1
√ 2	16384	OPERATOR, Gas Control Valve, 208-240 Volt, Propane	1
√ 3	16253	REGULATOR, Gas Control Valve, Natural Gas	1
√ 4	16352	REGULATOR, Gas Control Valve, Propane Gas	1
√ 6	16267	KNOB, Gas Control Valve	1
√ 7	16373	FITTING, Compression - Pilot Tube	2

√ recommended parts

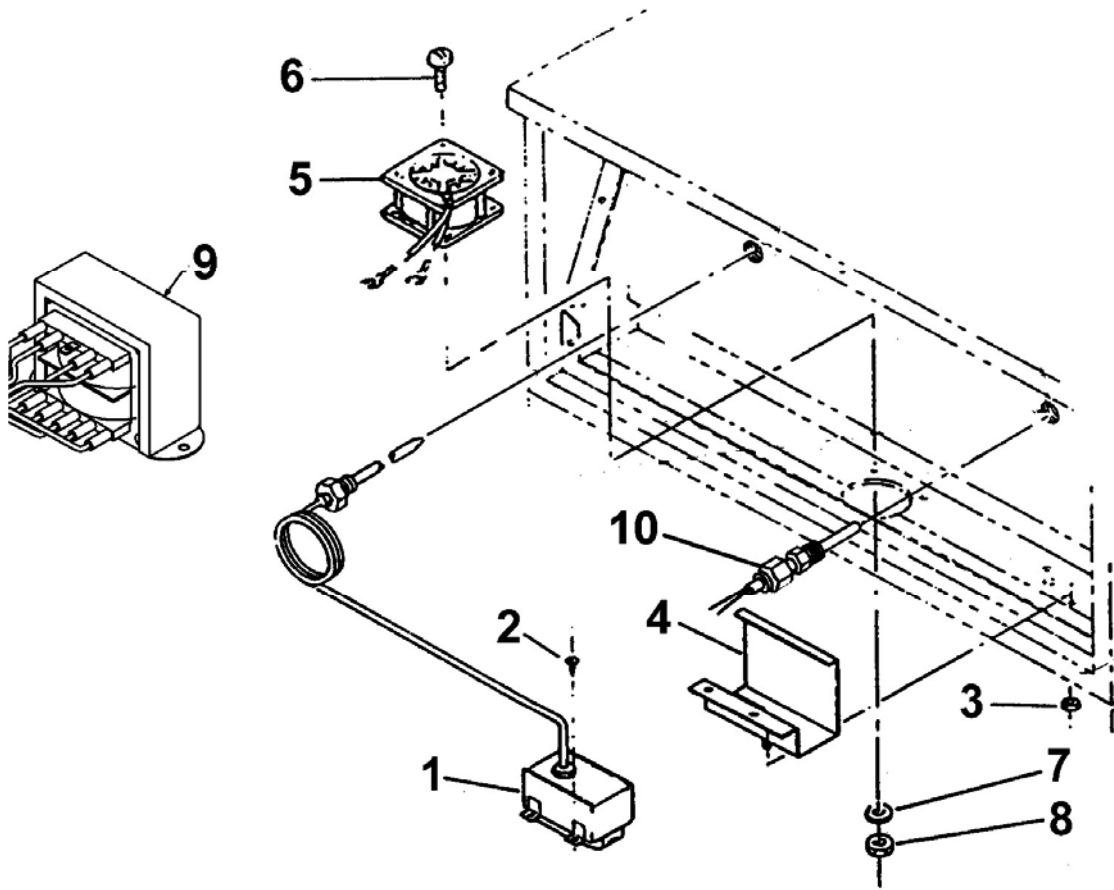


Figure 5-3. Computron 8000 - 600 – Gas Components

ITEM NO.	PART NUMBER	DESCRIPTION	PER ASSY
√ 1	16738	CONTROL, High Temperature Limit	1
2	SC02-018	SCREW, Thread Forming #8	2
3	NS02-001	NUT, #10-32 Hex Keys	2
4	17216	BRACKET ASSY, High Limit Thermostat	1
√ 5	16684	FAN, 120 Volt (where applicable)	1
6	SC01-010	SCREW, Fan	4
7	WA01-006	WASHER, Fan	4
8	NS02-005	NUT, Fan	4
√ 9	29521	ASSY, TRANSFORMER - 10/24 VAC	1
√ 10	14331	KIT, Temperature Probe	1
11*	36097	PROBE GUARD	1

√ recommended parts  
\*not shown