

SECTION 4. PARTS INFORMATION

4-1. INTRODUCTION

This section identifies and lists the replaceable parts of the Henny Penny display.

4-2. GENUINE PARTS

Use only genuine Henny Penny parts in your cabinet. Using a part of lesser quality or substitute design may result in cabinet damage or personal injury.

4-3. HOW TO ORDER

Once the part you want to order has been found in the Parts List, write down the following information:

1. From the Parts List
(Sample)

Item Number 8
Part Number EF02-105
Description Fuse

2. From the data plate
(Sample)

Product Number HDS320.0
Serial Number JG05060102
Voltage 120/240V

4-4. PRICES

Your independent Henny Penny distributor has a price parts list and will be glad to inform you of the cost of your parts order.

4-5. DELIVERY

Commonly replaced items are stocked by your independent Henny Penny distributor and will be sent out when your order is received. Other parts will be ordered by the distributor from Henny Penny Corporation. Normally, these will be sent to your distributor within three working days.

4-6. WARRANTY

All replacement parts (except lamps and fuses) are covered under warranty for 90 days against manufacturing defects and workmanship. If damage occurs during shipping, notify the carrier at once so that a claim may be properly filed. Refer to warranty on the front of this section for other rights and limitations.

4-7. RECOMMENDED SPARE PARTS FOR DISTRIBUTORS

Recommended replacement parts, stocked by your distributor, are indicated with √ in the parts lists. Please use care when ordering recommended parts, because all voltages and variations are marked. Distributors should order parts based upon common voltages and equipment sold in their territory.

| Figure & Item No. | Part No. | Description | Quantity |
|-------------------|----------|--|----------|
| 4-1 | | Customer Side Parts | |
| 1 | 71317 | Weld Assy - Small Envelope Dispenser | 2 |
| 2 | 70985 | Stud Assy - Tongs Hanger | 8 |
| 3 | 71425 | Hanger - T-Shirt Bag | 2 |
| 4 | 70663 | Bin - 6 inch Tall HDS Storage | 2 |
| √ 5 | 71219 | Divider - Removable Shelf | 25 |
| 6 | 70447 | Wall - HDS310 - Middle | 1 |
| 7 | 71216 | Shelf - Removable Table | 2 |
| 8 | 26120 | Foot - Adjustable | 4 |
| 9 | 70043 | Valve - 1 inch NPT SS Ball | 1 |
| 10 | 03545 | Support - MP941 Cabinet (Optional) | 1 |
| 11 | 70664 | Bin - 5 inch Tall HDS Storage | 2 |
| 12 | 03544 | Extension Table | 1 |
| 13 | 70751 | Stud Assy - Clip Card Holder | 6 |
| √ 14 | 69782 | Support - Hot Well Pan | 2 |
| 15a | 69567 | Gasket - Vertical HDs | 2 |
| 15b | 69568 | Gasket - Horizontal HDS | 1 |
| 16 | 72402 | Banner - Camperitos | 1 |
| 17 | 72401 | Banner - Wings | 1 |
| 18 | 72400 | Banner - Nuggets | 1 |
| 19 | 72399 | Banner - Tender, Juicy, Crunchy | 1 |
| 20 | 70928 | Weld Assy - Flanged Wireway (Optional) | 1 |
| 21 | 03546 | Board - Magnetic HDPE Cutting (Optioinal) | 2 |
| 22 | 71397 | Board - Countertop Extension | 2 |
| 23 | MS01-531 | Magnet - Encased Ceramic Cup | 3 |
| 24 | SC02-023 | Screw - #8-B X 3/8 PH Pan S | 3 |
| 25 | 73798 | Weld Assy - 5 in. Table Extension (Optional) | 2 |
| 26 | PL01-036 | Plug Button - 9/32" | 12 |

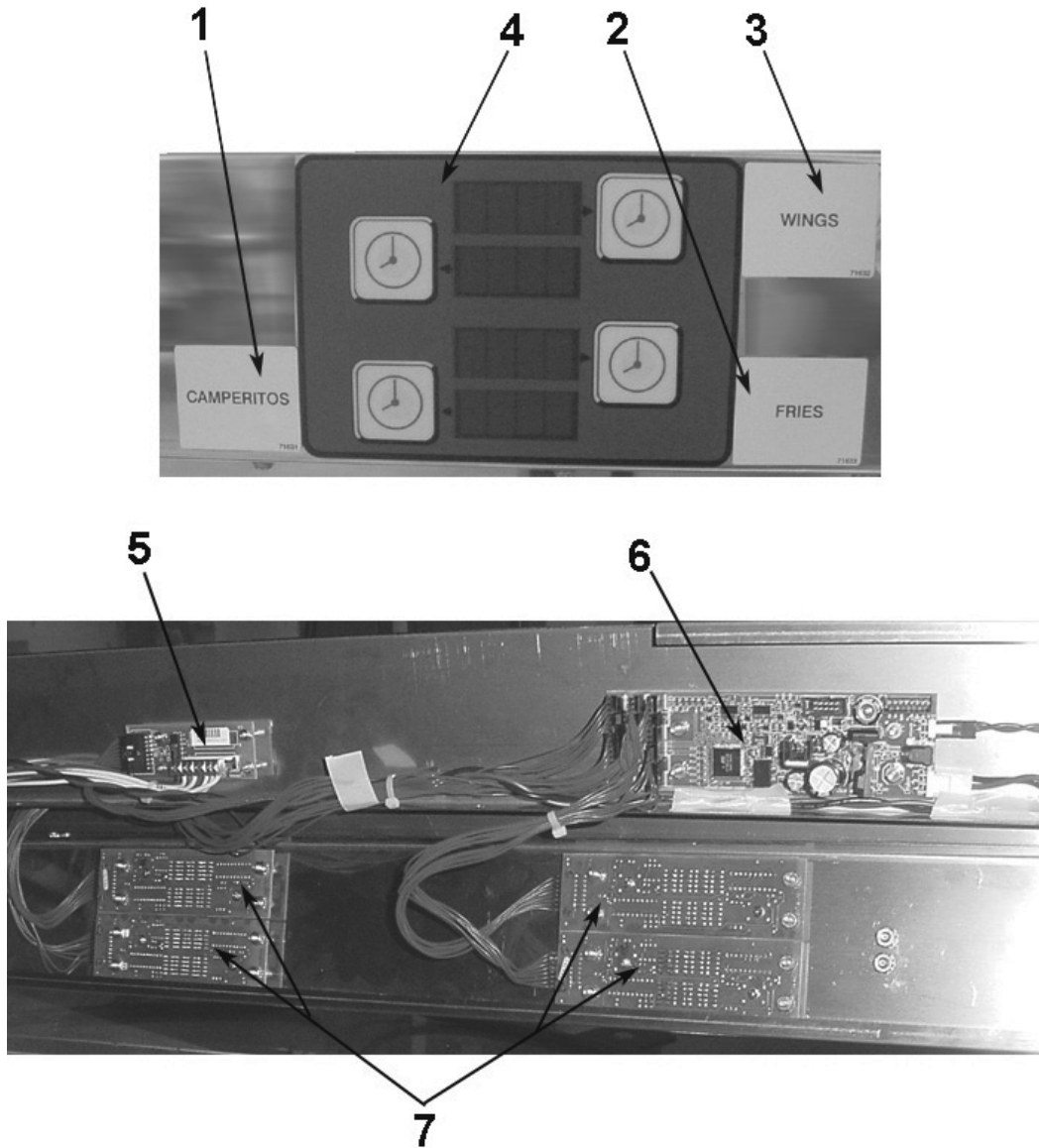


Figure 4-2. Control Parts

| Figure & Item No. | Part No. | Description | Quantity |
|------------------------------|-----------------|---------------------------------------|-----------------|
| 4-2 | | Control Parts | |
| √ 1 | 71631 | Label - Camperitos - Magnet | 2 |
| √ 2 | 71633 | Label - Fries - Magnet | 2 |
| √ 3 | 71632 | Label - Wings - Magnet | 2 |
| 4 | 71759 | Decal - Campero 4 Button - Blank | 2 |
| √ 5 | 71620 | PCB - 8-Output - 5V Only | 1 |
| √ 6 | 70866 | Control - HDS - CPU - PCB | 1 |
| √ 7 | 65022 | Assy - 2-Timer Touch Switch - Display | 4 |

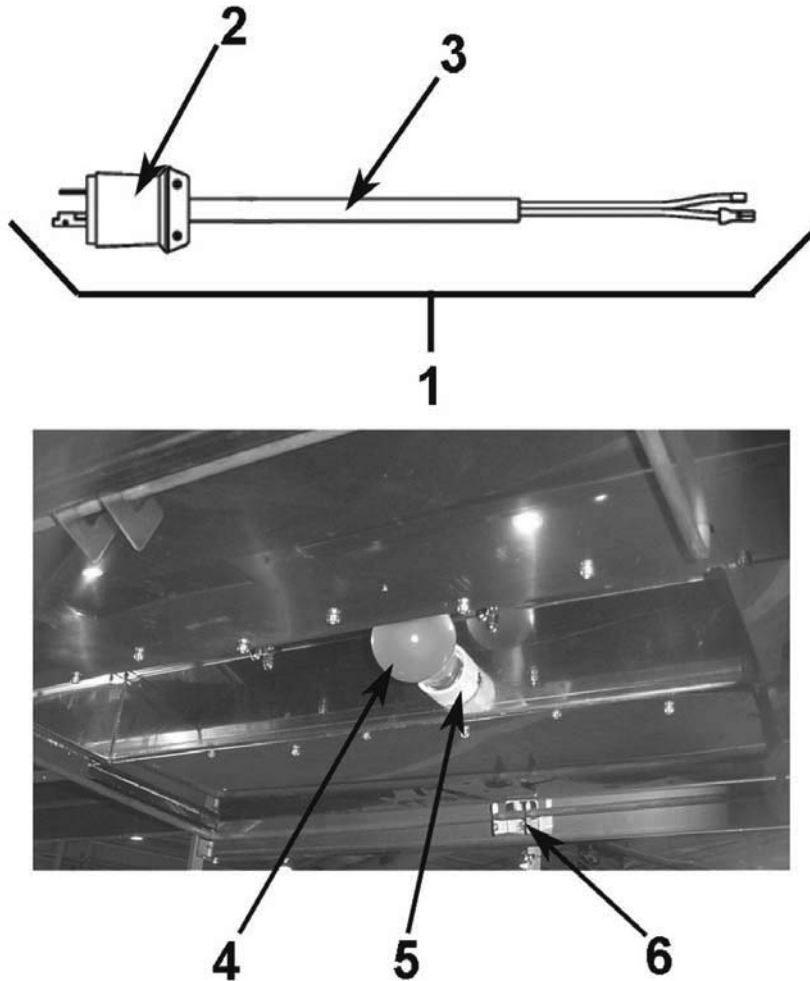


Figure 4-3. Ceiling and Power Cord Parts

| Figure & Item No. | Part No. | Description | Quantity |
|-------------------|-----------|--|----------|
| 4-3 | | Ceiling and Power Cord Parts | |
| 1 | 71002 | Assy - 208/240V/15A - Power Cord (Hot Well) | 1 |
| 2 | 71020 | Plug - Angled - 250V-15A - NEMA - 6-15P | 1 |
| 3 | MS01-175 | Cable - #14/3 Black Jacket | 1 |
| 1 | 71841-001 | Assy - 208/30A/3PH Cord & Plug (103 in. - bottom exit) | 1 |
| 1 | 71841-002 | Assy - 208/30A/3PH Cord & Plug (127 in. - top exit) | 1 |
| 2 | 55802 | Plug - 120/208V - 5 Wire 3PH-30A - NEMA-L21-30P | 1 |
| 3 | MS01-440 | Cable - #10/3 Black Jacket | 1 |
| √4 | BL01-018 | Lamp - 90W-130V - Halogen Dbl. Jacket | 5 |
| √4 | BL01-015 | Lamp - 60W-240V - GLS Teflon Coated - CE | 5 |
| √5 | 39795 | Lamp Holder - Ceramic | 5 |
| √5 | 54041 | Lamp Holder - Porcelain - CE | 5 |
| 6 | 71609 | Hanger - Dump Station Heater | 3 |
| 6 | 69116 | Hanger - Radiant Heater | 4 |

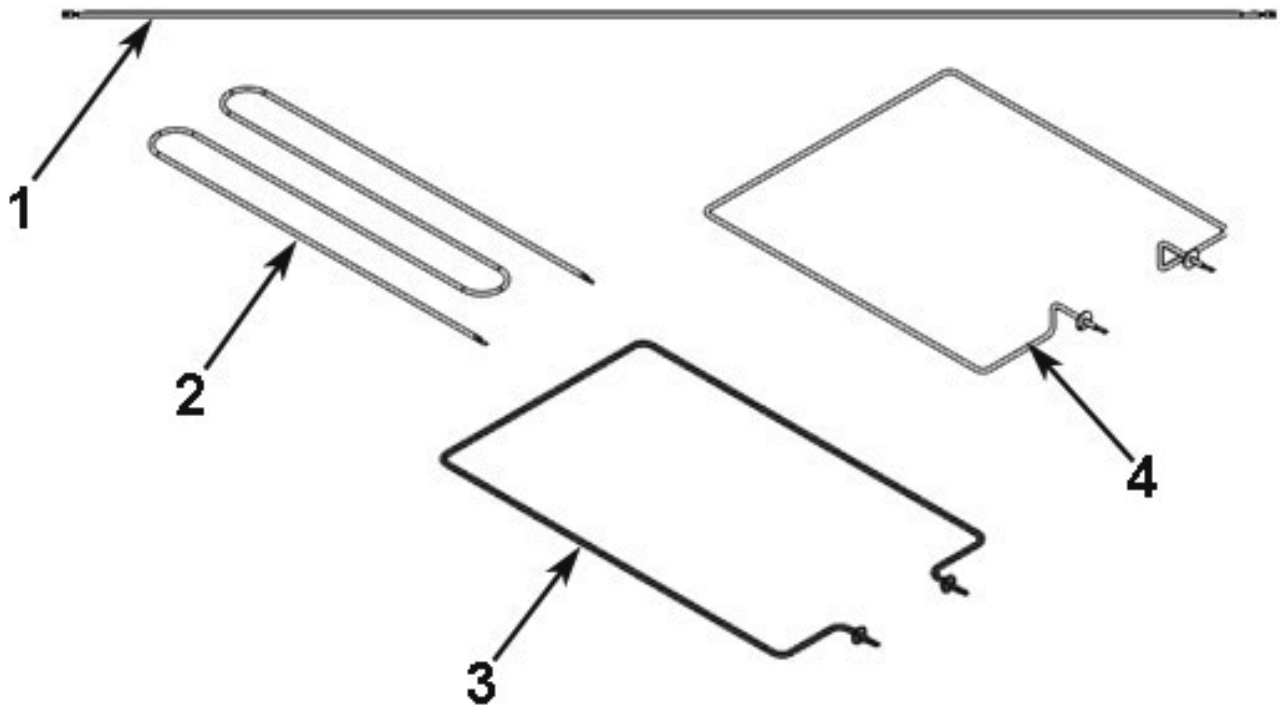


Figure 4-4. Heaters

| Figure & Item No. | Part No. | Description | Quantity |
|-------------------|----------|---|----------|
| 4-4 | | Heaters | |
| √ 1 | 69078-01 | Heater - 240V - 2000W - Radiant | 1 |
| √ 1 | 69078-03 | Heater - 240V - 1600W - Radiant | 1 |
| √ 2 | 69870 | Heater - 240V - 1000W - Water Pan | 1 |
| √ 3 | 69398-01 | Heater - 240V - 750W - Shelf | 1 |
| √ 4 | 69401-01 | Heater - 240V - 1600W - FF Dump Station | 1 |

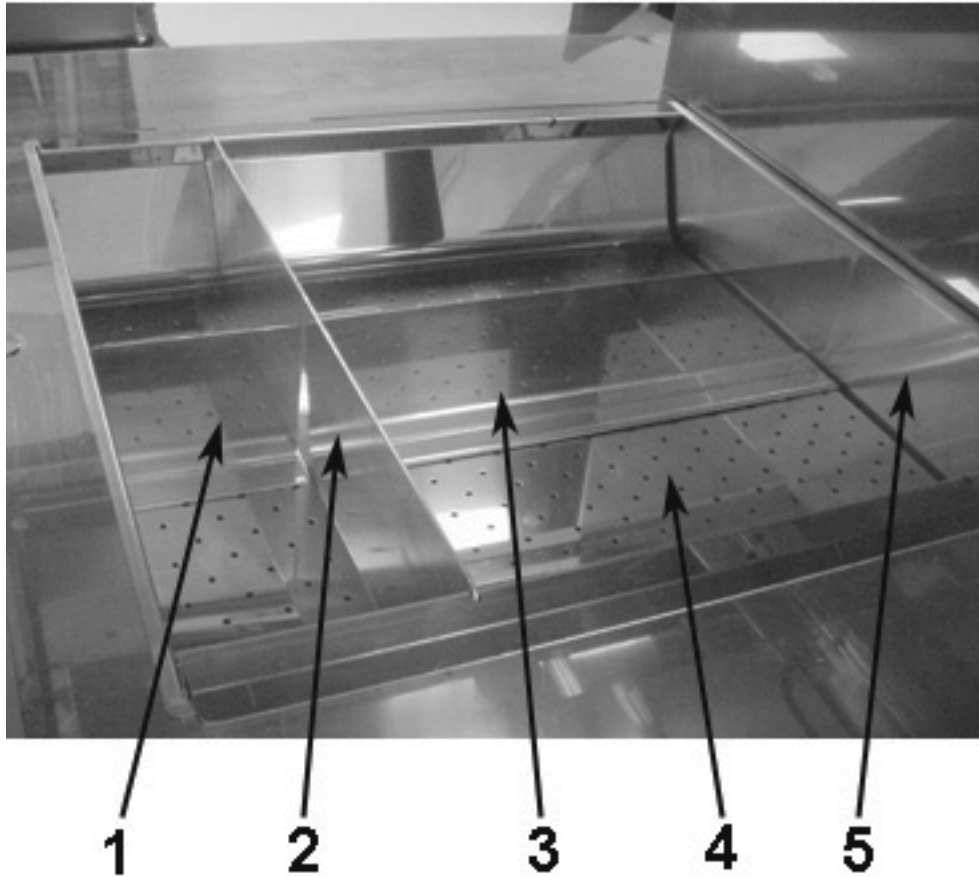


Figure 4-5. French-Fry Dump Tray Parts

| Figure & Item No. | Part No. | Description | Quantity |
|-------------------|----------|--------------------------------|----------|
| 4-5 | | French-Fry Bin Parts | |
| √ 1 | 71140 | Stud Assy - Short Tray Divider | 1 |
| √ 2 | 69498 | Divider - Dump Tray | 1 |
| √ 3 | 71141 | Stud Assy - Long Tray Divider | 1 |
| 4 | 69433 | Tray - Perforated Dump | 1 |
| 5 | 69426 | Liner - Dump Tray - Removable | 1 |

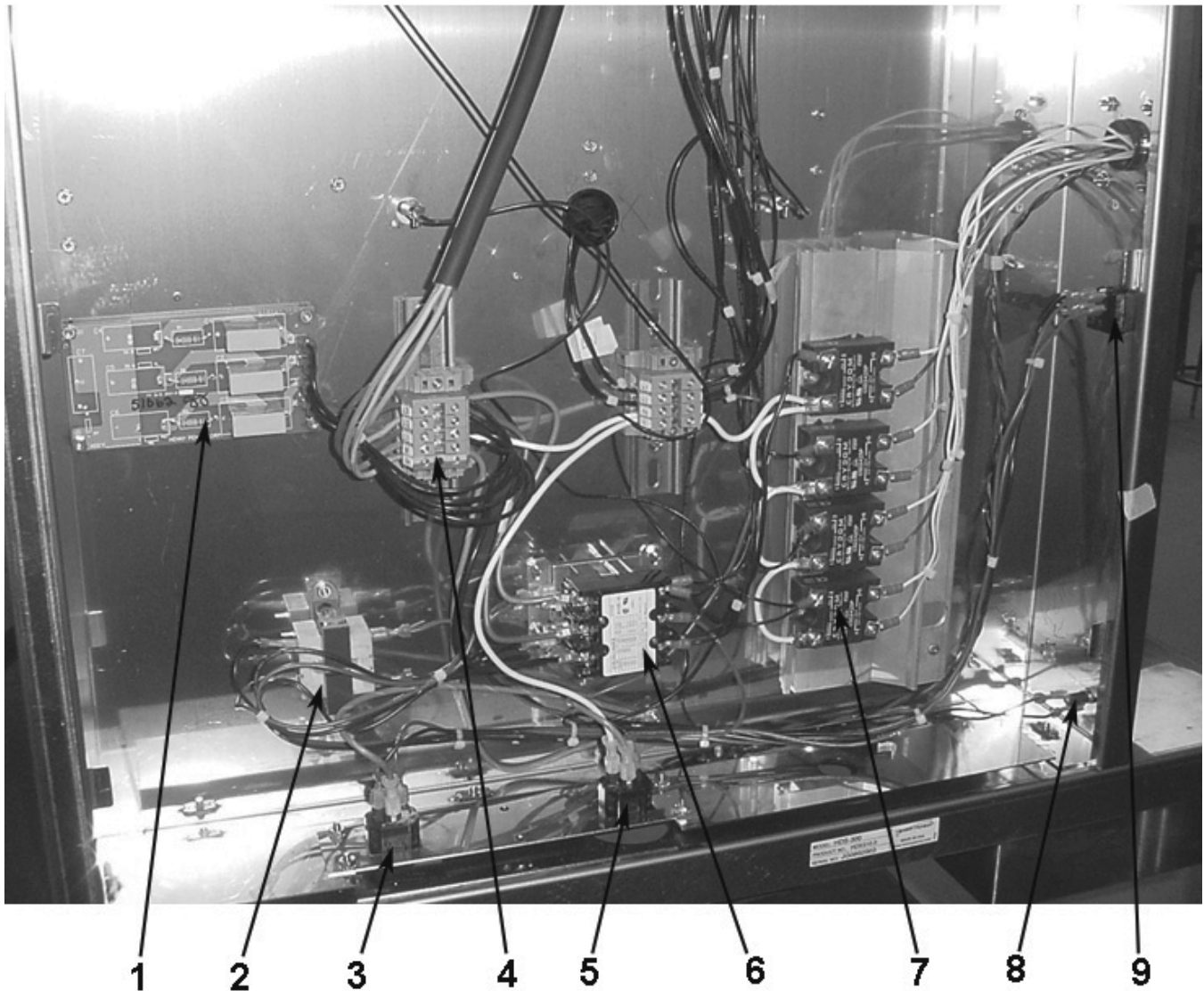


Figure 4-6. Power Supply Components

| Figure & Item No. | Part No. | Description | Quantity |
|------------------------------|-----------------|---------------------------------------|-----------------|
| 4-6 | | Power Supply Components | |
| 1 | 51062 | Board - EMC Filter - CE | 1 |
| √ 2 | 28979 | Transformer - 208/240VP - 12VS | 1 |
| √ 3 | 36811 | Receptacle - 15A-250V (Hot Well) | 1 |
| 4 | 71752 | Assy - 4-Pole Terminal Block (non-CE) | 1 |
| √ 5 | MS01-197 | Receptacle - NEMA 5-15R (Cold Well) | 1 |
| √ 6 | 19405 | Contactora - 208-240VAC Coil | 1 |
| √ 7 | 40645 | Relay - 25A Solid State | 4 |
| √ 8 | EF02-104 | Fuse - 20 Amp | 2 |
| √ 8 | EF02-105 | Fuse - 15 Amp | 2 |
| √ 9 | 72277 | Switch - Power DPST 125-250V | 1 |

√ recommended parts

