

SECTION 3. PARTS INFORMATION

3-1. INTRODUCTION

This section lists and illustrates the replaceable parts of Henny Penny Model 500, 561 and 600 pressure fryers built after November 6, 2000. If your unit was built prior to that date, some differences may exist. If you have any doubts, please contact your distributor. As with all contacts to your distributor, include the model number and serial number from the nameplate on your unit.

3-2. GENUINE PARTS

Use only genuine Henny Penny parts in your fryer. Using a part of lesser quality or substitute design may result in fryer damage or personal injury.

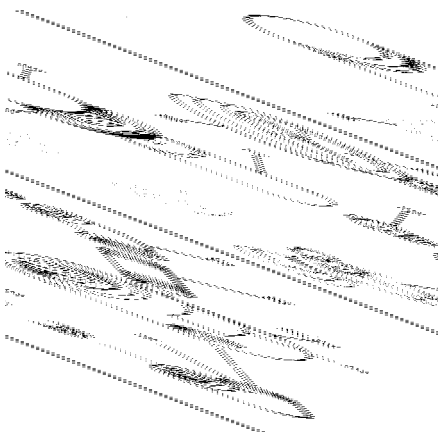
3-3. MODEL VARIATIONS

This section covers model variations due to options, different applications (gas or electric), and to cover the latest design improvements. When you order replacement parts, be sure to check for model variations as stated in the figure title and in the DESCRIPTION column of the parts list.

3-4. HOW TO FIND PARTS

To find the items you want to order, proceed as follows:

1. Use the index of illustrations, paragraph 3-11, to find the page number of the proper illustration.
2. Referring to the illustration, find the part desired and its item number.



(SAMPLE)

FIGURE & ITEM NO.	PART NUMBER	DESCRIPTION	UNITS PER ASSY
3-3		DEADWEIGHT VALVE ASSEMBLY	
1	16924	VALVE ASSEMBLY, Deadweight	1
2	56305	BODY, Deadweight Valve	1
3	16912	DECAL, DEADWEIGHT VALVE	1
4	FP91-127	1/2 x 1/2 90 Degree Street L	1
5	59742	VALVE ASSEMBLY, Relief	1
6	16918	DEADWEIGHT ORIFICE	1
7	16903	DEADWEIGHT	1
8	16902	RING, Cup	1
9	56307	CAP, Deadweight Valve	1
10	16910	GAUGE, Pressure	1
11	16914	GLASS, Pressure Gauge	1
12	16909	ELBOW	1
13	56636	NIPPLE	1

(SAMPLE)

3-5. SUBASSEMBLIES

In some cases, items in the parts list can be purchased in groups (called subassemblies) instead of purchasing individual parts. The parts list shows these subassemblies by indenting the description of the parts included within the subassembly. For example:

TIMER, Automatic Reset
SWITCH, Timer
LIGHT, Timer Indicator
COIL, Timer Buzzer

The items can be ordered separately (switch, light, or coil), or order the timer, and all three parts are included.

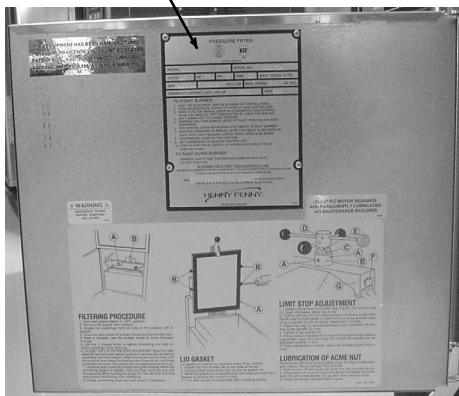
3-6. HOW TO ORDER PARTS

Once you have found the parts to be ordered, write down the following information:

1. From the parts list: (SAMPLE)

Figure number	<u>3-3</u>
Item number	<u>6</u>
Part number	<u>16918</u>
Description	<u>DEADWEIGHT ORIFICE</u>
Page number	<u>3-11</u>
Page date code	<u>401</u>

DATA PLATE



2. From the data plate on your unit: (SAMPLE)

Model number 500
Serial number 10133

3. The following table has been provided as a sample format for you to use in preparing your spare parts orders. By providing all the entries, your distributor will be able to send you the correct parts. Also, prepayment expedites your order.

From Parts List					Your Order		
Figure & Item No.	Part Number	Description	Page No.	Page Code	Quantity Ordered	Price Each	Total Price
(SAMPLE)							
3-1-16	16706	KNOB, Thermostat	3-7	1001	2	2.00	4.00
3-2-47	16102	KNOB, Spindle, Red	3-9	401	1	2.00	2.00
MODEL NO. <u>500</u> SERIAL NO. <u>10133</u>					TOTAL ORDER		6.00

3-7. PRICES

Your distributor has a priced parts list and will be glad to inform you of the cost of your parts order.

3-8. DELIVERY

Commonly replaced items are stocked by your distributor and are shipped when your order is received. Other parts are ordered, by your distributor, from Henny Penny Corporation. Normally, these are sent to your distributor within 3 working days.

3-9. WARRANTY

All replacement parts (except lamps and fuses) are warranted for 90 days against manufacturing defects and workmanship. If damage occurs during shipping, notify the sender and the carrier at once, so that a claim is properly filed. Refer to warranty in the front of this manual for other rights and limitations.

3-10. RECOMMENDED SPARE PARTS FOR DISTRIBUTORS

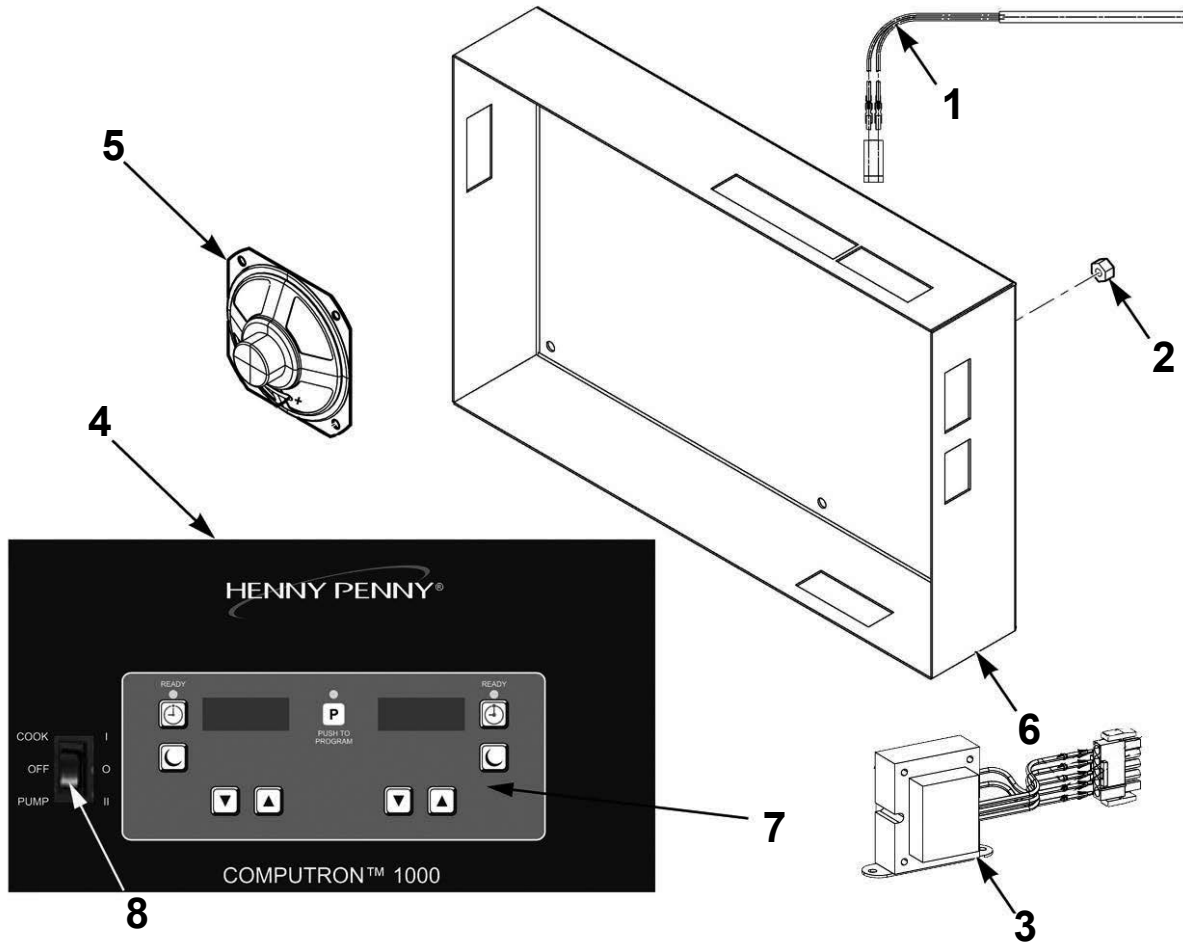
Recommended replacement parts, stocked by your distributor, are indicated with √ in the parts lists. Please use care when ordering recommended parts, because all voltages and variations are marked. Distributors should order parts based upon common voltages and equipment sold in their territory.

3-11. INDEX OF PARTS LIST ILLUSTRATIONS

Title	Fig. No.	Page No.
AUTOMATIC RESET TIMER ASSEMBLY	3-5	3-13
COMPUTRON C1000 CONTROL	3-1	3-6
COMPUTRON C2000 CONTROL	3-2	3-7
CONTACTOR and FRAME ASSEMBLY (Single Phase Electric Model)	3-25	3-56
CONTACTOR and FRAME ASSEMBLY (Three Phase Electric Model)	3-26	3-58
COUNTERTOP INSULATION ASSEMBLY (Gas Model).....	3-33	3-72
DEADWEIGHT VALVE ASSEMBLY.....	3-13	3-31
DIRECT-CONNECT ASSEMBLY - MODEL 500	3-20	3-48
DIRECT-CONNECT ASSEMBLY - MODEL 600	3-21	3-49
DRAIN VALVE ASSEMBLY (Electric Model)	3-15	3-35
DRAIN VALVE ASSEMBLY (Gas Model)	3-16	3-38
ELECTRIC CONDUIT ASSEMBLY	3-6	3-15
ELECTRONIC IGNITION ASSEMBLY	3-29	3-64
EXHAUST STACK ASSEMBLY.....	3-12	3-27
FAN and HIGH TEMPERATURE LIMIT CONTROL (Gas Model)	3-28	3-62
FAST CONTROL PANEL	3-3	3-8
FILTER DRAIN PAN and FILTER SCREEN ASSEMBLY	3-22	3-50
FILTER MOTOR and PUMP	3-19	3-46
FIREBOX and FLUE ASSEMBLY (Gas Model).....	3-34	3-74

3-11. INDEX OF PARTS LIST ILLUSTRATIONS (continued)

Title	Fig. No.	Page No.
FIREBOX INSULATION ASSEMBLY (Gas Model).....	3-35	3-76
FRAME and CABINET ASSEMBLY	3-7	3-17
FRY BASKET (Gas or Electric Model).....	3-9	3-23
FRYPOT and GAS BURNER ASSY - NON-CE, DOMESTIC, & ELECTRONIC IGNITION	3-30	3-66
GAS CONTROL VALVE	3-32	3-70
GAS LINE and BURNER ASSEMBLY - CE, INT'L, and ELECTRONIC IGNITION.....	3-31	3-68
HEATING ELEMENT and HIGH LIMIT ASSEMBLY (Electric Model).....	3-27	3-60
LID ASSEMBLY	3-8	3-21
LOWER FILTER PLUMBING COMPONENTS (Gas or Electric Model).....	3-17	3-40
SOLENOID VALVE ASSEMBLY (Gas or Electric Model)	3-14	3-33
STANDARD CONTROL PANEL.....	3-4	3-10
SUPERSORB FILTER ASSEMBLY - Before 3-1-02	3-23	3-53
SUPERSORB FILTER ASSEMBLY - 3-1-02 & After.....	3-24	3-55
UPPER FILTER PLUMBING COMPONENTS.....	3-18	3-43
3 TIER WIRE BASKET (Gas Model).....	3-10	3-25
4 TIER WIRE BASKET (Electric Model).....	3-11	3-26



**Figure &
Item No.**
3-1

Item No.	Part No.	Description	Qty.
		COMPUTRON C1000 CONTROL	
	14952	KIT - 500/561 E/M TO C1000 RETROFIT	1
	14953	KIT - 600 E/M TO C1000 RETROFIT	1
	14956	KIT - 600 E/M TO C1000 RETROFIT-CANADA	1
	14957	KIT - 500/561 E/M TO C1000 RETROFIT-CANADA.....	1
	14406	KIT-600-EM 120V TO LVC C8000BP.....	1
	140013	KIT - C1000 120V 600SSI TO C8000.....	1
	140014	KIT - C1000 240V 600SSI TO C8000.....	1
√ 1	14993	KIT - PROBE - 6 INCH (GAS)	1
√ 1	14992	KIT - PROBE - 3 INCH (ELEC)	1
2	NS02-005	NUT - HEX KEPS - #6-32 C	11
√ 3	60536	ASSY - TRANSFORMER - 24V/230V.....	1
√ 3	60207	ASSY - TRANSFORMER - 24V/120V.....	1
√ 4	14954	ASSY - CONTROL - C1000.....	1
√ 4	14955	ASSY - CONTROL - C1000 - CANADA	1
√ 5	ME70-005	SPEAKER - 16 OHM - 2 INCH	1
6	78269	COVER - PCB.....	1
7	80275	DECAL - C1000 - CONTROL - GM.....	1
√ 8	29898	SWITCH - POWER	1
9*	53669	GUARD-POWER SWITCH	1

√ Recommended Parts / * not shown -- Starting SNs: Gas - AN0807053 and Electric - AA0807051

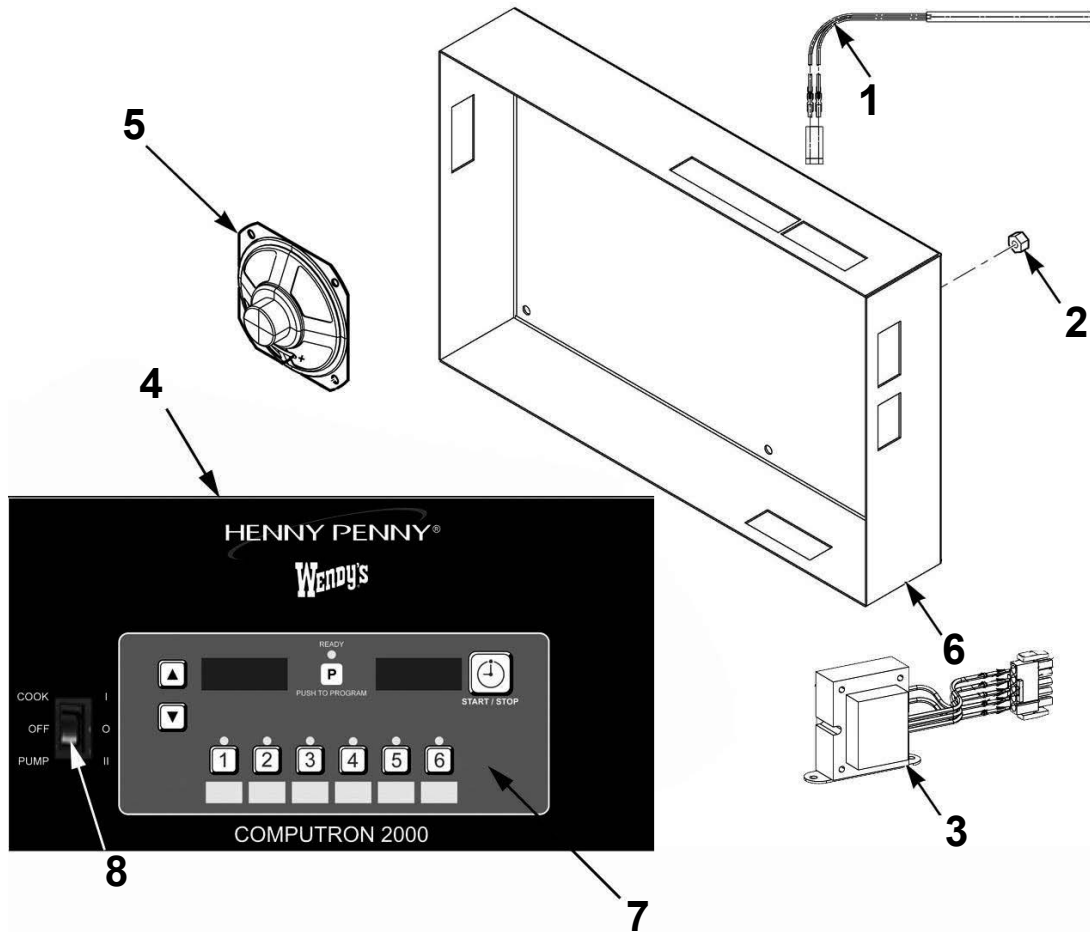


Figure & Item No.
3-2

Item No.	Part No.	Description	Qty.
		COMPUTRON C2000 CONTROL	
	14896	KIT-500/600 E/M to C2000 WENDY'S RETROFIT.....	1
	14934	KIT-500/600 E/M to C2000 WENDY'S RETRO-CAN....	1
√ 1	14993	ASSY - PROBE - 6 INCH (GAS).....	1
√ 1	14992	ASSY - PROBE - 3 INCH (ELEC).....	1
2	NS02-005	NUT - HEX KEPS - #6-32 C.....	11
√ 3	60536	ASSY - TRANSFORMER - 24V/230V.....	1
√ 3	60207	ASSY - TRANSFORMER - 24V/120V.....	1
√ 4	14958	CONTROL - 500/600 C2000 WENDY'S FRYER.....	1
√ 4	14959	CONTROL-500/600 C2000 WENDY'S-CANADA....	1
√ 5	ME70-005	SPEAKER - 16 OHM - 2 INCH.....	1
6	78269	COVER - PCB.....	1
7	72123	DECAL - C2000 - WENDY'S	1
7	78962	DECAL - C2000 - WENDY'S - FRENCH	1
√ 8	29898	SWITCH - POWER.....	1
9*	53669	GUARD - POWER SWITCH	1
√ 10*	75820	MENU CARD - WENDY'S - C2000.....	1

√ Recommended Parts / * not shown -- **Starting SNs: Gas - AN0801038 and Electric - AA0802059**

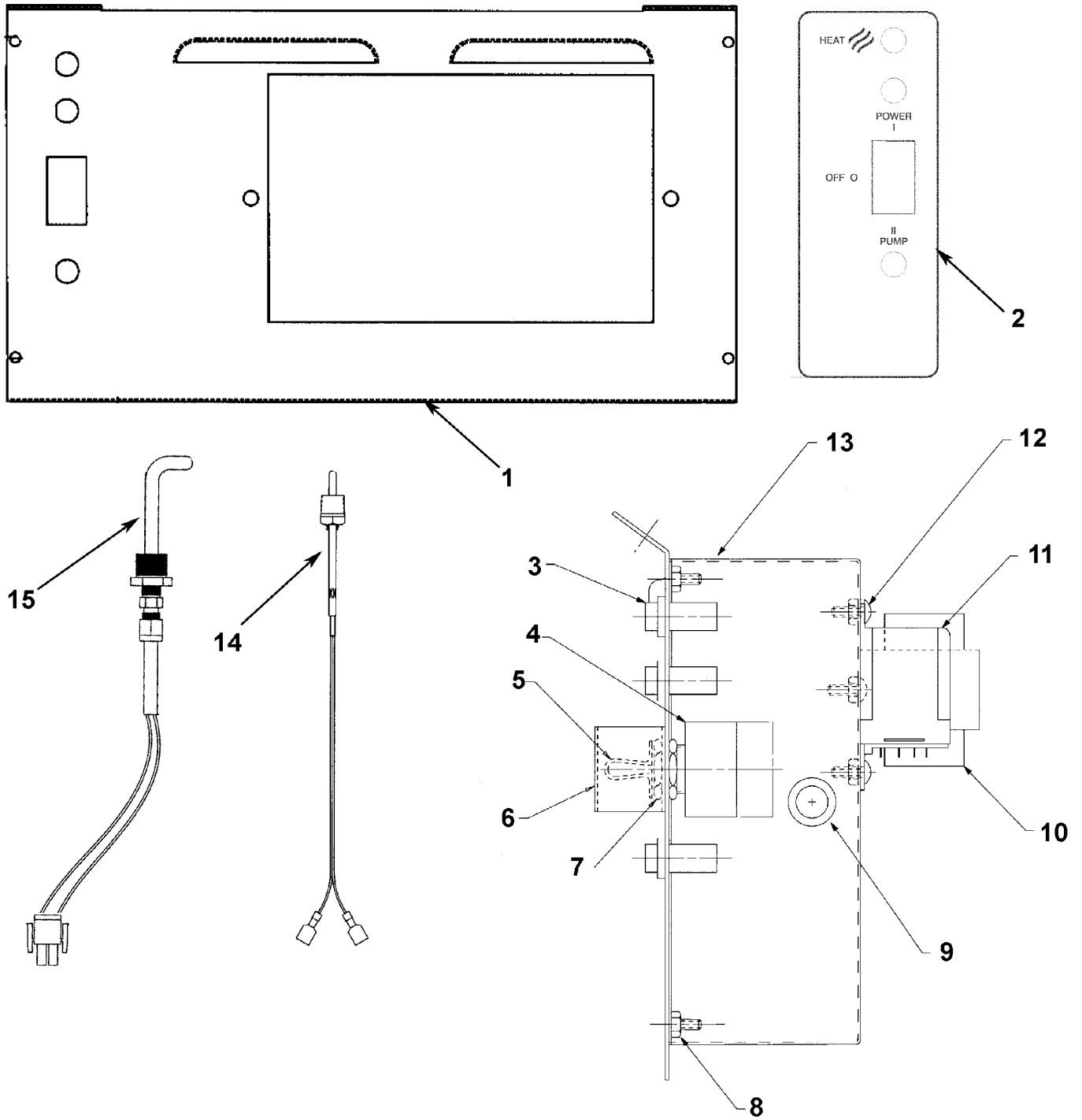


Figure 3-3. FAST Control Panel

FIGURE & ITEM NO.	PART NUMBER	DESCRIPTION	UNITS PER ASSY
FAST CONTROL PANEL			
3-3			
1	51617	FAST CONTROL PANEL - 500 - 208-240V (KB020JJ & below)....	1
1	29938	FAST CONTROL PANEL - 500 - 380-415V (KB020JJ & below)....	1
1	63751	FAST CONTROL PANEL - 600-120V (KA021JJ to GA085JB).....	1
	140246	KIT-PFG600 FAST CONTROL	1
	63224	FAST CONTROL PANEL - 500/600-240V (KB021JJ to HB013JB) (KA021JJ to GA085JB)	1
1	63225	FAST CONTROL PANEL CE- 500/600 (KB021JJ to HB013JB) (KA021JJ to GA085JB).....	1
1	27472	FAST CONTROL PANEL-600-100-120V (GA086JB & above).....	1
1	27423	FAST CONTROL PANEL-500/600-240V (HB014JB & above) (GA086JB & above)	1
1	27424	FAST CONTROL PANEL- CE-500/600 (HB014JB & above)..... (GA086JB & above)	1
2	44559	DECAL - FAST CONTROL - 500 (KB020JJ & below).....	1
2	61722	DECAL - FAST CONTROL - 500/600 (KB021JJ & above)..... (KA021JJ & above).....	1
√ 3	54085	LIGHT - CE INDICATOR, GREEN.....	3
√ 3	16624	LIGHT - INDICATOR, RED	3
√ 4	16640	SWITCH MAIN ASSY - 4 PDT (KB020JJ & below)	1
√ 4	29898	SWITCH - POWER (KB021JJ & above)	1
		(KA021JJ & above).....	
5	48369	SWITCH COVER - CE.....	1
6	18450	GUARD - SWITCH FRYER	1
7	NS03-018	NUT - 3/4-32 JAM	2
8	NS02-005	NUT HEX KEPS #6-32 C	10
9	EF02-002	BUSHING 33/64 P	1
√ 10	30614	TRANSFORMER - 208/240V PRI-24 VS.....	1
√ 10	35916	TRANSFORMER - 120V - 50/60 Hz	1
√ 11	30429	RELAY, 24V COIL - 15A@120V, 10A@240V (Shown)	1
√ 11*	60818	RELAY, 24V COIL - 10A@120V, 12A@240V	1
12	SC01-049	SCREW #6-32 X 3/8 PH PHD C	6
13	29921	BOX - SHIELD (KB020JJ & below).....	1
13	63336	COVER - CONTROL PANEL FAST(KB021JJ & above)..... (KA021JJ & above).....	1
√ 14	29948	ASSY - PROBE FAST - ELECTRIC	1
√ 15	29383	ASSY - PROBE FAST - GAS	1
16*	14908	KIT - 600 CONV FAST TO SMS INT	1

√ Recommended Parts
*not shown

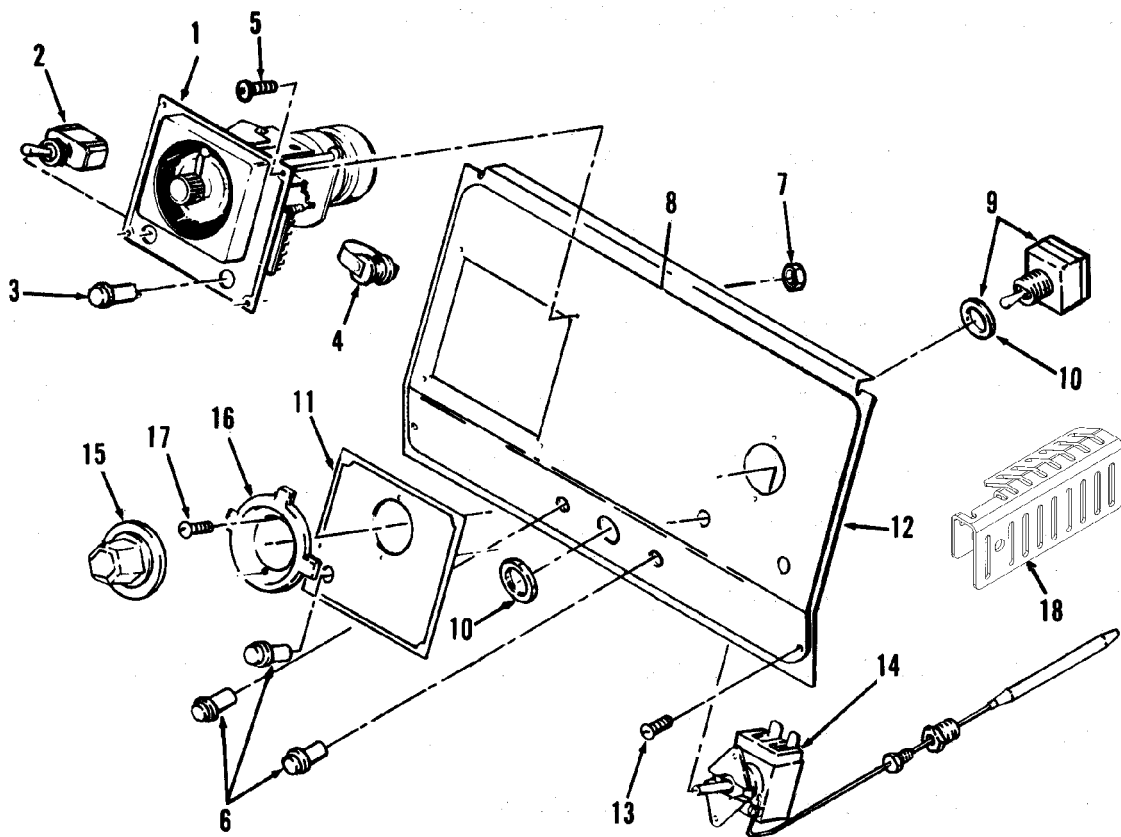


Figure 3-4. Standard Control Panel

FIGURE & ITEM NO.	PART NUMBER	DESCRIPTION	UNITS PER ASSY
3-4		STANDARD CONTROL PANEL	
	18425	ASSY, Control Panel Complete-Bent Panel - 500.....	1
	48185	ASSY, Control Panel Complete-Bent Panel - 561.....	1
	16675	ASSY, Control Panel Complete-Bent Panel - 600.....	1
√ 1	16602	TIMER ASSY, Automatic Reset, 115 Volt, 60 Hz.....	1
√ 1	16596	TIMER ASSY, Automatic Reset, 115 Volt, 50 Hz.....	1
√ 1	18301	TIMER ASSY, Automatic Reset, 208-240 Volt, 60 Hz.....	1
√ 1	18304	TIMER ASSY, Automatic Reset, 208-240 Volt, 50 Hz.....	1
√ 1	17366	TIMER ASSY, Automatic Reset, 208-240 Volt, 50 Hz - CE.....	1
√ 2	22195	SWITCH, Timer.....	1
√ 3	16624	LIGHT, Timer Indicator.....	1
√ 4	16659	COIL, Timer Buzzer, 115 Volt.....	1
√ 4	18302	COIL, Timer Buzzer, 220 Volt.....	1
4	14283	KIT, 600, Cont. 120 EM Buzzer.....	1
4	14284	KIT, 500/600, Cont. 230 EM Buzzer.....	1
4	14419	KIT, 500, Cont. 24 EM Buzzer.....	1
5	SC01-073	SCREW, Timer.....	4
√ 6	16624	LIGHT, Indicator.....	3
√ 6	63609	LIGHT, Indicator, Temperature - 48 Volt - Gas Models.....	1
√ 6	54086	LIGHT, Indicator, Green-CE and Australia - Gas Models.....	3
7	NS02-009	NUT, Timer.....	4
8		DECAL, Control - See chart on next page	1
√ 9	16640	SWITCH, Main.....	1
10	NS03-018	NUT, Main Switch.....	2
11	16745	PLATE, Thermostat.....	1
12		PANEL, Stud Assy - Control - See chart on next page	1
13	SC04-003	SCREW, Control Panel.....	2
√ 14a	18382	THERMOSTAT only, RS KX 365F Max.-CE-500/600.....	1
√ 14b	14293	KIT, Thermostat Control-600 (Includes items 15, 16, & 17).....	1
√ 14c	14648	KIT, Thermostat Control-500/561(Includes items 15, 16, 17, 18)..	1
15	16706	KNOB, Thermostat (Included in item 14b & 14c).....	1
16	16704	BEZEL, Thermostat (Included in item 14b & 14c).....	1
17	SC01-023	SCREW, Thermostat (Included in item 14b & 14c).....	2
18	65183	ASSY, Pot Capillary Guard - 500/561(Included in item 14c)..	1
19*	32927	WRAP, Thermostat Capillary.....	1
		FAST Controls (Also see pgs. 3-8 & 3-9 for exploded view & details)	
20*	61722	Decal - FAST Controls.....	1
√ 21*	29898	Power Switch.....	1
22*	18450	Guard - Power Switch.....	1
√ 23*	30429	Relay - 15A-125VAC, 10A-250VAC.....	1
√ 11	60818	Relay - 24V COIL (120V).....	1
√ 24*	30614	Transformer - 208/240 V - Pri 24 VS.....	1
√ 25*	54085	Indicator Light - Green - CE.....	3
26*	27472	Control Panel Assy. - FAST - 600 - 100-120V.....	1
26*	27423	Control Panel Assy. - FAST - 500/600 - 240V.....	1
√ 27*	29948	Temperature Probe - FAST - 500.....	1
√ 27*	29383	Temperature Probe - FAST - 600.....	1

√ Recommended Parts/* Not shown

Standard Control Panel

Serial Number	Description	500	561	600
KB020JJ & Below	Control Decal	64427	-	-
	Control Decal-Wendy's	61570	-	-
	Control Decal-Pollo Campero	61572	-	-
	Control Panel Stud Assy	18439	-	-
KB029JJ & Below	Control Decal	-	64428	-
	Control Panel Stud Assy	-	17524	-
KA020JJ & Below	Control Decal	-	-	64429
	Control Decal-Wendy's	-	-	61571
	Control Decal-Pollo Campero	-	-	61580
	Control Decal-Pollo Campero-CE	-	-	61754
	Control Panel Stud Assy	-	-	16701
KB021JJ to HB013JB	Control Decal	61554	-	-
	Control Decal-Wendy's	61570	-	-
	Control Decal-Pollo Campero	61572	-	-
	Control Panel Stud Assy	63230	-	-
KB030JJ to HB016JB	Control Decal	-	61709	-
	Control Panel Stud Assy	-	63230	-
KA021JJ to GA085JB	Control Decal	-	-	61555
	Control Decal-Wendy's	-	-	61571
	Control Decal-Pollo Campero	-	-	61580
	Control Panel Stud Assy	-	-	63230
	Control Decal-Pollo Campero-CE	-	-	61754
HB014JB & Above	Control Decal	61554	-	-
	Control Decal-Wendy's	61570	-	-
	Control Decal-Pollo Campero	61572	-	-
	Control Panel Stud Assy	27396	-	-
HB017JB & Above	Control Decal	-	61709	-
	Control Panel Stud Assy	-	27396	-
GA086JB & Above	Control Decal	-	-	61555
	Control Decal-Wendy's	-	-	61571
	Control Decal-Pollo Campero	-	-	61580
	Control Decal-Pollo Campero-CE	-	-	61754
	Control Panel Stud Assy	-	-	27396

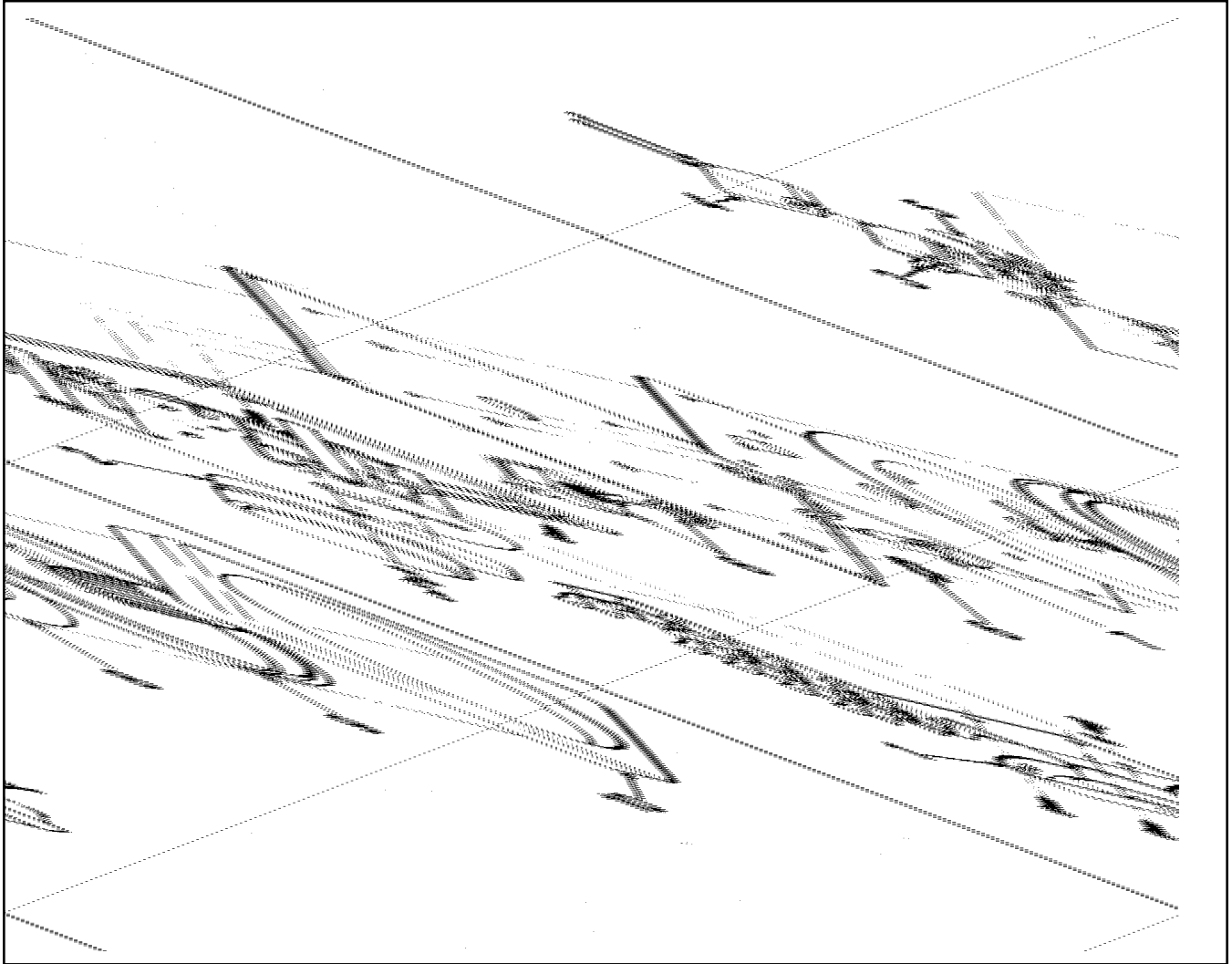


Figure 3-5. Automatic Reset Timer Assembly

FIGURE & ITEM NO.	PART NUMBER	DESCRIPTION	UNITS PER ASSY
3-5		AUTOMATIC RESET TIMER ASSEMBLY	
√ 1	16659	BUZZER COIL ASSY, 120 V.....	1
√ 1	18302	BUZZER COIL ASSY, 208-240 V.....	1
√ 2	16673	TIMER MOTOR, 120 V.....	1
√ 2	18303	TIMER MOTOR, 208-240 V.....	1
√ 3	16671	TIMER MICROSWITCH.....	1
√ 4	18771	MICROSWITCH MOUNTING PLATE.....	1
√ 5	18772	MICROSWITCH ACTUATOR ARM.....	1
√ 6	22195	ON/OFF SWITCH (includes nut).....	1
√ 7	16624	INDICATOR LIGHT.....	1
√ 9	16371	KNOB & POINTER ASSY.....	1
√ 10	16657	BEZEL.....	1

√ Recommended Parts

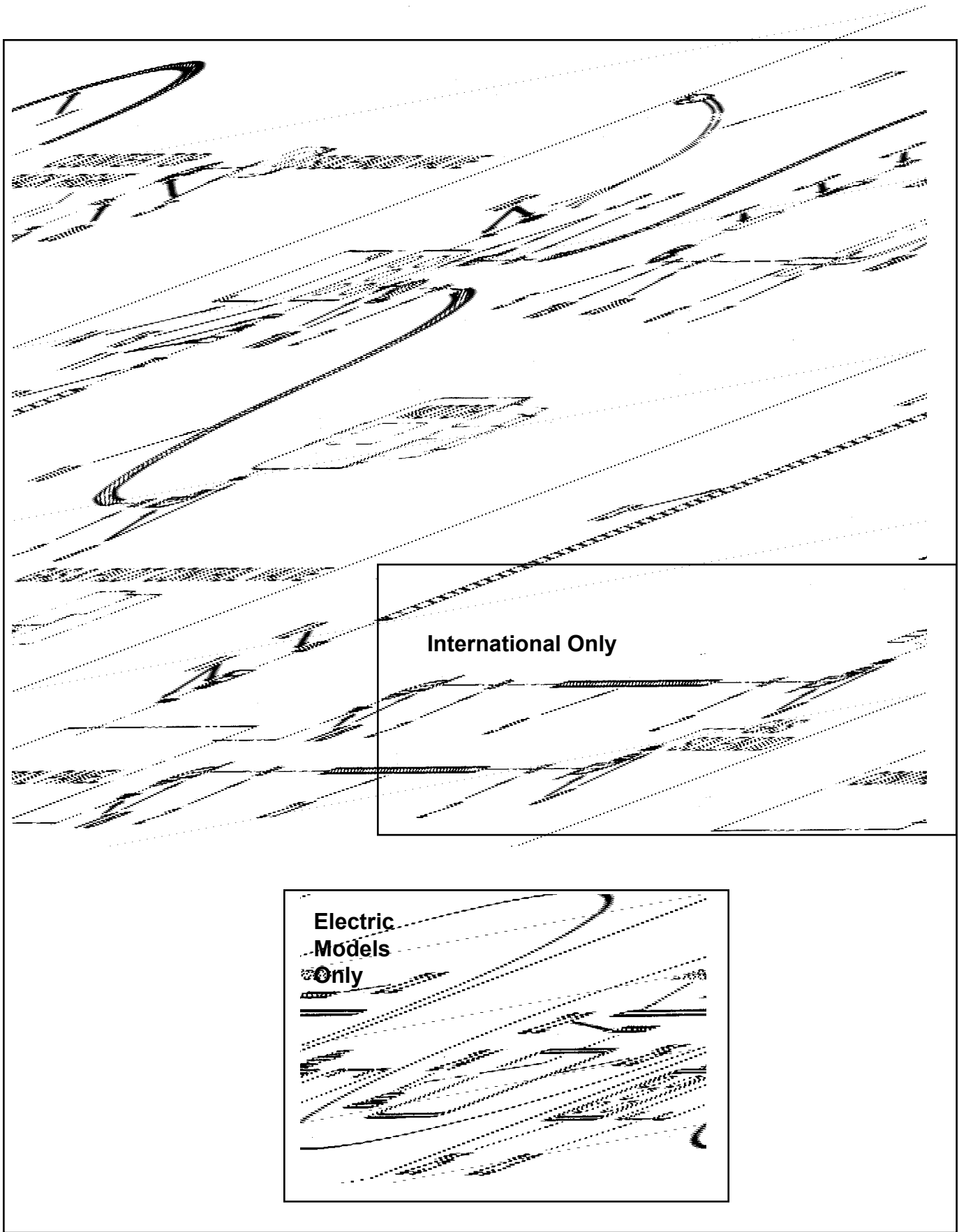


Figure 3-6. Electric Conduit Assembly

FIGURE & ITEM NO.	PART NUMBER	DESCRIPTION	UNITS PER ASSY
3-6		ELECTRIC CONDUIT ASSEMBLY	
1	18527	CONDUIT, Flexible.....	1
2	18105	BUSHING, Anti Short	8
3	18111	CONNECTOR, Conduit	2
4	FP01-018	COUPLING, Pipe	1
5	18113	CONNECTOR, Conduit, 90°	2
6	59218	TUBE, Conduit - Solenoid.....	1
7	16804	GROMMET, Umbrella	1
8	18107	CONNECTOR, Conduit, 90°	1
9	17221	CONDUIT, Flexible	1
9	33866	CONDUIT, Flexible-CE and Australia	1
10	30291	CONDUIT, Flexible	1
11	18104	CONNECTOR, Conduit	2
12	18108	BUSHING, Anti Short	2
13	33628	CONDUIT, Flexible	1
14	18101	COVER, Junction Box	1
15	18102	BOX, Junction	1
15	54965	BOX, Junction w/cover-Splash Proof - CE and Australia ..	1
16	18103	CONNECTOR, Power Cord	1
17	53656	CORD, Power, With Grounded Plug - Gas Models only...	1
17	34823	CORD, Power-CE and Australia - Gas Models only	1
18	18644	CONDUIT CONNECTOR	1
19	16817	SLEEVE, Teflon.....	2
20	16809	NUT, Fitting.....	2
21	44814	CONDUIT, Flexible.....	1
22	19617	NUT, Lock, 3/4 inch	2
23	19708	COVER, Junction Box.....	1
23	44485	COVER, Junctn. Box, Water Tight, CE & Australia (500).	1
23	32779	COVER, Junction Box, Water Tight, CE (600)	1
24	19616	NIPPLE, 3/4 inch Chase	1
25	19707	BOX, Main Power Junction.....	1
25	48437	BOX, Junction, Water Tight -CE (model 500).....	1
25	32740	BOX, Junction, Water Tight -CE (model 600).....	1
√26*	51390	EMC Filter Assy.-CE and Australia	1
27*	19923	TRANSFORMER, Large - 480 Volt.....	1

√ Recommended Parts

*not shown

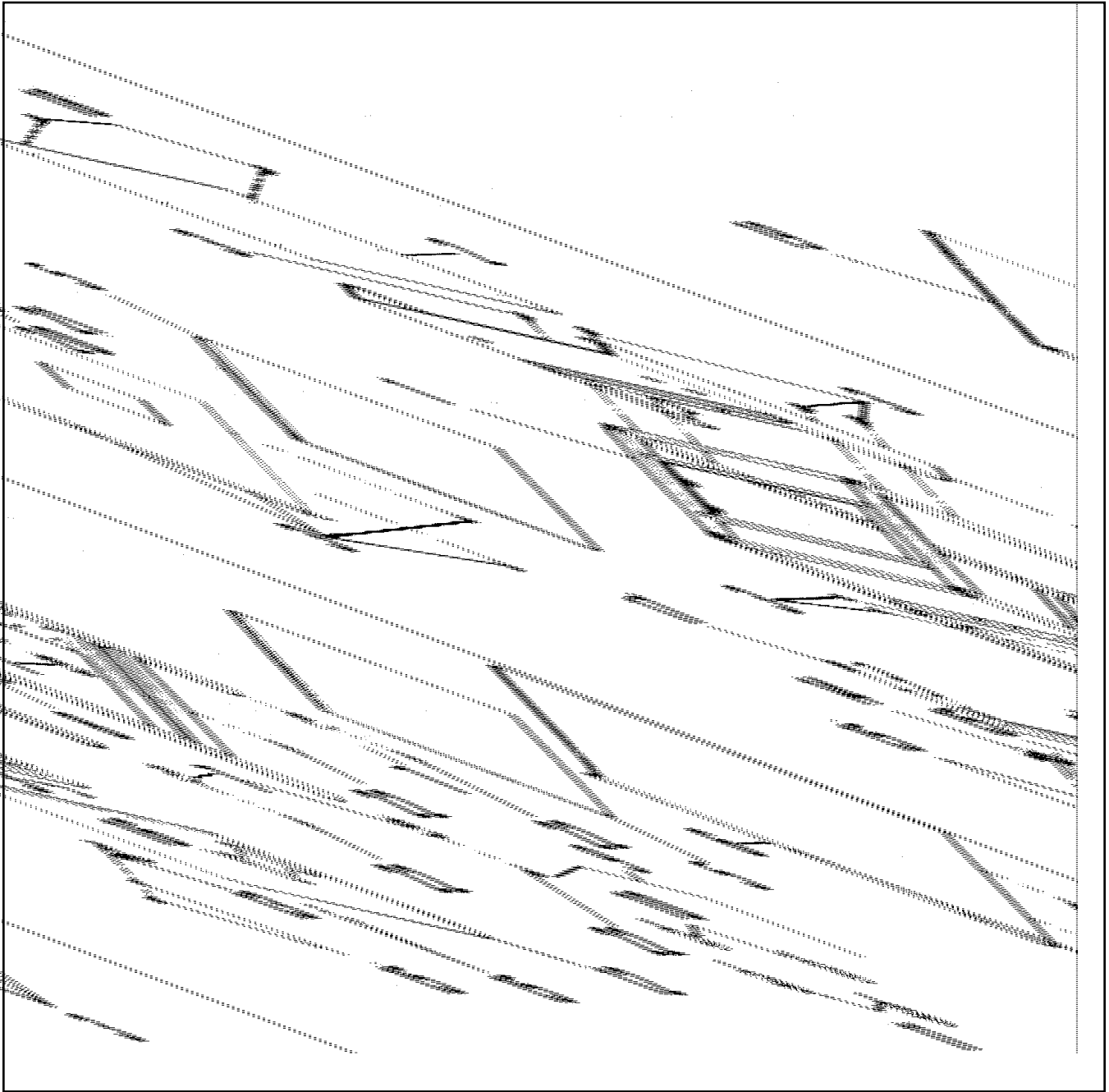


Figure 3-7. Frame and Cabinet Assembly

FIGURE & ITEM NO.	PART NUMBER	DESCRIPTION	UNITS PER ASSY
3-7		FRAME AND CABINET ASSEMBLY	
1		FRAME ASSEMBLY- See chart on next page	1
2		COVER, Back Shroud- See chart on next page	1
3	SC03-005	SCREW, Panels and Bracket, Sheet Metal	22
4		SHROUD ASSEMBLY- See chart on next page	1
5	59730	INSULATION, Side Panel, (Gas only).....	2
5	59732	INSULATION, Side Panel - CE (Gas only)	2
6		PANEL, Right Side, SS - See chart on next page	1
6	24255	PANEL, Right Side, - CE and Australia (Gas only) (KA021JJ & above)	1
7	54225	INSERT, Aluminum Feet - 1 in. x 1 in.....	4
7	17612	INSERT, Aluminum Feet - 1 in. x 1-1/2 in.	4
8	59230	BRACKET, Magnetic Catch.....	1
8	17002	MAGNET	1
9	03007	CASTER, Assembly	1
10	17630	CASTER, Less Brake	2
11	17629	CASTER, w/Brake	2
10	151564	CASTER 3 IN. SWIVEL STEM HD.....	2
11	151563	CASTER 3 IN. SWIVEL W/BRAKE HD.....	5
12	17639	DOOR ASSY, Complete (KB020JJ & below-elec)	1
		(KA020JJ & below-gas)	
12	58849	DOOR ASSY, Complete (KB021JJ & above-elec)	1
		(KA021JJ & above-gas)	
13	17620	HINGE, Bottom Door.....	1
14	17618	HINGE, Top Door.....	1
15	SC01-072	SCREW, Door Hinge	8
16	41836	HANDLE, Door.....	1
17		PANEL, Frt, SS - See chart on next page	1
18	SC04-003	SCREW, Back Shroud	6
19		PANEL, Side Left, SS- See chart on next page	1
19	24254	PANEL, Side Left,- CE and Australia (Gas only)..... (KA021JJ & above)	1
20	17627	LUG, Grounding.....	1
21	17611	SCREW, Grounding Lug	1
22	SC01-143	5/8-18x4 Hex Hd (bright finish) (adjust. legs).....	4
22	SC01-067	5/8-18x3-1/4 Hex Hd (black finish) (adjust. legs)	4
23*	NS03-050	NUTSERT, #8-32 Steel CAD Plated (hinge nutserts) ..	4
24*	SC01-234	SCREW, #8-32x1/2 PH Flat Hd (Door to Frame)	4

* not shown

Frame and Cabinet Assembly

Serial Number	Description	500	561	600
KB020JJ & Below	Front Panel	17602	-	-
	Frame Assy(short)	N/A	-	-
	Frame Assy(long)	N/A	-	-
	Right Side Panel	17606	-	-
	Left Side Panel	17604	-	-
KB029JJ & Below	Front Panel	-	17602	-
	Frame Assy(short)	-	N/A	-
	Frame Assy(long)	-	N/A	-
	Right Side Panel	-	48047	-
	Left Side Panel	-	17604	-
KA020JJ & Below	Front Panel	-	-	17602
	Back Shroud Cover	-	-	17346
	Shroud Assy	-	-	18740
	Frame Assy(short)	-	-	N/A
	Frame Assy(long)	-	-	N/A
	Right Side Panel	-	-	17606
	Left Side Panel	-	-	17604
KB021JJ to HB013JB	Back Shroud Cover	64255	-	-
	Shroud Assy	67900	-	-
	Front Panel	56974		
	Frame Assy(long)	64018	-	-
	Frame Assy(short)	64017		
	Right Side Panel	56972	-	-
	Left Side Panel	56973	-	-
KB030JJ to HB016JB	Back Shroud Cover	-	64255	-
	Shroud Assy	-	67900	-
	Front Panel	-	56974	-
	Frame Assy(long)		64018	
	Frame Assy(short)		64017	
	Right Side Panel	-	56972	
	Left Side Panel	-	56973	
KA021JJ to GA085JB	Back Shroud Cover	-	-	64255
	Shroud Assy	-	-	67900
	Front Panel	-	-	56974
	Frame Assy(long)			64018
	Frame Assy(short)			64017
	Right Side Panel	-	-	56972
	Left Side Panel		-	56973

(Continued on following page)

Frame and Cabinet Assembly

Serial Number	Description	500	561	600
HB014JB & Above	Back Shroud Cover	24534	-	-
	Shroud Assy	67900	-	-
	Front Panel	83195	-	-
	Frame Assy(short)	23679	-	-
	Frame Assy(long)	26854	-	-
	Right Side Panel	56972	-	-
	Left Side Panel	56973	-	-
	HB017JB & Above	Back Shroud Cover	-	24534
Shroud Assy		-	67900	-
Front Panel		-	83195	-
Frame Assy(short)		-	23679	-
Frame Assy(long)		-	26854	-
Right Side Panel		-	56972	-
Left Side Panel		-	56973	-
GA086JB & Above		Back Shroud Cover	-	-
	Shroud Assy	-	-	67900
	Front Panel	-	-	83195
	Frame Assy(short)	-	-	23679
	Frame Assy(long)	-	-	26854
	Right Side Panel	-	-	56972
	Left Side Panel	-	-	56973

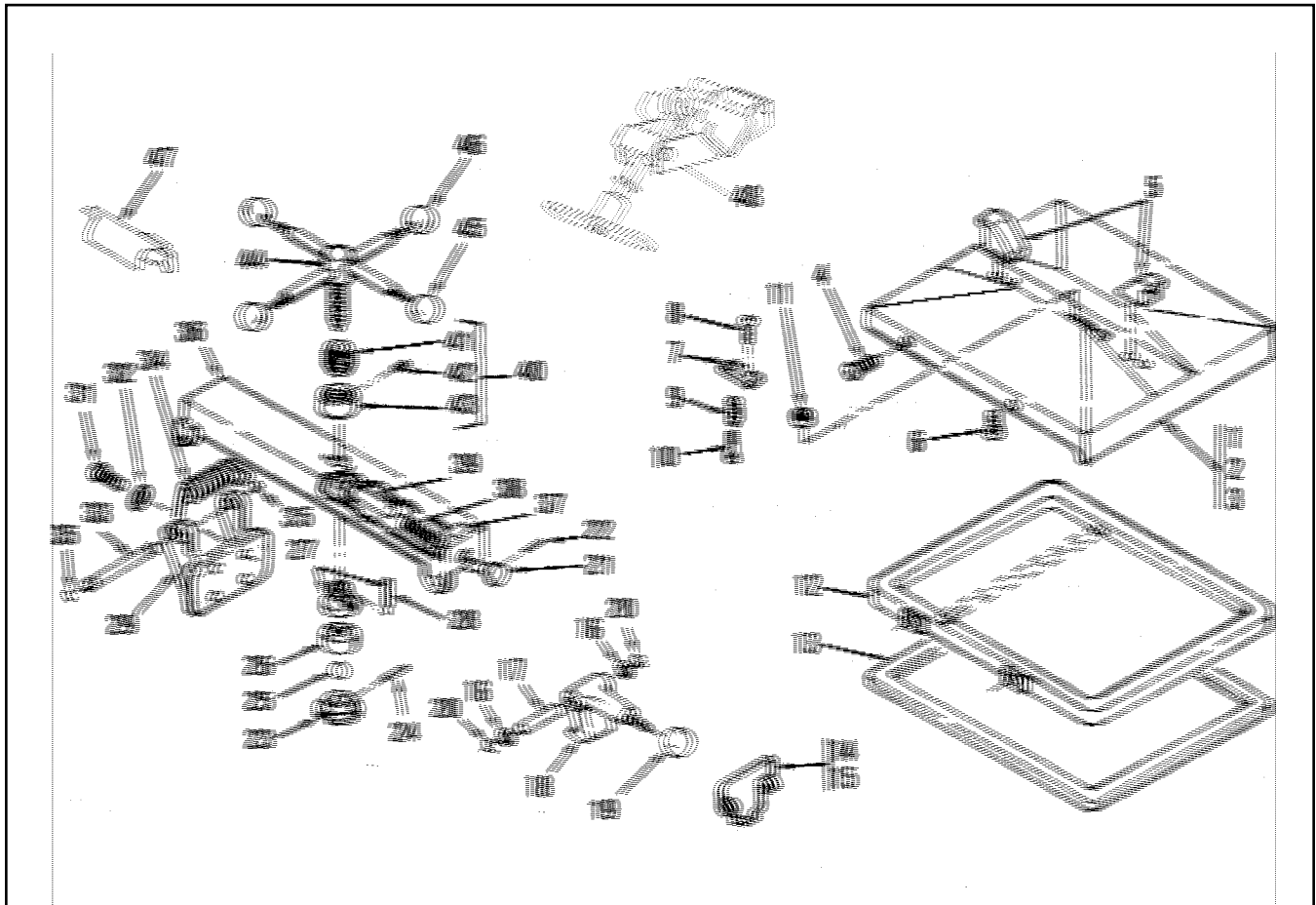


Figure 3-8. Lid Assembly

FIGURE & ITEM NO.	PART NUMBER	DESCRIPTION	UNITS PER ASSY
3-8		LID ASSEMBLY	
1	16170	LID ASSEMBLY	1
2	16169	COVER ASSEMBLY	1
3	16155	COVER, Lid	1
4	SC01-083	SCREW, Lid Cover	4
5	16133	HOOK, Cover Retaining	2
6	SC06-027	SCREW, Retaining Hook	4
7	16166	RETAINER	1
8	SC06-010	SCREW, Retaining Hook (Allen Head)	1
9	16165	SPRING, Return	1
10	16164	PIN, Locking	1
11	16163	BALL, Seat	1

FIGURE & ITEM NO.	PART NUMBER	DESCRIPTION	UNITS PER ASSY
3-8 Cont'd			
12	16119	LINER, Inner Lid.....	1
√ 13	16120	GASKET, Reversible, Inner Lid Liner.....	1
√ 14	16199	KIT, Latch Spring.....	1
15	33480	SPRING.....	1
16	16198	SPACER.....	2
17	16197	PIN, Latch.....	1
√ 18	16116	LATCH, Lid.....	1
19	16102	KNOB, Latch.....	1
20	16121	RING, Tru-Arc Latch.....	2
21	16137	KNOB, Retaining Pin.....	1
22	16138	PIN, Knob Roll.....	1
23	16157	COLLAR, Locking.....	1
23	27325	COLLAR, Locking - CE.....	1
24	16158	PIN, Locking Collar.....	1
24	27351	PIN, Locking Collar - CE.....	1
25	16159	BALL, Thrust.....	1
26	27326	NUT, Idle.....	1
27	27329	NUT, Acme.....	1
28	16162	PIN, Acme Nut.....	2
√ 29	16112	HINGE, Lid Assembly.....	1
31	SC01-081	SCREW, Lid Hinge.....	4
32	LW01-010	WASHER, Lock, Lid Hinge.....	4
33	16110	PIN, Lid Hinge.....	1
√ 34	75293	HINGE, Lid Spring.....	1
35	16111	RING, Retainer, Tru-Arc, Hinge.....	2
36	16154	BAR, Center Cross.....	1
36	26884	BAR, Center Cross - CE.....	1
37	36099	DECAL, DANGER.....	1
38	16136	SPRING, Retaining Pin.....	1
39	16135	COVER, Retaining Pin.....	1
40	16171	STOP, Limit Assembly.....	1
41	16153	STOP, Limit.....	1
42	16156	SCREW, Set, Limit Stop Collar.....	2
43	16152	COLLAR, Limit Stop.....	2
44	16168	SPINDLE ASSEMBLY.....	1
44	26911	SPINDLE ASSEMBLY - CE.....	1
45	16102	KNOB, Spindle, Red.....	1
46	16101	KNOB, Spindle, Black.....	3
47	29587	COVER, Spring.....	1
√ 48	14960	KIT, Spring Loading Tool.....	1

√ Recommended Parts

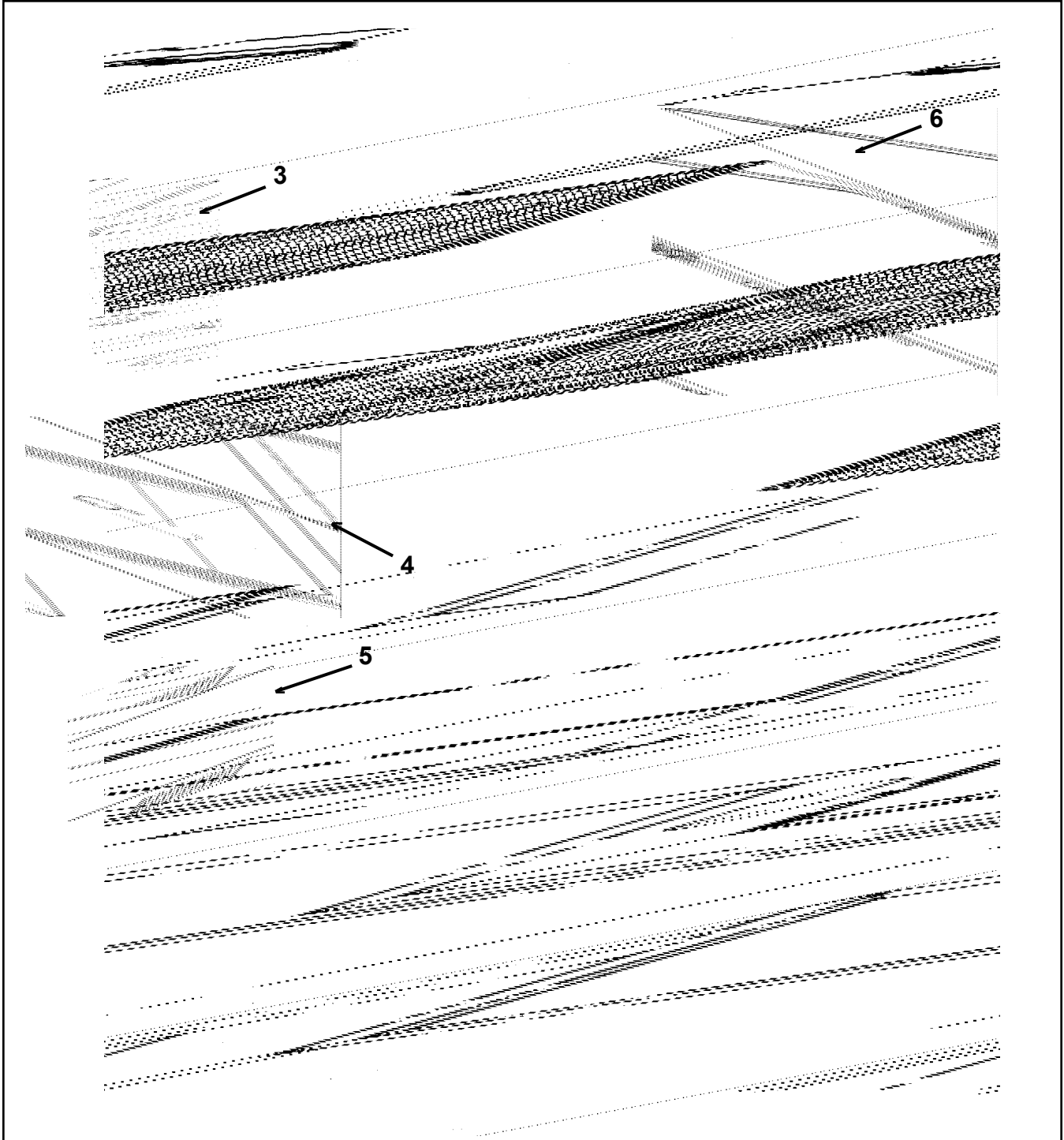


Figure 3-9. Fry Basket (Gas or Electric Model)

FIGURE & ITEM NO.	PART NUMBER	DESCRIPTION	UNITS PER ASSY
3-9		FRY BASKET (Gas or Electric Model)	
1	56075	BASKET, Model 561	1
1	55424	BASKET, Full Basket w/Bail Handle - Model 561	1
1	17801	BASKET, Without Legs, Gas Model Only	1
1	19501	BASKET, With Legs, Electric Model Only	1
1	19507	BASKET, Expanded - PFE500	1
2	19502	HANDLE	1
2	48115	HANDLE, Basket - Model 561	1
3	24438	ASSY, Weld-Crumb Basket Handle.....	1
4	03357	ASSY, Weld-Crumb Pan/Tube-PFE-500 w/Handle.....	1
4	03363	ASSY, Weld-Crumb Pan/Tube-PFE-561 w/Handle.....	1
5	03397	ASSY, Weld-Crumb Pan/Tube-PFG-600 w/Handle	1
6	64071	HANDLE, Locking Assembly	1
7*	19535	1/2 SIZE BASKET Support - Model 500/600	1
7*	73037	1/2 SIZE Basket Support - Model 500.....	1
8*	19509	1/2 SIZE Basket - Model 500/600	2
8*	73025	1/2 SIZE Basket - Model 500	2
8*	71371	BASKET, Chicken Filet (McDs) - Model 500	1
8*	72009	BASKET, Chicken Filet (McDs) - Model 600	1
9*	72294	INSERT, Drop-in Fillet Basket (McDs).....	1

* not shown

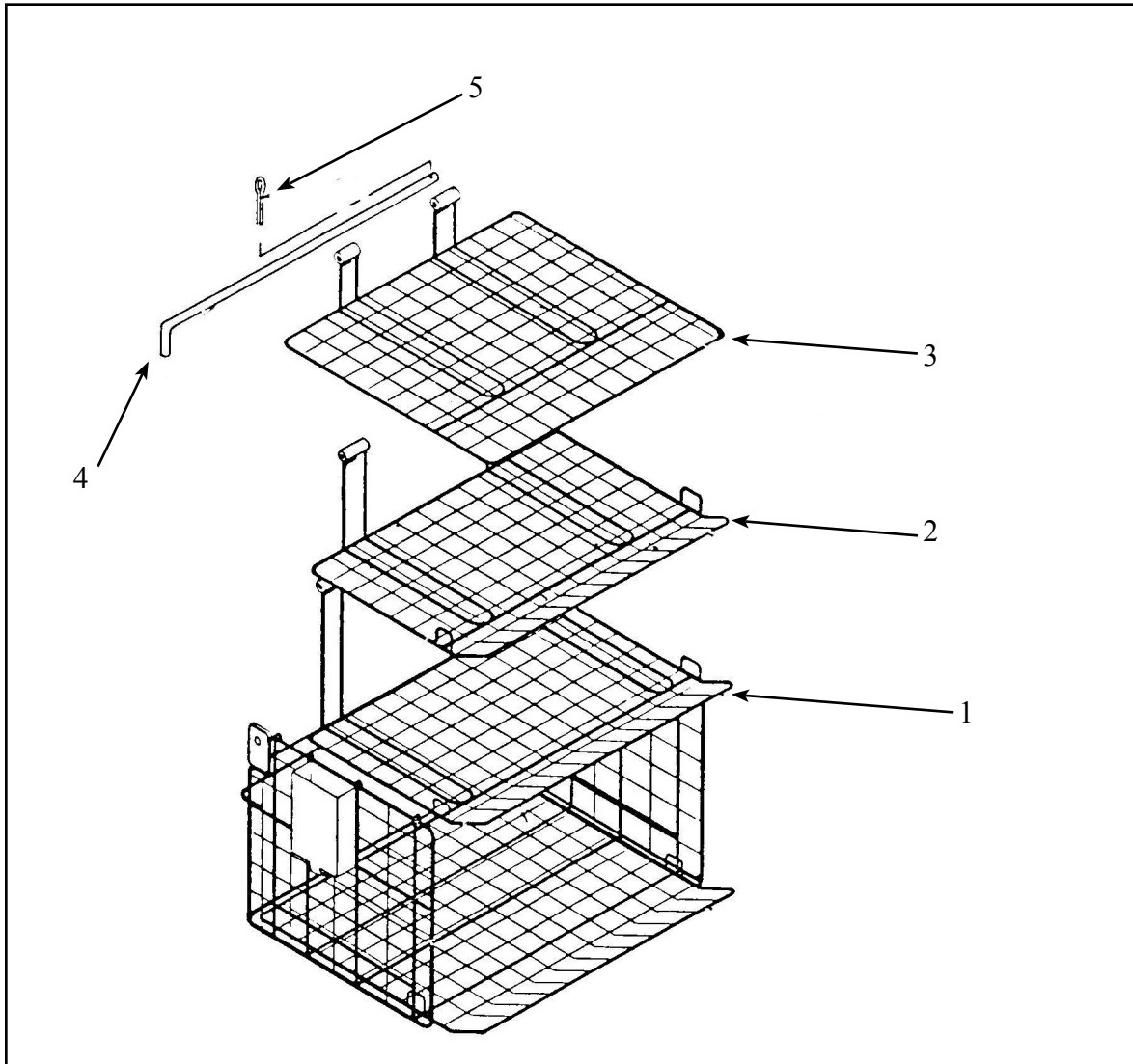


Figure 3-10. 3 Tier Wire Basket (Gas Model)

FIGURE & ITEM NO.	PART NUMBER	DESCRIPTION	QTY.
3-10	64058	STAINLESS STEEL BASKET.....	1
1	64060	SHELF, 2nd	1
2	64061	SHELF, 3rd.....	1
3	64062	COVER.....	1
4	19536	ROD, Pivot.....	1
5	PN01 -001	PIN, Cotter.....	1

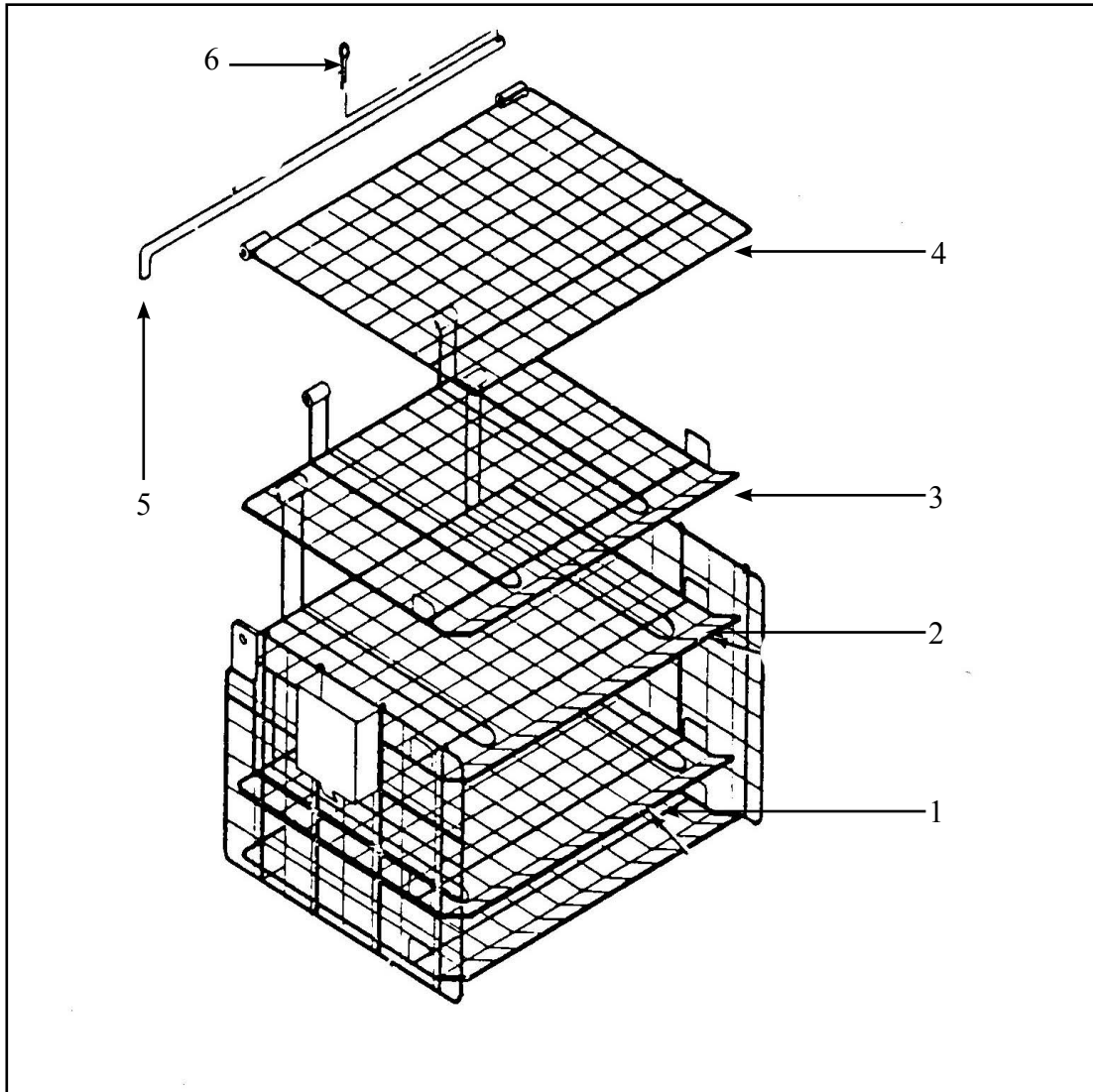


Figure 3-11. 4 Tier Wire Basket (Electric Model)

ITEM NO.	PART NUMBER	DESCRIPTION	QTY.
3-11	63039	STAINLESS STEEL BASKET	1
1	63043	SHELF, 2nd	1
2	63044	SHELF, 3rd	1
3	63045	SHELF, 4th	1
4	63046	COVER.....	1
5	19536	ROD, Pivot	1
6	PN01 -001	PIN, Cotter.....	1
7*	24900	BASKET-TIER - 3.375 Hook Height (Malaysia)	1

* not shown

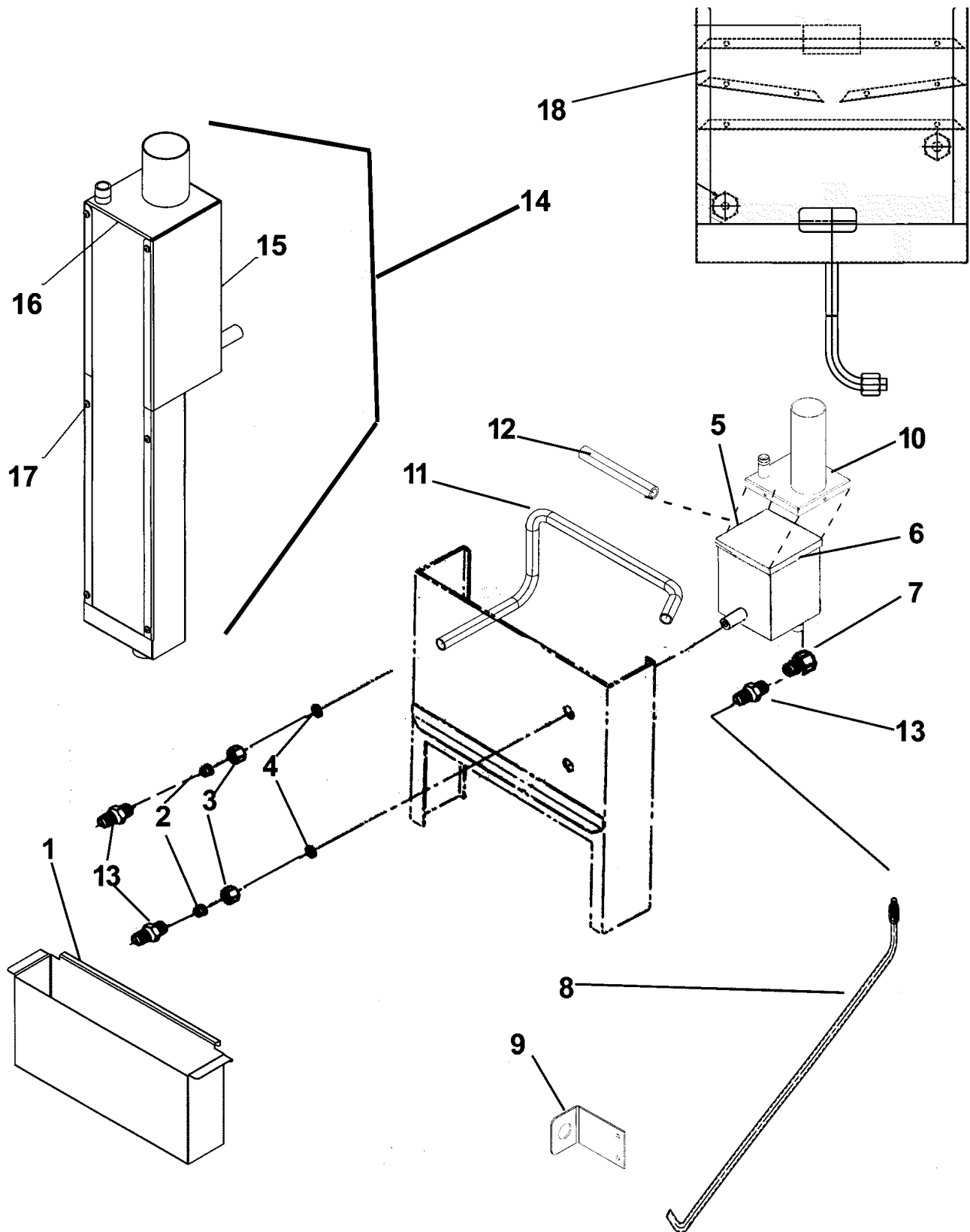


Figure 3-12. Exhaust Stack Assembly

FIGURE & ITEM NO.	PART NUMBER	DESCRIPTION	UNITS PER ASSY
3-12		EXHAUST STACK ASSEMBLY	
1	68086	PAN, Condensate Drain	1
1	64274	PAN, Condensate Drain-Short (CFA-SN: JB095JA to HB013JB)	1
2	16817	FITTING, Teflon Sleeve	2
3	16809	NUT, Fitting.....	2
4	16804	UMBRELLA GROMMET	2
5	58852	CONDENSATE BOX - Bottom-See chart on next page.....	1
6	SC02-016	SCREW, #8-32-AB x 1/2 PH PHD S	4
7	FP01-122	REDUCER, 3/8 to 1/2 BI.....	1
8		TUBE, Condensation Assembly-See chart on next page.....	1
9	63992	BRACKET, Condensation Hose	1
10	64013	CONDENSATE BOX - Top-See chart on next page.....	1
11		TUBE, Deadweight-See chart on next page	1
12		HOSE, Deadweight to Steam Box-See chart on next page	1
13	16807	CONNECTOR, Male.....	3
14	65724	ASSY, Condensate Box-See chart on next page.....	1
15	65725	WELD ASSY, Steam Box - Outer	1
16	65726	WELD ASSY, Steam Box - Inner	1
17	SC04-003	SCREW, #8-32 x 3/8 PH PHD S	6
18	21302	ASSY, Exhaust Stack - 500/561 - SN: KB020JJ & Below.....	1

Exhaust Stack Assembly

Item No.	Serial Number	Description	500	561	600
8	KB020JJ & Below	Condensation Line Assy	18506	-	-
8	KB029JJ & Below	Condensation Line Assy	-	55432	-
8	KA020JJ & Below	Condensation Line Assy	-	-	16838
11		Dead Weight Tube SS	-	-	16854
8	KB021JJ to BB016JA	Condensation Line Assy	14320	-	-
10		Condensate Box Top	64013	-	-
11		Dead Weight Tube SS	59221	-	-
12		Flex Hose To Cond. Box	63195	-	-
14		Condensate Box	58852	-	-
8	KB030JJ to BB055JA	Condensation Line Assy	-	14320	-
10		Condensate Box Top	-	64013	-
11		Dead Weight Tube SS	-	59221	-
12		Flex Hose To Cond. Box	-	63195	-
14		Condensate Box	-	58852	-
8	KA021JJ to BA026JA	Condensation Line Assy	-	-	14320
10		Condensate Box Top	-	-	64013
11		Dead Weight Tube SS	-	-	59221
12		Flex Hose To Cond. Box	-	-	63195
14		Condensate Box	-	-	58852
8	BB017JA to EB015JB	Condensation Line Assy	64016	-	-
10		Condensate Box Top	64013	-	-
11		Dead Weight Tube SS	59221	-	-
12		Flex Hose To Cond. Box	63195	-	-
14		Condensate Box	58852	-	-
8	BB056JA to EB019JB	Condensation Line Assy	-	64016	-
10		Condensate Box Top	-	64013	-
11		Dead Weight Tube SS	-	59221	-
12		Flex Hose To Cond. Box	-	63195	-
14		Condensate Box	-	58852	-
8	BA027JA to EA014JB	Condensation Line Assy	-	-	64016
10		Condensate Box Top	-	-	64013
11		Dead Weight Tube SS	-	-	59221
12		Flex Hose To Cond. Box	-	-	63195
14		Condensate Box	-	-	58852

(Continued on following page)

Exhaust Stack Assembly

Item No.	Serial Number	Description	500	561	600
8	EB016JB to HB013JB	Condensation Line Assy	24998	-	-
10	(except EB018JB	Condensate Box Top	use 65724	-	-
11	& EB019HB)	Dead Weight Tube SS	65621	-	-
12		Flex Hose To Cond. Box	52124	-	-
5		Condensate Box Bottom	use 65724	-	-
14		Condensate Box	use 65724	-	-
8	EB020JB to HB016JB	Condensation Line Assy	-	24998	-
10		Condensate Box Top	-	use 65724	-
11		Dead Weight Tube SS	-	65621	-
12		Flex Hose To Cond. Box	-	52124	-
5		Condensate Box Bottom	-	use 65724	-
14		Condensate Box	-	use 65724	-
8	EA015JB to GA085JB	Condensation Line Assy	-	-	24998
10		Condensate Box Top	-	-	use 65724
11		Dead Weight Tube SS	-	-	65621
12		Flex Hose To Cond. Box	-	-	52124
5		Condensate Box Bottom	-	-	use 65724
14		Condensate Box	-	-	use 65724
8	HB014JB & Above	Condensation Line Assy	69009	-	-
11		Dead Weight Tube SS	65621	-	-
12		Flex Hose To Cond. Box	52124	-	-
14		Condensate Box	65724	-	-
8	HB017JB & Above	Condensation Line Assy	-	69009	-
11		Dead Weight Tube SS	-	65621	-
12		Flex Hose To Cond. Box	-	52124	-
14		Condensate Box	-	65724	-
8	GA086JB & Above	Condensation Line Assy	-	-	69009
11		Dead Weight Tube SS	-	-	65621
12		Flex Hose To Cond. Box	-	-	52124
14		Condensate Box	-	-	65724



Figure 3-13. Deadweight Valve Assembly

FIGURE & ITEM NO.	PART NUMBER	DESCRIPTION	UNITS PER ASSY
3-13		DEADWEIGHT VALVE ASSEMBLY	
1	16924	VALVE ASSEMBLY, Deadweight	1
2	56305	BODY, Deadweight Valve	1
3	16912	DECAL, DEADWEIGHT VALVE.....	1
4	FP01-127	1/2 x 1/2 90 Degree Street L.....	1
√ 5	59742	VALVE ASSEMBLY, Relief.....	1
6	16918	DEADWEIGHT ORIFICE	1
6	27910	DEADWEIGHT ORIFICE - 3 lb. (use w/28922)	1
7	16903	DEADWEIGHT - 12 lb.....	1
7	81343	DEADWEIGHT - 11 lb (Malaysia).	1
7	28922	DEADWEIGHT - 3 lb (use w/27910).....	1
7	32729	DEADWEIGHT - 7 lb.....	1
8	16902	RING, Cap.....	1
9	56307	CAP, Deadweight Valve	1
√ 10	16910	GAUGE, Pressure.....	1
11	16914	GLASS, Pressure Gauge.....	1
12	16909	ELBOW	1
13	56636	NIPPLE.....	1
14	65449	DEADWEIGHT - 3 lb.	1

√ Recommended Parts

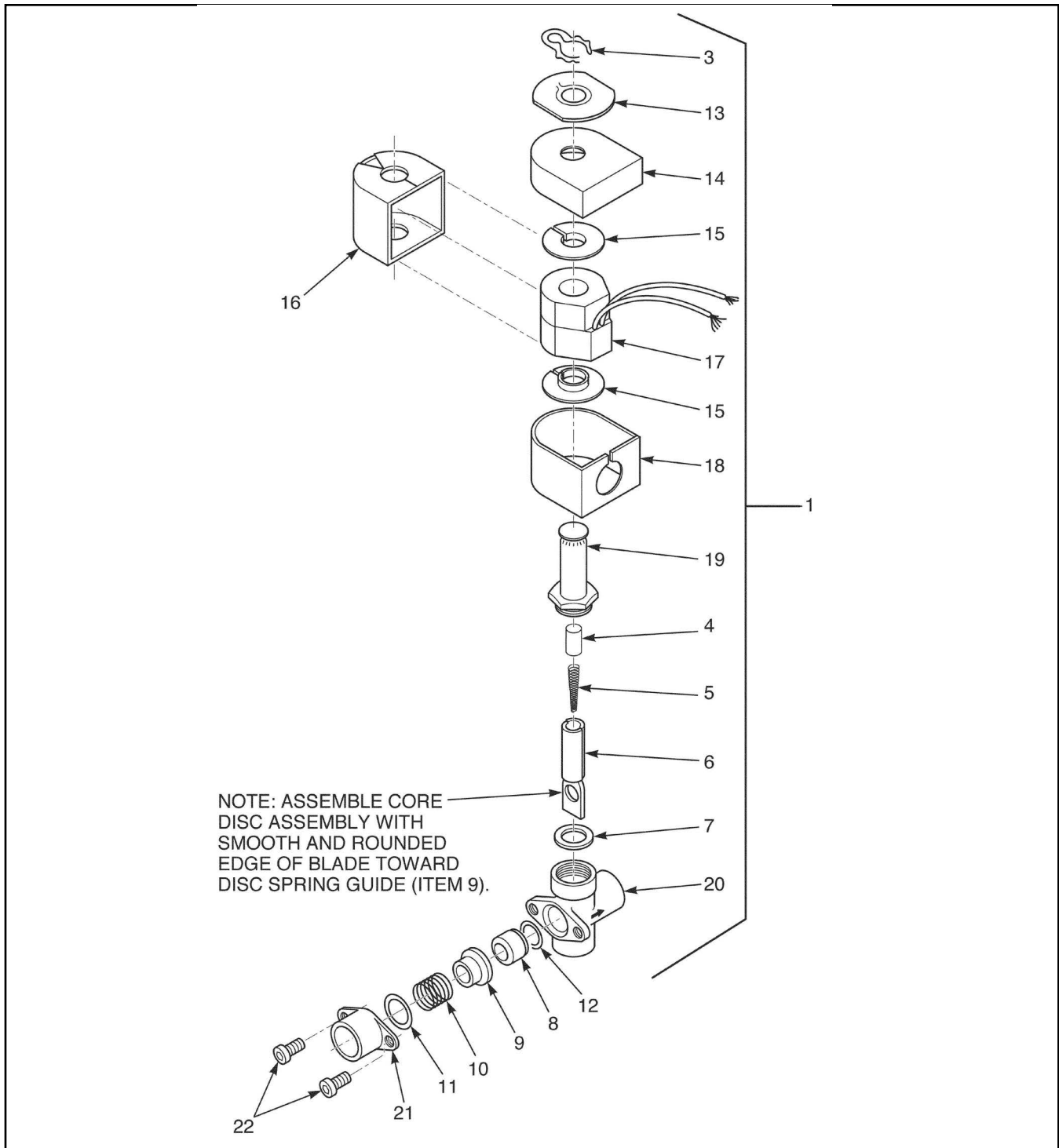


Figure 3-14. Solenoid Valve Assembly (Gas or Electric Model)

FIGURE & ITEM NO.	PART NUMBER	DESCRIPTION	UNITS PER ASSY
3-14		SOLENOID VALVE ASSEMBLY (Gas or Electric Model)	
1	17121	VALVE, Solenoid, 120 Volt, 60 Cycle.....	1
1	18724	VALVE, Solenoid, 208-240 Volt, 50 Cycle	1
1	18721	VALVE, Solenoid, 208/240 Volt, 60 Cycle	1
1	29515	VALVE, Solenoid, 24 Volt, 60 Cycle.....	1
1	29698	VALVE, Solenoid, 24 Volt, 50 Cycle.....	1
1	54945	VALVE, Solenoid, 208-240 Volt, 50 Cycle-CE.....	1
1	54971	VALVE, Solenoid, 24 Volt, 50 Cycle-CE	1
√ 2	17120	KIT, Solenoid Valve Repair	1
3	17101	CLIP, Retaining	1
4	17109	RETAINER, Spring	1
5	17110	SPRING, Core	1
6	17111	CORE, Disc Assembly	1
7	17112	GASKET, Bonnet	1
8	17114	SEAT, Teflon	1
9	17115	GUIDE, Disc Spring.....	1
10	17116	SPRING, Disc	1
11	17117	RING, Spring Retainer.....	1
12	17122	SEAT, O-Ring Seal	1
√ 13	17102	PLATE, Solenoid Name	1
√ 14	17103	COVER, Coil Housing.....	1
√ 15	17104	WASHER, Coil	2
√ 16	17105	YOKE, Coil.....	1
√ 17	17106	COIL, 120 Volt, 60 Cycle.....	1
√ 17	18706	COIL, 208/240 Volt, 60 Cycle.....	1
√ 17	18726	COIL, 208-240 Volt, 50 Cycle	1
√ 17	29547	COIL, 24 Volt, 60 Cycle.....	1
√ 17	29575	COIL, 24 Volt, 50 Cycle.....	1
√ 18	17123	HOUSING, Coil	1
√ 19	17108	BONNET, Solenoid.....	1
√ 20	17113	BODY, Solenoid Valve.....	1
√ 21	17118	ADAPTER, Pipe	1
√ 22	SC01-132	SCREW, Adapter.....	2

√ Recommended Parts

FIGURE & ITEM NO.	PART NUMBER	DESCRIPTION	UNITS PER ASSY
3-15		DRAIN VALVE ASSEMBLY (Electric Model)	
1		TOP ASSEMBLY, Pot and Counter- See chart on next page	1
2	18816	NIPPLE, Pipe	1
3	16239	ELBOW	1
4	18816	NIPPLE, Pipe	1
7		NIPPLE, Drain Extension- See chart on next page.....	1
8	17261	BODY, Drain Valve (SN: FB099IH and above).....	1
8	55152	ASSY, Drain Valve and Coupling (SN: FB098IH and below)	1
9	18818	ROD, Drain Valve Extension - Normally Closed	1
9	66123	ROD, Drain Valve Extension - Normally Open	1
9	44907	ROD, Drain Valve Extension - 561 (Before 11-12-02)	1
10	16293	COVER, Valve Handle	1
11		BRACKET, Filter & Drain Rod - See chart on next page ..	1
12	SC03-005	SCREW, Drain Valve Bracket	2
√ 13	18227	MICROSWITCH	1
14	SC01-058	SCREW, Microswitch	2
15	NS02-005	NUT, Microswitch	2
16	18528	COVER, Microswitch	1
16		COVER, Microswitch - 561 - See chart on next page	1
17	EF02-004	BUSHING, Snap	1
18	17255	PIN, Cotter.....	2
19*	59964	INSULATION, Front Panel - 561 (500 elements).....	1
20*	59956	INSULATION, Right Side Panel - 561 (500 elements)	2
21*	55412	INSULATION, Rear Panel - 561 (500 elements).....	1
22*	59955	SHROUD, Control Panel-Rear - 561 (500 elements)	1
23*	55417	INSULATION, Rear Panel - 561 (500 elements).....	1
24*	59957	INSULATION, Side Panel - 561 (500 elements)	2
25*	63339	INSULATION, Front Panel - 561 (500 elements).....	1
√ 26*	14653	KIT, PFE500 Norm Open Drain Switch.....	1

√ Recommended Parts

*not shown

Frypot & Drain Valve Assembly

Serial Number	Description	500	561
KB020JJ & Below	Bracket - Drain Rod	18419	-
	Drain Extension	18817	-
	Pot & Countertop	18921	-
KB029JJ & Below	Bracket - Drain Rod	-	44847
	Pot & Countertop	-	56071
	Pot & Countertop w/Firebar	-	44455
	Drain Switch Cover	-	48033
KB021JJ to HB013JB	Bracket - Drain Rod	63193	-
	Drain Extension	18817	-
	Pot & Countertop	65025	-
	Pot & Countertop(Pollo Campero)	65027	
KB030JJ to HB016JB	Bracket - Drain Rod	-	59958
	Pot & Countertop	-	65198
	Front Panel	-	56974
	Drain Switch Cover	-	59954
HB014JB & Above	Bracket - Drain Rod	23917	-
	Drain Extension & Deflector	24633	-
	Pot & Countertop	65025	-
	Pot & Countertop(Pollo Campero)	65027	
	Frame Assy(short)	23679	-
	Frame Assy(long)	26854	-
HB017JB & Above	Bracket - Drain Rod	-	23756
	Drain Extension & Deflector	-	24638
	Pot & Countertop	-	65024
	Frame Assy(short)	-	23679
	Frame Assy(long)	-	26854
	Drain Switch Cover	-	23757

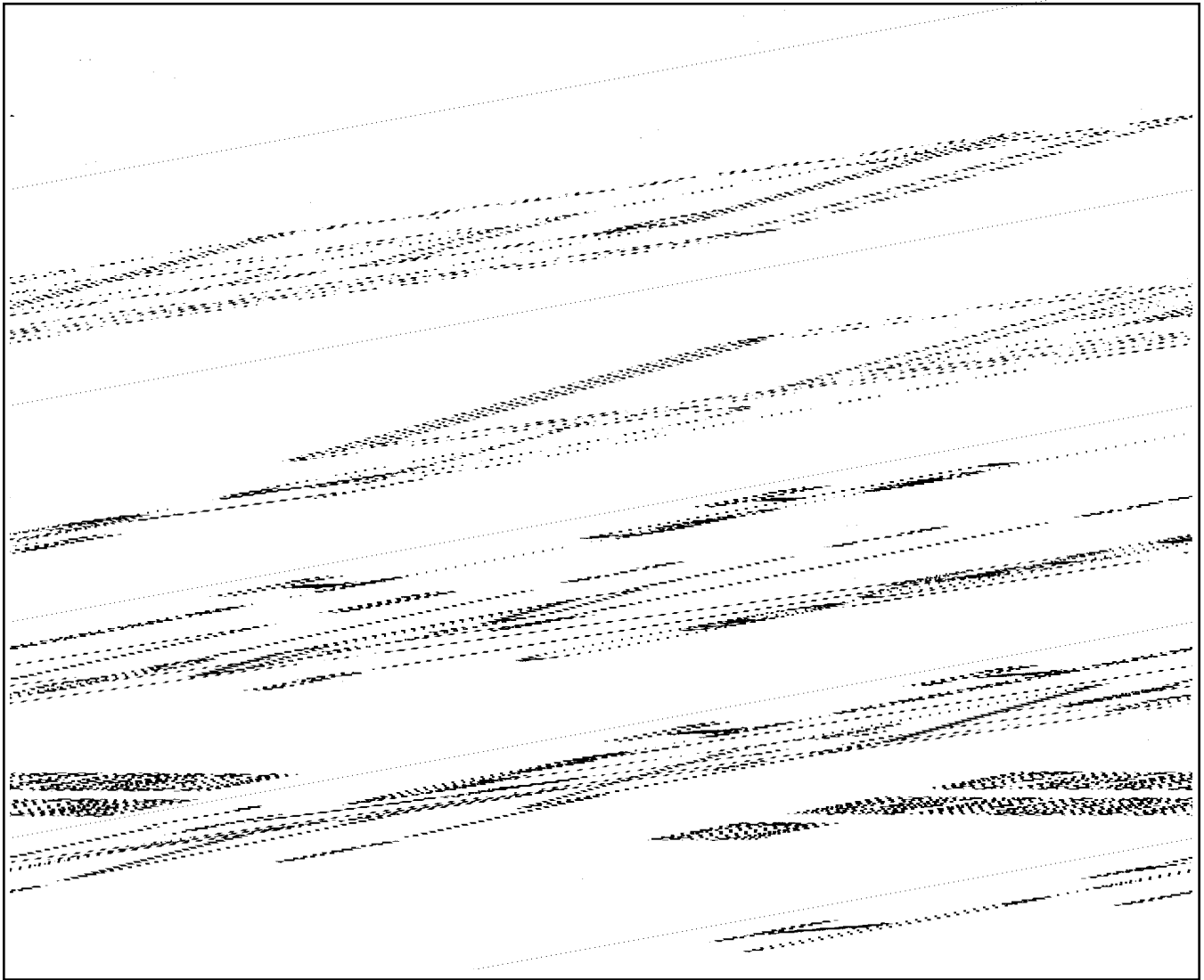


Figure 3-16. Drain Valve Assembly (Gas Model)

FIGURE & ITEM NO.	PART NUMBER	DESCRIPTION	UNITS PER ASSY
3-16		DRAIN VALVE ASSEMBLY (Gas Model)	
1	17261	BODY, Drain Valve (June 1998 and above)	1
1	55152	ASSY, Drain Valve & Coupling (May 1998 & below).	1
2	17210	COVER, Microswitch	1
√ 3	18227	MICROSWITCH	1
4	SC01-058	SCREW, Microswitch	2
5	NS02-005	NUT, Microswitch	2
6	17211	BRACKET, Drain, Valve Rod	1
7	SC03-005	SCREW, Drain Bracket	2
8	17254	ROD, Drain Valve - Normally Closed	1
8	67661	ROD, Drain Valve - Normally Open	1
9	16293	COVER, Valve Handle	1
10	18644	CONNECTOR, 90° Flexible Conduit	1
		(Includes Nut)	
11	18105	INSULATOR	2
12	17214	CONDUIT, Flexible	1
13	18111	CONNECTOR, Flexible Conduit	1
		(Includes Nut)	
14	18819	EXTENSION NIPPLE (SN: KA020JJ and below) ...	1
14	18817	EXTENSION NIPPLE (SN: KA021JJ to GA085JB)	1
14	24647	EXTENSION & DEFLECTOR.....	1
		(SN: GA086JB and above)	
15	17255	PIN, Cotter	2
√ 16*	14652	KIT, PFG600 Norm Open Drain Switch.....	1

√ Recommended / * not shown

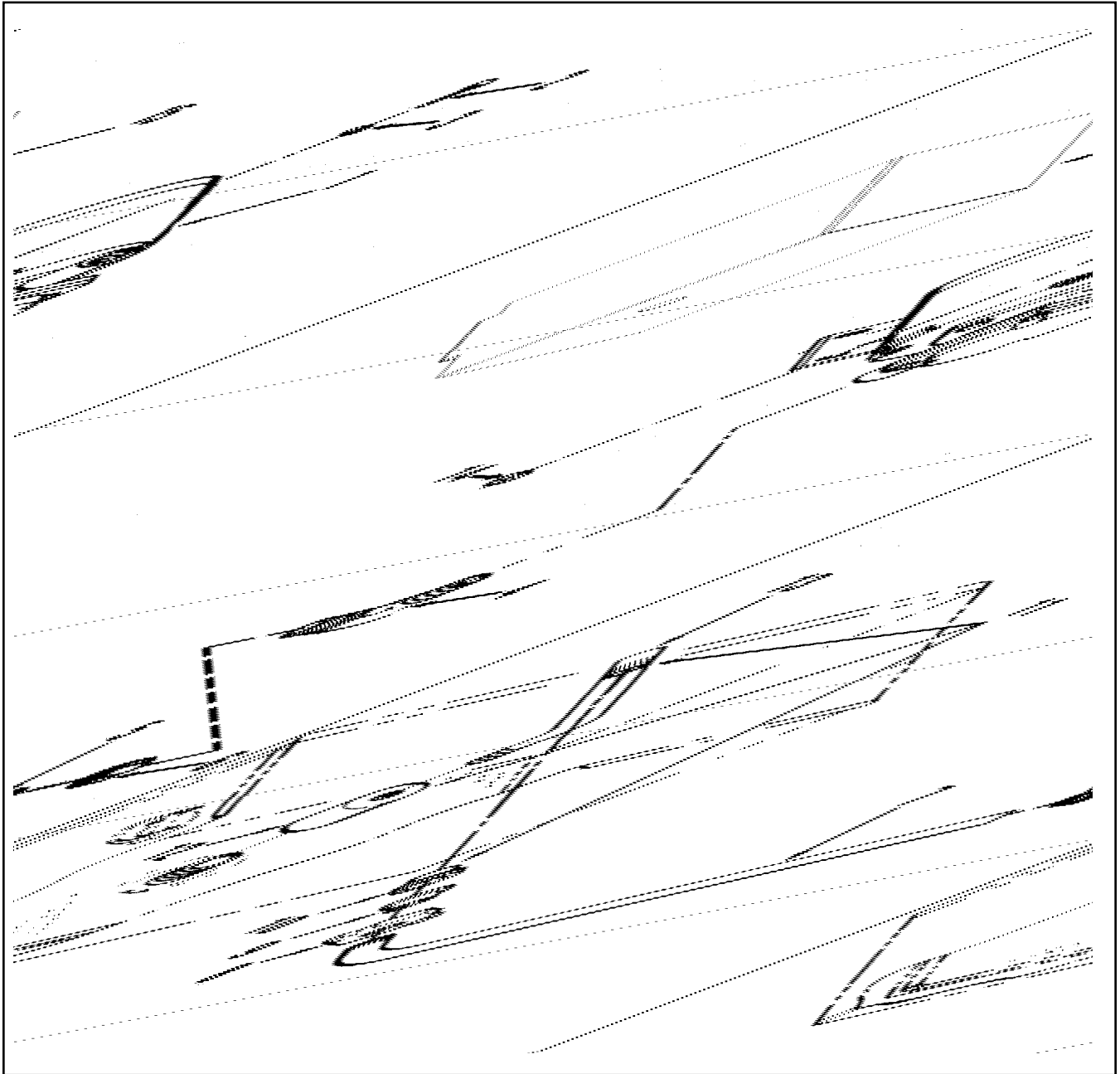


Figure 3-17. Lower Filter Plumbing Components (Gas or Electric Model)

FIGURE & ITEM NO.	PART NUMBER	DESCRIPTION	UNITS PER ASSY
3-17		LOWER FILTER PLUMBING COMPONENTS (Gas or Electric Model)	
1	67589	MOTOR AND PUMP, Filter.....	1
√	67583	MOTOR Only - 1/2 Horse Power.....	1
	17437	PUMP Only.....	1
√	17476	SEAL KIT, Pump.....	1
2	SC01-022	SCREW, Motor.....	8
3	WA01-002	WASHER.....	8
4	17407	CONNECTOR, Male Elbow.....	1
5	16808	FITTING, Sleeve.....	1
6	16809	NUT Fitting.....	1
7		PUMP RETURN TUBE- See chart next page	1
√ 8	17432(use 69289)	FITTING, Union Handle.....	1
√ 9	17431(use 69289)	FITTING, Male Union.....	1
√ 10	17430(use 69289)	FITTING, Female Union (Also included with item 11).....	1
11		STANDPIPE ASSY, Filter Screen- See chart next page	1
12	65208	NUT, Filter Screen.....	1
13		TUBING- See chart next page	1
14	NS02-002	NUT, Motor.....	4
15		SHIELD, Motor Splash-CE- See chart next page	1
16*	14064	KIT, KFC Filter.....	1
	17225	GRID, KFC Filter.....	1
	17226	CLIP, Filter.....	1
	17228	FITTING, Male Filter.....	1
	17229	FITTING, Female Filter.....	1

√ Recommended Parts

*not shown

Lower Filter Plumbing Components

SN	Description	500	561	600
KB020JJ &	Standpipe Assy	19102	-	-
Below	Standpipe Tube	19101	-	-
	Pump Return Tube Assy	16812 (includes 16808 & 16809)	-	-
	Pump Return Tube	64331 (use if pan has cover)	-	-
	Motor Splash Shield-CE	55281	-	-
KB029JJ &	Standpipe Assy	-	19102	-
Below	Standpipe Tube	-	19101	-
	Pump Return Tube Assy	-	16812 (includes 16808 & 16809)	-
	Pump Return Tube	-	64331 (use if pan has cover)	-
KA020JJ &	Standpipe Assy	-	-	17433
Below	Standpipe Tube	-	-	55367
	Pump Return Tube Assy	-	-	16812 (includes 16808 & 16809)
	Pump Return Tube	-	-	64331 (use if pan has cover)
	Motor Splash Shield-CE	-	-	55281
KB021JJ to	Standpipe Assy	14732	-	-
HB013JB	Standpipe Tube	70061	-	-
	Pump Return Tube	58877	-	-
	Motor Splash Shield-CE	59731	-	-
KB030JJ to	Standpipe Assy	-	14732	-
HB016JB	Standpipe Tube	-	70061	-
	Pump Return Tube	-	58877	-
KA021JJ to	Standpipe Assy	-	-	14732
GA085JB	Standpipe Tube	-	-	70061
	Pump Return Tube	-	-	58877
	Motor Splash Shield-CE	-	-	59731
HB014JB &	Standpipe Assy	14659	-	-
Above	Standpipe Tube	23951	-	-
	Pump Return Tube Assy	23800 (includes 16808 & 16809)	-	-
	Motor Splash Shield-CE	24644	-	-
HB017JB &	Standpipe Assy	-	14659	-
Above	Standpipe Tube	-	23951	-
	Pump Return Tube Assy	-	23800 (includes 16808 & 16809)	-
GA086JB &	Standpipe Assy	-	-	14664
Above	Standpipe Tube	-	-	24284
	Pump Return Tube Assy	-	-	23800 (includes 16808 & 16809)
	Motor Splash Shield-CE	-	-	24644

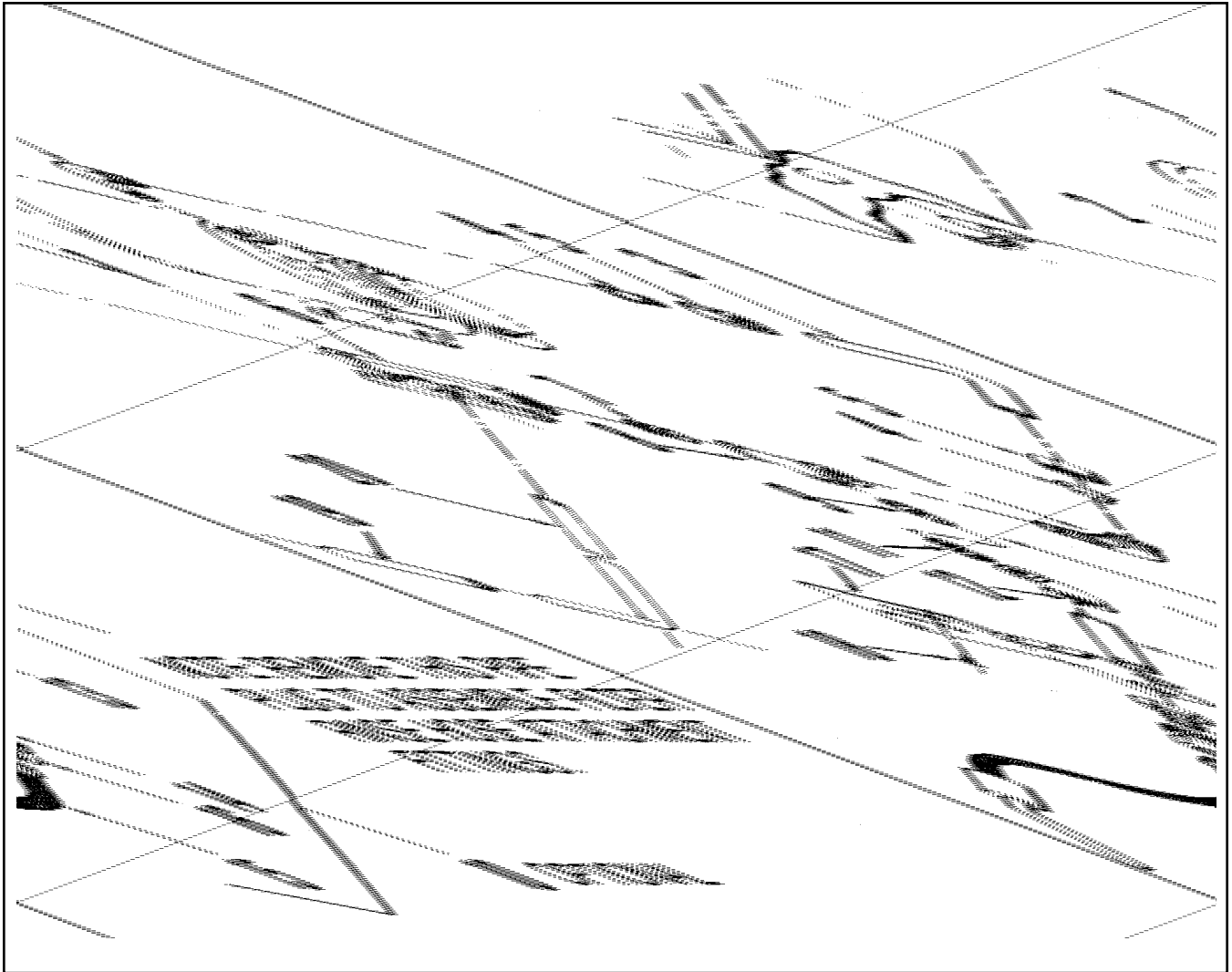


Figure 3-18. Upper Filter Plumbing Components

FIGURE & ITEM NO.	PART NUMBER	DESCRIPTION	UNITS PER ASSY
3-18		UPPER FILTER PLUMBING COMPONENTS	
1	17407	CONNECTOR, Male Elbow	2
2	17255	PIN, Cotter, Valve	1
3		TUBING, Stainless Steel- See chart next page	1
4	16808	FITTING, Sleeve	2
5	16809	NUT, Fitting.....	2
√ 6	17308	VALVE ASSEMBLY, Filter	1
7	FP02-001	NIPPLE, Close.....	1
8	17306	TEE, Pipe	1
9	FP01-015	PLUG, Pipe.....	1
10	03001	HOSE ASSY, Filter Rinse Optional (models 500/561) ...	1
10	03002	HOSE ASSY, Filter Rinse Optional (models 600).....	1
11	FP02-007	NIPPLE, Pipe.....	1
12	17319	ELBOW, Pipe.....	1
13		NIPPLE, Rinse Hose Pipe- See chart next page	1
14	17334	FITTING, Rinse Hose Disconnect, Male	1
15	03003	HOSE, Filter Rinse	1
16	17333	FITTING, Rinse Hose Disconnect - Female.....	1
17		BRACKET, Rinse Hose- See chart next page	1
18	SC03-005	SCREW, Rinse Hose Bracket	2
19	16293	COVER, Valve Rod	1
20	17311	ROD, Filter Valve Extension (model 600).....	1
20	18911	ROD, Filter Valve Extension (models 500/561).....	1
20	50646	ROD, Filter Valve Extension	1
		(model 561 SN: HB013JB & below)	
21*	03601	KIT, Shuttle Conversion - model 500	1
22*	03602	KIT, Shuttle Conversion - model 600	1

√ Recommended Parts

*not shown

Pump to Valve Tube

SN	Description	500	561	600
KB020JJ & Below	Pump to Valve Tube	18904	-	-
	Rinse Hose Pipe Nipple	17320	-	-
	Filter Valve & Rinse Hose Brkt	18419		
KB029JJ & Below	Pump to Valve Tube	-	44911	-
	Rinse Hose Pipe Nipple	-	17320	
	Filter Valve & Rinse Hose Brkt		44847	
KA020JJ & Below	Pump to Valve Tube	-	-	17329
	Rinse Hose Pipe Nipple	-	-	17320
	Filter Valve & Rinse Hose Brkt			17224
KB021JJ to HB013JB	Pump to Valve Tube	63134	-	-
	Rinse Hose Pipe Nipple	17320	-	-
	Filter Valve & Rinse Hose Brkt	63193		
KB030JJ to HB016JB	Pump to Valve Tube	-	63134	-
	Rinse Hose Pipe Nipple	-	17320	-
	Filter Valve & Rinse Hose Brkt		59958	
KA021JJ to GA085JB	Pump to Valve Tube	-	-	63246
	Rinse Hose Pipe Nipple	-	-	17320
	Filter Valve & Rinse Hose Brkt			17224
HB014JB & Above	Pump to Valve Tube	27405	-	-
	Rinse Hose Pipe Nipple	24982	-	-
	Filter Valve & Rinse Hose Brkt	23917		
HB017JB & Above	Pump to Valve Tube	-	26217	-
	Rinse Hose Pipe Nipple	-	24982	-
	Filter Valve & Rinse Hose Brkt		23756	
GA086JB & Above	Pump to Valve Tube	-	-	27456
	Rinse Hose Pipe Nipple	-	-	24982
	Filter Valve & Rinse Hose Brkt			24958

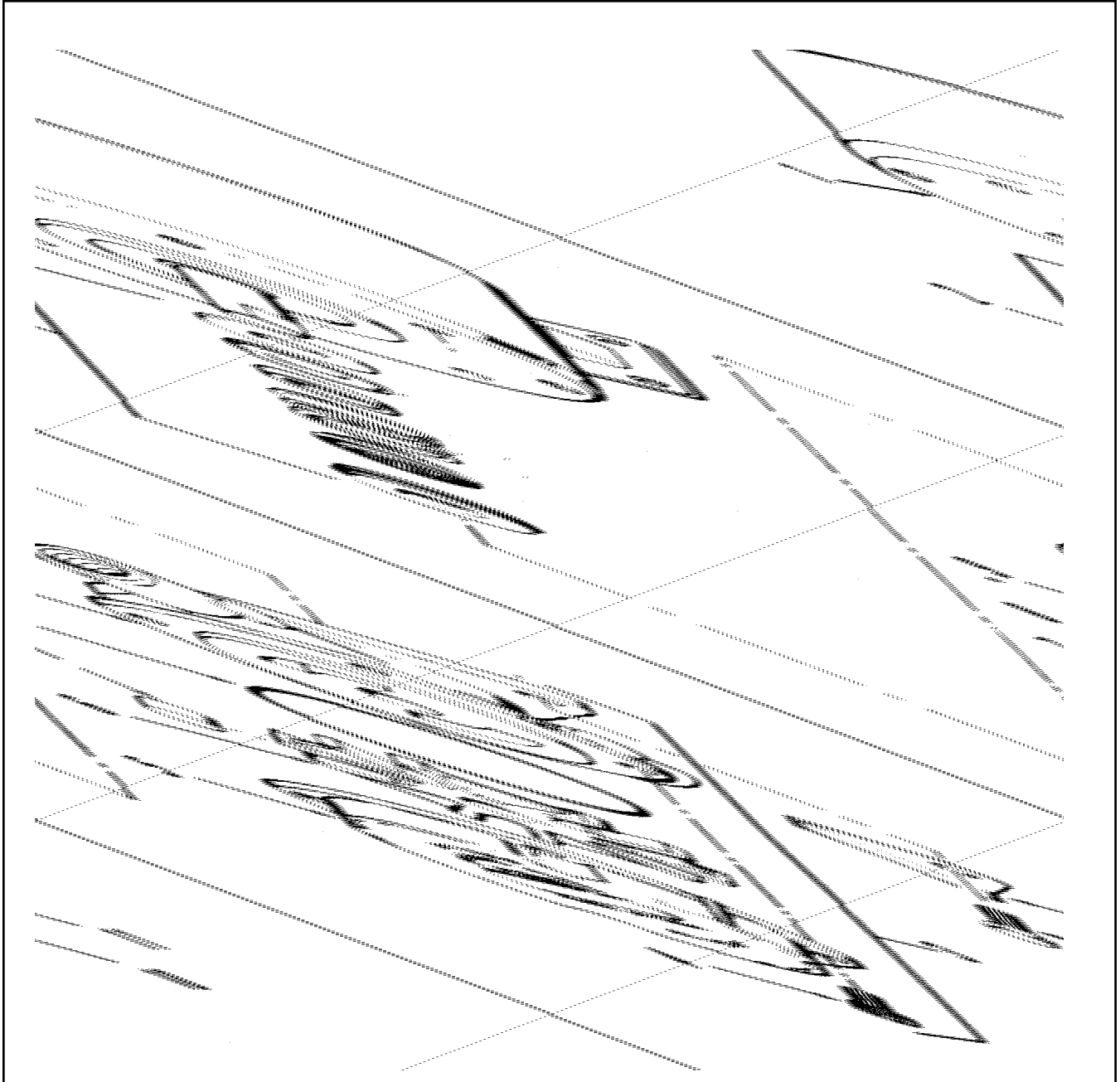


Figure 3-19. Filter Motor and Pump

FIGURE & ITEM NO.	PART NUMBER	DESCRIPTION	UNITS PER ASSY
3-19		FILTER MOTOR AND PUMP	
√ 1	67583	MOTOR, 1/2 HP - 50/60 Hz	1
√ 2	17476	SEAL KIT	1
3	17437	PUMP ASSEMBLY.....	1
√ 4	SC01-132	SCREW, Pump Cover	1
√ 5	17451	COVER, Pump	1
√ 6	17447	ROTOR, Pump	1
√ 7	17446	ROLLER, Pump	5
√ 8	17453	O-RING	1
√ 9	17454	BODY, Pump.....	1
√ 10	17456	SHIELD, Pump	2
√ 11	SC01-026	SCREW, Pump Shield.....	1

√ Recommended Parts

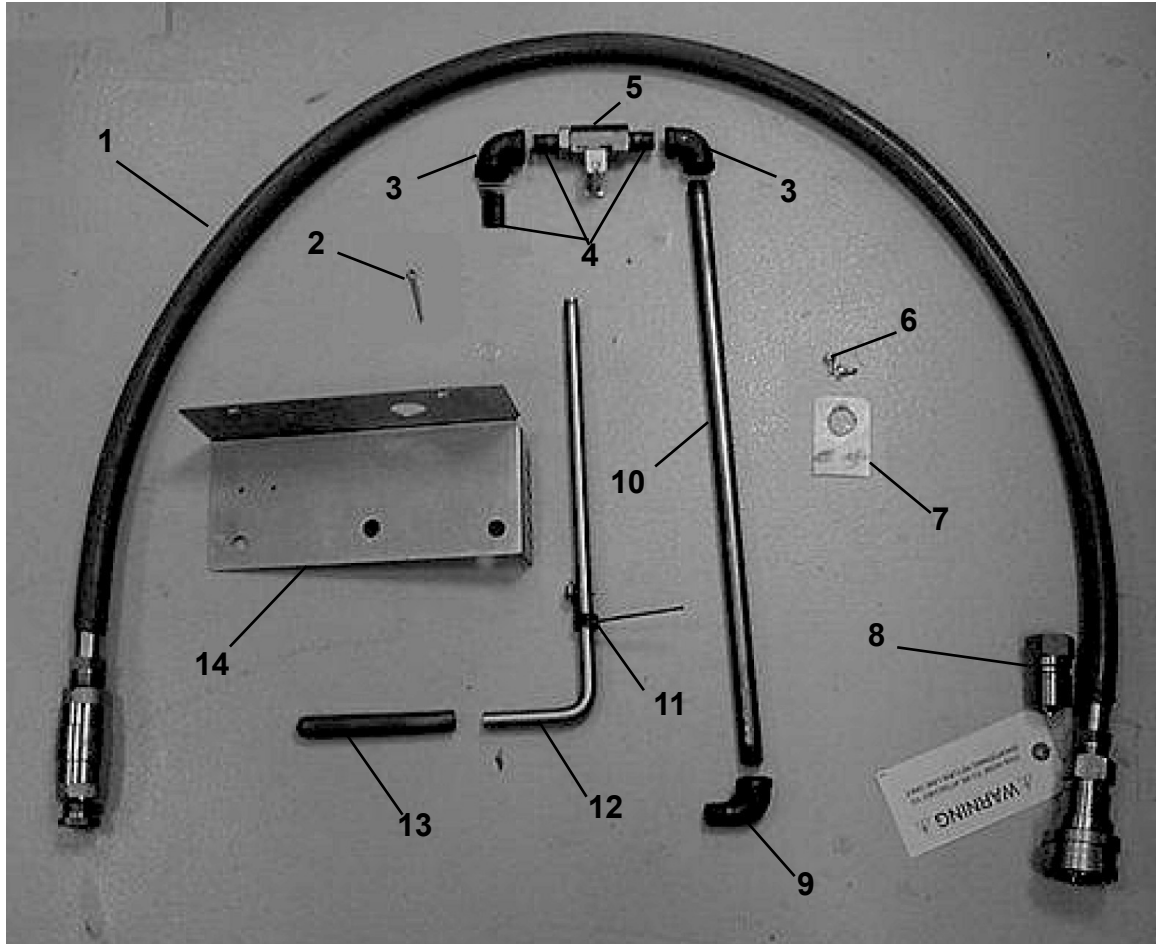


FIGURE & ITEM NO.	PART NUMBER	DESCRIPTION	UNITS PER ASSY
3-20		DIRECT-CONNECT ASSEMBLY - MODEL 500	
1	65139	ASSY, Direct-Connect Hose	1
2	17255	PIN, Cotter	1
3	17319	ELBOW, Pipe.....	2
4	FP02-024	NIPPLE, 3/8 NPT Close BI	3
√ 5	17308	VALVE, Filter	1
6	SC03-005	SCREW, SD #8 x 1/2 PH PHD	2
7	32504	ASSY, Shortening Mgt. Brkt.....	1
8	21611	DISCONNECT, Male	1
9	FP01-114	ELBOW, Street - 3/8 NPT BI.....	2
10	FP02-055	NIPPLE, - 3/8 x 18 LG BI	1
11	21874	SPRING, Shortening Mgt.	1
12	32723	ROD, Direct-Connect - 500	1
13	29769	GRIP, Fryer Handle.....	1
14	32526	BRACKET, Drain Rod - 500	1
15*	14369	KIT, Direct-Connect (SN: KB020JJ & below)	1
15*	14365	KIT, Direct-Connect (SN: KB021JJ to HB013JB	1
15*	14425	KIT, Direct-Connect (SN: HB014JB & above)	1
15*	14696	KIT, Direct-Connect-No Hose (SN: HB014JB & above).....	1

√ Recommended Parts/*not shown

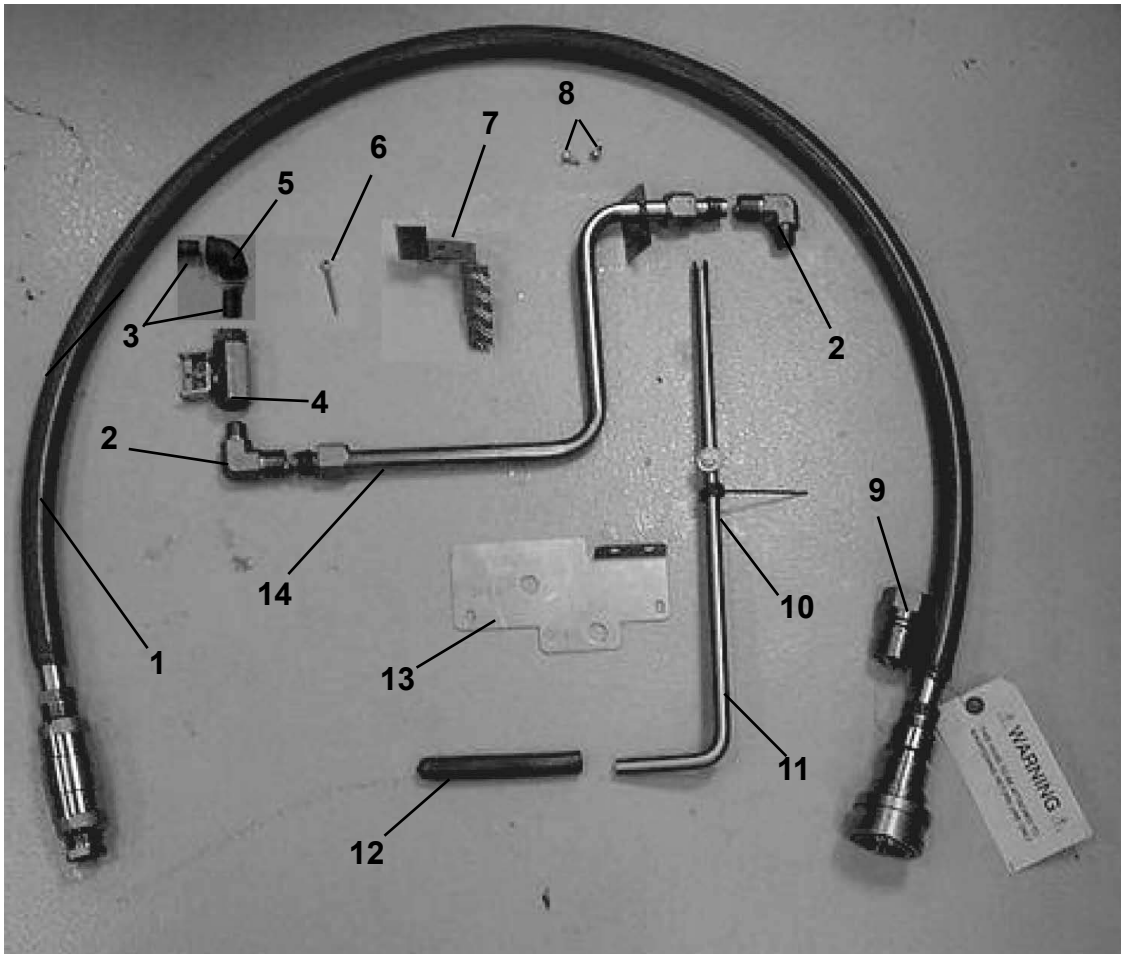


FIGURE & ITEM NO.	PART NUMBER	DESCRIPTION	UNITS PER ASSY
3-21		DIRECT-CONNECT ASSEMBLY - MODEL 600	
1	65139	ASSY, Direct-Connect Hose	1
2	FP01-079	ELBOW, 5/8 Tube - 3/8 NPT Male.....	2
3	FP02-024	NIPPLE, 3/8 NPT Close B. I.	2
√ 4	17308	VALVE, Filter	1
5	17319	ELBOW, Pipe.....	1
6	17255	PIN, Cotter	1
7	24641	ASSY, Shortening Mgt. Brkt.....	1
8	SC03-005	SCREW, SD #8 x 1/2 PH PHD	2
9	21611	DISCONNECT, Male	1
10	21874	SPRING, Shortening Mgt.	1
11	32722	ROD, Direct-Connect - 600	1
12	29769	GRIP, Fryer Handle.....	1
13	32557	BRACKET, Drain Rod - 600	1
14	32648	ASSY, Direct-Connect Tube - 600	1
15*	14370	KIT, Direct-Connect (SN: KA020JJ & below).....	1
15*	14366	KIT, Direct-Connect (SN: KA021JJ to GA085JB	1
15*	14426	KIT, Direct-Connect (SN: GA086JB & above).....	1

√ Recommended. Parts/*not shown

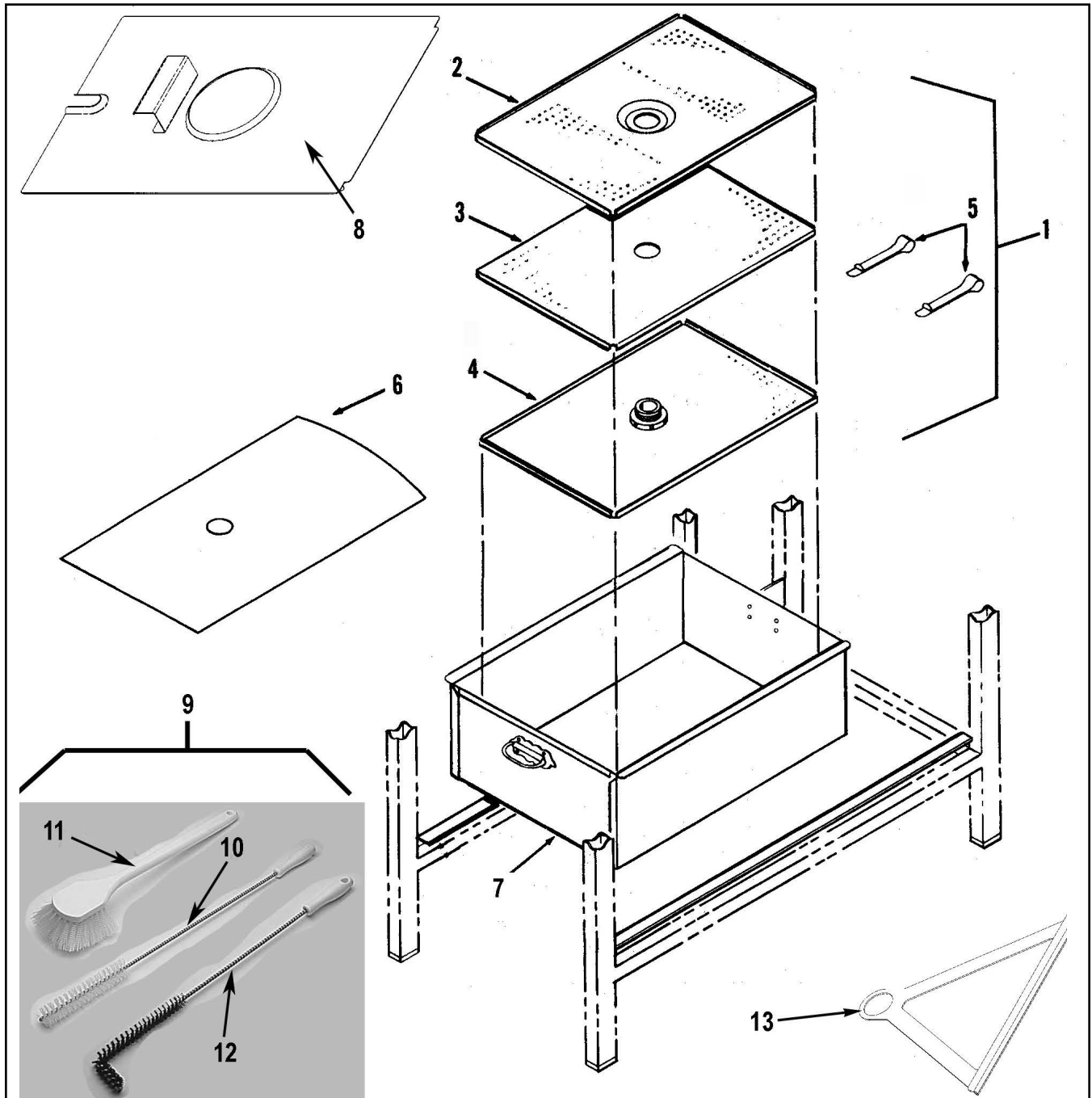


Figure 3-22. Filter Drain Pan and Filter Screen Assembly

FIGURE & ITEM NO.	PART NUMBER	DESCRIPTION	UNITS PER ASSY
3-22		FILTER DRAIN PAN AND FILTER SCREEN ASSEMBLY	
1	14671	KIT, GM Filter Screens- See chart on next page	1
1	14672	KIT, Wendy's Filter Screens- See chart on next page	1
2	65211	CATCHER, Crumb - SS	1
3	NLA	SCREEN, Top Filter	1
4	use 14671 or 14672	SCREEN, Bottom Filter(SN: AA0503097 & below-500/561) (SN: AN0503086 & below-600)	1
4	65447	SCREEN, Bottom Filter - SS (SN: AA0503098 & above-500/561) (also see #16 below) (SN: AN0503087 & above-600)	1
5	17505	CLIPS, Filter Envelope	2
√ 6	12102	FILTER, Envelope Paper (100 per carton)	1
√ 6	24262	CARBON PAD, Filter Envelope (30 per carton)	1
√ 6	24263	CARBON, Filter Envelope (30 per carton)	1
7		PAN, Filter Drain Assembly- See chart on next page	1
7	23499	PAN, Filter Drain Assy. (CFA- SN: JB095JA to HB013JB) ..	1
8		COVER, Filter Drain Pan- See chart on next page	1
8	32627	COVER, Filter Drain Pan-Malyasia	1
8	69294	COVER, Storage - PFE-500	1
8	69296	COVER, Storage - PFG-600	1
8		KIT, Cover/Drain Extension- See chart on next page	1
√ 9	14461	KIT, Brush Set	1
10	12112	BRUSH, Straight White	1
11	12116	BRUSH, Fryer - Gong - Long Handle.....	1
12	12126	BRUSH, Black L Tipped	1
13	63102	Sealer Bar - Wendy's	1
13	62116	Sealer Bar - Gen. Market.....	1
14*		FILTER PAN DOLLY- See chart on next page	1
15*	14895	KIT - SPCL SHORT FLTR KFC/FALCON	1
16*	65208	NUT - FILTER - FEMALE (Use with item 4 above).....	1

√ Recommended Parts
 *not shown
 NLA - No Longer Available

Filter Screen Kits

	65211	65447	17505	65208	63102
14671-GM	1	1	2	1	-
14672-Wendy's	-	1	-	1	1

Standard Filter Pan & Cover Assys.

SN	Description	500	561	600
KB020JJ & Below	Pan Cover	18915	-	-
	Pan	19206	-	-
	Pan Dolly	03387	-	-
KB029JJ & Below	Pan Cover	-	18915	-
	Pan	-	19206	-
	Pan Dolly	-	03387	-
KA020JJ & Below	Pan Cover	-	-	17512
	Pan	-	-	17506
	Pan Dolly	-	-	03352
KB021JJ to BB016JA	Pan Cover	64024	-	-
	Pan	58848	-	-
	Pan Dolly	03389	-	-
	Cover/Drain Ext. Kit	14414		
KB030JJ to BB055JA	Pan Cover	-	64025	-
	Pan	-	63203	-
	Pan Dolly	-	03390	-
	Cover/Drain Ext. Kit		14414	
KA021JJ to BA026JA	Pan Cover	-	-	64023
	Pan	-	-	58848
	Pan Dolly	-	-	03389
BB017JA to HB013JB	Pan Cover	64021	-	-
	Pan	64014	-	-
	Pan Dolly	03391	-	-
	Cover/Drain Ext. Kit	14415		
BB056JA to HB016JB	Pan Cover	-	64022	-
	Pan	-	64015	-
	Pan Dolly	-	03392	-
	Cover/Drain Ext. Kit		14415	
BA027JA to GA085JB	Pan Cover	-	-	64020
	Pan	-	-	64014
	Pan Dolly	-	-	03391
HB014JB & Above	Pan Cover	68065	-	-
	Pan	24702	-	-
	Pan Dolly	03343	-	-
HB017JB & Above	Pan Cover	-	68065	-
	Pan	-	24702	-
	Pan Dolly	-	03343	-
GA086JB & Above	Pan Cover	-	-	68066
	Pan	-	-	17506
	Pan Dolly	-	-	03352

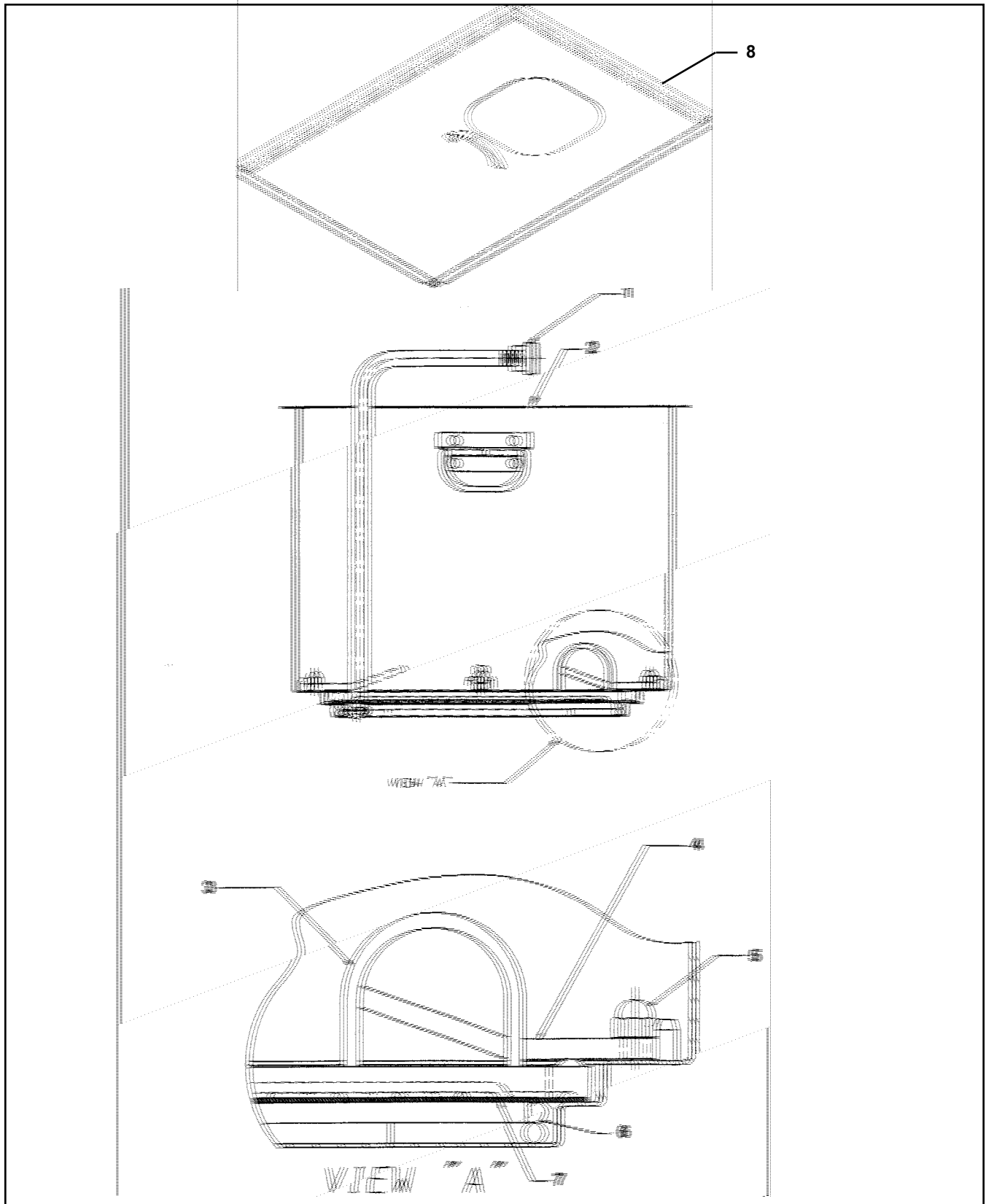


Figure 3-23. Supersorb Filter Assembly - Before 3-1-02

FIGURE & ITEM NO.	PART NUMBER	DESCRIPTION	UNITS PER ASSY
3-23		Supersorb Filter Assembly - Before 3-1-02	
√ 1	17430(use 69289)	UNION, Female Fitting.....	1
2		FILTER PAN ASSEMBLY -See chart below	1
3	70561	FILTER CLAMP RING w/Screw	1
4	36596	HANDLE, Filter Lock.....	4
5	NS03-023	NUT, 1/4-20 Acorn Cap	4
6	30944	SUPPORT, Filter Pad	1
√ 7	12186	CHARCOAL FILTER PAD	1
8		COVER - FILTER PAN ASSY-See chart below.....	1
9*		FILTER PAN DOLLY (4 & 6 hd)-See chart below	1
10*	19004	Casters	4

√ Recommended Parts / *not shown

SN	Description	500	561	600
KB020JJ & Below	Pan Dolly	03388	-	-
	Pan Cover	54008	-	-
	Pan Assy	140028	-	-
KB029JJ & Below	Pan Dolly	-	03388	-
	Pan Cover	-	54008	-
	Pan Assy	-	140028	-
KA020JJ & Below	Pan Dolly	-	-	03388
	Pan Cover	-	-	54538
	Pan Assy	-	-	140034
KB021JJ to BB016JA	Pan w/Casters	NLA	-	-
	Pan w/o Casters	140035	-	-
KB030JJ to BB055JA	Pan w/Casters	-	NLA	-
	Pan w/o Casters	-	140036	-
KA021JJ to BA026JA	Pan w/Casters	-	-	NLA
	Pan w/o Casters	-	-	140035
BB017JA to HB013JB	Pan w/Casters	NLA	-	-
	Pan w/o Casters	140037	-	-
BB056JA to HB016JB	Pan w/Casters	-	NLA	-
	Pan w/o Casters	-	140038	-
BA027JA to GA085JB	Pan w/Casters	-	-	NLA
	Pan w/o Casters	-	-	140037
HB014JB & Above	Pan Dolly	03343	-	-
	Pan Cover	24627	-	-
	Pan Assy	24702	-	-
HB017JB & Above	Pan Dolly	-	03343	-
	Pan Cover	-	24627	-
	Pan Assy	-	24702	-
GA086JB & Above	Pan Dolly	-	-	03352
	Pan Cover	-	-	68066
	Pan Assy	-	-	17506

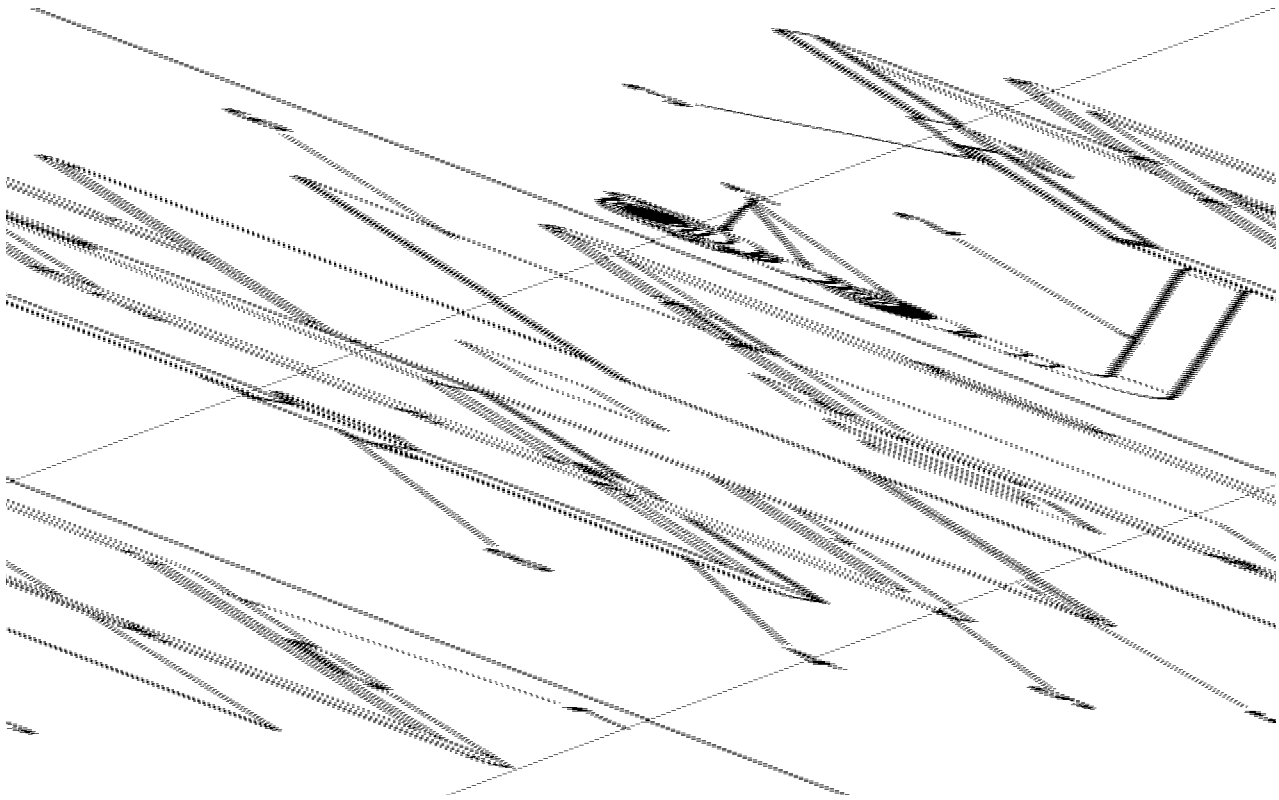
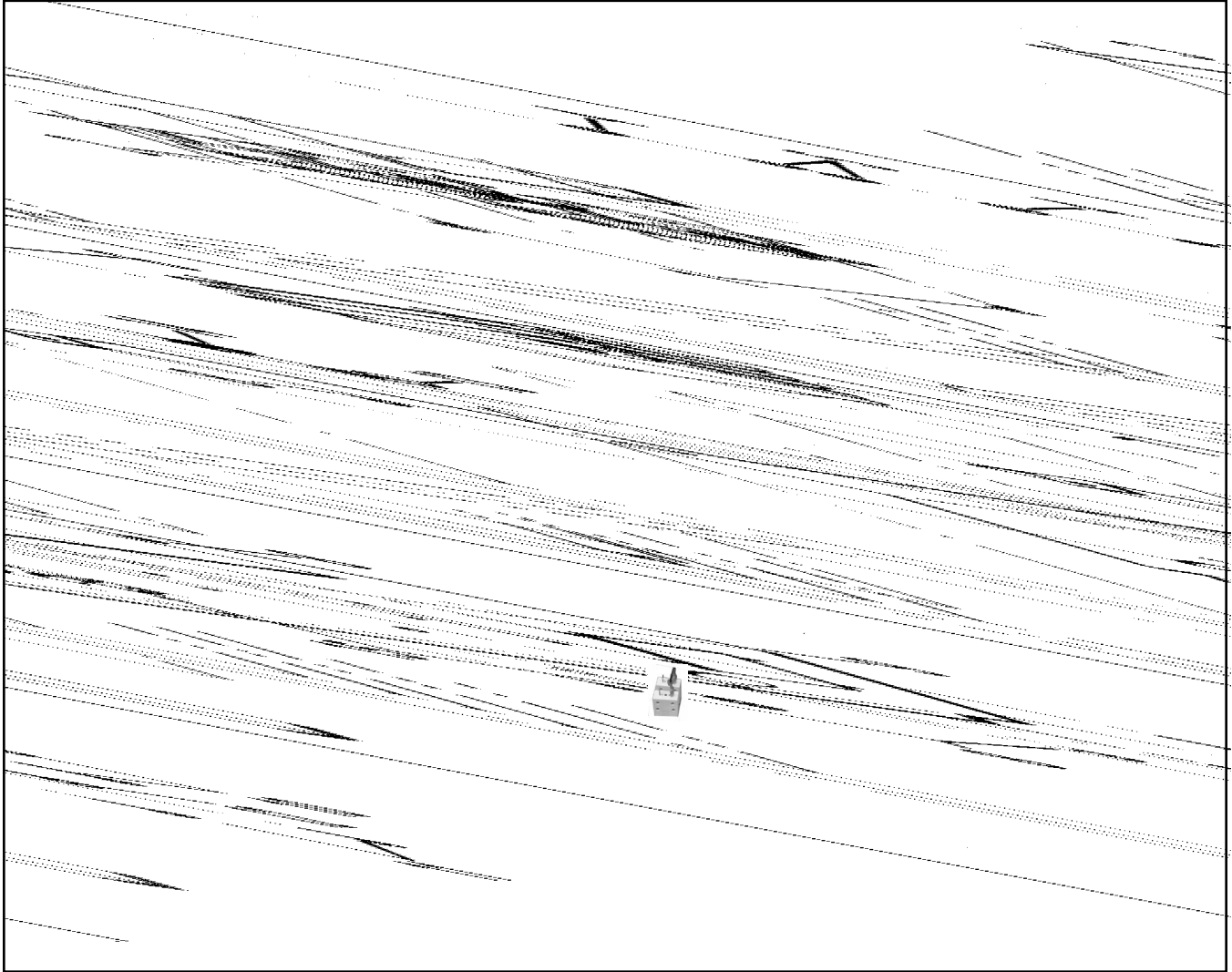


FIGURE & ITEM NO.	PART NUMBER	DESCRIPTION	UNITS PER ASSY
3-24		Supersorb Filter Assembly - 3-1-02 and After	
	14423	KIT, 500/561 Supersorb Assy (Includes 1, 2A, 3-7, 8B, & 9)	1
	14424	KIT, 600 Supersorb Assy (Includes 1, 2B, 3-7, 8B, & 9)	1
√ 1	69289	ASSY, Filter Union	1
2A	23951	TUBE D.U.to Filter-Electric	1
2B	24284	TUBE D.U.to Filter-Gas	1
3	SC01-249	SCREW, 8-32 x 3/16 TH SHOULDER	4
4	67948	WELD ASSY, Drain Filter	1
5	66202	WELD ASSY, Filter Section	1
6	12186	CHARCOAL FILTER PAD (carton of 30)	1
7	70585	FILTER CLAMP RING w/o Screw	1
8A	32851	CLIP, Drain Filter (SN: AN0507125 & below-600)	4
		(SN: AA0507115 & below-500/561-below SN: AB0508001)	
8B	67952	CLIP, Short Drain Filter (SN: AN0507126 & above-600)	4
		(SN: AA0507116 & above-500/561-SN: AB0508001 & above)	
9	70721	RING, Filter Retainer Whole (SN: AN0507126 & above-600)	1
		(SN: AA0507116 & above-500/561-SN: AB0508001 & above)	

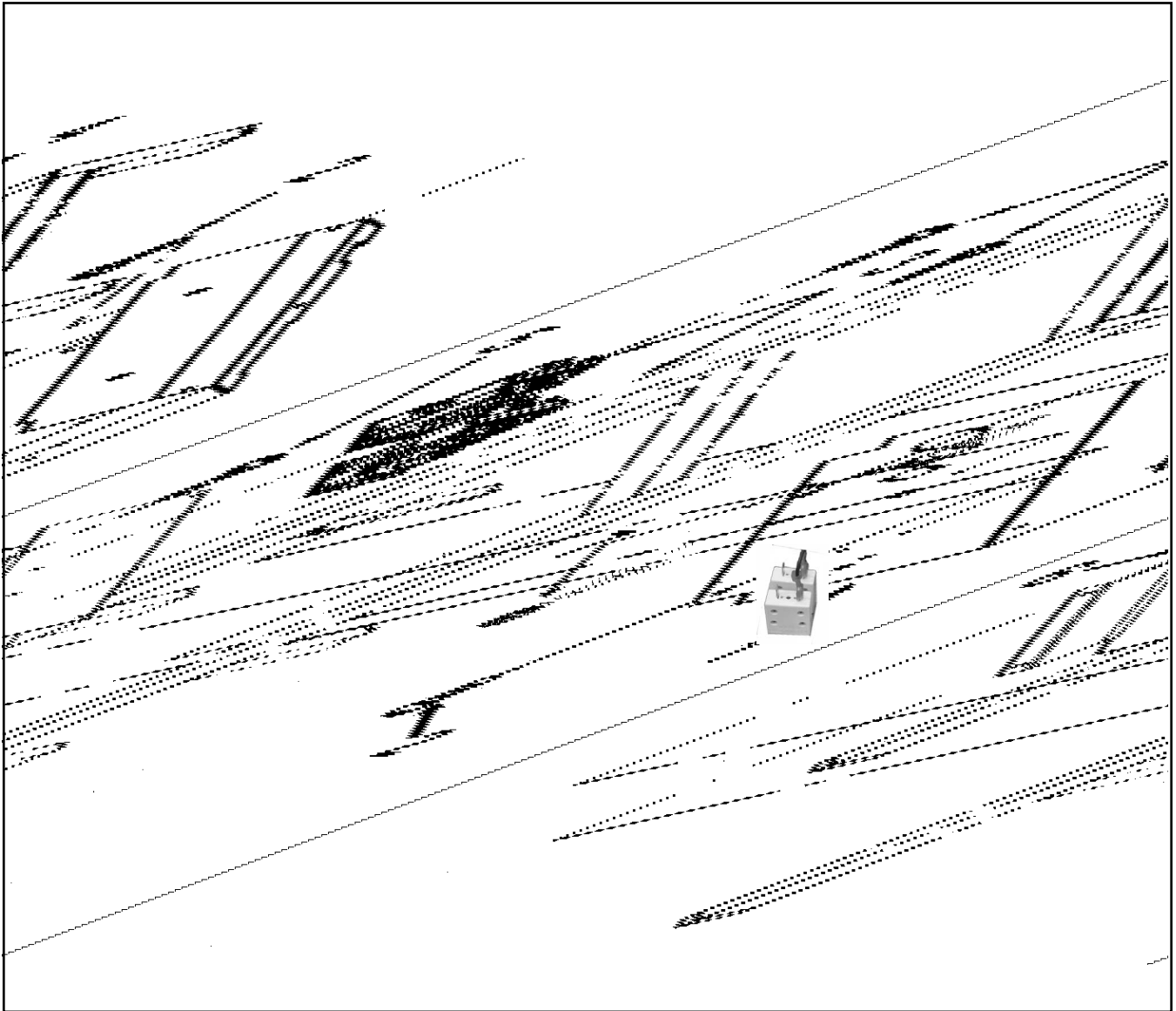
√ Recommended Parts



**Figure 3-25. Contactor and Frame Assembly
(Single Phase Electric Model)**

FIGURE & ITEM NO.	PART NUMBER	DESCRIPTION	UNITS PER ASSY
3-25		CONTACTOR AND FRAME ASSEMBLY, (Single Phase Electric Model)	
1	SC04-003	SCREW	4
√ 2	19405	CONTACTOR	2
2	29942	CONTACTOR, Mercury 208-240 VAC	1
		(Before SN: AA0909048 - 500 or AB0909007 - 561)	
√ 2	65075	CONTACTOR, E/M Heat - Non-CE - 240V	1
		(After SN: AA0909047 - 500 OR AB0909006 - 561)	
√ 2	65074	CONTACTOR - 230 Volt - CE	2
3	18243	BRACKET, Contactor	1
4	NS01-014	NUT, Hex	16
5	WA01-007	WASHER	16
6	LW02-005	LOCKWASHER	8
7	18242	BREAKER, CIRCUIT 50 amp	1
8	SC03-005	SCREW	4
9	18244	SHROUD, Single Phase (KB020JJ & below)	1
9	63226	SHROUD, Single Phase (KB021JJ to HB013JB)	1
9	27418	SHROUD, Single Phase (HB014JB & above)	1
10	SC01-072	SCREW	4
11	SC04-002	SCREW	4
12	SC01-010	SCREW	1
13	EF02-030	CAPILLARY CLAMP	1
14	NS02-005	NUT	1
√ 15	EF02-125	BREAKER, Push-Button Reset (10-23-06 & after)	2
√ 15	18364	ASSY, Fuse Holder - 15 Amp (before 10-23-06)	2
√ 15	EF02-007	FUSE, 15 Amp	2
√ 15	EF02-006	HOLDER, Fuse	2
16*	14033	KIT - 3 Phase to 1 Phase Conversion (KB020JJ & below) ...	1
16*	14677	KIT - 3 Phase to 1 Phase Conversion (KB021JJ to HB013JB)	1
16*	14882	KIT - 3 Phase to 1 Phase w/ Fuses (HB014JB to AA0611084)	1
16*	14678	KIT - 3 Phase to 1 Phase Conversion (AA0611085 & above)	1

√ Recommended Parts
*not shown



**Figure 3-26. Contactor and Frame Assembly
(Three Phase Electric Model)**

FIGURE & ITEM NO.	PART NUMBER	DESCRIPTION	UNITS PER ASSY
3-26		CONTACTOR AND FRAME ASSEMBLY (Three Phase Electric Model)	
1	18514	SHROUD, Three Phase (KB020JJ & below)	1
1	59233	SHROUD, Three Phase (KB021JJ to HB013JB)	1
1	65864	SHROUD, Three Phase - 500 (HB014JB & above)	1
1	65863	SHROUD, CE-Three Phase (HB014JB-AA0605138)	1
1	65269	SHROUD, Three Phase (AA0605139 & above)	1
1	24800	SHROUD, Three Phase - 561 (HB014JB & above)	1
2	SC03-005	SCREW, Shroud	4
√ 3	19405	CONTACTOR - 208-240 Volt	2
3	29942	CONTACTOR, Mercury 208-240 VAC..... (Before SN: AA0909048 - 500 or AB0909007 - 561)	1
√ 3	65075	CONTACTOR, E/M Heat - Non-CE - 240V	1
		(After SN: AA0909047 - 500 OR AB0909006 - 561)	
√ 3	65074	CONTACTOR - 230 Volt - CE	2
4	SC04-002	SCREW, Contactor	4
5	SC01-052	SCREW, 1/4-20 x 3/8 Hex Hd C	2
6	58850	BRACKET, Double Contactor (KB021JJ & Above).....	1
√ 7	EF02-125	BREAKER, Push-Button Reset (10-23-06 & after-domestic) (AA0809149 & after - CE)	2
√ 7	18364	ASSY, Fuse Holder - 15 Amp (before 10-23-06).....	2
√ 7	EF02-007	FUSE, 15 Amp	2
√ 7	EF02-006	HOLDER, Fuse.....	2
√ 7	EF02-105	FUSE, 15 Amp - CE (AA0605139 to AA0809148)	2
√ 7	EF02-104	HOLDER, Fuse - CE (AA0605139 to AA0809148)	2
8*	14034	KIT - 1 Phase to 3 Phase Conversion (KB020JJ & below) ...	1
8*	14679	KIT - 1 Phase to 3 Phase Conversion (KB021JJ to HB013JB)	1
8*	14883	KIT - 1 Phase to 3 Phase w/ Fuses (HB014JB to AA0611084)	1
8*	14680	KIT - 1 Phase to 3 Phase Conversion (AA0611085 & above)	1
8*	140068	KIT - 500 C8000 - 3 Phase to 1 Phase Conversion	1

√ Recommended Parts

*not shown

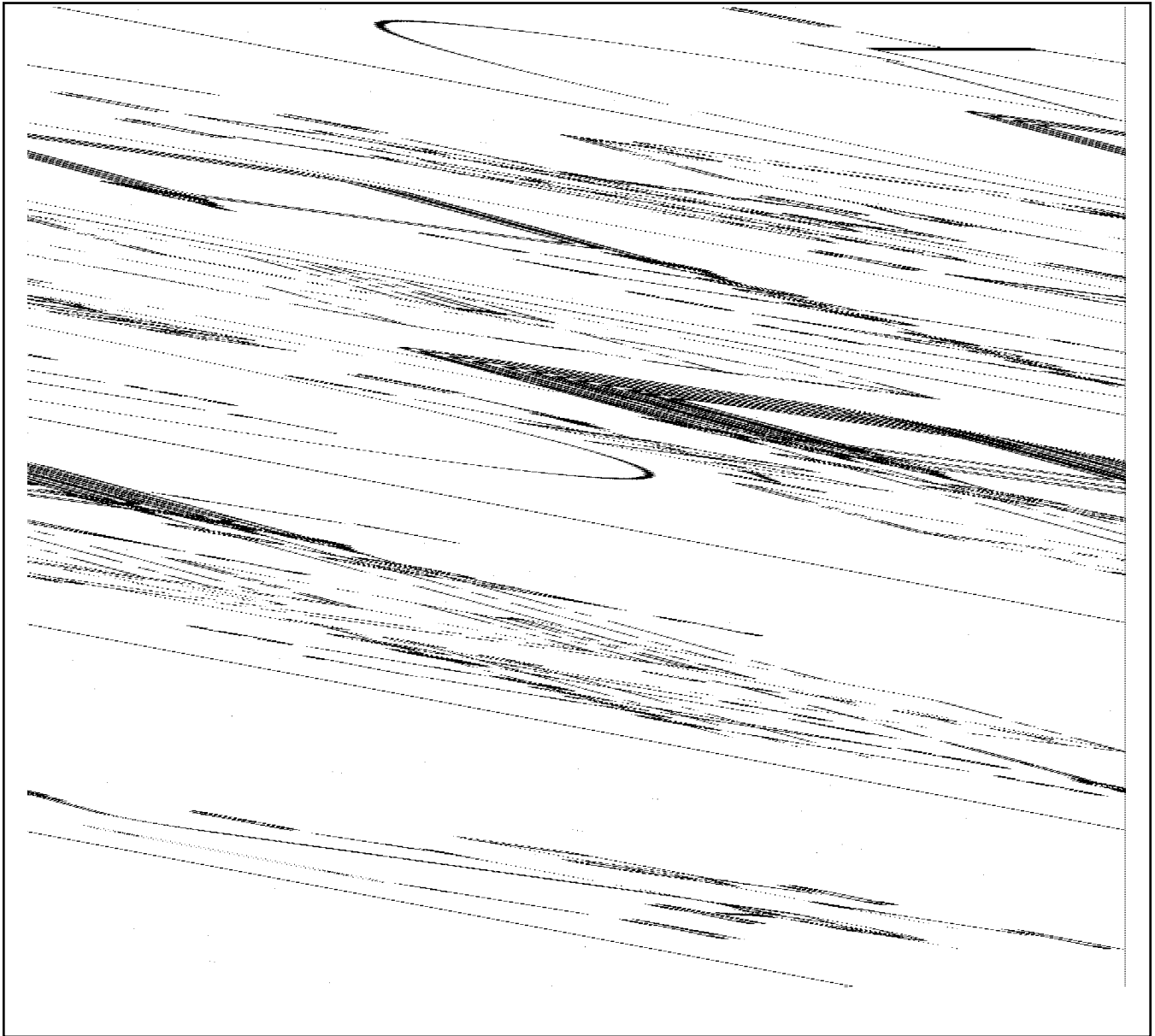


Figure 3-27. Heating Element and High Limit Assembly (Electric Model)

FIGURE & ITEM NO.	PART NUMBER	DESCRIPTION	UNITS PER ASSY
3-27		HEATING ELEMENT AND HIGH LIMIT ASSEMBLY, (Electric Model)	
√ 1	18233-1	ELEMENT COMPLETE, Heating 208 Volts, 4500 Watts	3
√ 1	44756	ELEMENT - 208V-13.5kw-561 (units w/Firebars only)	1
√ 1	18233-2	ELEMENT COMPLETE, Heating 230 Volts, 4500 Watts	3
√ 1	18233-5	ELEMENT COMPLETE, Heating 230 Volts, 3750 Watts	3
√ 1	18233-4	ELEMENT COMPLETE, Heating 208 Volts, 3750 Watts	3
√ 1	45268	ELEMENT - 240V-13.5kw-561 (units w/Firebars only)	1
√ 1	48169	ELEMENT - 220V-13.5kw-561 (units w/Firebars only)	1
√ 1	18233-6	ELEMENT COMPLETE, Heating 480 Volts, 3750 Watts	3
√ 1	48159	ELEMENT - 480V-13.5kw-561 (units w/Firebars only)	1
√ 1	18233-7	ELEMENT COMPLETE, Heating 480 Volts, 4500 Watts	3
2	16855	SEAL O-RING	6
3	WA01-005	WASHER, Heating Element, Metal	6
4	NS01-017	NUT, Heating Element, Brass	6
5	NS01-014	NUT, Heating Element	12
6	WA01-007	WASHER, Heating Element	12
7	LW01-008	WASHER, Lock, Heating Element	6
8	29295	HI Limit Bracket - Rear-561 (Firebars)	2
8	18720	CLAMP, Rear-Hi Limit	1
9	29297	HI Limit Bracket - Front-561 (Firebars)	2
9	18248	CLAMP, Front-Hi Limit	1
√ 10	14685	KIT, Spreader Module	4
11	18225	SPREADER, Element	4
12	18226	BAR, Spreader Lock	4
13	SC01-055	SCREW, Element Spreader (including Firebars)	8
14	LW02-005	WASHER, Lock, Element Spreader	8
15*	44914	SPREADER, Element (inner) - 561 (Firebars)	4
16*	44915	SPREADER Element (outer) - 561 (Firebars)	4
17*	SC01-201	SCREW, Element Spreader-561 (Firebars)	8
18	SC01-053	SCREW, 8-32 x 1/2 PH RD SS	2
19	SC02-018	SCREW, Thread Forming #8	2
√ 20	16738	CONTROL, Hi Limit Temperature	1
21	NS02-001	NUT, #10-32 Hex Keys	2
22	17216	BRACKET ASS'Y, Hi Limit Thermostat	1
23	18211	HOLDER, Thermostat Bulb	1
24	19604	BUSS BAR, 2-Hole	2
25*	63339	INSULATION, Pot Front-561	1

√ Recommended Parts/*not shown

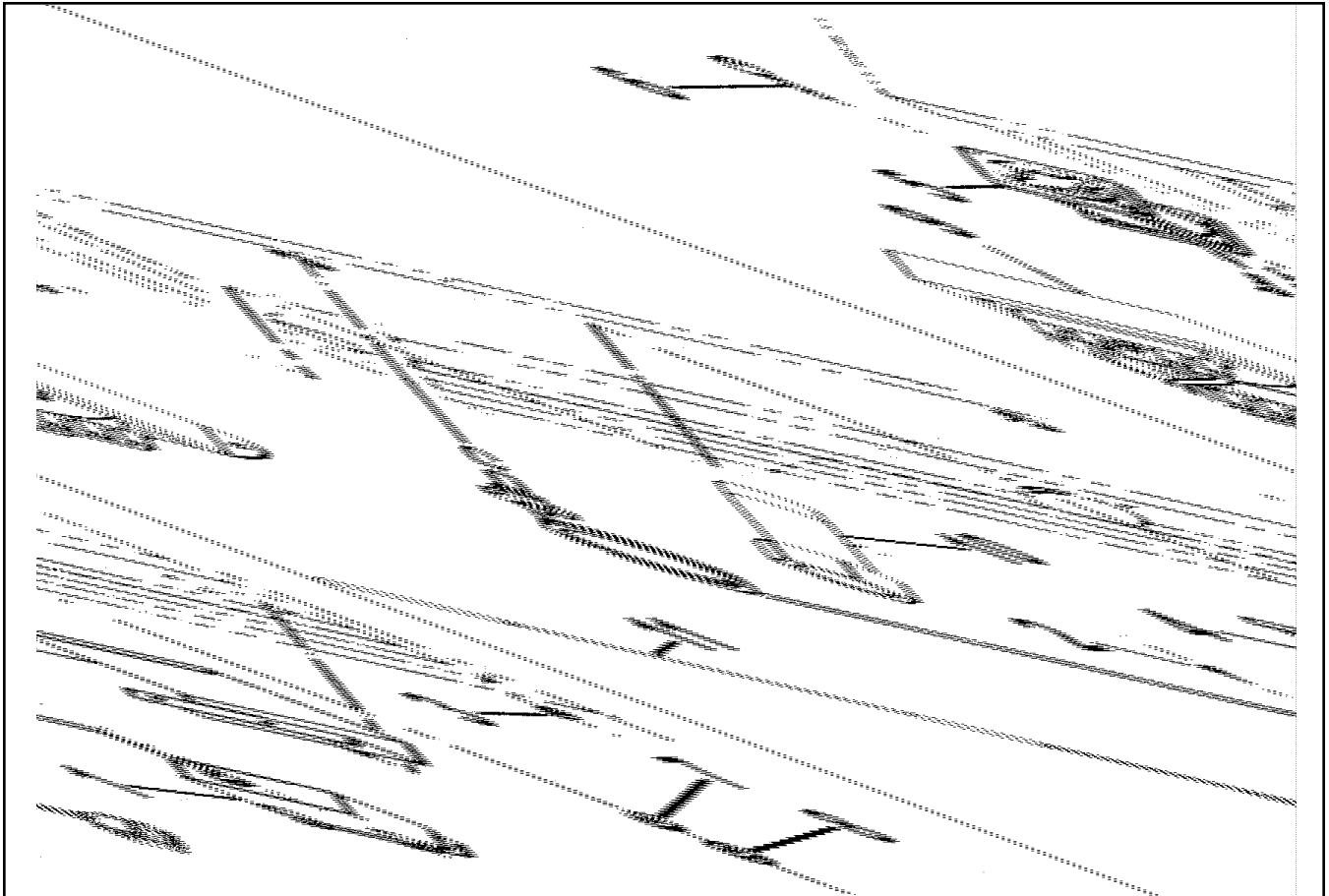


Figure 3-28. Fan and High Temperature Limit Control (Gas Model)

FIGURE & ITEM NO.	PART NUMBER	DESCRIPTION	UNITS PER ASSY
3-28		FAN AND HIGH TEMPERATURE LIMIT CONTROL (Gas Model)	
√ 1	16738	CONTROL, High Temperature Limit.....	1
√ 1	60241	CONTROL, High Temp. Limit-E.G.O.-CE and Australia..... SN: CA012JJ and above	1
√ 1	14267	KIT, High Limit - CE SN: CA011JJ and below.....	1
2	SC02-018	SCREW, Thread Forming #8	2
3	NS02-001	NUT, #10-32 Hex Keys	2
4	17216	BRACKET ASSY, High Limit Thermostat	1
√ 5	81208	FAN, 120 Volt	1
√ 5	16688	FAN, 240 Volt (SN: AN0810093 & Below)	1
√ 5	81117	FAN, 240 Volt (SN: AN0810094 & Above)	1
6	SC01-266	SCREW, Fan, 6-32 X1-3/4"	4
7	WA01-006	WASHER, Fan	4
8	NS02-005	NUT, Fan.....	4
√ 9	35916	TRANSFORMER, 120V-Pri./24V-Sec.....	1
√ 9	30614	TRANSFORMER, 208/240V-Pri./24V-Sec.....	1
10	51071	FITTING, Thermostat - SN: KA020JJ & Below.....	2
√ 11	68078	ASSY, FPS Temperature Probe (when applicable).....	1
12*	36097	PROBE GUARD	1

√ Recommended Parts

*not shown

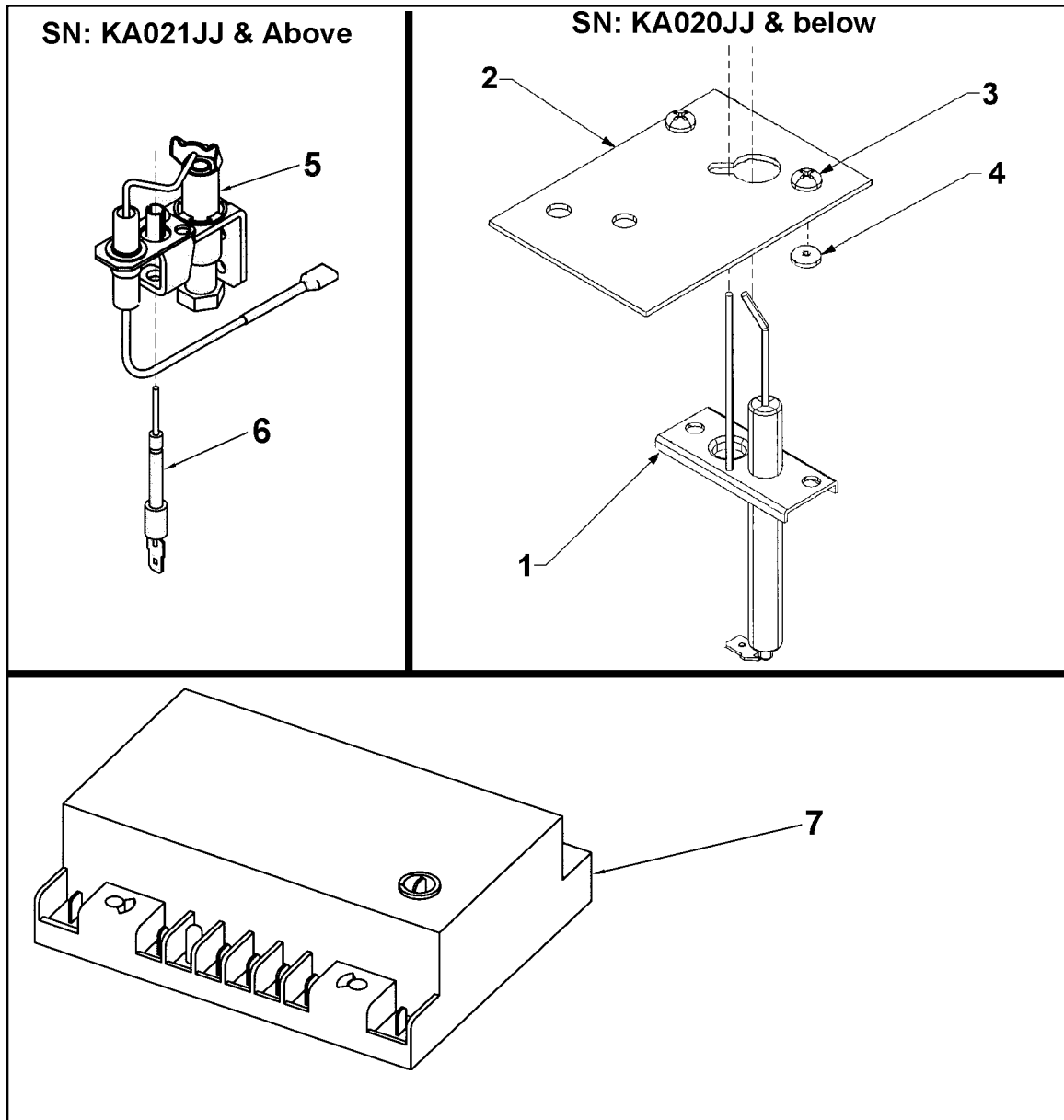


Figure 3-29. Electronic Ignition Assembly

FIGURE & ITEM NO.	PART NUMBER	DESCRIPTION	UNITS PER ASSY
3-29		ELECTRONIC IGNITION ASSEMBLY (only where applicable)	
√ 1	34380	ELECTRODE, Spark/Sense - SN: KA020JJ & below	1
2	34376	IGNITOR BRACKET - SN: KA020JJ & below	1
2	21522	IGNITOR BRACKET SN: KA021JJ & above.....	1
2	21325	IGNITOR BRACKET (Int'l) SN: KA020JJ & below	1
3	SC01-021	SCREW.....	2
3	SC01-076	SCREW (International) SN: KA020JJ & below	2
4	NS02-007	KEPS NUT.....	2
√ 5	79132-1	PILOT- PFG- 600 NATURAL (SN: AN1208071 & above)....	1
√ 5	140227	KIT- 600 NAT SSI PILOT ASSY (SN: KA021JJ-AN1208070)	1
√ 5	79132-2	PILOT- PFG- 600 LP (SN: AN1208071 & above).....	1
√ 5	14931	KIT, 600 SSI Pilot Assy-LP - SN: (SN: KA021JJ-AN1208070)	1
6	14899	KIT - 600 SENSOR FLM HARN FLM.....	1
√ 6	60292	SENSOR-FLAME, Pilot - SN: KA021JJ & above.....	1
√ 7	34384	IGNITION MODULE - SN: KA020JJ & below	1
√ 7	21318	IGNITION MODULE (Int'l) SN: KA020JJ & below	1
√ 7	14919	KIT-IGNITION MODULE-NON-CE-SN: KA021JJ to AN0711029	1
√ 7	77839	IGNITION MODULE-NON-CE-SN: AN0711030 & above	1
√ 7	14937	KIT-IGNITION MODULE -CE-SN: KA021JJ to AN0711029	1
√ 7	77602	IGNITION MODULE-CE - SN: AN0711030 & above....	1
√ 8*	21317	MOMENTARY RESET SWITCH SN: KA020JJ & below.....	1
9*	54472	POWER RELAY - 15A 120V.....	1
9*	56394	POWER RELAY - 10A 240V CE.....	1
10*	80854	BRACKET - IGNITION MODULE.....	1

√ Recommended Parts

*not shown

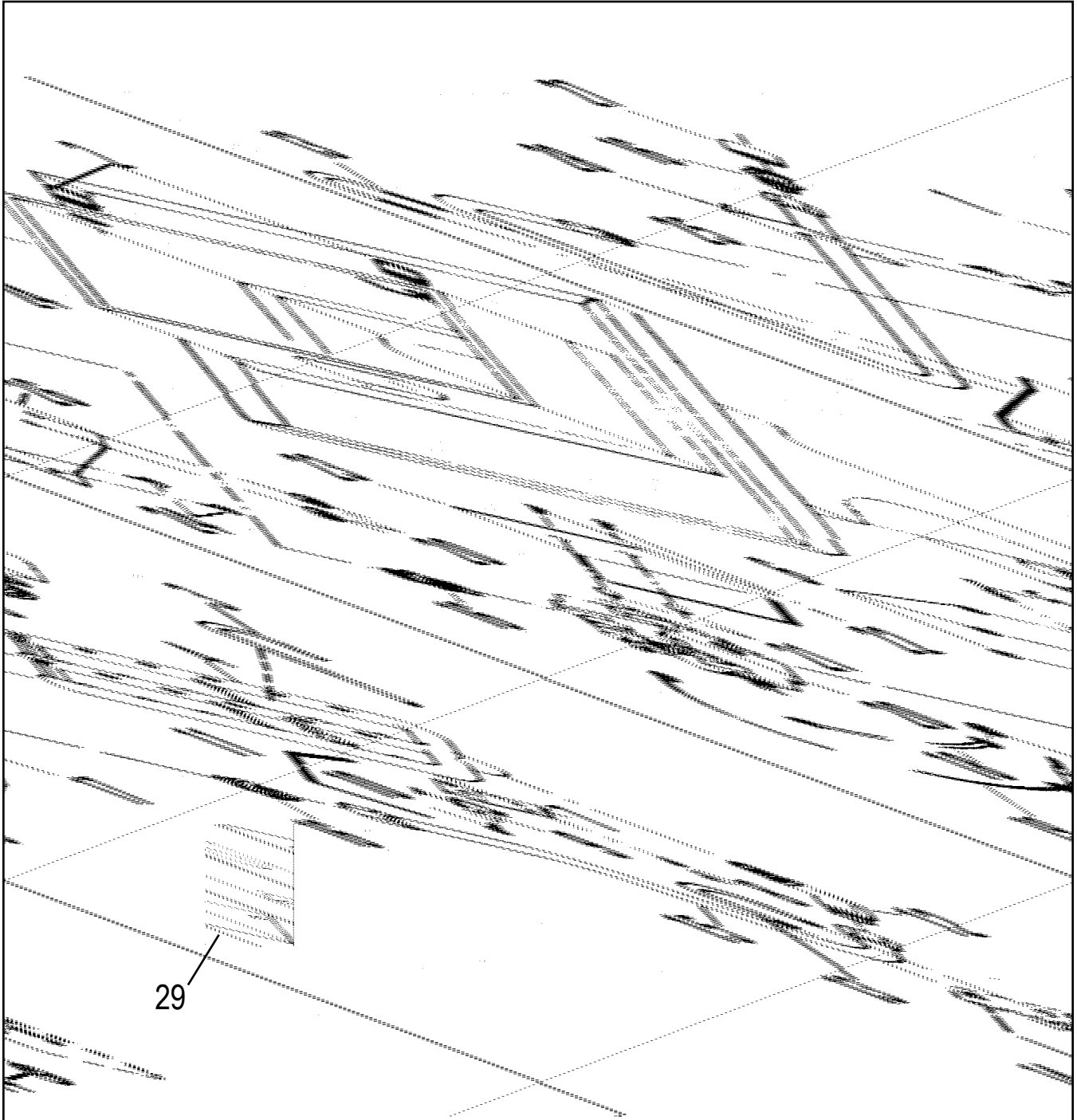


Figure 3-30. Frypot & Gas Burner Assy-Non-CE, Domestic, & Electronic Ignition

FIGURE & ITEM NO.	PART NUMBER	DESCRIPTION	UNITS PER ASSY
3-30		FRYPOT & GAS BURNER ASSY- NON-CE, DOMESTIC, AND ELECTRONIC IGNITION	
1	16889	TOP ASSY, Pot & Counter (SN: KA020JJ & below)	1
1	65007	TOP ASSY, Pot & Counter (SN: KA021JJ & above)	1
1	68568	TOP ASSY, Pot & Counter - FPS	1
1	65010	TOP ASSY, Pot & Counter-Pollo Campero (SN: KA021JJ & above)	1
1	65011	TOP ASSY, Pot & Counter-CE(SN: KA021JJ & above; use 16889 prior).....	1
2	18816	NIPPLE, Pipe S.S	2
3	53834	J-BOLT, Burner Hold Down	1
4	16205	CASTING Burner	1
5	17013-1	SET, Orifice, Natural Gas	1
5	16561-1	ORIFICE, Natural Gas, S.S.....	1
5	16562-1	ORIFICE, Natural Gas, Brass	23
5	17013-3	SET, Orifice, Propane Gas.....	1
5	16561-3	ORIFICE, Propane Gas, S.S	1
5	16562-3	ORIFICE, Propane Gas, Brass	23
6	FP01-020	PLUG, Burner Casting	3
7	29969	BRACKET, Pilot Holder	1
8	SC01-184	SCREW, Pilot Holder Bracket	2
9	Use #11	PILOT & ORIFICE ASSEMBLY	1
10	SC01-047	SCREW, Pilot Holder	1
11	30904	PILOT & BRACKET ASSY, LP (SN AN0703021 & below).....	1
11	30913	PILOT & BRACKET ASSY, Nat (SN AN0703021 & below)	1
12	16336	ELBOW, Male.....	1
12	FP01-014	ELBOW 1/8" (SN: AN0901029 & Above).....	1
13	SC06-013	BOLT, U, Gas Line.....	2
14	NS02-002	NUT, Gas Supply Line Bolt	4
15	16333	LINE, Gas Burner to Control	1
15	67202	ASSY, Burner to Valve Tube - Solid State Ign.....	1
15	79239	ASSY, Burner to Valve Tube (SN: AN0901029 & Above).....	1
16	16335	NIPPLE, Close	3
17	29820	ORIFICE, Pilot, Natural Gas.....	1
17	32407	ORIFICE, Pilot, Propane Gas	1
18	69450	PILOT ASSEMBLY, Gas Tube	1
√ 19	16219	THERMOCOUPLE	1
√ 20	-----	VALVE, Gas Control - See Figure 3-32.....	1
21	16221	SPACER, Heat Shield	2
21	ME50-066	SPACER, Heat Shield (SN: AN0901029 & Above)	2
22	SC01-054	SCREW, Heat Shield.....	2
22	SC02-045	SCREW, Heat Shield (SN: AN0901029 & Above).....	2
23	58866	SHIELD, Heat, Aluminum (SN: KA020JJ & below)	1
23	67111	SHIELD, Valve Heat - SSI (SN: KA021JJ to SN:AN0901028)	1
23	79197	SHIELD, Valve Heat (SN: AN0901029 & Above)	1
24	SC02-006	SCREW, Bracket	4
25	40304	LINE, Gas Supply (SN: KA020JJ & below).....	1
25	16326	LINE, Gas Supply	1
26	16331	GAS LINE BRACKET	1
27	FP01-007	COUPLING, Pipe	1
28	16328	BRACKET, Gas Line.....	1
-	16329	Nut 37 Flare for 5/8 OD	2
-	16330	Sleeve 37 Flare for 5/8	2
29	24687	GUARD, Gas Valve Adjustment Screw	1
30*	14484	KIT, 3/4 in. x 5 ft. Gas Line w/quick-disconnect	1

√ Recommended Parts / * not shown

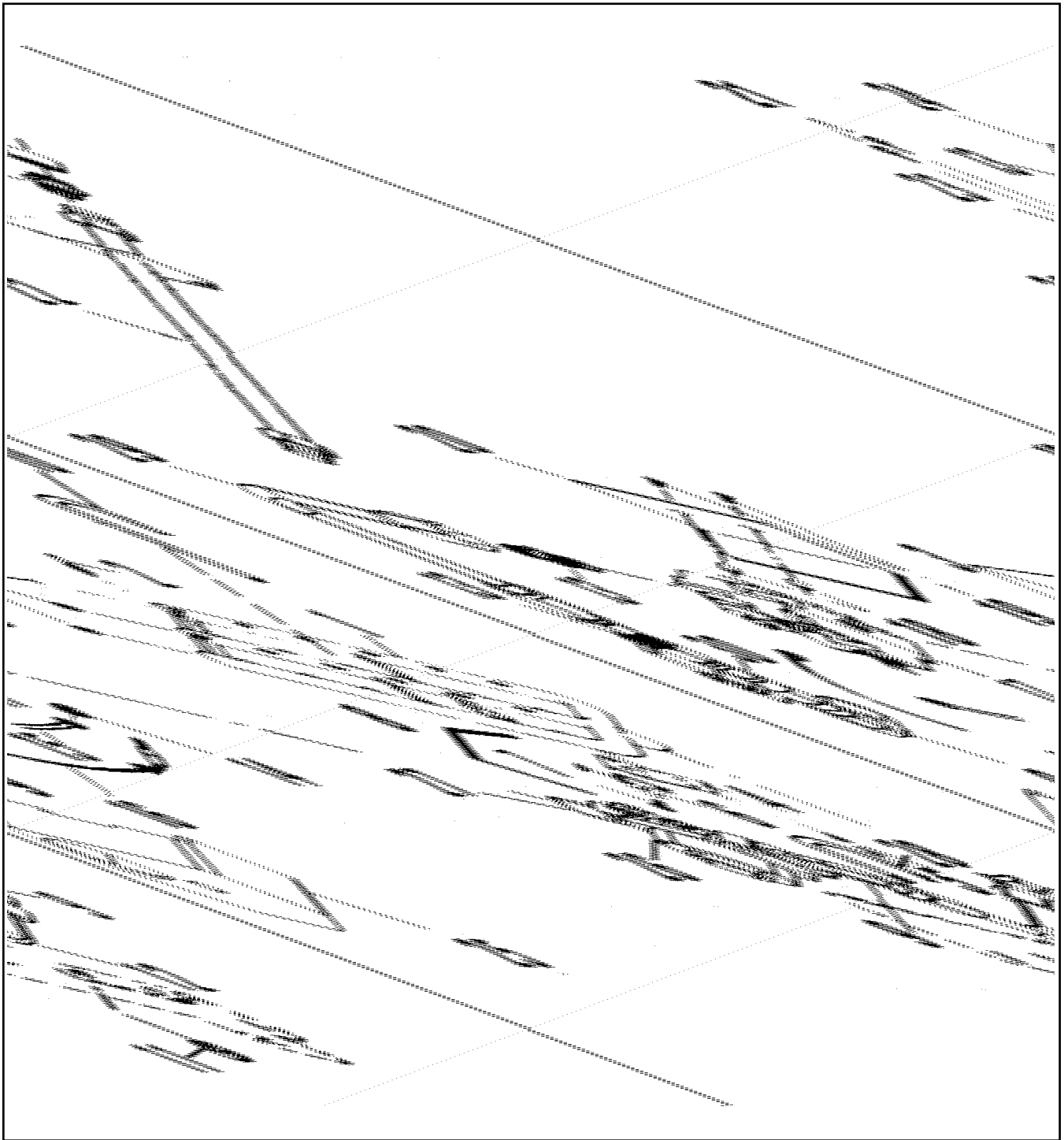
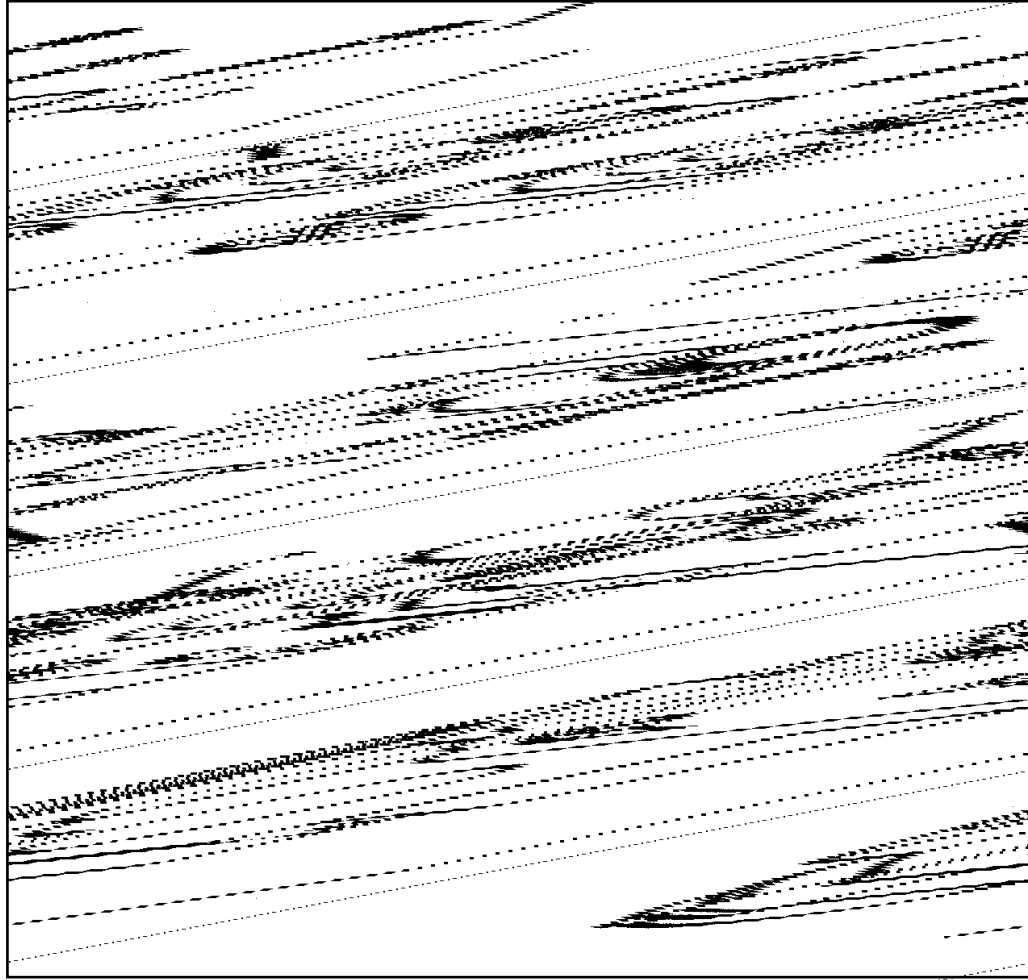


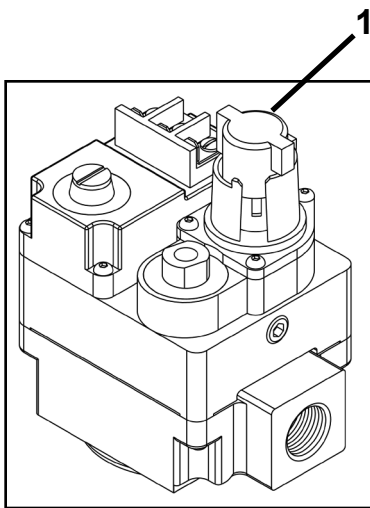
Figure 3-31. Gas Line and Burner Assembly - CE, Int'l, and Electronic Ignition

FIGURE & ITEM NO.	PART NUMBER	DESCRIPTION	UNITS PER ASSY
3-31		GAS LINE & BURNER ASSY-CE, INTERNATIONAL, & ELECTRONIC IGNITION	
1	16205	CASTING Burner	1
2	17013-1	SET, Orifice, Natural Gas	1
2	16561-1	ORIFICE, Natural Gas, S.S	1
2	16562-1	ORIFICE, Natural Gas, Brass	23
2	17013-3	SET, Orifice, Propane Gas	1
2	16561-3	ORIFICE, Propane Gas, S.S	1
2	16562-3	ORIFICE, Propane Gas, Brass	23
3	FP01-020	PLUG, Burner Casting	3
4	29969	BRACKET, Pilot Holder	1
5	SC01-184	SCREW, Pilot Holder Bracket	2
6	Use #8	PILOT & ORIFICE ASSEMBLY	1
7	SC01-047	SCREW, Pilot Holder	1
8	30904	PILOT & BRACKET ASSY, LP (SN AN0703021 & below)	1
8	30913	PILOT & BRACKET ASSY, Nat (SN AN0703021 & below)	1
9	16336	ELBOW, Male	1
10	53834	J-BOLT, Burner Hold Down	1
11	NS02-002	NUT, Gas Supply Line Bolt	4
12	38464	LINE, Gas Burner to Control	1
13	16335	NIPPLE Close	2
14	29820	ORIFICE, Pilot, Natural Gas	1
14	32407	ORIFICE, Pilot, Propane Gas	1
15	69450	PILOT ASSEMBLY, Gas Tube	1
√ 16	16219	THERMOCOUPLE	1
√ 16	34820	THERMOCOUPLE -CE	1
√ 17	-----	VALVE, Gas Control - See Figure 3-32	1
18	16221	SPACER, Heat Shield	2
19	SC01-054	SCREW, Heat Shield	2
20	16222	SHIELD, Heat, Aluminum	1
21	SC02-006	SCREW, Bracket	4
22	51429	LINE, Gas Supply-CE and Australia	1
23	16328	BRACKET, Gas Line	1
24	FP01-007	COUPLING, Pipe	1
25	56229	WIRE COVER, Gas control valve - CE	1
√ 26	38446	SOLENOID, Gas - 120V	1
√ 26	38467	SOLENOID, Gas - 240V	1
√ 26	38468	SOLENOID, Gas - 24V	1
√ 26	34801	SOLENOID, Gas - 240V - CE and Australia	1
√ 26	34802	SOLENOID, Gas - 24V - CE and Australia	1
27	FP02-062	NIPPLE, 1/2 NPT x 1.75L BI	1
28	SC06-013	BOLT U, Gas Line	1
29	51428	TUBE, Gas Valve Supply	1
30	45401	VALVE, 1/2 Gas Ball	1
31*	FP01-014	ELBOW, 1/8 inch - Z	1
32*	FP01-200	FITTING - Gas Inlet BSPT	1
33*	16355	NIPPLE, PRESSURE TEST	1

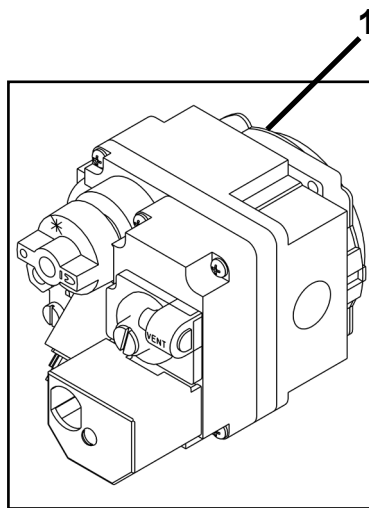
√ Recommended Parts/*not shown



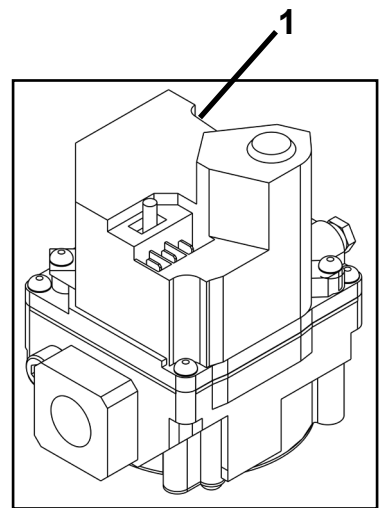
Style 1



Style 2



Style 3



Style 4

Figure 3-32. Gas Control Valve

FIGURE & ITEM NO.	PART NUMBER	DESCRIPTION	UNITS PER ASSY
3-32		GAS CONTROL VALVE	
√ 1	-----	VALVE, Gas Control - See Table 1 Below	1
√ 2	16254	ACTUATOR, Gas Control Valve, 120 Volt, Natural	1
2	16710	ACTUATOR, Gas Control Valve, 208-240 Volt, Natural.....	1
√ 2	16386	ACTUATOR, Gas Control Valve, 120 Volt, Propane.....	1
√ 2	16384	ACTUATOR, Gas Control Valve, 208-240 Volt, Propane.....	1
√ 3	16253	REGULATOR, Gas Control Valve, Natural Gas.....	1
√ 4	16352	REGULATOR, Gas Control Valve, Propane Gas.....	1
√ 6	16267	KNOB, Gas Control Valve	1
√ 7	16373	FITTING, Compression - Pilot Tube.....	2
8*	16247	KIT, Nat. to LP Conversion - See Table 2 Below	1
8*	16248	KIT, LP to Nat. Conversion - See Table 2 Below	1
8*	14324	KIT, Nat. to LP Conversion - See Table 2 Below	1
8*	14325	KIT, LP to Nat. Conversion - See Table 2 Below	1
8*	14723	KIT, 600SSI - Nat. to LP Conversion-SN: KA021JJ & above.....	1
8*	14724	KIT, 600SSI - LP. to Nat. Conversion-SN: KA021JJ & above	1

√ Recommended Parts / *not shown

Table 1

Voltage	Nat. Electronic Ign.	LP Electronic Ign.	Nat. Std. Ign.	LP Std. Ign.	Town Gas
120V	†34439 (SN: KA020JJ and Below)	-----	†16216	†16217	Use 16262 and 16254
240V	-----	†21316	†16380	†16381	†16262
24V	◇140043 (SN: KA021JJ to AN0901028)	◇140043 (SN: KA021JJ to AN0901028)	#29614 (SN: KA020JJ and Below)	#29728 (SN: KA020JJ and Below)	-----
24V	◇80761 (SN: AN0901029 and Above)	◇80858 (SN: AN0901029 And Above)	‡58863 (SN: KA021JJ and Above)	‡64036 (SN: KA021JJ and Above)	-----
24V/50Hz	-----	-----	#34806	#34805	-----
240V/50Hz	-----	-----	#34804	#34803	-----

† - Style 1, Integral lead wires

‡ - Style 2, 3 screw terminals

- Style 3, 2 screw terminals and/or cover

◇ - Style 4, 3 spade terminals and ON/OFF switch

NOTE: Part # 16216 and 16380 consist of items 2 and 3 and part # 16217 and 16381 consist of items 2 and 4.

Table 2

SERIAL NUMBER	(Pilot lit Manually)	(Pilot lit Manually)
	Std. USA 120V/60Hz Power	Std. European & Non-Std. Power
KA020JJ & Below	16247 & 16248	16247 & 16248
KA021JJ & Above	14324 & 14325	16247 & 16248

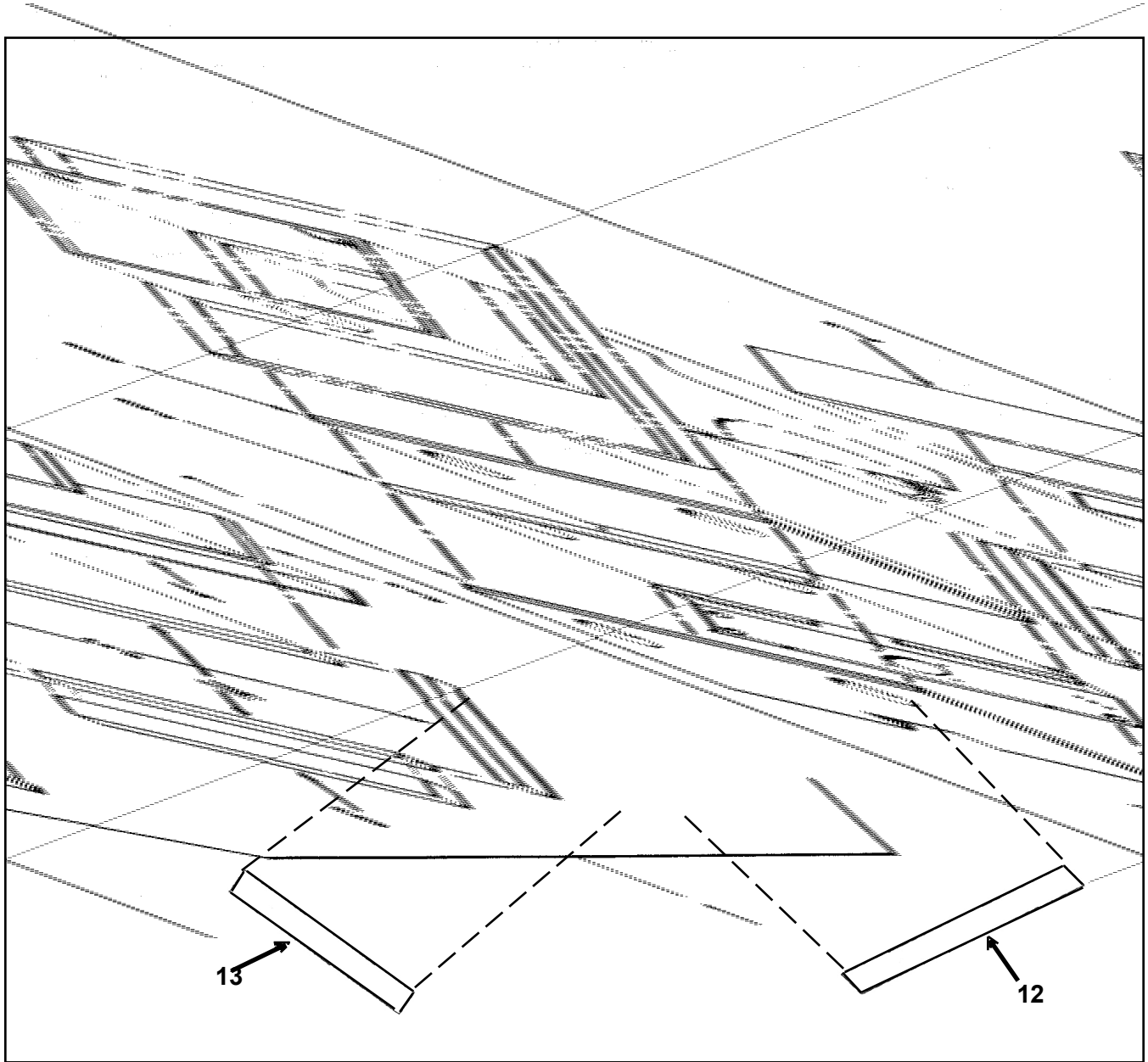


Figure 3-33. Countertop Insulation Assembly (Gas Model)

FIGURE & ITEM NO.	PART NUMBER	DESCRIPTION	UNITS PER ASSY
3-33		COUNTERTOP INSULATION ASSY (Gas Model)	
1	14698	KIT, Complete Set - SN: KA021JJ & Above.....	1
1	16518	INSULATION, Complete Set - SN: 35886 to KA020JJ.....	1
1	16310	INSULATION, Complete Set - SN: 35885 and Below (Includes Part Nos. 16505,17605,16872, MS01-180, Bulk Cerefelt Insulation For Around Thermocouple, Pot Fittings, and Glue.)	1
1	14211	INSULATION, Complete Set-CE and Australia	1
2	63301	INSULATION, Fiberglass	1
2	63326	INSULATION-CE and Australia	2
3	63302	INSULATION, Cerefelt - Flue Top	1
3	63326	INSULATION, Cerefelt - Flue Top - CE	1
4	16308	BOARD, Aircell	1
4	54862	BOARD, Aircell-CE and Australia.....	1
5	53807	INSULATION, Countertop-sides	2
6	16303	INSULATION, Fiberglass	1
7	63699	INSULATION, Fiberglass Notched	2
7	68070	ASSY, Front Panel Insulation - SSI/FPS	1
8	63623	INSULATION, Heat Shield, Inner.....	1
9	59232	HEAT SHIELD	1
10*	53802	HEAT SHIELD, Middle-CE & Australia (SN:AN0810093 and Below).....	1
11*	80861	HEAT SHIELD-CE & Australia (SN:AN0810094 & Up)....	1
11*	85512	HEAT SHIELD-240V SSI/FPS (SN:AN0810093 & Below)	1
11*	85518	HEAT SHIELD-240V SSI/FPS (SN:AN0810094 & Up).....	1
12	59965	INSULATION, Countertop Side.....	2
13	59966	INSULATION, Countertop Front.....	1
14	53808	INSULATION, Countertop-Front/Rear	2

* not shown

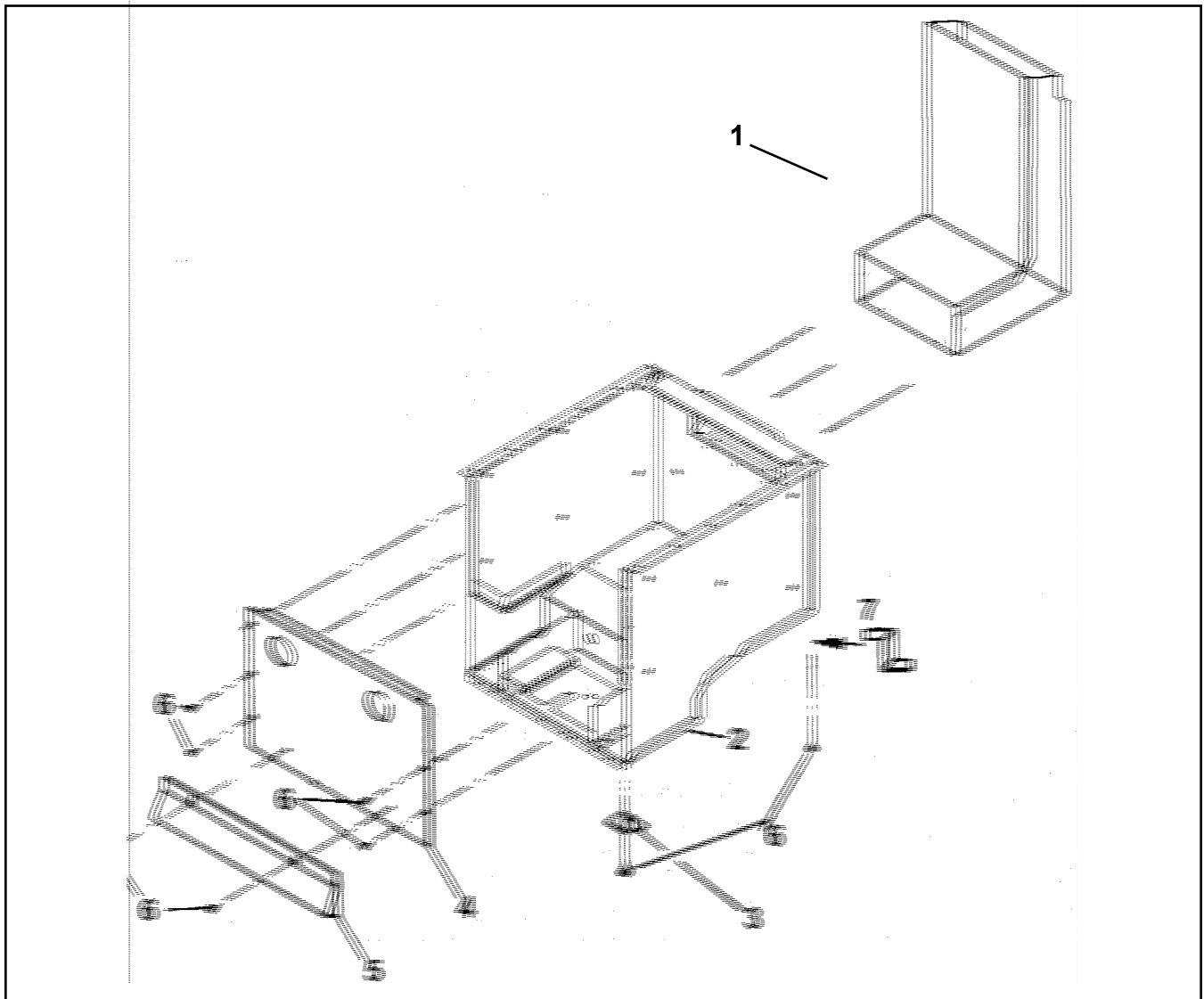


Figure 3-34. Firebox and Flue Assembly (Gas Model)

FIGURE & ITEM NO.	PART NUMBER	DESCRIPTION	UNITS PER ASSY
3-34		FIREBOX AND FLUE ASSEMBLY (Gas Model)	
1	59728	STACK, Flue Exhaust - SN: KA021JJ & Above.....	1
1	54865	STACK, Flue Exhaust - SN: KA020JJ & Below.....	1
2	59223	CABINET ASSEMBLY, Firebox - SN: KA021JJ & Above	1
2	29679	CABINET ASSEMBLY, Firebox - SN: KA020JJ & Below	1
3	18625	BRACKET, Side Panel Insulation	2
4	87448	PANEL, Firebox Front	1
5	16406	DEFLECTOR, Heat Shield	1
6	SC03-005	SCREW, Sheet Metal	20
7	18626	BRACKET, Side Panel Insulation, Rear	2
8	63330*	FIREBOX ASSY, w/Insul-Japan-(SN: AN0902073 & Below)	1
8	63311*	FIREBOX ASSY, w/Insul-Japan-(SN: AN0902074 & Above)	1
8	63331*	FIREBOX ASSEMBLY, w/Insulation - CE and Australia.....	1
9	30857*	FRONT PANEL INSULATION ASSEMBLY (Export only)	1
10	53812*	INSULATION, Front Bracket, Firebox - CE and Australia...	2
11	53814*	INSULATION, Leg - CE and Australia	1
12	53816*	INSULATION, Outer Rear Firebox - CE and Australia	1
13	24239*	INSULATION, Outer Firebox, Side - CE and Australia	1

* not shown

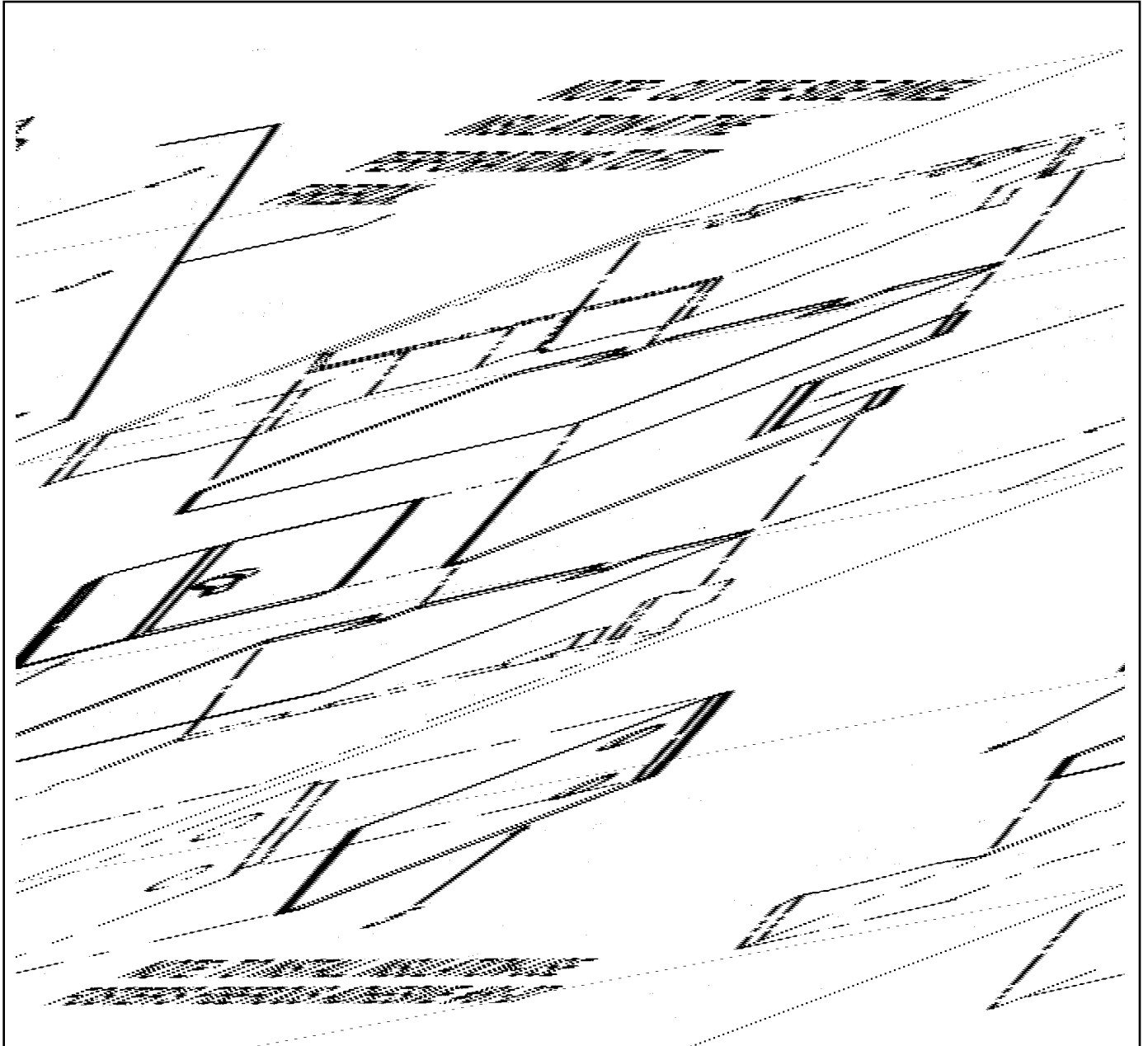


Figure 3-35. Firebox Insulation Assembly (Gas Model)

FIGURE & ITEM NO.	PART NUMBER	DESCRIPTION	UNITS PER ASSY
3-35		FIREBOX INSULATION ASSY (Gas Model)	
1	16505	INSULATION, Firebox - Complete Set Cerefelt, Inside Firebox	1
2	63111	INSULATION, Side Panel , Cerefelt	2
3	16502	INSULATION, Back Panel, Cerefelt	1
4	16503	INSULATION, Bottom Panel, Cerefelt	1
5	29690	INSULATION, Front Panel, Cerefelt	1
6	24238*	INSULATION, Countertop, Sides - Japan - (SN: AN0902074 & Up)	2

* not shown

FIGURE & ITEM NO.	PART NUMBER	DESCRIPTION	UNITS PER ASSY
None		PFE-500 KFC SMS & NON-SMS CONTROLS & SPARE PARTS	
1	16624	LIGHT, Indicator, red.....	1
2	28979	TRANSFORMER.....	1
3	29382	DECAL, Membrane, Switch.....	1
4	29887	CARD, Menu (rectangular).....	1
5	29898	SWITCH, Power.....	1
6	29901	ASSY - Capacitor/Resistor.....	1
7	30094	FITTING, Compression.....	1
8	30560	ASSY - Capacitor/Resistor.....	1
9	30971	ASSY - MOV.....	1
10	36210	BEEPER, Replaceable.....	1
11	43649	ASSY - Probe (Non-SMS).....	1
12	54085	LIGHT, Indicator - Green (CE).....	1
13	73799	ASSY - Probe, 3 inch (SMS).....	1
14	74865RB	ASSY - CONTROL-500 SMS Dom (8-18-06 & after) (Units with wiring diagram 24853, 24718 or 63211).....	1
14	73897RB	ASSY - CONTROL-500 SMS Dom (8-18-06 & after) (Units with wiring diagram 72860, 72831, or 71819).....	1
14	74864RB	ASSY - CONTROL-500 SMS Intl (8-18-06 & after) (Units with wiring diagram 24853, 24718 or 63211).....	1
14	73896RB	ASSY - CONTROL-500 SMS Intl (8-18-06 & after) (Units with wiring diagram 72860, 72831, or 71819).....	1
15	24513	CARD, Menu (long & narrow).....	1
16	51877	ASSY - Speaker and Wire.....	1
17	14789	KIT, SMS Conversion Dom. (SN: KA020JJ & Below) (Units with wiring diagram 24853, 24718 or 63211).....	1
17	14792	KIT, SMS Conversion Dom. (SN: KA020JJ & Below) (Units with wiring diagram 72860, 72831, or 71819).....	1
17	14795	KIT, SMS Conversion Dom. (SN: KA021JJ to BA026JA) (Units with wiring diagram 24853, 24718 or 63211).....	1
17	14799	KIT, SMS Conversion Dom.(SN: KA021JJ to BA026JA) (Units with wiring diagram 72860, 72831, or 71819).....	1
17	14801	KIT, SMS Conversion Dom. (SN: BA026JA GA085JB) (Units with wiring diagram 24853, 24718 or 63211).....	1
17	14804	KIT, SMS Conversion Dom. (SN: BA026JA GA085JB) (Units with wiring diagram 72860, 72831, or 71819).....	1
17	14819	KIT, SMS Conversion Int'l (SN: KA020JJ & Below) (Units with wiring diagram 24853, 24718 or 63211).....	1
17	14822	KIT, SMS Conversion Int'l (SN: KA020JJ & Below) (Units with wiring diagram 72860, 72831, or 71819).....	1
17	14825	KIT, SMS Conversion Int'l (SN: KA021JJ to BA026JA) (Units with wiring diagram 24853, 24718 or 63211).....	1
17	14828	KIT, SMS Conversion Int'l (SN: KA021JJ to BA026JA) (Units with wiring diagram 72860, 72831, or 71819).....	1
17	14831	KIT, SMS Conversion Int'l (SN: BA026JA GA085JB) (Units with wiring diagram 24853, 24718 or 63211).....	1
17	14834	KIT, SMS Conversion Int'l (SN: BA026JA GA085JB) (Units with wiring diagram 72860, 72831, or 71819).....	1

√ Recommended Parts/*not shown

FIGURE & ITEM NO.	PART NUMBER	DESCRIPTION	UNITS PER ASSY
None		PFG-600 KFC SMS & NON-SMS CONTROLS & SPARE PARTS	
1	14332	KIT - Temperature Probe (Non-SMS)	1
2	14428	KIT - 6 Inch Probe (600 SMS)	1
3	17365	LIGHT, Indicator	1
4	29887	CARD, Menu (rectangular)	1
5	29898	SWITCH, Power	1
6	29901	ASSY - Capacitor/Resistor	1
7	30094	FITTING, Compression	1
8	30978	TRANSFORMER	1
9	36097	FITTING, Protector, Pot	1
10	36210	BEEPER, Replaceable	1
11	51426	FILTER - EMC (CE)	1
12	54085	LIGHT, Indicator - Green (CE)	1
13	56528	DECAL, Membrane, Switch	1
14	71933	RELAY - 24V (CE)	1
15	ME90-009	RELAY - 240V (CE)	1
16	73889RB	ASSY - CONTROL-600 SMS Domestic (8-18-06 & after)	1
16	73888RB	ASSY - CONTROL-600 SMS International (8-18-06 & after)	1
17	24513	CARD, Menu (long & narrow)	1
18	51877	ASSY - Speaker & Wire	1
19	14807	KIT, SMS Conversion Dom. (SN: KA020JJ & Below)	1
19	14811	KIT, SMS Conversion Dom. (SN: KA021JJ to BA026JA)	1
19	14815	KIT, SMS Conversion Dom. (SN: BA027JA to GA085JB)	1
20	14837	KIT, SMS Conversion Int'l (SN: KA020JJ & Below) (Units with wiring diagram 29895)	1
20	14838	KIT, SMS Conversion Int'l (SN: KA020JJ & Below) (Units with wiring diagram 63748)	1
20	14839	KIT, SMS Conversion Int'l (SN: KA020JJ & Below) (Units with wiring diagram 29900)	1
20	14840	KIT, SMS Conversion Int'l (SN: KA020JJ & Below) (Units with wiring diagram 34809)	1
20	14841	KIT, SMS Conversion Int'l (SN: KA021JJ to BA026JA) (Units with wiring diagram 29895)	1
20	14842	KIT, SMS Conversion Int'l (SN: KA021JJ to BA026JA) (Units with wiring diagram 63748)	1
20	14843	KIT, SMS Conversion Int'l (SN: KA021JJ to BA026JA) (Units with wiring diagram 29900)	1
20	14844	KIT, SMS Conversion Int'l (SN: KA021JJ to BA026JA) (Units with wiring diagram 34809)	1
20	14845	KIT, SMS Conversion Int'l (SN: BA026JA GA085JB) (Units with wiring diagram 29895)	1
20	14846	KIT, SMS Conversion Int'l (SN: BA026JA GA085JB) (Units with wiring diagram 63748)	1
20	14847	KIT, SMS Conversion Int'l (SN: BA026JA GA085JB) (Units with wiring diagram 29900)	1
20	14848	KIT, SMS Conversion Int'l (SN: BA026JA GA085JB) (Units with wiring diagram 34809)	1
√ Recommended Parts/*not shown			



Call or Text : 800.438.8898

LOGIN Create an Account



Find Restaurant Parts:

Find Equipment Manuals:

Select manufacturer ▼
 Select model # ▼
 Select document type ▼

USD ▼
 English ▼

SHOP BY MANUFACTURER TECHTOWN INSIDE PARTS TOWN TRACK MY ORDER MY ACCOUNT

We've extended our hours! In-stock parts ship same day until 9 PM ET Mon-Fri!

Search by

Manufacturer

- AccuTemp
- Alto Shaam
- American Range
- Anets
- Antunes
- APW Wyott
- Atlas Metal
- Bakers Pride
- Beverage Air
- Bevles
- BKI
- Blodgett
- Bunn
- Cecilware
- Cleveland
- Cres Cor
- Delfield
- Doughpro Proluxe
- Duke
- Electrolux
- Frymaster
- Garland
- Globe
- Grindmaster
- Groen
- Hatco
- Henny Penny
- Hoshizaki
- Hussmann
- Imperial Brown
- Jade
- Jet Tech
- Lang
- Lincoln
- Magikitchn
- Manitowoc Ice
- Master-Bilt
- Middleby
- Nieco
- Norlake
- Perlick
- Pitco
- Prince Castle
- Randell
- Robot Coupe
- Royal Range
- Scotsman
- Server
- Silver King
- Southbend Range

Home > HENNY PENNY > ORIFICE - 12 PSI

Henny Penny 16918 ORIFICE - 12 PSI



PartSPIN

PartsTown #: HEN16918
Mfr Part #: 16918
HENNY PENNY
Fits Models: View list
List Price: \$ 36.10
MY PRICE: \$ 34.30
Units: Each
Qty on Hand: 11
Shipping Info: In stock, ships today

Qty:

Ships today (March 7) if you order in the next 22 : 36 : -4

Henny Penny 16918 Genuine OEM Replacement Part

ORIFICE - 12 PSI

Related OEM Part Number(s): HEP16918

DOCUMENTS	SPECS	FITS MODELS
<p>Documents for 500:</p> <ul style="list-style-type: none"> • Parts Manual • Installation & Operation Manual • Service & Parts Manual <p>Documents for 600:</p> <ul style="list-style-type: none"> • Parts Manual • Installation & Operation Manual • Service & Parts Manual <p>Documents for CFA-500:</p> <ul style="list-style-type: none"> • Installation & Operation Manual • Service & Parts Manual <p>Documents for CFA-600:</p> <ul style="list-style-type: none"> • Installation & Operation Manual • Service & Parts Manual <p>Documents for PFE-500:</p> <ul style="list-style-type: none"> • Installation & Operation Manual • Service & Parts Manual <p>Documents for PFE-500-CFA:</p>		

Need Help?

Chat with one of our specialists now

Start Chat >>

Star
Traulsen
True
Turbo Air
Ultrafryer
Vulcan Hart
Wells
Winston
[View All Manufacturers](#)

- Service & Parts Manual
- Installation & Operation Manual
- Parts Manual
- **Interactive Parts Diagram**

Documents for PFE-520:

- Service & Parts Manual

Documents for PFE-561:

- Installation & Operation Manual
- Service & Parts Manual

Documents for PFE-580KFC:

- Service & Parts Manual

Documents for PFE-590:

- Installation & Operation Manual
- Parts Manual
- Service & Parts Manual

Documents for PFE-592:

- Installation & Operation Manual
- Service & Parts Manual

Documents for PFE-600:

- Installation & Operation Manual
- Service & Parts Manual

Documents for PFG-500:

- Installation & Operation Manual
- Service & Parts Manual

Documents for PFG-561:

- Installation & Operation Manual
- Service & Parts Manual

Documents for PFG-600:

- Installation & Operation Manual
- Service & Parts Manual

Documents for PFG-680KFC:

- Service & Parts Manual

Documents for PFG-690:

- Installation & Operation Manual
- Parts Manual
- Service & Parts Manual

Documents for PFG-691:

- Installation & Operation Manual
- Parts Manual
- Service & Parts Manual

Documents for PXE-100:

- Installation & Operation Manual
- Service & Parts Manual

Help Desk

[My Account](#)

[EMWEB](#)

[Track My Order](#)

English ▼

Terms & Conditions

[Privacy Policy](#)

[Shipping](#)

[Taxes & Fees](#)

[FAQ](#)

About Parts Town

[Our Mission](#)

[Our Story](#)

[Our Team](#)

[Careers](#)

Contact Parts Town

[Contact Us](#)

[Live Chat](#)

800.438.8898



© 2017 PARTS TOWN. ALL RIGHTS RESERVED [Terms of Use](#) | [Privacy Policy](#)