

## **SECTION 7. PARTS INFORMATION**

### **7-1. INTRODUCTION**

This section lists the replaceable parts of the Henny Penny Model EEG fryer.

### **7-2. GENUINE PARTS**

Use only genuine Henny Penny parts in your fryer. Using a part of lesser quality or substitute design may result in damage to the unit or personal injury.

### **7-3. WHEN ORDERING PARTS**

Once the parts that you want to order have been found in the parts list, write down the following information:

Example:

Item Number	2
Part Number	60241
Description	High Limit

From the data plate, list the following information:

Example:

Product Number	01100
Serial Number0	001
Voltage	208

### **7-4. PRICES**

Your distributor has a price parts list and will be glad to inform you of the cost of your parts order.

### **7-5. DELIVERY**

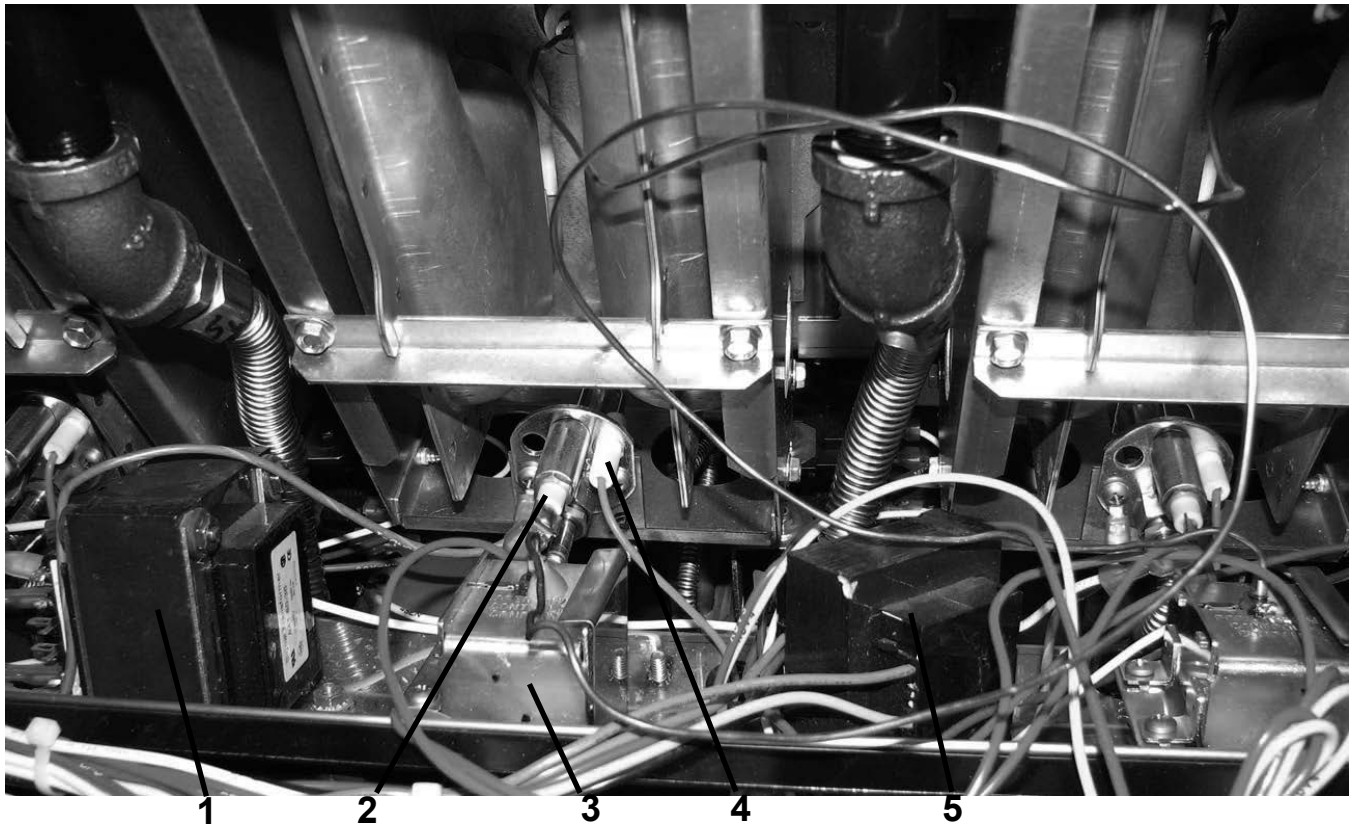
Commonly replaced items are stocked by your distributor and will be sent out when your order is received. Other parts will be ordered, by your distributor, from Henny Penny Corporation. Normally, these will be sent to your distributor within three working days.

### **7-6. WARRANTY**

All replacement parts (except lamps and fuses) are warranted for 90 days against manufacturing defects and workmanship. If damage occurs during shipping, notify the carrier at once so that a claim may be properly filed. Refer to warranty in the front of this manual for other rights and limitations.

### **7-7. RECOMMENDED SPARE PARTS FOR DISTRIBUTORS**

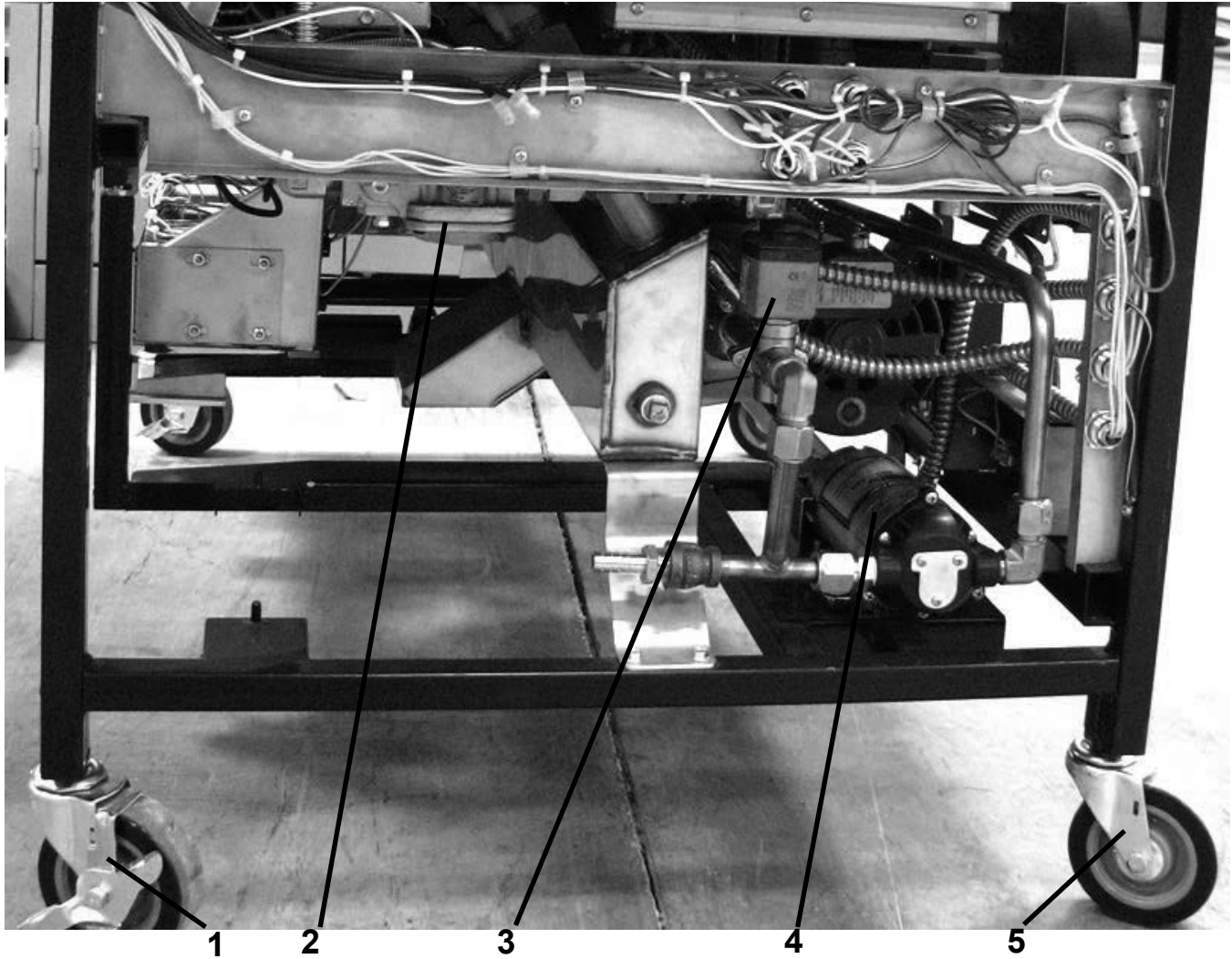
Recommended replacement parts, stocked by your distributor, are indicated with √ in the parts lists. Please use care when ordering recommended parts, because all voltages and variations are marked. Distributors should order parts based upon common voltages and equipment sold in their territory.



Item No.	Part No.	Description	Quantity
√ 1	TS22-012	TRANSFORMER - AIF .....	1
√ 2	76978	FLAME SENSOR.....	1/vat
√ 3	16738	HIGH LIMIT - 450°F.....	1/vat
√ 4	75854	ASSY - SPARK IGNITOR (PILOT) .....	1/vat
√ 5	84391	TRANSFORMER - 120 VOLT .....	1/vat
√ 5	80375	TRANSFORMER - 230 VOLT .....	1/vat
6	76921	ORIFICE - BRASS (See chart below).....	4/VAT

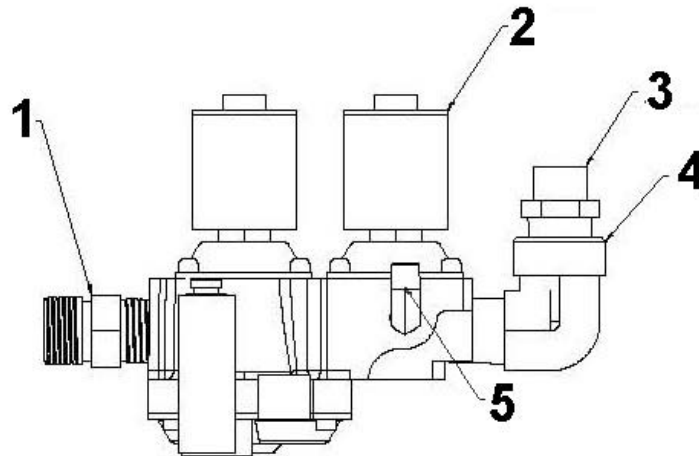
PART NO.	DIMENSION "A" ORIFICE DRILL SIZE (ORIFICE DIAMETER)	GAS TYPE	ALTITUDE
76921-001	#45 (ø.082)	NATURAL I2H, I2E	<5301
76921-002	1.30mm (ø.0512)	PROPANE I3P	ALL
76921-003	#44 (ø.086)	NATURAL	5302 - 7701
76921-004	#43 (ø.089)	NATURAL	7702 - 10101
76921-005	#42 (ø.0935)	I2S	
76921-006	#51 (ø.067)	I2E+	
76921-007	2.30mm (ø.0906)	I2L	
76921-008	1.25mm (ø.0492)	I3B/P	

√ recommended parts

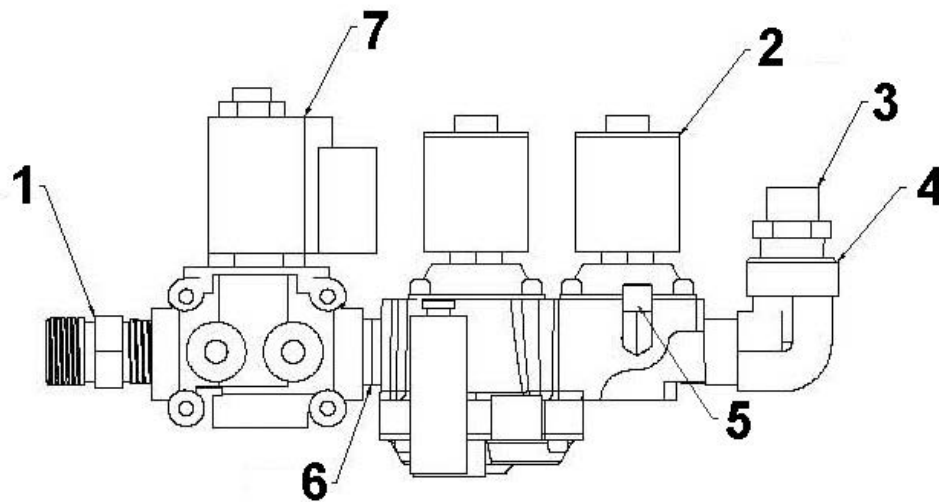


Item No.	Part No.	Description	Quantity
1	77679	CASTER - 4" .....	2
√ 2	78118	VALVE - GAS CONTROL - NAT .....	1/vat
√ 2	78517	VALVE - GAS CONTROL - LP .....	1/vat
√ 3	73647	SOLENOID - ASCO - 120V (JIB Solenoids) .....	2
√ 3	74582	SOLENOID - ASCO - 230V (JIB Solenoids) .....	2
√ 4	73473	PUMP - OIL TOP OFF - 120V .....	1
√ 4	74583	PUMP - OIL TOP OFF - 230V .....	1
5	77575	CASTER - 4" - W/BRAKE .....	2

√ recommended parts

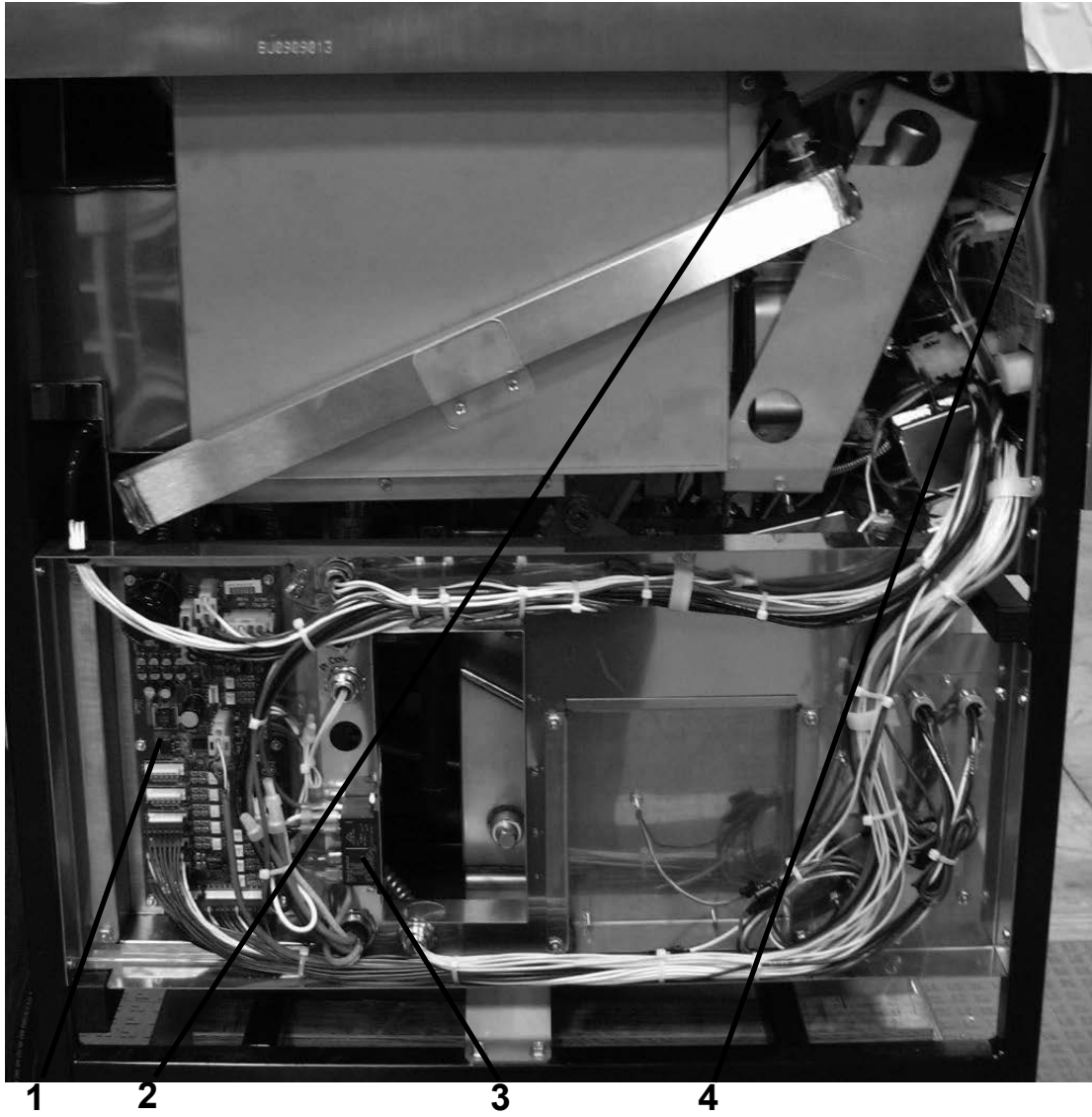


**NON-CE GAS VALVE ASSEMBLY**



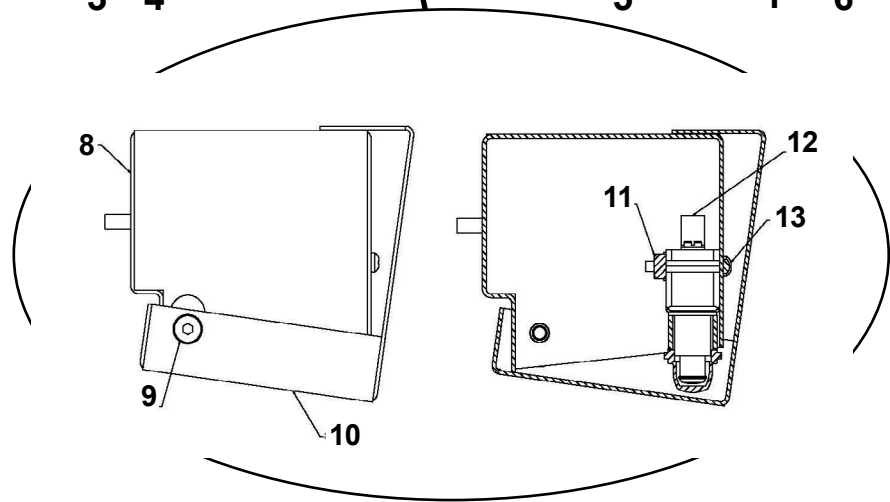
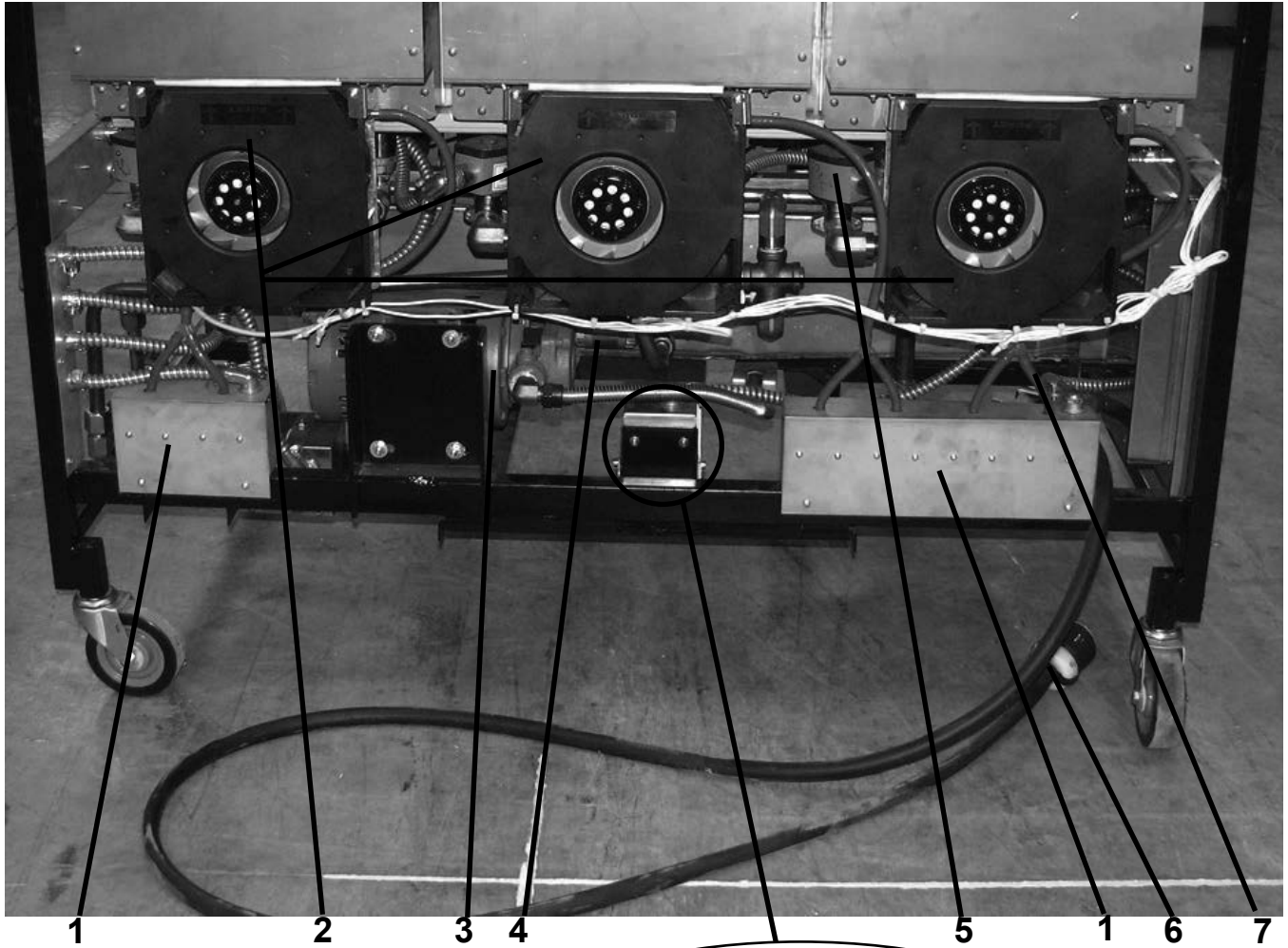
**CE GAS VALVE ASSEMBLY**

Item No.	Part No.	Description	Quantity (per assy)
1	16807	FITTING - MALE CONNECTOR.....	1
√ 2	78118	VALVE - GAS CONTROL - NAT.....	1
√ 2	78517	VALVE - GAS CONTROL - LP.....	1
3	FP01-211	CONNECTOR - MALE 1/2 TUBE TO 1/2 NPT.....	1
4	16239	ELBOW - STREET - 90 DEGREES.....	1
5	FP05-004	ELBOW - 1/4 TUBE TO 1/8 PIPE Z.....	2
6	FP01-028	NIPPLE - CLOSE 1/2 NPT SS 1 LG.....	1
√ 7	34802	VALVE - SOLENOID GAS - 24V - 50/60 HZ.....	2



Item No.	Part No.	Description	Quantity
√ 1	84454RB	PC BOARD - AIF FILTER .....	1
√ 2	79213	TRANSDUCER - PRESSUER 30 PSI .....	1
√ 3	ME90-008	RELAY - PUMP MOTOR - 12 VDC - 30 AMP .....	1
4	84384	HARNESS - PRESSURE TRANSDUCER .....	1
5	51065	ASSY-EMC FILTER BOARD (not shown).....	1
6	80373	BLOCK - TERMINAL POWER - CE (not shown).....	1

√ recommended parts



Item No.	Part No.	Description	Quantity
√ 1	77992	SWITCH - PRESSURE - 0.80 (behind covers).....	1/vat
√ 2	77826-001	MOTOR - BLOWER - 230V.....	1/full; 1/split
√ 2	77826-002	MOTOR - BLOWER - 120V.....	1/full; 1/split
3	67589	PUMP & MOTOR ASSY...(See page 8-18 for details).....	1
√	67583	MOTOR - 1/2 HORSE.....	1
	17437	PUMP - FILTER.....	1
	17476	SEAL KIT.....	1
√ 4	74469	VALVE - CHECK - 1/2" (Vat Fill).....	1/vat
√ 5	73647	SOLENOID - ASCO - 120V (return valves).....	1/vat
√ 5	74582	SOLENOID - ASCO - 230V (return valves).....	1/vat
	140229	---KIT- SOLENOID REPAIR.....	A/R
6	73517	ASSY - POWER CORD 120V.....	1
7	79443	TUBE - PRESSURE SWITCH (see chart below).....	AR
8	80154	WELD ASSY - SWITCH HSG W/BOOT.....	1
9	SC06-070	SCREW - 1/4 DIA X 1/8 L SHLDR SS.....	2
10	80156	COVER - SWITCH HOUSING W/BOOT.....	1
11	NS02-005	NUT - HEX KEPS #6-32 C.....	2
√ 12	80148	ASSY-DRAIN SWITCH W/BOOT.....	1
13	SC01-058	SCREW - #6-32 X 1 PH PHD C.....	2
√ 14	MS01-572*	PRIMER - LOCTITE - .8 OZ. CAN (for check valve threads). ..	1
√ 15*	76095	VALVE-DRAIN ORING SEAL.....	A/R
16	50764	MICROSWITCH-RIGID LEVER.....	A/R

PART NO.	"A"
79443-1	2.500
79443-2	13.000
79443-3	19.000
79443-4	16.000
79443-5	26.000
79443-6	14.000

√ recommended parts  
\*not shown

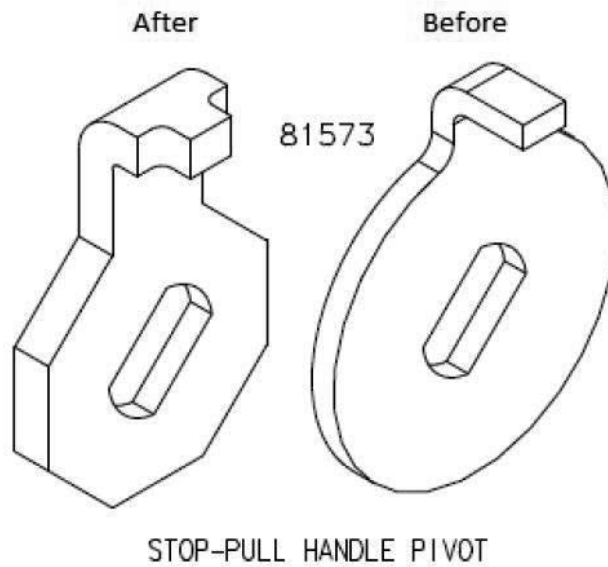


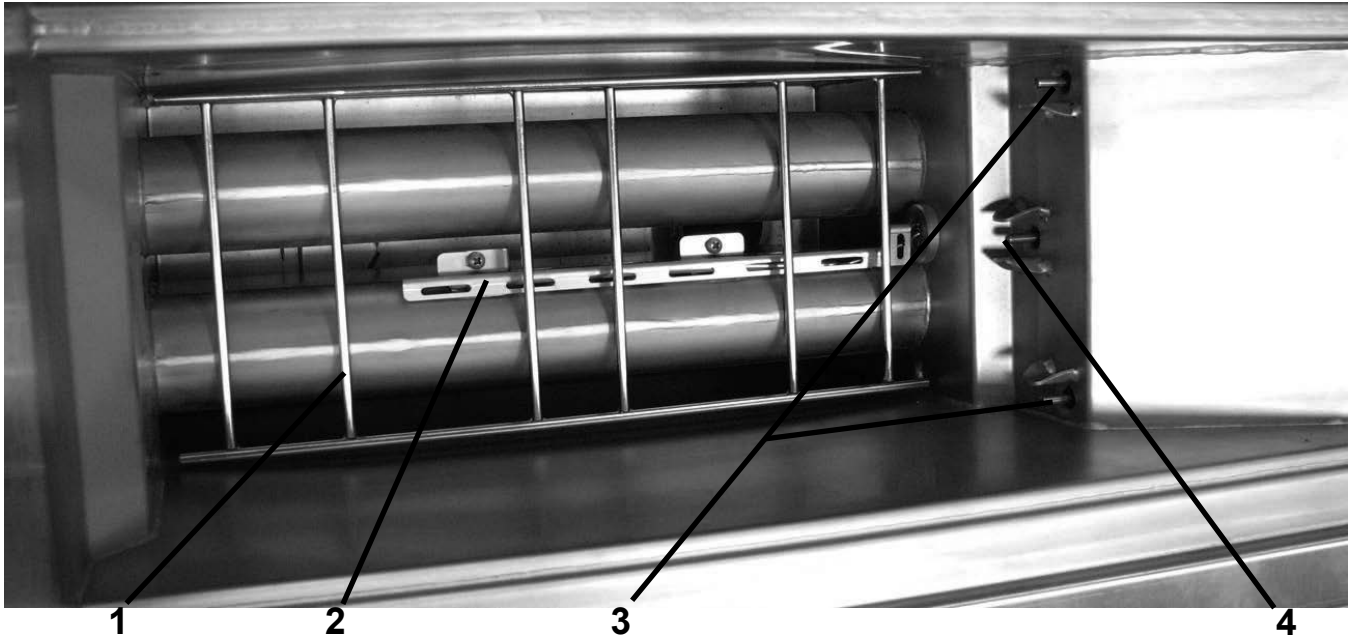
Item No.	Part No.	Description	Quantity
√ 1	81980	LED - 5 mm BLUE .....	1/vat
2	16101	KNOB - SPINDLE - BLACK.....	1/vat
3	76930	PANEL-LH SIDE .....	1
4	81185	ASSY-LH DOOR .....	1
4	81847	ASSY-LH DOOR - EEG-144 ONLY.....	1
√ 5	77839	MODULES - IGNITION.....	1/vat
6	81190	ASSY - RH DOOR .....	1 or 2
√ 7	52224	SWITCH - POWER.....	1
8	76931	PANEL-RH SIDE .....	1
√ 9	81943RB	ASSY - CONTROL - EEX .....	A/R
9	84417RB	ASSY-EVOLUTION ELITE AUTO CONT.....	A/R
10	03647	COVER - SPLIT VAT.....	1/vat
10	03646	COVER - FULL VAT.....	1/vat
11	77842	HANGER-BASKET - EEG-142.....	1
11	77709	HANGER-BASKET - EEG-143.....	1
11	77934	HANGER-BASKET - EEG-144.....	1

√ recommended parts



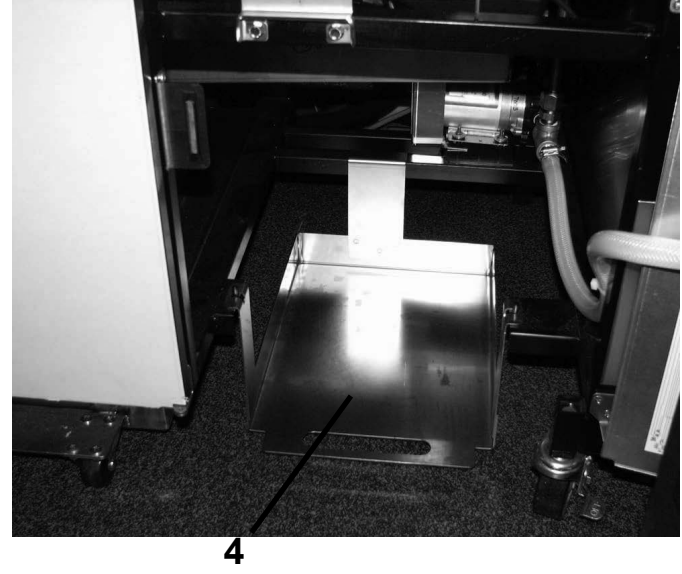
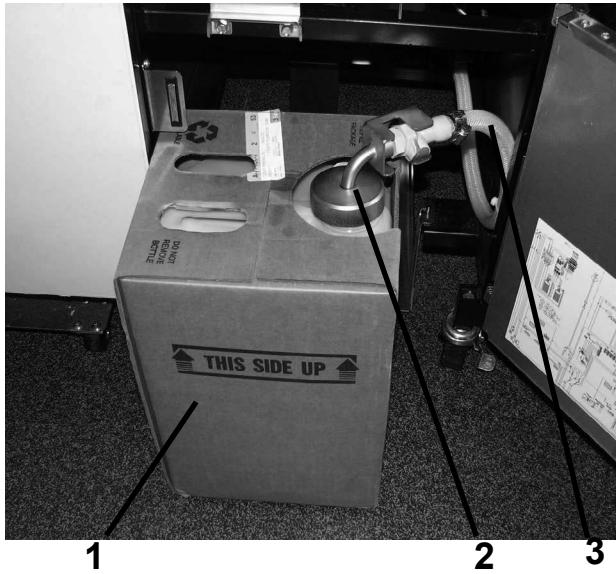
<b>Pivot Stop Drain Handle</b>				
<b>Models</b>	<b>Kit / Part Numbers</b>			
		74626 17255 NS03-103	81753 17255 NS03-103	140175
<i>Full &amp; Split Vats:</i> EEg-141, 142, 143 & 144		SN: BW1201006 & After (Jan. 23, 2012)		Before SN: BW1201006





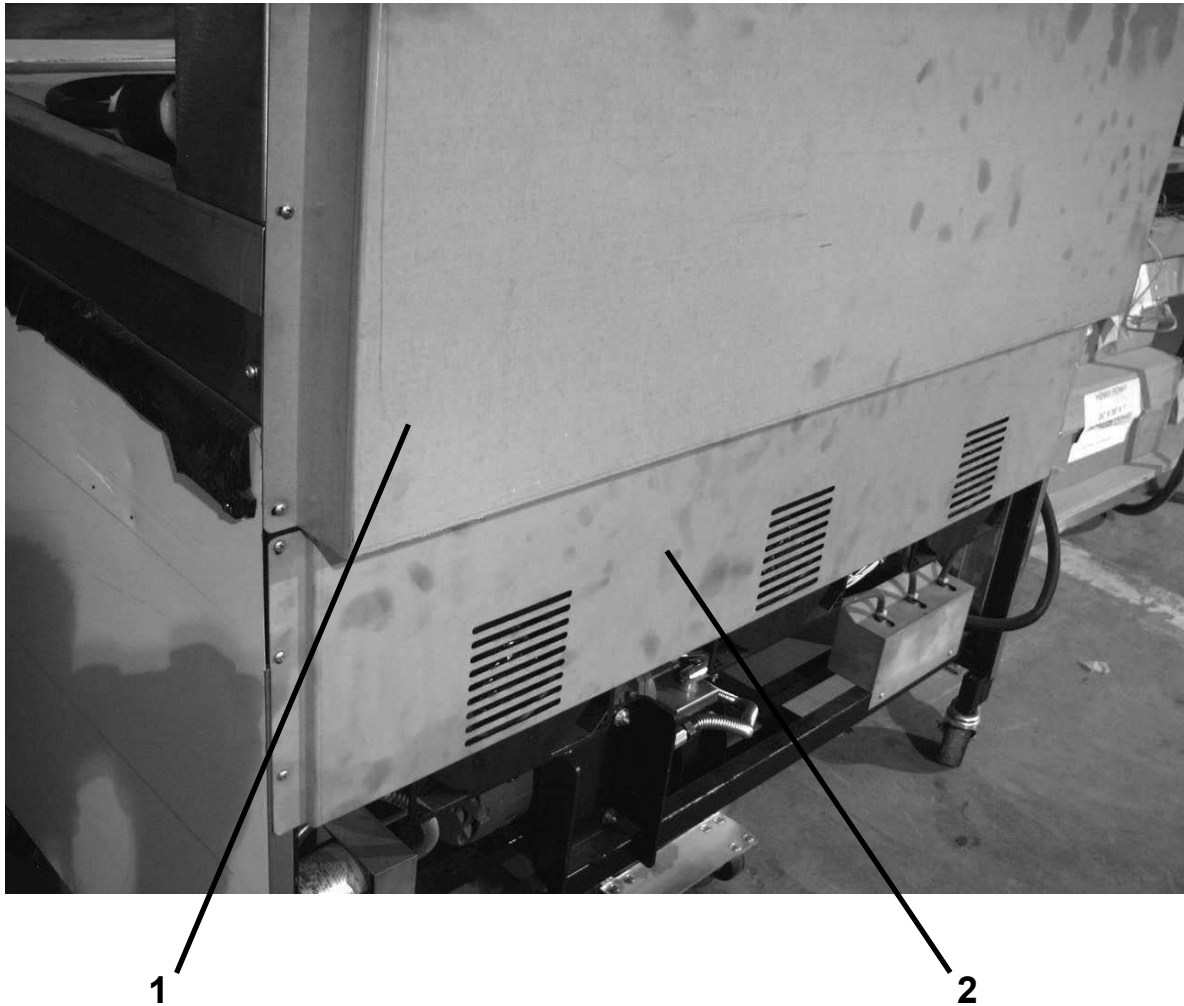
Item No.	Part No.	Description	Quantity
√ 1	76980	RACK - SPLIT VAT .....	1/vat
√ 1	76982	RACK - FULL VAT .....	1/vat
2	77061	GUARD - HIGH LIMIT .....	1/vat
√ 3	14974	PROBE - LEVEL SENSE - 2.5 in. ....	2/vat
√ 4	14974	PROBE - TEMPERATURE - 2.5 in. ....	1/vat

√ recommended parts

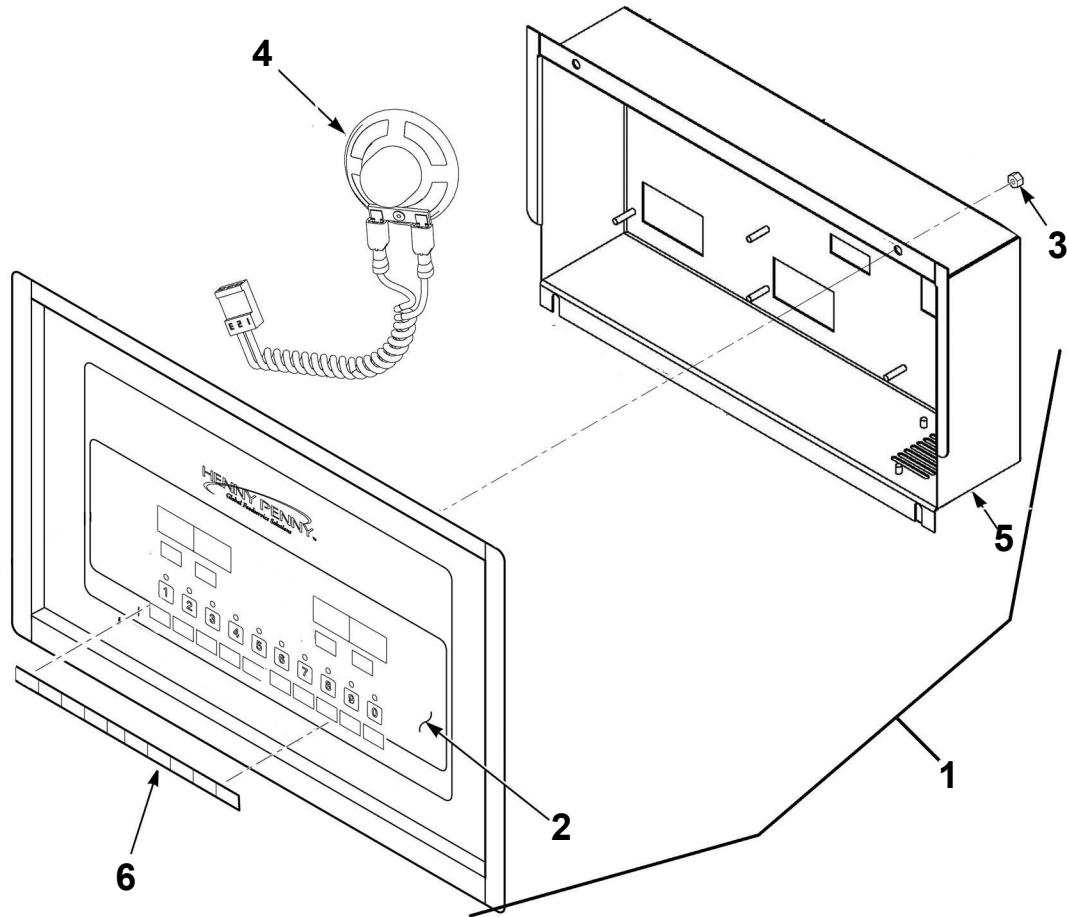


Item No.	Part No.	Description	Quantity
1	03617	ACCESSORY-JUG-AUTO TOP OFF (EMPTY).....	1
2	78992	ASSY-JIB TUBE & QUICK DISC.....	1
2	80490	ASSY-INT'L. JIB TUBE & QUICK DISC .....	1
√	MS01-561	O-RING - JIB TUBE (not shown) .....	1
√ 3	77288	ASSY - HOSE.....	1
4	77630	WELD ASSY - JIB SHELF .....	1

√ recommended parts



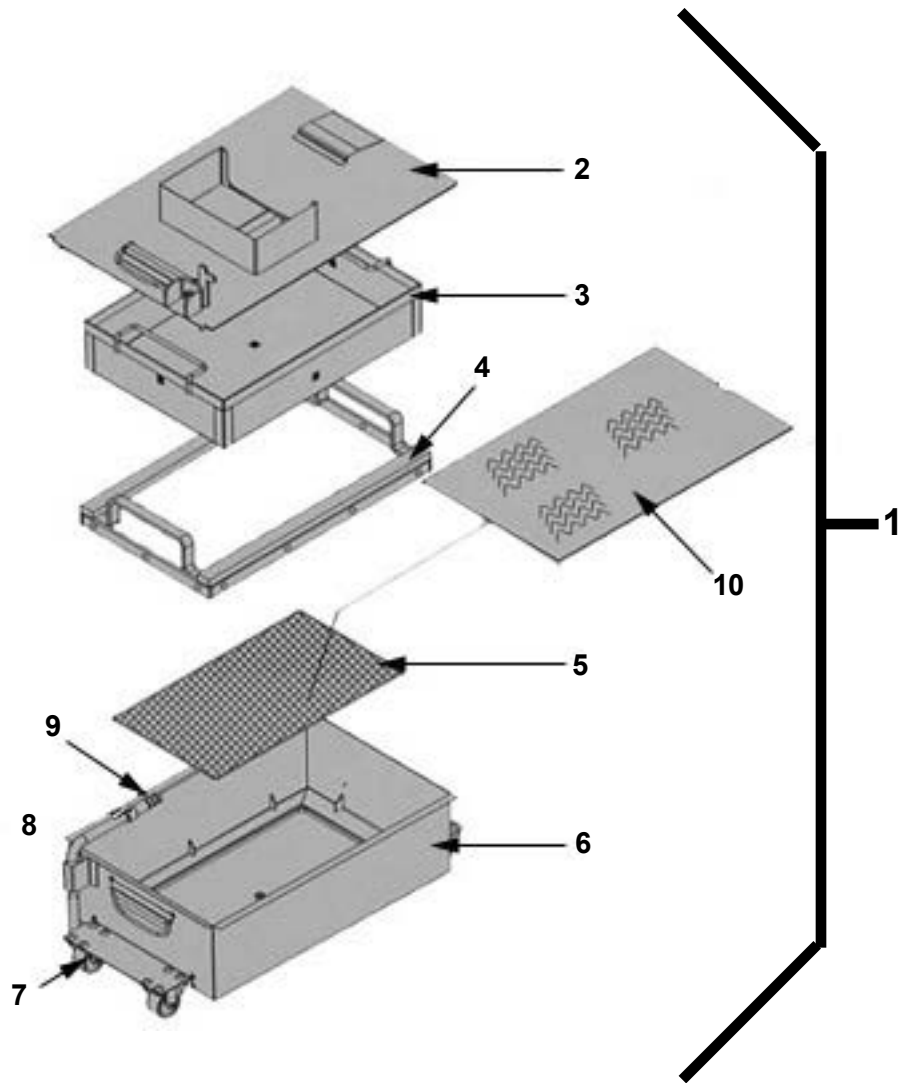
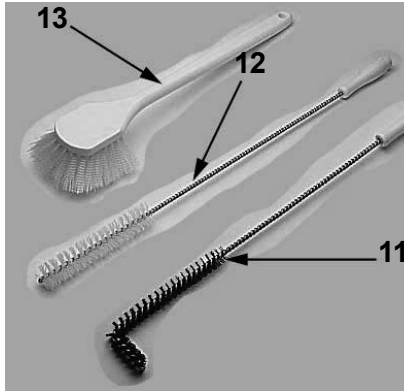
Item No.	Part No.	Description	Quantity
1	78305	COVER - REAR SHROUD - EEG-142 .....	1
1	77664	COVER - REAR SHROUD - EEG-143 .....	1
1	79565	COVER - REAR SHROUD - EEG-144 .....	1
2	83700	COVER - REAR - LOWER - EEG-142 .....	1
2	84161	COVER - REAR - LOWER - EEG-143 .....	1
2	84162	COVER - REAR - LOWER - EEG-144 .....	1



Item No.	Part No.	Description	Quantity
√ 1	81943RB	ASSY - EEE14X CONTROL.....	*
√ 2	81354	DECAL - EVOLUTION ELITE CONTROL.....	1/control
3	NS02-005	NUT - HEX KEPS #6-32 C.....	23/control
√ 4	26974	ASSY - SPEAKER.....	1/control
5	82085	STUD ASSY - CONTROL PANEL COVER.....	1/control
6	81612	MENU CARD - EVOLUTION.....	1/control
6	81613	MENU CARD - BLANK - EVOLUTIO.....	1/control
7	MS01-571	TOOL - TERMINAL EXTRACTOR (not shown).....	1

\*EEG142=2; EEG143=3; EEG144=4

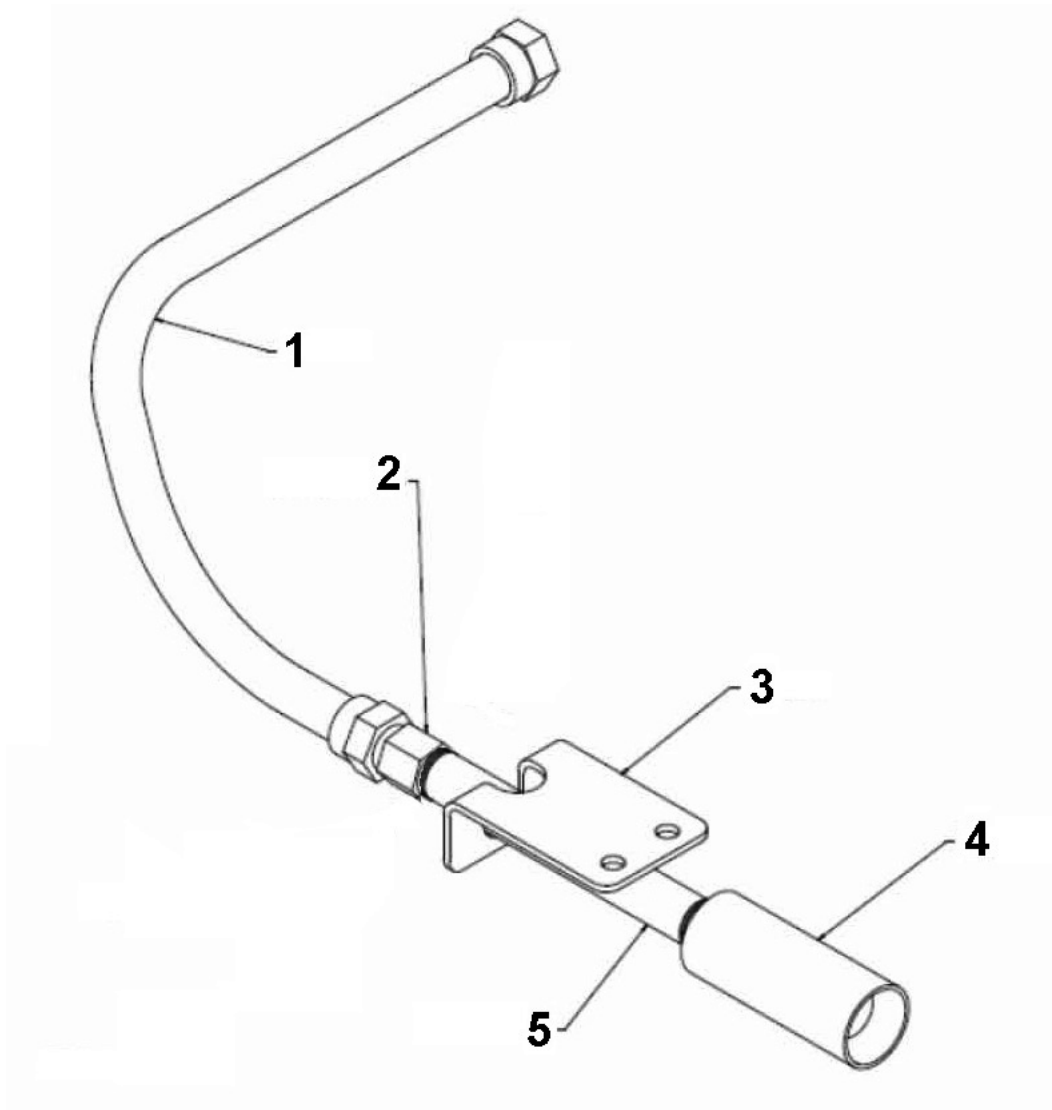
√ recommended parts



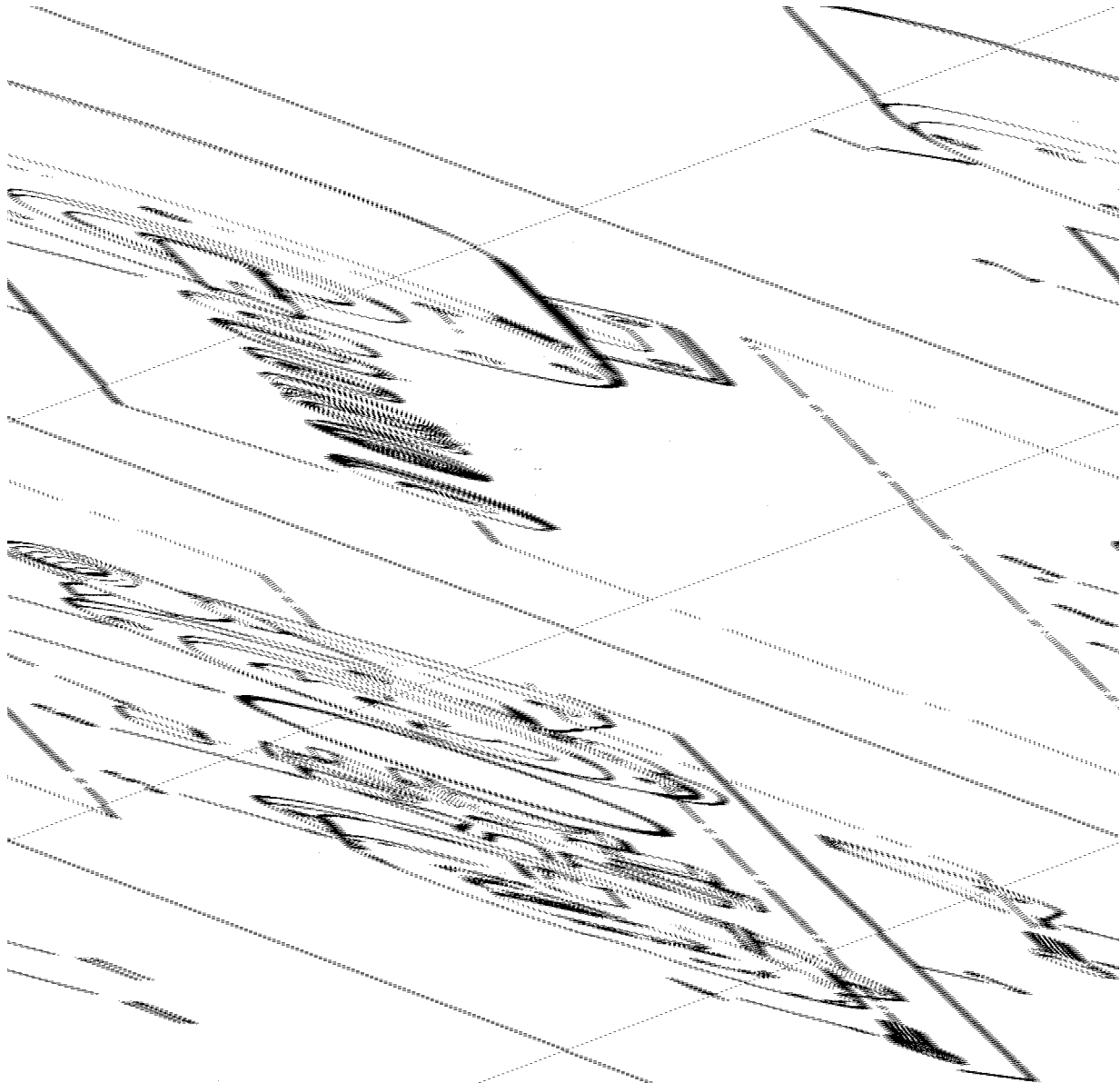
Item No.	Part No.	Description	Quantity
1	78456	ASSY - DRAIN PAN .....	1
2	82674	ASSY-DRAIN PAN COVER.....	1
3	76259	WELD ASSY-CRUMB CATCHER .....	1
4	76179	WELD ASSY-FILTER WEIGHT .....	1
5	76375	FILTER-SECTION .....	1
6	82672	WELD ASSY-DRAIN PAN (Less Cover) .....	1
7	52487	CASTER - DRAIN PAN.....	4
8	74573	ADAPTOR - PUMP TO PICKUP TUBE.....	1
√ 9	74189	O-RING-PICKUP TUBE.....	3
√ 10	*12074	SMART FILTERS (PAD) - 30 COUNT- .....	1
√ 10	*12076	SMART FILTERS (PAPER).....	1
√ 11	12126	BRUSH - BLACK L.....	1
√ 12	12112	BRUSH - STRAIGHT WHITE .....	1
√ 13	12116	BRUSH - FRYER - LONG HANDLE .....	1

\*12074- 11.25"X 19.125"

\*12076- 25.5"X 16.5"



Item No.	Part No.	Description	Quantity
1	77523	TUBE-SUCTION 18 IN L DORMONT.....	1
2	FP01-206	CONNECTOR-3/8 NPT FEM 45 FLARE .....	1
3	77259	BRACKET-PLUG AND PLAY .....	1
4	77248	ADAPTER-TUBE END .....	1
5	FP01-204	NIPPLE-3/8 NPT X 6IN L BLACK.....	1

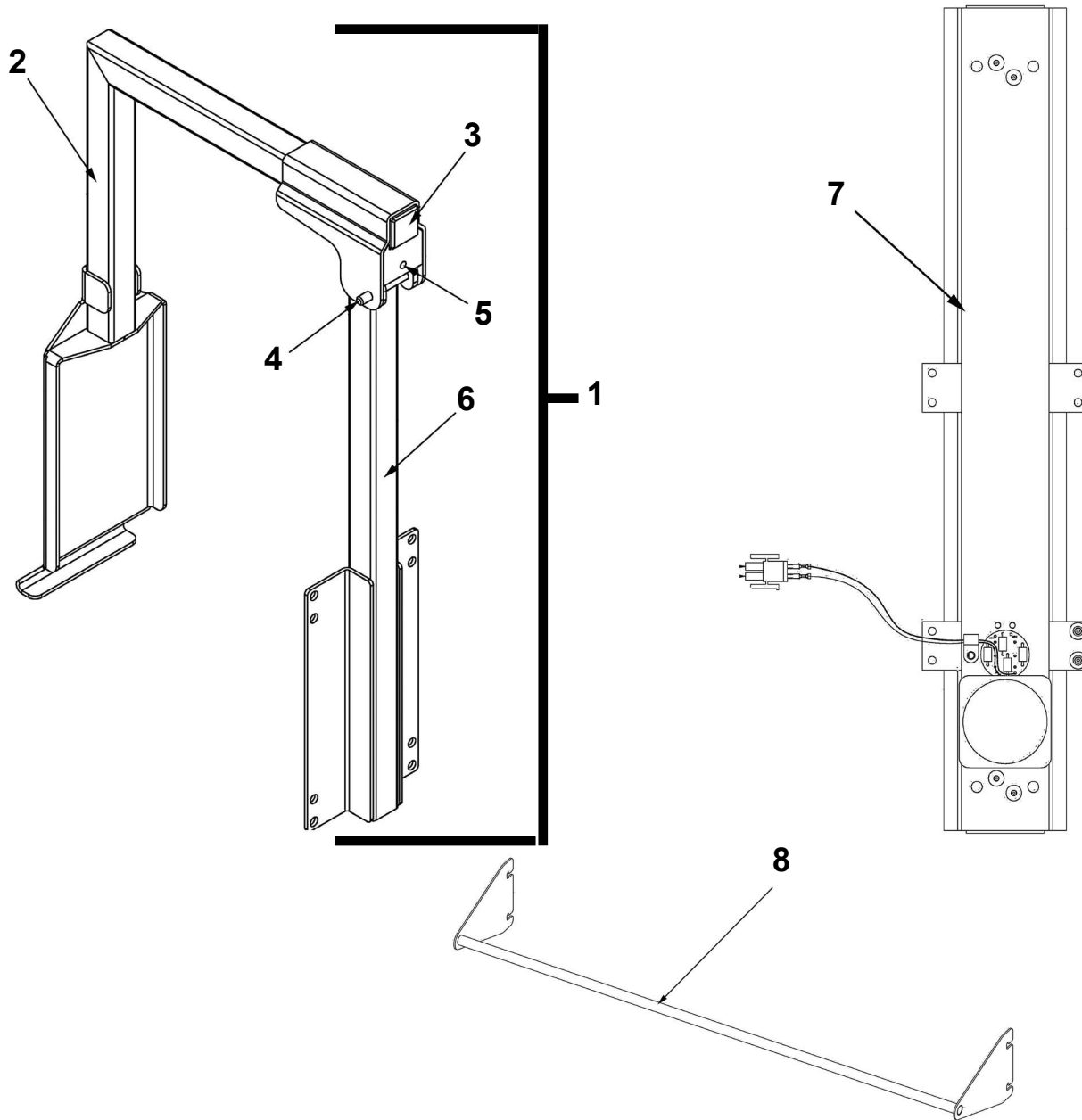


**Filter Motor and Pump**

Item No.	Part No.	Description	Quantity
√ 1	67583	MOTOR, 1/2 HP - 50/60 Hz.....	1
√ 2	17476	SEAL KIT.....	1
3	17437	PUMP ASSEMBLY.....	1
√ 4	SC01-132	SCREW, Pump Cover.....	1
√ 5	17451	COVER, Pump.....	1
√ 6	17447	ROTOR, Pump.....	1
√ 7	17446	ROLLER, Pump.....	5
√ 8	17453	O-RING.....	1
√ 9	17454	BODY, Pump.....	1
√ 10	17456	SHIELD, Pump.....	2
√ 11	SC01-026	SCREW, Pump Shield.....	1



# AUTO-LIFT PARTS



Item No.	Part No.	Description	Quantity/Vat
1	83982	ASSY - BREAKAWAY HINGE.....	2/full; 1/split
2	84279	WELD ASSY - HINGED BASKET HANGER .....	2/full; 1/split
3	15212	PLUG - TUBING SQUARE.....	2/full; 1/split
4	83925	PIN - 1/4 x 2.25 HINGE.....	2/full; 1/split
4*	MS01-578	SHIM .....	6/full; 3/split
5*	SC01-267	SCREW - 1/4-28 x 1 HEX HD SS .....	2/full; 1/split
5*	NS01-018	NUT .....	2/full; 1/split
6	83680	WELD ASSY - BREAKAWAY HINGE .....	2/full; 1/split
B 7	85022	ASSY - EE AUTOLIFT ACTUATOR & CONNECTOR.....	2/full; 1/split
8	84470	WELD ASSY - AUTOLIFT REAR GUARD - 2 WELL .....	1
8	84913	WELD ASSY - AUTOLIFT REAR GUARD - 3 WELL .....	1
8	84918	WELD ASSY - AUTOLIFT REAR GUARD - 4 WELL .....	1
9*	140273	EE-AUTOLIFT ACTUATOR MOTOR .....	A/R
9*	140274	EE-AUTOLIFT ACTUATOR SWITCH.....	A/R

Recommend Parts: A=Truck Stock/B=Dist. Stock / \*not shown