

SECTION 7. PARTS INFORMATION

7-1. INTRODUCTION

This section lists the replaceable parts of the Henny Penny Model EEG fryer.

7-2. GENUINE PARTS

Use only genuine Henny Penny parts in your fryer. Using a part of lesser quality or substitute design may result in damage to the unit or personal injury.

7-3. WHEN ORDERING PARTS

Once the parts that you want to order have been found in the parts list, write down the following information:

Item Number	<u>2</u>	
Part Number	<u>60241</u>	Example:
Description	<u>High Limit</u>	

From the data plate, list the following information:

Product Number	<u>01100</u>	
Serial Number	<u>0001</u>	Example:
Voltage	<u>208</u>	

7-4. PRICES

Your distributor has a price parts list and will be glad to inform you of the cost of your parts order.

7-5. DELIVERY

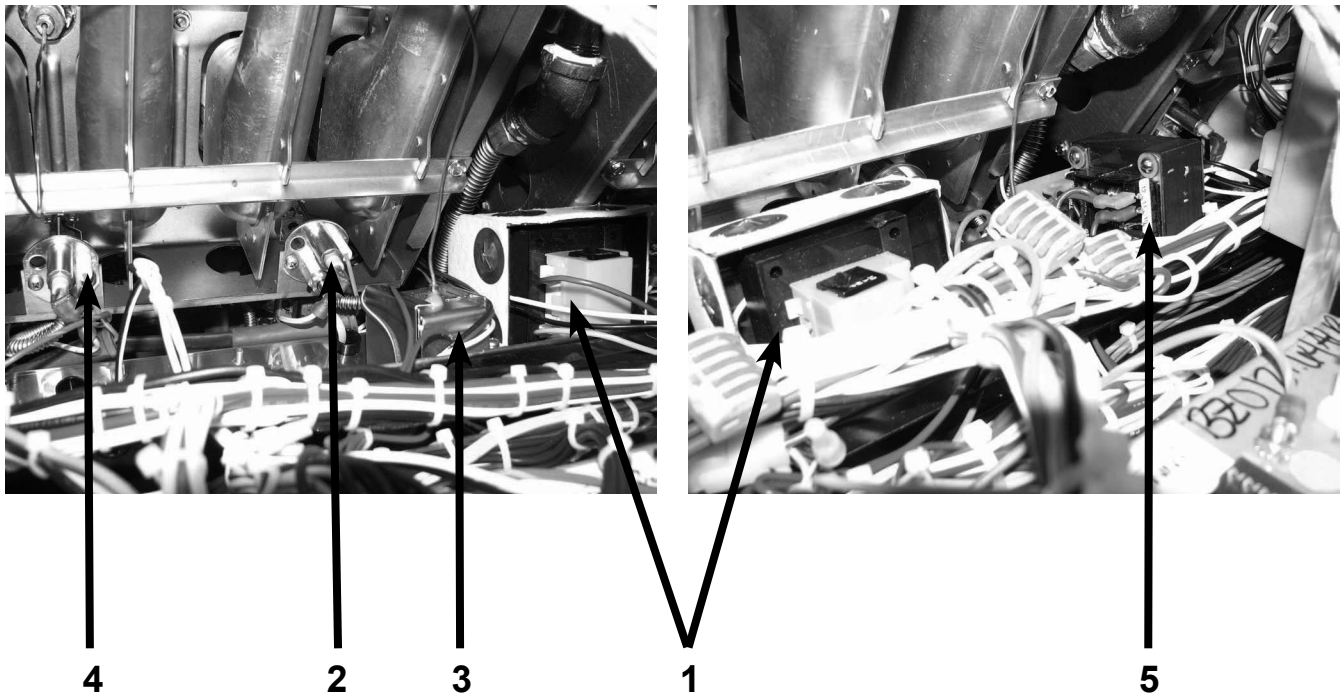
Commonly replaced items are stocked by your distributor and will be sent out when your order is received. Other parts will be ordered, by your distributor, from Henny Penny Corporation. Normally, these will be sent to your distributor within three working days.

7-6. WARRANTY

All replacement parts (except lamps and fuses) are warranted for 90 days against manufacturing defects and workmanship. If damage occurs during shipping, notify the carrier at once so that a claim may be properly filed. Refer to warranty in the front of this manual for other rights and limitations.

7-7. RECOMMENDED SPARE PARTS FOR DISTRIBUTORS

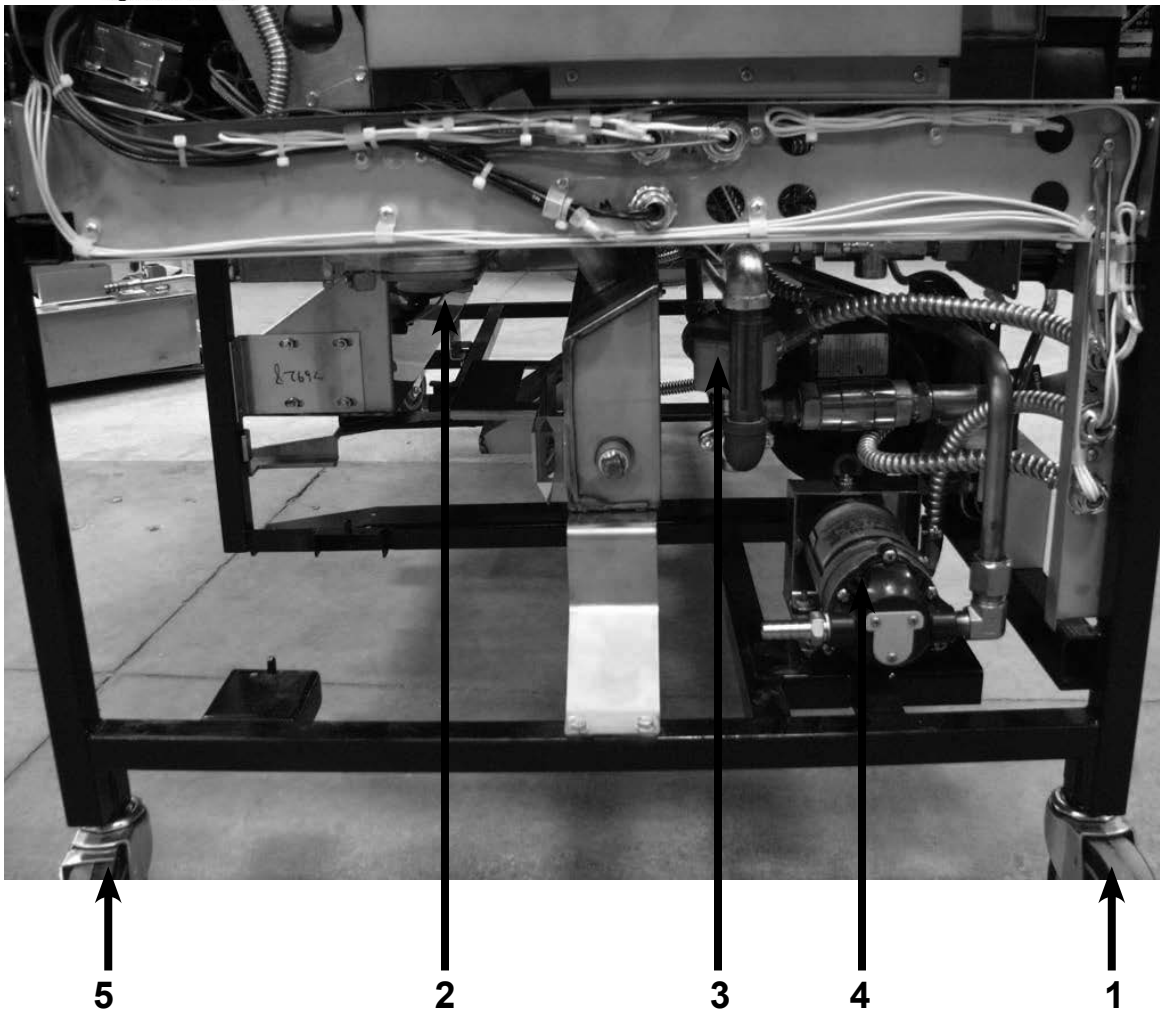
Recommended replacement parts, stocked by your distributor, are indicated with √ in the parts lists. Please use care when ordering recommended parts, because all voltages and variations are marked. Distributors should order parts based upon common voltages and equipment sold in their territory.



Item No.	Part No.	Description	Quantity
B 1	TS22-012	TRANSFORMER - AIF	1
A 2	76978	FLAME SENSOR.....	1/vat
A 3	16738	HIGH LIMIT - 450°F.....	1/vat
A 4	75854	ASSY - SPARK IGNITOR (PILOT)	1/vat
A 5	84391	TRANSFORMER - 120 VOLT	1/vat
A 5	80375	TRANSFORMER - 230 VOLT	1/vat
6	76921	ORIFICE - BRASS (See chart below).....	4/VAT

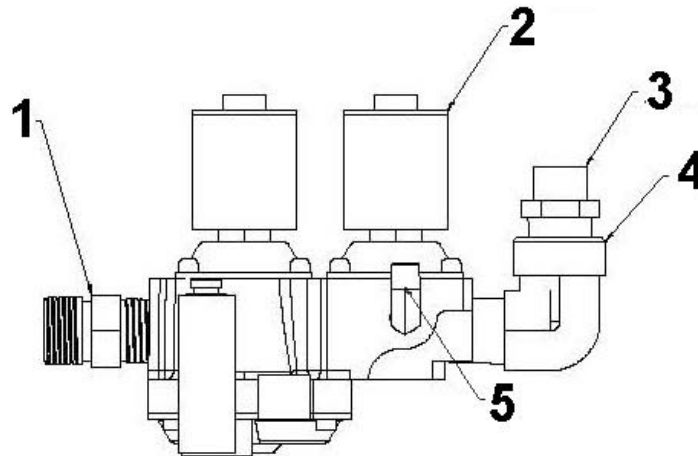
PART NO.	DIMENSION *A* ORIFICE DRILL SIZE (ORIFICE DIAMETER)	GAS TYPE	ALTITUDE
76921-001	#45 (ø.082)	NATURAL	<5301
		I2H, I2E	
76921-002	1.30mm (ø.0512)	PROPANE	ALL
		I3P	
76921-003	#44 (ø.086)	NATURAL	5302 - 7701
76921-004	#43 (ø.089)	NATURAL	7702 - 10101
76921-005	#42 (ø.0935)	I2S	
76921-006	#51 (ø.067)	I2E+	
76921-007	2.30mm (ø.0906)	I2L	
76921-008	1.25mm (ø.0492)	I3B/P	

Recommend Parts: A=Truck Stock/B=Dist. Stock

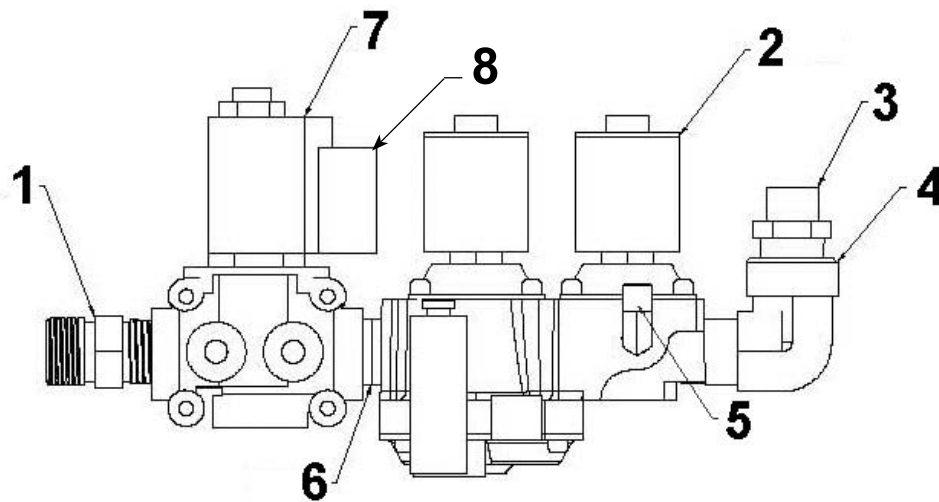


Item No.	Part No.	Description	Quantity
1	77679	CASTER - 4"	2
A 2	78118	VALVE - GAS CONTROL - NAT	1/vat
A 2	78517	VALVE - GAS CONTROL - LP	1/vat
A 3	73647	SOLENOID - ASCO - 120V (JIB Solenoids).....	2
A 3	74582	SOLENOID - ASCO - 230V (JIB Solenoids).....	2
B 4	73473	PUMP - OIL TOP OFF - 120V	1
B 4	74583	PUMP - OIL TOP OFF - 230V	1
5	77575	CASTER - 4" - W/BRAKE	2

Recommend Parts: A=Truck Stock/B=Dist. Stock



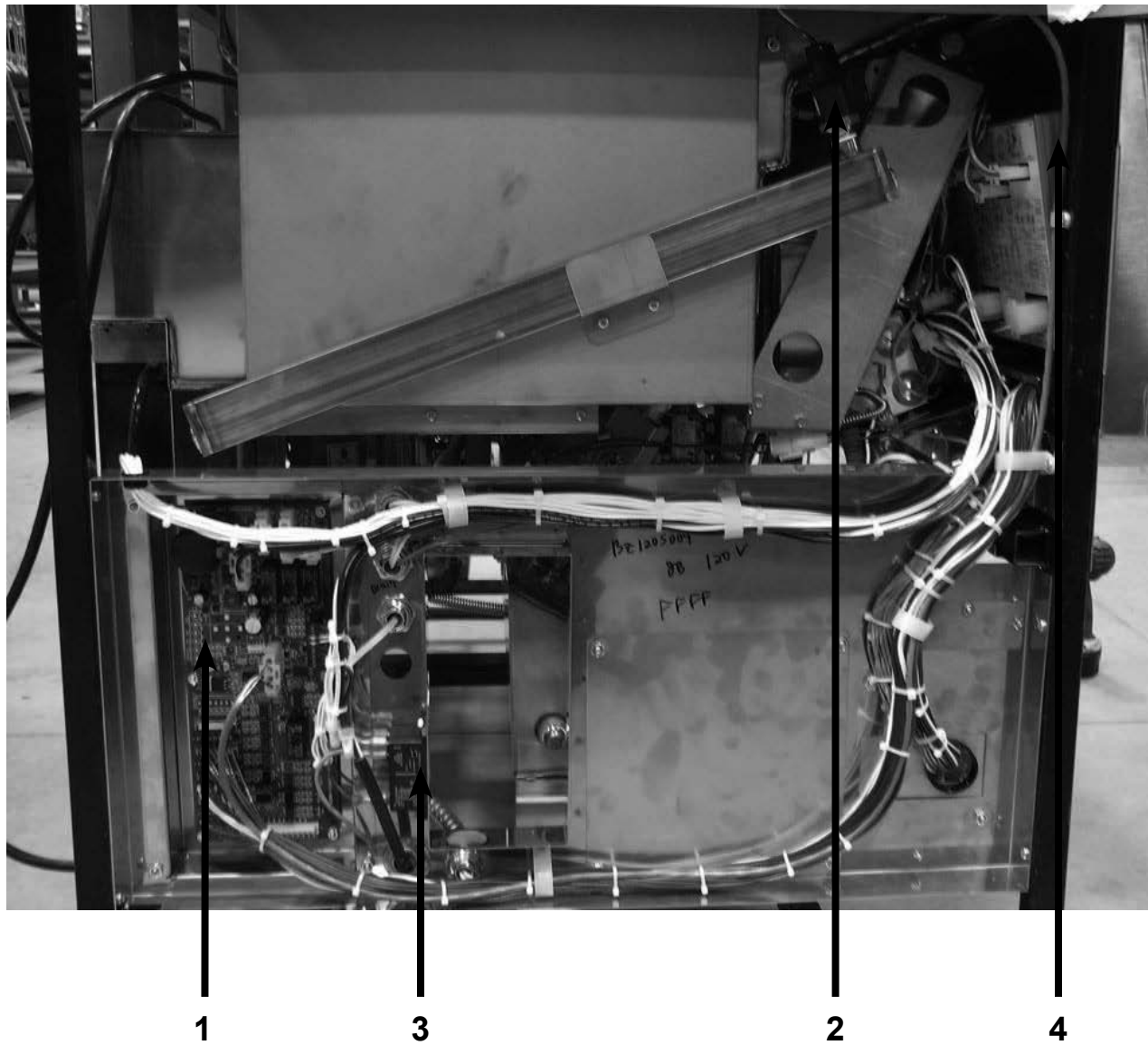
NON-CE GAS VALVE ASSEMBLY



CE GAS VALVE ASSEMBLY

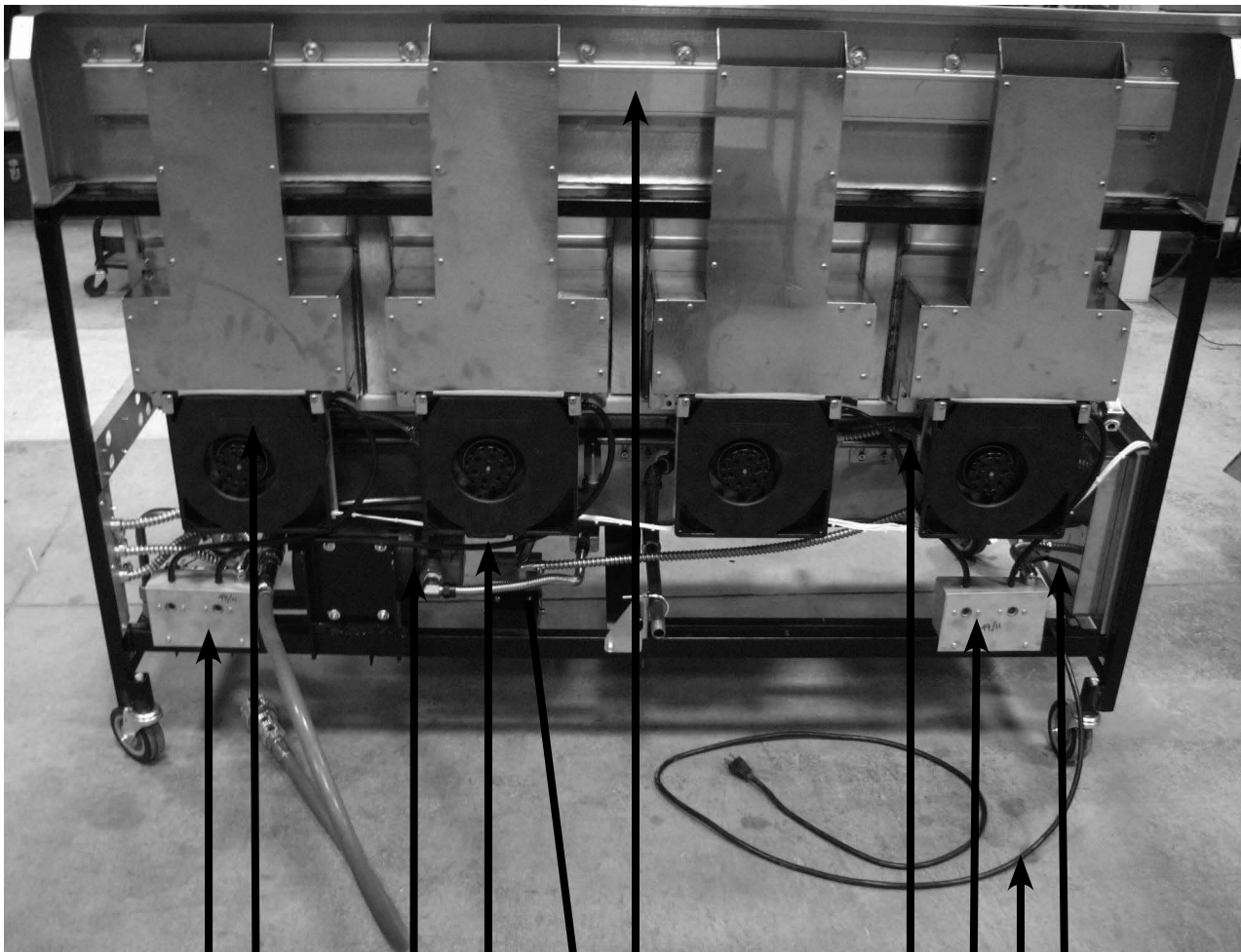
Item No.	Part No.	Description	Quantity (per assy)
1	16807	FITTING - MALE CONNECTOR.....	1
A 2	78118	VALVE - GAS CONTROL - NAT.....	1
A 2	78517	VALVE - GAS CONTROL - LP.....	1
3	FP01-211	CONNECTOR - MALE 1/2 TUBE TO 1/2 NPT.....	1
4	16239	ELBOW - STREET - 90 DEGREES.....	1
5	FP05-004	ELBOW - 1/4 TUBE TO 1/8 PIPE Z.....	2
6	FP01-028	NIPPLE - CLOSE 1/2 NPT SS 1 LG.....	1
A 7	34802	VALVE - SOLENOID GAS - 24V - 50/60 HZ.....	2
8	79823	CONN.-SAFTY SOLENOID VALVE-CE.....	1

Recommend Parts: A=Truck Stock/B=Dist. Stock



Item No.	Part No.	Description	Quantity
B 1	84454RB	PC BOARD - AIF FILTER	1
B 2	79213	TRANSDUCER - PRESSUER 30 PSI	1
B 3	ME90-008	RELAY - PUMP MOTOR - 12 VDC - 30 AMP	1
4	84384	HARNESS - PRESSURE TRANSDUCER	1

Recommend Parts: A=Truck Stock/B=Dist. Stock

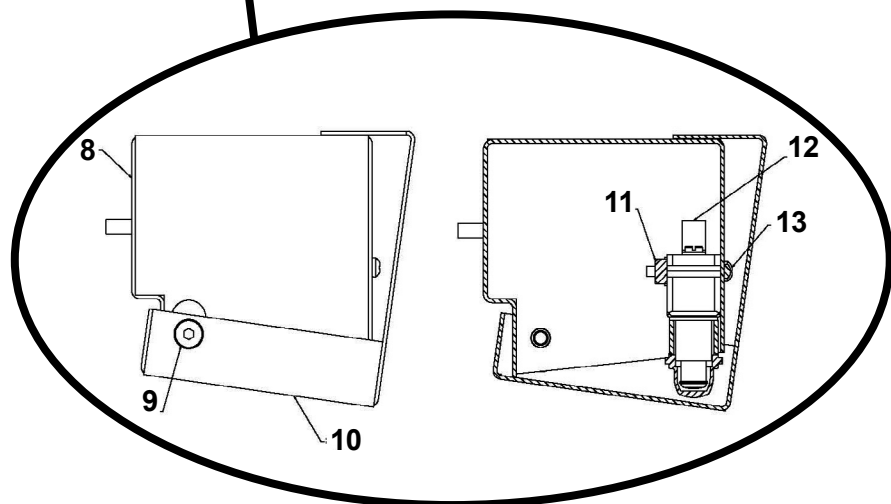


1 2

3 4

15

5 1 6 7

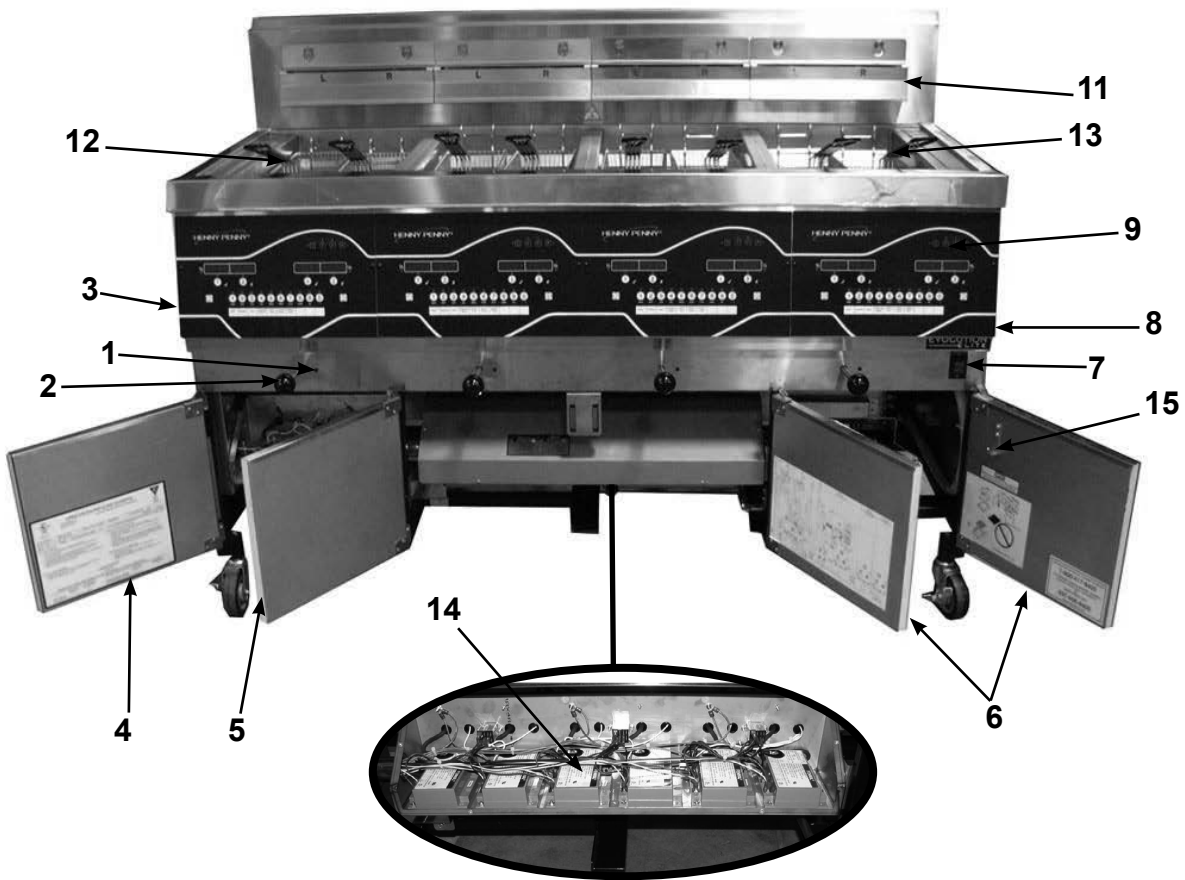


Item No.	Part No.	Description	Quantity
A 1	77992	SWITCH - PRESSURE - 0.80 (behind covers).....	1/vat
B 2	77826-002	MOTOR - BLOWER - 120V.....	1/full
3	67589	PUMP & MOTOR ASSY...(See page 8-18 for details).....	1
A	67583	MOTOR - 1/2 HORSE.....	1
B	17437	PUMP - FILTER.....	1
A	17476	SEAL KIT.....	1
A 4	74469	VALVE - CHECK - 1/2" (Vat Fill).....	1/vat
A 5	73647	SOLENOID - ASCO - 120V (return valves).....	1/vat
A 5	74582	SOLENOID - ASCO - 230V (return valves).....	1/vat
	140229	KIT- SOLENOID REPAIR.....	A/R
6	53656	CORD-690 POWER.....	1
7	79443	TUBE - PRESSURE SWITCH (see chart below).....	AR
8	80154	WELD ASSY - SWITCH HSG W/BOOT.....	1
9	SC06-070	SCREW - 1/4 DIA X 1/8 L SHLDR SS.....	2
10	80156	COVER - SWITCH HOUSING W/BOOT.....	1
11	NS02-005	NUT - HEX KEPS #6-32 C.....	2
A 12	80148	ASSY-DRAIN SWITCH W/BOOT.....	1
13	SC01-058	SCREW - #6-32 X 1 PH PHD C.....	2
A 14*	MS01-572*	PRIMER - LOCTITE - .8 OZ. CAN (for check valve threads).	1
15	91649	REAR SUPPORT-153.....	1
15	92300	REAR SUPPORT-154.....	1

PART NO.	"A "
79443-1	2.500
79443-2	13.000
79443-3	19.000
79443-4	16.000
79443-5	26.000
79443-6	14.000

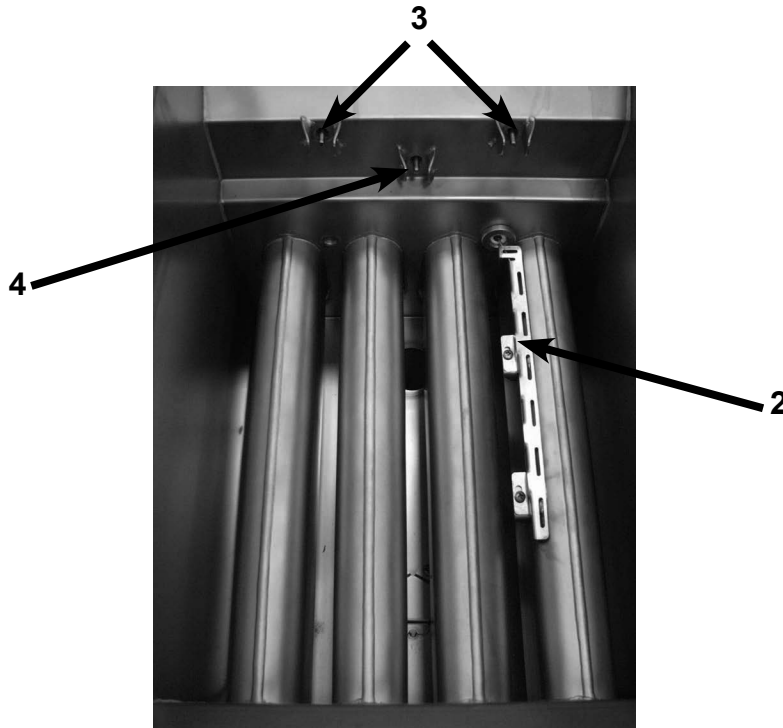
Recommend Parts: A=Truck Stock/B=Dist. Stock

*not shown



Item No.	Part No.	Description	Quantity
B 1	81980	LED - 5 mm BLUE	1/vat
2	16101	KNOB - SPINDLE - BLACK.....	1/vat
3	91671	PANEL-LH SIDE	1
4	92616	ASSY-LH DOOR EEX-154	1
5	92348	ASSY-LH DOOR EEX.....	1
6	92617	ASSY - RH DOOR EEX	2
A 7	52224	SWITCH - POWER.....	1
8	91670	PANEL-RH SIDE	1
B 9	90785	ASSY -EE CONTROL WENDY'S	1/vat
10*	03646	COVER - FULL VAT.....	1/vat
11	151171	HANGER-BASKET - EEG-153/154.....	1/vat
12	90582	BASKET-1/2 SIZE WENDYS EE.....	2
13	83677	BASKET-SPEC WENDYS EE SHORTY-153.....	4
13	83677	BASKET-SPEC WENDYS EE SHORTY-154.....	6
A 14	77839	MODULES - IGNITION.....	1/vat
15	91711	HOOK-CARD HOLDER	1

Recommend Parts: A=Truck Stock/B=Dist. Stock

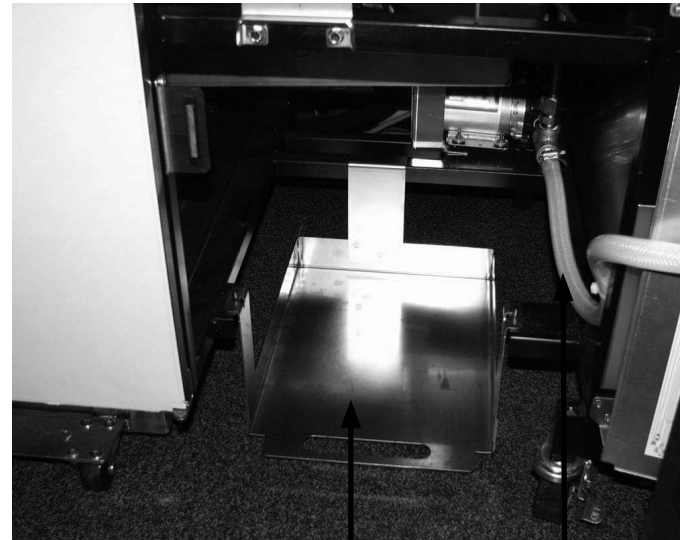


Item No.	Part No.	Description	Quantity
B 1*	76982	RACK - FULL VAT	1/vat
2	77061	GUARD - HIGH LIMIT	1/vat
A 3	14974	PROBE - LEVEL SENSE - 2.5 in.	2/vat
A 4	14974	PROBE - TEMPERATURE - 2.5 in.	1/vat

Recommend Parts: A=Truck Stock/B=Dist. Stock



1



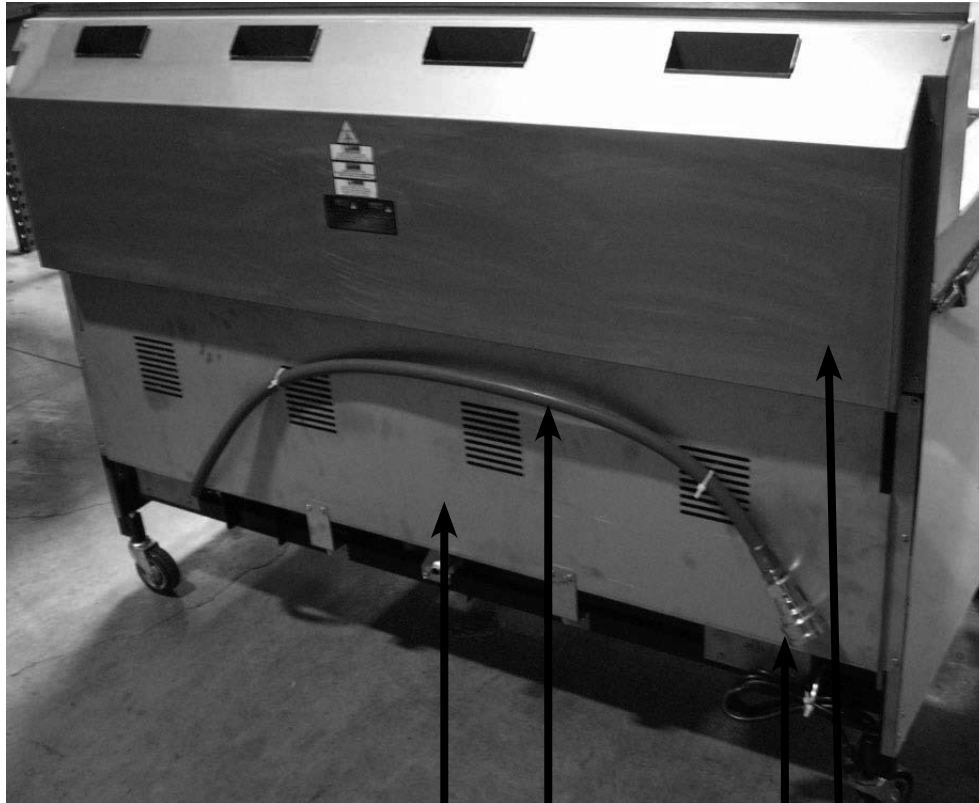
2

3

BIB System

Item No.	Part No.	Description	Quantity
B 1	86295	ASSY-BIB TUBE & QUICK DISC	1
2	85966	WELD ASSY - JIB SHELF	1
B 3	81513	ASSY - HOSE	1

Recommend Parts: A=Truck Stock/B=Dist. Stock



1

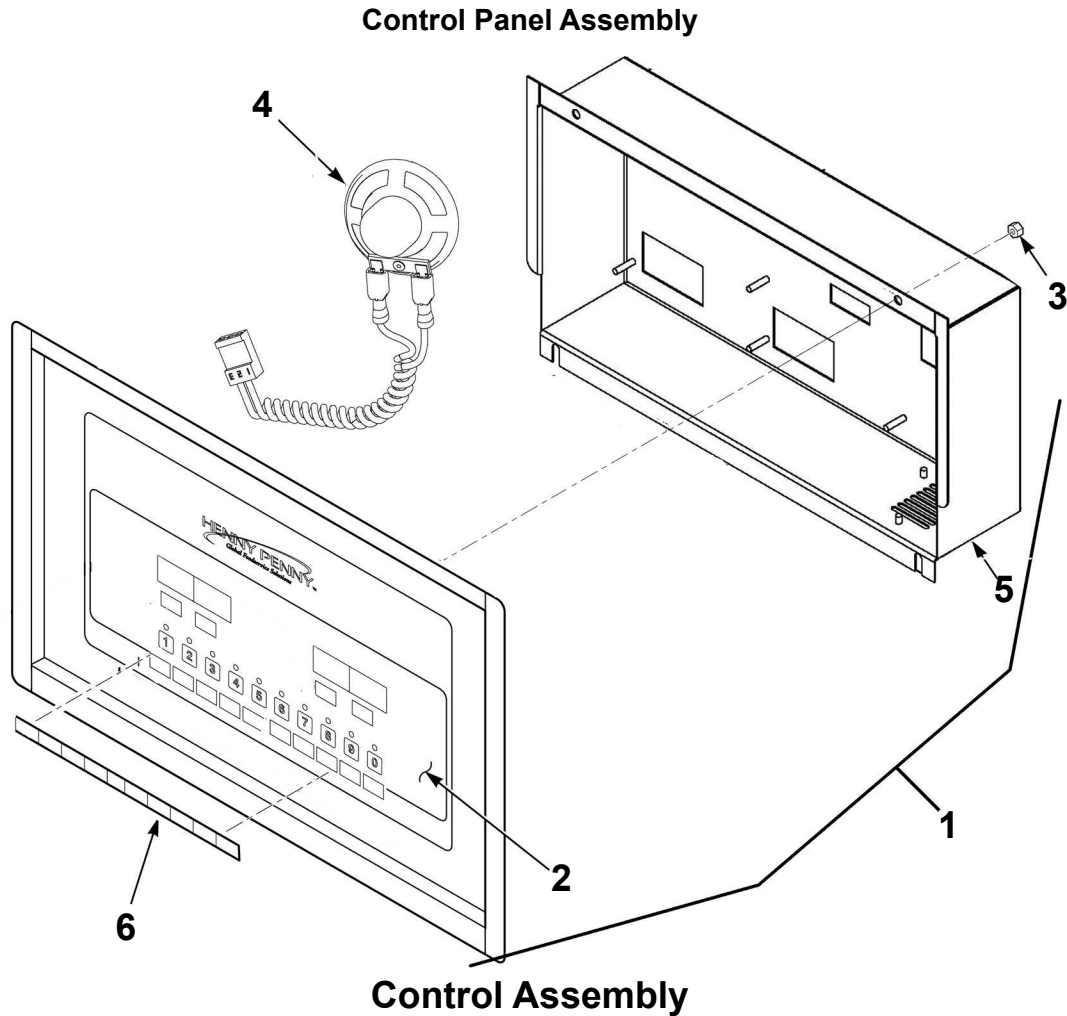
3

4

2

Item No.	Part No.	Description	Quantity
1	86378	COVER - REAR SHROUD - EEG-153	1
1	86414	COVER - REAR SHROUD - EEG-154	1
2	84161	COVER - REAR - LOWER - EEG-153	1
2	84162	COVER - REAR - LOWER - EEG-154	1
B 3	67662	ASSY - DIRECT CONNECT HOSE	1
B 4	21612	DISCONNECT-FEMALE	1

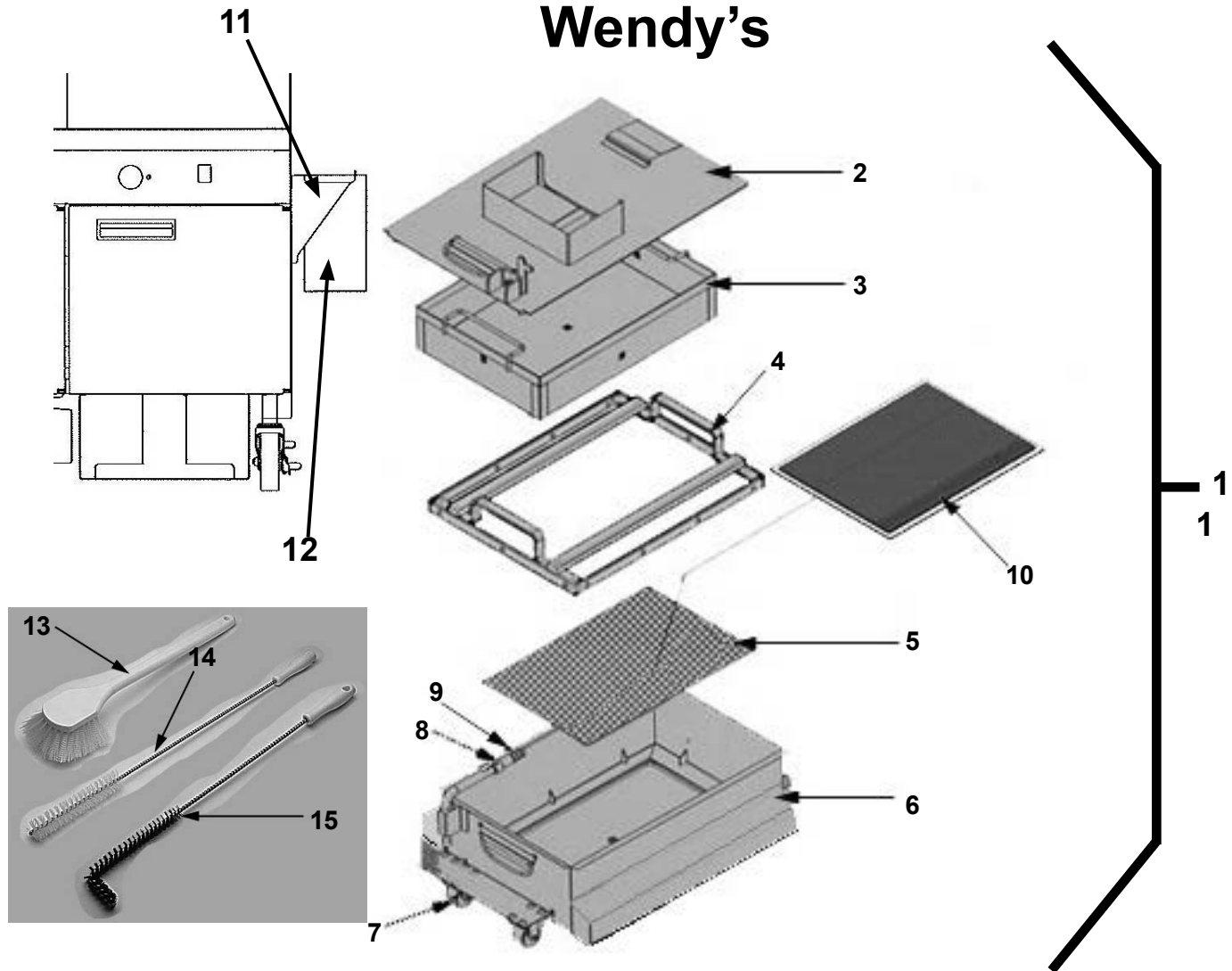
Recommend Parts: A=Truck Stock/B=Dist. Stock



Item No.	Part No.	Description	Quantity
B 1	90785RB	ASSY - EEG15X CONTROL.....	1/vat
2	81354	DECAL - EVOLUTION ELITE® CONTROL	1/control
2	83206	DECAL - EE AUTO-LIFT CONTROL.....	1/control
3	NS02-005	NUT - HEX KEPS #6-32 C	23/control
B 4	26974	ASSY - SPEAKER	1/control
5	82085	STUD ASSY - CONTROL PANEL COVER	1/control
6	86293	MENU CARD - EVOLUTION - WENDY'S.....	1/control
6	81613	MENU CARD - BLANK - EVOLUTION	1/control
A 7	MS01-571	TOOL - TERMINAL EXTRACTOR (not shown)	1
8	84910	ASSY - MMC/SD EVENT LOGGER (not shown).....	1

Recommend Parts: A=Truck Stock/B=Dist. Stock

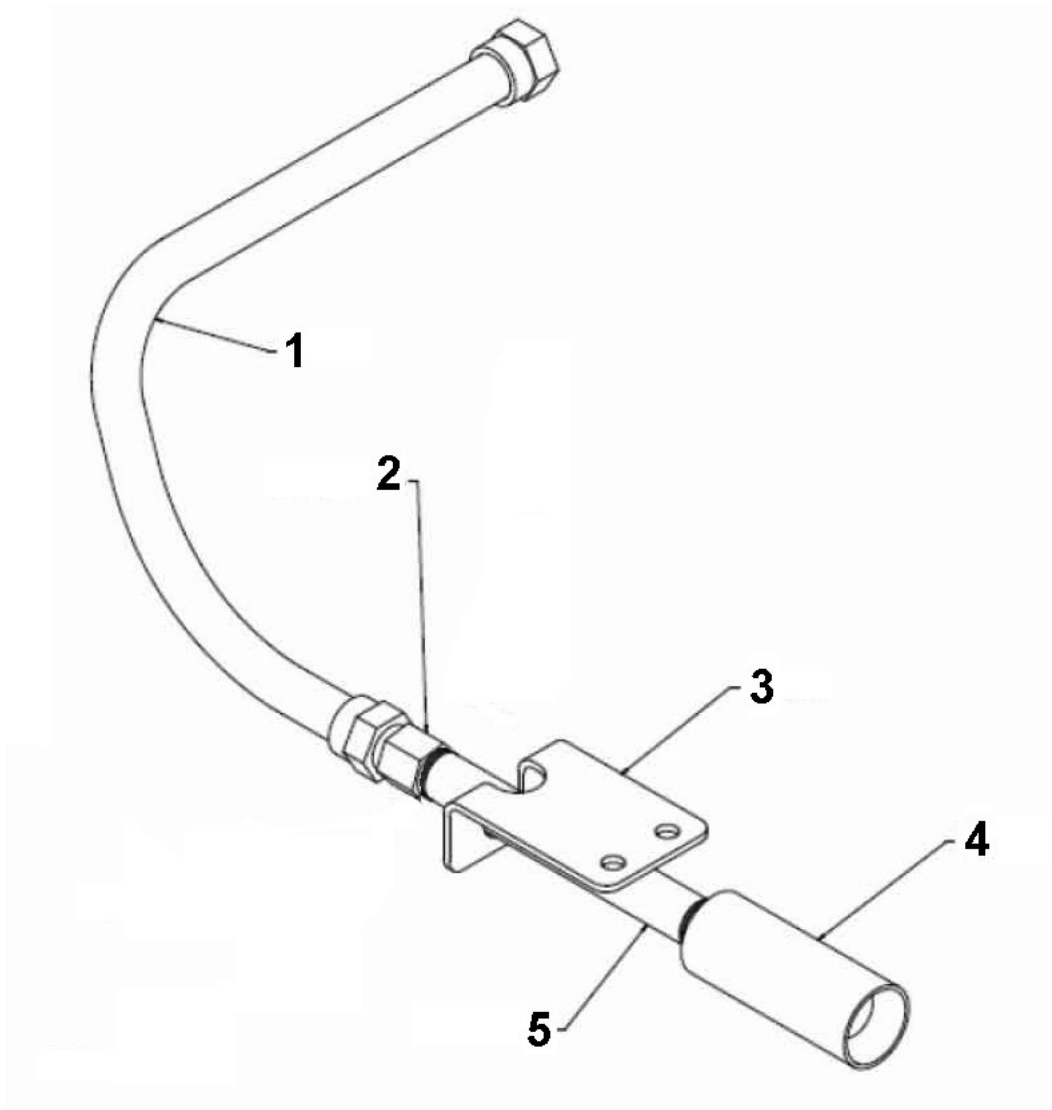
Wendy's



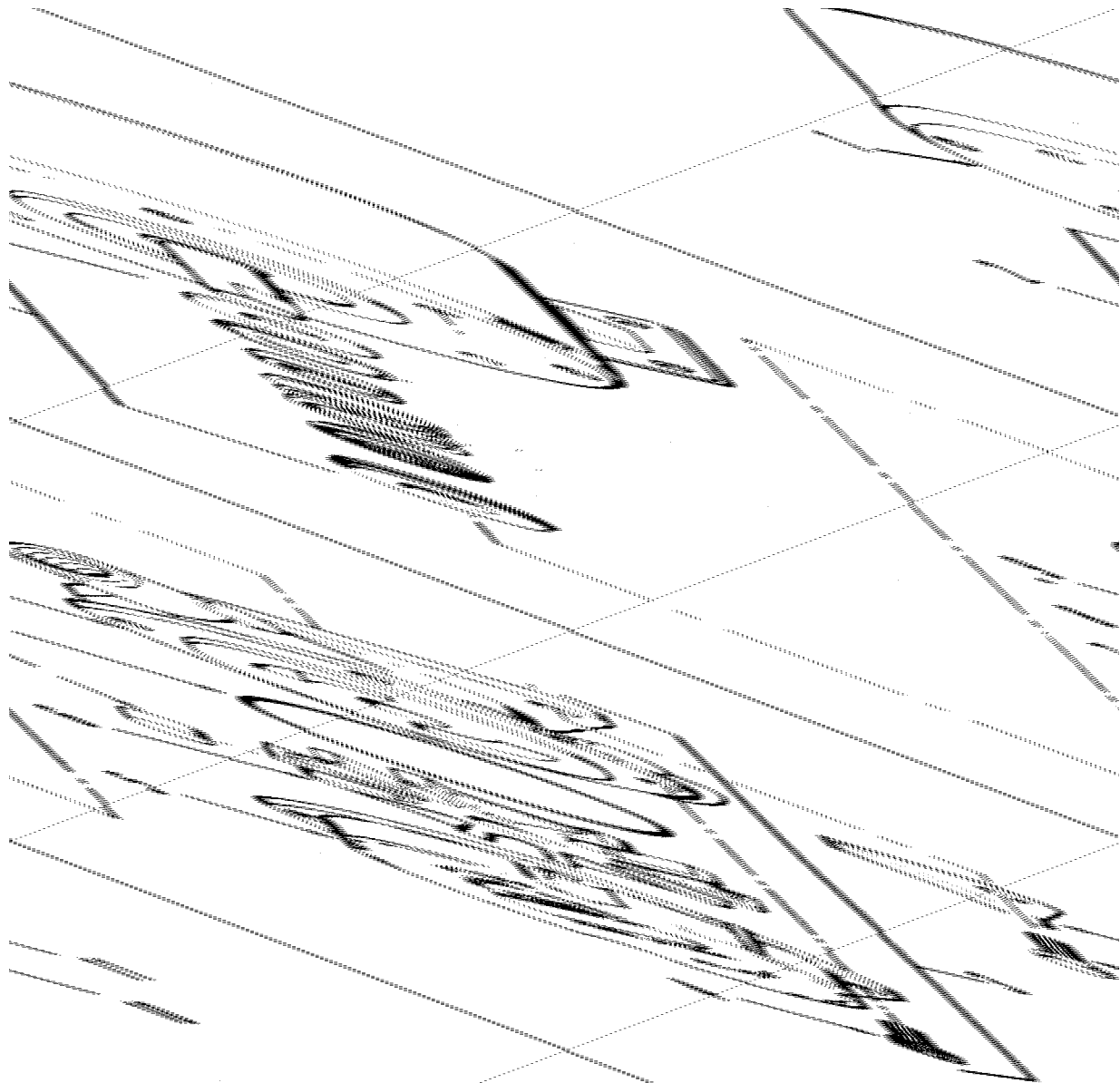
EEG-15X Filter Pan Assembly, Brushes & Accessory Holder

Item No.	Part No.	Description	Quantity
1	91130	ASSY - WIDE DRAIN PAN	1
2	82673	ASSY-DRAIN PAN COVER.....	1
3	76259	WELD ASSY-CRUMB CATCHER	1
4	89416	WELD ASSY-FILTER WEIGHT	1
5	89420	FILTER-SECTION	1
6	89014	WELD ASSY-WIDE DRAIN PAN	1
7	52487	CASTER - FILTER PAN	4
8	85397	ADAPTOR - PUMP TO PICKUP TUBE	1
A 9	85401	O-RING-PICKUP TUBE.....	3
10	**	SPECIAL PLEATED FILTER	1
		** (Ordered through Wendy's supplier)	
11	83790	Bracket - Accessory Holder	1
12	83791	Holder - Accessory.....	1
B 13	12116	BRUSH - FRYER - LONG HANDLE	1
B 14	12112	BRUSH - STRAIGHT WHITE	1
B 15	12126	BRUSH - BLACK L.....	1

Recommend Parts: A=Truck Stock/B=Dist. Stock



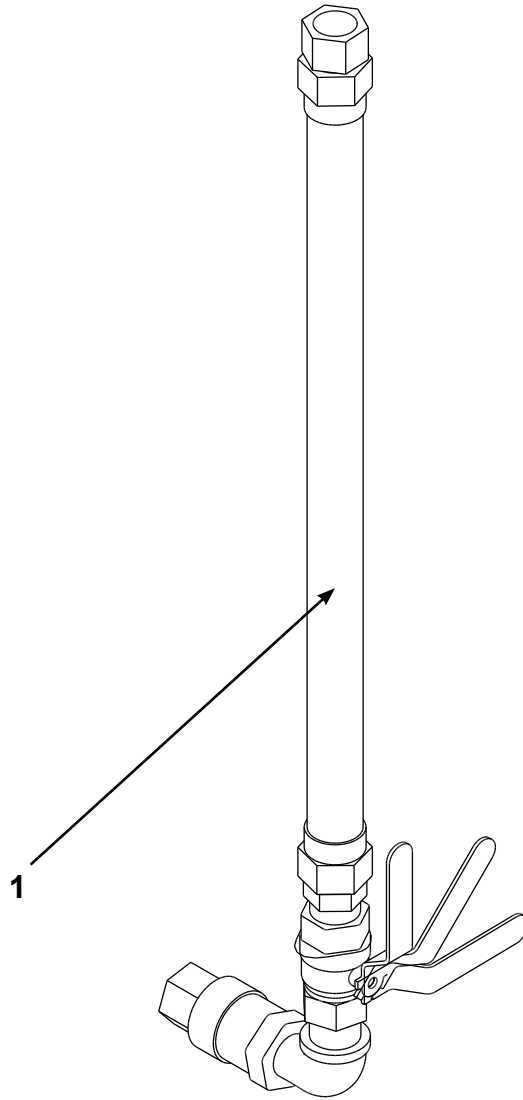
Item No.	Part No.	Description	Quantity
1	77523	TUBE-SUCTION 18 IN L DORMONT.....	1
2	FP01-206	CONNECTOR-3/8 NPT FEM 45 FLARE	1
3	77259	BRACKET-PLUG AND PLAY	1
4	77248	ADAPTER-TUBE END	1
5	FP01-204	NIPPLE-3/8 NPT X 6IN L BLACK.....	1



Filter Motor and Pump

Item No.	Part No.	Description	Quantity
A 1	67583	MOTOR, 1/2 HP - 50/60 Hz.....	1
A 2	17476	SEAL KIT.....	1
B 3	17437	PUMP ASSEMBLY.....	1
4	SC01-132	SCREW, Pump Cover.....	1
5	17451	COVER, Pump.....	1
B 6	17447	ROTOR, Pump.....	1
A 7	17446	ROLLER, Pump.....	5
A 8	17453	O-RING.....	1
9	17454	BODY, Pump.....	1
10	17456	SHIELD, Pump.....	2
11	SC01-026	SCREW, Pump Shield.....	1

Recommend Parts: A=Truck Stock/B=Dist. Stock



Item No.	Part No.	Description	Quantity
1	77668-002	FLEXIBLE GAS LINE W/SHUT-OFF VALVE - 3 -WELL-72 IN	1