

SECTION 3. PARTS INFORMATION

3-1. INTRODUCTION

This section identifies and lists the replaceable parts of the Henny Penny merchandiser.

3-2. GENUINE PARTS

Use only genuine Henny Penny parts in your cabinet. Using a part of lesser quality or substitute design may result in cabinet damage or personal injury.

3-3. HOW TO ORDER

Once the part you want to order has been found in the Parts List, write down the following information:

1. From the Parts List
(Sample)

Item Number 3
Part Number 40645
Description Relay

2. From the data plate
(Sample)

Product Number HEC104.0
Serial Number AY001JJ
Voltage 102/208V

3-4. PRICES

Your independent Henny Penny distributor has a price parts list and will be glad to inform you of the cost of your parts order.

3-5. DELIVERY

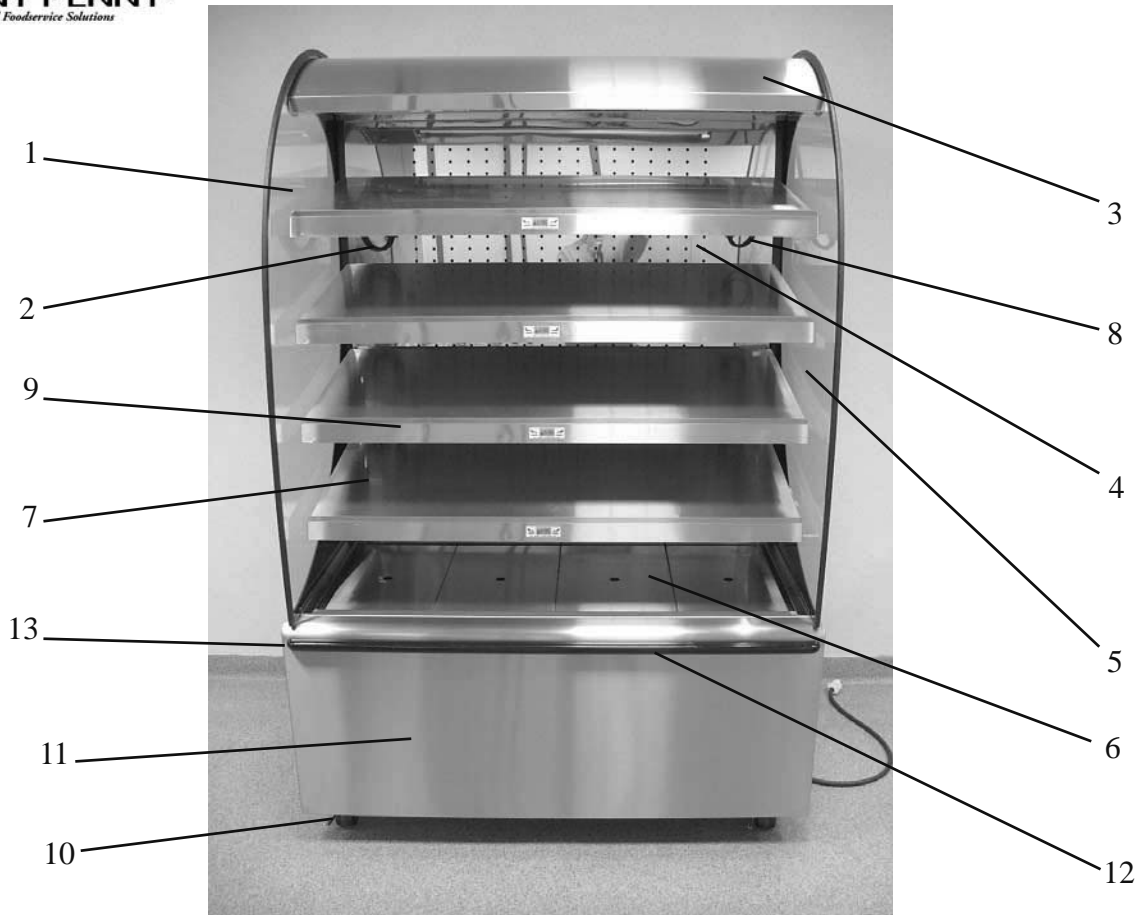
Commonly replaced items are stocked by your independent Henny Penny distributor and will be sent out when your order is received. Other parts will be ordered by the distributor from Henny Penny Corporation. Normally, these will be sent to your distributor within three working days.

3-6. WARRANTY

All replacement parts (except lamps and fuses) are covered under warranty for 90 days against manufacturing defects and workmanship. If damage occurs during shipping, notify the carrier at once so that a claim may be properly filed. Refer to warranty on the front of this section for other rights and limitations.

3-7. RECOMMENDED SPARE PARTS FOR DISTRIBUTORS

Recommended replacement parts, stocked by your distributor, are indicated with √ in the parts lists. Please use care when ordering recommended parts, because all voltages and variations are marked. Distributors should order parts based upon common voltages and equipment sold in their territory.



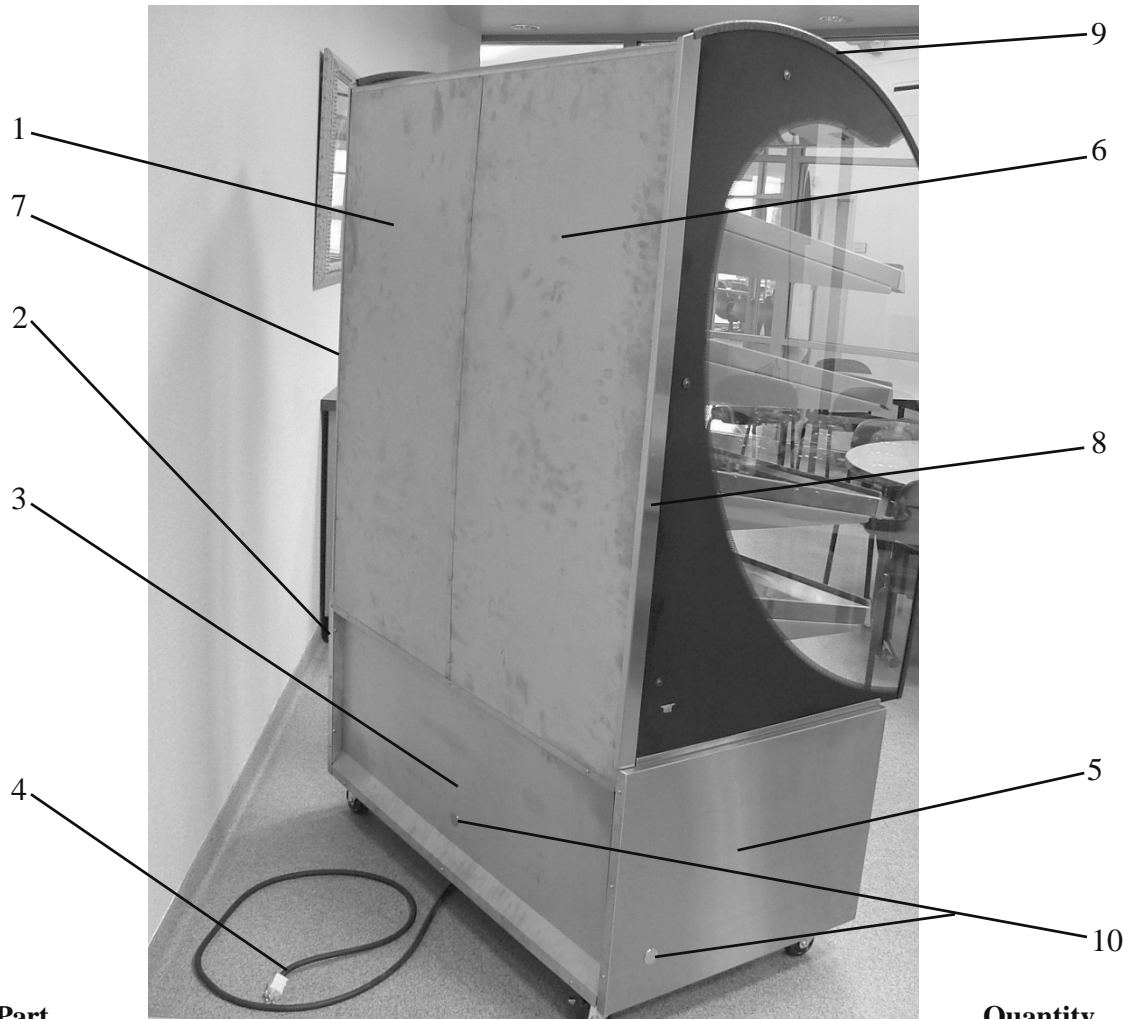
Item No.	Part No.	Description	Quantity			
			103	104	123	124
1	65645-001	Glass - Clear - LH Side - 10X	1	1	-	-
1	68158-001	Glass - Clear - LH Side - 12X	-	-	1	1
2	69230	Assy - Molded Cord Lamp Plug - 103/123	3 or 4	-	2	-
2	67893	Assy - Molded Cord Lamp Plug - 104/124	-	3 or 4	-	2
2	65995	Receptacle - Molded Harness Lamp - 103/123/104/124	3 or 4	3 or 4	2	2
3	65495	Cap- HEC-103/123 - Top	1	-	1	-
3	65497	Cap- HEC-104/124 - Top	-	1	-	1
4	66344	Panel - HEC-103 - Four Shelf Removable	1	-	-	-
4	66019	Panel - HEC-104 - Four Shelf Removable	-	1	-	-
4	66361	Panel - HEC-103 - Three Shelf Removable	1	-	-	-
4	66021	Panel - HEC-104 - Three Shelf Removable	-	1	-	-
4	69639	Panel - HEC-123 - Two Shelf Removable	-	-	1	-
4	68549	Panel - HEC-124 - Two Shelf Removable	-	-	-	1
5	65645-002	Glass - Clear - RH Side - 10X	1	1	-	-
5	68158-002	Glass - Clear - RH Side - 12X	-	-	1	1
6	65614	Panel - Bottom Insert - HEC-10X	3	4	3	4
7		Assy - Shelf - See chart on Next 2 Pages	3 or 4	3 or 4	2	2
8	66500	Assy - Cord Heater Plug	3 or 4	3 or 4	2	2
8	65992	Receptacle - Molded Harness Heat - 103/123/104/124	3 or 4	3 or 4	2	2
9	66274	Stud Assy - HEC-103 - Product Stop	3 or 4	-	2	-
9	66249	Stud Assy - HEC-104 - Product Stop	-	3 or 4	-	2
10	81699	Caster - 3" - Swivel w/Brake	2	2	2	2
11		Assy - Front Panel - See Chart on Next Page	1	1	1	1
12	66011-001	Bumper - Snap-On - HEC-103/123	1	-	1	-
12	66011-002	Bumper - Snap-On - HEC-104/124	-	1	-	1
13	54649	Snap-On End Cap (specify color)	2	2	2	2
14*	MS01-384	Strike - Latch -Male	10	12	10	12
15*	41356	Leg Assembly (Optional)	4	4	4	4
16*	81700	Caster - 3" - Swivel	2	2	2	2

*not shown

Item	Part No.	Description	Language
11	67697-001	ASSY-FRONT REMOVABLE PANEL - HEC-104/124	ENGLISH
11	67697-002	ASSY-FRONT REMOVABLE PANEL - HEC-104/124	GERMAN
11	67697-003	ASSY-FRONT REMOVABLE PANEL - HEC-104/124	FRENCH
11	67697-004	ASSY-FRONT REMOVABLE PANEL - HEC-104/124	NORWEGIAN
11	67697-005	ASSY-FRONT REMOVABLE PANEL - HEC-104/124	SPANISH
11	67697-006	ASSY-FRONT REMOVABLE PANEL - HEC-104/124	DANISH
11	67697-007	ASSY-FRONT REMOVABLE PANEL - HEC-104/124	DUTCH
11	67697-008	ASSY-FRONT REMOVABLE PANEL - HEC-104/124	SWEDISH
11	69780-003	ASSY-FRONT REMOVABLE PANEL - HEC-104(specify color)	ENGLISH
11	67697-009	ASSY-FRONT REMOVABLE PANEL - HEC-103/123	ENGLISH
11	67697-010	ASSY-FRONT REMOVABLE PANEL - HEC-103/123	GERMAN
11	67697-011	ASSY-FRONT REMOVABLE PANEL - HEC-103/123	FRENCH
11	67697-012	ASSY-FRONT REMOVABLE PANEL - HEC-103/123	NORWEGIAN
11	67697-013	ASSY-FRONT REMOVABLE PANEL - HEC-103/123	SPANISH
11	67697-014	ASSY-FRONT REMOVABLE PANEL - HEC-103/123	DANISH
11	67697-015	ASSY-FRONT REMOVABLE PANEL - HEC-103/123	DUTCH
11	67697-016	ASSY-FRONT REMOVABLE PANEL - HEC-103/123	SWEDISH
11	69795-003	ASSY-FRONT REMOVABLE PANEL - HEC-103(specify color)	ENGLISH

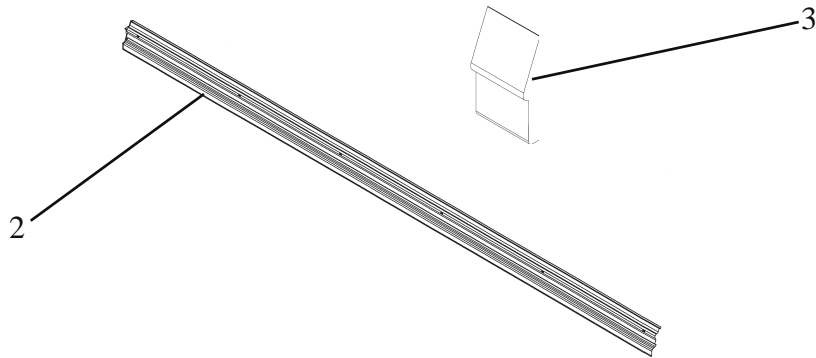
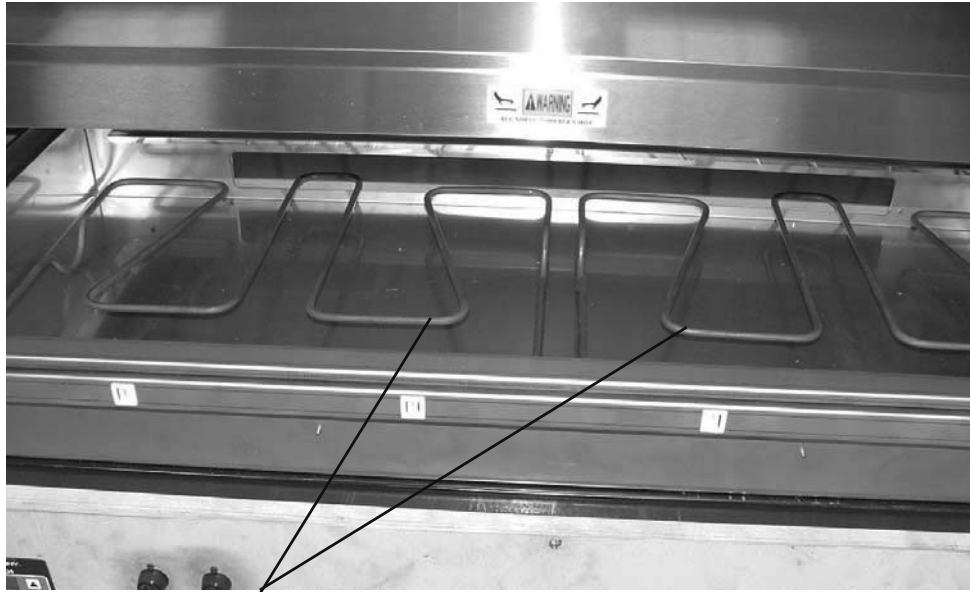
Item	Part No.	Description	Language
7	67693-001	ASSY - SHELF - BLACK W/LABEL HOLDER - 208V - HEC104/124	ENGLISH
7	67693-002	ASSY - SHELF - BLACK W/LABEL HOLDER - 208V - HEC104/124	FRENCH
7	67693-003	ASSY - SHELF - BLACK W/LABEL HOLDER - 208V - HEC104/124	DANISH
7	67693-004	ASSY - SHELF - BLACK W/LABEL HOLDER - 208V - HEC104/124	SPANISH
7	67693-005	ASSY - SHELF - BLACK W/LABEL HOLDER - 208V - HEC104/124	GERMAN
7	67693-006	ASSY - SHELF - BLACK W/LABEL HOLDER - 208V - HEC104/124	DUTCH
7	67693-007	ASSY - SHELF - BLACK W/LABEL HOLDER - 208V - HEC104/124	SWEDISH
7	67693-008	ASSY - SHELF - BLACK W/LABEL HOLDER - 208V - HEC104/124	NORWEGIAN
7	67693-009	ASSY - SHELF - BLACK W/LABEL HOLDER - 240V - HEC104/124	ENGLISH
7	67693-010	ASSY - SHELF - BLACK W/LABEL HOLDER - 240V - HEC104/124	FRENCH
7	67693-011	ASSY - SHELF - BLACK W/LABEL HOLDER - 240V - HEC104/124	DANISH
7	67693-012	ASSY - SHELF - BLACK W/LABEL HOLDER - 240V - HEC104/124	SPANISH
7	67693-013	ASSY - SHELF - BLACK W/LABEL HOLDER - 240V - HEC104/124	GERMAN
7	67693-014	ASSY - SHELF - BLACK W/LABEL HOLDER - 240V - HEC104/124	DUTCH
7	67693-015	ASSY - SHELF - BLACK W/LABEL HOLDER - 240V - HEC104/124	SWEDISH
7	67693-016	ASSY - SHELF - BLACK W/LABEL HOLDER - 240V - HEC104/124	NORWEGIAN

Item	Part No.	Description	Language
7	67693-017	ASSY - SHELF - BLACK W/LABEL HOLDER - 208V - HEC103/123	ENGLISH
7	67693-018	ASSY - SHELF - BLACK W/LABEL HOLDER - 208V - HEC103/123	FRENCH
7	67693-019	ASSY - SHELF - BLACK W/LABEL HOLDER - 208V - HEC103/123	DANISH
7	67693-020	ASSY - SHELF - BLACK W/LABEL HOLDER - 208V - HEC103/123	SPANISH
7	67693-021	ASSY - SHELF - BLACK W/LABEL HOLDER - 208V - HEC103/123	GERMAN
7	67693-022	ASSY - SHELF - BLACK W/LABEL HOLDER - 208V - HEC103/123	DUTCH
7	67693-023	ASSY - SHELF - BLACK W/LABEL HOLDER - 208V - HEC103/123	SWEDISH
7	67693-024	ASSY - SHELF - BLACK W/LABEL HOLDER - 208V - HEC103/123	NORWEGIAN
7	67693-025	ASSY - SHELF - BLACK W/LABEL HOLDER - 240V - HEC103/123	ENGLISH
7	67693-026	ASSY - SHELF - BLACK W/LABEL HOLDER - 240V - HEC103/123	FRENCH
7	67693-027	ASSY - SHELF - BLACK W/LABEL HOLDER - 240V - HEC103/123	DANISH
7	67693-028	ASSY - SHELF - BLACK W/LABEL HOLDER - 240V - HEC103/123	SPANISH
7	67693-029	ASSY - SHELF - BLACK W/LABEL HOLDER - 240V - HEC103/123	GERMAN
7	67693-030	ASSY - SHELF - BLACK W/LABEL HOLDER - 240V - HEC103/123	DUTCH
7	67693-031	ASSY - SHELF - BLACK W/LABEL HOLDER - 240V - HEC103/123	SWEDISH
7	67693-032	ASSY - SHELF - BLACK W/LABEL HOLDER - 240V - HEC103/123	NORWEGIAN
7	67732-001	ASSY-SHELF - SS W/O LABEL HOLDER - 208V - HEC104/124	ENGLISH
7	67732-002	ASSY-SHELF - SS W/O LABEL HOLDER - 208V - HEC104/124	FRENCH
7	67732-003	ASSY-SHELF - SS W/O LABEL HOLDER - 208V - HEC104/124	DANISH
7	67732-004	ASSY-SHELF - SS W/O LABEL HOLDER - 208V - HEC104/124	SPANISH
7	67732-005	ASSY-SHELF - SS W/O LABEL HOLDER - 208V - HEC104/124	GERMAN
7	67732-006	ASSY-SHELF - SS W/O LABEL HOLDER - 208V - HEC104/124	DUTCH
7	67732-007	ASSY-SHELF - SS W/O LABEL HOLDER - 208V - HEC104/124	SWEDISH
7	67732-008	ASSY-SHELF - SS W/O LABEL HOLDER - 208V - HEC104/124	NORWEGIAN
7	67732-009	ASSY-SHELF - SS W/O LABEL HOLDER - 240V - HEC104/124	ENGLISH
7	67732-010	ASSY-SHELF - SS W/O LABEL HOLDER - 240V - HEC104/124	FRENCH
7	67732-011	ASSY-SHELF - SS W/O LABEL HOLDER - 240V - HEC104/124	DANISH
7	67732-012	ASSY-SHELF - SS W/O LABEL HOLDER - 240V - HEC104/124	SPANISH
7	67732-013	ASSY-SHELF - SS W/O LABEL HOLDER - 240V - HEC104/124	GERMAN
7	67732-014	ASSY-SHELF - SS W/O LABEL HOLDER - 240V - HEC104/124	DUTCH
7	67732-015	ASSY-SHELF - SS W/O LABEL HOLDER - 240V - HEC104/124	SWEDISH
7	67732-016	ASSY-SHELF - SS W/O LABEL HOLDER - 240V - HEC104/124	NORWEGIAN
7	67732-017	ASSY-SHELF - SS W/O LABEL HOLDER - 208V - HEC103/123	ENGLISH
7	67732-018	ASSY-SHELF - SS W/O LABEL HOLDER - 208V - HEC103/123	FRENCH
7	67732-019	ASSY-SHELF - SS W/O LABEL HOLDER - 208V - HEC103/123	DANISH
7	67732-020	ASSY-SHELF - SS W/O LABEL HOLDER - 208V - HEC103/123	SPANISH
7	67732-021	ASSY-SHELF - SS W/O LABEL HOLDER - 208V - HEC103/123	GERMAN
7	67732-022	ASSY-SHELF - SS W/O LABEL HOLDER - 208V - HEC103/123	DUTCH
7	67732-023	ASSY-SHELF - SS W/O LABEL HOLDER - 208V - HEC103/123	SWEDISH
7	67732-024	ASSY-SHELF - SS W/O LABEL HOLDER - 208V - HEC103/123	NORWEGIAN
7	67732-025	ASSY-SHELF - SS W/O LABEL HOLDER - 240V - HEC103/123	ENGLISH
7	67732-026	ASSY-SHELF - SS W/O LABEL HOLDER - 240V - HEC103/123	FRENCH
7	67732-027	ASSY-SHELF - SS W/O LABEL HOLDER - 240V - HEC103/123	DANISH
7	67732-028	ASSY-SHELF - SS W/O LABEL HOLDER - 240V - HEC103/123	SPANISH
7	67732-029	ASSY-SHELF - SS W/O LABEL HOLDER - 240V - HEC103/123	GERMAN
7	67732-030	ASSY-SHELF - SS W/O LABEL HOLDER - 240V - HEC103/123	DUTCH
7	67732-031	ASSY-SHELF - SS W/O LABEL HOLDER - 240V - HEC103/123	SWEDISH
7	67732-032	ASSY-SHELF - SS W/O LABEL HOLDER - 240V - HEC103/123	NORWEGIAN



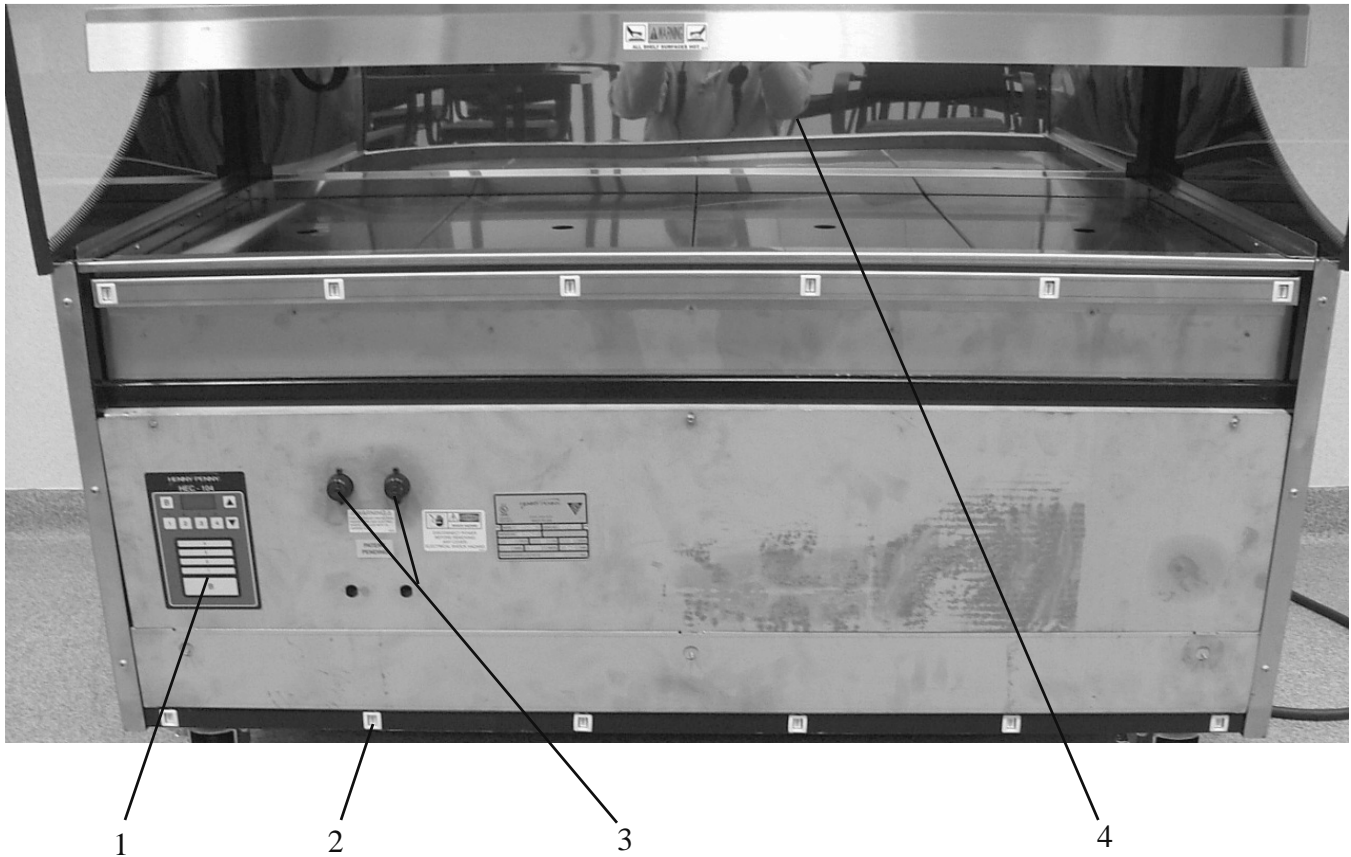
Item No.	Part No.	Description	Quantity			
			103	104	123	124
1	66014	Panel - LH Rear - HEC-10X	1	1	-	-
1	68556	Panel - LH Rear - HEC-12X	-	-	1	1
2	65530	Panel - RH Side	1	1	1	1
3	66432	Panel - Lower Rear - HEC-103/123	1	-	1	-
3	65659	Panel - Lower Rear - HEC-104/124	-	1	-	1
4	66086	Assy - 1PH-20A-12Ga - Power Cord	1	1	1	1
4	66128	Assy - 1PH-30A-12Ga - Power Cord	-	1	-	-
4	66140	Assy - 3PH-15A-12Ga - Power Cord	1	1	-	-
5	66030	Panel - LH Side	1	1	1	1
6	66300	Panel -HEC-103 - RH Rear	1	-	-	-
6	66015	Panel -HEC-104 - RH Rear	-	1	-	-
6	69641	Panel -HEC-123 - RH Rear	-	-	1	-
6	68557	Panel -HEC-124 - RH Rear	-	-	-	1
7	66022	Stud Assy. - LH-HEC-10X Trim	1	1	-	-
7	68554	Stud Assy. - LH-HEC-12X Trim	-	-	1	1
8	66025	Stud Assy. - RH-HEC-10X Trim	1	1	-	-
8	68555	Stud Assy. - RH-HEC-12X Trim	-	-	1	1
9	MS01-509	Trimlock 1/4 Black Edge Guard	12ft	12ft	9.25ft	9.25ft
10	PL01-033	1-1/8 Plug Button - NI PL TD	3	3	3	3
11*	69208	Insulation - Rear Panel - 103/123	3	4	-	-
11*	69744	Insulation - Rear Panel - 104/124	-	-	3	4

*not shown



Item No.	Part No.	Description	Quantity			
			103	104	123	124
√ 1	66659-001	Heater - HEC-103/123 - 1100W-208V - Well	1	-	1	-
√ 1	66659-002	Heater - HEC-103/123 - 1100W-240V - Well	1	-	1	-
√ 1	65566-001	Heater - HEC-104/124 - 825W-208V - Well	-	2	-	2
√ 1	65566-002	Heater - HEC-104/124 - 825W-240V - Well	-	2	-	2
	2 65951-001	Holder - Price Label - HEC-104 (Optional)	-	3 or 4	-	2
	2 65951-002	Holder - Price Label - HEC-103 (Optional)	3 or 4	-	2	-
	3 66121	Gasket - Price Label (Optional)	6 or 8	6 or 8	4	4

√ recommended parts

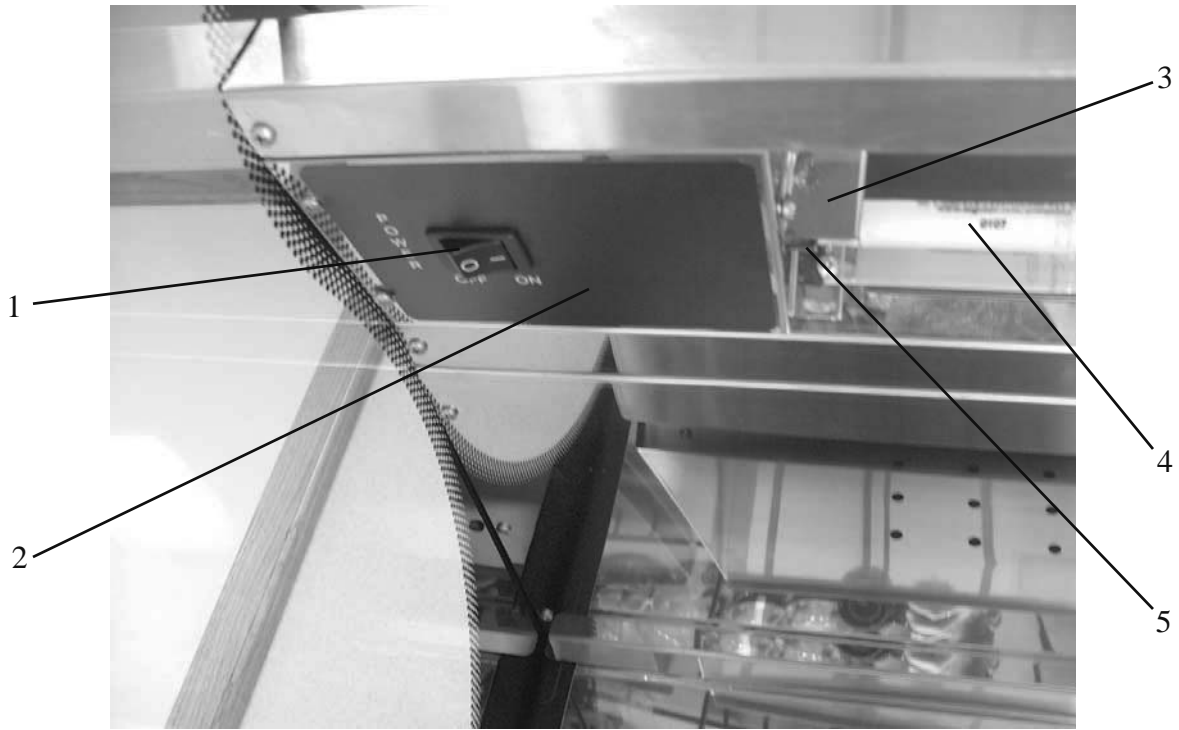


Item No.	Part No.	Description	Quantity				
			103	104	123	124	
	1	65785	Decal - HEC-10X - 4 Shelf	1	1	-	-
	1	66038	Decal - HEC-10X - 3 Shelf	1	1	-	-
	1	68579	Decal - HEC-12X - 2 Shelf	-	-	1	1
	2	MS01-383	Latch (Plastic) - Female - Front Panel	10	12	10	12
√	3	EF02-006	Fuse Holder - 15 Amp (See SN Chart)	2	2	2	2
√	3	EF02-007	Fuse - 15 Amp (See SN Chart)	2	2	2	2
√	3	EF02-125	Breaker-Push Button Reset (See SN Chart)	2	2	2	2
√	3	EF02-104	Fuse Holder - 20 Amp - CE	2	2	2	2
√	3	EF02-105	Fuse - 15 Amp - CE	2	2	2	2
	4	66411	Panel - HEC-103 Lower - Removable	1	-	1	-
	4	66020	Panel - HEC-104 Lower - Removable	-	1	-	1

√ recommended parts

Fuse, Fuse Holder and Breaker SN Chart

	PART #	
MODELS	EF02-006 & EF02-007	EF02-125
HEC103	HC0701010 & below	HC0701011 & above
HEC123	HC0701016 & below	HC0701017 & above



Item No.	Part No.	Description	Quantity			
			103	104	123	124
√ 1	72277	Power switch	2	2	2	2
2	66063	Decal - Power Switch	1	1	1	1
3	66106	Retainer - Ceiling Lamp	8 or 10	8 or 10	6	6
√ 4	BL01-026	Light - Fourescent - F14T5	4 or 5	-	3	-
√ 4	BL01-025	Light - Fourescent - F21T5	-	4 or 5	-	3
√ 5	70157	Assy - Lampholder - T5 Lamp - Bi Pin	8 or 10	8 or 10	6	6

√ recommended parts