

SECTION 8. PARTS INFORMATION

8-1. INTRODUCTION

This section lists the replaceable parts of the Henny Penny Model LVE fryer.

8-2. GENUINE PARTS

Use only genuine Henny Penny parts in your fryer. Using part of lesser quality or substitute design may result in damage to the unit or personal injury.

8-3. WHEN ORDERING PARTS

Once the parts that you want to order have been found in the parts list, write down the following information:

Item Number	<u>2</u>	
Part Number	<u>60241</u>	Example:
Description	<u>High Limit</u>	

From the data plate, list the following information:

Product Number	<u>01100</u>	
Serial Number	<u>0001</u>	Example:
Voltage	<u>208</u>	

8-4. PRICES

Your distributor has a price parts list and will be glad to inform you of the cost of your parts order.

8-5. DELIVERY

Commonly replaced items are stocked by your distributor and will be sent out when your order is received. Other parts will be ordered, by your distributor, from Henny Penny Corporation. Normally, these will be sent to your distributor within three working days.

8-6. WARRANTY

All replacement parts (except lamps and fuses) are warranted for 90 days against manufacturing defects and workmanship. If damage occurs during shipping, notify the carrier at once so that a claim may be properly filed. Refer to warranty in the front of this manual for other rights and limitations.

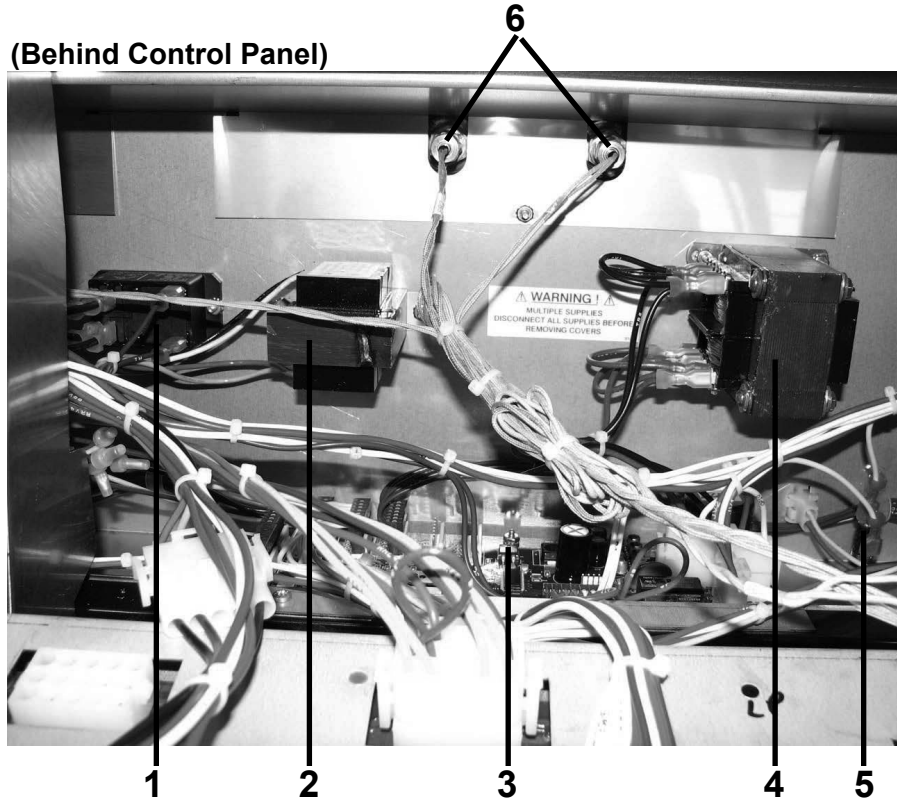
8-7. RECOMMENDED SPARE PARTS FOR DISTRIBUTORS

Recommended replacement parts are indicated with A or B in the parts lists:

A = parts to be stocked on service vans or trucks

B = parts to be stocked at the distributor/KES location.

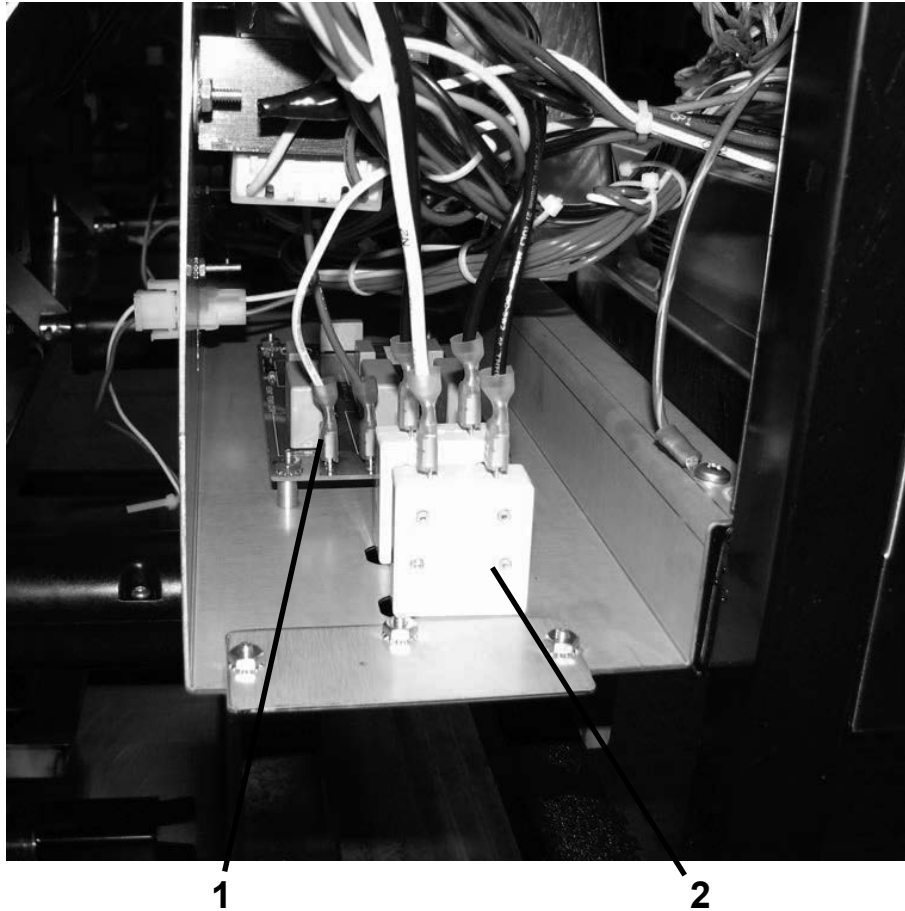
Inventory on all other parts not identified, should be based upon usage in the territory. Please use care when ordering recommended parts, because all voltages and variations are marked. Distributors should order parts based upon common voltages and equipment sold in their territory.



Item No.	Part No.	Description	Quantity
B 1	ME90-008	RELAY - PUMP MOTOR- 12 VDC - 30 AMP.....	1
A 2	140082	KIT-TRANSFORMER-120V/75VA-SN: BH1002029 & Below	1/vat
A 2	84391	TRANSFORMER-120V/75VA-SN: BH1002030 & Above	1/vat
A 2	140061	KIT-TRANSFORMER-230V/75VA-SN: BH1002033 & Below	1/vat
A 2	84135	TRANSFORMER (CE)-230V/75VA-SN: BH1002034 & Above..	1/vat
B 3	76463RB	PC BOARD - AIF	1
B 4	TS22-012	TRANSFORMER - AIF	1
A 5	EF02-104	FUSE HOLDER - 20A-250V	1
A	FA52-010	FUSE - 1 AMP (208/240V FRYERS)	1
A	FA52-015	FUSE - 1.5 AMP (380/400/415V FRYERS)	1
A 6	14974	LEVEL SENSOR - PROBES - 2.5 in.....	2/vat

Recommend Parts: A=Truck Stock/B=Dist. Stock

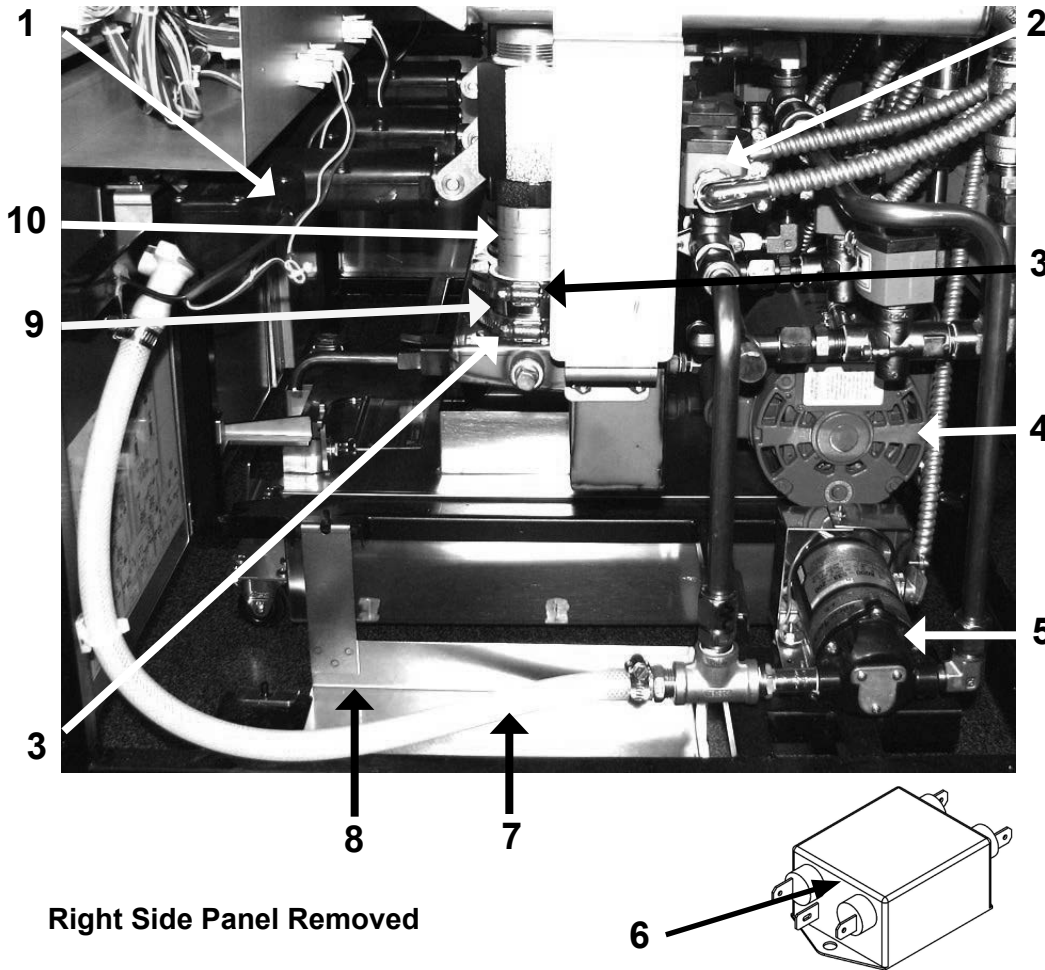
(Left Side Panel Removed)



Item No.	Part No.	Description	Quantity
B 1	51065	EMC FILTER PCB - CE	1
A 2	EF02-125	BREAKER-PUSH BUTTON RESET - 15 AMP	2
3	79596-XXXX	GATEWAY - PCB (not shown - see chart below).....	1

Part No.	Voltage	Coupling	Transceiver Type	Model
79596-1102	115	LE	NON-CENELEC	LVE-102
79596-1103	115	LE	NON-CENELEC	LVE-103
79596-1104	115	LE	NON-CENELEC	LVE-104
79596-1202	115	LN	NON-CENELEC	LVE-102
79596-1203	115	LN	NON-CENELEC	LVE-103
79596-1204	115	LN	NON-CENELEC	LVE-104
79596-2202	230	LN	NON-CENELEC	LVE-102
79596-2203	230	LN	NON-CENELEC	LVE-103
79596-2204	230	LN	NON-CENELEC	LVE-104
79596-2212	230	LN	CENELEC	LVE-102
79596-2213	230	LN	CENELEC	LVE-103
79596-2214	230	LN	CENELEC	LVE-104

Recommend Parts: A=Truck Stock/B=Dist. Stock



Right Side Panel Removed

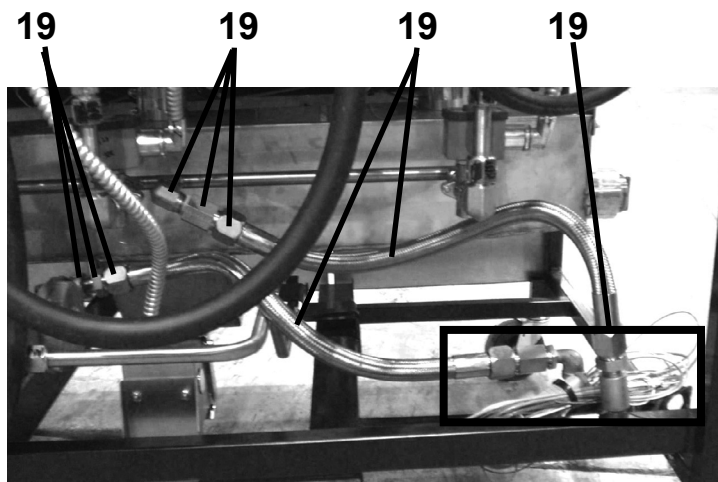
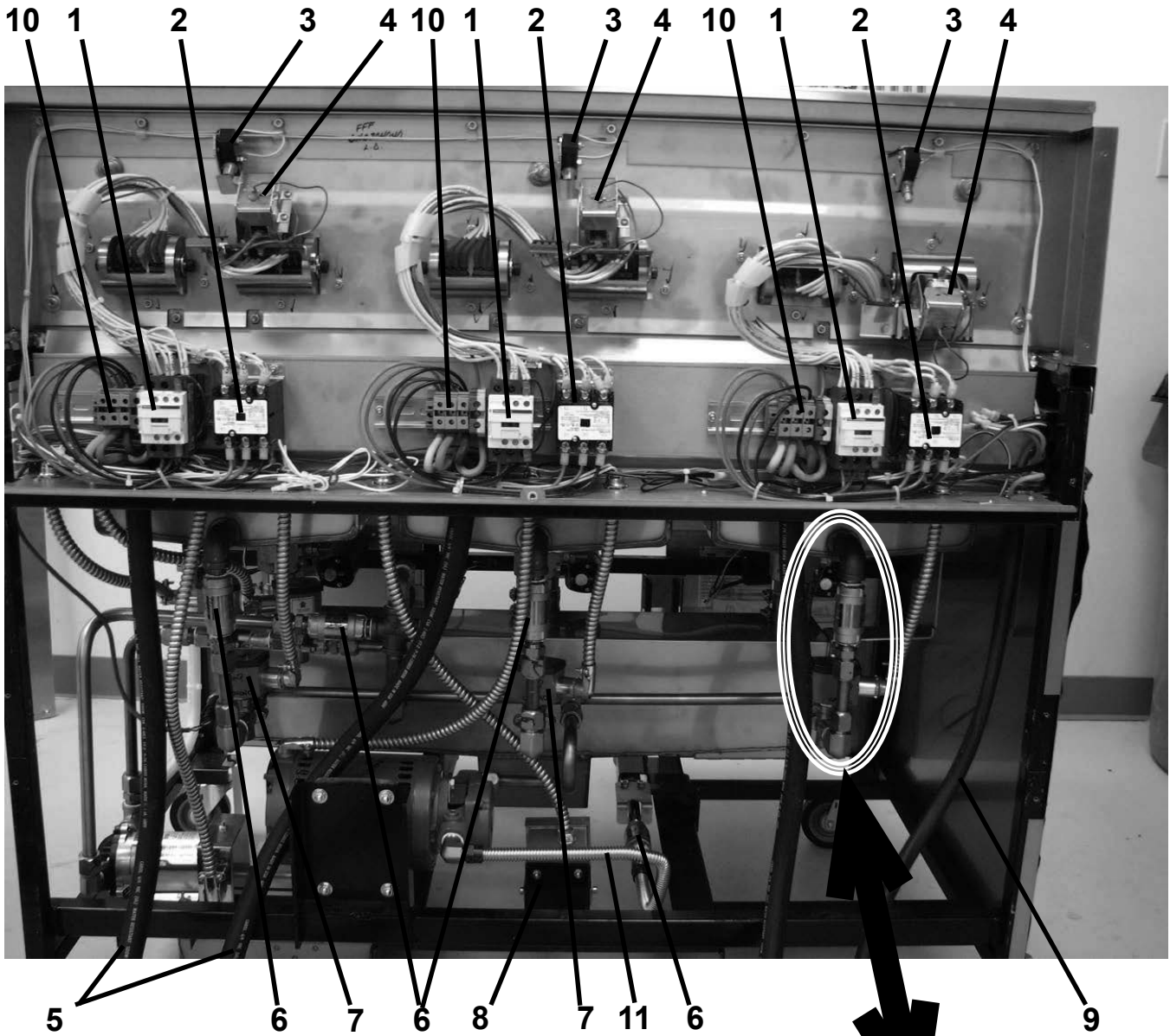
Item No.	Part No.	Description	Quantity
B 1	76783	ASSY - DRAIN VALVE ACTUATOR.....	1/vat
A 2	73647	SOLENOID - ASCO - 120V (JIB Solenoids).....	2
A 2	74582	SOLENOID - ASCO - 230V (JIB Solenoids).....	2
3	MS01-307	CLAMP - HOSE	2
4	67589	PUMP & MOTOR ASSY. (See page 8-22 for details).....	1
A	67583	MOTOR - 1/2 HORSE	1
B	17437	PUMP - FILTER.....	1
A	17476	SEAL KIT.....	1
B 5	73473	PUMP - OIL TOP OFF - 120V	1
B 5	14969	KIT-PUMP-TOP OFF-230V-CE (Units built 7/24/08 and before).....	1
B 5	74583	PUMP - OIL TOP OFF - 230V (Units built 7/25/08 and later).....	1
B 6	80728	EMI FILTER - CE (Units built 7/25/08 and later).....	1
B 7	77288	ASSY - HOSE.....	1
8	85966	WELD ASSY - JIB SHELF	1
9	76598	GUARD-SILICONE HOSE	1/vat
10	74553	EXTENSION-DRAIN (See chart on next page)	AR†
10	77305	EXTENSION-DRAIN (See chart on next page)	AR†
10	80191	EXTENSION-DRAIN-LVE-104 ONLY (See chart on next page).....	AR†
11*	72554	HOSE-MANDREL WRAPPED SILICONE (Under Guard, item 9)	1/vat

Recommend Parts: A=Truck Stock/B=Dist. Stock

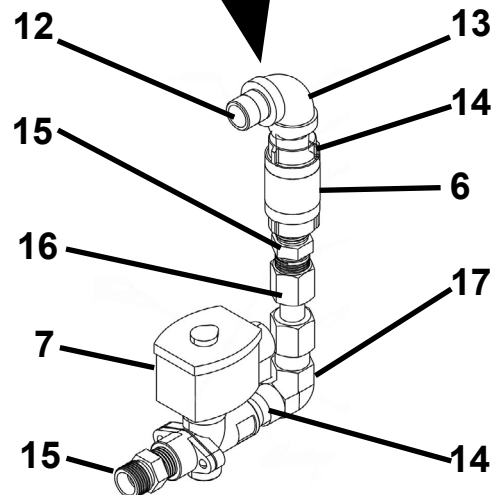
* not shown † as required

DRAIN EXTENSION QUANTITY SELECTION CHART

<u>MODEL</u>	<u>P/N 74553 QUANTITY</u>	<u>P/N 77305 QUANTITY</u>	<u>P/N 80191 QUANTITY</u>
LVE-102 DS	2	2	--
LVE-102 FF	2	--	--
LVE-102 FR	1	2	--
LVE-102 FS	--	3	--
LVE-102 LS	1	3	--
LVE-102 SD	2	2	--
LVE-102 SF	--	3	--
LVE-102 SR	1	3	--
LVE-102 SS	--	4	--
LVE-103 DSF	2	3	--
LVE-103 DSS	2	4	--
LVE-103 FFF	3	--	--
LVE-103 FFS	--	4	--
LVE-103 FSD	2	3	--
LVE-103 FSS	--	5	--
LVE-103 LSS	1	5	--
LVE-103 SFF	--	4	--
LVE-103 SSD	2	4	--
LVE-103 SSF	--	5	--
LVE-103 SSR	1	5	--
LVE-103 SSS	--	6	--
LVE-104 DSSF	2	1	4
LVE-104 DSSS	2	1	5
LVE-104 FFFF	4	--	--
LVE-104 FFFS	--	4	1
LVE-104 FFSS	--	3	3
LVE-104 FSSD	2	1	4
LVE-104 FSSS	--	2	5
LVE-104 LSSS	1	1	6
LVE-104 SFFF	--	4	1
LVE-104 SSFF	--	3	3
LVE-104 SSSD	2	1	5
LVE-104 SSSF	--	2	5
LVE-104 SSSR	1	1	6
LVE-104 SSSS	--	2	6



Optional RTI Plumbing

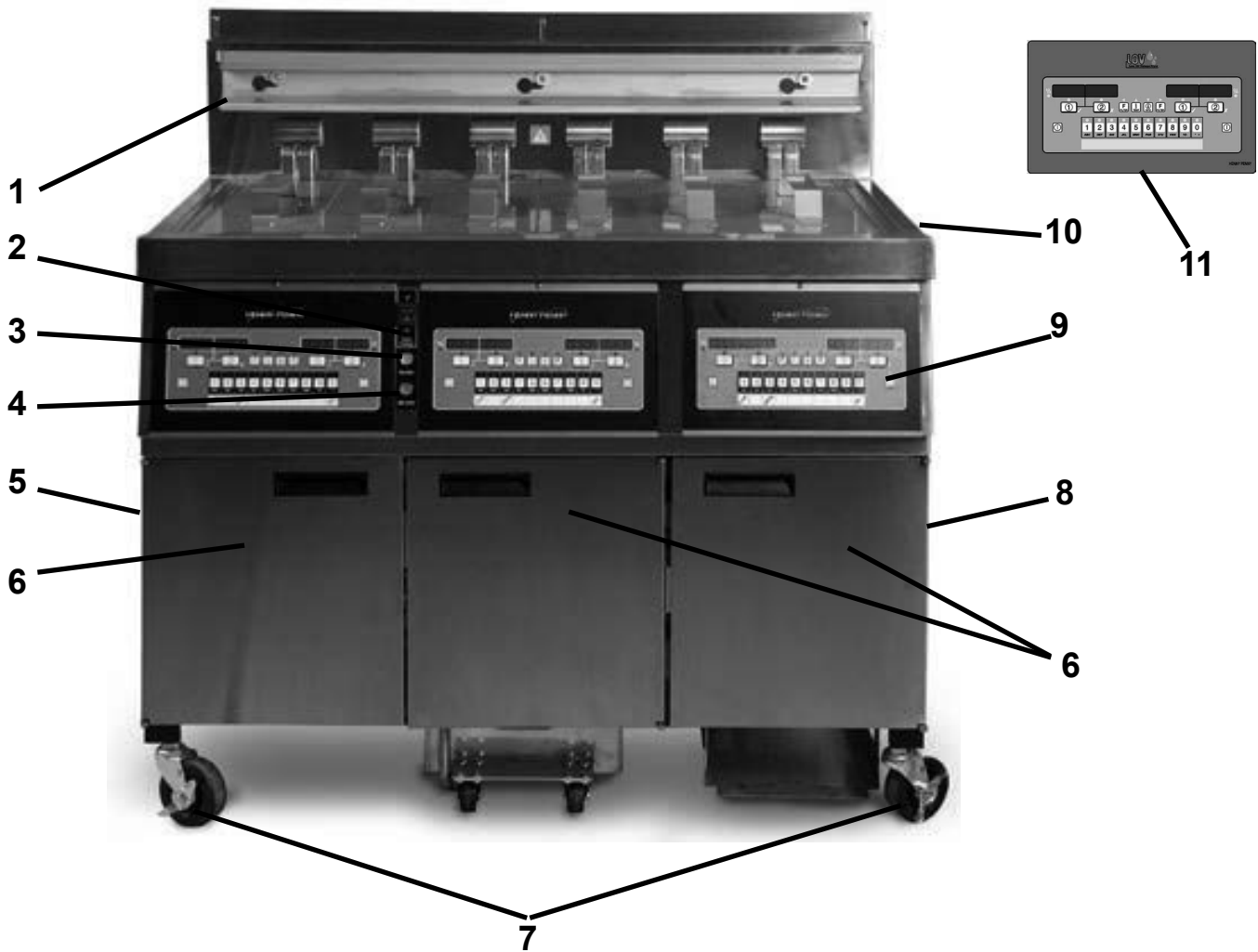


Item No.	Part No.	Description	Quantity
A 1	78753	CONTACTOR - 24V COIL (Heat Contactor).....	1/vat
A 2	29509	CONTACTOR - 24V COIL (Primary Contactor).....	1/vat
A 3	18227	SWITCH - ELEMENT LIFT.....	1/vat
A 4	140253	KIT - HIGH LIMIT - 425 F.....	1/vat
5	75381	ASSY - POWER CORD - 208-240V	**
5	79364	ASSY - CE POWER CORD	**
5	84906	ASSY - CE POWER CORD (8 FT) - ITALY	**
5	81064	ASSY - CORD & PLUG - LVE10X - AUSTRALIA.....	**
A 6	74469	VALVE-CHECK-1/2" (Vat Fill) (Apply item 18 to threads)	1/vat
A 7	73647	SOLENOID - ASCO - 120V (Vat Fill Solenoids).....	1/vat
A 7	74582	SOLENOID - ASCO - 230V (Vat Fill Solenoids).....	1/vat
	140229	---KIT-SOLENOID REPAIR.....	A/R
A 8	18227	SWITCH - DRAIN PAN - SN: BH0807094 & below	1
A 8	80148	ASSY-DRAIN SWITCH W/BOOT SN: BH0807095 & above.....	1
8	80153	ASSY-BOX-DRAIN SWITCH W/BOOT SN: BH0807094 & below (converts to switch w/boot)	1
9	73517	ASSY - POWER CORD 120V - CONTROL.....	1
9	79363	ASSY - CE CONTROL POWER CORD	1
9	80637	ASSY - FRANCE CONTROL POWER CORD	1
9	79363	ASSY - CE CONTROL POWER CORD (8 FT) - ITALY	1
B 10	78702	ASSY - TERMINAL BLOCK - DOM	1/vat
B 10	78705	ASSY-TERMINAL BLOCK-INT'L (LEFT VAT ONLY).....	1
B 10	78706	ASSY-TERMINAL BLOCK-INT'L (ALL BUT LEFT VAT)	1/vat
11	77523-002	TUBE-SUCTION-18"	1
12	35856	NIPPLE - 1-1/8" - SHORT - HOSPITAL.....	1/vat
13	FP01-090	ELBOW - 1/2" NPT X 90°	1/vat
14	FP01-023	NIPPLE - 1/2" NPT CLOSE	2/vat
15	16807	FITTING - CONNECTOR - MALE	2/vat
16	75426	ASSY - TEE TO JIB PUMP INLET.....	1/vat
17	FP01-118	ELBOW - 5/8" TUBE - 1/2" NPT.....	1/vat
A 18*	MS01-572	PRIMER-LOCTITE-.8 OZ. CAN (for check valve threads).....	As Required
19	-----	BRAIDED LINES, FITTINGS, & VALVE-OPTIONAL RTI SYSTEM--CONTACT RTI FOR PARTS OR SERVICE.....	--

Recommend Parts: A=Truck Stock/B=Dist. Stock

*not shown

**1/Full Vat or 1 per 2 Split Vats



Item No.	Part No.	Description	Quantity
1	77842	HANGER-BASKET - LVE-102.....	1
1	77709	HANGER-BASKET - LVE-103.....	1
1	77934	HANGER-BASKET - LVE-104.....	1
A 2	52224	SWITCH - POWER.....	1
B 3	75860	LIGHT - INDICATOR - BLUE.....	1
B 4	75859	LIGHT - INDICATOR - YELLOW	1
5	74460	PANEL - LH SIDE	1
6	-----	DOOR..... See Chart on Next Page	
7	77575	CASTER - 4" - W/BRAKE	2
8	74461	PANEL - RH SIDE	1
B 9	SEE 8-13	ASSY - CONTROL - LOV.....	†
10	03623	WELD ASSY - COVER - SPLIT VAT	1/vat
10	03624	WELD ASSY - COVER - FULL VAT.....	1/vat
11	14985	KIT - LVE CONTROL DECAL RETROFIT (Black to Gray)	
12*	77679	CASTER - 4".....	2

Recommend Parts: A=Truck Stock/B=Dist. Stock

† LVE102=2; LVE103=3; LVE104=4

√ recommended parts / * not shown

DOOR PART NUMBERS FOR UNITS BUILT BEFORE MAY 3, 2010

89895 LH Door Assy with Holder	89898 RH Door Assy with Label
---	--

Model LVE-102

89895 LH Door Assy with Holder	87041 RH Door Assy	89898 RH Door Assy with Label
---	------------------------------	--

Model LVE-103

89896 LH Door Assy with Holder	74301 LH Door Assy	87041 RH Door Assy	89898 RH Door Assy with Label
---	------------------------------	------------------------------	--

Model LVE-104

DOOR PART NUMBERS FOR UNITS BUILT ON MAY 3, 2010 AND AFTER

79314 LH Door Assy with Label	74302 RH Door Assy with Holder
--	---

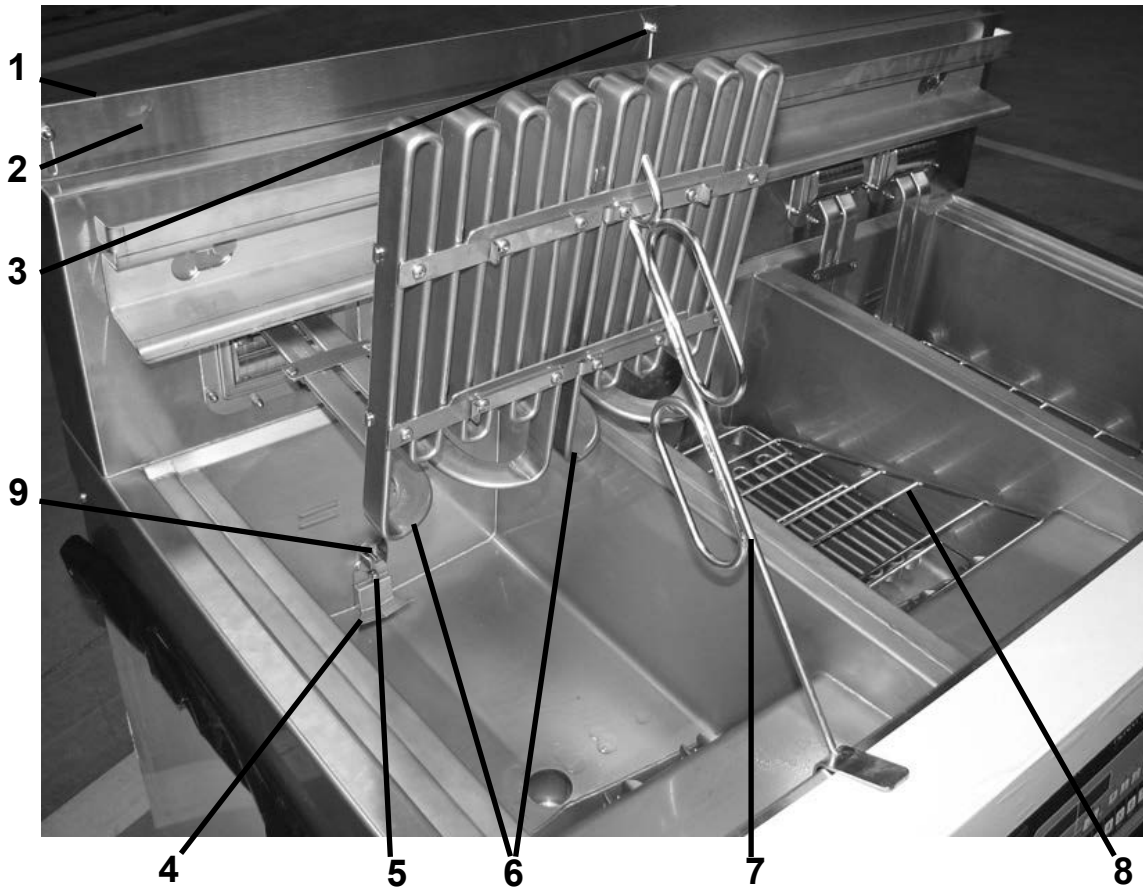
Model LVE-102

79314 LH Door Assy with Label	87041 RH Door Assy	74302 RH Door Assy with Holder
--	------------------------------	---

Model LVE-103

89897 RH Door Assy with Label	74301 LH Door Assy	87041 RH Door Assy	74302 RH Door Assy with Holder
--	------------------------------	------------------------------	---

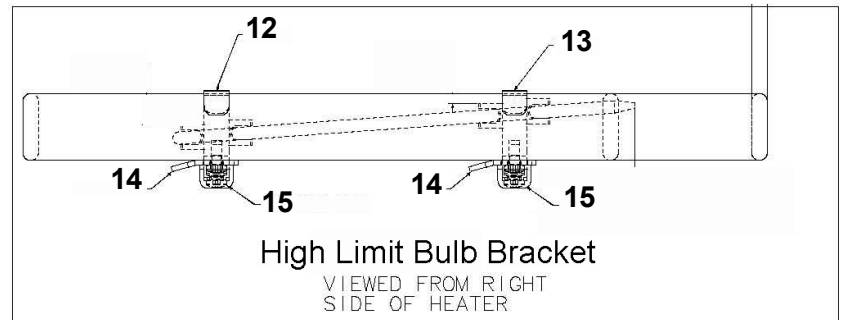
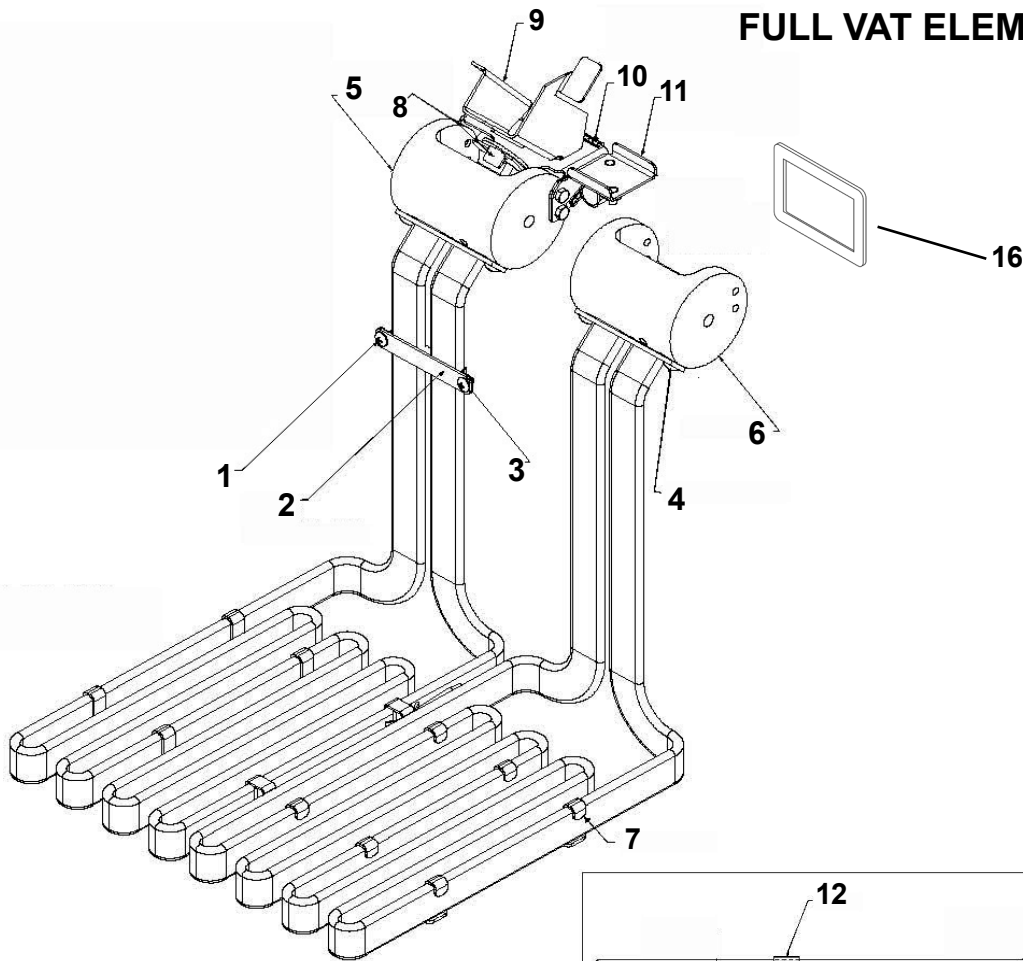
Model LVE-104



Item No.	Part No.	Description	Quantity
1	83728	ASSY - SEAM COVER - LVE-102	1
1	83729	ASSY - SEAM COVER - LVE-103	1
1	83730	ASSY - SEAM COVER - LVE-104	1
1	76563	WELD ASSY - SEAM COVER - LVE-102.....	1
1	76500	WELD ASSY - SEAM COVER - LVE-103.....	1
1	77613	WELD ASSY - SEAM COVER - LVE-104.....	1
2	76564	EXTENSION-SHROUD - LVE-102.....	1
2	76501	EXTENSION-SHROUD - LVE-103.....	1
2	77614	EXTENSION-SHROUD - LVE-104.....	1
3	NS03-044	NUT - ACORN - #10-24 - SS	3
4	77838	WELD ASSY- LOV OIL DIVERTER.....	1/vat
4	77443	WELD ASSY- FISH OIL DIVERTER	1/vat
5	NS03-044	NUT - ACORN - #10-24 - SS.....	1/vat
B 6	78484-001	ELEMENT-HEATING - 7 KW-208V.....	2/full; 1/split
B 6	78484-002	ELEMENT-HEATING - 7 KW-230V.....	2/full; 1/split
B 6	78484-003	ELEMENT-HEATING - 7 KW-480V.....	2/full; 1/split
B 6	78484-004	ELEMENT-HEATING - 7 KW-200V.....	2/full; 1/split
B 6	78484-005	ELEMENT-HEATING - 7 KW-220V.....	2/full; 1/split
B 6	78484-006	ELEMENT-HEATING - 7 KW-240V.....	2/full; 1/split
B 7	74725	HANDLE - ELEMENT LIFT.....	1
B 8	74263	RACK - SPLIT VAT	1/vat
B 8	74916	RACK - FULL VAT	1/vat
A 9	14984	PROBE - TEMPERATURE.....	1/vat

Recommend Parts: A=Truck Stock/B=Dist. Stock

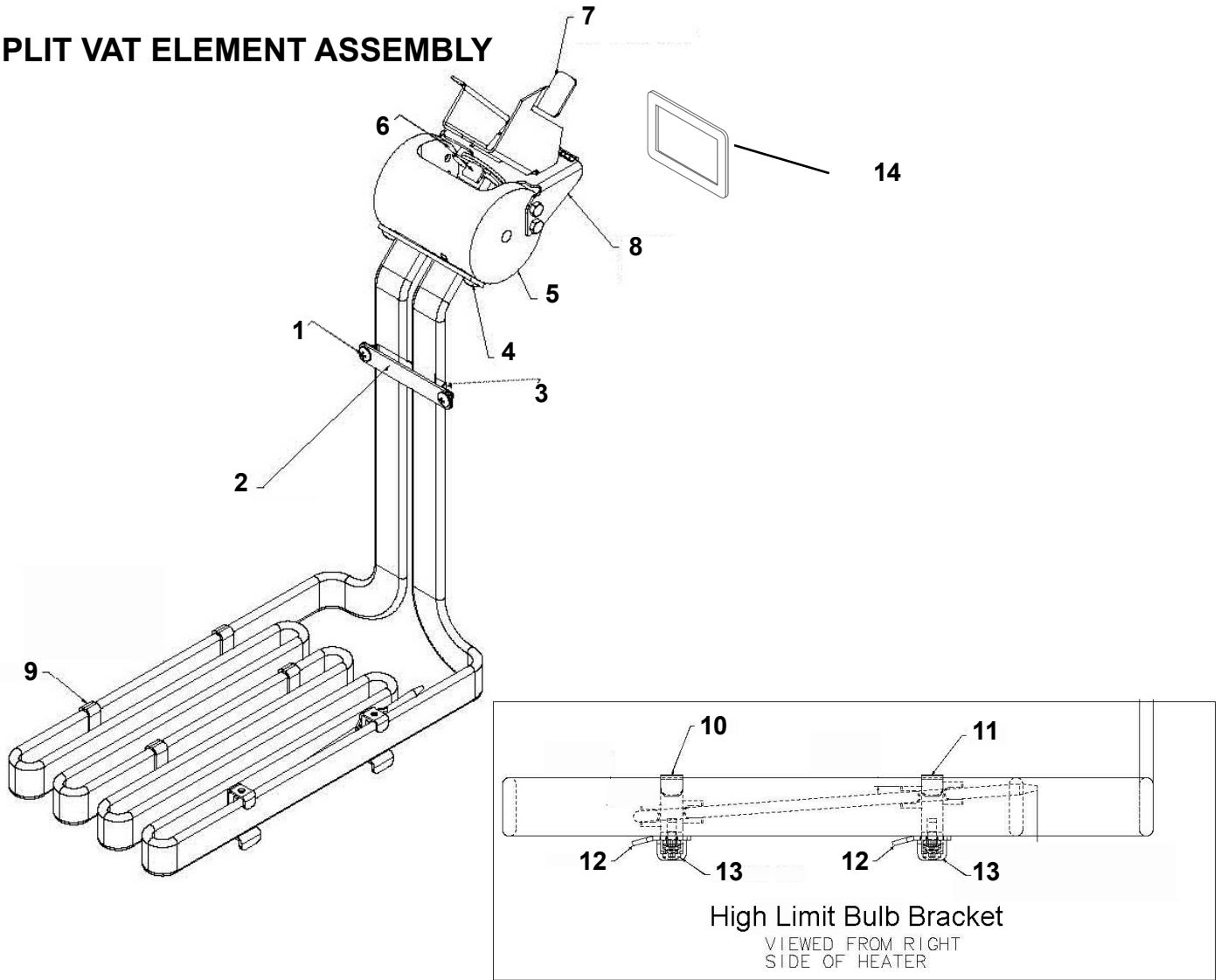
FULL VAT ELEMENT ASSEMBLY



Item No.	Part No.	Description	Quantity
1	SC01-076	SCREW #8-32 X 1/4 PH THD S	2/vat
2	75819	PLATE - FRONT CAPILLARY	1/vat
3	75818	PLATE - REAR CAPILLARY.....	1/vat
4	SC01-074	SCREW #10-32 X 1/2 PH THD S	4/vat
5	74209	HOUSING - ELEMENT PIVOT	1/vat
6	82459	HOUSING - ELEMENT PIVOT - RH FULL	1/vat
7	78499	STRAP - SPREADER.....	10/vat
8	73713	WELD ASSY - HI LIMIT RESET PIN	1/vat
9	77147	WELD ASSY - PIVOT HI LIMIT BRACKET	1/vat
10	78780	BRACKET - HI LIMIT MOUNTING.....	1/vat
11	78896	STUD ASSY - GRND & WIRE MOUNTING.....	1/vat
12	78614	GUARD - FULL FRONT HI LIMIT	1/vat
13	78615	GUARD - FULL REAR HI LIMIT	1/vat
14	78494	WELD ASSY - SPREADER - FULL	2/vat
15	SC04-003	SCREW #8-32 X 3/8 PH PHD S	12/vat
B 16	82261	GASKET - HUB	2/vat
A 17*	OR01-004	O-RING (Fits on element against items #5 & 6)	2/element

Recommend Parts: A=Truck Stock/B=Dist. Stock * not shown

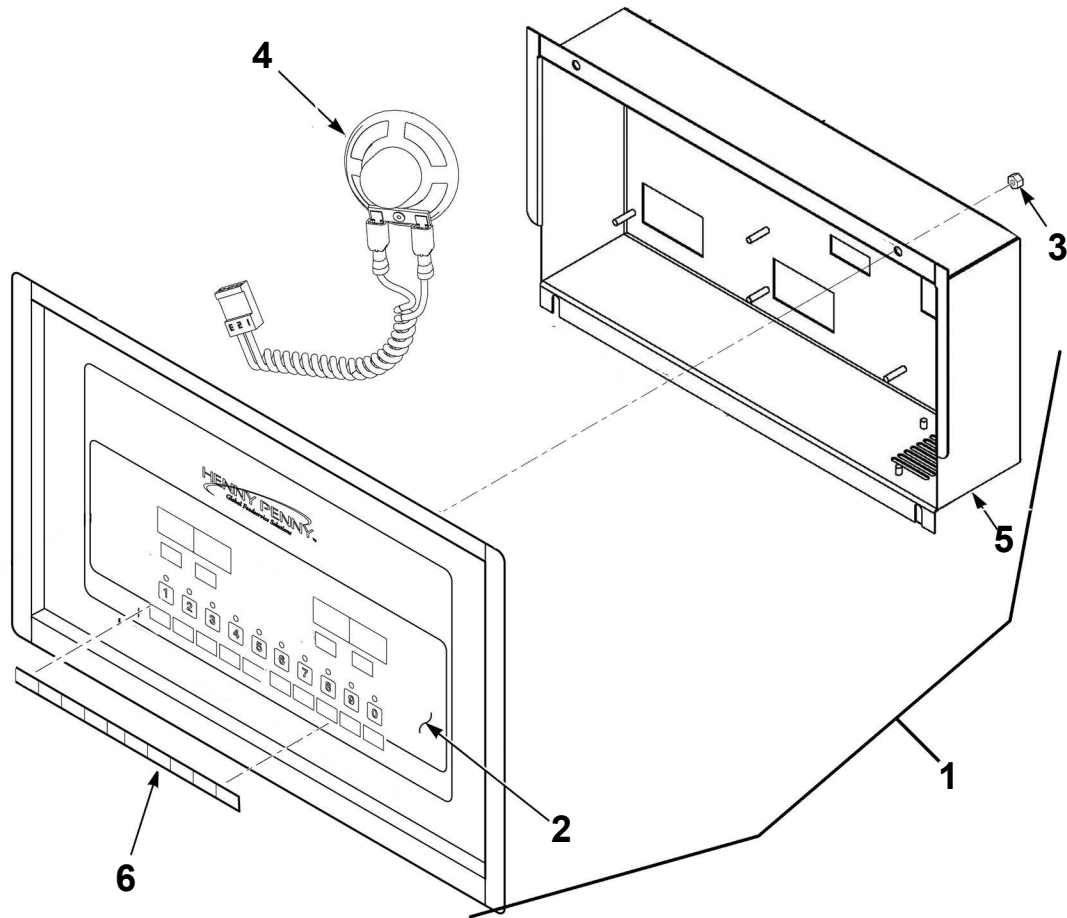
SPLIT VAT ELEMENT ASSEMBLY



Item No.	Part No.	Description	Quantity
1	SC01-076	SCREW #8-32 X 1/4 PH THD S	2/vat
2	75819	PLATE - FRONT CAPILLARY	1/vat
3	75818	PLATE - REAR CAPILLARY.....	1/vat
4	SC01-074	SCREW #10-32 X 1/2 PH THD S	2/vat
5	74209	HOUSING - ELEMENT PIVOT	1/vat
6	73713	WELD ASSY - HI LIMIT RESET PIN	1/vat
7	77147	WELD ASSY - PIVOT HI LIMIT BRACKET	1/vat
8	78780	BRACKET - HI LIMIT MOUNTING.....	1/vat
9	78499	STRAP - SPREADER.....	4/vat
10	78601	GUARD - SPLIT FRONT HI LIMIT	1/vat
11	78602	GUARD - SPLIT REAR HI LIMIT.....	1/vat
12	78617	WELD ASSY - SPREADER - SPLIT.....	2/vat
12	79324	WELD ASSY - SPREADER - SPLIT - FISH VAT	2/vat
13	SC04-003	SCREW #8-32 X 3/8 PH PHD S	6/vat
B 14	82261	GASKET - HUB	1/vat
A 15*	OR01-004	O-RING (Fits on element against item #5).....	2/element

Recommend Parts: A=Truck Stock/B=Dist. Stock
*not shown

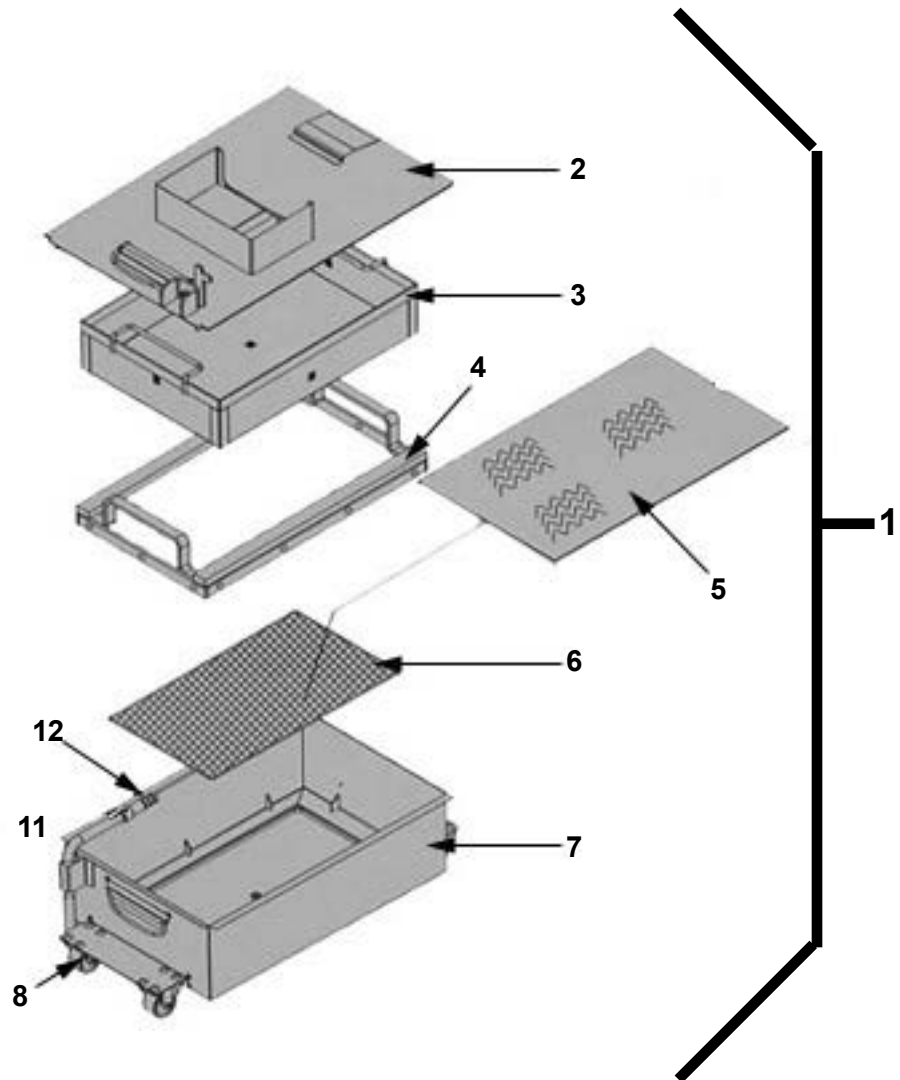
Control Panel Assembly



Item No.	Part No.	Description	Quantity
B 1	96972	ASSY - CONTROL - LOV.....	*
2	75660	DECAL - LOV MCD.....	1/control
3	NS02-005	NUT - HEX KEPS #6-32 C.....	23/control
B 4	26974	ASSY - SPEAKER.....	1/control
5	76115	STUD ASSY - CONTROL PANEL COVER.....	1/control
6	77249	MENU CARD - BLANK - LOV.....	1/control
6	77250	MENU CARD - FVA - LOV.....	1/control
6	77251	MENU CARD - SPA - LOV.....	1/control
6	81555	MENU CARD - PROTEIN - LOV - CANADA.....	1/control
A 7*	MS01-571	TOOL - TERMINAL EXTRACTOR (not shown).....	1

Recommend Parts: A=Truck Stock/B=Dist. Stock

*LVG102=2; LVG103=3; LVG104=4

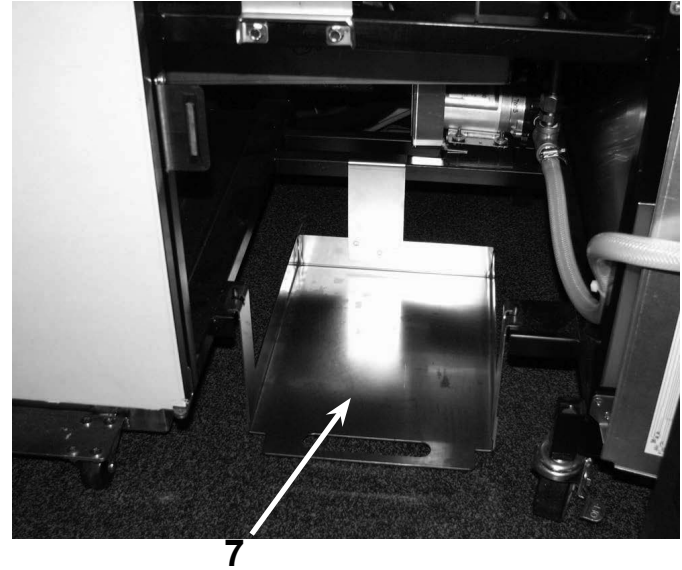
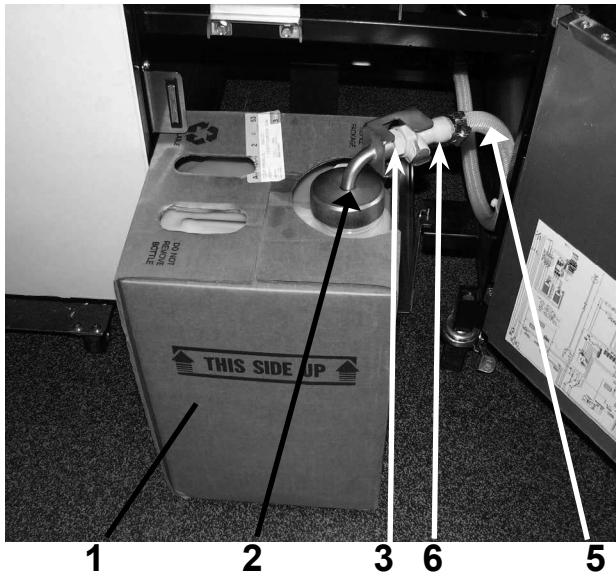


Filter Pan Assembly & Cleaning Brushes

Item No.	Part No.	Description	Quantity
1	77531	ASSY - DRAIN PAN - LVE	1
2	82673	ASSY-DRAIN PAN COVER.....	1
3	76259	WELD ASSY-CRUMB CATCHER	1
4	76179	WELD ASSY-FILTER WEIGHT	1
5	03190-054	McD's FILTER KIT (not supplied by Henny Penny)..... (includes fryer cleaner, 30 filter pads, & green cleaner pads)	1
6	76375	FILTER-SECTION	1
7	82672	WELD ASSY-DRAIN PAN.....	1
8	52487	CASTER - FILTER PAN	4
9*	SC01-009	SCREW (1/4-20 x 1/2).....	16
10*	NS02-002	NUT, KEPS (1/4-20).....	16
11	74573	ADAPTER - PUMP TO PICKUP TUBE	1
A 12	74189	O-RING-PICKUP TUBE.....	3
B 13	12126	BRUSH - BLACK L.....	1
B 14	12112	BRUSH - STRAIGHT WHITE	1
B 15	12116	BRUSH - FRYER - LONG HANDLE	1

Recommend Parts: A=Truck Stock/B=Dist. Stock

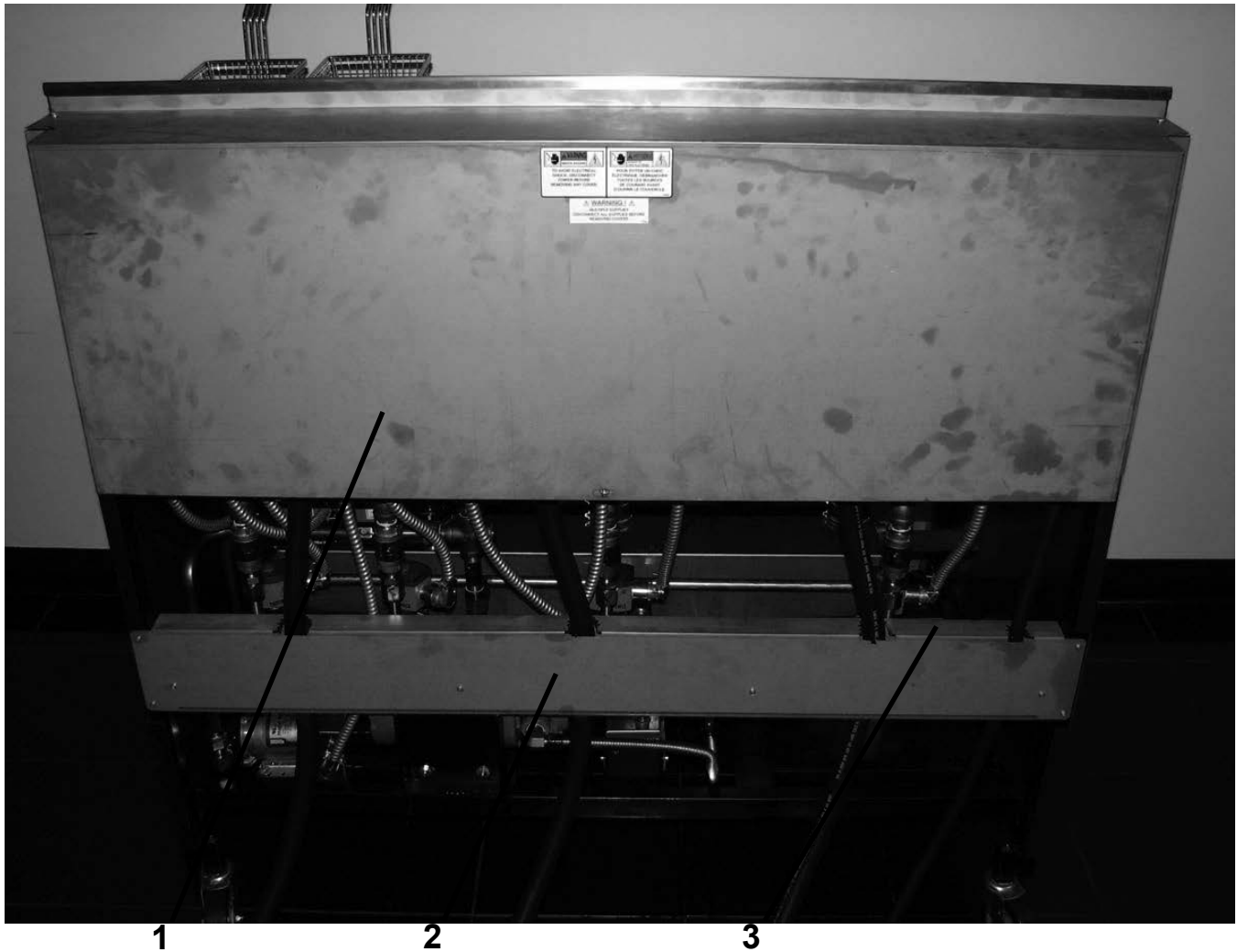
* not shown



Item No.	Part No.	Description	Quantity
1	03617	ACCESSORY-JUG-AUTO TOP OFF (EMPTY).....	1
B 2	78992	ASSY-JIB TUBE & QUICK DISC (Includes items 3 & 4).....	1
B 2	80490	ASSY-INT'L. JIB TUBE & QUICK DISC (Includes items 3 & 4)	1
B 3	FP05-017	QUICK DISCONNECT-3/8" - MALE	1
A 4*	MS01-561	O-RING - JIB TUBE	1
B 5	77288	ASSY - HOSE (Includes item 6)	1
B 6	FP05-016	QUICK DISCONNECT-3/8" - FEMALE	1
7	85966	WELD ASSY - JIB SHELF	1

Recommend Parts: A=Truck Stock/B=Dist. Stock

* not shown

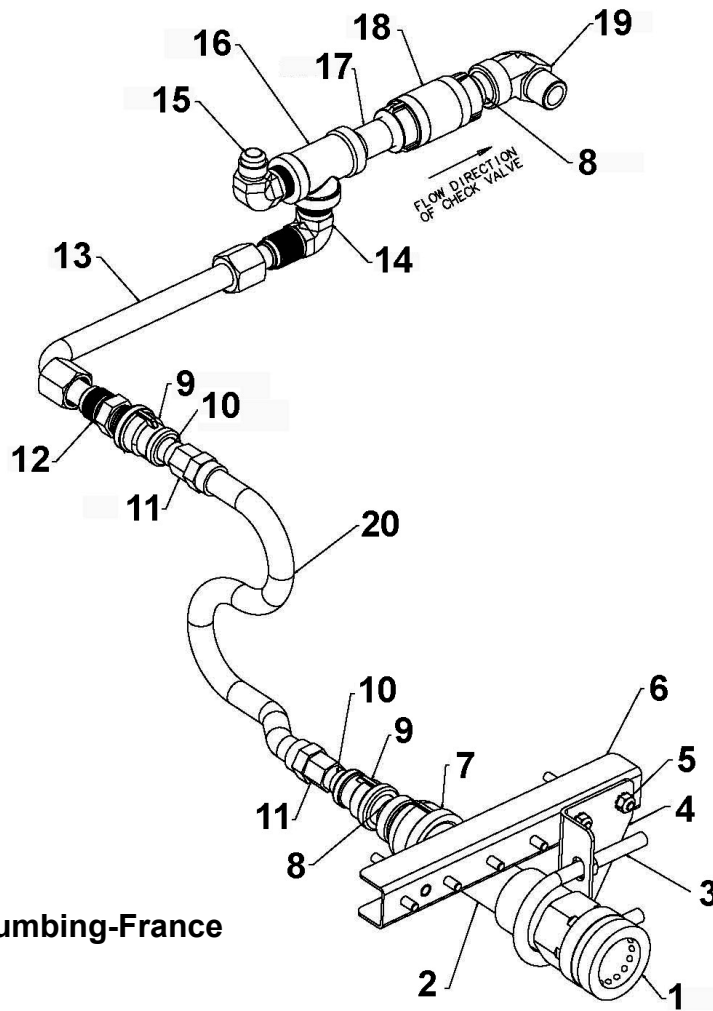


1

2

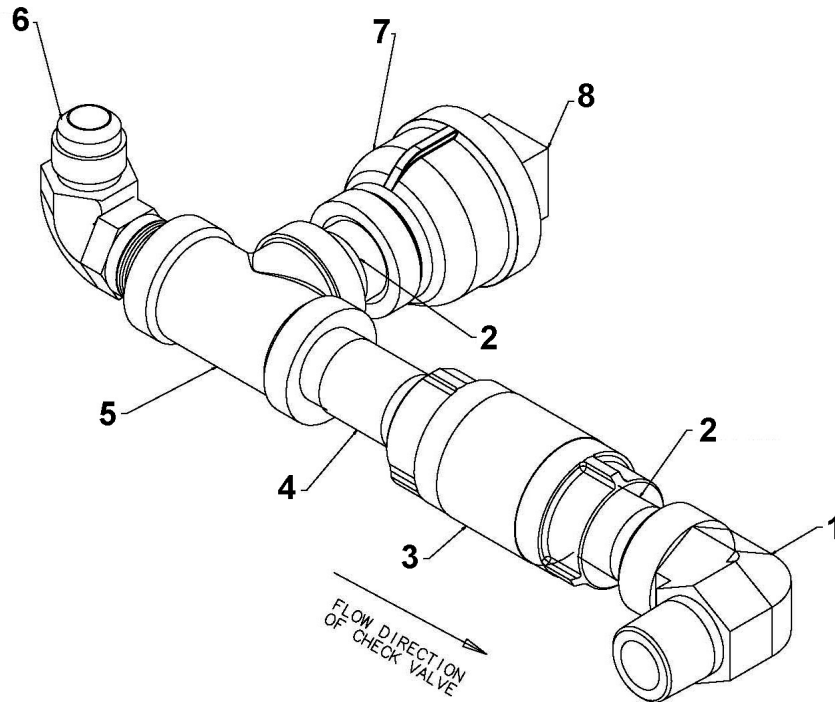
3

Item No.	Part No.	Description	Quantity
1	81048	COVER - REAR SHROUD - LVE-102	1
1	81049	COVER - REAR SHROUD - LVE-103	1
1	81050	COVER - REAR SHROUD - LVE-104	1
2	78316	COVER - SUPPORT - POWER CORD - LVE-102	1
2	78314	COVER - SUPPORT - POWER CORD - LVE-103	1
2	79177	COVER - SUPPORT - POWER CORD - LVE-104	1
3	74799	SUPPORT - POWER CORD - LVE-102	1
3	74689	SUPPORT - POWER CORD - LVE-103	1
3	75443	SUPPORT - POWER CORD - LVE-104	1



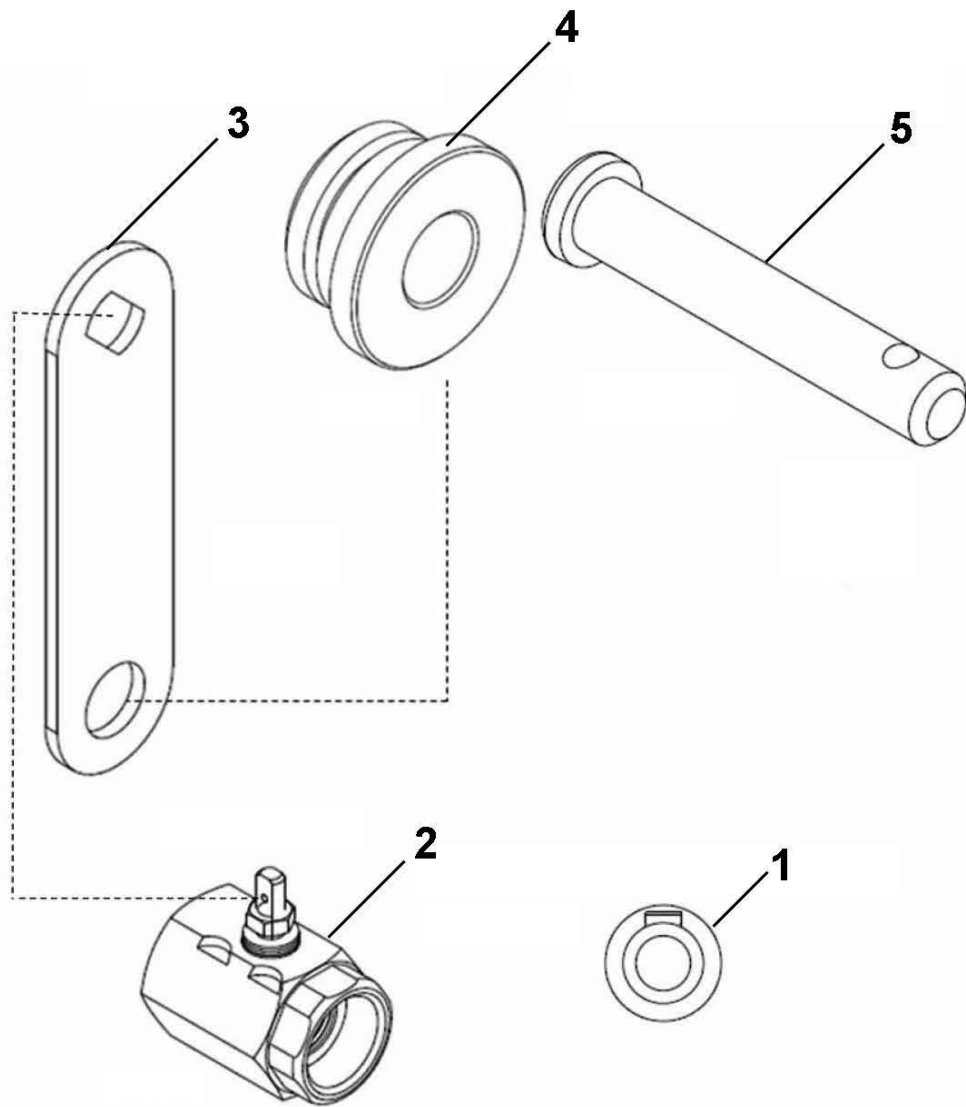
Oil Disposal Plumbing-France

Item No.	Part No.	Description	Quantity
1	80752	FITTING-QUICK COUPLE FEMALE.....	1
2	FP01-219	NIPPLE-1IN NPT X 4-1/2 LG BI	1
3	SC06-075	U-BOLT 3/8-16 FOR 1-1/2 DIA. (included nuts).....	1
4	80745	BRKT-FRENCH DRAIN TUBE MTG	1
5	NS02-002	NUT KEPS 1/4-20 C.....	2
6	80808	STUD ASSY-ADJ OIL DSPL BRACKET	1
7	FP01-217	COUPLE-REDUCE 1 F X 1/2F BI	1
8	FP01-023	NIPPLE - 1/2 INCH CLOSE BLACK.....	2
9	FP01-122	REDUCER 3/8 TO 1/2 B.I.....	2
10	FP02-024	NIPPLE-3/8 NPT CLOSE B.I.	2
11	FP01-206	CONNECTOR-3/8 NPT FEM 45 FLARE	2
12	16807	FITTING CONNECTOR MALE	1
13	76231	ASSY-SOL V TO JIB PUMP.....	1
14	17407	CONNECTOR 1/2 MALE ELBOW.....	1
15	FP01-205	ELBOW-1/2 IN NPT MALE 45 FLARE	1
16	FP01-112	1/2 NPT FEMALE PIPE TEE BI.....	1
17	FP02-018	NIPPLE-1/2 NPT X 2.00L BI.....	1
A 18	74469	VALVE-1/2 CHECK.....	1
19	16239	ELBOW STREET 90 DEGREE	1
20	77523	TUBE-SUCTION 18 IN L DORMONT	1



Oil Disposal Plumbing-Australia

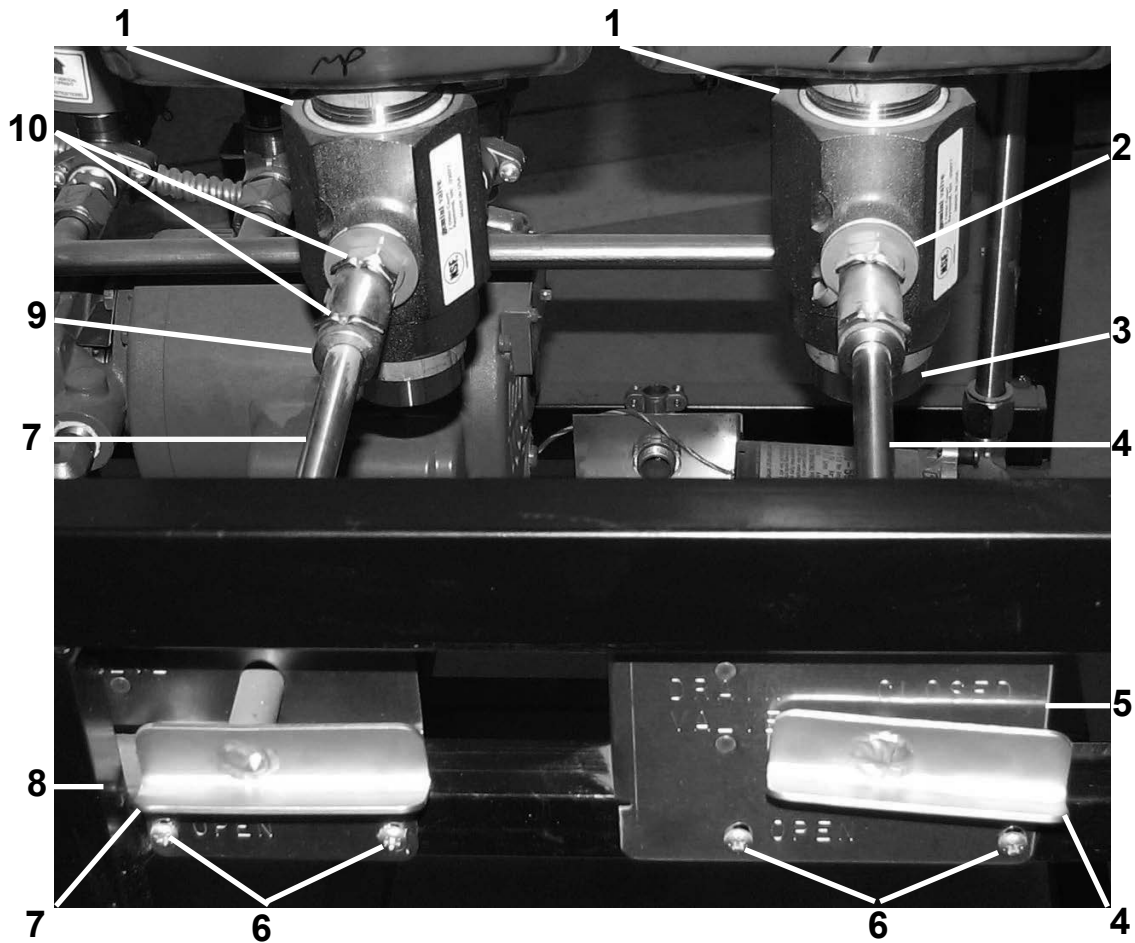
Item No.	Part No.	Description	Quantity
1	16239	ELBOW STREET 90 DEGREE	1
2	FP01-023	NIPPLE - 1/2 INCH CLOSE BLACK.....	2
A 3	74469	VALVE-1/2 CHECK.....	1
4	FP02-018	1/2 STR PIPE COUPLING CONDUIT.....	1
5	FP01-112	1/2 NPT FEMALE PIPE TEE BI	1
6	FP01-205	ELBOW-1/2 IN NPT MALE 45 FLARE	1
7	FP01-217	COUPLE-REDUCE 1 F X 1/2F BI	1
8	FP01-218	PLUG-1 PIPE-BI	1



Drain Valve Linkage Parts - Standard Vat

Item No.	Part No.	Description	Quantity
1	PN01-031	PIN - LOCKING WEDGE - 1/4 x 1-1/4.....	1/vat
B 2	79590	VALVE - DRAIN	1/vat
A 3	73994	HANDLE - PIVOT - DRAIN.....	1/vat
4	74568	PIVOT - BUSHING - ACTUATOR	1/vat
B 5	50776	PIN - ACTUATOR - CLEVIS	1/vat

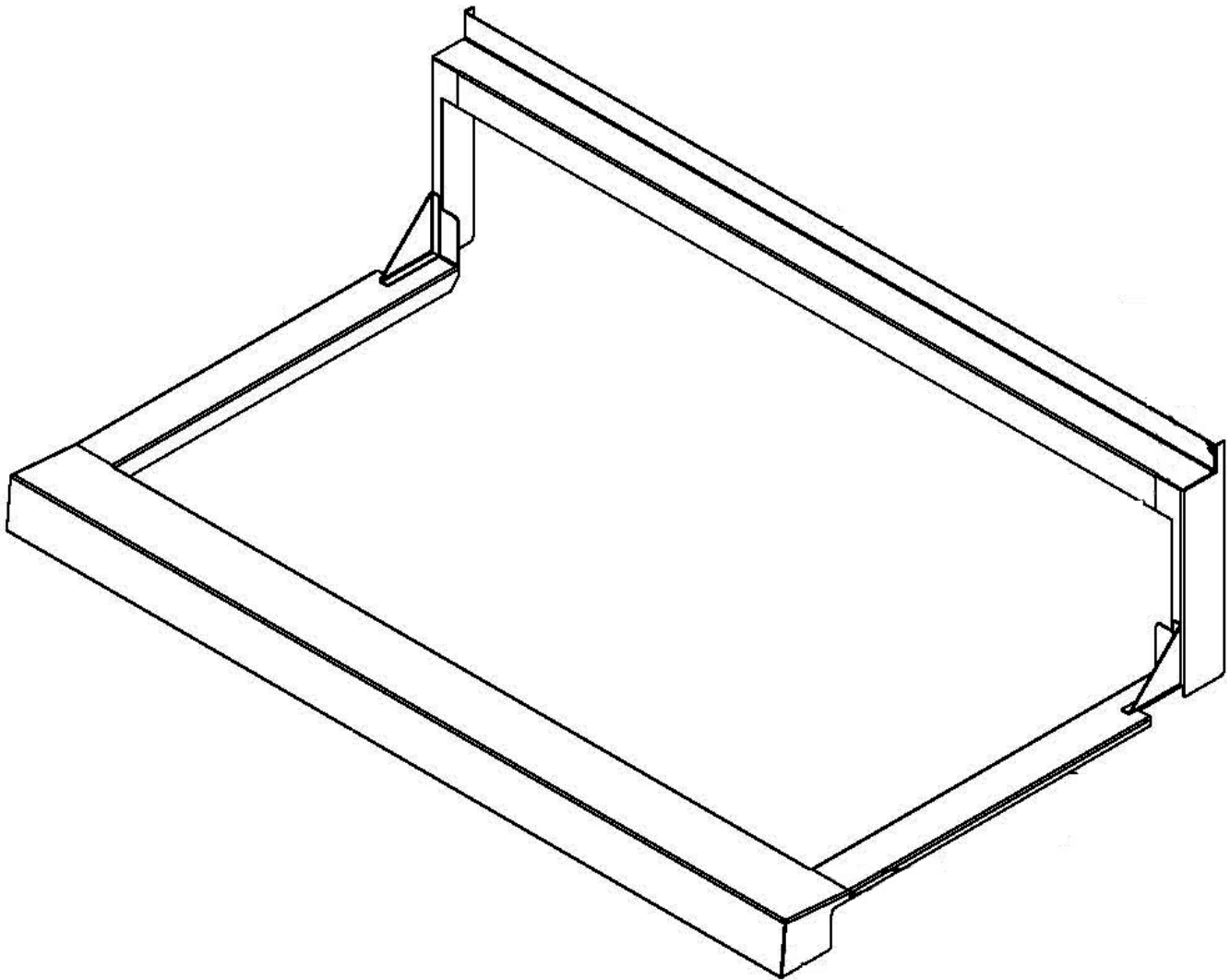
Recommend Parts: A=Truck Stock/B=Dist. Stock



Drain Valve Linkage Parts - Fish Vat

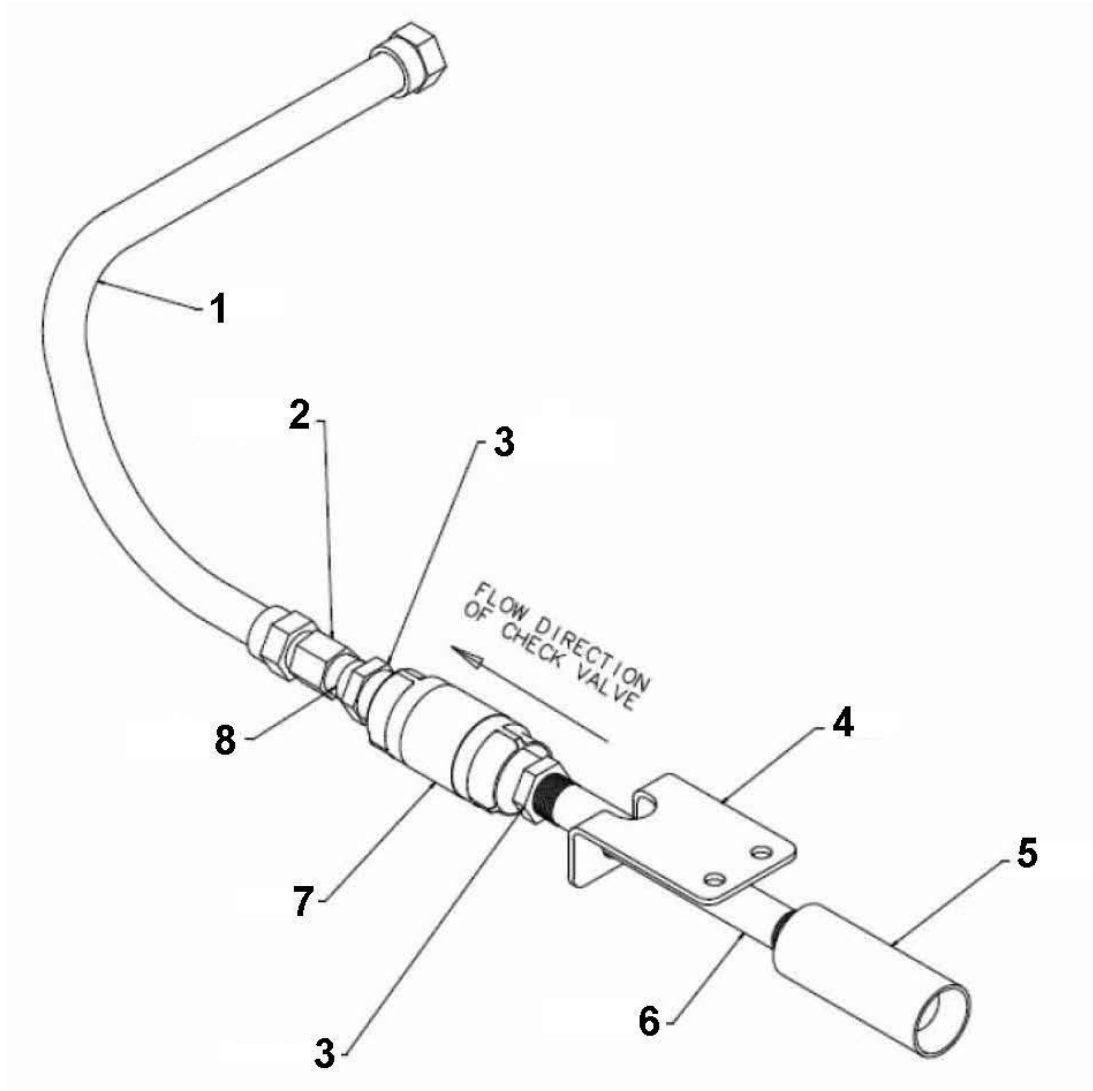
Item No.	Part No.	Description	Quantity
B 1	79590	VALVE-DRAIN.....	1/vat
2	74626	STOP-PIVOT DRAIN HANDLE.....	1/vat
3	74553	EXTENSION-DRAIN.....	1/vat
4	77405	WELD ASSY-FISH DRAIN ROD.....	1/vat
5	80599	STUD ASSY-DR ROD BRKT-FISH VAT.....	1/vat
6	SC04-003	SCREW-#8-32 X 3/8".....	2/vat
7	81891	WELD ASSY-FISH ROD-R WELL-L VAT.....	1/vat
8	81812	STUD ASSY-ROD BRKT-FISH VAT-R WELL-L VAT..	1/vat
9	55142	COUPLING-DRAIN VALVE.....	1/vat
10	17255	PIN -COTTER.....	2/vat
A 11*	18227	SWITCH-LEVER.....	1/vat
12*	NS02-005	NUT-#6-32.....	2/vat
13*	MS01-307	CLAMP-HOSE.....	2/vat
14*	72554	HOSE-MANDREL WRAPPED SILICONE.....	1/vat
15*	76598	GUARD-SILICONE HOSE.....	1/vat
16*	77443	WELD ASSY-FISH OIL DIVERTER.....	1/VAT

Recommend Parts: A=Truck Stock/B=Dist. Stock
*not shown



Fry Cap

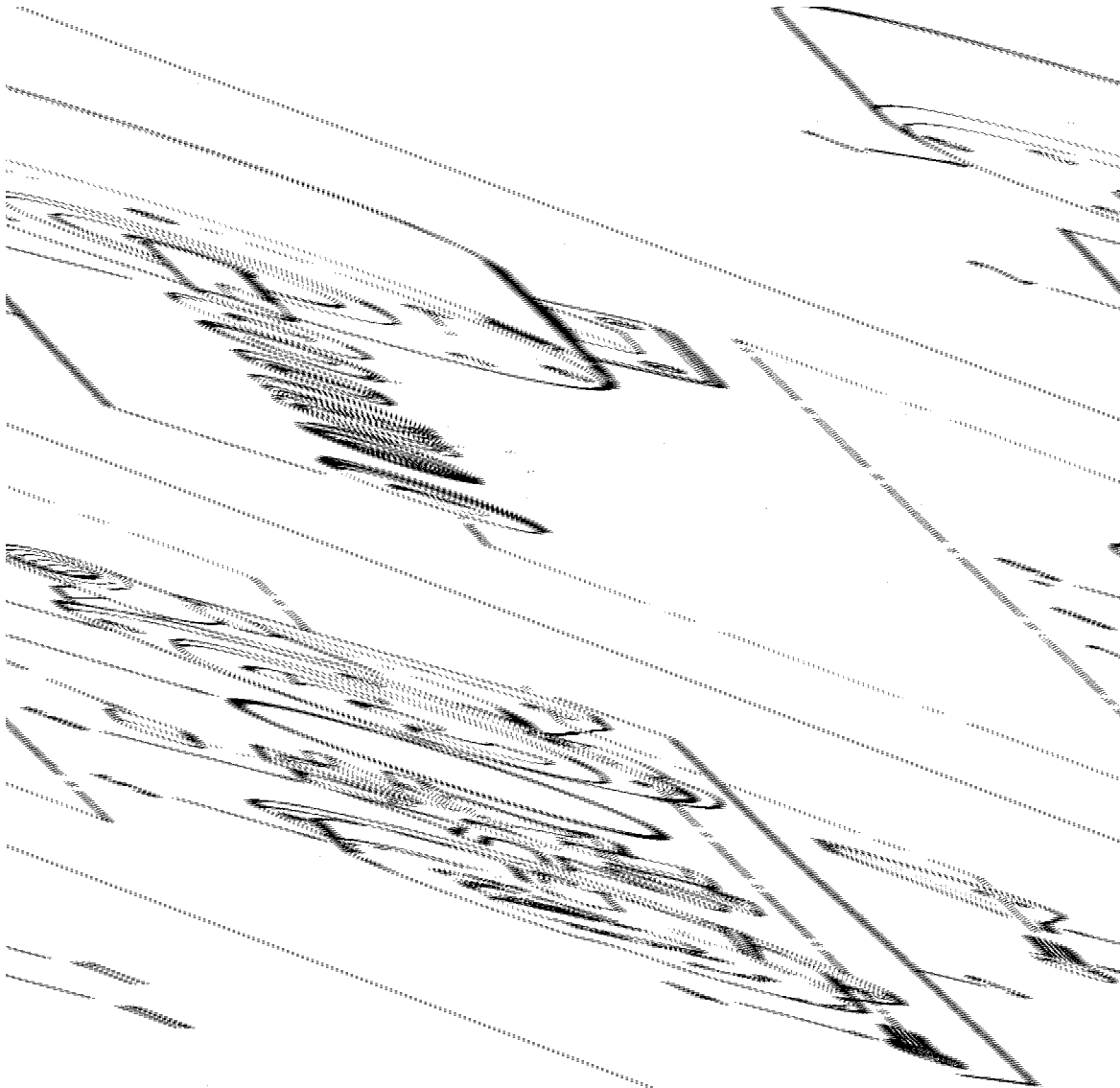
Item No.	Part No.	Description	Quantity
1	03618	ACCESSORY-FRY CAP - LVE-102	1
1	03619	ACCESSORY-FRY CAP - LVE-103	1
1	03620	ACCESSORY-FRY CAP - LVE-104	1



Filter Return Line Assembly

Item No.	Part No.	Description	Quantity
1	77523	TUBE-SUCTION 18 IN L DORMONT.....	1
2	FP01-206	CONNECTOR-3/8 NPT FEM 45 FLARE	1
3	FP01-029	REDUCER 1/2NPT M-3/8NPT F SS	2
4	77259	BRACKET-PLUG AND PLAY	1
5	77248	ADAPTER-TUBE END	1
6	FP01-204	NIPPLE-3/8 NPT X 6IN L BLACK	1
A 7	74469	VALVE-1/2 CHECK.....	1
8	FP02-024	NIPPLE-3/8 NPT CLOSE B.I.	1

Recommend Parts: A=Truck Stock/B=Dist. Stock



Filter Motor and Pump

Item No.	Part No.	Description	Quantity
A 1	67583	MOTOR, 1/2 HP - 50/60 Hz	1
A 2	17476	SEAL KIT	1
B 3	17437	PUMP ASSEMBLY	1
4	SC01-132	SCREW, Pump Cover	1
5	17451	COVER, Pump.....	1
B 6	17447	ROTOR, Pump.....	1
A 7	17446	ROLLER, Pump.....	5
A 8	17453	O-RING.....	1
9	17454	BODY, Pump	1
10	17456	SHIELD, Pump.....	2
11	SC01-026	SCREW, Pump Shield.....	1

Recommend Parts: A=Truck Stock/B=Dist. Stock