

SECTION 8. PARTS INFORMATION

8-1. INTRODUCTION

This section lists the replaceable parts of the Henny Penny Model LVG fryer.

8-2. GENUINE PARTS

Use only genuine Henny Penny parts in your fryer. Using a part of lesser quality or substitute design may result in damage to the unit or personal injury.

8-3. WHEN ORDERING PARTS

Once the parts that you want to order have been found in the parts list, write down the following information:

Item Number	<u>2</u>	Example:
Part Number	<u>60241</u>	
Description	<u>High Limit</u>	

From the data plate, list the following information:

Product Number	<u>01100</u>	Example:
Serial Number	<u>0001</u>	
Voltage	<u>208</u>	

8-4. PRICES

Your distributor has a price parts list and will be glad to inform you of the cost of your parts order.

8-5. DELIVERY

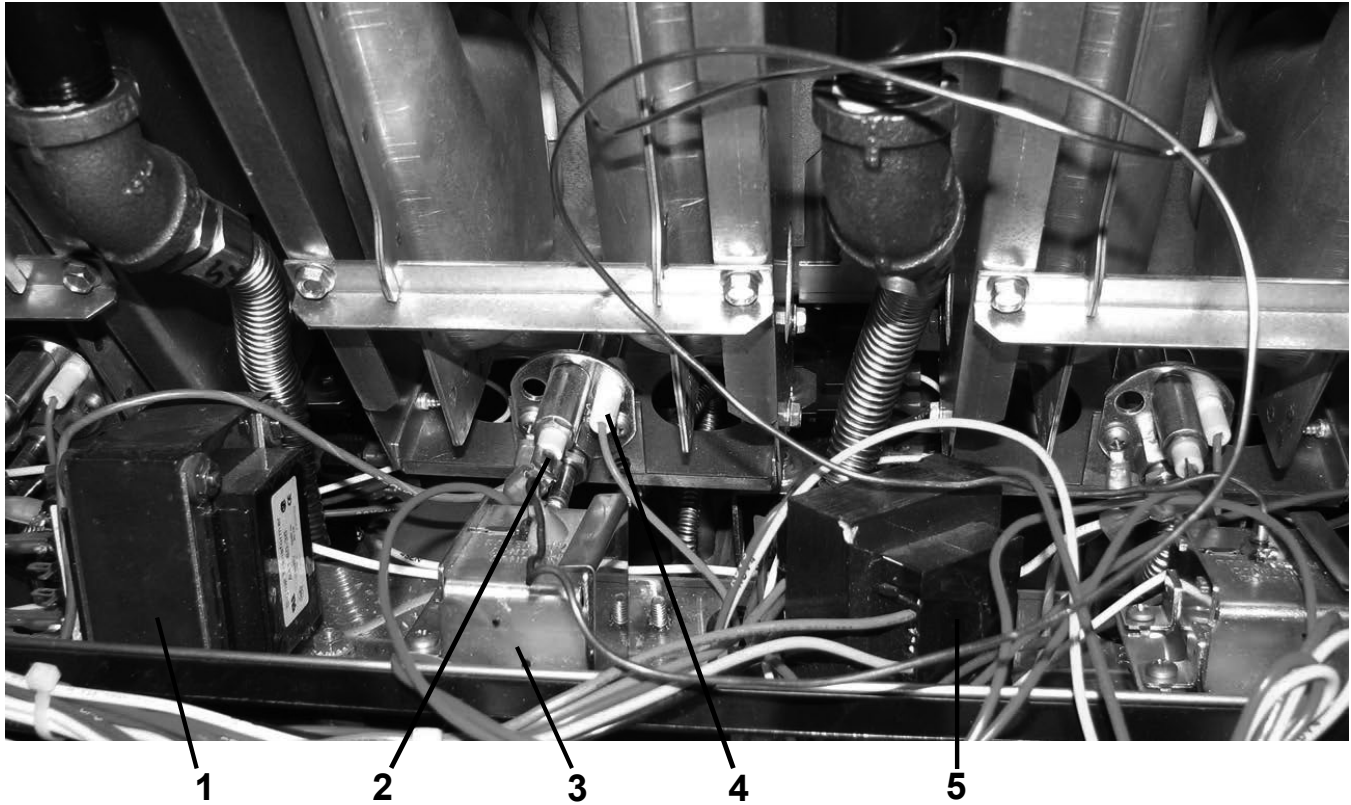
Commonly replaced items are stocked by your distributor and will be sent out when your order is received. Other parts will be ordered, by your distributor, from Henny Penny Corp. Normally, these will be sent to your distributor within three working days.

8-6. WARRANTY

All replacement parts (except lamps and fuses) are warranted for 90 days against manufacturing defects and workmanship. If damage occurs during shipping, notify the carrier at once so that a claim may be properly filed. Refer to warranty in the front of this manual for other rights and limitations.

8-7. RECOMMENDED SPARE PARTS FOR DISTRIBUTORS

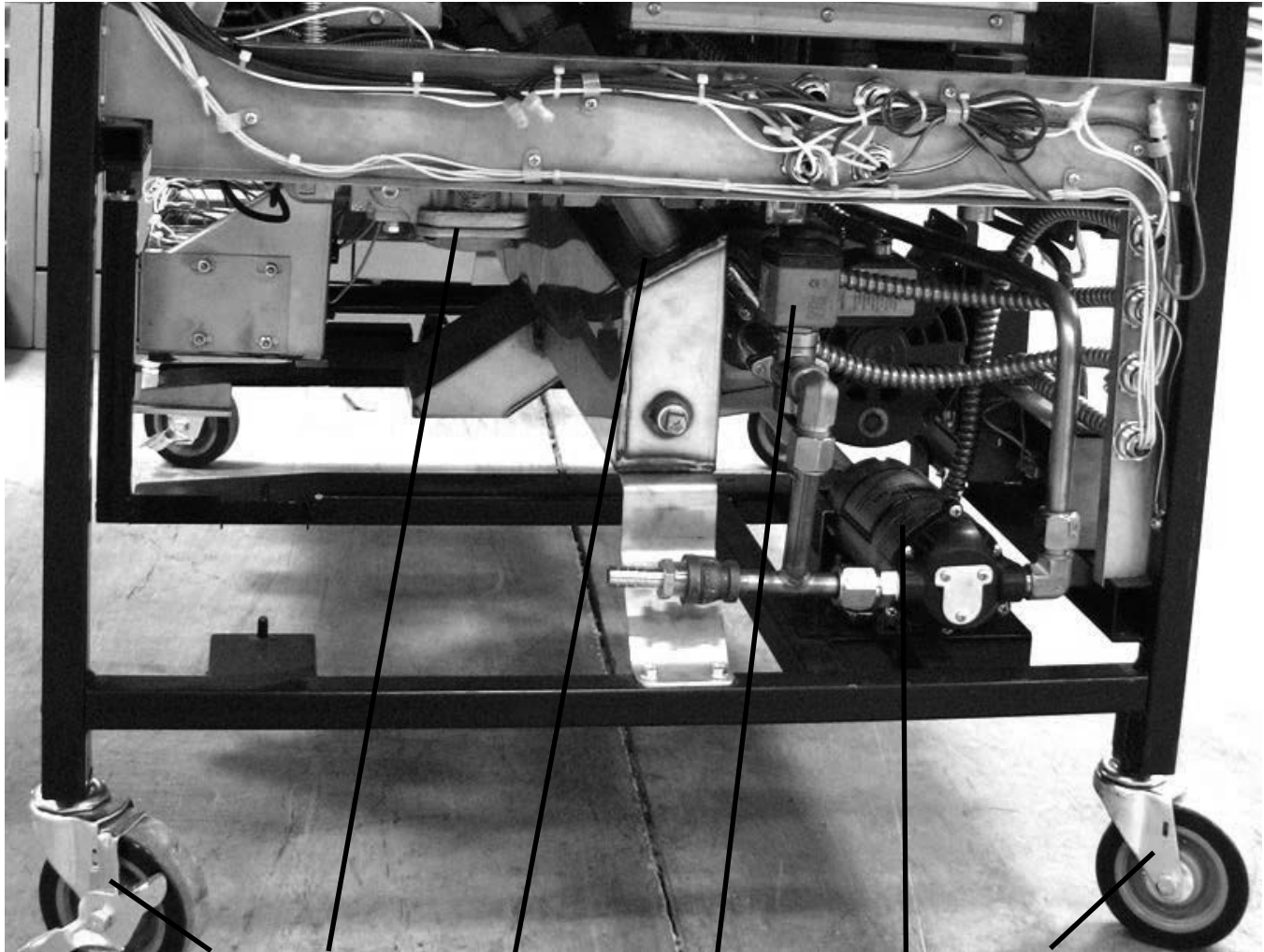
Recommended replacement parts, stocked by your distributor, are indicated with √ in the parts lists. Please use care when ordering recommended parts, because all voltages and variations are marked. Distributors should order parts based upon common voltages and equipment sold in their territory.



Item No.	Part No.	Description	Quantity
√ 1	TS22-012	TRANSFORMER - AIF	1
√ 2	76978	FLAME SENSOR.....	2/vat
√ 3	16738	HIGH LIMIT - 450°F.....	1/vat
√ 4	75854	ASSY - SPARK IGNITOR (PILOT)	2/vat
√ 5	84391	ASSY-75VA TRANSFORMER (120V-Pri/24v-Sec)	1/vat
√ 5	84134	ASSY-75VA TRANSFORMER (208V-Pri/24v-Sec)	1/vat
√ 5	84135	ASSY-75VA TRANSFORMER (240V-Pri/24v-Sec)	1/vat
6*	76921	ORIFICE - BRASS (See chart below).....	4/vat
7*	140086	KIT-CONVERSION (NAT TO LP) Split Vat.....	1/well
8*	140087	KIT-CONVERSION (NAT TO LP) Full Vat.....	1/well
9*	140088	KIT-CONVERSION (LP TO NAT) Split Vat.....	1/well
10*	140089	KIT-CONVERSION (LP TO NAT) Full Vat.....	1/well

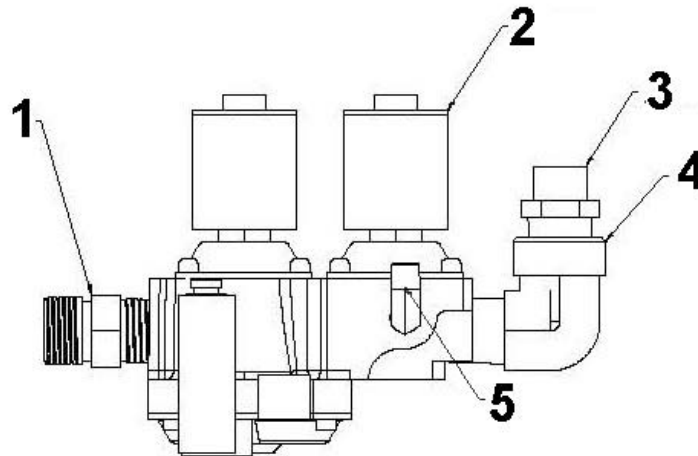
PART NO.	ORIFICE DRILL SIZE (DIA.)	GAS TYPE	ALTITUDE
76921-001	#45 (0.082)	NATURAL	<5301
76921-001	#45 (0.082)	12H, 12E	--
76921-002	1.30mm (0.0512)	PROPANE	ALL
76921-002	1.30mm (0.0512)	13P	ALL
76921-003	#44 (0.086)	NATURAL	5302 - 7701
76921-004	#43 (0.089)	NATURAL	7702 - 10101
76921-005	#42 (0.0935)	12S	--
76921-006	#51 (0.067)	12E+	--
76921-007	2.30mm (0.0906)	12L	--
76921-008	1.25mm (0.0492)	13B/P	--

√ recommended parts

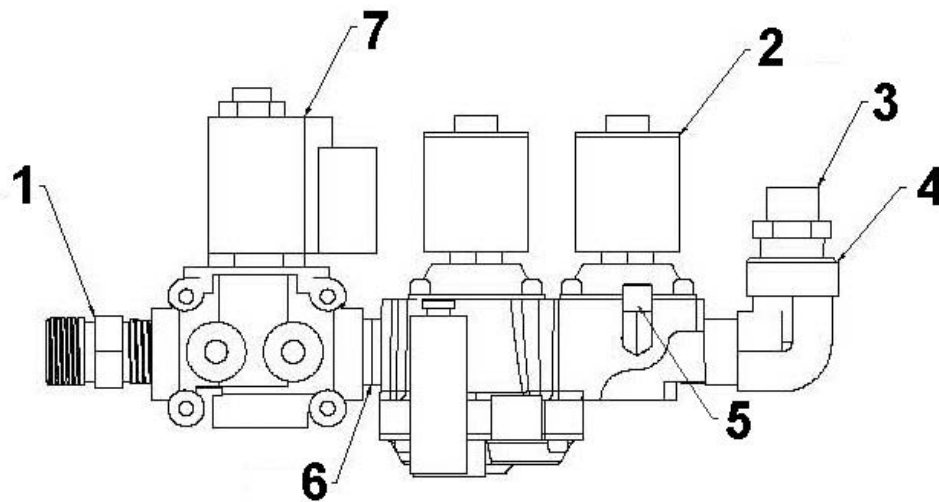


Item No.	Part No.	Description	Quantity
1	77575	CASTER - 4" - W/BRAKE	2
√ 2	78118	VALVE - GAS CONTROL - NAT	1/vat
√ 2	78517	VALVE - GAS CONTROL - LP	1/vat
√ 3	76948	O-RING	1/vat
√ 4	73647	SOLENOID - ASCO - 120V (JIB Solenoids)	2
√ 4	74582	SOLENOID - ASCO - 230V (JIB Solenoids)	2
	140229	---KIT-SOLENOID REPAIR	A/R
√ 5	73473	PUMP - OIL TOP OFF - 120V	1
√ 5	74583	PUMP - OIL TOP OFF - 230V	1
6	77679	CASTER - 4"	2

√ recommended parts



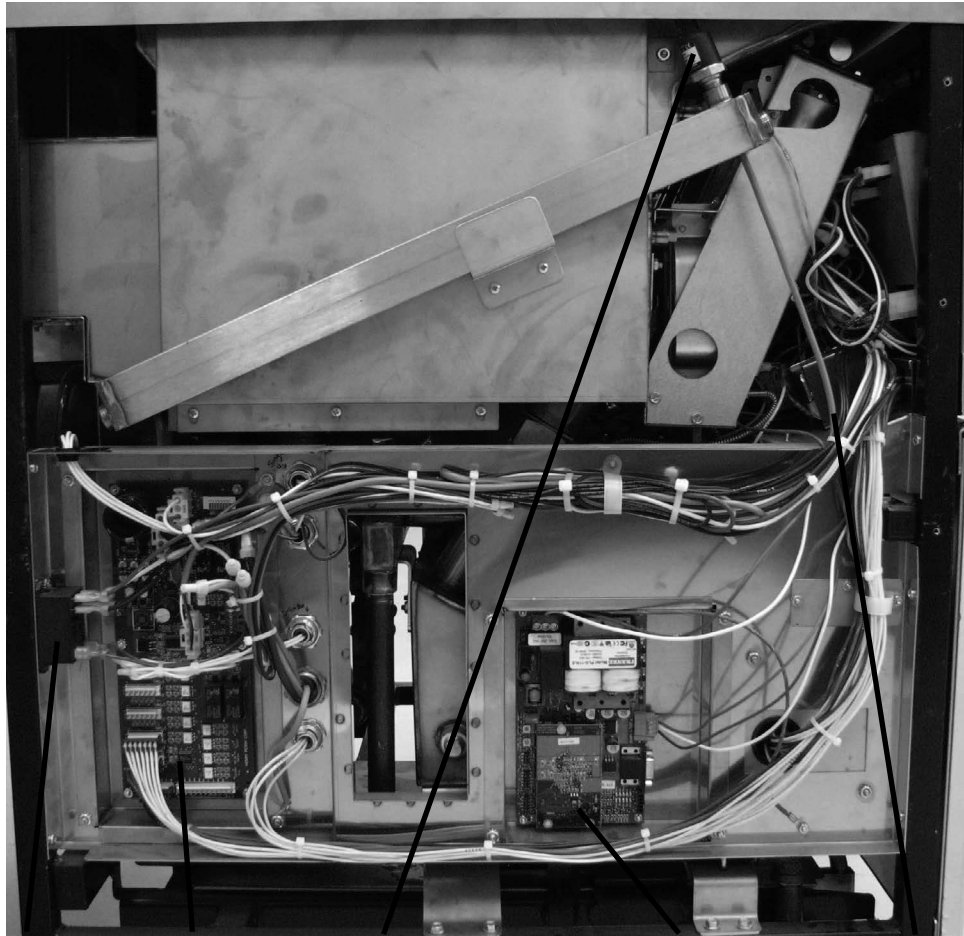
NON-CE GAS VALVE ASSEMBLY



CE GAS VALVE ASSEMBLY

Item No.	Part No.	Description	Quantity (per assy)
1	16807	FITTING - MALE CONNECTOR.....	1
√ 2	78118	VALVE - GAS CONTROL - NAT.....	1
√ 2	78517	VALVE - GAS CONTROL - LP.....	1
3	FP01-211	CONNECTOR - MALE 1/2 TUBE TO 1/2 NPT.....	1
4	16239	ELBOW - STREET - 90 DEGREES.....	1
5	FP05-004	ELBOW - 1/4 TUBE TO 1/8 PIPE Z.....	2
6	FP01-028	NIPPLE - CLOSE 1/2 NPT SS 1 LG.....	1
√ 7	34802	VALVE - SOLENOID GAS - 24V - 50/60 HZ.....	2

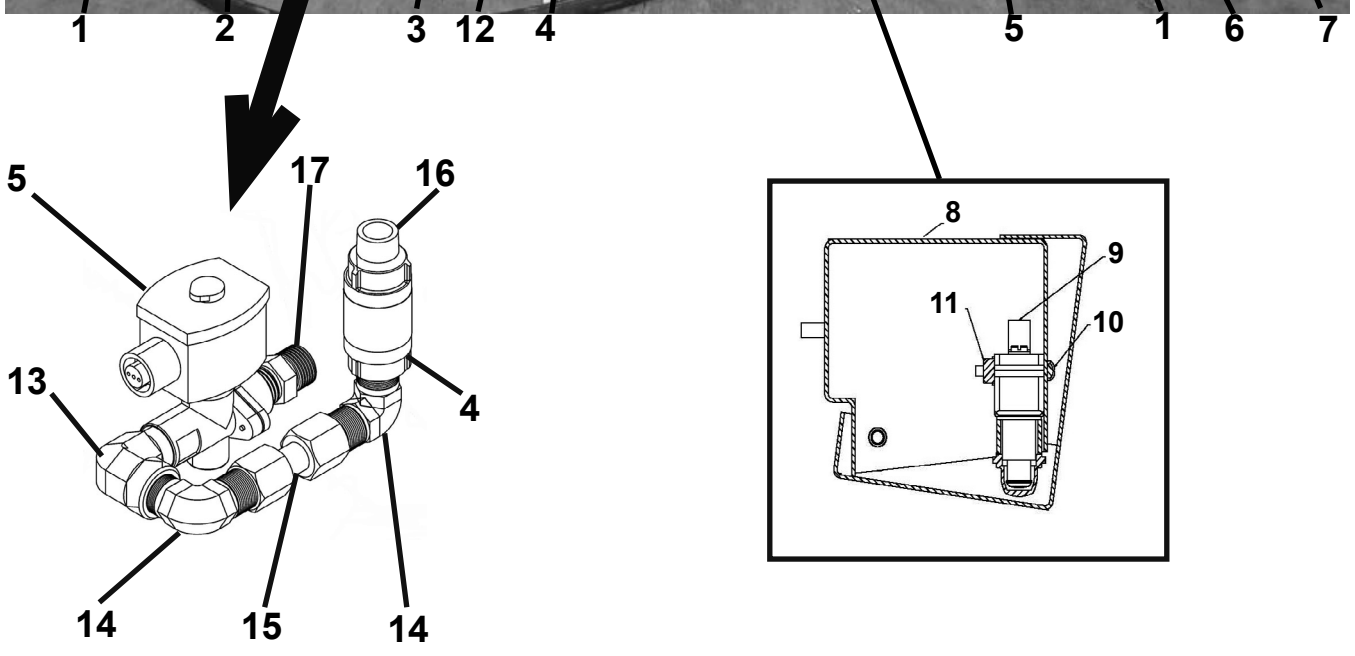
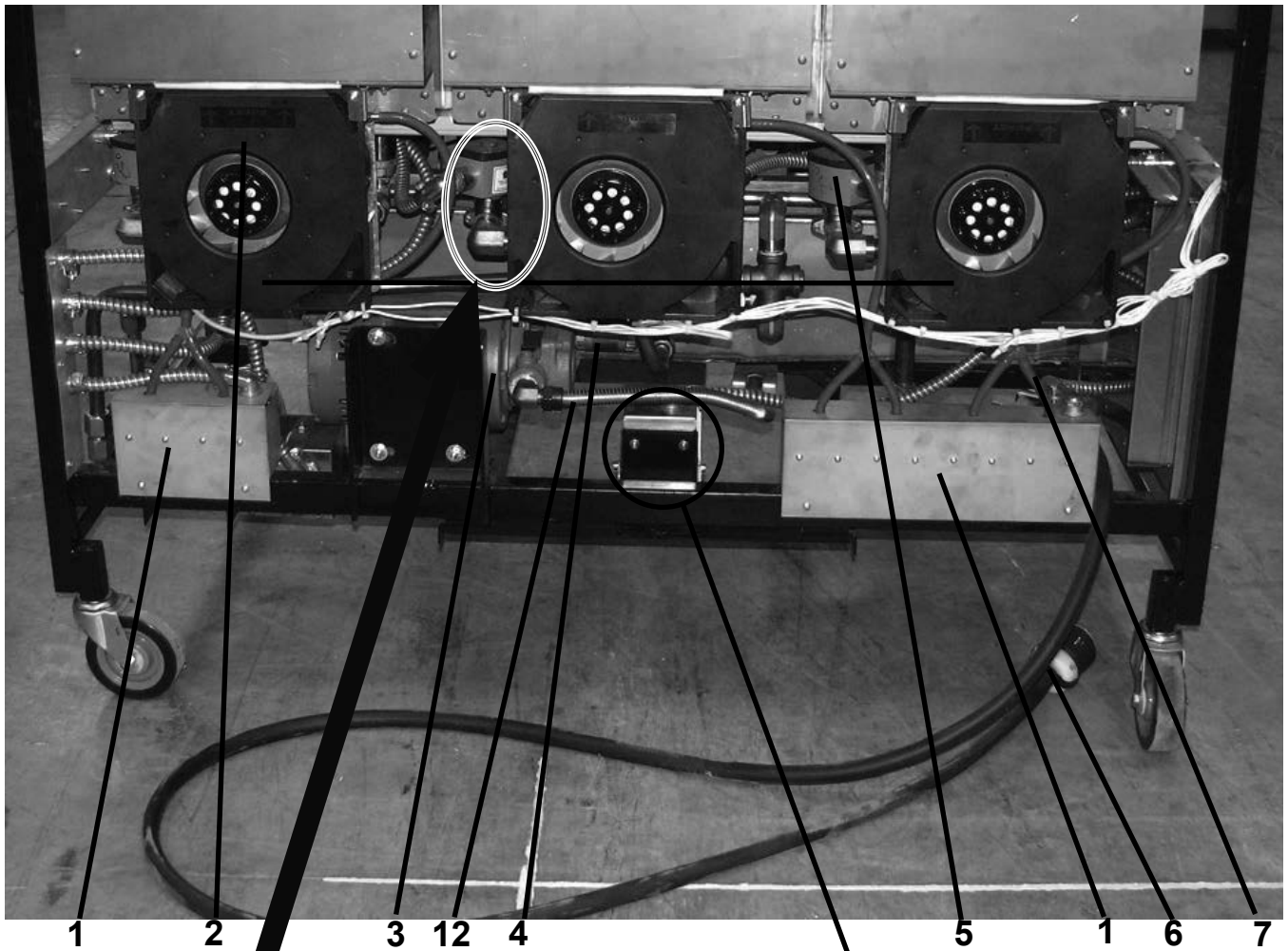
√ recommended parts



Item No.	Part No.	Description	Quantity
√ 1	ME90-008	RELAY - PUMP MOTOR - 12 VDC - 30 AMP	1
√ 2	76463	PC BOARD - AIF	1
√ 3	79213	TRANSDUCER - PRESSUER 30 PSI	1
4	79596-XXXX	GATEWAY PC BOARD (See chart below).....	1
5	84384	HARNESS - PRESSURE TRANSDUCER	1
6*	51065	ASSY-EMC FILTER BOARD.....	1
6*	82914	ASSY-EMC FILTER BOARD - CE	1
7*	80373	BLOCK -TERMINAL POWER - CE.....	1

Part No.	Voltage	Coupling	Transceiver Type	Model
79596-1102	115	LE	NON-CENELEC	LVG-102
79596-1103	115	LE	NON-CENELEC	LVG-103
79596-1104	115	LE	NON-CENELEC	LVG-104
79596-1202	115	LN	NON-CENELEC	LVG-102
79596-1203	115	LN	NON-CENELEC	LVG-103
79596-1204	115	LN	NON-CENELEC	LVG-104
79596-2202	230	LN	NON-CENELEC	LVG-102
79596-2203	230	LN	NON-CENELEC	LVG-103
79596-2204	230	LN	NON-CENELEC	LVG-104
79596-2212	230	LN	CENELEC	LVG-102
79596-2213	230	LN	CENELEC	LVG-103
79596-2214	230	LN	CENELEC	LVG-104

√ recommended parts / * not shown



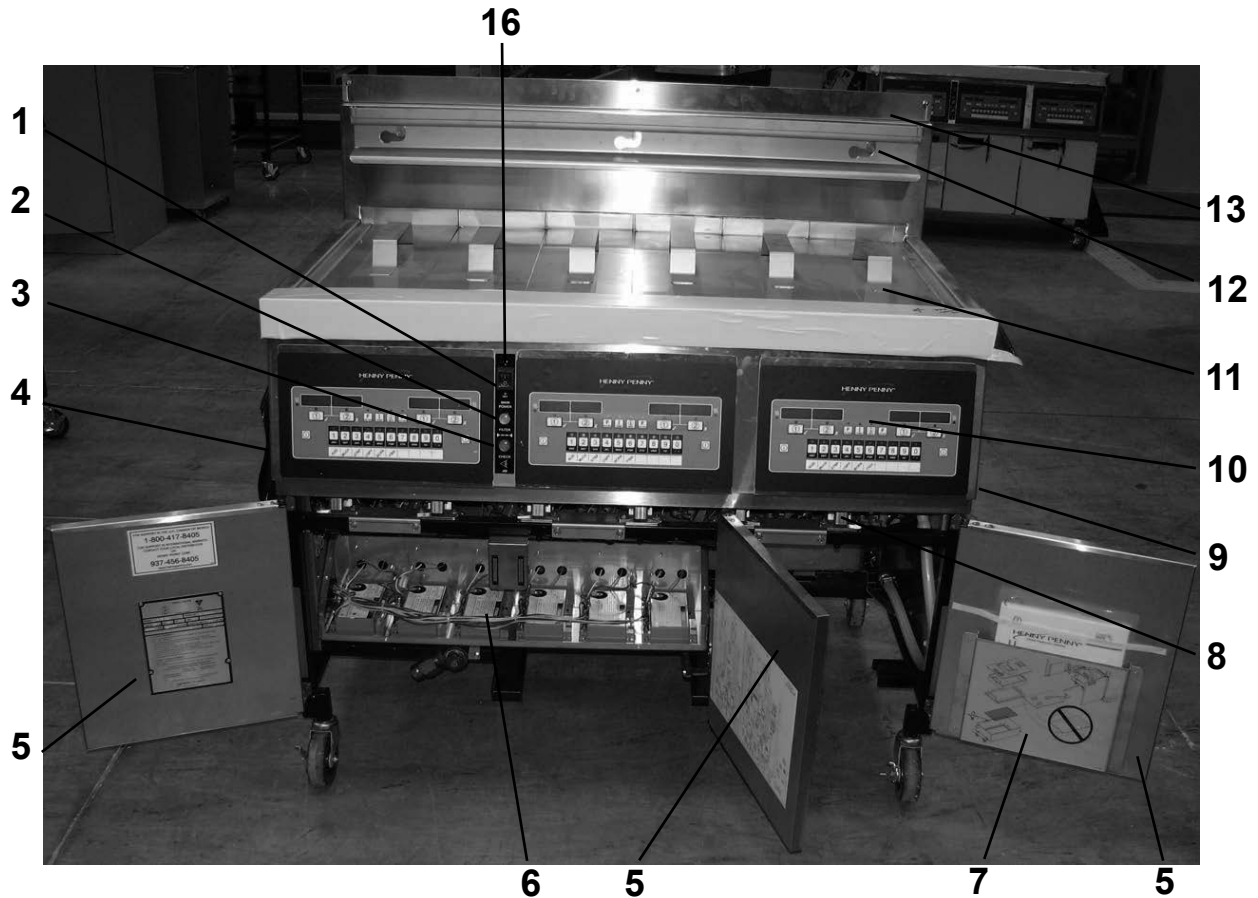
Item No.	Part No.	Description	Quantity
√ 1	77992	SWITCH - PRESSURE - 0.80 (behind covers).....	1/vat
√ 2	77826-001	MOTOR - BLOWER - 230V.....	1/ control board
√ 2	77826-002	MOTOR - BLOWER - 120V.....	1/ control board
3	67589	PUMP & MOTOR ASSY...(See page 8-19 for details).....	1
√	67583	MOTOR - 1/2 HORSE.....	1
	17437	PUMP - FILTER	1
	17476	SEAL KIT	1
√ 4	74469	VALVE-CHECK-1/2" (Vat Fill) (Use item 20 on threads)	1/vat
√ 5	73647	SOLENOID - ASCO - 120V (return valves).....	1/vat
√ 5	74582	SOLENOID - ASCO - 230V (return valves).....	1/vat
6	73517	ASSY - POWER CORD 120V	1
7	79443-X	TUBE - PRESSURE SWITCH (see chart below).....	AR
8	80153	ASSY - SWITCH HSG W/BOOT.....	1
9	80148	ASSY-DRAIN SWITCH W/BOOT.....	1
10	SC01-058	COVER - SWITCH HOUSING W/BOOT.....	2
11	NS02-005	SCREW - #6-32 X 1 PH PHD C	2
√ 12	77523-002	TUBE-SUCTION-18".....	1
13	16239	STREET ELL 90° 1/2"	1/vat
14	17407	CONNECTOR-ELBOW-MALE-1/2".....	2/vat
15	75426	ASSY-TEE TO JIB PUMP INLET.....	1/va
16	FP01-028	NIPPLE-CLOSE-1/2".....	1/vat
17	16807	FITTING-CONNECTOR-MALE-1/2" NPT x 5/8" TUBE ...	1/vat
√ 18*	MS01-572	PRIMER-LOCTITE-0.8oz. CAN (check valve threads)	1
19*	82139	BAR-REAR SPACER-LVG-102.....	1
20*	80219	BAR-REAR SPACER-LVG-103.....	1
21*	83792	BAR-REAR SPACER-LVG-104.....	1
22*	FP01-213	FITTING-1/4 WYE HOSE BARB.....	AR

<u>PART NO.</u>	<u>LENGTH</u>
79443-1	2.5"
79443-2	13"
79443-3	19"
79443-4	16"
79443-5	26"
79443-6	14"
79443-7	17"
79443-8	22"
79443-9	32"
79443-10	38"

√ recommended parts

* not shown

AR as required



Item No.	Part No.	Description	Quantity
√ 1	52224	SWITCH - POWER.....	1
√ 2	75860	LIGHT - INDICATOR - BLUE.....	1
√ 3	75859	LIGHT - INDICATOR - YELLOW.....	1
4	76930	PANEL-LH SIDE-LVG10X	1
5	-----	ASSY-DOOR.....	See chart on next page
√ 6	77839	MODULES - IGNITION.....	1/vat
√ 6	77602	MODULES- CE- IGNITION	1/vat
7	78482	HOLDER-CHART.....	1
√ 8	78356	ASSY-DRAIN ACTUATOR.....	1/vat
9	76931	PANEL-RH SIDE-LVG10X	1
√ 10	76673RB	ASSY - CONTROL - LOV	AR
11	03647	COVER - SPLIT VAT.....	1/vat
11	03646	COVER - FULL VAT.....	1/vat
12	77842	HANGER-BASKET - LVG-102	1
12	77709	HANGER-BASKET - LVG-103	1
12	77934	HANGER-BASKET - LVG-104	1
13	82002	DEFLECTOR-REAR COVER FLUE-LVG-102 (Before SN: BU1006014)	1
13	81954	DEFLECTOR-REAR COVER FLUE-LVG-103 (Before SN: BU1009013)	1
13	83357	DEFLECTOR-REAR COVER FLUE-LVG-104 (Before SN: BU1005051)	1
√ 14*	60818	RELAY - 24VAC COIL (Full Vat Fryers Only).....	1/vat
15*	140071	TETHER KIT-GAS FRYER.....	1
16	77103	DECAL-FLTR/CK JIB/MAIN POWER	1

√ recommended parts / * not shown / AR as required

79314 LH Door Assy with Label	74302 RH Door Assy with Holder
--	---

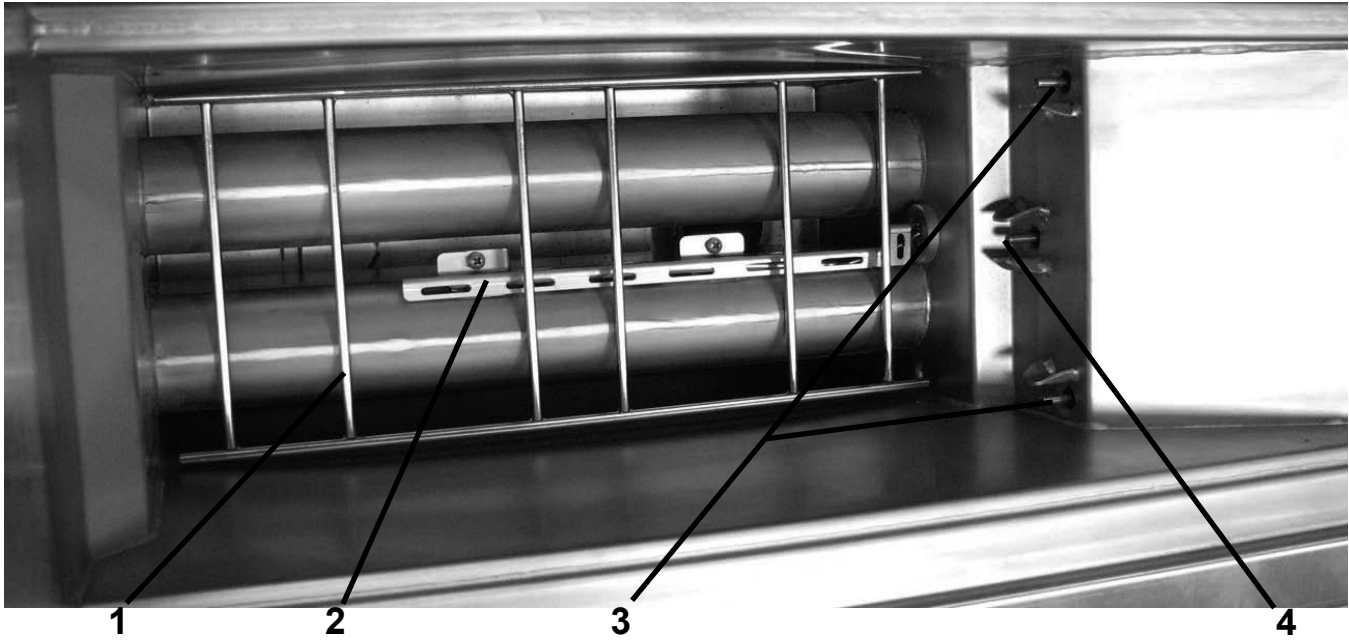
Model LVG-102

79314 LH Door Assy with Label	87041 RH Door Assy without Holder	74302 RH Door Assy with Holder
--	--	---

Model LVG-103

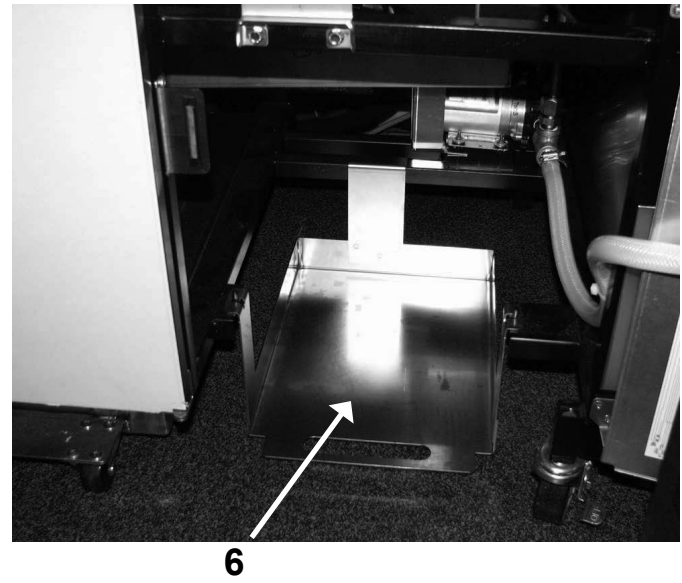
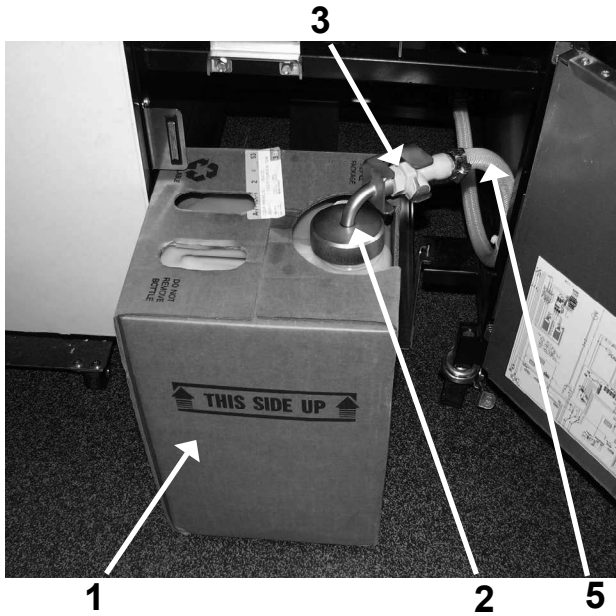
89897 LH Door Assy with Label	74301 LH Door Assy without Holder	87041 RH Door Assy without Holder	74302 RH Door Assy with Holder
--	--	--	---

Model LVG-104



Item No.	Part No.	Description	Quantity
√ 1	76980	RACK - SPLIT VAT	1/vat
√ 1	76982	RACK - FULL VAT	1/vat
2	77061	GUARD - HIGH LIMIT - LVG.....	1/vat
√ 3	14974	PROBE - LEVEL SENSE - 2.5 in.	2/vat
√ 4	14974	PROBE - TEMPERATURE - 2.5 in.	1/vat

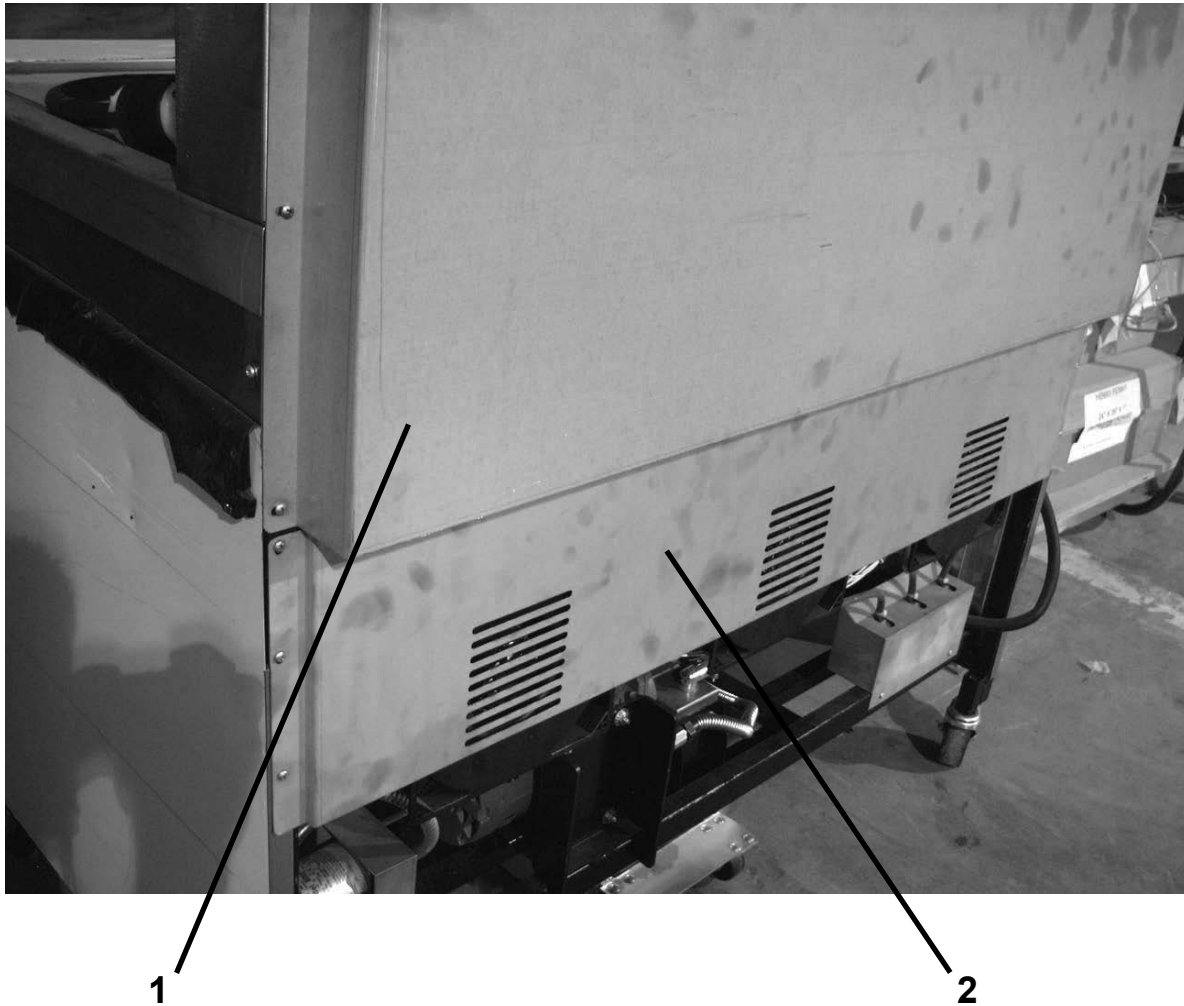
√ recommended parts



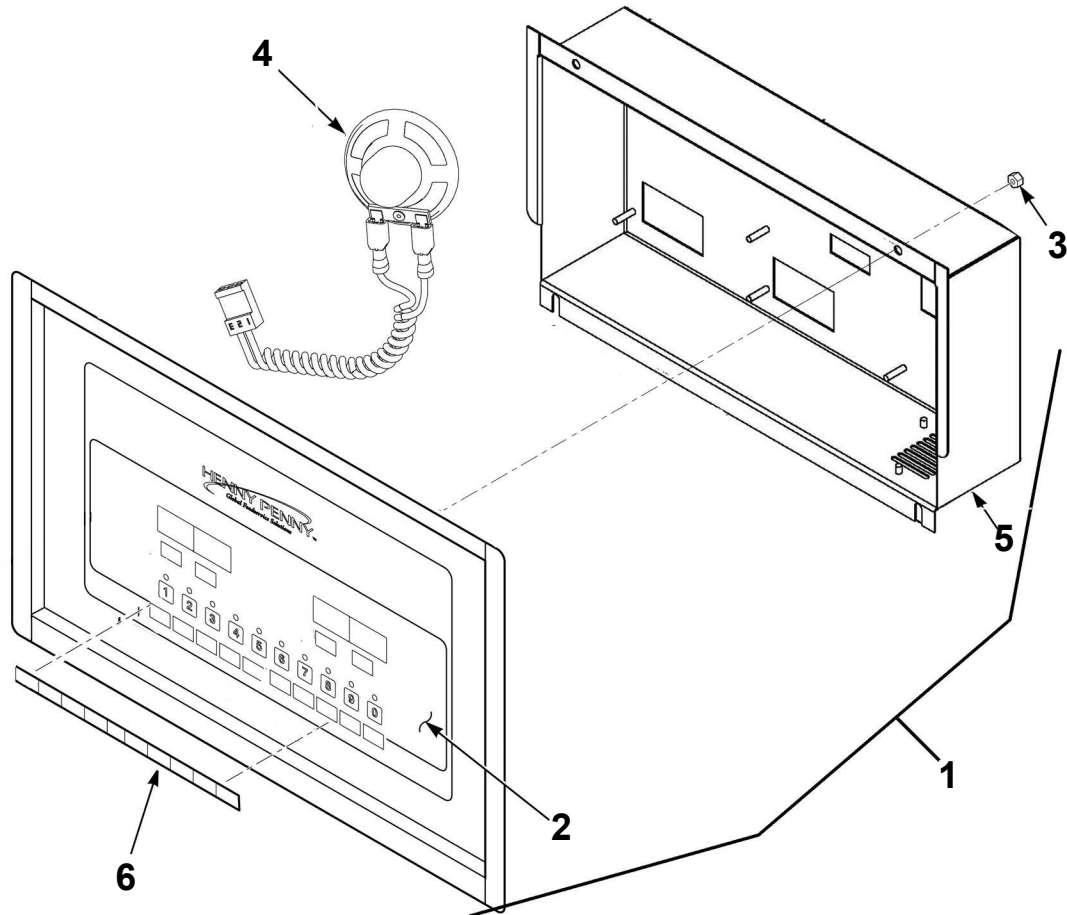
Item No.	Part No.	Description	Quantity
1	03617	ACCESSORY-JUG-AUTO TOP OFF (EMPTY).....	1
2	78992	ASSY-JIB TUBE & QUICK DISC (includes items 3 & 4).....	1
2	80490	ASSY-INT'L. JIB TUBE & QUICK DISC (includes items 3 & 4)	1
3	FP05-017	QUICK DISCONNECT - 3/8"	1
√ 4*	MS01-561	O-RING - JIB TUBE	1
√ 5	77288	ASSY - HOSE.....	1
6	77630	WELD ASSY - JIB SHELF	1

√ recommended parts

* not shown

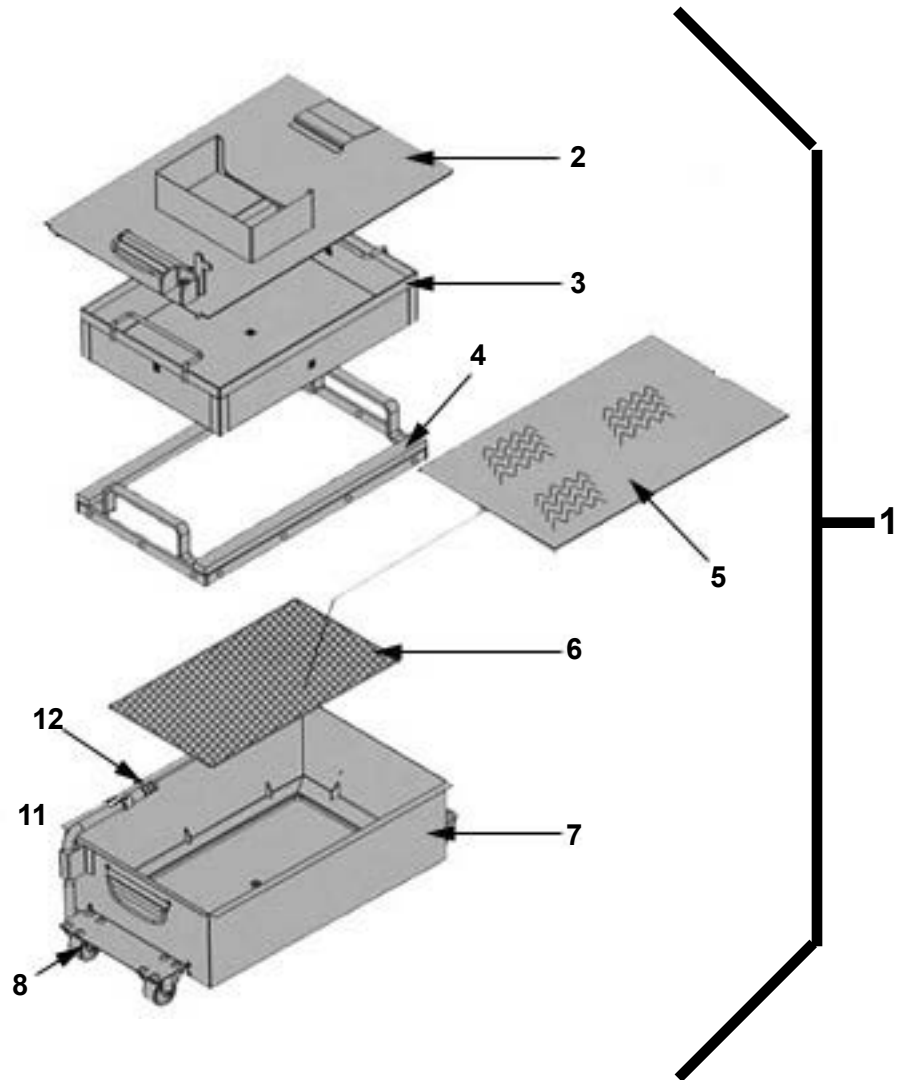


Item No.	Part No.	Description	Quantity
1	83784	COVER - REAR SHROUD - LVG-102 (Before SN: BU1006014) ..	1
1	86415	COVER - REAR SHROUD - LVG-102 (SN: BU1006014 & after)..	1
1	81223	COVER - REAR SHROUD - LVG-103 (Before SN: BU1009013) ..	1
1	86416	COVER - REAR SHROUD - LVG-103 (SN: BU1009013 & after)..	1
1	79565	COVER - REAR SHROUD - LVG-104 (Before SN: BU1005051) ..	1
1	86417	COVER - REAR SHROUD - LVG-104 (SN: BU1005051 & after)..	1
2	78306	COVER - REAR - LOWER - LVG-102.....	1
2	77665	COVER - REAR - LOWER - LVG-103.....	1
2	80197	COVER - REAR - LOWER - LVG-104.....	1



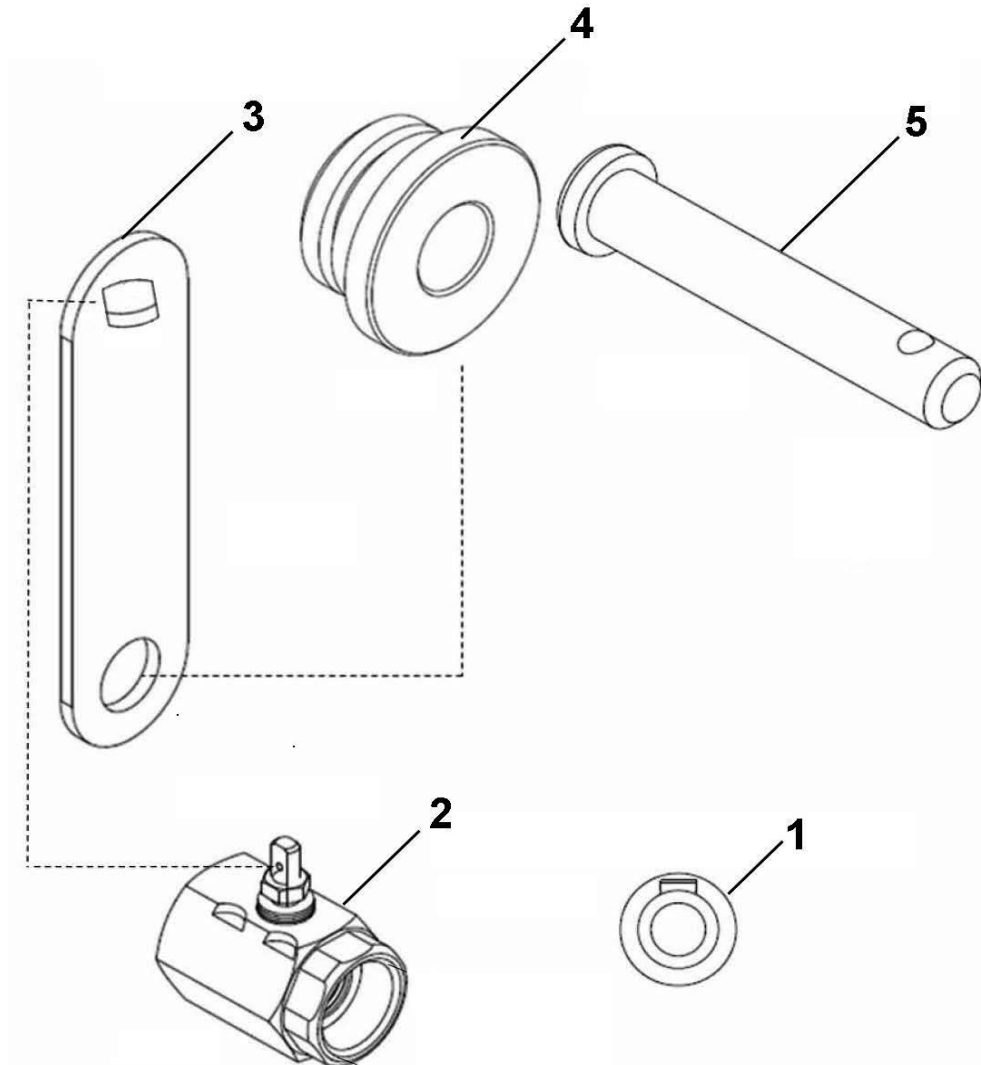
Item No.	Part No.	Description	Quantity
√ 1	76673RB	ASSY - CONTROL - LOV	3
√ 2	75660	DECAL - LOV MCD	1/control
3	NS02-005	NUT - HEX KEPS #6-32 C	23/control
√ 4	26974	ASSY - SPEAKER	1/control
5	76115	STUD ASSY - CONTROL PANEL COVER	1/control
6	77249	MENU CARD - BLANK - LOV	1/control
6	77250	MENU CARD - FVA - LOV	1/control
6	77251	MENU CARD - SPA - LOV	1/control
7*	MS01-571	TOOL - TERMINAL EXTRACTOR (not shown)	1

√ recommended parts



Item No.	Part No.	Description	Quantity
1	78456	ASSY - DRAIN PAN - LVG.....	1
2	82674	ASSY-DRAIN PAN COVER.....	1
3	76259	WELD ASSY-CRUMB CATCHER	1
4	76179	WELD ASSY-FILTER WEIGHT	1
5	03190-054	McD's FILTER KIT (not supplied by Henny Penny).....	1
		(includes fryer cleaner, 30 filter pads, & green cleaner pads)	
6	76375	FILTER-SECTION	1
7	82672	WELD ASSY-DRAIN PAN (Less Cover)	1
8	52487	CASTER - DRAIN PAN.....	4
9*	SC01-009	SCREW (1/4-20 x 1/2).....	16
10*	NS02-002	NUT, KEPS (1/4-20).....	16
11	74573	ADAPTOR - PUMP TO PICKUP TUBE.....	1
√ 12	74189	O-RING-PICKUP TUBE.....	3
√ 13	12126	BRUSH - BLACK L.....	1
√ 14	12112	BRUSH - STRAIGHT WHITE	1
√ 15	12116	BRUSH - FRYER - LONG HANDLE	1

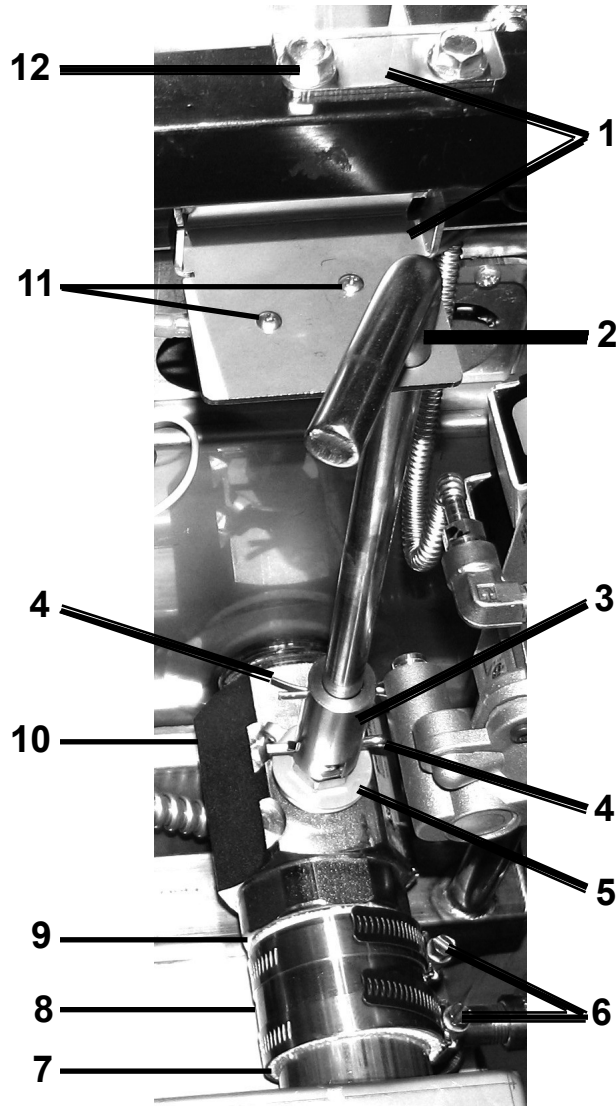
√ recommended parts * not shown



Drain Valve Linkage Parts

Item No.	Part No.	Description	Quantity
1	PN01-031	PIN - LOCKING WEDGE - 1/4 x 1-1/4.....	1/vat
2	76095	VALVE - DRAIN	1/vat
√ 3	76264	HANDLE - PIVOT - DRAIN	1/vat
4	78591	PIVOT - BUSHING - ACTUATOR	1/vat
√ 5	50776	PIN - ACTUATOR - CLEVIS	1/vat
√ 6*	76948	O-RING.....	1/vat

√ recommended parts / * not shown

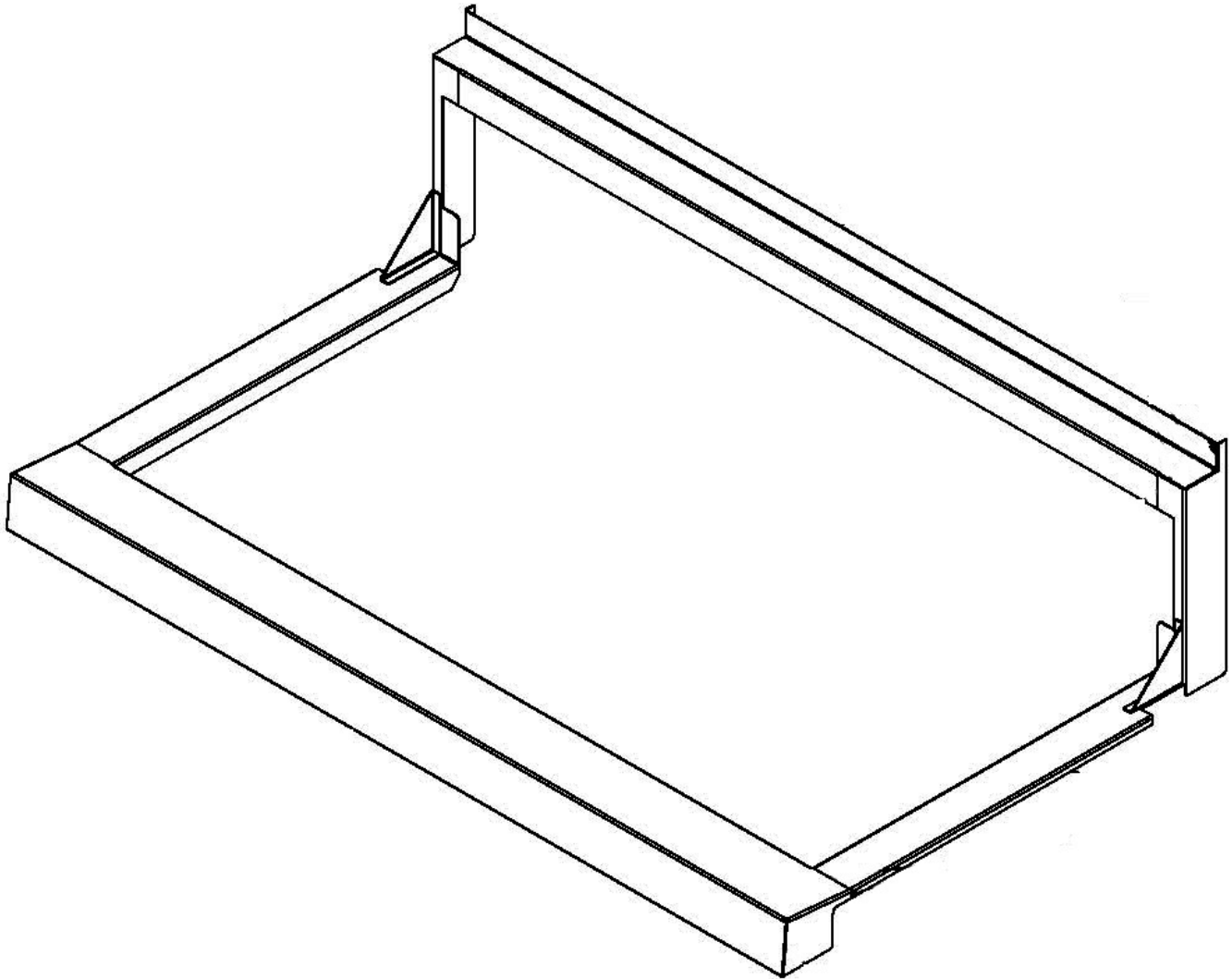


Drain Valve Parts - Fish Vat

Item No.	Part No.	Description	Quantity
1	86122	BRACKET-DR ROD & LEVER SWITCH	1/vat
2	83598	ROD- DRAIN VALVE	1/vat
3	55142	COUPLING-DRAIN VALVE.....	1/vat
√ 4	17255	PIN -COTTER	2/vat
5	74626	STOP-PIVOT DRAIN HANDLE.....	1/vat
6	MS01-307	CLAMP-HOSE	2/vat
7	72554	HOSE-MANDREL WRAPPED SILICONE.....	1/vat
8	76598	GUARD-SILICONE HOSE	1/vat
9	74553	EXTENSION-DRAIN	1/vat
10	79590	VALVE-DRAIN	1/vat
11	SC01-178	SCREW-4-40 x 3/4"	2/vat
12	SC03-010	SCREW-1/4-20 x 3/4"	2/vat
13*	83096	SWITCH-LEVER.....	1/vat
14*	NS02-009	NUT-4-40	2/vat

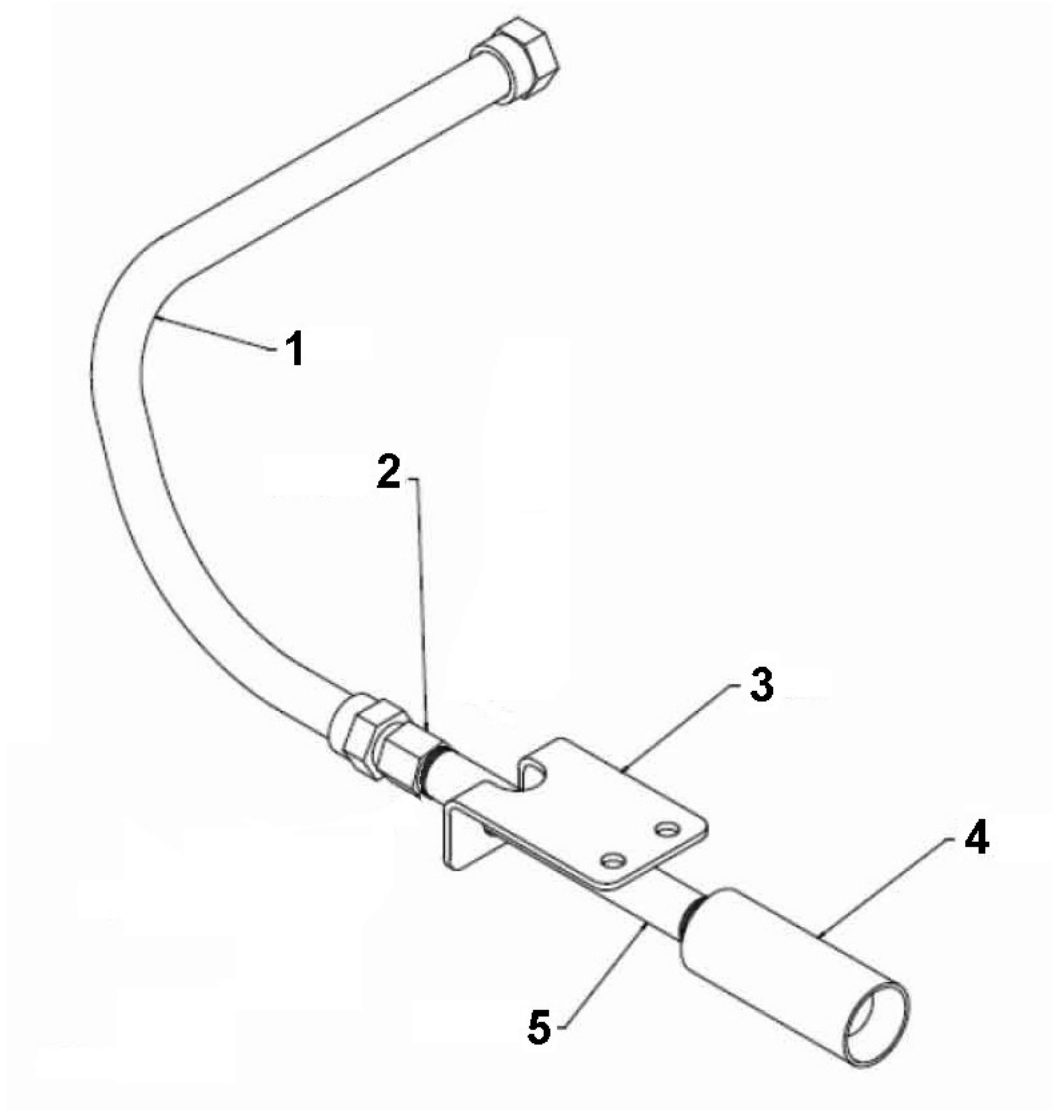
√ recommended parts

* not shown

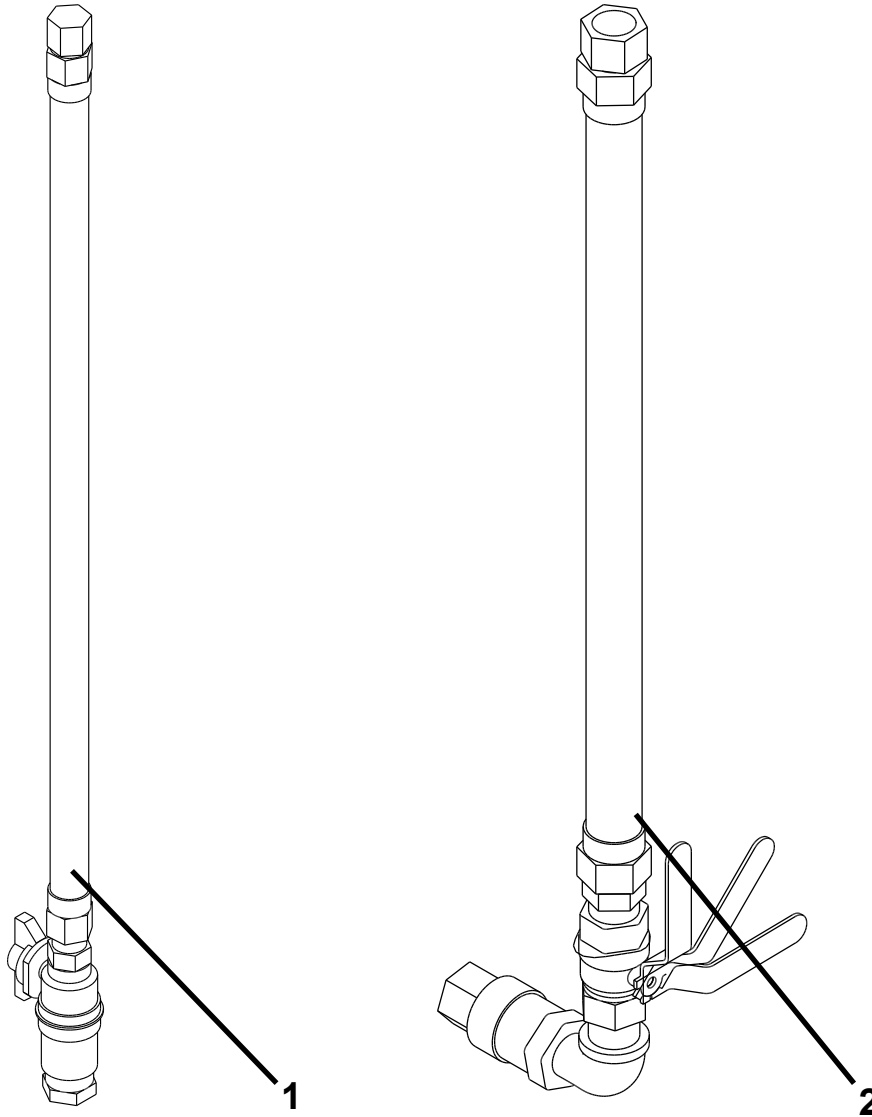


Fry Cap

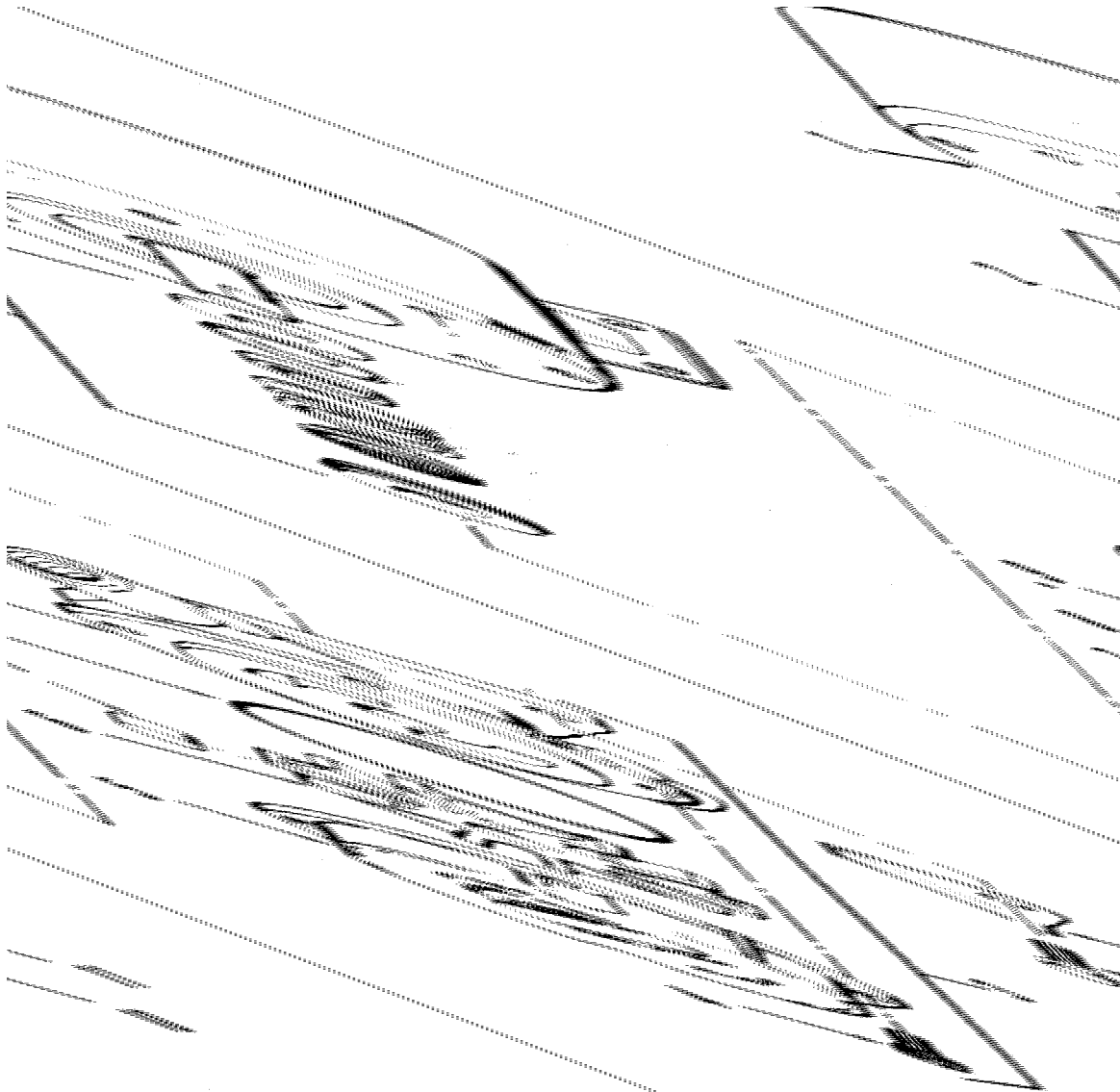
Item No.	Part No.	Description	Quantity
1	03641	ACCESSORY-FRY CAP - LVG-102.....	1
1	03642	ACCESSORY-FRY CAP - LVG-103.....	1
1	03643	ACCESSORY-FRY CAP - LVG-104.....	1



Item No.	Part No.	Description	Quantity
	78814-001	ASSY - SUCTION LINE.....	1
1	77523-002	TUBE-SUCTION 18 IN L DORMONT.....	1
2	FP01-206	CONNECTOR-3/8 NPT FEM 45 FLARE	1
3	77259	BRACKET-PLUG AND PLAY	1
4	77248	ADAPTER-TUBE END	1
5	FP01-204	NIPPLE-3/8 NPT X 6IN L BLACK.....	1



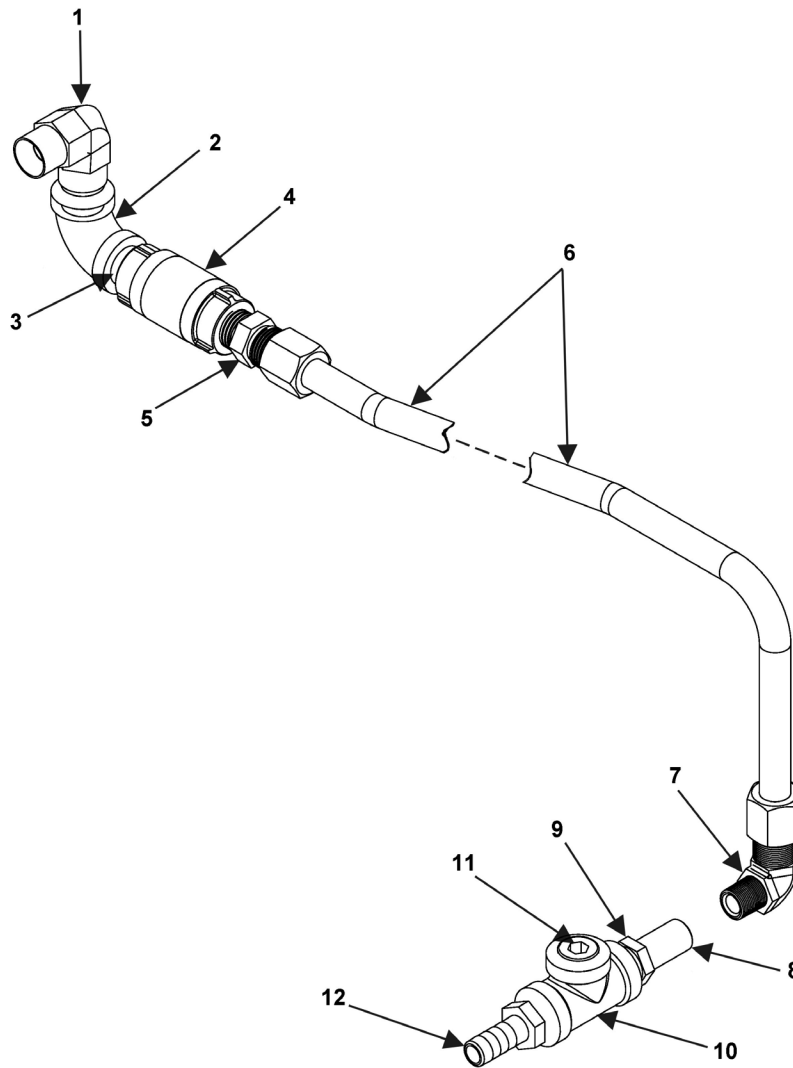
Item No.	Part No.	Description	Quantity
1	79327	FLEXIBLE GAS LINE W/SHUT-OFF VALVE - 2 -WELL-36 IN	1
2	77668-002	FLEXIBLE GAS LINE W/SHUT-OFF VALVE - 3 -WELL-72 IN	1



Filter Motor and Pump

Item No.	Part No.	Description	Quantity
√ 1	67583	MOTOR, 1/2 HP - 50/60 Hz	1
√ 2	17476	SEAL KIT	1
3	17437	PUMP ASSEMBLY	1
√ 4	SC01-132	SCREW, Pump Cover	1
√ 5	17451	COVER, Pump.....	1
√ 6	17447	ROTOR, Pump.....	1
√ 7	17446	ROLLER, Pump.....	5
√ 8	17453	O-RING.....	1
√ 9	17454	BODY, Pump	1
√ 10	17456	SHIELD, Pump.....	2
√ 11	SC01-026	SCREW, Pump Shield.....	1

√ recommended parts



Piping Assembly - Units Without RTI

Item No.	Part No.	Description	Quantity
	85571-001	ASSY-Piping, Manifold to JIB Pump - LVG-103 & 104	1
	85571-002	ASSY-Piping, Manifold to JIB Pump - LVG-102.....	1
1	FP01-118	ELBOW-5/8 TUBE-1/2 NPT FEMALE.....	1
2	FP01-090	ELBOW-1/2NPT X 90 FEMALE BI.....	1
3	35856	NIPPLE -1 1/8 SHORT HOSPITAL - LVG-103 & 104	1
3	18816	NIPPLE - 1/2 X 3 SS PIPE - LVG-102	1
4	74469	VALVE-1/2 CHECK.....	1
5	16807	FITTING CONNECTOR MALE	1
6	78095	ASSY-JIB PUMP CHECK VALVE - LVG-103 & 104	1
6	78160	ASSY-JIB PUMP CHECK VALVE SS - LVG-102.....	1
7	FP01-079	ELBOW 5/8 TUBE-3/8 NPT MALE.....	1
8	FP01-029	REDUCER 1/2NPT M-3/8NPT F SS	1
9	35475	PIPE NIPPLE 3/8 X 2.....	1
10	FP01-004	PLUG PIPE 1/2 HEX SOC SS	1
11	FP01-112	1/2 NPT FEMALE PIPE TEE BI	1
12	FP01-203	BARB-1/2 MPT 1/2 HOSE 304 SS	1