

SECTION 8. PARTS INFORMATION

8-1. INTRODUCTION

This section lists the replaceable parts of the Henny Penny Model LVG fryer.

8-2. GENUINE PARTS

Use only genuine Henny Penny parts in your fryer. Using a part of lesser quality or substitute design may result in damage to the unit or personal injury.

8-3. WHEN ORDERING PARTS

Once the parts that you want to order have been found in the parts list, write down the following information:

Item Number 2
Part Number 60241 Example:
Description High Limit

From the data plate, list the following information:

Product Number 01100
Serial Number 0001 Example:
Voltage 208

8-4. PRICES

Your distributor has a price parts list and will be glad to inform you of the cost of your parts order.

8-5. DELIVERY

Commonly replaced items are stocked by your distributor and will be sent out when your order is received. Other parts will be ordered, by your distributor, from Henny Penny Corp. Normally, these will be sent to your distributor within three working days.

8-6. WARRANTY

All replacement parts (except lamps and fuses) are warranted for 90 days against manufacturing defects and workmanship. If damage occurs during shipping, notify the carrier at once so that a claim may be properly filed. Refer to warranty in the front of this manual for other rights and limitations.

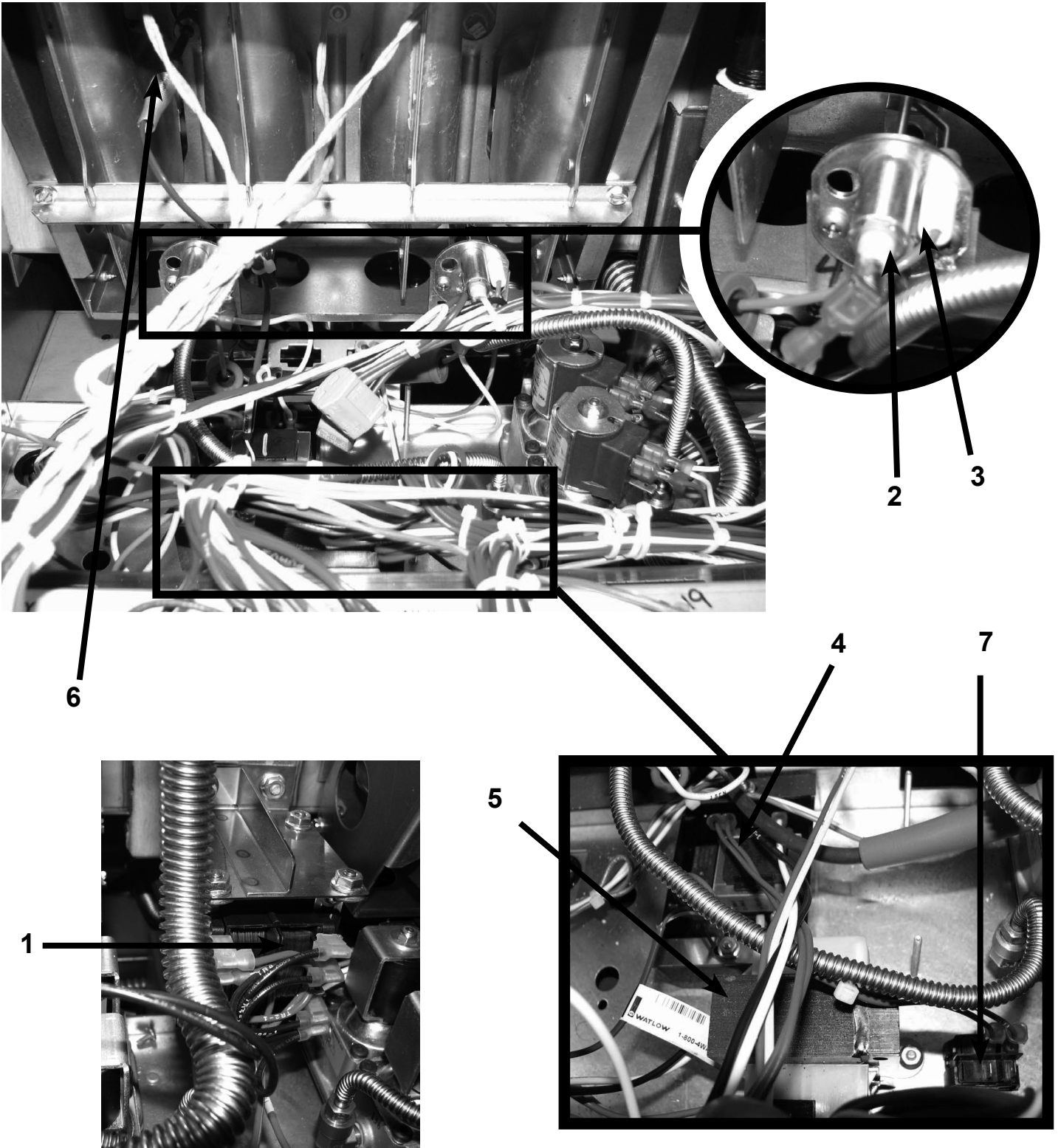
8-7. RECOMMENDED SPARE PARTS FOR DISTRIBUTORS

Recommended replacement parts are indicated with A or B in the parts lists:

A = parts to be stocked on service vans or trucks

B = parts to be stocked at the distributor/KES location.

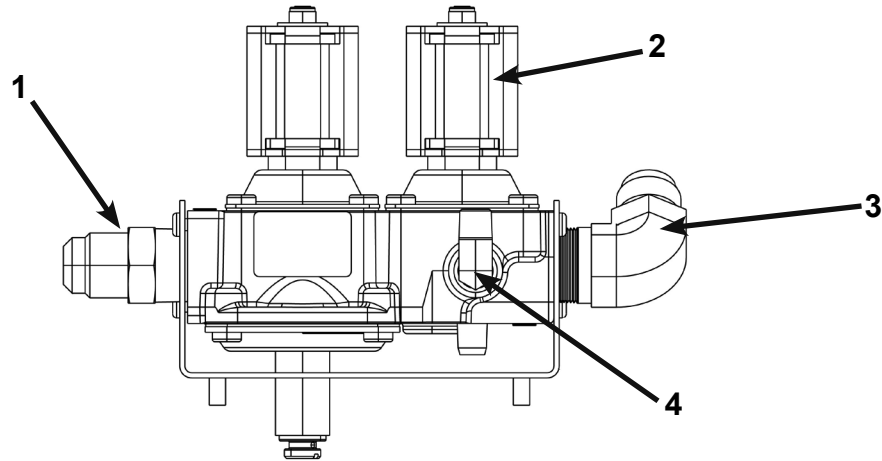
Inventory on all other parts not identified, should be based upon usage in the territory. Please use care when ordering recommended parts, because all voltages and variations are marked. Distributors should order parts based upon common voltages and equipment sold in their territory.



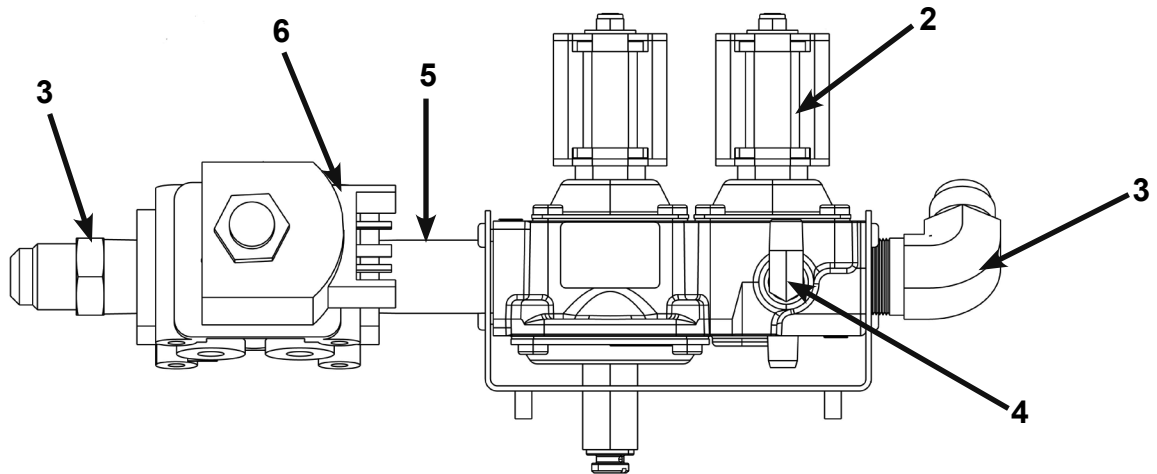
Item No.	Part No.	Description	Quantity
B 1	TS22-012	TRANSFORMER - AIF	1
A 2	76978	FLAME SENSOR.....	2/vat
A 3	75854	ASSY - SPARK IGNITOR (PILOT)	2/vat
A 4	89624-001	HIGH LIMIT CONTROL - 120V.....	1/vat
A 4	89624-002	HIGH LIMIT CONTROL - 230V.....	1/vat
A 5	84391	ASSY-75VA TRANSFORMER (120V-Pri/24v-Sec)	1/vat
A 5	84135	ASSY-75VA TRANSFORMER (240V-Pri/24v-Sec)	1/vat
A 6	92717	THERMOCOUPLE - HIGH LIMIT.....	1/vat
A 7	84987	SWITCH - MOMENTARY SPLASH PROOF.....	1/vat
A 8*	76979	ORIFICES (See chart below).....	4/vat
9*	140210	KIT- NAT TO LP S UP TO 5000 FT.....	1/vat
10*	140211	KIT- NAT TO LP F UP TO 5000 FT.....	1/vat
11*	140214	KIT- LP TO NAT S UP TO 5000 FT.....	1/vat
12*	140215	KIT- LP TO NAT F UP TO 5000 FT.....	1/vat
13*	140216	KIT- NAT TO LP S 5000-10000 FT	1/vat
14*	140217	KIT- NAT TO LP F 5000-10000 FT	1/vat
15*	140218	KIT- LP TO NAT S 5000-10000 FT	1/vat
16*	140219	KIT- LP TO NAT F 5000-10000 FT	1/vat
17*	140220	KIT- NAT TO NAT SEAT LVL TO HA.....	1/vat
18*	140221	KIT- LP TO LP SEA LVE TO HA	1/vat
19*	140222	KIT- NAT TO NAT HA TO SEA LVL.....	1/vat
20*	140223	KIT- LP TO LP HA TO SEA LVL	1/vat

PART NO.	BURNER ORIFICE DRILL SIZE (DIA.)	GAS TYPE	ALTITUDE
B 76979-001	#45 (0.082)	NATURAL	5301
76921-001	#45 (0.082)	12H, 12E	--
B 76979-002	1.30mm (0.0512)	PROPANE	ALL
76921-002	1.30mm (0.0512)	13P	ALL
76921-003	#44 (0.086)	NATURAL	5302 - 7701
76921-004	#43 (0.089)	NATURAL	7702 - 10101
76921-005	#42 (0.0935)	12S	--
76921-006	#51 (0.067)	12E+	--
76921-007	2.30mm (0.0906)	12L	--
76921-008	1.25mm (0.0492)	13B/P	--
76921-010	1.90mm (0.0768)	13A	--
76921-011	1.04mm (0.0409)	13B/P	--
76921-012	1.18mm (0.0465)	13B/P	--
76921-013	#54 (0.055)	PROPANE	--

Recommend Parts: A=Truck Stock/B=Dist. Stock / *not shown



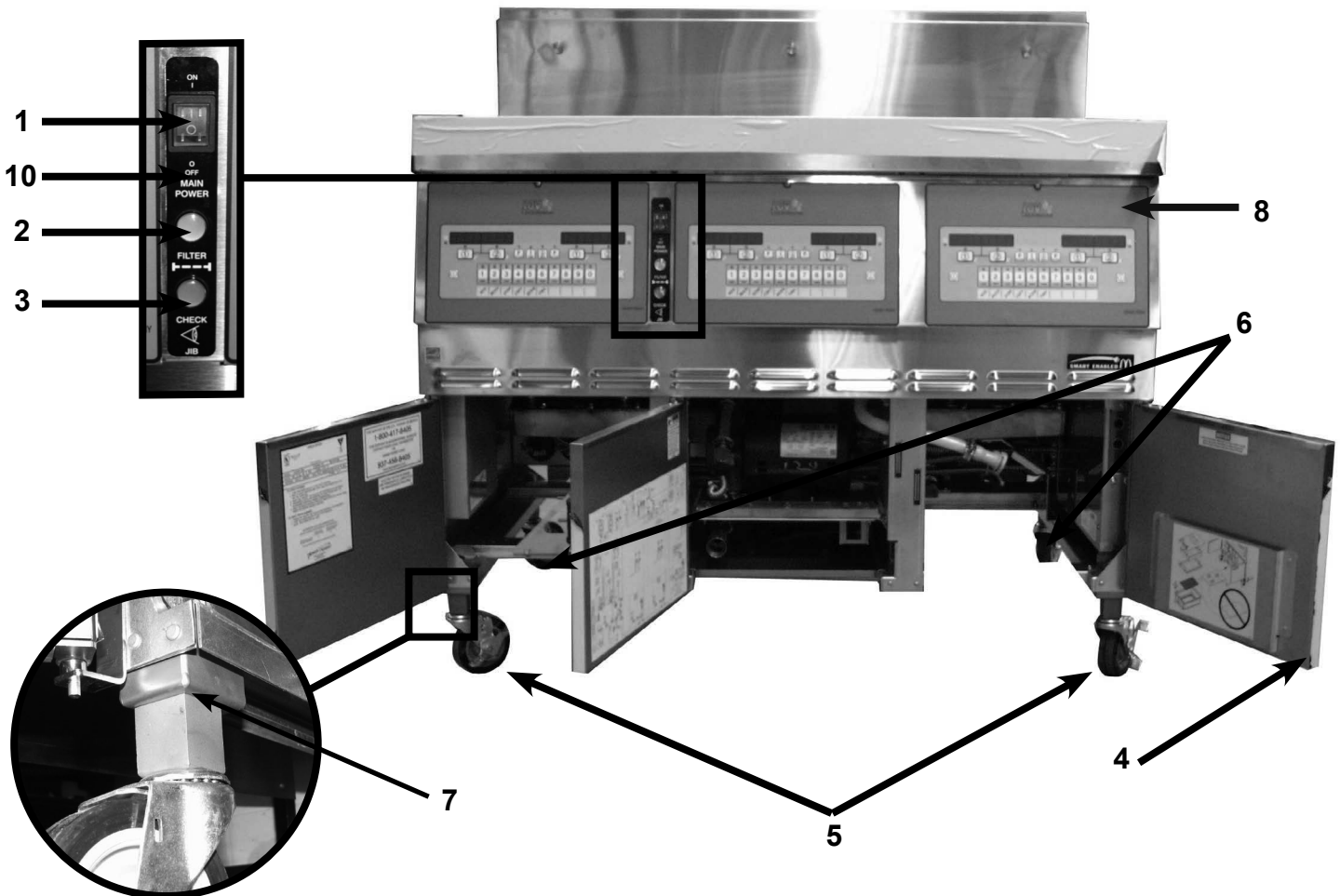
NON-CE GAS VALVE ASSEMBLY



CE GAS VALVE ASSEMBLY

Item No.	Part No.	Description	Quantity (per assy)
1	FP01-242	FITTING - 1/2 NPT M to 45 FLARE M	1
A 2	87648-001	VALVE - GAS CONTROL - NAT - FULL.....	1/vat
A 2	87648-002	VALVE - GAS CONTROL - NAT - SPLIT.....	1/vat
A 2	87648-003	VALVE - GAS CONTROL - LP - FULL.....	1/vat
A 2	87648-004	VALVE - GAS CONTROL - LP - SPLIT.....	1/vat
3	FP01-205	ELBOW - 1/2 IN NPT MALE 45 FLARE	1
4	FP05-004	ELBOW - 1/4 TUBE TO 1/8 PIPE Z.....	2-full/1-split
5	FP02-012	NIPPLE - 1/2 X 2 - 304 SS.....	1
A 6	34802	VALVE - SOLENOID GAS - 24V - 50/60 HZ.....	2

Recommend Parts: A=Truck Stock/B=Dist. Stock / *not shown



Item No.	Part No.	Description	Quantity
A 1	52224	SWITCH - POWER.....	1
B 2	75860	LIGHT - INDICATOR - BLUE.....	1
B 3	75859	LIGHT - INDICATOR - YELLOW.....	1
4	-----	ASSY-DOOR.....	See chart on next page
5	77575	CASTER- 4" W/BRAKE.....	2
6	77679	CASTER- 4" W/O BRAKE.....	2
7	83937	SUPPORT-CASTER MTG 202.....	4
B 7	83933	SUPPORT- CASTER MTG 203-204.....	4
8	-----	ASSY- CONTROL BOARD.....	see page 8-7
9*	03647	COVER - SPLIT VAT.....	1/vat
10	77103	DECAL-FLTR/CK JIB/MAIN POWER.....	1
11*	03646	COVER - FULL VAT.....	1/vat
12*	77842	HANGER-BASKET - LVG-102.....	1
12*	77709	HANGER-BASKET - LVG-103.....	1
12*	77934	HANGER-BASKET - LVG-104.....	1
A 13*	60818	RELAY - 24VAC COIL (Full Vat Fryers Only).....	1/vat
14*	140071	TETHER KIT-GAS FRYER.....	1

Recommend Parts: A=Truck Stock/B=Dist. Stock / *not shown

83774 LH Door Assy without Holder	86382 RH Door Assy with Holder
--	---

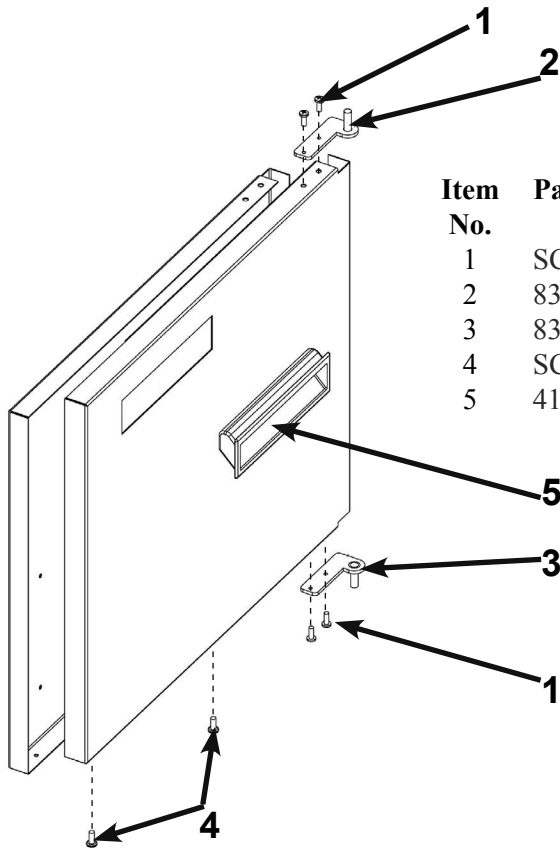
Model LVG-202

83774 LH Door Assy without Holder	83774 LH Door Assy without Holder	86382 RH Door Assy with Holder
--	--	---

Model LVG-203

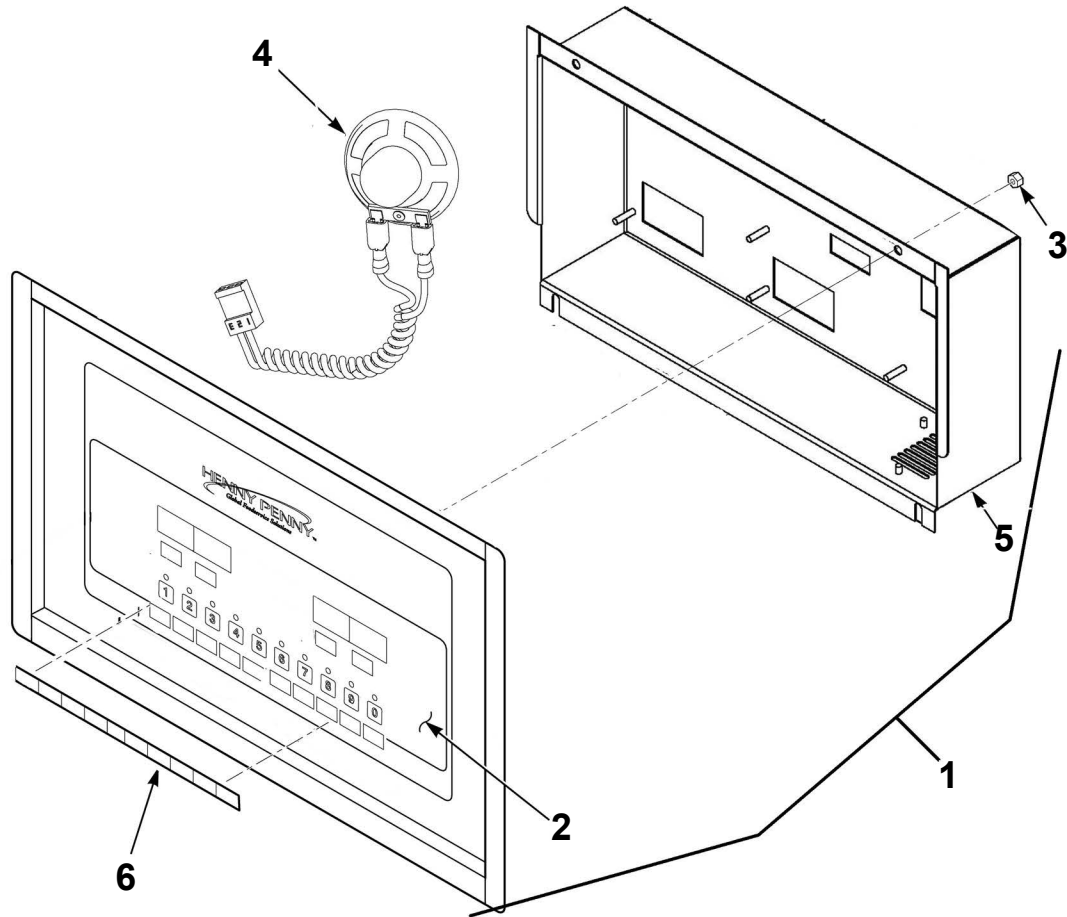
87432 LH Door Assy without Holder	83774 LH Door Assy without Holder	83774 RH Door Assy- without Holder	86382 RH Door Assy with Holder
--	--	---	---

Model LVG-204



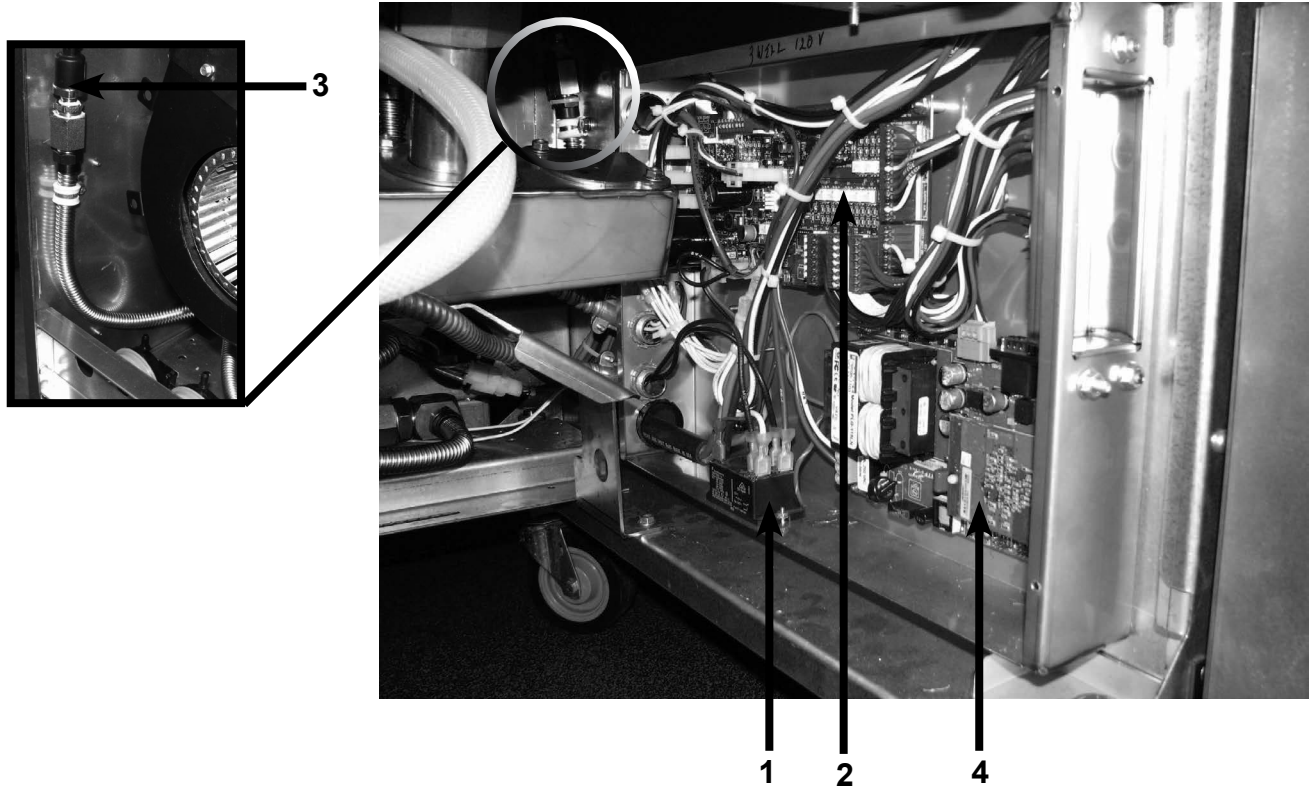
Item No.	Part No.	Description	Quantity
1	SC04-001	SCREW - #6-32 X 3/8 PH TYPE F C	4
2	83904	STUD ASSY - DOOR HINGE-RH	1
3	83903	STUD ASSY - DOOR HINGE-LH	1
4	SC04-003	SCREW - #8-32 X 3/8 PH HPD S.....	2
5	41836	HANDLE - DOOR	1

Recommend Parts: A=Truck Stock/B=Dist. Stock / *not shown



Item No.	Part No.	Description	Quantity
B 1	83515RB	ASSY - CONTROL - LOV	3
2	85378	DECAL - LOV MCD	1/control
3	NS02-005	NUT - HEX KEPS #6-32 C	23/control
B 4	26974	ASSY - SPEAKER	1/control
5	83498	STUD ASSY - CONTROL PANEL COVER	1/control
6	77249	MENU CARD - BLANK - LOV	1/control
6	77250	MENU CARD - FVA - LOV	1/control
6	77251	MENU CARD - SPA - LOV	1/control
A 7*	MS01-571	TOOL - TERMINAL EXTRACTOR (not shown)	1
8	14130	KIT- LVE/LVG-MMC COMM.....	1

Recommend Parts: A=Truck Stock/B=Dist. Stock / *not shown



Item No.	Part No.	Description	Quantity
B 1	ME90-008	RELAY - PUMP MOTOR - 12 VDC - 30 AMP	1
B 2	85698RB	PC BOARD - AIF	1
B 3	79213	TRANSDUCER-PRESSURE 30 PSI	1
4	79596-XXXX	GATEWAY PC BOARD (See chart below).....	1
B 6*	82914	ASSY-EMC FILTER BOARD - CE	1
B 7*		BLOCK -TERMINAL POWER - CE.....	1

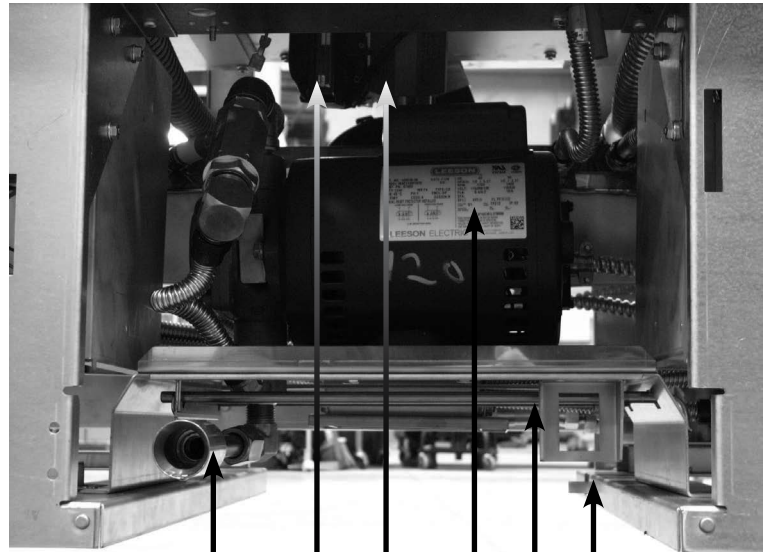
Part No.	Voltage	Coupling	Transceiver Type	Model
79596-1202	115	LN	NON-CENELEC	LVG-102
79596-1203	115	LN	NON-CENELEC	LVG-103
79596-1204	115	LN	NON-CENELEC	LVG-104
79596-2202	230	LN	NON-CENELEC	LVG-102
79596-2203	230	LN	NON-CENELEC	LVG-103
79596-2204	230	LN	NON-CENELEC	LVG-104
79596-2212	230	LN	CENELEC	LVG-102
79596-2213	230	LN	CENELEC	LVG-103
79596-2214	230	LN	CENELEC	LVG-104

Recommend Parts: A=Truck Stock/B=Dist. Stock / *not shown



Located behind motor

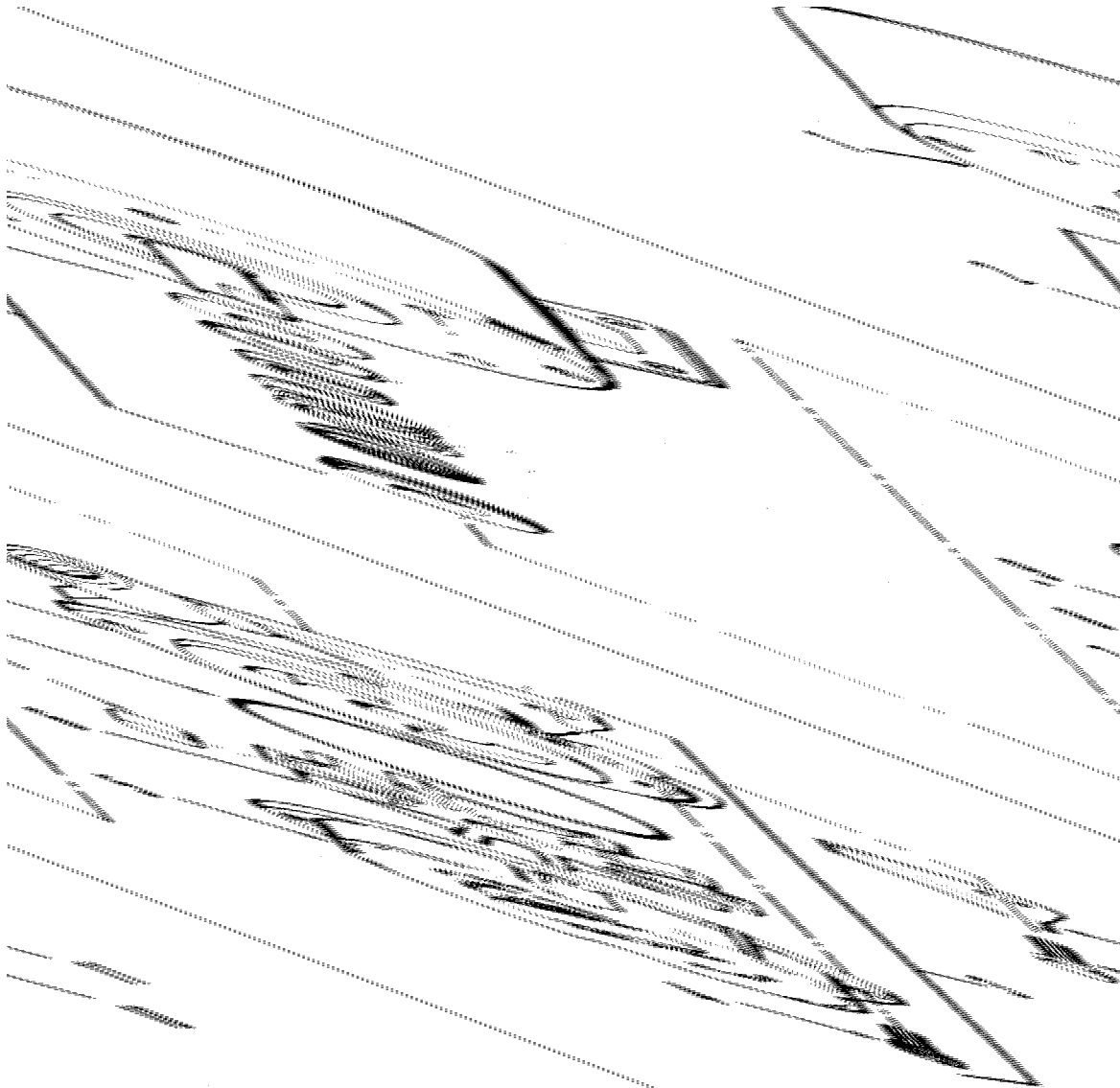
1



3 6 5 2 7 4

Item No.	Part No.	Description	Quantity
B 1	73473	PUMP - OIL TOP OFF - 120V	1
B 1	74583	PUMP - OIL TOP OFF - 230V	1
A 2	67583	MOTOR, 1/2 HP- 50/60 Hz.....	1
		see next page for parts break down	
3	83429	ADAPTER- TUBE END	1
A 4	87511	SWITCH- DRAIN PAN.....	1
B 5	140244	KIT- DRAIN VALVE W/O MODULE.....	AR
B 6	86157	MOTOR-ACTUATOR.....	AR
7	151486	ROD-FILTER PUMP BRACKET	2
8*	PN01-034	COTTER-PIN HAIR PIN	2
B 9*	90506-002	VALVE- CHECK SAE 12 35 PSI.....	1
B 10*	76948	O-RING (located in drain tube in trough).....	1/vat
B 11*	80728	FILTER- EMI (230V units only)	1
12*	151686-001	HOSE-OIL DISPOSAL	1
13*	140272	KIT-LVG200 PUMP PRIME	1

Recommend Parts: A=Truck Stock/B=Dist. Stock / *not shown



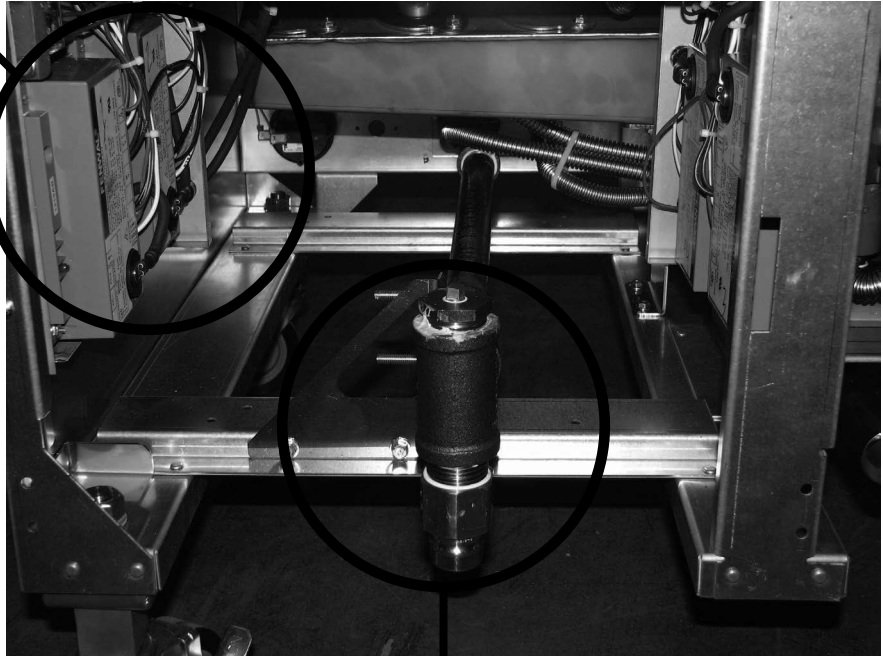
Filter Motor and Pump

Item No.	Part No.	Description	Quantity
A 1	67583	MOTOR, 1/2 HP - 50/60 Hz	1
A 2	17476	SEAL KIT	1
B 3	17437	PUMP ASSEMBLY	1
4	SC01-132	SCREW, Pump Cover	1
5	17451	COVER, Pump.....	1
B 6	17447	ROTOR, Pump.....	1
A 7	17446	ROLLER, Pump.....	5
A 8	17453	O-RING.....	1
9	17454	BODY, Pump	1
10	17456	SHIELD, Pump	2
11	SC01-026	SCREW, Pump Shield.....	1

Recommend Parts: A=Truck Stock/B=Dist. Stock / *not shown



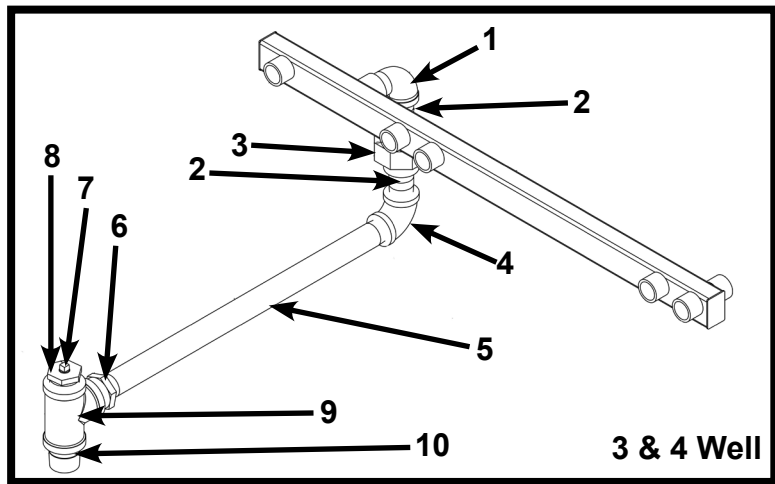
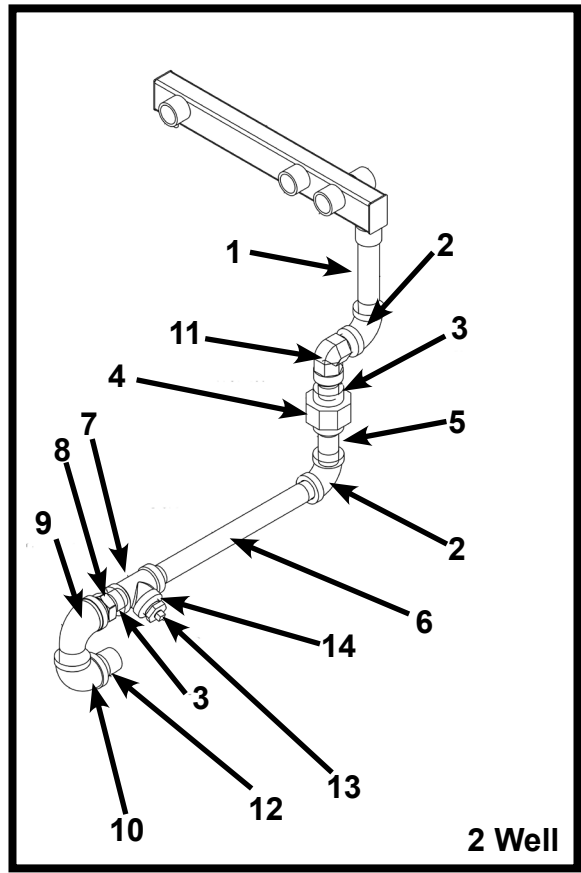
1



See Next page for parts

Item No.	Part No.	Description	Quantity
A 1	77839	MODULE- IGNITION NON CE	2/ WELL
A 1	77602	MODULE- IGNITION CE	2/ WELL

Recommend Parts: A=Truck Stock/B=Dist. Stock / *not shown



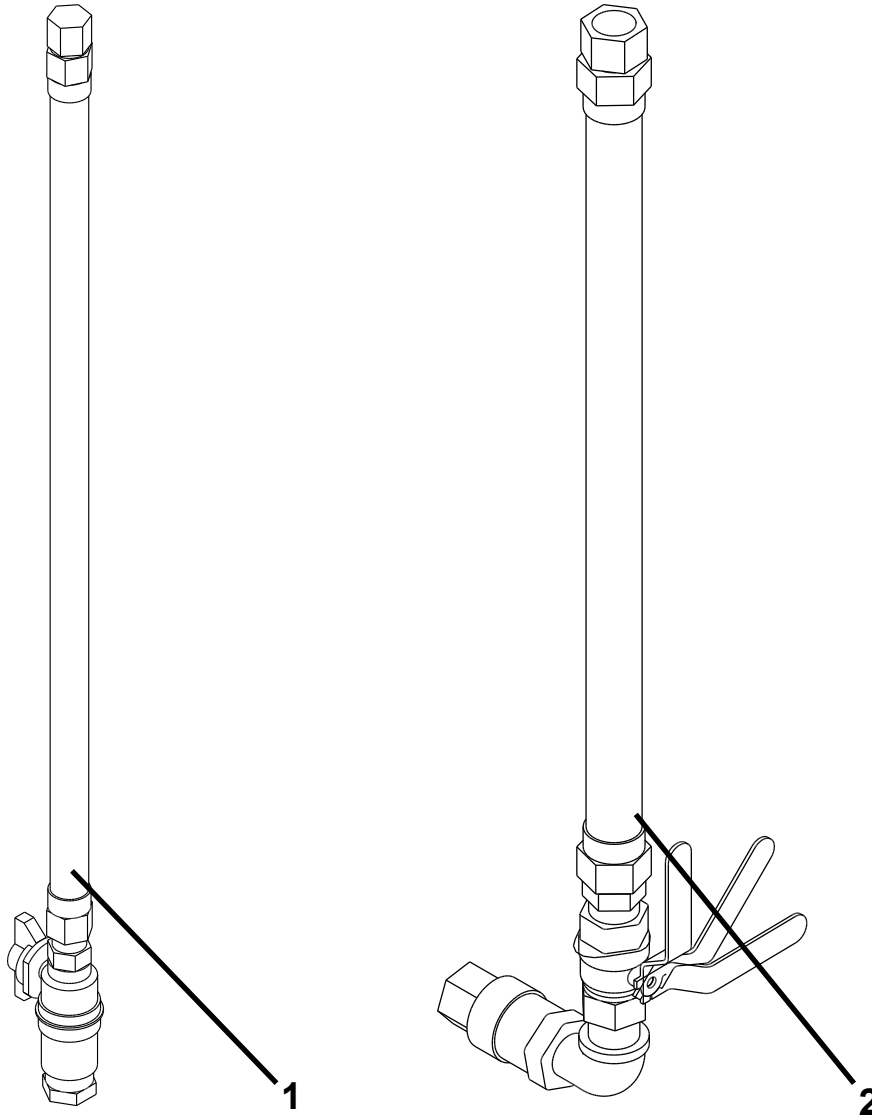
2 WELL

Item No.	Part No.	Description	Quantity
1	FP02-047	NIPPLE- 1/2 X 4 1/2 LONG	1
2	FP01-090	ELBOW-1/2 X 90 FEMALE	2
3	FP01-023	NIPPLE- 1/2 INCH CLOSE	2
4	FP01-150	UNION- 1/2 THREADED.....	1
5	FP01-018	1/2 STR PIPE COUPLING.....	1
6	FP02-071	FITTING- 1/2 BARB-F 1/2 NPT BRASS.....	1
7	FP01-112	1/2 NPT FEMAL PIPE TEE.....	1
8	FP01-078	REDUCER 3/4 MALE TO 1/2 FEMALE	1
9	FP01-100	ELBOW-STREET 3/4 NPT	1
10	FP01-098	ELBOW- 3/4 NPT X 90 FEMALE.....	1
11	16239	ELBOW STREET 90 DEGREE	1
12	16282	NIPPLE 3/4 X CLOSE	1
13	FP01-220	1/8 PIPE PLUG.....	1
14	FP01-215	REDUCING BUSHING- 1/2-1/8	1

3 & 4 WELLS

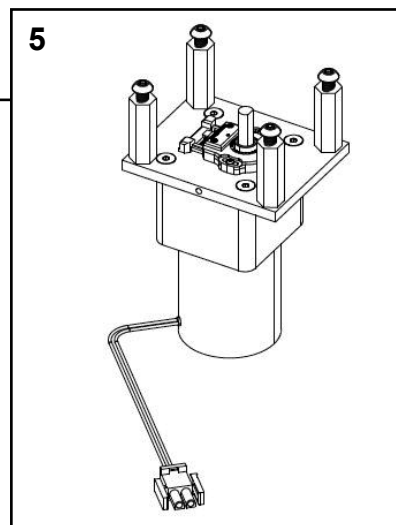
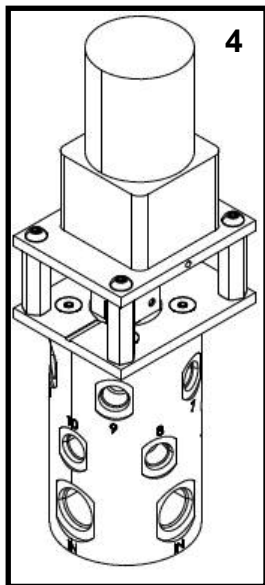
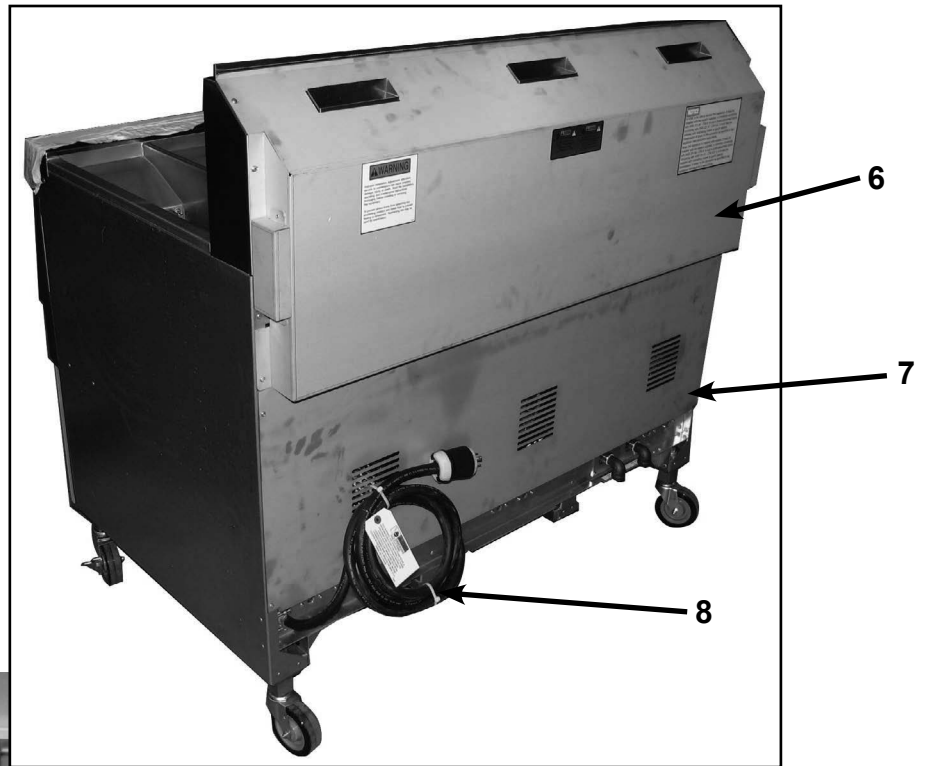
Item No.	Part No.	Description	Quantity
1	FP01-100	ELBOW- 3/4 NPT	1
2	FP02-044	NIPPLE- 3/4 X 2 LG	2
3	FP01-141	UNION- 3/4 3000LB	1
4	FP01-098	ELBOW- 3/4 NPT X 90 FEMALE.....	1
5	FP02-032	NIPPLE- 3/4" NPT X 17 IN LONG	1
6	FP01-227	REDUCER 1" MALE TO 3/4" FEMALE.....	1
7	FP01-220	1/8 PIPE PLUG.....	1
8	FP01-214	REDUCING BUSHING- 1 INCH 1/8.....	1
9	FP01-086	TEE-1IN NPT FEMALE PIPE.....	1
10	FP01-083	NIPPLE- 1IN NPT CLOSE BLACK.....	1

Recommend Parts: A=Truck Stock/B=Dist. Stock / *not shown



Item No.	Part No.	Description	Quantity
1	79327	FLEXIBLE GAS LINE W/SHUT-OFF VALVE - 2 -WELL-36 IN	1
2	77668-002	FLEXIBLE GAS LINE W/SHUT-OFF VALVE - 3 -WELL-72 IN	1

Recommend Parts: A=Truck Stock/B=Dist. Stock / *not shown



Item No.	Part No.	Description	Quantity
A 1	77992	SWITCH - PRESSURE - 0.80 (behind covers).....	1/vat
B 2	92963-001	MOTOR - BLOWER - 115V.....	1/ control board
B 2	92963-002	MOTOR - BLOWER - 230V.....	1/ control board
3	79443-X	TUBE - PRESSURE SWITCH (see chart below).....	AR
4	89405	SELECTOR VALVE.....	1
5	92627	ASSY-SEL VAL MOTOR ENCODER	1
		(Flex hose chart on next page)	
6	89445	COVER-REAR SHROUD LVG-202	1
6	86568	COVER-REAR SHROUD LVG-203	1
6	87558	COVER-REAR SHROUD LVG-204	1
7	89901	COVER- LOWER REAR LVG-202	1
7	86567	COVER- LOWER REAR LVG-203	1
7	87557	COVER- LOWER REAR LVG-204	1
8	79363	ASSY-CE CONT CORD & PLUG 230V.....	1
8	73517	ASSY- 120V POWER CORD	1
9*	82139	BAR-REAR SPACER-LVG-102.....	1
9*	80219	BAR-REAR SPACER-LVG-103.....	1
9*	83792	BAR-REAR SPACER-LVG-104.....	1

PART NO.	“A”
79443-1	2.5”
79443-2	13”
79443-3	19”
79443-4	16”
79443-5	26”
79443-6	14”
79443-7	17”
79443-8	22”
79443-9	32”
79443-10	38”
79443-11	5.5”
79443-12	11”
79443-13	15”

Recommend Parts: A=Truck Stock/B=Dist. Stock / *not shown

SELECTOR VALVE
FLEX HOSES LENGTH/ PART
NUMBER

LVG-202				
Selector Valve Port	FF	SD SR SS	FD FR FS	SF
1	Plug	24"	Plug	30"
2	18"	18"	18"	24"
3	Plug	18"	18"	Plug
4	18"	18"	18"	18"
5	Plug	Plug	Plug	Plug
6	Plug	Plug	Plug	Plug
7	Plug	Plug	Plug	Plug
8	Plug	Plug	Plug	Plug
9 (JIB)	From JIB pump on line			
10 (RTI-Discard oil)	24"	24"	24"	24"
New Oil (RTI)	24"	24"	18"	18"
New Oil (From JIB)	From JIB pump on line			

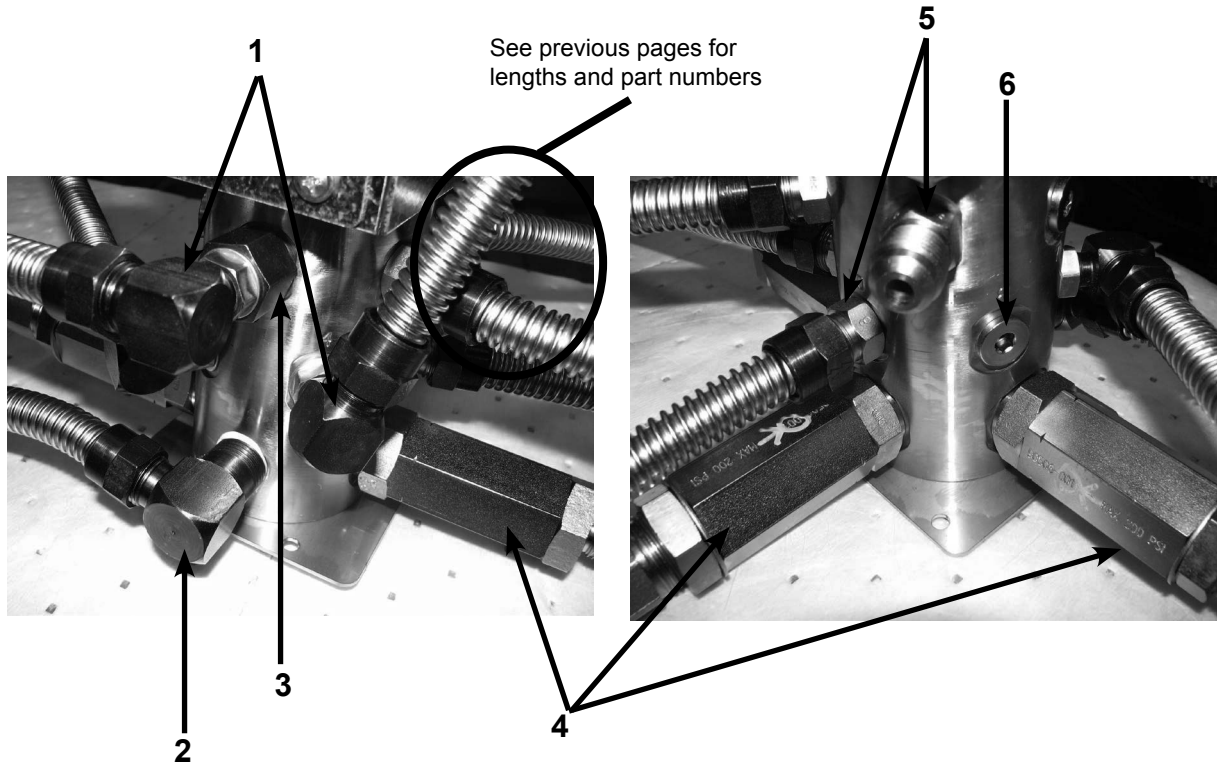
LVG-203						
Selector Valve Port	FFF	SSD SSR SSS	FSD FSR FSS	FFD FFR FFS	SSF	SFF
1	Plug	36"	Plug	Plug	36"	36"
2	36"	30"	30"	30"	30"	30"
3	Plug	24"	24"	Plug	24"	Plug
4	18"	18"	18"	18"	18"	18"
5	Plug	18"	18"	18"	Plug	Plug
6	18"	18"	18"	18"	18"	18"
7	Plug	Plug	Plug	Plug	Plug	Plug
8	Plug	Plug	Plug	Plug	Plug	Plug
9	From JIB pump on line					
10 (RTI-Discard oil)	36"	36"	36"	36"	36"	36"
New Oil (RTI)	30"	30"	30"	30"	30"	30"
New Oil (From JIB)	From JIB pump on line					

LVG flex hose lengths and part numbers listed on next page

SELECTOR VALVE
FLEX HOSES LENGTH/ PART
NUMBER (CONTINUED)

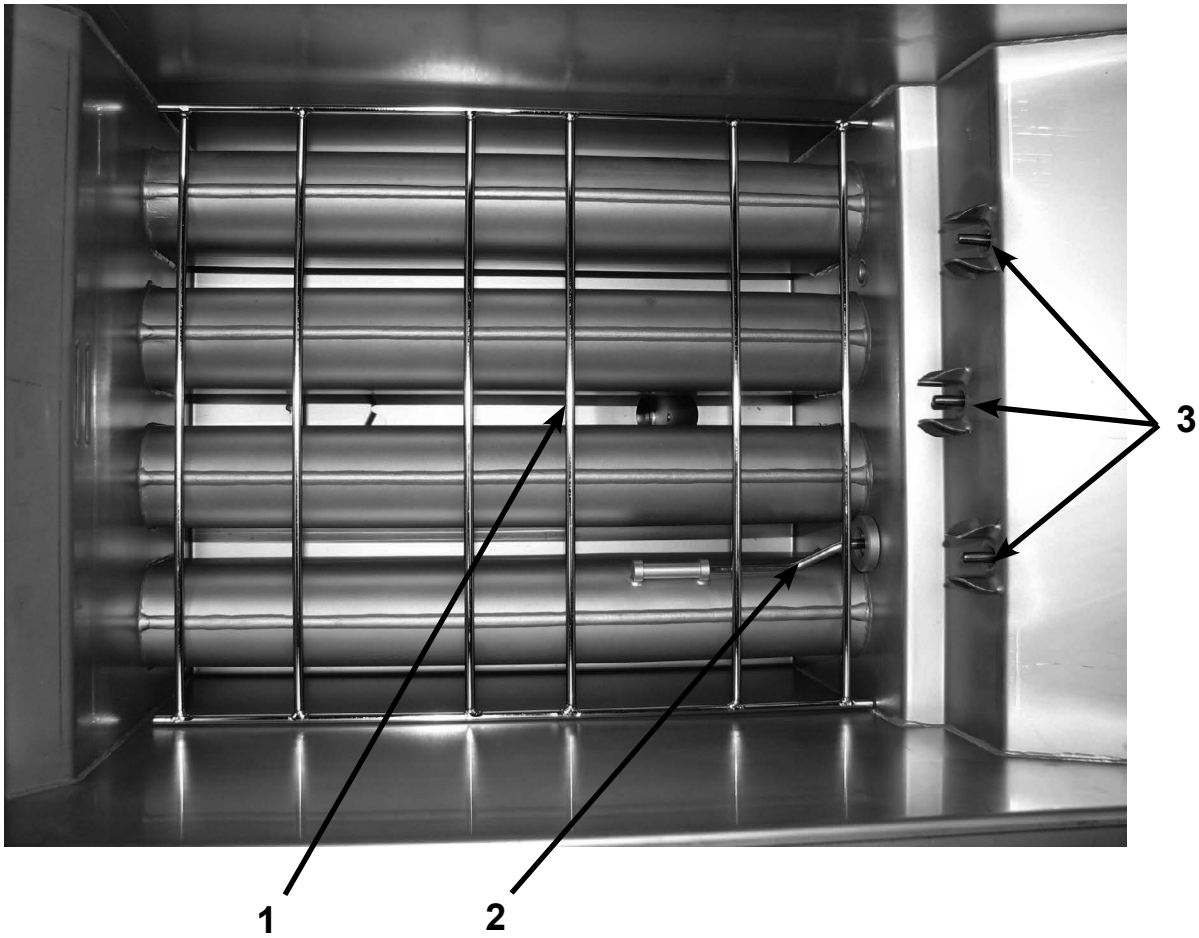
LVG-204								
Selector Valve Port	FFFF	SSSD SSSR SSSS	FSSD FSSR FSSS	FFSD FFSSR FFSS	FFFD FFFR FFFS	SSSF	SSFF	SFFF
1	Plug	54"	Plug	Plug	Plug	54"	54"	54"
2	48"	48"	48"	48"	48	42"	42"	48"
3	Plug	36"	36"	Plug	Plug	36"	36"	Plug
4	30"	30"	30"	30"	30"	30"	30"	30"
5	Plug	24"	24"	24"	Plug	24"	Plug	Plug
6	24"	24"	24"	24"	24"	24"	24"	24"
7	Plug	18"	18"	18"	18"	Plug	Plug	Plug
8	18"	18"	18"	18"	18"	18"	18"	18"
9 (JIB)	From JIB pump on line							
10 (RTI- Discard Oil)	54"	54"	54"	54"	54"	54"	54"	54"
New Oil (RTI)	42"	42"	42"	42"	42"	42"	42"	42"
New Oil (From JIB)	From JIB pump on line							

LVG Flex Hose Lengths/ Part Number	
12" 77523-001	18" 77523-006
24" 77523-003	30" 77523-004
36" 77523-005	42" 77523-006
48" 77523-007	54" 77523-010



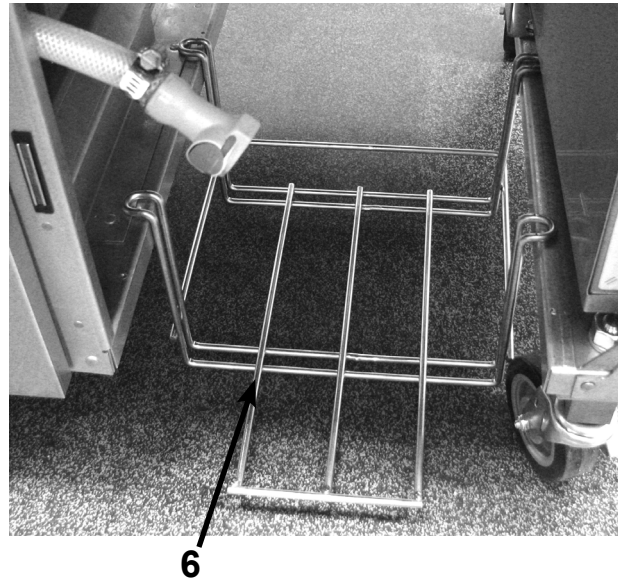
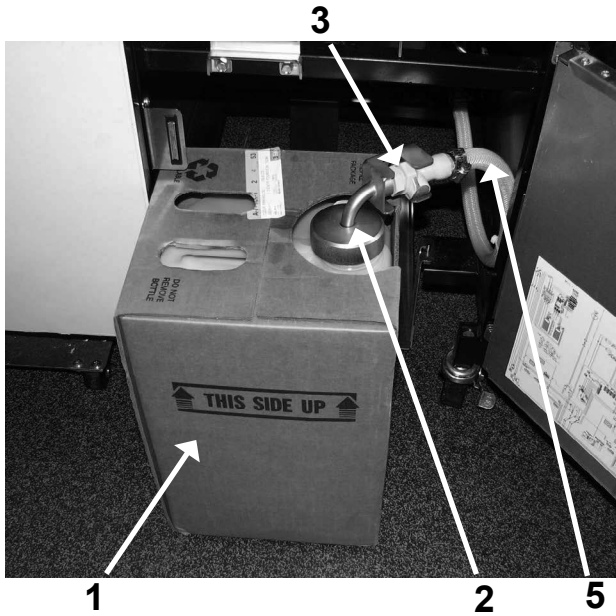
Item No.	Part No.	Description	Quantity
1	FP01-235	FTG-SAE ELBOW 45 DEG FLARE.....	A/R
2	FP01-205	ELBOW- 1/2 IN NPT MALE 45 FLARE	A/R
3	FP01-277	CONNECTOR-6 SAE M 6 SAE F.....	A/R
B 4	90506-001	VALVE- CHECK SAE 12 3 PSI	A/R
B 4	152165	ASSY-CHK VALVE PLUMBING (SN: BU1204119 & After)	1
	152161	-- ASSY- OIL MANF CHK VALVE.....	A/R
5	FP01-236	FTG-SAE STR 45 DEG FLARE.....	A/R
6	FP01-237	FTG- SAE PLUG	A/R

Recommend Parts: A=Truck Stock/B=Dist. Stock / *not shown



Item No.	Part No.	Description	Quantity
B 1	76980	RACK - SPLIT VAT	1/vat
B 1	76982	RACK - FULL VAT	1/vat
A 2	92717	THERMOCOUPLE - HIGH LIMIT.....	1/vat
B 3	140098	KIT- ASSY 2.5 INCH PROBE/ CAUGE	A/R

Recommend Parts: A=Truck Stock/B=Dist. Stock / *not shown

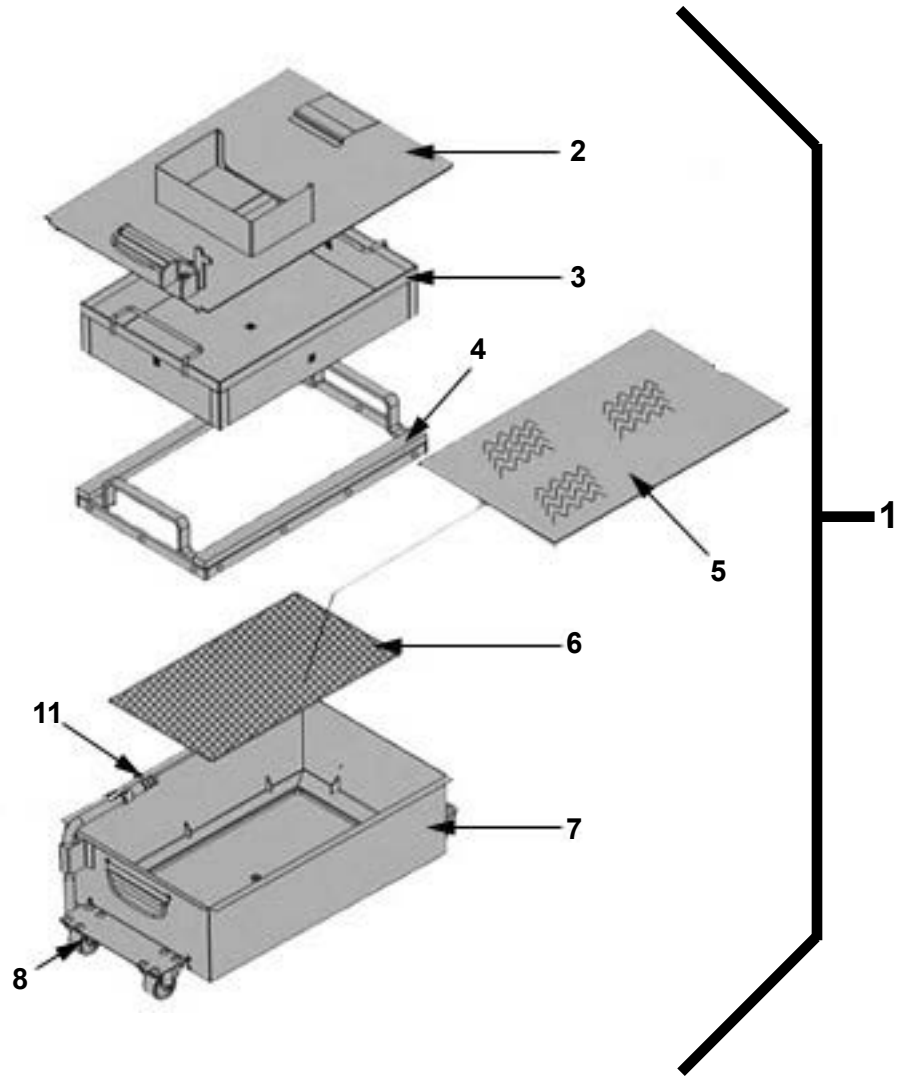


Item No.	Part No.	Description	Quantity
1	03617	ACCESSORY-JUG-AUTO TOP OFF (EMPTY).....	1
B 2	85738	ASSY-JIB TUBE & QUICK DISC (includes items 3 & 4).....	1
B 2	85737	ASSY-INT'L. JIB TUBE & QUICK DISC (includes items 3 & 4)	1
B 3	FP05-017	QUICK DISCONNECT - 3/8"	1
A 4*	MS01-561	O-RING - JIB TUBE	1
B 5	77288	ASSY - HOSE.....	1
6	83539	SHELF-JIB	1

Recommend Parts: A=Truck Stock/B=Dist. Stock

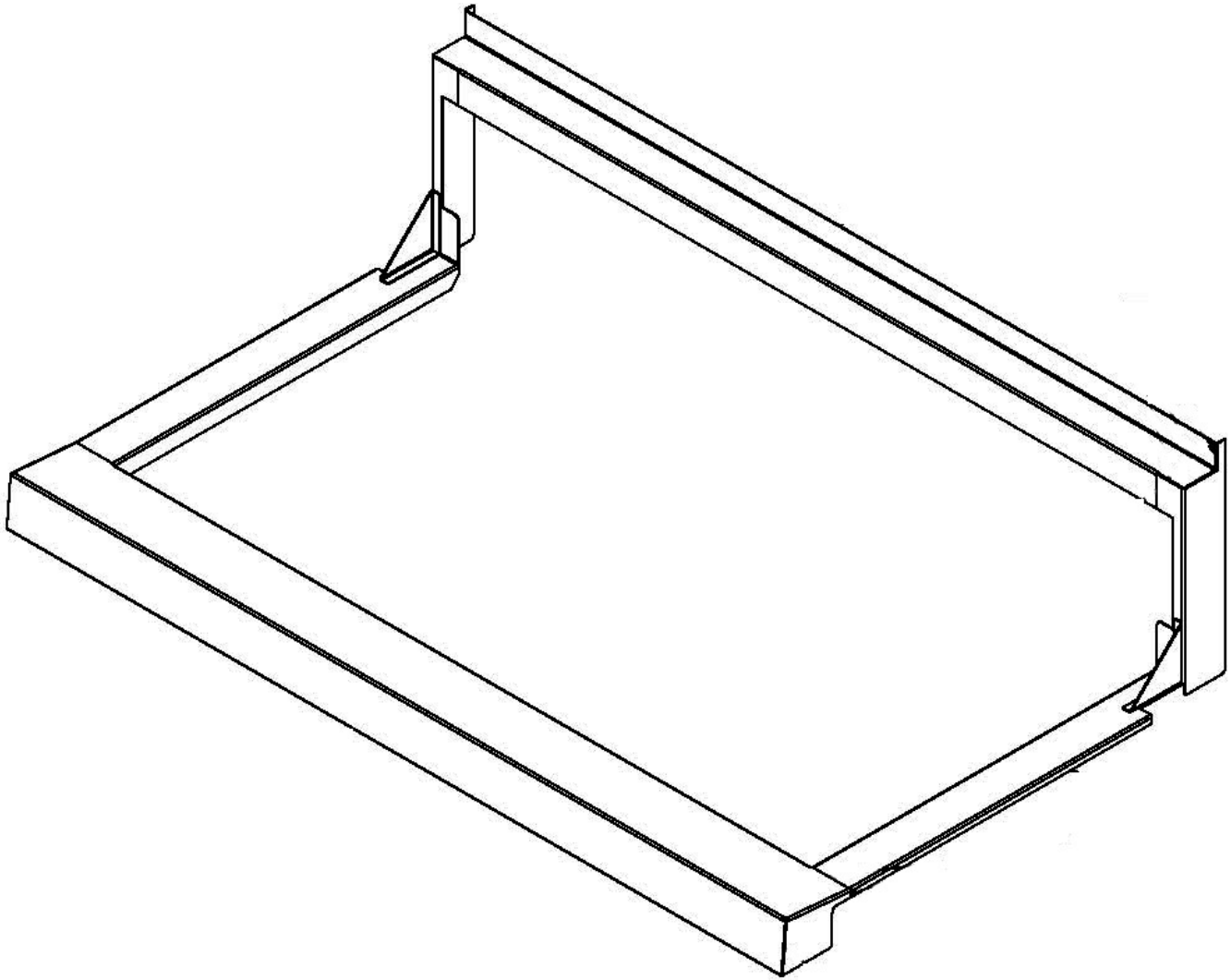
*not shown

Recommend Parts: A=Truck Stock/B=Dist. Stock / *not shown



Item No.	Part No.	Description	Quantity
1	91185	ASSY - DRAIN PAN - LVG.....	1
2	152264	ASSY-DRAIN PAN COVER.....	1
3	85507	WELD ASSY-CRUMB CATCHER	1
4	85503	WELD ASSY-FILTER WEIGHT	1
5	03190-054	McD's FILTER KIT (not supplied by Henny Penny).....	1
		(includes fryer cleaner, 30 filter pads, & green cleaner pads)	
6	85519	FILTER-SECTION	1
7	95842	ASSY-DRAIN PAN & CASTERS-20X	1
8	19004	CASTER - DRAIN PAN.....	4
9*	SC01-009	SCREW (1/4-20 x 1/2).....	16
10*	NS04-005	NUT, KEPS (1/4-20).....	16
A 11	86349	O-RING-PICKUP TUBE.....	3
B 12	12126	BRUSH - BLACK L.....	1
B 13	12112	BRUSH - STRAIGHT WHITE	1
B 14	12116	BRUSH - FRYER - LONG HANDLE	1

Recommend Parts: A=Truck Stock/B=Dist. Stock / *not shown



Fry Cap

Item No.	Part No.	Description	Quantity
1	03702	ACCESSORY-FRY CAP - LVG-202.....	1
1	03703	ACCESSORY-FRY CAP - LVG-203.....	1
1	03704	ACCESSORY-FRY CAP - LVG-204.....	1

Recommend Parts: A=Truck Stock/B=Dist. Stock / *not shown