

SECTION 3. PARTS INFORMATION

3-1. INTRODUCTION

This section list the replaceable parts of the Henny Penny OFE/OFG- 32X Open Fryers.

3-2. GENUINE PARTS

Use only genuine Henny Penny parts in your fryer. Using a part of lesser quality or substitute design may result in damage to the unit or personal injury.

3-3. WHEN ORDERING PARTS

Once the parts that you want to order have been found in the parts list; write down the following information:

Item number	<u>3</u>	
Part number	<u>60783</u>	example:
Description	<u>Vacuum Switch</u>	

From the data plate, list the following information:

Product number	<u>OFG341.0</u>	
Serial number	<u>0001</u>	example:
Voltage	<u>120</u>	

3-4 PRICES

Your distributor has a price parts list and will be glad to inform you of the cost of your parts order.

3-5 DELIVERY

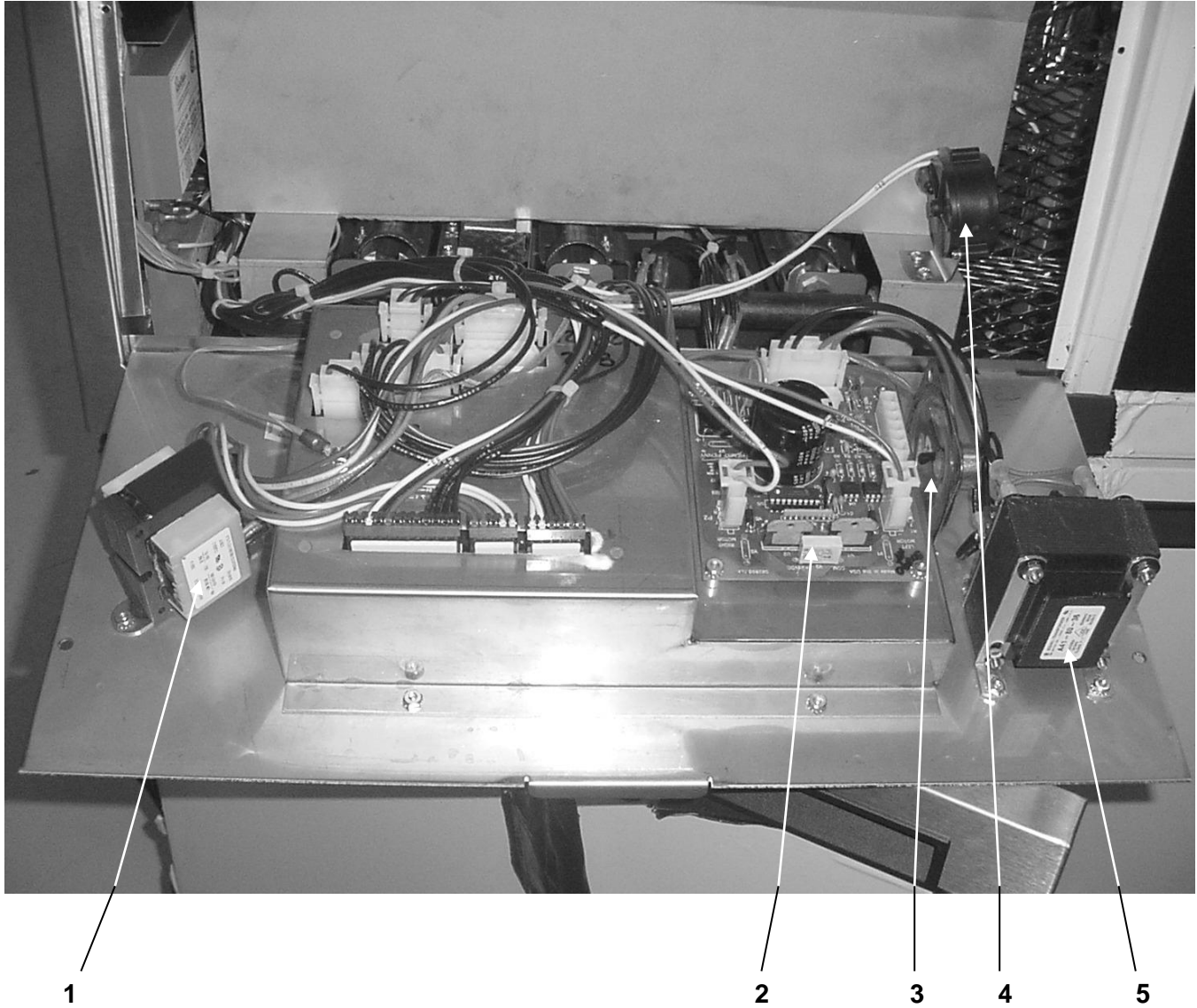
Commonly replaced items are stocked by your distributor and will be sent to you when your order is received. Other parts will be ordered, by your distributor, from Henny Penny Corporation. Normally, these will be sent to your distributor within three working days.

3.6 WARRANTY

All replacement parts (except lamps and fuses) are warranted for 90 days against manufacturing defects and workmanship. If damage occurs during shipping, notify the carrier at once so that a claim may be properly filed. Refer to warranty in the front of this manual for other rights and limitations.

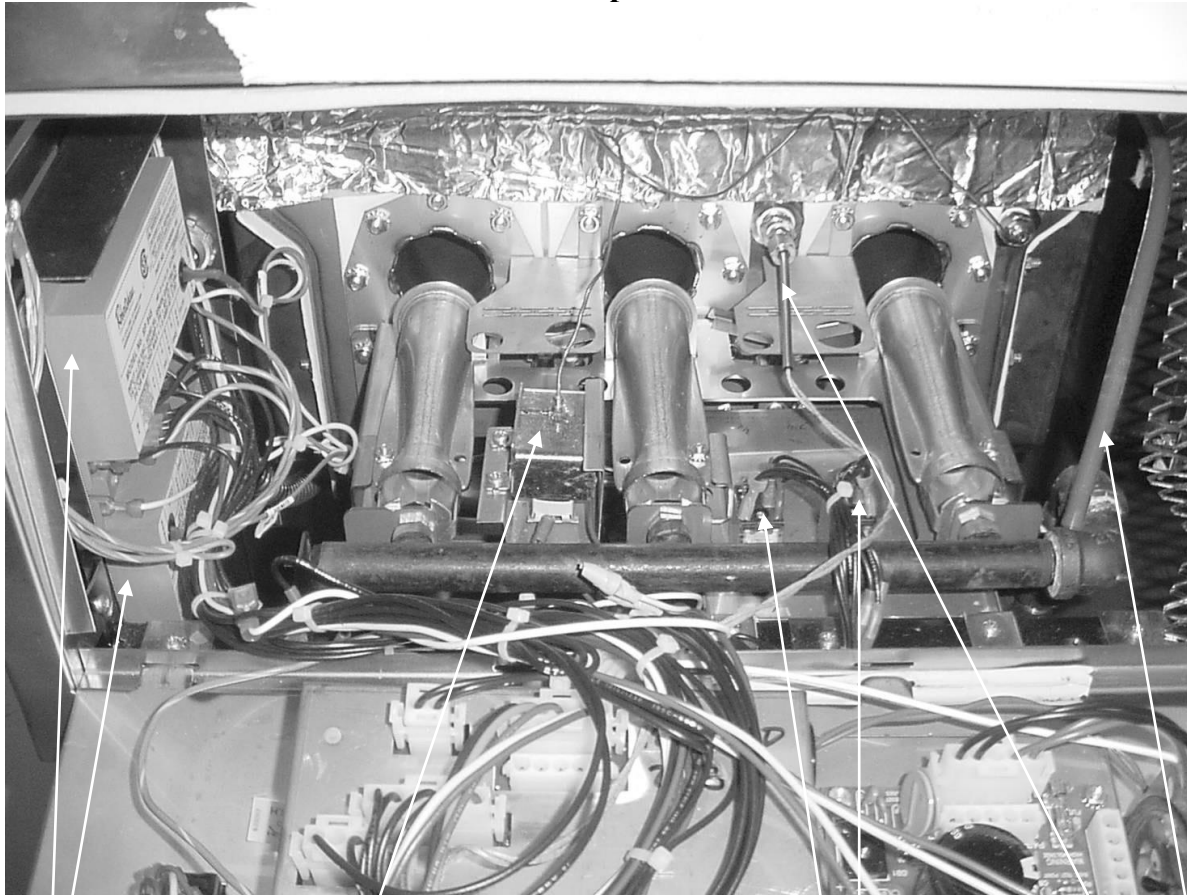
3.7 RECOMMENDED SPARE PARTS FOR DISTRIBUTORS

Recommended replacement parts, stocked by your distributor, are indicated with √ in the parts lists. Please use care when ordering recommended parts, because all voltages and variations are marked. Distributors should order parts based upon common voltages and equipment sold in their territory.



Item No.	Part No.	Description	Qty. per Well
√ 1	60207	Transformer – 120-24V	1
√ 1	60536	Transformer – 230-24V	1
√ 2	50290RB	Autolift PC Board	1
√ 3	54561	Speaker Assy.	1
√ 4	72514	Vacuum Switch (Gas Only)	1
√ 5	TS22-012	Transformer-Autolift	1
√ recommended parts			

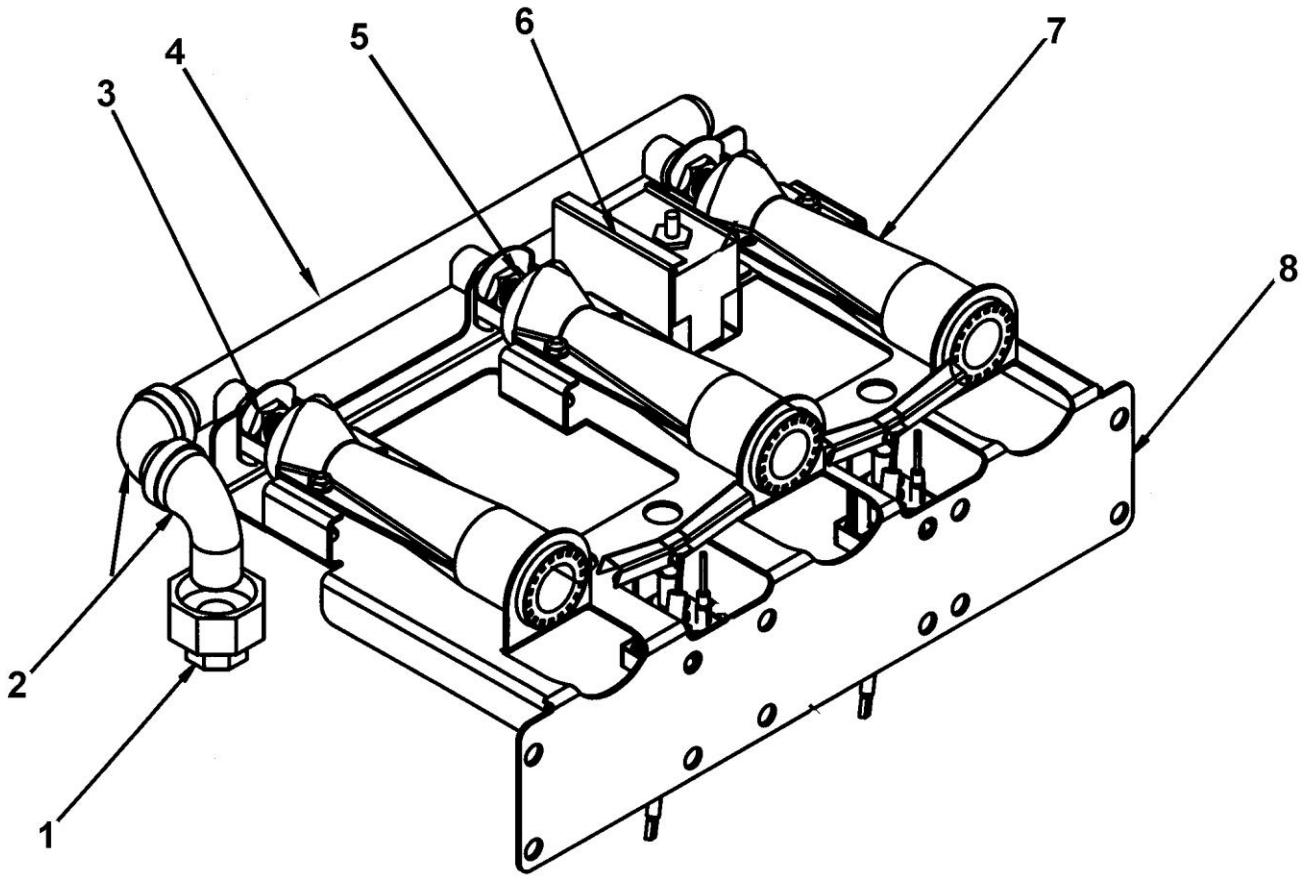
Gas Components



Item No.	Part No.	Description	Qty. per Well
√ 1	77602	Ignition Module – CE (OFG-SN: BR0804001 & Above) (OGA-SN: BS0805001 & Above)	2
√ 1	77839	Ignition Module – Non -CE (OFG-SN: BR0804001 & Above) (OGA-SN: BS0805001 & Above)	2
√ 1	14933	Kit - Ignition Module – Non-CE (OFG-SN: BR0803010 & Below) (OGA-SN: BS0804002 & Below)	1
√ 1	14920	Kit - Ignition Module – CE (OFG-SN: BR0803010 & Below) (OGA-SN: BS0804002 & Below)	1
√ 2	60241	High Limit	1
√ 3	60818	Relay – 10A-24V	2
√ 4	14849	Temperature Probe Assy.	1
5	60202	Vacuum Switch Hose	1
6*	32792	Assy – Gas Line (Flex) – 342	1

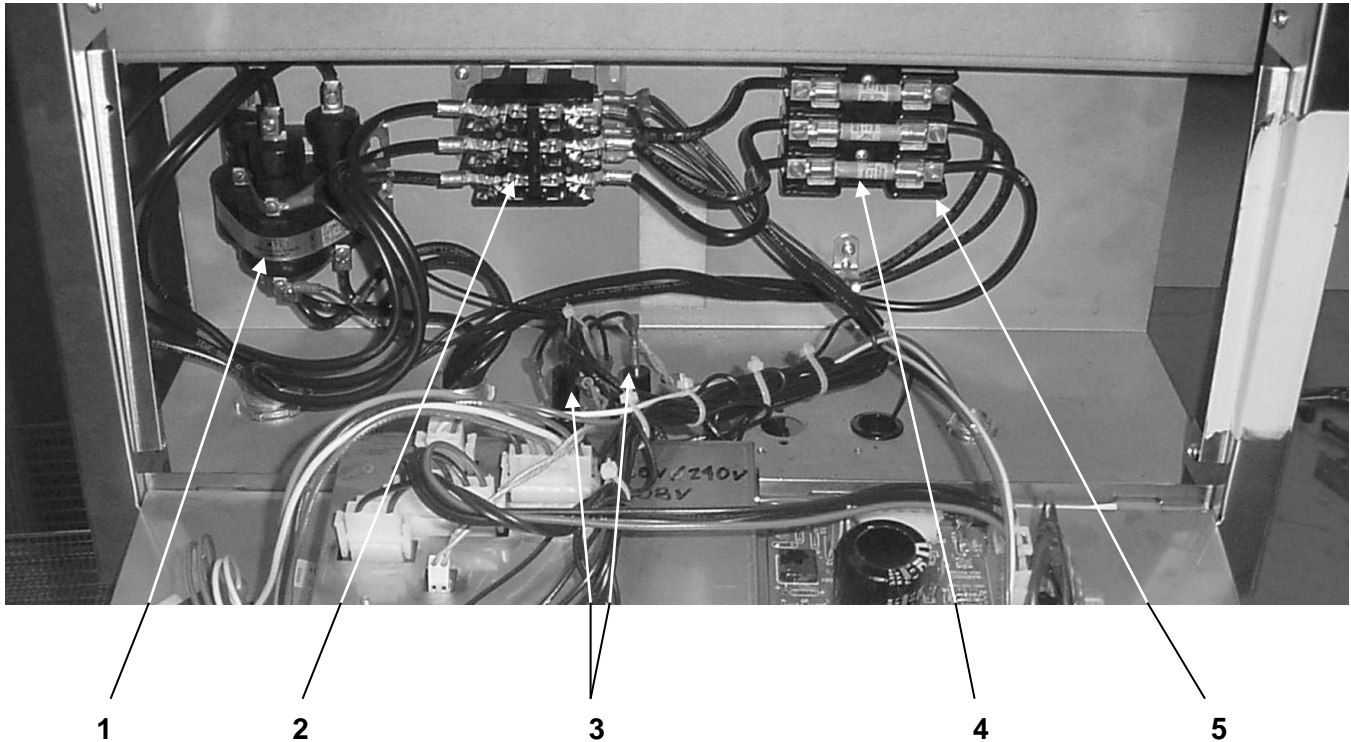
√ recommended parts/*not shown

Gas Burner Assembly



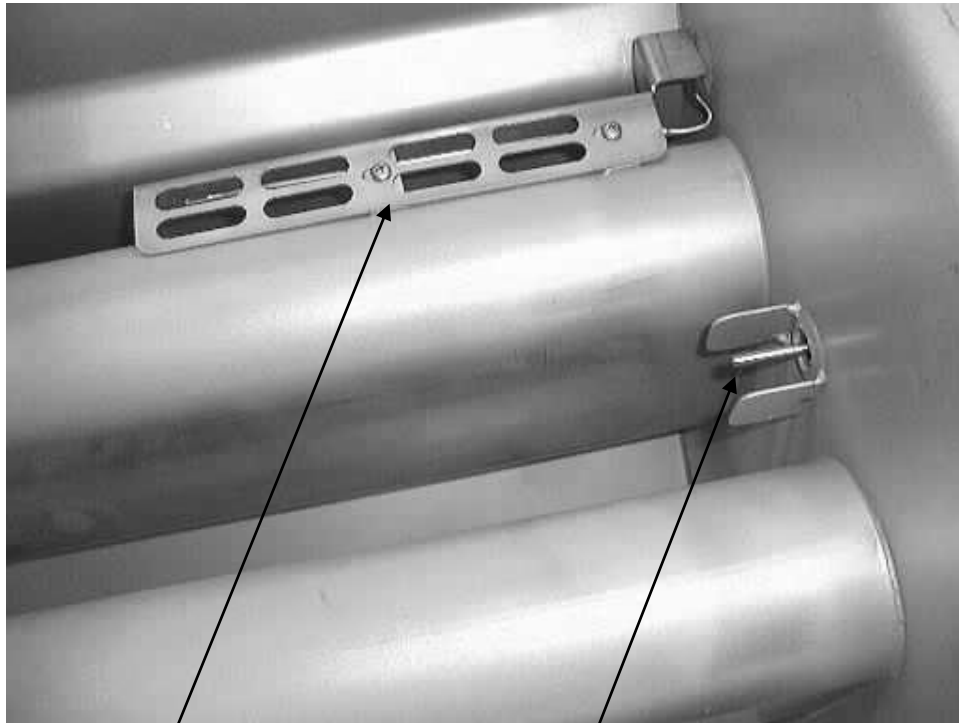
Item No.	Part No.	Description	Qty. per Well
1	FP01-091	Union – ½ NPT Female - BI	1
2	FP01-088	Elbow – Street ½ x 90 BI	2
3	NS03-067	Nut – Locking ½-20 x 3/16 LON	3
4	23389	Weldment - Manifold	1
5	64055-03	Orifices – Burner - LP	3
5	64055-16	Orifices – Burner – Nat.	3
6	21629	Bracket – High Limit Mounting	1
7	60032	Burner – Inshot	3
8	23118	Stud Assy – Burner Bracket – 34X	1

Electric Components



Item No.	Part No.	Description	Qty. per Well
√ 1	29510	Mercury Contactor – 24V	1
√ 2	51795	Standard Contactor – 24V	1
√ 2	65075	Assy.-240v E/M Heat Contactor-CE-240V (UK)	1
√ 2	65074	Assy.-240v E/M Heat Contactor-CE-230V	1
√ 3	18364	Fuse and Holder Assembly (SN: BC0707002 & below)	2
√ 3	EF02-007	Fuse – 15 Amp	2
√ 3	EF02-006	Fuse Holder – 15 Amp	2
√ 3	EF02-125	Breaker – Push Button Reset (SN: BC0707003 & above)	2
√ 3	EF02-105	Fuse – 15 Amp – CE	2
√ 3	EF02-104	Fuse Holder – 20 Amp – CE	2
√ 4	14970	Fuse-Class “G” – 60 Amp (Set of 3)	1
5	60722	Block-Fuse – 60 Amp	1
6*	19923	Transformer – Large – 480V	1(per unit)
7*	60838	Transformer-.05 KVA, 480-240V	1(per 342)

√ recommended parts/*not shown
707

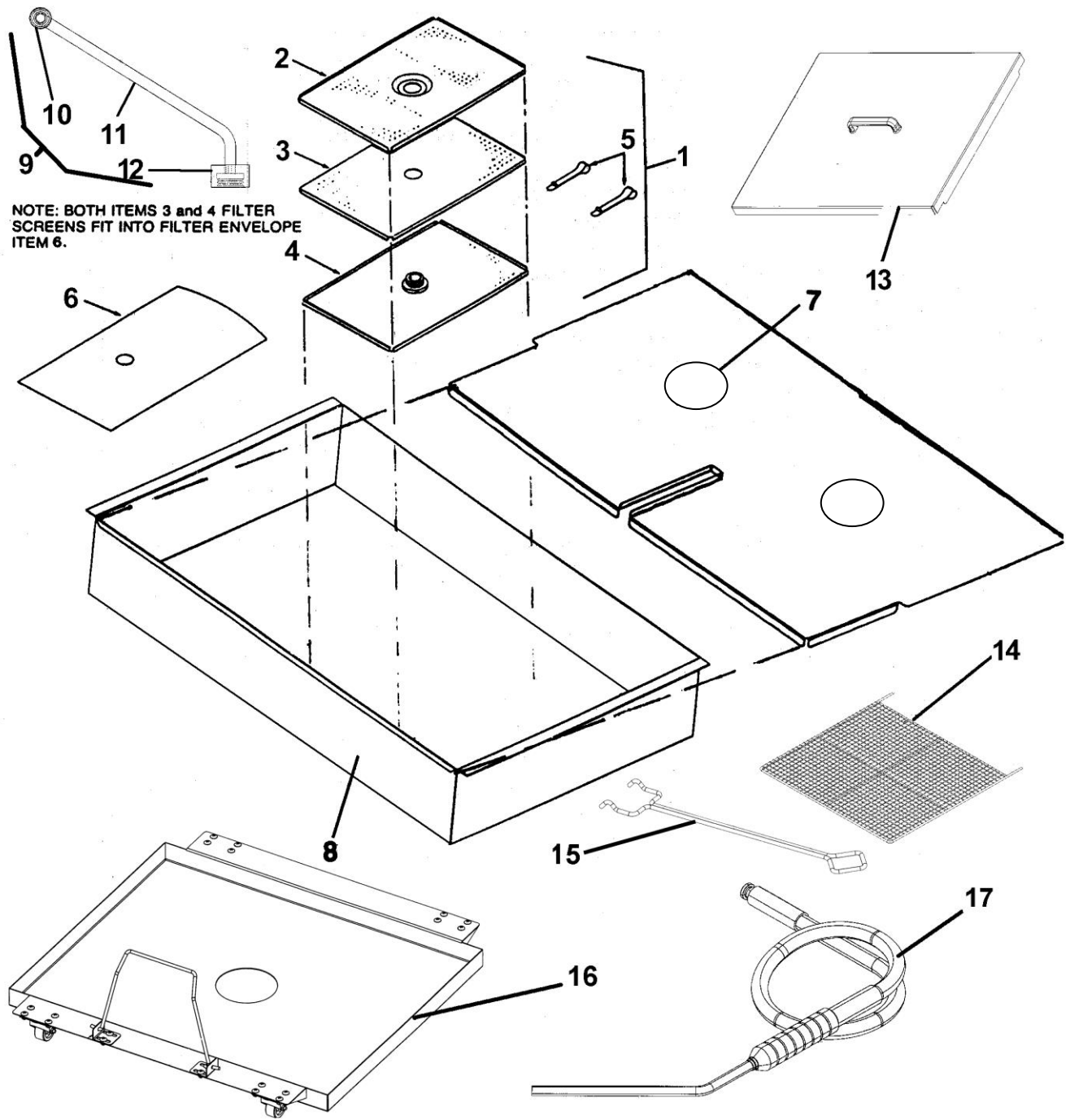


1

2

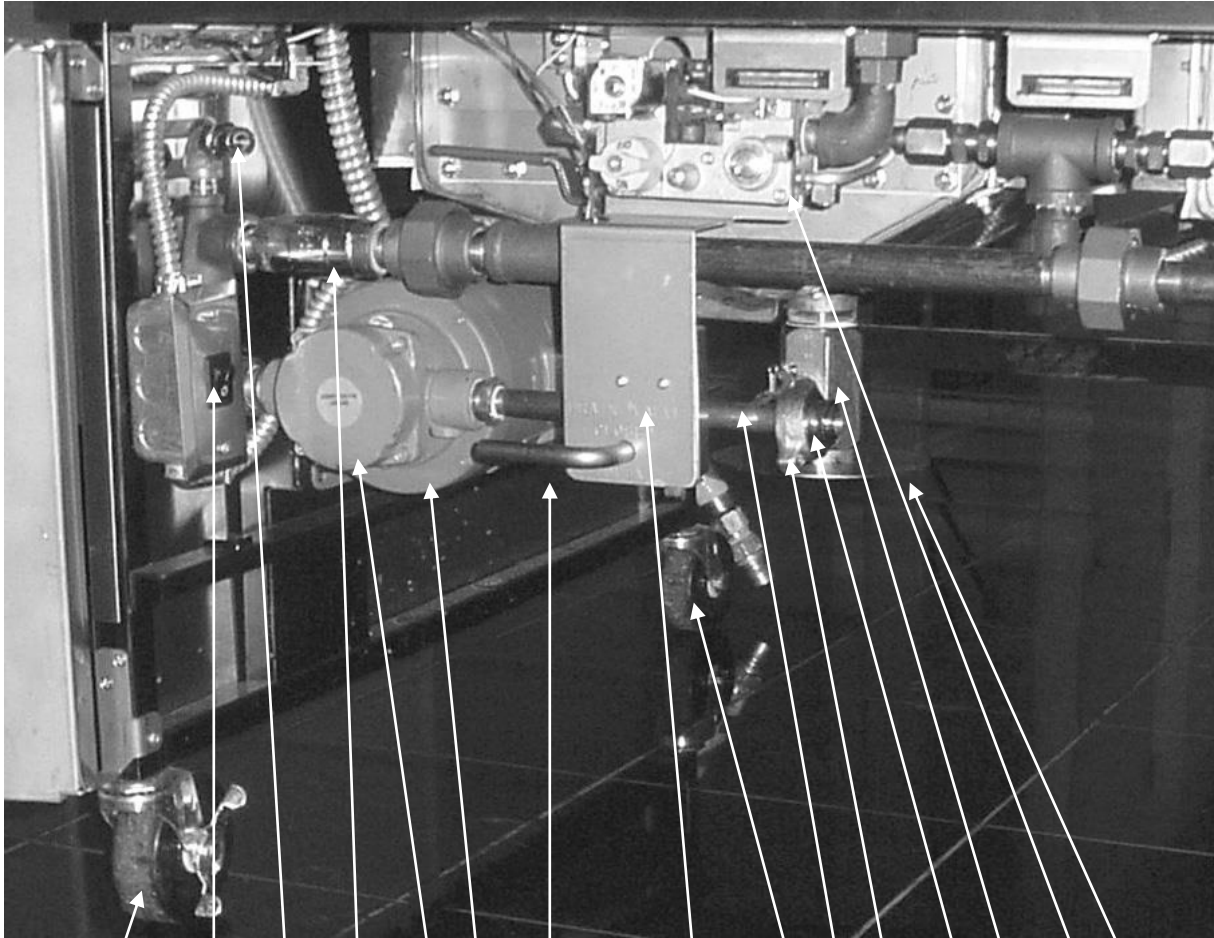
Item No.	Part No.	Description	Qty. per Well
1	60367	Guard - High Limit	1
✓ 2	14849	Temperature Probe Assembly (Gas units)	1

✓ recommended parts



Item No.	Part No.	Description	Qty. per Unit
1	14671	Screen Assembly, Filter	1
2	65211	Crumb Catcher	1
3	use 14671	Top Filter Screen	1
4	use 14671	Bottom Filter Screen - SN: BR0502006 & below)	1
4	65447	Bottom Filter Screen - SN: BR0502007 & above)	1
5	17505	Filter Envelope Clips	2
√ 6	12102	Filter Envelope Paper (100 per Carton)	1
7	24769	Drain Pan Cover - 341-Before Jan. 1, 2006	1
7	70491	Drain Pan Cover - 341-Jan. 1, 2006 & After	1
7	24770	Drain Pan Cover - 342-Before Jan. 1, 2006	1
7	70493	Drain Pan Cover - 342-Jan. 1, 2006 & After	1
7	36223	Cover-Single Capacity Pan-342-Before Jan. 1, 2006	1
7	70587	Cover-Single Capacity Pan-342-Jan. 1, 2006 & After	1
8	24297	Drain Pan/Handle Assy. - 341-Before Jan. 1, 2006	1
8	70378	Drain Pan/Handle Assy. - 341-Jan. 1, 2006 & After	1
8	24298	Drain Pan/Handle Assy. - 342-Before Jan. 1, 2006	1
8	70245	Drain Pan/Handle Assy. - 342-Jan. 1, 2006 & After	1
8	36225	Assy.-342 Single Well Capacity Pan-Before Jan. 1, 2006	1
8	70581	Assy.-342 Single Well Capacity Pan-Jan. 1, 2006 & After	1
9	14656	Kit - Tube - Pick-up - 341-Before Jan. 1, 2006	1
9	14726	Kit-Tube-Pick-up-341-Short-Jan. 1, 2006 & After	1
9	14657	Kit - Tube - Pick-up - 342-Before Jan. 1, 2006	1
9	14727	Kit-Tube-Pick-up-342-Short-Jan. 1, 2006 & After	1
√ 10	use 69289	Union - Female Fitting	1
11	67799	Tube - Pick-up - 341-Before Jan. 1, 2006	1
11	70382	Tube - Pick-up - 341-Short-Jan. 1, 2006 & After	1
11	21044	Tube - Pick-up - 342-Before Jan. 1, 2006	1
11	70384	Tube - Pick-up - 342-Short-Jan. 1, 2006 & After	1
12	65208	Nut - Filter	1
13	03638	Cover - Frypot - Gas & Electric	1/ well
14	21039	Rack - Electric	1/ well
14	21040	Rack - Gas	1/ well
15	32794	Handle - Wire Rack Removal	1
16	03498	Filter Pan Dolly - 341 - Before Jan. 1, 2006	1
16	03551	Filter Pan Dolly - 341-Short - Jan. 1, 2006 & After	1
16	03499	Filter Pan Dolly - 342 - Before Jan. 1, 2006	1
16	03552	Filter Pan Dolly - 342-Short - Jan. 1, 2006 & After	1
17	03003	Assy - Filter Rinse Hose	1

√ recommended parts



Item No.	Part No.	Description	Qty. per Unit
1	52064	Caster-4 inch – swivel w/brake	2
√ 2	43768	Switch - Power DPST 125-250V (Filter)	1
√ 2	52224	Covered Power Switch - CE	1
3	17334	Quick Disconnect – Male - 341	1
3	17333	Quick Disconnect – Female - 342	1
4	21800	Valve-3/4 inch Check	1
5	67589	Assy. - 5 GPM Pump & Motor - 4/1/06 & After	1
5	69357	Assy. - 8 GPM Pump & Motor - Before 4/1/06	1
5	64218	Filter Pump Assy. – 8 GPM - Before 4/1/06	1
5	17437	Filter Pump Assy. – 5 GPM - 4/1/06 & After	1
6	67583	Filter Pump Motor – ½ hp	1
√ *	17476	Seal Kit	1
7	21816	Rod - Drain Valve (normally closed)	1
7	66124	Rod - Drain Valve - Elec. (normally open)	1
7	68558	Rod - Drain Valve - Gas (normally open)	1
7	70963	Rod - Drain Valve - Gas (normally open) - CE	1
√ 8	18227	Microswitch – Drain (behind bracket)	1 / well
9	60312	Caster-4 inch	2
√ 10	17432(use 69289)	Union - Handle Fitting	1
11	55152	Drain Valve and Coupling Assy.	1 / well

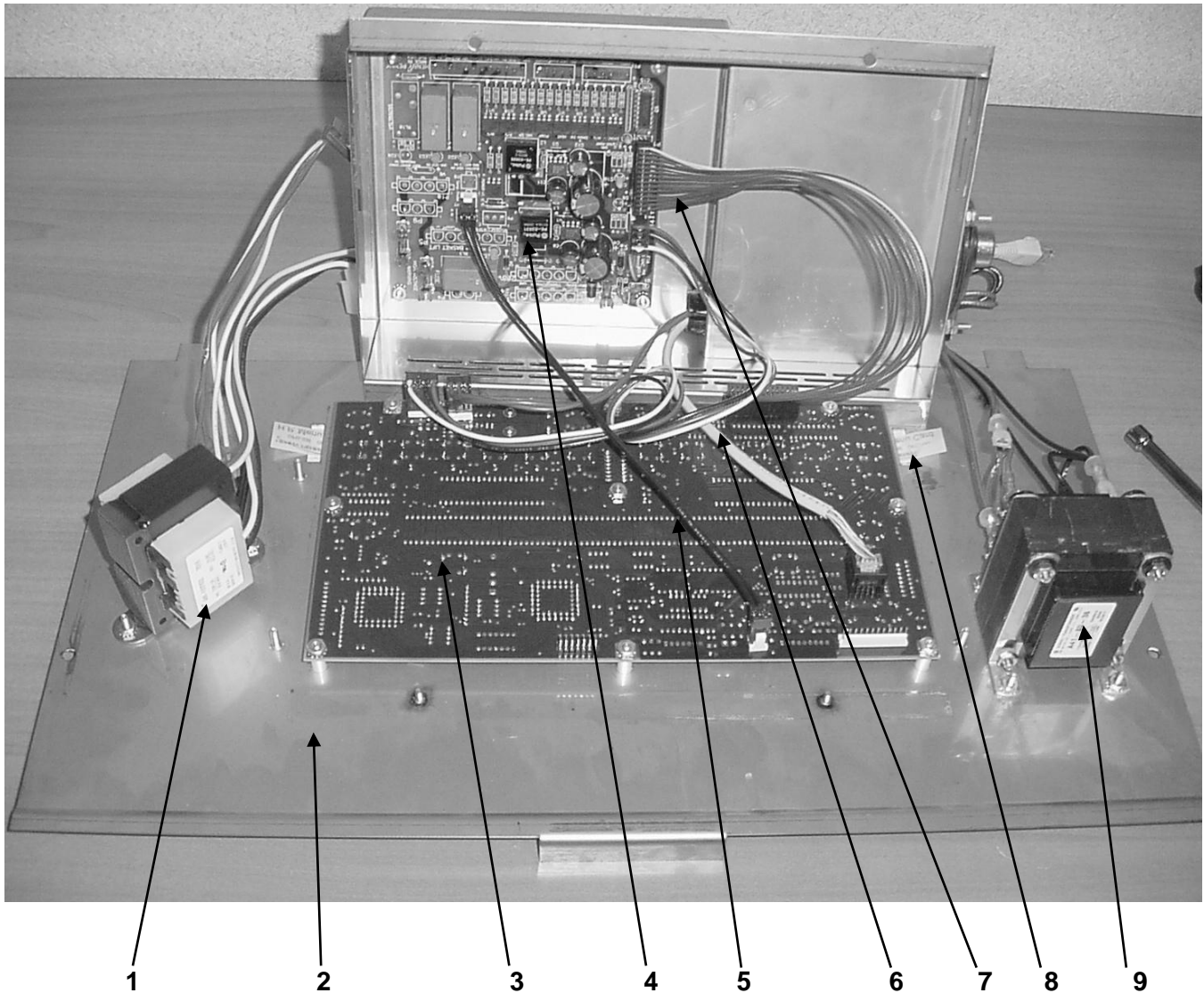
√ recommended parts/*not shown

(Continued)

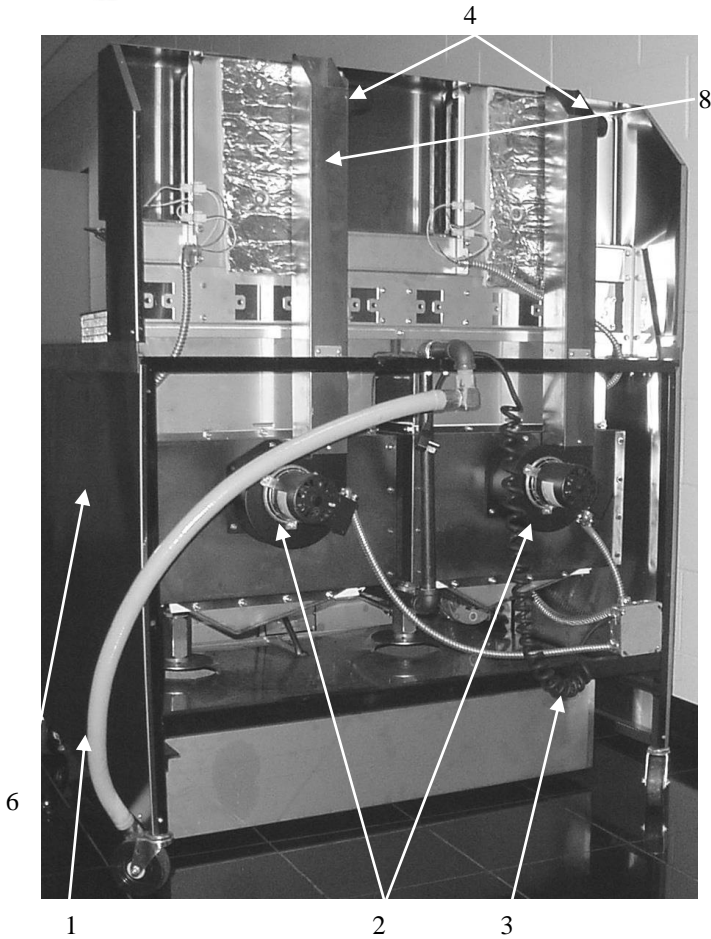
Item No.	Part No.	Description	Qty. per Unit
√ 12	52129	Gas Valve - 24V - Nat.	1 / well
√ 12	60632	Gas Valve - 24V - Nat. - CE	1 / well
√ 12	21332	Gas Valve - 24 V - LP	1 / well
√ 12	60633	Gas Valve - 24V - LP - CE	1 / well
13	23443	Weld Assy. – Drain Extension – Elec.	1 / well
13	24420	Weld Assy. – Drain Extension – Gas	1 / well
14	17431(use 69289)	Union - Male Fitting	1
15	32734	Flexible Hose (before 4-26-04)	1
15	67621	341 Pump Tube (SN: BR0406001 & after)	1
15	67622	342 Pump Tube (SN: BR0405001)	1
15	68378	342 Pump Tube (SN: BS0406002 & after)	1
16*	14416	Kit – Nat. to LP Conversion	1 / well
16*	14417	Kit – LP to Nat. Conversion	1 / well

√ recommended parts

*not shown



Item No.	Part No.	Description	Qty. per Well
√ 1	60207	Transformer – 120-24V	1
√ 1	60536	Transformer – 230-24V	1
√ 2	14950	C1000 Control Panel Assy	1
√ 2	74127RB	Control Panel Assy. less transformers	1
√ 3	71029RB	Control Board Assy – China	1
√ 4	58790RB	I/O Board w/Power Supply Assy.	1
5	21645	Assy -Wire-Temp Interconnect - 2 pin	1
6	60810	Power Cable - I/O to Control - 4 pin	1
7	21643	Wire Assembly - I/O to Control - 14 pin	1
8	59565	Menu Card	1
√ 9	TS22-012	Transformer-Autolift (when applicable)	1
√ recommended parts			



**		
NON Auto-Lift Units		
Desc.	120V-SN: before BR0912001 240V-SN: before BR1210002	120V-SN: BR0912001 & After 240V-SN: BR1210002 & After
Blower	(120V) 64197 / (240V) 21037	(120V) 14420 / (240V) 67713
Flue	69889	82533
Brace	21632	82545
Duct	23115	80545

**		
Auto Lift Units		
Desc.	120V-SN: before BR0912001 240V-SN: before BR1210002	120V-SN: BR0912001 & After 240V-SN: BR1210002 & After
Blower	(120V) 64197 / (240V) 21037	(120V) 14420 / (240V) 67713
Flue	21066	80542
Brace	21632	82545
Duct	23115	80545

Item No.	Part No.	Description	Qty. per Unit
	1	33501 Gas Line – ¾ in. w/Double Swivel – 341	1
	1	33167 Gas Line – 1 in. w/Double Swivel – 342	1
√	2**	64197 Blower Motor Assy – 120V (before SN: BR0912001)	1 / well
√	2**	14420 Kit- Blower-120V (SN: BR0912001 & after)	1 / well
√	2**	21037 Blower Motor Assy- 220V (before SN: BR1210002)	1 / well
√	2**	14422 KIT-390/690-BLOWER-240V (SN: BR1210002 & after)	1/ well
	3	33353 120V Coiled Power Cord	1
√	4	63602 Actuator-Auto-lift (Before SN: BS/BD0812001)	2/ well
√	4	80091 Actuator-Auto-lift (SN: BS/BD0812001 & After)	2/well
	5*	21006 Panel – Left Side - before 4/27/05	1
	5*	67854 Panel – Left Side - 4/27/05 to Dec. 31, 2005	1
	5	70225 Panel – Left Side - Jan. 1, 2006 & After	1
	6	21005 Panel – Right Side - Before Jan. 1, 2006	1
	6	70226 Panel – Right Side -Jan. 1, 2006 & After	1
	7*	31421 Bearing – Auto-Lift (when applicable)	4/ well
	8**	See Chart at top of page for breakdown of flue	

√ recommended parts/*not shown/ **See chart



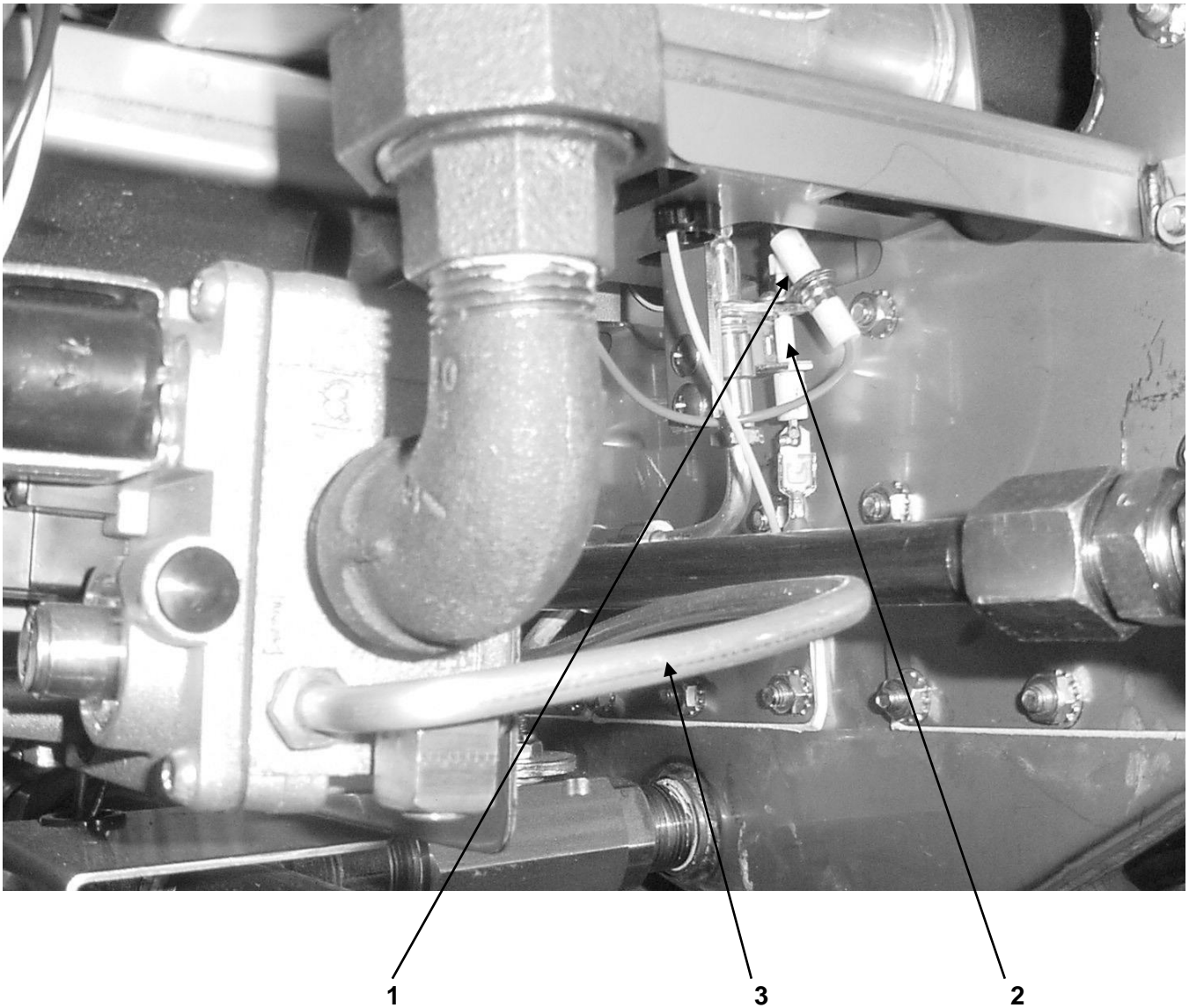
Item No.	Part No.	Description	Qty. per Well
√ 1	43768	Power Switch	1
√ 1	52224	Covered Power Switch - CE	1
2	21687	Decal - Control - 34X	1
3	21008	Door Assembly - 341- Before Jan. 1, 2006	1
3	70207	Door Assembly - 341-Jan. 1, 2006 & After	1
3	21086	Door Assembly - LH - 342 - Before Jan. 1, 2006	1 (per unit)
3	70238	Door Assembly - LH - Jan. 1, 2006 & After	1 (per unit)
4	41836	Pocket Pull	1
5	17618	Hinge Assembly - Top - LH	1
6	21034	Hinge Assembly - Bottom - LH	1
7	21426	Door Assembly - RH - 342 - Before Jan. 1, 2006	1 (per unit)
7	70240	Door Assembly - RH-342-Jan. 1, 2006 & After	1 (per unit)
4	41836	Pocket Pull	1
8	17620	Hinge Assembly - Top - RH	1
9	21433	Hinge Assembly - Bottom - RH	1
10	21036	½ Size Basket	2
10	21038	1/3 Size Basket	3
10	64211	Full Size Basket	1
10	81584	Basket, 1/2 Size, Reduced Weight	2
11*	23850	Skimmer - Square Mesh	1
12*	14784	Kit – Joining (Non-Auto-Lift fryers only!)	1

√ recommended parts/*not shown
410



Item No.	Part No.	Description	Qty. per Well
√ 1	64210-01	Element – OFE34X – 208V	2
√ 1	64210-02	Element – OFE34X – 220V	2
√ 1	64210-03	Element – OFE34X – 230V	2
√ 1	64210-04	Element – OFE34X – 240V	2
√ 1	64210-07	Element – OFE34X – 480V	2
2	24194	Spreader - Front - 34X	1
3	21978	Strap - Spreader - 34X	10
4	24176	Weldment - Spreader - 34X	2
5	23929	Strap - Vertical - Rear	1
6	23928	Strap - Brace Vertical - Rear	1
7	23507	Strap - Capillary Tube	2
8	23854	Guard - Position Hi Limit	1
9*	24236	Weldment-Element Hook (Before 4-1-06)	1 per unit
9*	71252	Weldment- Element Hook (After 4-1-06)	1 per unit

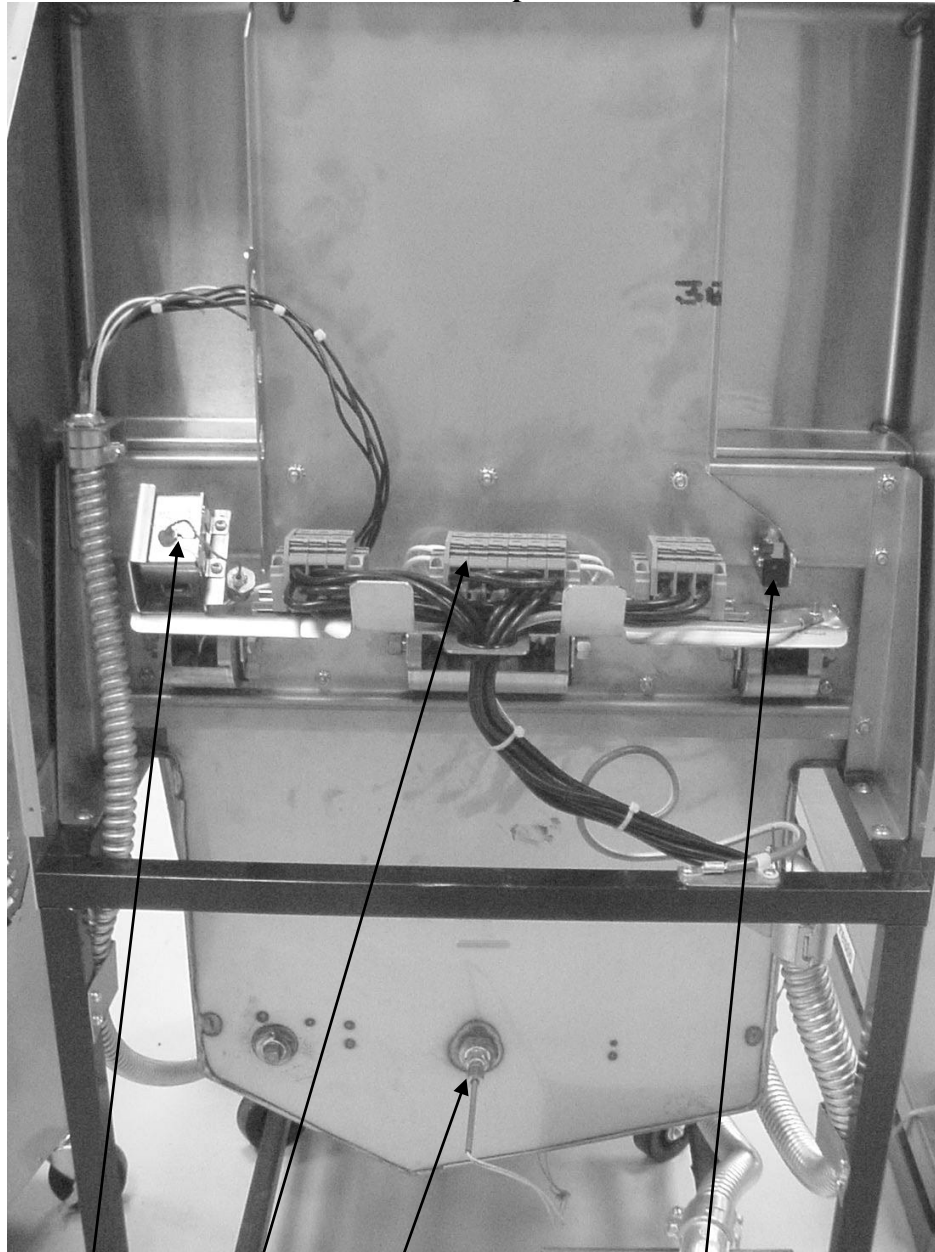
√ recommended parts/ *not shown



Item No.	Part No.	Description	Qty. per Well
√ 1	60266	Pilot - Tee Style & Ignitor Assy.	1
	23735	Orifice - Pilot - Nat.	1
	60614	Orifice - Pilot - LP	1
√ 2	60292	Sensor - Flame - Pilot	1
3	21827	Tube - Pilot	1
3	67817	Tube - Pilot - CE	1

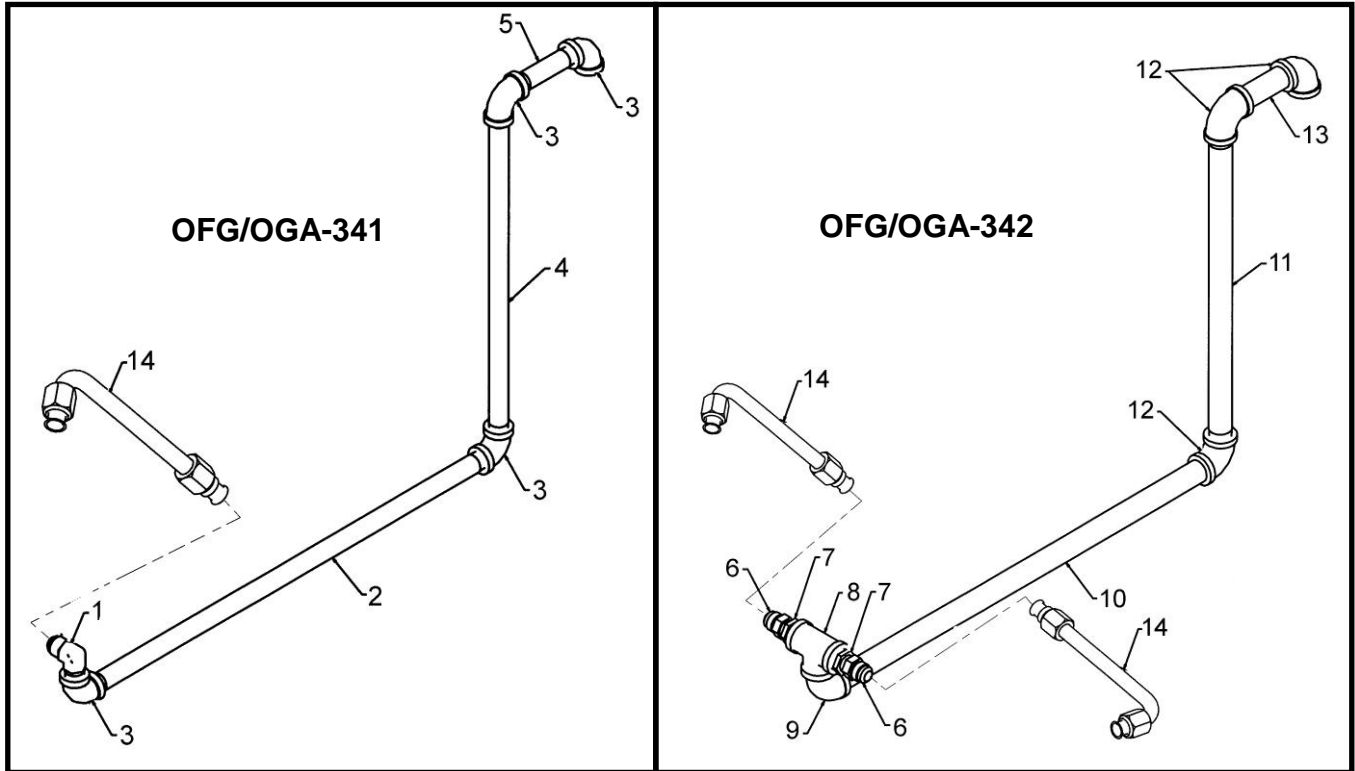
√ recommended parts

Electric Components



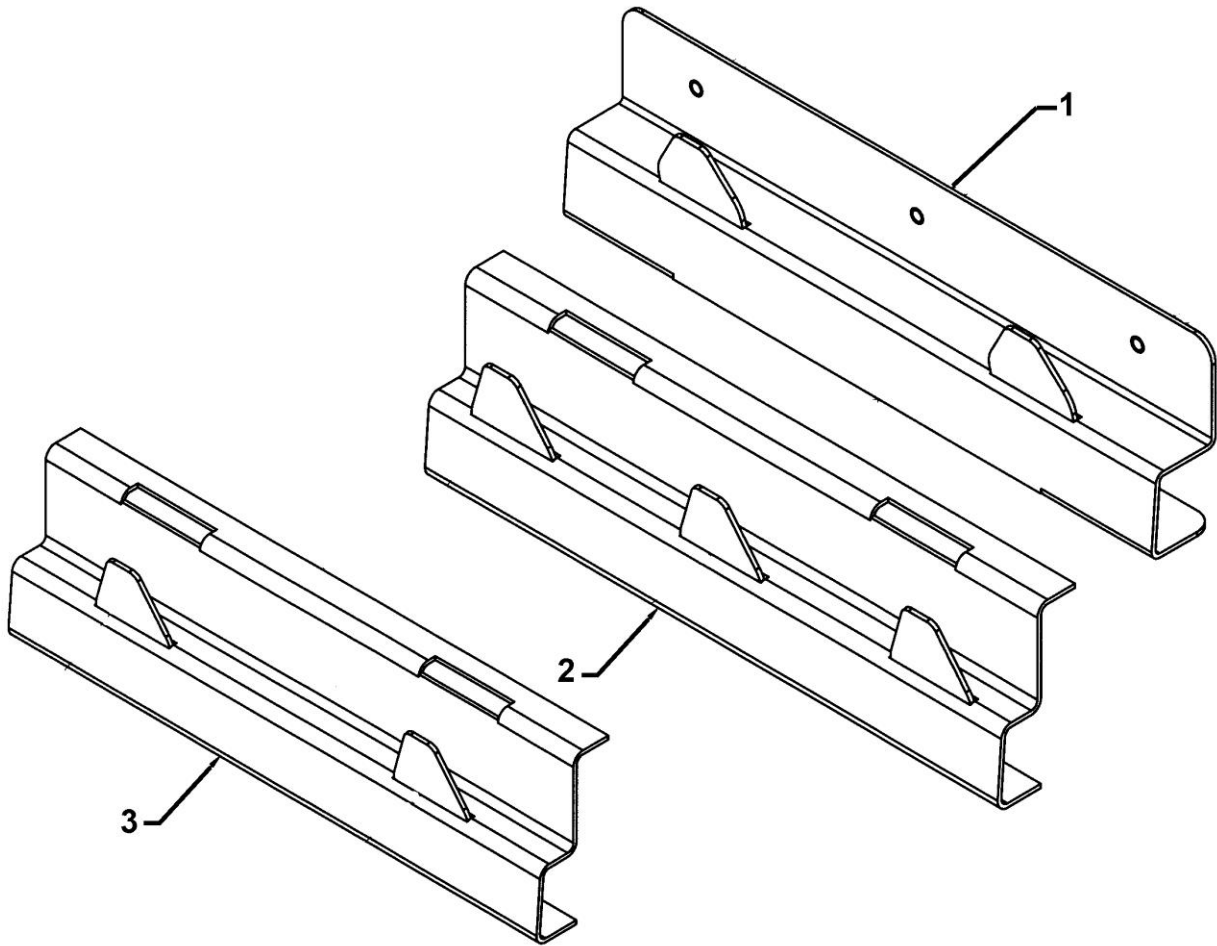
Item No.	Part No.	Description	Qty. per Well
√ 1	60241	High Limit - 425° F	1
2	23823	Assy-Heater Terminal Block	1
√ 3	14973	Temperature Probe Assembly	1
√ 4	18227	Microswitch	1
√ 5*	32497	EMC Filter Board - CE	1
√ 6*	32498	Assy - 4 Inch Terminal Block	1

√ recommended parts/*not shown



Item No.	Part No.	Description	Qty. per Unit
1	16336	Elbow – Male	1
2	FP02-050	Nipple – ½ x 24 LG BI	1
3	FP01-090	Elbow – ½ NPT x 90 Female - BI	4
4	FP02-051	Nipple – ½ x 17 LG BI	1
5	FP02-052	Nipple – ½ x 4 LG BI	1
6	16335	Male Connector – 37 Flare	2
7	FP01-089	Bushing – Reducing – ¾M to 1/2F BL	2
8	FP01-097	Tee – ¾ NPT – Female Pipe – BI	1
9	FP01-100	Elbow – Street – ¾ NPT BI	1
10	FP02-040	Nipple – ¾ x 24 LG BI	1
11	FP02-032	Nipple – ¾ x 17 LG BI	1
12	FP01-098	Elbow – ¾ NPT x 90 Female - BI	3
13	FP02-023	Pipe – ¾ NPT x 19-1/4 LG BI	1
14	21801	Tube Assy – Valve Inlet – 34X	341- 1 342- 2
15*	FP01-200	Fitting – Gas Inlet BSPT	1

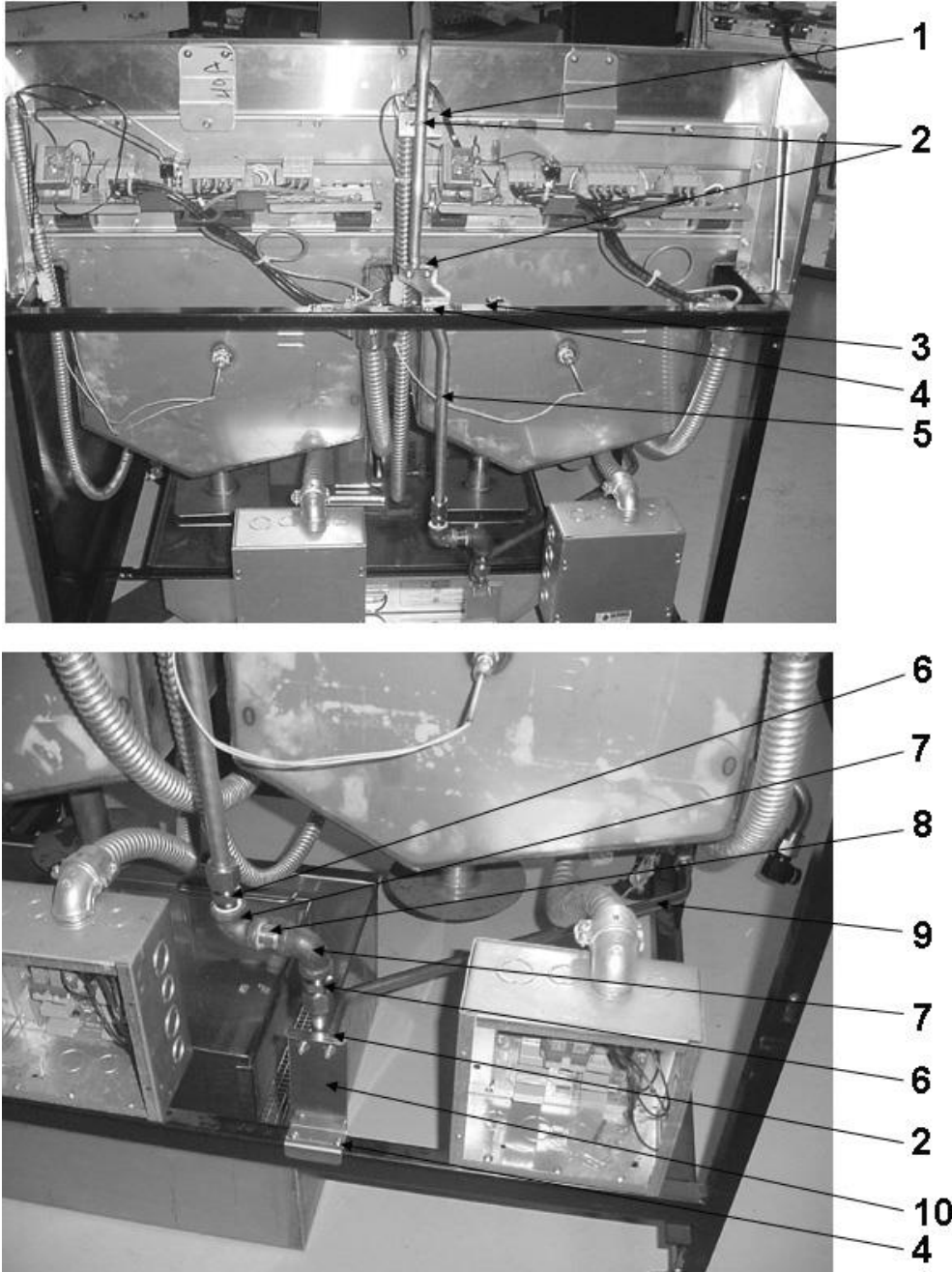
*not shown



Item No.	Part No.	Description	Qty. per Well
1	24809	Hook – Basket Hanger – ½-Size (before 06/01/05)	1
1	70102	Hook – Basket Hanger – ½-Size (06/01/05 & after)	1
2	36030	Bracket – 1/3-Size Basket	1
3	38912	Bracket – 1/2-Size Basket (before 06/01/05)	1

OFG/OFE ELECTRO MECHANICAL PARTS LIST

<u>PART NUMBER</u>	<u>DESCRIPTION</u>
√ 60816	Adjustable Relay Base
√ 60817	Adjustable Time Delay Relay
√ 60818	24VAC Coil Relay
√ 60765	24V Dual Face Timer
√ 14851	Thermostat Kit
60814	E/M Bulb Mounting Clip (Gas)
√ 35916	Transformer 120V to 24V (Gas)
√ 60536	Transformer 24V/230V (Electric)
√ 60792	Indicator Light – 24 V
√ 51795	24v Mechanical Contactor (Elec. Only)
√ 65098	Assy. - Heat Contactor – 24V - CE
√ 65567	Assy. – Timer Buzzer Coil-24V
36224	Decal – E/M Controls – 34X



OVER-THE-TOP PUMBING W/O D.C. PARTS (March 1, 2006 & After)

Item No.	Part No.	Description	Qty.
1	73370	HANGER-ACTUATOR CONDUIT	1
2	SC06-013	U BOLT 1/4-20 FOR 3/4 DIA	3
3	71185	BRACKET-TUBE	1
4	SC03-001	SCREW #10 X 1/2 PH PHD TEK 2 C	4
5	71139	ASSY-TUBE RETURN LINE	1
6	16807	FITTING CONNECTOR MALE	2
7	FP01-090	ELBOW-1/2NPT X 90 FEMALE BI	2
8	FP02-018	NIPPLE-1/2 NPT X 2.00L BI	1
9	71063	ASSY-PUMP RETURN TUBE	1
10	71142	BRACKET-TUBE REAR SUPPORT	1



OVER-THE-TOP FAUCET ASSY. (March 1, 2006 & After)

Item No.	Part No.	Description	Qty.
1	71899	ASSY. – 341 FAUCET	1
--Dimensions: approximately 16.184"			
	17333	FEMALE DISCONNECT	1
1	71665	ASSY. – 342 FAUCET	1
--Dimensions: approximately 8"			
	17334	MALE DISCONNECT	1
2	71830	HANDLE – DIVERTER VALVE (Direct-Connect units)	1
3*	03621	ASSY-90' FEMALE FILTER HOSE	A/R

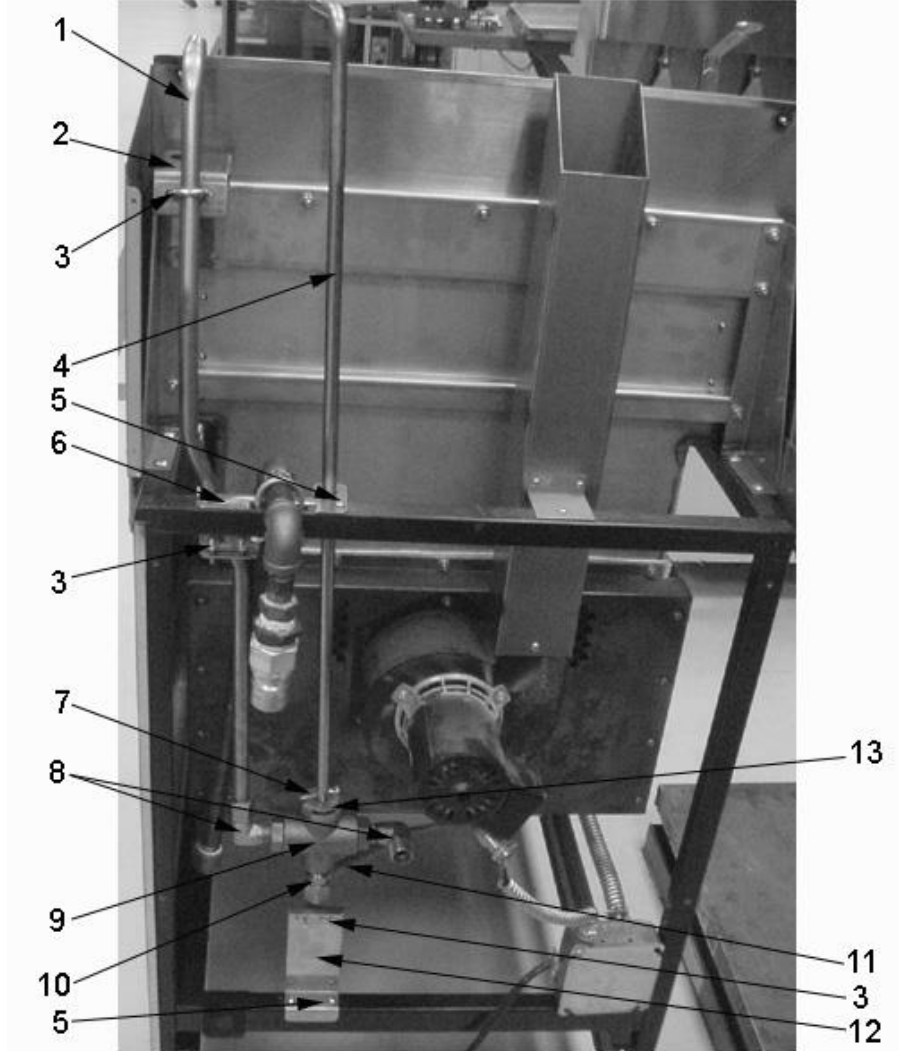
341 DIRECT-CONNECT PARTS LIST (Before March 1, 2006)

Part No.	Description	Qty.
16282	NIPPLE 3/4 X CLOSE	1
21611	DISCONNECT-MALE	1
21612	DISCONNECT-FEMALE	1
21753	HOSE-SHORTENING DISCARD	1
21800	VALVE-3/4 CHECK	1
23430	VALVE-3/4 INLET-E34X	1
67850	BRACKET-34X D/C REAR SUPPORT	1
FP01-140	PLUG-3/4 PIPE-BI	2
FP01-142	CROSS-3/4 NPT BI	1
FP02-039	NIPPLE-3/4 X 6 LG-BI	1
FP02-059	NIPPLE-3/4 X 27 LG-BI	1
SC03-001	SCREW #10 X 1/2 PH PHD TEK 2 C	2

342 DIRECT-CONNECT PARTS LIST (Before March 1, 2006)

Part No.	Description	Qty.
16282	NIPPLE 3/4 X CLOSE	1
21611	DISCONNECT-MALE	1
21612	DISCONNECT-FEMALE	1
21753	HOSE-SHORTENING DISCARD	1
21800	VALVE-3/4 CHECK	1
67850	BRACKET-34X D/C REAR SUPPORT	1
FP02-059	NIPPLE-3/4 X 27 LG-BI	1
SC03-001	SCREW #10 X 1/2 PH PHD TEK 2 C	2
FP01-140	PLUG-3/4 PIPE-BI	1
FP02-033	NIPPLE-3/4 NPT X 4 IN LONG BI	1
FP02-039	NIPPLE-3/4 X 6 LG-BI	1

341 W/DIRECT-CONNECT PARTS LIST (March 1, 2006 & After)



Item No.	Part No.	Description	Qty.
1	71139	ASSY-TUBE RETURN LINE	1
2	73370	HANGER-ACTUATOR CONDUIT	1
3	SC06-013	U BOLT 1/4-20 FOR 3/4 DIA	3
4	71070	ROD - EXTENSION FILTER VALVE	1
5	SC03-001	SCREW #10 X 1/2 PH PHD TEK 2 C	4
6	71185	BRACKET-TUBE	1
7	17255	COTTER PIN	1
8	17407	CONNECTOR - 1/2 MALE ELBOW	2
9	21613	VALVE - DIVERTER	1
10	16807	FITTING CONNECTOR MALE	1
11	71063	ASSY - PUMP RETURN TUBE	1
12	71142	BRACKET-TUBE REAR SUPPORT	1
13	67492	STOP - D/C EXTENSION ROD	1

341 AUTO-LIFT W/DIRECT-CONNECT PARTS LIST (March 1, 2006 & After)

Part No.	Description	Qty.
16807	FITTING CONNECTOR MALE	3
17255	PIN-COTTER	1
19811	1/2" 90 STRT ELL,S.S.	1
21613	VALVE-DIVERTER	1
21800	VALVE-3/4 CHECK	1
67492	STOP-D/C EXTENSION ROD	1
71063	ASSY-PUMP RETURN TUBE	1
71142	BRACKET-TUBE REAR SUPPORT	1
71185	BRACKET-TUBE	1
71652	ASSY-TUBE RETURN LINE A/LIFT	1
71653	ASSY-DIV TUBE RS A/LIFT	1
71830	HANDLE-DIVERTER VALVE	1
71921	ROD-EXTENSION A/LIFT FLTR V	1
FP01-018	1/2 STR PIPE COUPLING CONDUIT	1
FP01-029	REDUCER 1/2NPT M-3/8NPT F SS*S	1
FP01-089	BUSHNG-REDUCNG 3/4M TO 1/2F BL	1
FP01-090	ELBOW-1/2NPT X 90 FEMALE BI	1
FP02-018	NIPPLE-1/2 NPT X 2.00L BI	2
SC01-209	#10-32 X3/8 PH THD SS	2
SC03-001	SCREW #10 X 1/2 PH PHD TEK 2 C	4
SC06-013	U BOLT 1/4-20 FOR 3/4 DIA	2
17333	RINSE HOSE DISCONNECT FEMALE	1
17334	RINSE HOSE DISCONNECT MALE	1
FP02-001	NIPPLE 3/8 CLOSE	1
60610	RETURN LINE - UPPER	1
71462	WELD ASSY-TUBE COUPLING PLATE	1

341 AUTO-LIFT W/O DIRECT-CONNECT PARTS LIST (March 1, 2006 & After)

Part No.	Description	Qty.
71185	BRACKET-TUBE	1
71652	ASSY-TUBE RETURN LINE A/LIFT	1
71653	ASSY-DIV TUBE RS A/LIFT	1
FP01-018	1/2 STR PIPE COUPLING CONDUIT	1
FP01-029	REDUCER 1/2NPT M-3/8NPT F SS	1
FP01-090	ELBOW-1/2NPT X 90 FEMALE BI	3
FP02-018	NIPPLE-1/2 NPT X 2.00L BI	1
SC03-001	SCREW #10 X 1/2 PH PHD TEK 2 C	4
SC06-013	U BOLT 1/4-20 FOR 3/4 DIA	2
17333	RINSE HOSE DISCONNECT FEMALE	1
17334	RINSE HOSE DISCONNECT MALE	1
FP02-001	NIPPLE 3/8 CLOSE	1
60610	RETURN LINE - UPPER	1
71462	WELD ASSY-TUBE COUPLING PLATE	1

342 AUTO-LIFT W/DIRECT-CONNECT PARTS LIST (March 1, 2006 & After)

Part No.	Description	Qty.
16807	FITTING CONNECTOR MALE	4
17255	PIN-COTTER	2
17407	CONNECTOR 1/2 MALE ELBOW	3
19811	1/2" 90 STRT ELL,S.S.	1
21613	VALVE-DIVERTER	2
21800	VALVE-3/4 CHECK	1
67492	STOP-D/C EXTENSION ROD	2
71063	ASSY-PUMP RETURN TUBE	1
71142	BRACKET-TUBE REAR SUPPORT	1
71185	BRACKET-TUBE	1
71652	ASSY-TUBE RETURN LINE A/LIFT	1
71653	ASSY- DIV TUBE RS A/LIFT	1
71670	TUBE-LINE OIL RETURN	1
71740	ASSY-DIV TUBE LS A/LIFT	1
71777	LABEL-OIL RETURN 34X	1
71790	ROD-EXTENSION DIVERTER	1
71830	HANDLE-DIVERTER VALVE	1
71921	ROD-EXTENSION A/LIFT FLTR V	1
FP01-018	1/2 STR PIPE COUPLING CONDUIT	2
FP01-089	BUSHNG-REDUCNG 3/4M TO 1/2F BL	1
FP01-090	ELBOW-1/2NPT X 90 FEMALE BI	1
FP02-018	NIPPLE-1/2 NPT X 2.00L BI	2
SC01-209	#10-32 X3/8 PH THD SS	2
SC03-001	SCREW #10 X 1/2 PH PHD TEK 2 C	4
SC06-013	U BOLT 1/4-20 FOR 3/4 DIA	2
17333	RINSE HOSE DISCONNECT FEMALE	1
17334	RINSE HOSE DISCONNECT MALE	1
FP02-001	NIPPLE 3/8 CLOSE	2
60610	RETURN LINE - UPPER	1
71462	WELD ASSY-TUBE COUPLING PLATE	2
73188	ASSY-DIV TUBE A/LIFT - GAS	2

342 AUTO-LIFT W/O DIRECT-CONNECT PARTS LIST (March 1, 2006 & After)

Part No.	Description	Qty.
16807	FITTING CONNECTOR MALE	4
17255	PIN-COTTER	1
17407	CONNECTOR 1/2 MALE ELBOW	1
21613	VALVE-DIVERTER	1
71063	ASSY-PUMP RETURN TUBE	1
71142	BRACKET-TUBE REAR SUPPORT	1
71185	BRACKET-TUBE	1
71652	ASSY-TUBE RETURN LINE A/LIFT	1
71670	TUBE-LINE OIL RETURN	1
71740	ASSY-DIV TUBE LS A/LIFT	1
71777	LABEL-OIL RETURN 34X	1
71790	ROD-EXTENSION DIVERTER	1
FP01-018	1/2 STR PIPE COUPLING CONDUIT	2
FP01-090	ELBOW-1/2NPT X 90 FEMALE BI	1
FP02-018	NIPPLE-1/2 NPT X 2.00L BI	2
SC03-001	SCREW #10 X 1/2 PH PHD TEK 2 C	4
SC06-013	U BOLT 1/4-20 FOR 3/4 DIA	2
17333	RINSE HOSE DISCONNECT FEMALE	1
17334	RINSE HOSE DISCONNECT MALE	1
FP02-001	NIPPLE 3/8 CLOSE	2
60610	RETURN LINE - UPPER	1
71462	WELD ASSY-TUBE COUPLING PLATE	2
73188	ASSY-DIV TUBE A/LIFT - GAS	2