

SECTION 3. PARTS INFORMATION

3-1. INTRODUCTION

This section lists the replaceable parts of the Henny Penny OFE/OFG- 32x Open Fryers.

3-2. GENUINE PARTS

Use only genuine Henny Penny parts in your fryer. Using a part of lesser quality or substitute design may result in damage to the unit or personal injury.

3-3. WHEN ORDERING PARTS

Once the parts that you want to order have been found in the parts list, write down the following information:

| | | |
|-------------|----------------------|----------|
| Item Number | <u>8</u> | Example: |
| Part Number | <u>31561</u> | |
| Description | <u>On/Off Switch</u> | |

From the data plate, list the following information:

| | | |
|----------------|--------------|----------|
| Product Number | <u>01400</u> | Example: |
| Serial Number | <u>0001</u> | |
| Voltage | <u>208</u> | |

3.4 PRICES

Your distributor has a price parts list and will be glad to inform you of the cost of your parts order.

3.5 DELIVERY

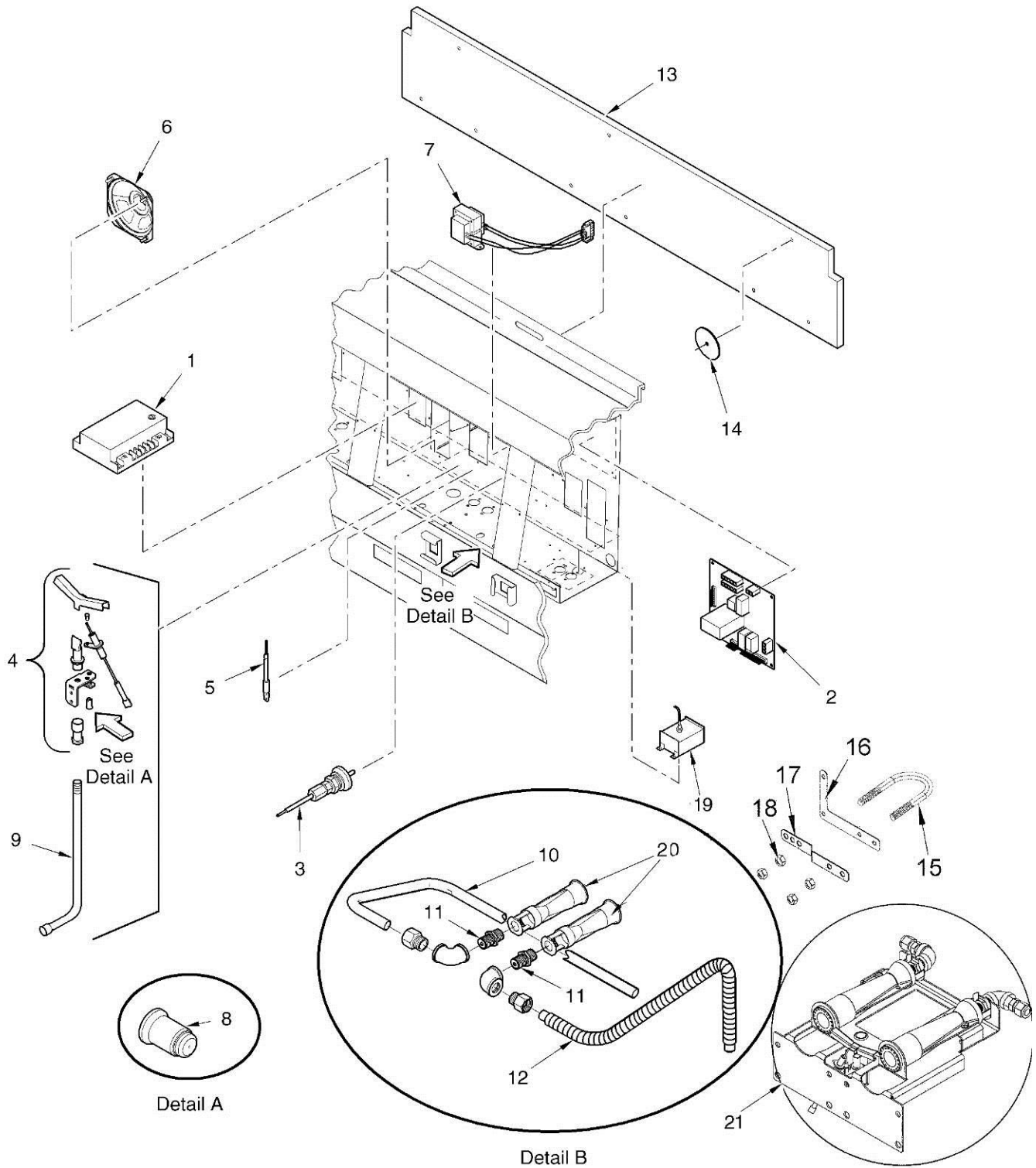
Commonly replaced items are stocked by your distributor and will be sent to you when your order is received. Other parts will be ordered, by your distributor, from Henny Penny Corporation. Normally, these will be sent to your distributor within three working days.

3.6 WARRANTY

All replacement parts (except lamps and fuses) are warranted for 90 days against manufacturing defects and workmanship. If damage occurs during shipping, notify the carrier at once so that a claim may be properly filed. Refer to warranty in the front of this manual for other rights and limitations.

3.7 RECOMMENDED SPARE PARTS FOR DISTRIBUTORS

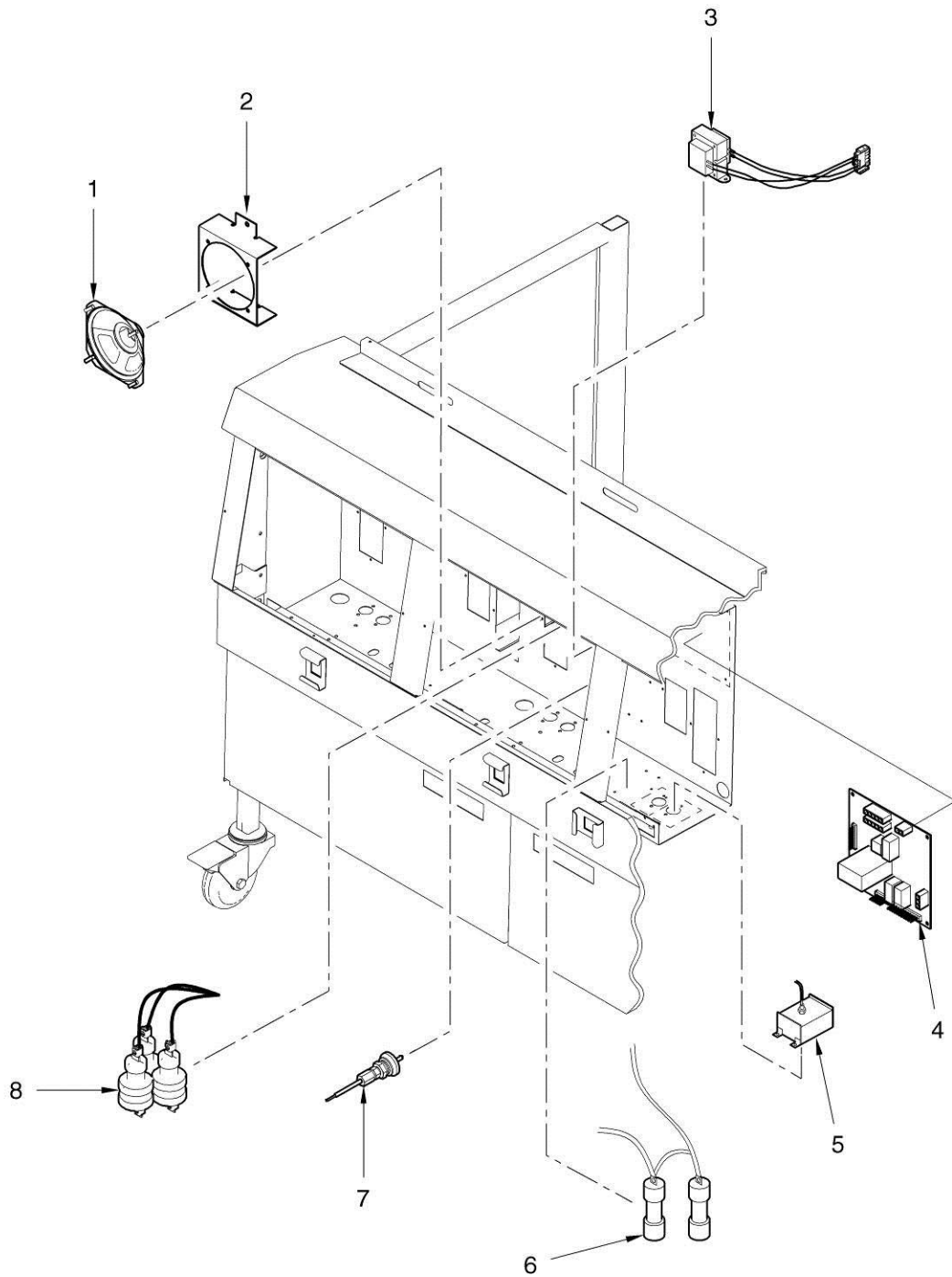
Recommended replacement parts, stocked by your distributor, are indicated with √ in the parts lists. Please use care when ordering recommended parts, because all voltages and variations are marked. Distributors should order parts based upon common voltages and equipment sold in their territory.



Gas Heat

| ITEM NO. | PART NO. | DESCRIPTION | QTY. PER UNIT | | |
|----------|----------|--|---------------|-----|-----|
| | | | 321 | 322 | 323 |
| | GAS HEAT | | | | |
| 1 | 14936 | KIT - IGNITION MODULE- CE (SN:BN0712013 & BELOW) | 1 | 2 | 3 |
| √ 1 | 77602 | IGNITION MODULE- CE (SN:BN0712014 & ABOVE) | 1 | 2 | 3 |
| √ 1 | 14935 | KIT-IGNITION MDL-NON-CE (SN:BN0803028 & BELOW) | 1 | 2 | 3 |
| √ 1 | 77839 | IGNITION MDL- NON-CE (SN:BN0803029 & ABOVE) | 1 | 2 | 3 |
| √ 2 | 60430RB | I/O BOARD ASSY. (BELOW SN: BN0908013/ BP0908001) (BELOW SN: BB0908001/ BA0908015) | 1 | 2 | 3 |
| √ 2 | 27286RB | I/O BOARD ASSY. (SN: BN0908013/ BP0908001 & ABOVE) (SN: BB0908001/ BA0908015 & ABOVE) | 1 | 2 | 3 |
| √ 3 | 14994 | KIT – OFG32X- FULL - PROBE | 1 | 2 | 3 |
| 4 | 60266 | TEE STYLE PILOT ASSY-NAT. (SN: BN0903010 & BELOW) | 1 | 2 | 3 |
| 4 | 76067 | TEE STYLE PILOT ASSY-NAT. (SN: BN0903011 & ABOVE) | 1 | 2 | 3 |
| 4 | 71981 | TEE STYLE PILOT ASSY-LP (SN: BN0903010 & BELOW) | 1 | 2 | 3 |
| 4 | 81836 | TEE STYLE PILOT ASSY-LP. (SN: BN0903011 & ABOVE) | 1 | 2 | 3 |
| √ 5 | 60292 | PILOT FLAME SENSOR (SN: BN0903010 & BELOW) | 1 | 2 | 3 |
| √ 5 | 81786 | PILOT FLAME SENSOR (SN: BN0903011 & ABOVE) | 1 | 2 | 3 |
| √ 6 | 54561 | SPEAKER ASSY. | 1 | 2 | 3 |
| √ 7 | 60207 | 120V TO 24V TRANSFORMER (GAS ONLY) | 1 | 2 | 3 |
| 8 | 60614 | PILOT ORIFICE (LPG) (SN: BN0903010 & BELOW) | 1 | 2 | 3 |
| 8 | 76505-2 | PILOT ORIFICE (LPG) (SN: BN0903011 & ABOVE) | 1 | 2 | 3 |
| 8 | 60613 | PILOT ORIFICE (NAT. GAS) (SN: BN0903010 & BELOW) | 1 | 2 | 3 |
| 8 | 76505-1 | PILOT ORIFICE (NAT. GAS) (SN: BN0903011 & ABOVE) | 1 | 2 | 3 |
| 9 | 69441 | TUBE, ¼ X 10 FLEX SS - PILOT | 1 | 2 | 3 |
| 9 | 69450 | TUBE, ¼ X 15 FLEX SS - PILOT | 1 | 2 | 3 |
| 10 | 69443 | TUBE, 3/8 X 18 FLEX SS - BURNER | 1 | 2 | 3 |
| 11 | 64055-02 | BURNER ORIFICE (LPG) | 2 | 4 | 6 |
| 11 | 64055-06 | BURNER ORIFICE (NAT. GAS) | 2 | 4 | 6 |
| 12 | 70812 | TUBE MANIFOLD | 1 | 2 | 3 |
| 13 | 60513 | INSULATION, FRONT | 1 | - | - |
| 13 | 60461 | INSULATION, FRONT | - | 1 | - |
| 13 | 60183 | INSULATION, FRONT | - | - | 1 |
| 14 | WA02-001 | WASHER | 3 | 6 | 9 |
| 15 | 60808 | BOLT – U - 2-1/4 X 1-1/4 | 1 | 2 | 3 |
| 16 | 70877 | BRACKET – GAS LINE – RH | 1 | 2 | 3 |
| 17 | 70878 | BRACKET – GAS LINE – LH | 1 | 2 | 3 |
| 18 | NS02-002 | NUT – KEPS - ¼-20 C | 4 | 8 | 12 |
| √ 19 | 60241 | 425° HIGH LIMIT ASSY. | 1 | 2 | 3 |
| 20 | 60032 | BURNER – INSHOT | 2 | 4 | 6 |
| 21 | 60395-02 | ASSY– BURNER/PILOT–LP (W/64055-02 ORIFICE) (SN: BN0903010 & BELOW) | 1 | 2 | 3 |
| 21 | 81787-02 | ASSY– BURNER/PILOT–LP (W/64055-02 ORIFICE) (SN: BN0903011 & ABOVE) | 1 | 2 | 3 |
| 21 | 60395-06 | ASSY– BURNER/PILOT–NAT (W/64055-06 ORIFICE) (SN: BN0903010 & BELOW) | 1 | 2 | 3 |
| 21 | 81787-06 | ASSY– BURNER/PILOT–NAT (W/64055-06 ORIFICE) (SN: BN0903011 & ABOVE) | 1 | 2 | 3 |
| *22 | 79185 | HARNES - FLAME SENSOR WIRE | 1 | 2 | 3 |

√ recommended parts/*not shown



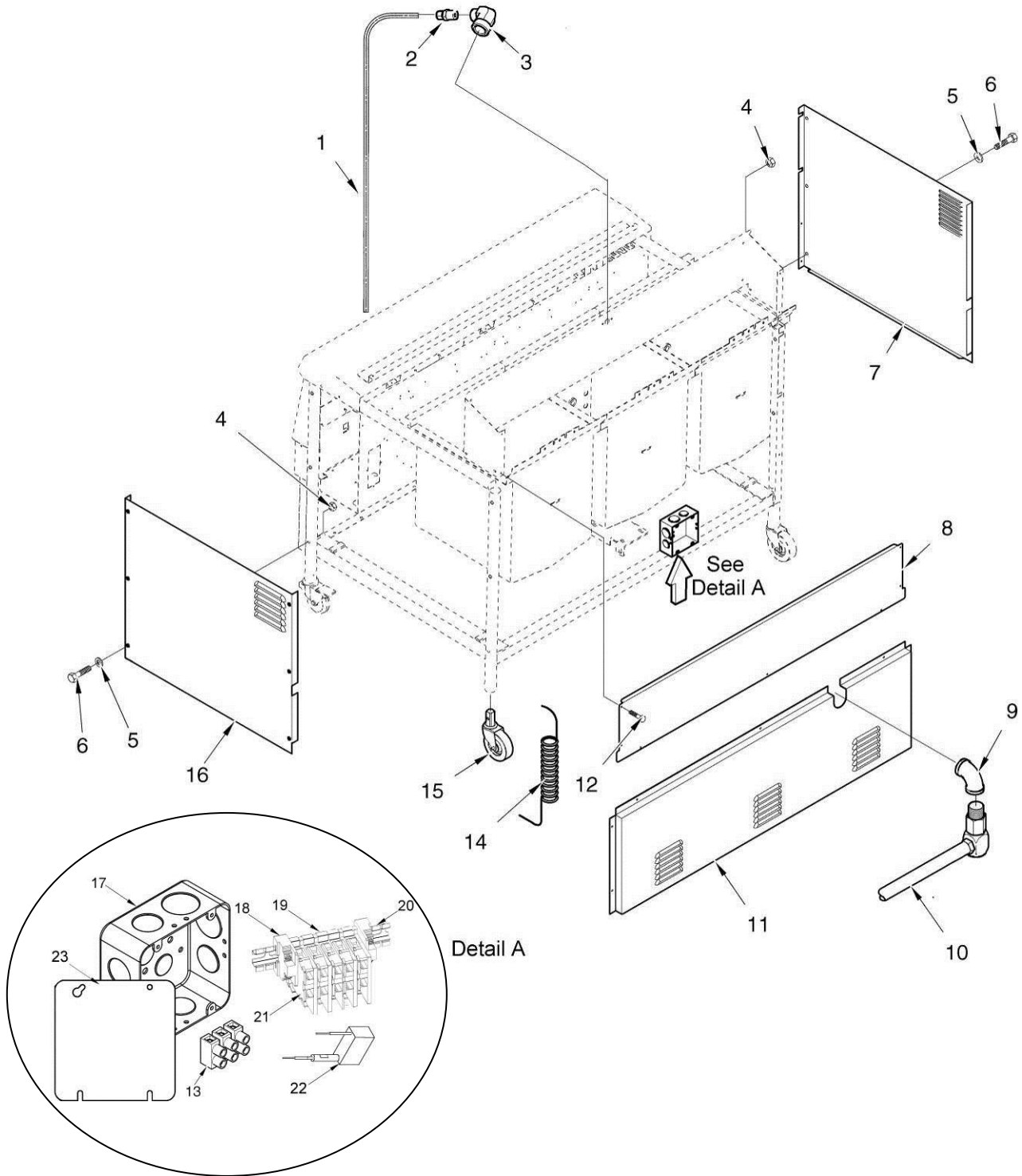
Electric Heat Controls

| PART NO. ITEM NO. | DESCRIPTION | QTY. PER UNIT | | |
|----------------------|--|---------------|-----|-----|
| | | 321 | 322 | 323 |
| | ELECTRIC HEAT CONTROLS | | | |
| √ 1 | 54561 SPEAKER ASSY. | 1 | 2 | 3 |
| √ 1 | 26863 SPEAKER ASSY. (CFA ONLY) | 1 | 2 | 3 |
| 2 | 60781 SPEAKER BRACKET ASSY. (ELEC. ONLY) | 1 | 2 | 3 |
| 2 | 24916 SPEAKER BRACKET ASSY. (CFA ONLY) | 1 | 2 | 3 |
| √ 3 | 60536 24V/230V TRANSFORMER ASSY. (ELEC. & INT'L. GAS) | 1 | 2 | 3 |
| √ 4 | 60430RB I/O BOARD ASSY. (SN: BA0908014 & BELOW) (CFA USES 27286RB) | 1 | 2 | 3 |
| √ 4 | 80998RB I/O BOARD ASSY. – SPLIT VAT | 1 | 2 | 3 |
| √ 4 | 27286RB I/O BOARD ASSY. FRYERS SN -BA0908015 & ABOVE) | 1 | 2 | 3 |
| √ 5 | 60241 425° HIGH LIMIT ASSY. | 1 | 2 | 3 |
| √ 6 | EF02-006 15A 250V FUSE HOLDER (SN: BA0608031 & below) | 2 | 4 | 6 |
| √ 6 | EF02-104 20A 250V FUSE HOLDER-CE (SN: BA0605007 to Sept. 17, 2007) | 2 | 4 | 6 |
| √ 6 | EF02-007 15 AMP FUSE (SN: BA0608031 & below) (CE UNITS BUILT SEPT. 17, 2007 & AFTER USE EF02-125) | 2 | 4 | 6 |
| 6 | EF02-105 15 AMP FUSE-CE (SN: BA0605007 to Sept. 17, 2007) (CE UNITS BUILT SEPT. 17, 2007 & AFTER USE EF02-125) | 2 | 4 | 6 |
| √ 6 | EF02-125 BREAKER-PUSH BUTTON RESET (SN: BA0608032& after) | 2 | 4 | 6 |
| √ 7 | 14776 KIT – ELECTRIC TEMP 6” PROBE – C8000 (OFE- SN: Before SN: BA0908015/ OEA-Before SN: BB0908001) | 1 | 2 | 3 |
| √ 7 | 14990 KIT – OFE32X – FULL – 3” PROBE (OFE- SN: BA0908015 & After/ OEA- SN: BB0908001 & After) | 1 | 2 | 3 |
| √ 7 | 14991 KIT – OFE32X – C1000 – SPLIT - PROBE | 1 PER VAT | | |
| √ 8 | 29510 24V MERCURY CONTACTOR-SN: BA0810019 & BEFORE (CE FRYERS USE 29510 BEFORE JAN. 1, 2003-SEE CHART BELOW) | 2 | 4 | 6 |
| √ 8 | 29509 KIT-E/M 24V CONTACTOR-PRIMARY (SN: BA0810020 & AFTER-EXCEPT WENDY’S-SEE CHART BELOW) | 1 | 2 | 3 |
| √ 8 | 65073 24V-E/M CONTACTOR-PRIMARY & SECONDARY-WENDY’S (SN: BA0810020 & ABOVE-SEE CHART BELOW) (CE FRYERS USE 65073 JAN. 1, 2003 & AFTER-SEE CHART BELOW) (ALL OTHER FRYERS USE 65073 AS SECONDARY SN: BA0810020 & ABOVE-SEE CHART BELOW) | 2 | 4 | 6 |
| √ 9* | 60810 I/O BOARD TO CONTROL CABLE - 4 PIN | 1 | 2 | 3 |
| √ 10* | 60838 TRANSFORMER -480V TO 240V | 1 | 2 | 3 |
| √ 11* | 60847 TRANSFORMER MOUNTING BRACKET | 1 | 2 | 3 |
| √ 12* | 19923 TRANSFORMER-LARGE--480V-240V (480V FRYERS) | 1 | 2 | 3 |
| 13 | 60722 BLOCK – 60 AMP FUSE (22 KW FRYERS ONLY) | 1 | 2 | 3 |
| √ 14 | 14970 FUSE – 60 AMP (22 KW FRYERS ONLY) – SET OF 3 | 1 | 2 | 3 |
| √ 15 | 24347 ASSEMBLY – CURRENT SENSE XFORMERS | 1 | 2 | 3 |
| 16* | 83421 HARN-OFG32X C8000 CONTROL | A/R | | |

√ recommended parts

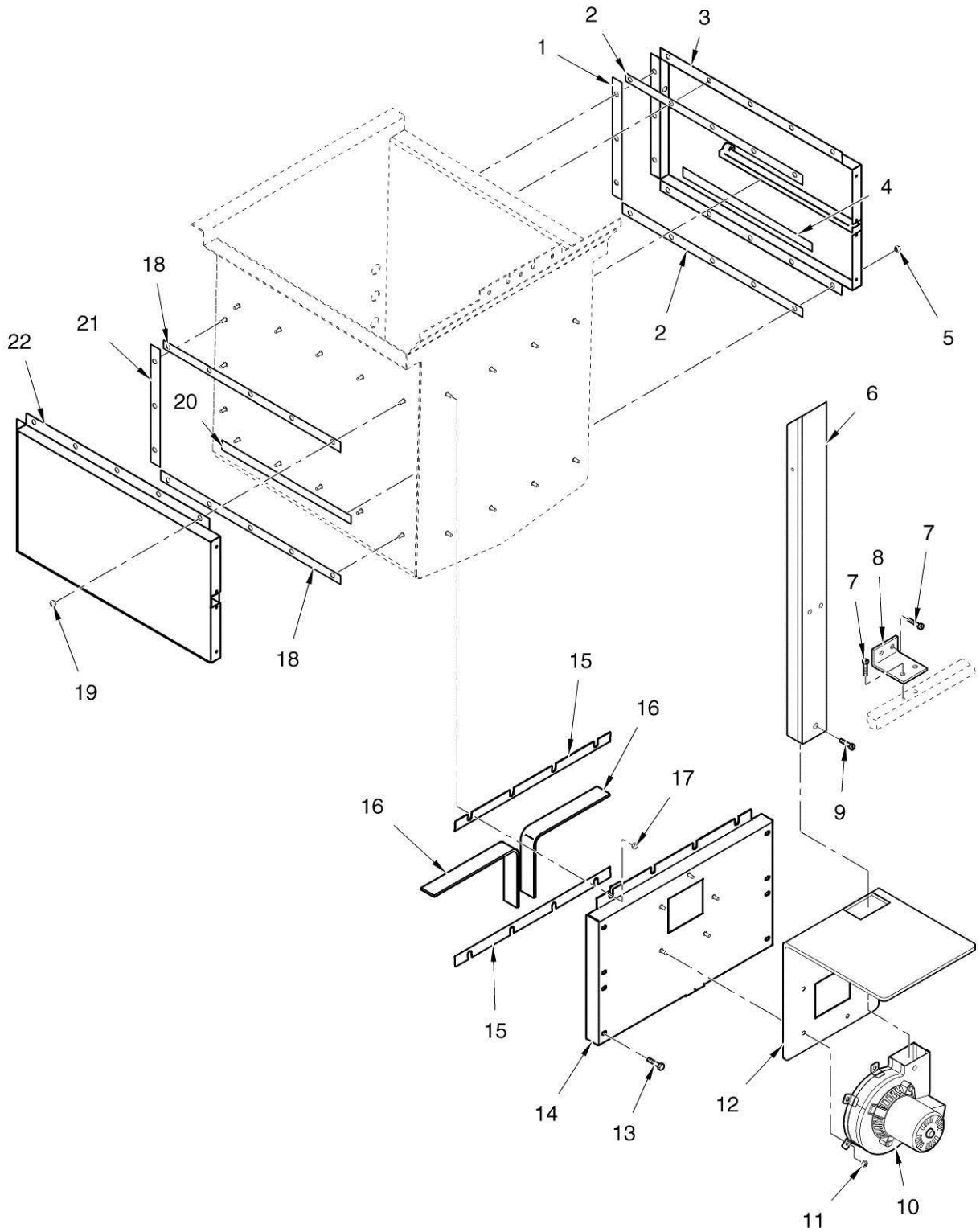
*not shown

| CONTACTORS (Quantities=per well) | | | |
|----------------------------------|----------------------------|----------------------------|----------------------------|
| | 29510 (Mercury) | 29509 (E/M) | 65073 (E/M) |
| Non-CE Fryers | SN:BA0810019 & Below-Qty 2 | SN:BA0810020 & After-Qty 1 | SN:BA0810020 & After-Qty 1 |
| CE Fryers | Before Jan. 1, 2003-Qty 2 | | Jan. 1, 2003 & After-Qty 2 |
| Wendy's | SN:BA0810019 & Below-Qty 2 | | SN:BA0810020 & After-Qty 2 |
| CFA | SN:BA0810019 & Below-Qty 1 | Quantity 1 | SN:BA0810020 & After-Qty 1 |



Side, Top, & Rear Panels

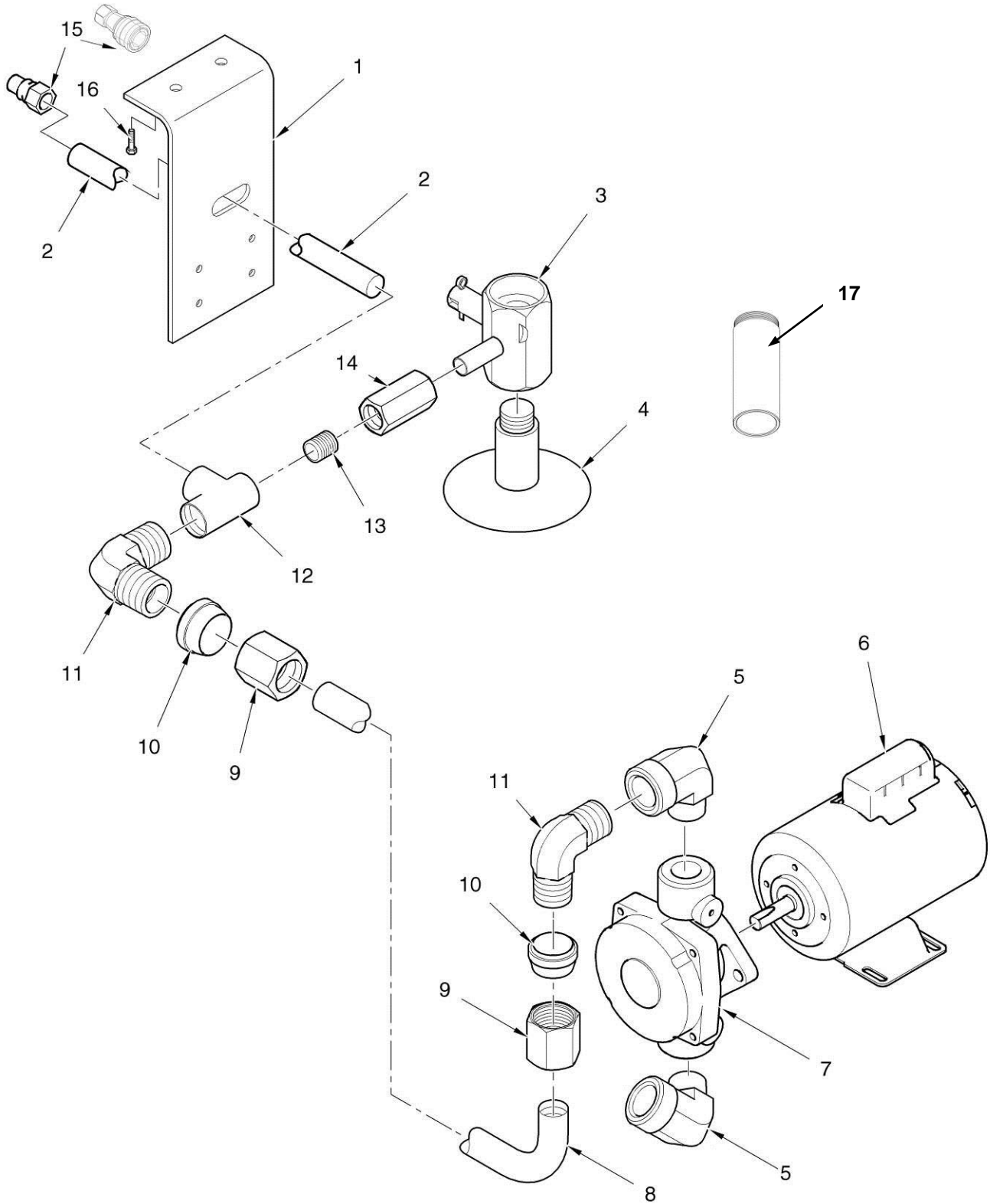
| PART NO. ITEM NO. | DESCRIPTION | QTY PER UNIT | | |
|----------------------|---|--------------|-----|-----|
| | | 321 | 322 | 323 |
| | SIDE, TOP, AND REAR PANELS | | | |
| 1 | 14854 KIT – OFG322 - 3/8 TO 5/8 RETURN RETROFIT | - | 1 | - |
| 1 | 14856 KIT – OFE322 - 3/8 TO 5/8 RETURN RETROFIT | - | 1 | - |
| 1 | 14860 KIT – OFG324 - 3/8 TO 5/8 RETURN RETROFIT | - | 1 | - |
| 1 | 14861 KIT – OFE324 - 3/8 TO 5/8 RETURN RETROFIT | - | 1 | - |
| 1 | 14862 KIT – OFX321 & 323 - 3/8 TO 5/8 RETURN RETROFIT | 1 | - | 1 |
| 1 | 60293 TUBE, OIL RETURN LINE (321 SN: BN022JB & BELOW) (323 BEFORE 12/1/06) | 1 | - | 1 |
| 1 | 71459 TUBE, OIL RETURN LINE (323 – 12/1/06 & AFTER) | - | - | 1 |
| 1 | 60504 TUBE, OIL RETURN LINE (322 & 324 BEFORE 12/1/06) | - | 1 | - |
| 1 | 71471 TUBE, OIL RETURN LINE (322 & 324 – 12/1/06 & AFTER) | - | 1 | - |
| 2 | FP01-082 CONNECTOR - 3/8 TUBE TO ½ NPT SS (321s SN: BN022JB & BELOW) | 2 | 2 | 2 |
| 3 | FP01-087 ELBOW (321s SN: BN022JB & BELOW) | 1 | 1 | 1 |
| 4 | NS02-002 NUT, END PANEL RETAINING | 6 | 6 | 6 |
| 5 | WA01-002 FLAT WASHER | 6 | 6 | 6 |
| 6 | SC01-216 SCREW | 8 | 8 | 8 |
| 7 | 60551 GM- SIDE PANEL, LH (BEFORE SN:BA0906039) GAS- BEFORE SN: BN0906050 | 1 | 1 | 1 |
| 7 | 60551 SIDE PANEL, LH-WENDY'S | 1 | 1 | 1 |
| 7 | 83216 SIDE PANEL, LH (CE) (BEFORE SN: BA0909034) | 1 | 1 | 1 |
| 8 | 60368 TOP REAR COVER (3 WELL) | - | - | 1 |
| 8 | 60471 TOP REAR COVER (2 WELL) | - | 1 | - |
| 8 | 60527 TOP REAR COVER (1 WELL) | 1 | - | - |
| 9 | FP01-098 ELBOW, MAIN GAS INLET CONNECTION | 1 | 1 | 1 |
| 10 | 60618 GAS LINE, 1/2 IN. W/DOUBLE SWIVEL (321) | 1 | - | - |
| 10 | 33501 GAS LINE, 3/4 IN. W/DOUBLE SWIVEL (322) | - | 1 | - |
| 10 | 33167 GAS LINE, 1 IN. W/DOUBLE SWIVEL (323) | - | - | 1 |
| 11 | 60369 BOTTOM REAR COVER (GAS ONLY-323) | - | - | 1 |
| 11 | 60472 BOTTOM REAR COVER (GAS ONLY-322) | - | 1 | - |
| 11 | 60528 BOTTOM REAR COVER (GAS ONLY-321) | 1 | - | - |
| 12 | SC03-005 SCREW, BOX RETAINING | 2 | 2 | 2 |
| 13 | ME50-021 TERMINAL BLOCK (GAS) | 1 | 1 | 1 |
| 13 | 63097 TERMINAL BLOCK – 2 POLE (CFA ONLY) | 1 | 1 | 1 |
| 14 | 33353 120V COILED POWER CORD (GAS ONLY) | 1 | 1 | 1 |
| 15 | 60312 CASTER 4 IN. W/O BRAKE | 2 | 2 | 2 |
| 16 | 60552 GM- SIDE PANEL, RH (BEFORE SN:BA0906039) GAS- BEFORE SN: BN0906050 | 1 | 1 | 1 |
| 16 | 60552 SIDE PANEL, RH WENDY'S | 1 | 1 | 1 |
| 16 | 83217 SIDE PANEL, RH(CE) (BEFORE SN: BA0909034) | 1 | 1 | 1 |
| 17 | 19707 BOX – JUNCTION | 1 | 1 | 1 |
| 18 | 18135 END CLAMP (OFE/OEA) | 2 | 2 | 2 |
| 19 | 18127 TERMINAL BLOCK (OFE/OEA) | 5 | 5 | 5 |
| 20 | 18136 TRACK – 3-1/2 INCH LONG (OFE/OEA) | 1 | 1 | 1 |
| 21 | 18128 BUCHANAN END – 230 (OFE/OEA) | 1 | 1 | 1 |
| 22 | 36012 ASSY – CAPACITOR/RESISTOR | 1 | 1 | 1 |
| 23 | 19708 COVER – JUNCTION BOX | 1 | 1 | 1 |
| 24* | 33514 CORD – TETHER, 60 IN. | 1 | 1 | 1 |
| 25* | 14972 KIT-32X LIFT (LEG EXTENSIONS & HARDWARE TO RAISE A STANDARD HEIGHT UNIT BY 2 INCHES) | 1 | 1 | 1 |



Gas Heat Ducting & Insulation

| PART NO. ITEM NO. | DESCRIPTION | QTY. PER UNIT | | | |
|-------------------------------|-------------|---|-----|-----|----|
| | | 321 | 322 | 323 | |
| GAS HEAT DUCTING & INSULATION | | | | | |
| 1 | 60181 | INSULATION, LH DUCT, FRONT & REAR | 2 | 4 | 6 |
| 2 | 60180 | INSULATION, LH DUCT, TOP & BOTTOM | 2 | 4 | 6 |
| 3 | 60387 | LH SIDE FLUE DUCT ASSY. | 2 | 4 | 6 |
| 4 | 60182 | INSULATION, LH DUCT, DIVIDER | 1 | 2 | 3 |
| 5 | NS02-002 | NUT, LH DUCT RETAINING | 13 | 26 | 39 |
| 6 | 60159 | FLUE ASSY. | 1 | 2 | 3 |
| 7 | SC03-005 | SCREW, BRACKET RETAINING | 4 | 8 | 12 |
| 8 | 60359 | BRACKET, FLUE RETAINING | 1 | 2 | 3 |
| 9 | SC03-005 | SCREW, FLUE SECURING | 3 | 6 | 9 |
| √ 10 | 14420 | KIT - BLOWER MOTOR ASSY – 120V (GAS ONLY) | 1 | 2 | 3 |
| √ 10 | 14422 | KIT - BLOWER MOTOR ASSY – 220-240V (GAS ONLY) | 1 | 2 | 3 |
| 11 | NS02-006 | NUT, BLOWER AND SPACER RETAINING | 5 | 10 | 15 |
| 12 | 60392 | RESTRICTOR PLATE/SPACER ASSY. | 1 | 2 | 3 |
| 12 | 60523 | RESTRICTOR PLATE/SPACER ASSY. (CE) | 1 | 2 | 3 |
| 13 | SC03-005 | SCREW, BOX RETAINING | 8 | 16 | 24 |
| 14 | 60338 | COLLECTOR BOX ASSY. | 1 | 2 | 3 |
| 15 | 60179 | INSULATION, BOX TOP & BOTTOM | 2 | 4 | 6 |
| 16 | 60373 | INSULATION, BOX BAFFLE | 2 | 4 | 6 |
| 17 | NS02-006 | NUT, BOX RETAINING | 4 | 8 | 12 |
| 18 | 60180 | INSULATION, RH DUCT, TOP & BOTTOM | 2 | 4 | 6 |
| 19 | NS02-002 | NUT, RH DUCT RETAINING | 13 | 26 | 39 |
| 20 | 60182 | INSULATION, RH DUCT, DIVIDER | 1 | 2 | 3 |
| 21 | 60181 | INSULATION, RH DUCT, FRONT & REAR | 2 | 4 | 6 |
| 22 | 60386 | RH SIDE FLUE DUCT ASSY. | 2 | 4 | 6 |

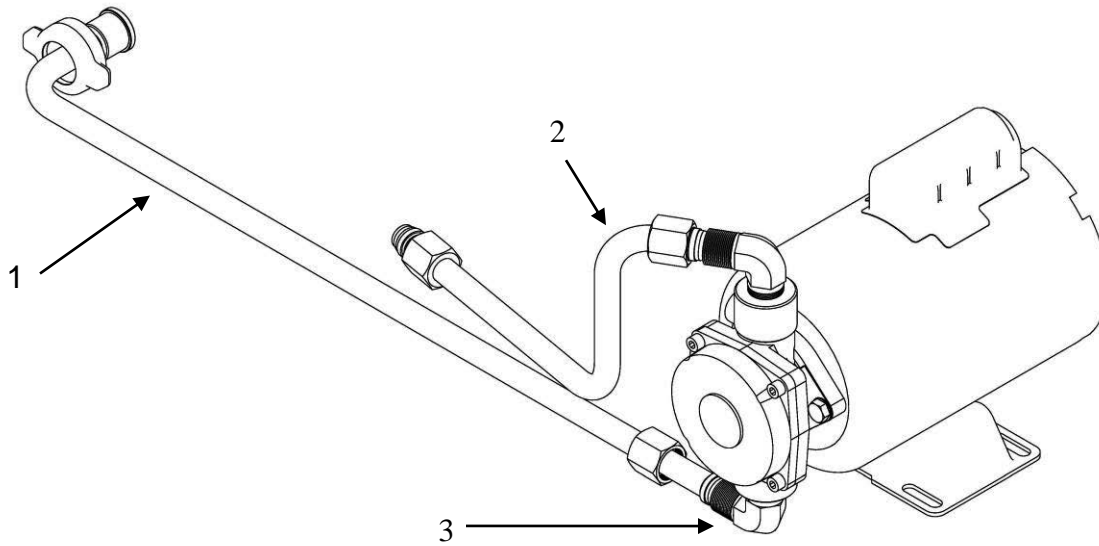
√ recommended parts



Oil Filtering System

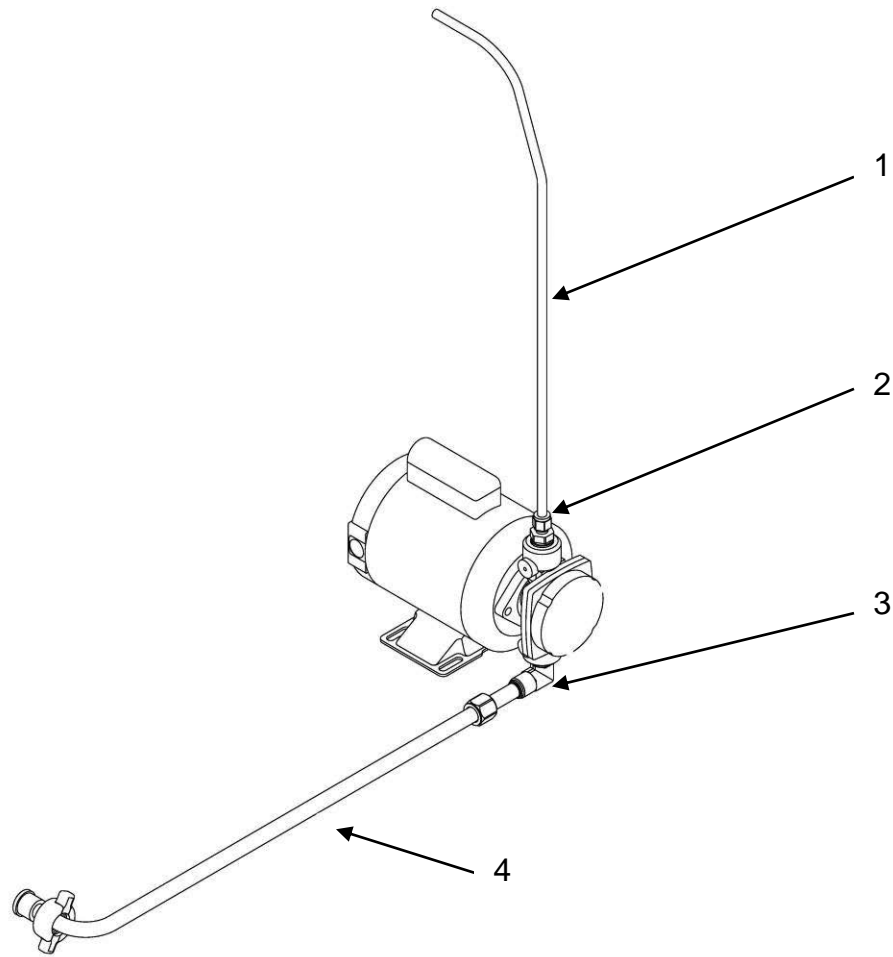
| PART NO. ITEM NO. | DESCRIPTION | QTY. PER UNIT | | |
|----------------------|---|---------------|-----|-----|
| | | 321 | 322 | 323 |
| 3-5 | OIL FILTERING SYSTEM | | | |
| 1 | 66005 FRONT PLATE | 1 | - | - |
| 2 | 17320 PIPE, FRONT (BN023JB & AFTER) | 1 | - | - |
| 3 | 55152 DRAIN VALVE & COUPLING ASSY. | 1 | 2 | 3 |
| 4 | 60388 DRAIN VALVE EXTENSION (GAS) (321, (SN: BN022JB & BELOW; 322 & 323, SN: GN045JB & BELOW) | 1 | 2 | 3 |
| 4 | 60736 DRAIN VALVE EXT. (ELECT.) (SN: GM024JB & BELOW) | 1 | 2 | 3 |
| 4 | 24643 DRAIN VALVE EXT. (ELECT.) (SN: GM025JB & ABOVE) | 1 | 2 | 3 |
| 4 | 24420 DRAIN VALVE EXTENSION – OFG-322/323 (GAS-SN: GN046JB & ABOVE) | - | 2 | 3 |
| 4 | 23839 DRAIN VALVE EXTENSION (OFG-321, SN: BN023JB & ABOVE) | 1 | - | - |
| 5 | 16239 ELBOW, FILTER PUMP | 2 | - | - |
| 6 | 67589 ASSY – FILTER PUMP & MOTOR | | | |
| √ 6 | 67583 FILTER PUMP MOTOR, 1/2 HP | 1 | 1 | 1 |
| 7 | 17437 FILTER PUMP | 1 | 1 | 1 |
| 8 | 26966 ASSY – POT TO PUMP TUBE – OFE-321 | 1 | - | - |
| 8 | 24257 ASSY – POT TO PUMP TUBE – OFG-321 | 1 | - | - |
| 9 | 16809 NUT, FILTER TO VALVE TUBE | 2 | - | - |
| 10 | 16808 FERRULE, FILTER TO VALVE TUBE | 2 | - | - |
| 11 | 17407 ELBOW, FILTER PUMP TUBE | 1 | - | - |
| 12 | 17306 TEE | 1 | - | - |
| 13 | FP02-001 NIPPLE | 1 | - | - |
| √ 14 | 17308 VALVE, FILTER | 1 | - | - |
| 15 | 17334 QUICK CONNECT FITTING - MALE | 1 | - | - |
| 15 | 17333 QUICK CONNECT FITTING - FEMALE | 1 | - | - |
| 16 | SC03-005 SCREW, PLATE RETAINING | 2 | - | - |
| 17 | 78384 EXTENSION – 321 SPLIT VAT – DRAIN | 1 | - | - |

√ recommended parts



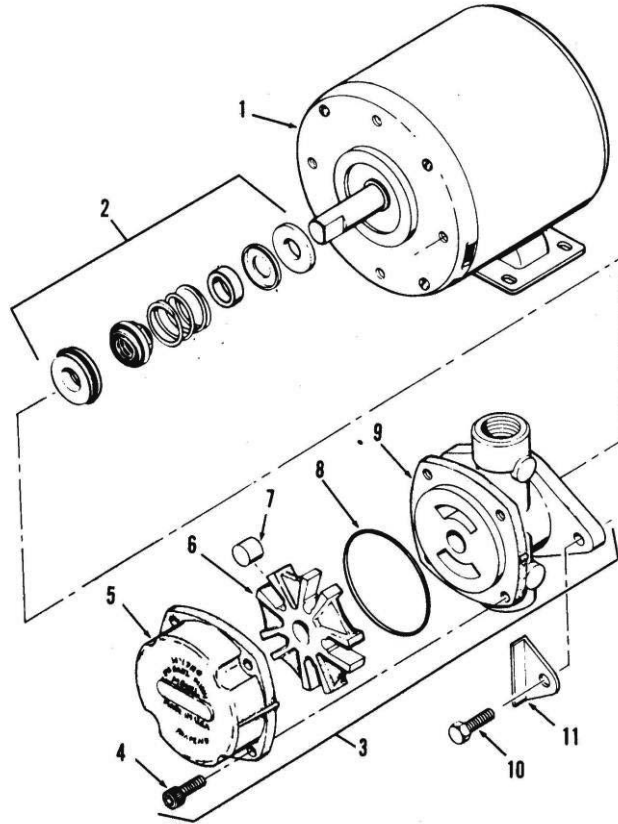
Assy- Pump Motor/Tubing-OFG321

| PART NO. ITEM NO. | DESCRIPTION | QTY. PER UNIT 321 |
|------------------------------|--|------------------------------|
| 1 60442 | ASSY-TUBE FILTER TO PUMP Gas (Before SN: BN1105020 | 1 |
| 1 91600 | ASSY- BENT TUBE FILTER TO PUMP Gas (After SN: BN1105020 | 1 |
| 2 24257 | ASSY-TUBE PUMP TO POT OFG321 | 1 |
| 3 17407 | CONNCECTOR 1/2 MALE ELBOW | 1 |



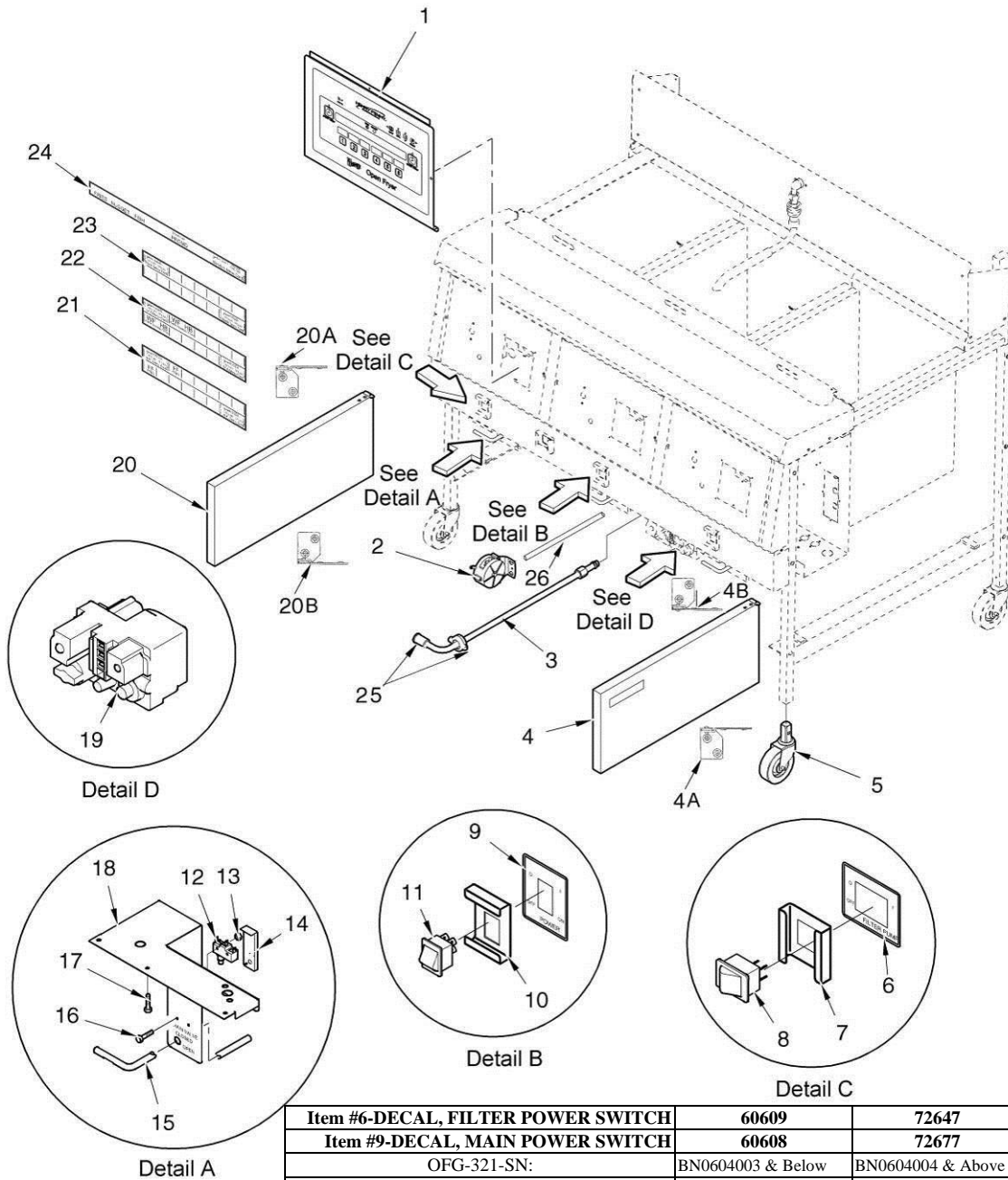
Assy-Pump Motor/Tubing 322-323

| PART NO. ITEM NO. | DESCRIPTION | QTY. PER UNIT | |
|----------------------|---|---------------|-----|
| | | 322 | 323 |
| 1 60293 | TUBE-OIL RETURN LINE | 1 | 1 |
| 2 FP01-082 | CONNECTOR - 3/8 TUBE TO ½ NPT SS | | |
| 3 17407 | ELBOW, FILTER PUMP TUBE | 1 | 1 |
| 4 60442 | ASSY-TUBE FILTER TO PUMP | 1 | 1 |
| 5* 91600 | Gas (Before SN: BN1105020) Electric (Before SN: BN1105020) ASSY- BENT TUBE FILTER TO PUMP Gas (After SN: BN1105020) Electric (After SN:BA1105017) | 1 | 1 |



Oil Filtering System

| PART NO. ITEM NO. | DESCRIPTION | QTY. PER UNIT |
|------------------------------|--------------------------|----------------------|
| √1 67583 | MOTOR, 1/2 HP - 50/60 Hz | 1 |
| √2 17476 | SEAL KIT | 1 |
| √3 17437 | PUMP ASSEMBLY | 1 |
| √4 SC01-132 | SCREW, Pump Cover | 1 |
| √5 17451 | COVER, Pump | 1 |
| √6 17447 | ROTOR, Pump | 1 |
| √7 17446 | ROLLER, Pump | 5 |
| √8 17453 | O-RING | 1 |
| √9 17454 | BODY, Pump | 1 |
| √10 17456 | SHIELD, Pump | 2 |
| √11 SC01-026 | SCREW, Pump Shield | 1 |



| Item #6-DECAL, FILTER POWER SWITCH | 60609 | 72647 |
|---|--------------------|-------------------|
| Item #9-DECAL, MAIN POWER SWITCH | 60608 | 72677 |
| OFG-321-SN: | BN0604003 & Below | BN0604004 & Above |
| OGA-321-SN: | Below SN BP0604001 | BP0604001 & Above |
| OFE-321-SN: | BA0604010 & Below | BA0604011 & Above |
| OEA-321-SN: | BB0604002 & Below | BB0604003 & Above |
| OFG-322-SN: | BN0604004 & Below | BN0604005 & Above |
| OGA-322-SN: | BP0605006 & Below | BP0605007 & Above |
| OFE-322-SN: | BA0604001 & Below | BA0604002 & Above |
| OEA-322-SN: | - | - |
| OFG-323-SN: | BN0604014 & Below | BN0604015 & Above |
| OGA-323-SN: | - | - |
| OFE-323-SN: | - | - |
| OEA-323-SN: | - | - |

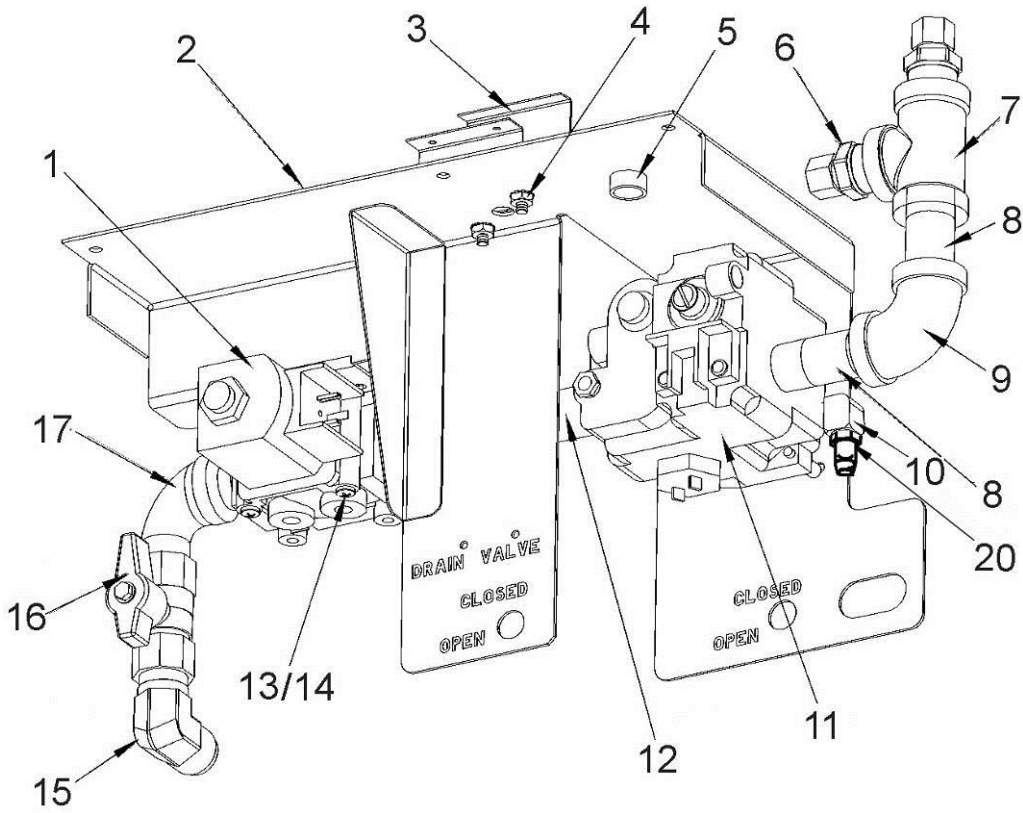
Door, Switches, Menu Card, & Control Board

3-15

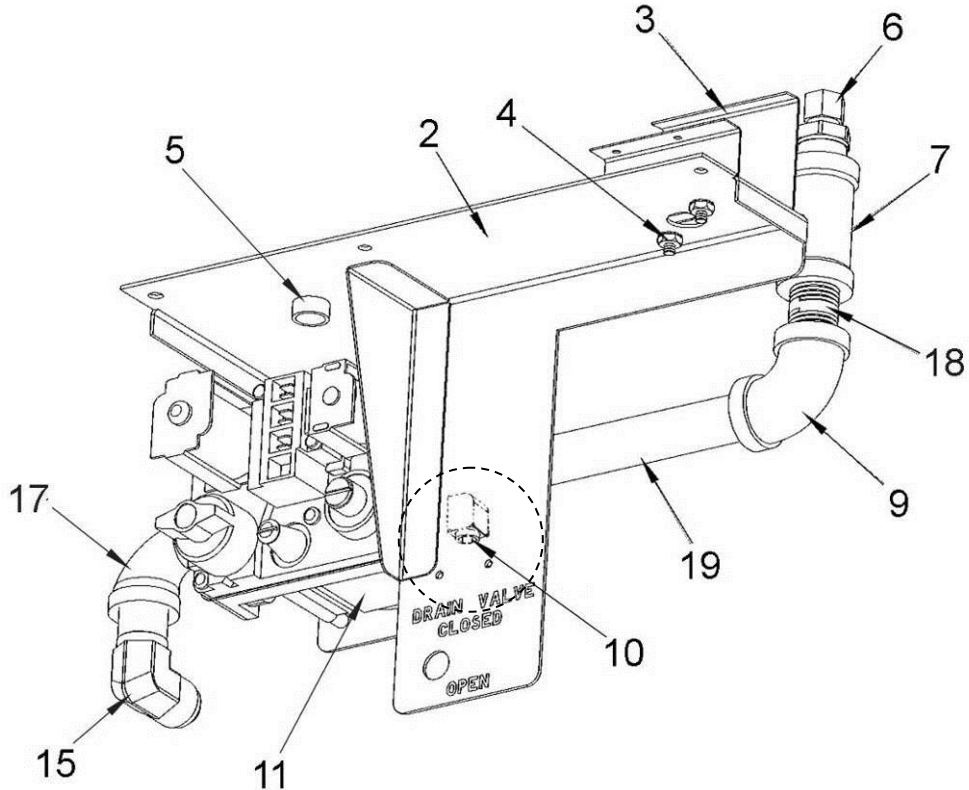
806

| PART NO. ITEM NO. | DOOR, SWITCHES, MENU CARD, & CONTROL BOARD | DESCRIPTION | QTY. PER UNIT | | |
|----------------------|--|---|---------------|-----|-----|
| | | | 321 | 322 | 323 |
| √ 1 | 60603RB | 6 TIMER CONTROL BOARD ASSY. | 1 | 2 | 3 |
| √ 1 | 69058RB | 6 TIMER CONTROL BOARD ASSY. (CAFÉ EXPRESS) | 1 | 2 | 3 |
| √ 1 | 60796RB | 12 TIMER CONTROL BOARD ASSY. | 1 | 2 | 3 |
| √ 1 | 67924RB | 12 TIMER CONTROL BOARD ASSY. (CFA ONLY) | 1 | 2 | 3 |
| √ 1 | 69704RB | 12 TIMER CONTROL BOARD ASSY.(POLLO CAMPERO ONLY) | 1 | 2 | 3 |
| √ 1 | 14949 | ASSY – C1000 CONTROL | 1 | 2 | 3 |
| √ 1 | 81067RB | ASSY - C8000 CONTROL – SPLIT VAT | 1 | 2 | 3 |
| - | 60586 | DECAL - CONTROL, OFG-320 (WENDY'S 6 TIMER) | 1 | 2 | 3 |
| - | 61481 | DECAL-OFG 12 BUTTON GM | 1 | 2 | 3 |
| 2 | 14894 | KIT - OFG 32X VAC SWITCH REPLACE (GAS ONLY) | 1 | 2 | 3 |
| 3 | 60442 | FILTER TO PUMP TUBE ASSY(321-SN:BN023JB & ABOVE) | 1 | 1 | 1 |
| 4 | 71879 | RIGHT DOOR ASSY. (3 WELL) | - | - | 1 |
| 4 | 71874 | RIGHT DOOR ASSY. (2 WELL) | - | 1 | - |
| 4A | 17618 | HINGE – DOOR – TOP | 1 | 1 | 1 |
| 4B | 17620 | HINGE – DOOR – BOTTOM | 1 | 1 | 1 |
| 5 | 52064 | 4 IN. SWIVEL CASTER W/ BRAKE | 2 | 2 | 2 |
| 6 | | SEE CHART ON PREVIOUS PAGE | 1 | 1 | 1 |
| 7 | 60844 | SWITCH GUARD, FILTER SWITCH | 1 | 1 | 1 |
| √ 8 | 72277 | FILTER SWITCH | 1 | 1 | 1 |
| 9 | | SEE CHART ON PREVIOUS PAGE | 1 | 2 | 3 |
| 10 | 60844 | SWITCH GUARD, POWER SWITCH | 1 | 2 | 3 |
| √ 11 | 72277 | POWER SWITCH ASSY. | 1 | 2 | 3 |
| √ 11 | 52224 | COVERED POWER SWITCH (CE) | 1 | 2 | 3 |
| 12 | 14681 | KIT – OFE-321 N/O DRAIN SWITCH | 1 | - | - |
| 12 | 14682 | KIT – OFG-321 N/O DRAIN SWITCH | 1 | - | - |
| 12 | 14650 | KIT – OFG-322 & 323 N/O DRAIN SWITCH | - | 2 | 3 |
| 12 | 14651 | KIT – OFE-322 & 323 N/O DRAIN SWITCH | - | 2 | 3 |
| √ 12 | 18227 | DRAIN MICROSWITCH | 1 | 2 | 3 |
| 13 | NS02-005 | NUT | 2 | 4 | 6 |
| 14 | 59224 | DRAIN SWITCH COVER - GAS | 1 | 2 | 3 |
| 15 | 18818 | DRAIN VALVE EXTENSION ROD | 1 | 2 | 2 |
| 15 | 74193 | ROD – N/O 320 DRAIN –OFE-32X (USED ON OFG-32X SN: BN0901008 & BELOW) | 1 | 2 | 3 |
| 15 | 80981 | ROD–N/O OFG-32X DRAIN (SN: BN0901009 & ABOVE) | 1 | 2 | 3 |
| 16 | SC01-058 | SCREWS, COVER & BRACKET RETAINING (6-32 X 1.5 IN.) | 2 | 4 | 6 |
| 17 | SC03-005 | SCREWS, BRACKET RETAINING | 2 | 4 | 6 |
| 18 | 66006 | DRAIN SWITCH BRKT -GAS (SN: BN0901008 & BELOW) | 1 | 2 | 3 |
| 18 | 80985 | DRAIN SWITCH BRKT -GAS (SN: BN0901009 & ABOVE) | 1 | 2 | 3 |
| 18 | 60718 | DRAIN SWITCH BRACKET (ELECTRIC HEAT) | 1 | 2 | 3 |
| 18 | 24802 | DRAIN SWITCH BRACKET – OFE- 321 | 1 | - | - |
| √ 19 | 140039 | KIT-24V NAT. GAS VALVE (SN: BN0901008 & BELOW) - 321 | 1 | - | - |
| √ 19 | 140040 | KIT-24V NAT. GAS VALVE (SN: BN0901008 & BELOW)-322/323 | - | 2 | 3 |
| √ 19 | 80761 | 24V NATURAL GAS VALVE (SN: BN0901009& ABOVE) | 1 | 2 | 3 |
| √ 19 | 60632 | 24V NATURAL GAS VALVE (CE) | 1 | 2 | 3 |
| √ 19 | 140039 | KIT-24V LP GAS VALVE (SN: BN0901008 & BELOW) - 321 | 1 | - | - |
| √ 19 | 140040 | KIT-24V LP GAS VALVE (SN: BN0901008 & BELOW) - 322/323 | - | 2 | 3 |
| √ 19 | 80858 | 24V LP GAS VALVE (SN: BN0901000 & ABOVE) | 1 | 2 | 3 |
| √ 19 | 60633 | 24V LP GAS VALVE (CE) | 1 | 2 | 3 |

| 614 | | | 3-16 | | |
|------|------------------------------|---|------|---|---|
| 20 | 71880 | LEFT DOOR ASSY. (3 WELL) | - | - | 1 |
| 20 | 71875 | LEFT DOOR ASSY. (2 WELL) | - | 1 | - |
| 20 | 71870 | DOOR ASSY. (1 WELL) | 1 | - | - |
| 20A | 17618 | HINGE – DOOR – TOP | 1 | 1 | 1 |
| 20B | 17620 | HINGE – DOOR – BOTTOM | 1 | 1 | 1 |
| 21 | 59565 | GM MENU CARD | 1 | 2 | 3 |
| 22 | 61724 | CFA MENU CARD | 1 | 2 | 3 |
| 23 | 59566 | BLANK MENU CARD | 1 | 2 | 3 |
| 23 | 69227 | MENU CARD - POLLO | 1 | 2 | 3 |
| 24 | 60682 | WENDYS MENU CARD | 1 | 2 | 3 |
| 24 | 14902 | KIT – OFX WENDY’S BRKFST MENU STR | 1 | 1 | 1 |
| 24 | 14997 | KIT – 320 WENDY’S MENU STRIPS | 1 | 1 | 1 |
| √ 25 | 69289 | ASSY – FILTER UNION | 1 | 1 | 1 |
| 26 | 60202 | TUBE – VACUUM SWITCH | 1 | 1 | 1 |
| 27* | 18911 | FILTER VALVE HANDLE (1 WELL UNITS) | 1 | - | - |
| 28* | 14260 | OFG NATURAL TO LP CONV. KIT | 1 | 2 | 3 |
| 29* | 14261 | OFG LP TO NATURAL CONV. KIT | 1 | 2 | 3 |
| 29* | 14649 | OFG LP TO 13A NATURAL CONV. KIT | 1 | 2 | 3 |
| 30* | 17002 | DOOR MAGNET | 1 | 2 | 2 |
| 31* | 59230 | BRKT – MAGNET | 1 | 2 | 2 |
| 32* | SC03-005 | SCREWS | 2 | 4 | 4 |
| 33* | 65101 | SHIELD – OPEN WELL MOTOR SPLASH | 1 | 1 | 1 |
| 34* | 140006 | KIT- OFG-OFE- MENU CARD & TOOL- WENDY’S | 1 | 1 | 1 |
| √ | recommended parts/*not shown | | | | |



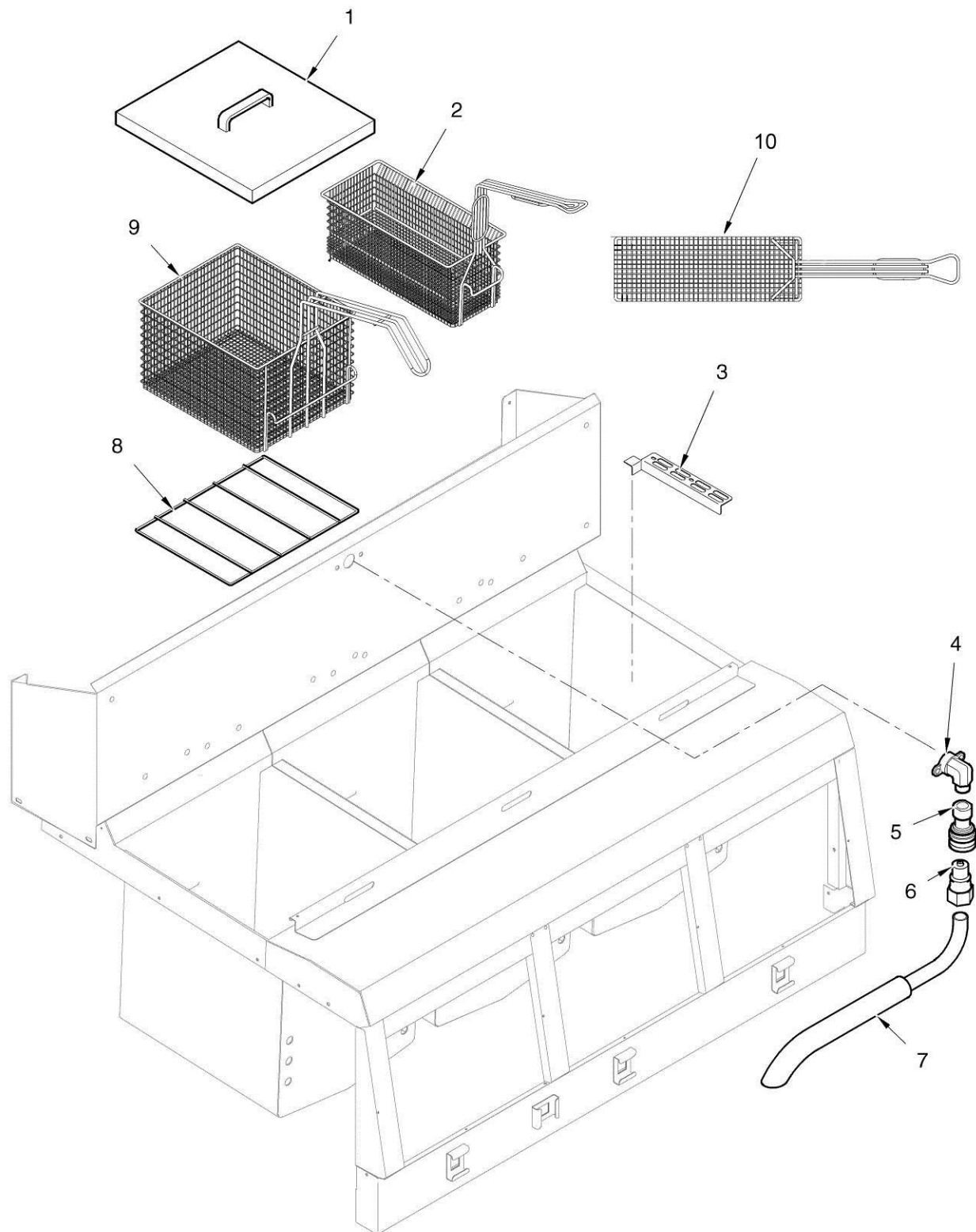
CE Gas Valve Assembly



Standard Gas Valve Assembly

| PART NO. ITEM NO. | DESCRIPTION | QTY. PER UNIT | | | |
|----------------------|--------------------------------|--|-----|-----|---|
| | | 321 | 322 | 323 | |
| GAS VALVE ASSEMBLIES | | | | | |
| 1 | 34802 | VALVE – SOLENOID-24V - 50-60 HZ | 1 | 2 | 3 |
| 2 | 66006 | WELD ASSY-GAS VALVE BRKT (SN: BN0901008 & BELOW) | - | 2 | 3 |
| 2 | 80985 | WELD ASSY-GAS VALVE BRKT (SN: BN0901009 & ABOVE) | - | 2 | 3 |
| 2 | 66004 | WELD ASSY – GAS VALVE BRACKET – OFG-321 (SN: BN0901008 & BELOW) | 1 | - | - |
| 2 | 81001 | WELD ASSY – GAS VALVE BRACKET – OFG-321 (SN: BN0901009 & ABOVE) | 1 | - | - |
| 2 | 66007 | WELD ASSY – GAS VALVE BRACKET (CE) | - | 2 | 3 |
| 2 | 66009 | WELD ASSY – GAS VALVE BRACKET (CE)–OFG-321 | 1 | - | - |
| 3 | 17216 | ASSY – BRACKET – HIGH LIMIT | 1 | 2 | 3 |
| 3 | 60520 | ASSY – BRACKET – HIGH LIMIT (CE) | 1 | 2 | 3 |
| 4 | NS02-001 | NUT – HEX KEPS - #10-32 C | 2 | 4 | 6 |
| 5 | EF02-106 | BUSHING – SNAP – ½ ID PLASTIC | 1 | 2 | 3 |
| 6 | FP01-115 | CONNECTOR – 3/8 TUBE TO ½ NPT BR | 2 | 4 | 6 |
| 7 | FP01-112 | ½ NPT FEMALE PIPE TEE BI | 1 | 2 | 3 |
| 8 | FP02-018 | NIPPLE – ½ NPT X 2.00L BI | 2 | 4 | 6 |
| 9 | FP01-090 | ELBOW – ½ NPT X 90 FEMALE BI | 1 | 2 | 3 |
| 10 | FP01-014 | ELBOW – 1/8 INCH Z | 1 | 2 | 3 |
| 11 | 140039 | KIT - NAT. GAS VALVE (SN: BN0901008 & BELOW) - 321 | 1 | - | - |
| 11 | 140040 | KIT-NAT GAS VALVE (SN: BN0901008 & BELOW)-322/323 | - | 2 | 3 |
| 11 | 80761 | 24V NAT. GAS VALVE (SN: BN0901009 & ABOVE) | 1 | 2 | 3 |
| 11 | 60632 | 24V NATURAL GAS VALVE (CE) | 1 | 2 | 3 |
| 11 | 140039 | KIT-LP GAS VALVE (SN: BN0901008 & BELOW) - 321 | 1 | - | - |
| 11 | 140040 | KIT-LP GAS VALVE (SN: BN0901008 & BELOW) - 322/323 | - | 2 | 3 |
| 11 | 80858 | 24V LP GAS VALVE (SN: BN0901009 & ABOVE) | 1 | 2 | 3 |
| 11 | 60633 | 24V LP GAS VALVE (CE) | 1 | 2 | 3 |
| 11 | 68245(N/A) (USE 60496-002) | HONEYWELL-24V UNREG. GAS VALVE (FRANCE) | 1 | 2 | 3 |
| 12 | FP02-020 | NIPPLE ½ NPT X 5 LG PIPE SS | 1 | 2 | 3 |
| 13 | SC01-175 | SCREW - #8-32 X 2.00 PH PHD SS | 2 | 4 | 6 |
| 14 | NS02-007 | NUT – HEX KEPS - #8-32 C | 2 | 4 | 6 |
| 15 | 16336 | ELBOW – MALE | 1 | 2 | 3 |
| 16 | 45401 | VALVE – ½ INCH GAS BALL | 1 | 2 | 3 |
| 17 | FP01-088 | ELBOW – STREET ½ X 90 BI | 1 | 2 | 3 |
| 18 | FP01-022 | ½ NPT PIPE NIPPLE – 1-1/2 L | 1 | 2 | 3 |
| 19 | FP02-029 | NIPPLE-½ NPT X 7 IN. LONG BI (SN: BN0901008 & BELOW) | 1 | 2 | 3 |
| 19 | FP02-065 | NIPPLE-½ NPT X 8 IN. LONG BI (SN: BN090100(& ABOVE) | 1 | 2 | 3 |
| 20 | 16355 | NIPPLE – PRESSURE TEST | 1 | 2 | 3 |
| *21 | SC02-045 | SCREW 8-32 X 1”-Standard Gas Valve Retaining | 2 | 4 | 6 |
| *22 | ME50-066 | SPACER 5/16” ID X 7/16”-Standard Gas Valve Retaining | 2 | 4 | 6 |

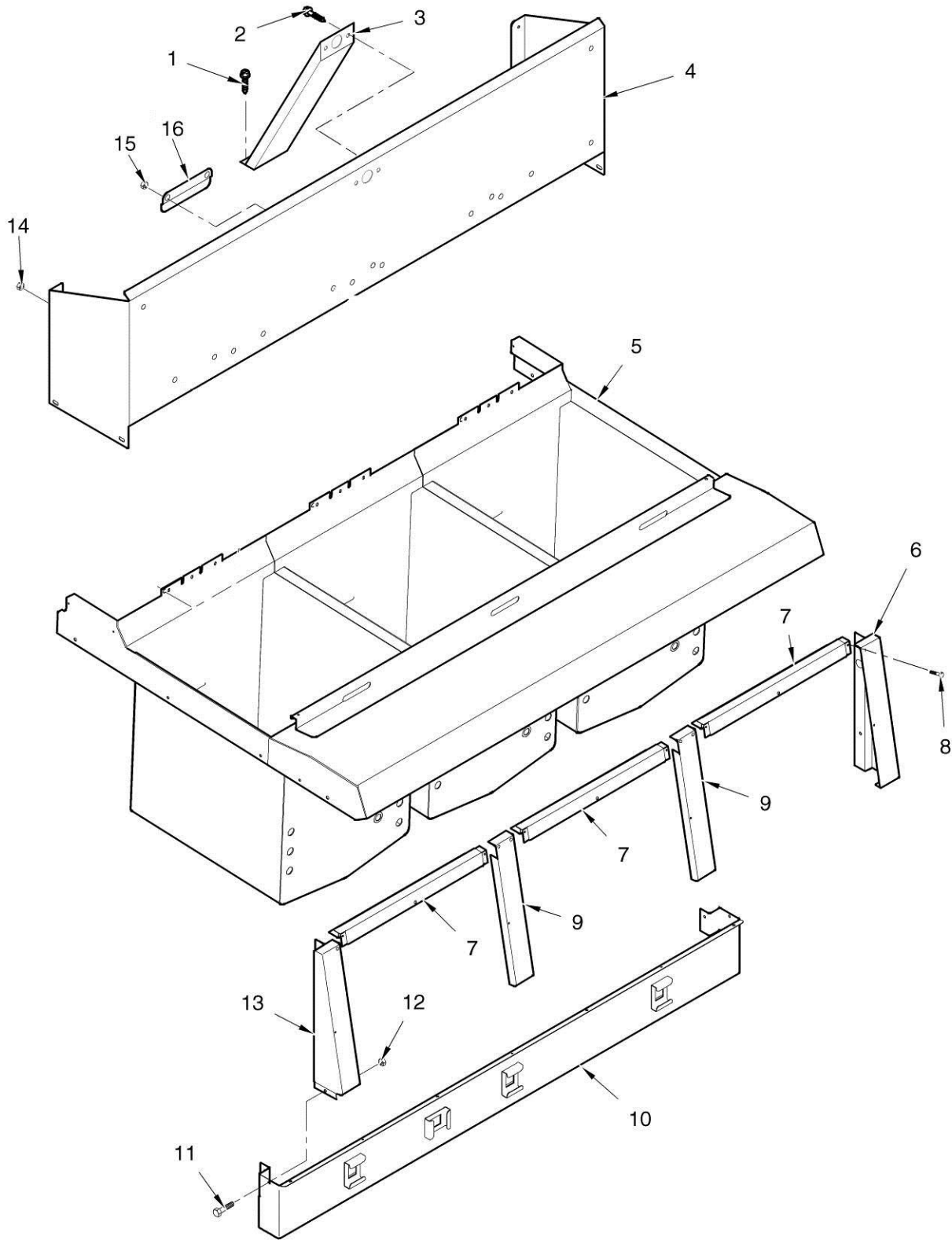
* Not Shown



Baskets and Return Faucet

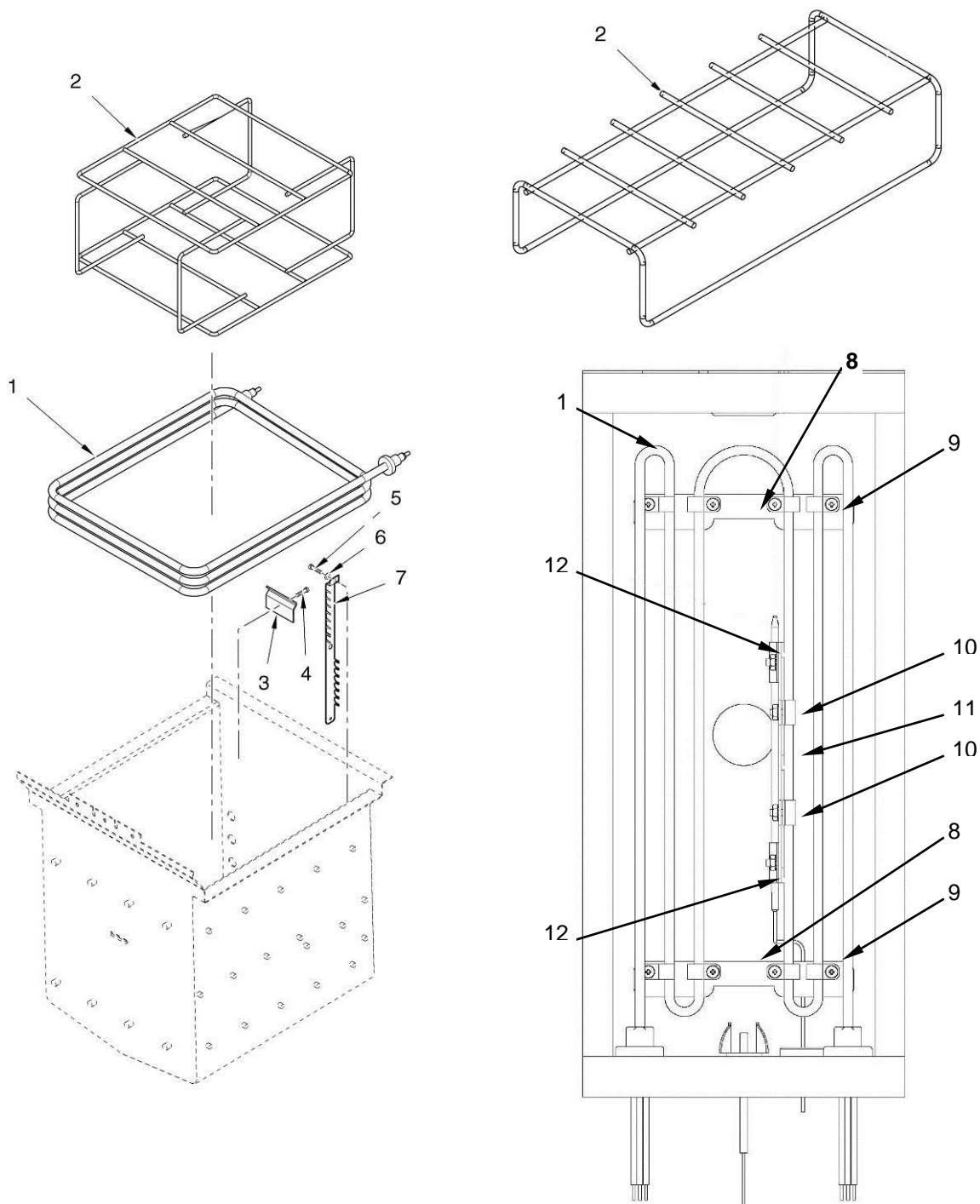
| PART NO. ITEM NO. | DESCRIPTION | QTY. PER UNIT | | |
|----------------------|--|---------------|-----|-----|
| | | 321 | 322 | 323 |
| | BASKETS AND RETURN FAUCET | | | |
| 1 | 03629 FRYPOT COVER | 1 | 2 | 3 |
| 1 | 03632 WELD ASSY – SPLIT POT COVER | 1 PER VAT | | |
| 1 | 26873 FRYPOT COVER (CFA ONLY) | 1 | 2 | 3 |
| 2 | 65466 HALF SIZE BASKET, COATED-BLACK | 2 | 4 | 6 |
| 2 | 81814 HALF SIZE BASKET, COATED-RED | 2 | 4 | 6 |
| 2 | 21033 HALF SIZE BASKET (CFA ONLY) | 2 | 4 | 6 |
| 2 | 69085 HALF SIZE BASKET – F & R HOOKS | 2 | 4 | 6 |
| 2 | 72304 BASKET – ½ SIZE REDUCED WEIGHT | 2 | 4 | 6 |
| 2 | 59078 BASKET – 1/3 SIZE | 3 | 6 | 9 |
| 2 | 83449 BASKET – 320 - 1/2 SIZE TIERED | 2 | 4 | 6 |
| 3 | 60367 HIGH LIMIT GUARD | 1 | 2 | 3 |
| 4 | FP01-087 ELBOW, MALE, 3/8 IN. | 1 | 1 | 1 |
| 5 | 17333 FEMALE DISCONNECT | 1 | 1 | 1 |
| 6 | 17334 MALE DISCONNECT | 1 | 1 | 1 |
| 7 | 70560 ASSY-11.875 RETURN OIL FAUCET-MALE 322, 323, & 324) | - | 1 | 1 |
| 7 | 80065 ASSY-5.8 RETURN OIL FAUCET-MALE-321-SPLIT | 1 | - | - |
| 7 | 78957 ASSY-8.25 DUAL RETURN OIL FAUCET-MALE-323-SPLIT | - | - | 2 |
| 7 | 70425 ASSY-RETURN OIL FAUCET-FEMALE 322, 323, & 324) | - | 1 | 1 |
| 7* | 60611 ASSY. - RETURN LINE-UPPER - WITH 17334 (321, SN: BN022JB & BELOW) | 1 | - | - |
| 8 | 60120 OFG FRY BASKET SUPPORT | 1 | 2 | 3 |
| 8 | 77538 GRID - BASKET SUPPORT (RALEY'S) | - | 2 | - |
| 8 | 78293 RACK – 32X SPLIT VAT | 1 PER VAT | | |
| 9 | 33824 FULL SIZE FRY BASKET | 1 | 2 | 3 |
| 10 | 32939 BASKET – WEIGHT SCREEN | 2 | 4 | 6 |
| 11* | 50715 3/8 X 1 1/8 IN. NIPPLE | 1 | 1 | 1 |
| 12* | 82321 DUMP STATION, CENTER WELL BASKET INSERT | - | - | 1 |
| 13* | 48629 DRIP SHIELD, FRYER/DUMP TABLE | 1 | 1 | 1 |

* not shown



Shrouds and Pot & Counter Top

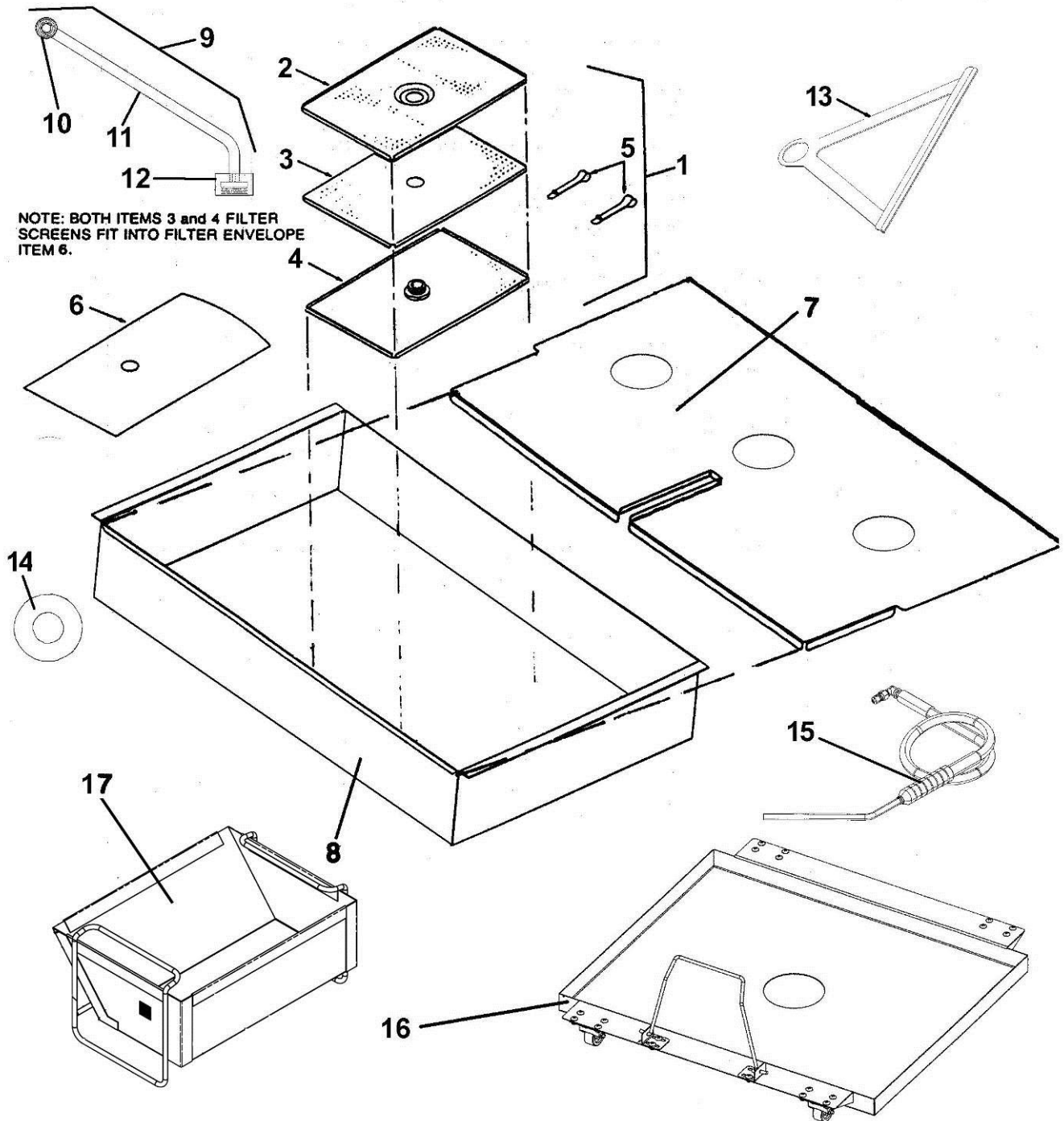
| PART NO. ITEM NO. | DESCRIPTION | QTY. PER UNIT | | |
|----------------------|--|---------------|-----|-----|
| | | 321 | 322 | 323 |
| | SHROUDS AND POT & COUNTER TOP | | | |
| 1 | SC03-005 SCREW, BRACKET RETAINING, BOTTOM | 2 | 2 | 2 |
| 2 | SC01-034 SCREW, BRACKET RETAINING, TOP | 2 | 2 | 2 |
| 3 | 60340 BRACKET, REAR SHROUD | 1 | 2 | 2 |
| 4 | 23808 REAR SHROUD ASSY.-321 (SN: BN022JB & BELOW) | 1 | - | - |
| 4 | 23808 REAR SHROUD ASSY.- FULL VAT - 321 (SN: BN023JB & ABOVE) | 1 | - | - |
| 4 | 78811 REAR SHROUD ASSY. – SPLIT VAT - 321 | 1 | - | - |
| 4 | 78430-001 REAR SHROUD ASSY. – SS - 322 | - | 1 | - |
| 4 | 78430-002 REAR SHROUD ASSY. – SF - 322 | - | 1 | - |
| 4 | 78430-003 REAR SHROUD ASSY. – FS - 322 | - | 1 | - |
| 4 | 78430-004 REAR SHROUD ASSY. - FF - 322 | - | 1 | - |
| 4 | 78742-001 REAR SHROUD ASSY. – SSS - 323 | - | - | 1 |
| 4 | 78742-002 REAR SHROUD ASSY. – SSF - 323 | - | - | 1 |
| 4 | 78742-003 REAR SHROUD ASSY. – SFS - 323 | - | - | 1 |
| 4 | 78742-004 REAR SHROUD ASSY. – SFF - 323 | - | - | 1 |
| 4 | 78742-005 REAR SHROUD ASSY. – FSS - 323 | - | - | 1 |
| 4 | 78742-006 REAR SHROUD ASSY. – FSF - 323 | - | - | 1 |
| 4 | 78742-007 REAR SHROUD ASSY. – FFS - 323 | - | - | 1 |
| 4 | 78742-008 REAR SHROUD ASSY. – FFF - 323 | - | - | 1 |
| 5 | 24797 POT & COUNTERTOP ASSY. (OFE-321) | 1 | - | - |
| 5 | 64422 POT & COUNTERTOP ASSY. (OFE-322) | - | 1 | - |
| 5 | 64423 POT & COUNTERTOP ASSY. (OFE-323) | - | - | 1 |
| 6 | 60322 SHROUD CONTROL VERTICAL RH | 1 | 1 | 1 |
| 7 | 60328 SHROUD CONTROL UPPER MIDDLE | - | 2 | 3 |
| 8 | SC04-003 SCREW | 4 | 9 | 10 |
| 9 | 60326 SHROUD CONTROL DIVIDER | - | 1 | 2 |
| 10 | 71938 BOTTOM SWITCH GUARD | 1 | - | - |
| 10 | 69634 BOTTOM SWITCH GUARD | - | 1 | - |
| 10 | 72109 BOTTOM SWITCH GUARD | - | - | 1 |
| 10 | 76339 BOTTOM SWITCH GUARD – 322 – SPLIT | - | 1 | - |
| 10 | 78270 BOTTOM SWITCH GUARD – 323 – SPLIT | - | - | 1 |
| 11 | SC01-034 SCREW | 2 | 2 | 2 |
| 12 | NS02-007 NUT | 2 | 2 | 2 |
| 13 | 60324 SHROUD CONTROL VERTICAL LH | 1 | 1 | 1 |
| 14 | NS02-006 NUT, SHROUD RETAINING | 4 | 6 | 8 |
| 15 | NS02-006 NUT, RETAINER SECURING | - | 2 | - |
| 16 | 33261 REAR SHROUD RETAINER | - | 1 | - |
| 17* | 14778 KIT – FLAT CTOP JOINING | 1 | 1 | 1 |



Electric Heater

| PART NO. ITEM NO. | DESCRIPTION | QTY. PER UNIT | | |
|----------------------|--|---------------|-----|-----|
| | | 321 | 322 | 323 |
| | ELECTRIC HEATER | | | |
| √ 1 | 60744-3 HEATER – 230V 4800W | 3 | 6 | 9 |
| √ 1 | 60744-4 HEATER – 208V 4800W | 3 | 6 | 9 |
| √ 1 | 30292-2 HEATER – 208V 7333W | 3 | 6 | 9 |
| √ 1 | 60744-5 HEATER – 480V 4800W | 3 | 6 | 9 |
| √ 1 | 30292-1 HEATER – 480V 7333W | 3 | 6 | 9 |
| √ 1 | 71593-1 HEATER – 208V 7000W – SPLIT | 1 PER VAT | | |
| √ 1 | 71593-2 HEATER – 240V 7000W – SPLIT | 1 PER VAT | | |
| √ 1 | 71593-3 HEATER – 230V 7000W – SPLIT | 1 PER VAT | | |
| √ 1 | 71593-4 HEATER – 220-240V 7000W – SPLIT | 1 PER VAT | | |
| 2 | 60747 OFE FRY BASKET SUPPORT | 1 | 2 | 3 |
| 2 | 78293 RACK – 32X SPLIT VAT | 1 PER VAT | | |
| 2 | 26917 FRY BASKET SUPPORT (CFA ONLY) | 1 | 2 | 3 |
| | 67652 HIGH LIMIT BRACKET | 1 | 2 | 3 |
| 3 | 40315 --HI LIMIT REAR CLAMP | 1 | 2 | 3 |
| 3 | 40317 --HI LIMIT FRONT CLAMP | 1 | 2 | 3 |
| 4 | SC01-053 --CLAMP SCREW (#8-32 X 1/2 IN.) | 1 | 2 | 3 |
| 5 | SC01-055 SPREADER SCREW (#10-32 X 3/4 IN.) | 10 | 20 | 30 |
| 6 | LW02-005 LOCKWASHER, #10 INTERNAL | 10 | 20 | 30 |
| 7 | 51931 SPREADER BAR ASSY. | 5 | 10 | 15 |
| 8 | 78687 SPREADER – 32X SPLIT VAT ELEMENT | 2 PER ELEMENT | | |
| 9 | 21978 STRAP – SPREADER - SPLIT | 8 PER ELEMENT | | |
| 10 | 78868 STUD ASSY – HIGH LIMIT BRKT - SPLIT | 2 PER ELEMENT | | |
| 11 | 78850 WELD ASSY–HIGH LIMIT BRKT BASE-SPLIT | 1 PER ELEMENT | | |
| 12 | 72674 BRACKET – HIGH LIMIT - SPLIT | 2 PER ELEMENT | | |

√ recommended parts



Drain Pan, Screen, and Cover

| PART NO. ITEM NO. | DESCRIPTION | QTY. PER UNIT | | |
|----------------------|--|---------------|-----|-----|
| | | 321 | 322 | 323 |
| | DRAIN PAN, SCREEN, & COVER | | | |
| 1 | 17510(USE 14671) SCREEN ASSY., FILTER | 1 | 1 | 1 |
| 2 | 65211 . CRUMB CATCHER – SS (Excludes 1-well cap. Drain pans) | 1 | 1 | 1 |
| 3 | 17502(USE 14671) . TOP FILTER SCREEN | 1 | 1 | 1 |
| 4 | 17503(USE 14671) . BOTTOM FILTER SCREEN (OFE-BELOW SN: BA0502001) (OFG-BELOW SN: BN0502001) | 1 | 1 | 1 |
| 4 | 65447 . BOTTOM FILTER SCREEN–SS(OFE-SN:BA0502001 & ABOVE) (OFG-SN:BN0502001 & ABOVE) | 1 | 1 | 1 |
| 4 | 14672 KIT –WENDY’S SS FILTER SCREEN (INCLUDES 4, 12 & 13) | 1 | 1 | 1 |
| 4 | 14878 KIT –WENDY’S FRYER FILTER SCREEN & NUT (INCLUDES 4 &12) | 1 | 1 | 1 |
| 5 | 17505 . FILTER ENVELOPE CLIPS | 2 | 2 | 2 |
| √ 6 | 12102 FILTER ENVELOPE PAPER (100 PER CARTON) | 1 | 1 | 1 |
| 7 | DRAIN PAN COVER – SEE CHART ON NEXT PAGE | | | |
| 8 | DRAIN PAN – SEE CHART ON NEXT PAGE | | | |
| 9 | KIT-OFX32X PICK UP TUBE– SEE CHART ON PAGE 3-26 | 1 | 1 | 1 |
| 10 | 69289 . UNION, FEMALE FITTING | 1 | 1 | 1 |
| 11 | . STANDPIPE TUBE– SEE CHART ON PAGE 3-26 | | | |
| 12 | 65208 . NUT, FILTER | 1 | 1 | 1 |
| 13 | 63102 SEALER BAR FOR FILTER SCREENS(WENDY’S 322 & 323) | - | 1 | 1 |
| 13 | 14783 KIT – 500 GM SEALER BAR (SN:BN0502001 & ABOVE) | 1 | 1 | 1 |
| 13 | 14909 KIT – GM 2-PIECE FILTER SEALER (SN:BN0502000 & BELOW) | 1 | 1 | 1 |
| 14 | 36305 WASHER – STANDPIPE (WENDY’S 321) | 1 | - | - |
| 15 | 33494 RINSE HOSE ASSY. - 90° MALE FITTING | 1 | 1 | 1 |
| 15 | 81919 RINSE HOSE ASSY. - 90° FEMALE FITTING | 1 | 1 | 1 |
| 15 | 03003 RINSE HOSE ASSY. – FEMALE FITTING | 1 | 1 | 1 |
| 16 | ASSESSORY-DRAIN PAN DOLLY – SEE CHART ON PAGE 3-26 | | | |
| 17 | 03622 BASKET – FINE MESH CRUMB (ZAXBY’S) | 1 | - | - |

√ recommended parts

| 321 Drain Pans | | | |
|-----------------------|-------------------|------------------------|-------------------|
| | 21088 | 70344 | 81120 |
| OFG-321-SN: | BN0604042 & Below | BN0604043 to 10/6/08 | 10/7/08 & After |
| OFE-321-SN: | BA0604016 & Below | BA0604017 to BA0810007 | BA0810008 & Above |

| 322 Drain Pans | | | |
|---|-------------------|-------------------|--|
| Full/Split Vat (2-well cap.) | 66522 | 70345 | |
| OFG-322-SN: | BN0604031 & Below | BN0604032 & Above | |
| OFE-322-SN: | BA0604017 & Below | BA0604018 & Above | |
| | | | |
| Full/Split-1-Well Capacity (OFE) | 70344 | 81120 | |
| OFE-322-SN: | BA0810007 & Below | BA0810008 & Above | |
| | | | |
| Full/Split-1-Well Capacity (OFG) | 79306 | | |
| OFG-322 | 8/1/08 & After | | |

| 323 Drain Pans | | | |
|---|-------------------|-------------------|--|
| Full/Split Vat (3-well cap.) | 66523 | 70346 | |
| OFG-323-SN: | BN0604017 & Below | BN0604018 & Above | |
| OFE-323-SN: | BA0604024 & Below | BA0604025 & Above | |
| | | | |
| Full/Split-1-Well Capacity (OFE) | 70344 | 81120 | |
| OFE-323-SN: | BA0810007 & Below | BA0810008 & Above | |
| | | | |
| Full/Split-1-Well Capacity (OFG) | 79306 | | |
| OFG-323 | 8/1/08 & After | | |

| 321 Drain Pan Covers | | | |
|-----------------------------|-------------------|------------------------|-------------------|
| Full Vat | 21064 | 71597 | 81123 |
| OFG-321-SN: | BN0604042 & Below | BN0604043 to 10/6/08 | 10/7/2008 & After |
| OFE-321-SN: | BA0604016 & Below | BA0604017 to BA0810007 | BA0810008 & Above |
| | | | |
| Split Vat | 78382 | 81214 | |
| OFE-321-SN: | BA0810007 & Below | BA0810008 & Above | |

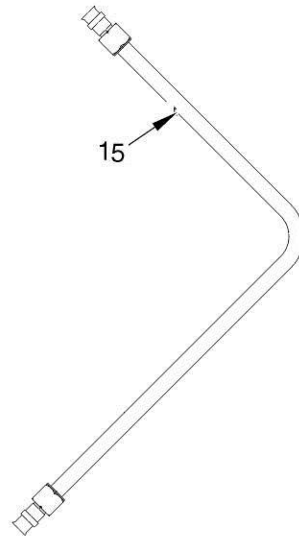
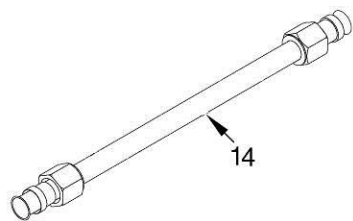
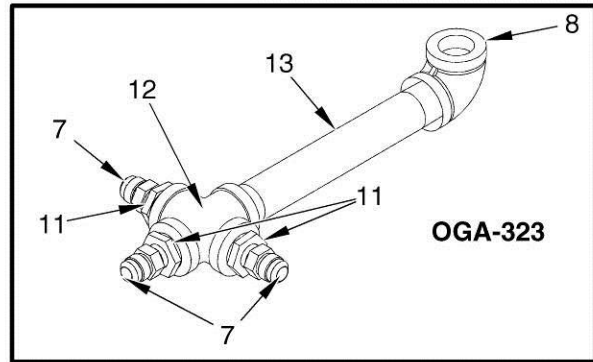
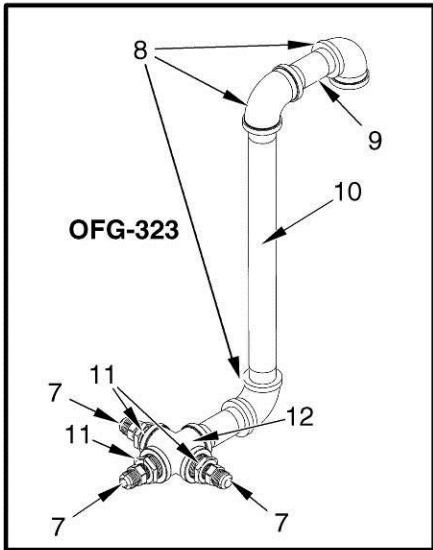
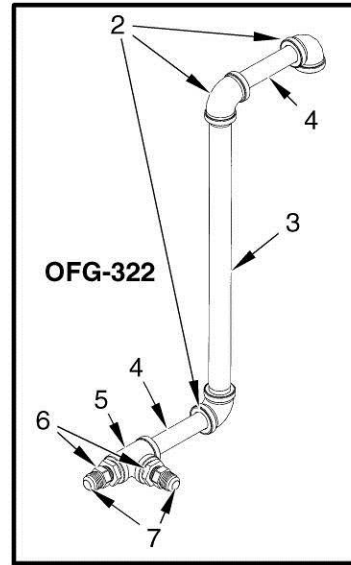
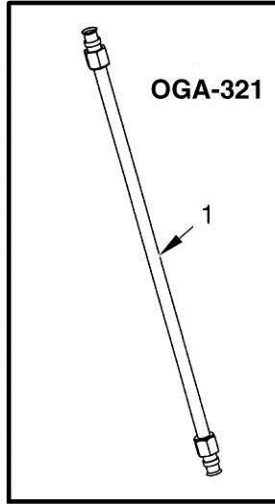
| 322 Drain Pan Covers | | | |
|---|-------------------|----------------------|-------------------|
| Full Vat-2-well Capacity | 60460 | 24596 | 71599 |
| OFG-322-SN: | GN045JB & Below | GN046JB to BN0604031 | BN0604032 & Above |
| OFE-322-SN: | GM024JB & Below | GM025JB to BA0604017 | BA0604018 & Above |
| | | | |
| Split-2-well Capacity (OFE) | 78208 | | |
| | 3/17/08 & After | | |
| | | | |
| Full/Split-1-Well Capacity (OFE) | 76741 | 81201 | |
| OFE-322-SN: | BA0810009 & Below | BA08100010 & Above | |
| | | | |
| Full-1-Well Capacity (OFG) | 80016 | | |
| | 8/1/08 & After | | |

| 323 Drain Pan Covers | | | |
|---|-------------------|----------------------|-------------------|
| Full Vat (3-well cap.) | 60281 | 24597 | 71601 |
| OFG-323-SN: | GN045JB & Below | GN046JB to BN0604017 | BN0604018 & Above |
| OFE-323-SN: | GM024JB & Below | GM025JB to BA0604024 | BA0604025 & Above |
| | | | |
| Split-3-well cap. - (OFE) | 78210 | | |
| | 3/17/08 & After | | |
| | | | |
| Full/Split-1-Well Capacity (OFE) | 76741 | 81201 | |
| OFE-322-SN: | BA0810009 & Below | BA08100010 & Above | |
| | | | |
| Full-1-Well Capacity (OFG) | 79837 | | |
| | 8/1/08 & After | | |

Standpipes & Filter Pan Dolly

| | | | | |
|----------------------------------|---------------------|-------------------|-------------------|-------------------|
| Item #9-Kit Pick-Up Tube | 14654 | N/A | 14654 | N/A |
| Item #11-Standpipe Tube | 60377 | 70360 | 60377 | 70360 |
| Item #16-Filter Pan Dolly | 03495 | 03548 | 03496 | 03549 |
| | | | | |
| OFG-321 - SN: | BN0604042 & Below | BN0604043 & Above | - | - |
| OGA-321 - SN: | Below SN: BP0604001 | BP0604001 & Above | - | - |
| OFE-321 - SN: | BA0604016 & Below | BA0604017 & Above | - | - |
| OEA-321 - SN: | BB0604003 & Below | BB0604004 & Above | - | - |
| OFG-322 - SN: | - | - | BN0604031 & Below | BN0604032 & Above |
| OGA-322 - SN: | - | - | BP0605005 & Below | BP0605006 & Above |
| OFE-322 - SN: | - | BA0810008 & Above | BA0604017 & Below | BA0604018 & Above |
| OEA-322 - SN: | - | BA0810008 & Above | N/A | N/A |
| OFG-323 - SN: | - | - | - | - |
| OGA-323 - SN: | - | - | - | - |
| OFE-323 - SN: | - | BA0810008 & Above | - | - |
| OEA-323 - SN: | - | BA0810008 & Above | - | - |

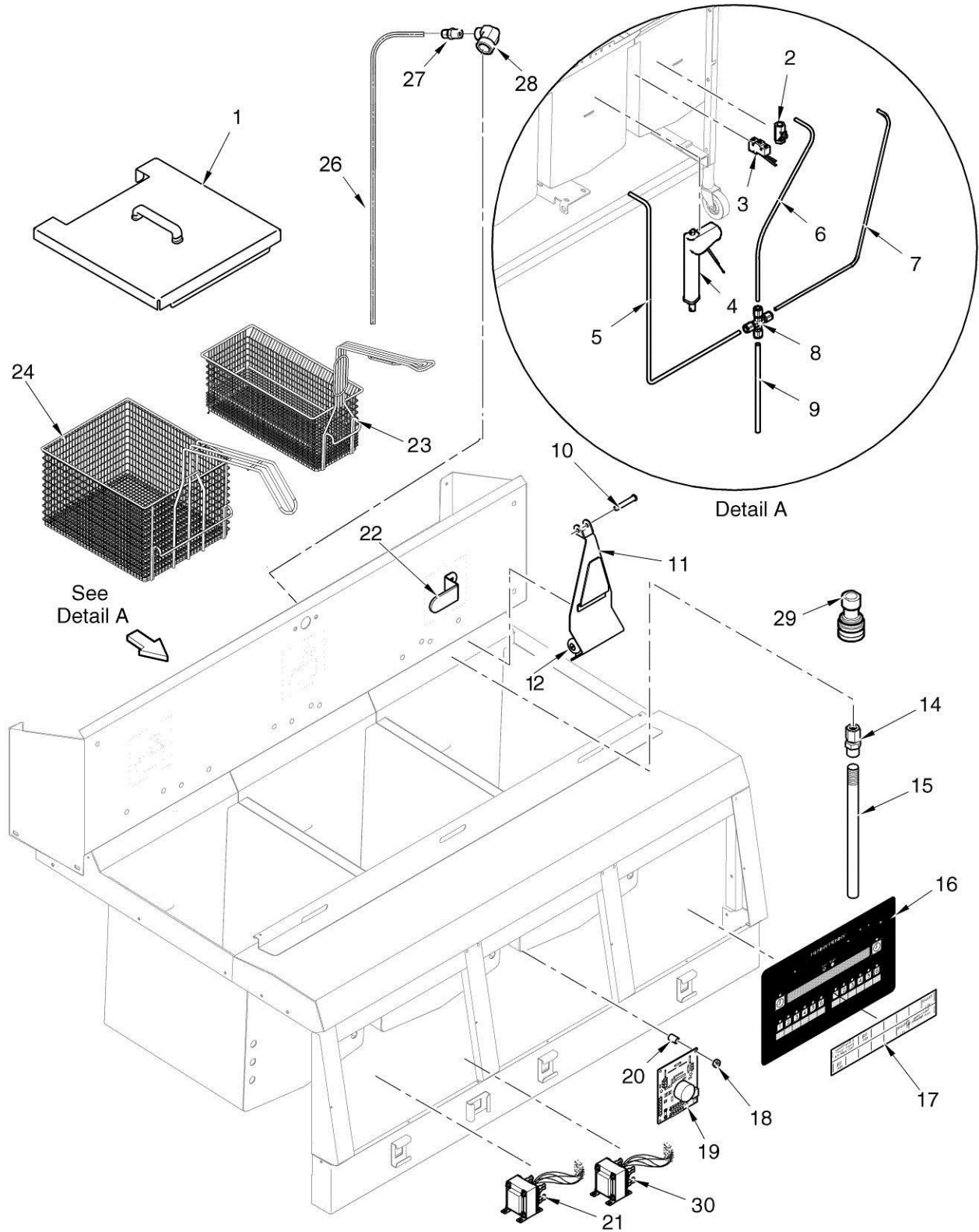
| | | | | |
|----------------------------------|-------------------|-------------------|-------------------------------|--|
| Item #9-Kit Pick-Up Tube | 14654 | N/A | N/A | |
| Item #11-Standpipe Tube | 60377 | 70360 | 70360 | |
| Item #16-Filter Pan Dolly | 03497 | 03550 | 03574 (1-well cap-Gas) | |
| | | | | |
| OFG-321 - SN: | - | - | | |
| OGA-321 - SN: | - | - | | |
| OFE-321 - SN: | - | - | | |
| OEA-321 - SN: | - | - | | |
| OFG-322 - SN: | - | - | 8/1/08 & After | |
| OGA-322 - SN: | - | - | 8/1/08 & After | |
| OFE-322 - SN: | - | - | | |
| OEA-322 - SN: | - | - | | |
| OFG-323 - SN: | BN0604017 & Below | BN0604018 & Above | 8/1/08 & After | |
| OGA-323 - SN: | BP0605006 & Below | BP0605007 & Above | 8/1/08 & After | |
| OFE-323 - SN: | BA0604024 & Below | BA0604025 & Above | | |
| OEA-323 - SN: | N/A | N/A | | |



Main Gas Lines

| PART NO. ITEM NO. | DESCRIPTION | QTY. PER UNIT | | |
|----------------------|---|---------------|-----|--------|
| | | 321 | 322 | 323 |
| | MAIN GAS LINES | | | |
| 1 | 60621 MAIN GAS LINE ASSY. | 1 | - | - |
| 1 | 24772 MAIN GAS LINE ASSY. | 1 | - | - |
| 2 | FP01-098 ELBOW (3/4 NPT X 90 FEMALE BI) | - | 3 | - |
| 3 | FP02-056 NIPPLE (3/4 NPT X 17 IN. LG. BI) | - | 1 | - |
| 4 | FP02-022 NIPPLE (3/4 NPT X 4 IN. LG. BI) | - | 2 | - |
| 5 | FP01-097 TEE (3/4 NPT FEMALE PIP BI) | - | 1 | - |
| 6 | FP01-089 BUSHING, REDUCING (3/4M TO 1/2F BI) | - | 2 | - |
| 7 | 16335 MALE CONNECTOR, 37 FLARE | - | 2 | 3 |
| 8 | FP01-093 ELBOW (1 IN. NPT X 90 FEMALE BI) | - | - | 3 OR 1 |
| 9 | FP01-094 NIPPLE (1 IN. NPT X 3 1/2 LG. BI) | - | - | 2 |
| 10 | FP02-031 NIPPLE (1 IN. NPT X 16 IN LG. BI) | - | - | 1 |
| 10 | FP02-061 NIPPLE (1 IN. NPT X 18 IN LG. BI) - CE | - | - | 1 |
| 11 | FP01-085 BUSHING, REDUCING (1M TO 1/2F BI) | - | - | 3 |
| 12 | FP01-092 CROSS TEE (1 IN. NPT FEMALE BI) | - | - | 1 |
| 13 | FP02-034 NIPPLE (1 IN. NPT X 9 IN. LG. BI) | - | - | 1 |
| 14 | 45621 ASSY – MIDDLE GAS LINE | - | 1 | 1 |
| 15 | 33325 ASSY – RIGHT GAS LINE – 3 WELL | - | - | 2 |
| 15 | 33490 ASSY – RIGHT GAS LINE – 2 WELL | - | 1 | - |
| 16* | FP01-200 FITTING – GAS INLET BSPT | 1 | 1 | 1 |

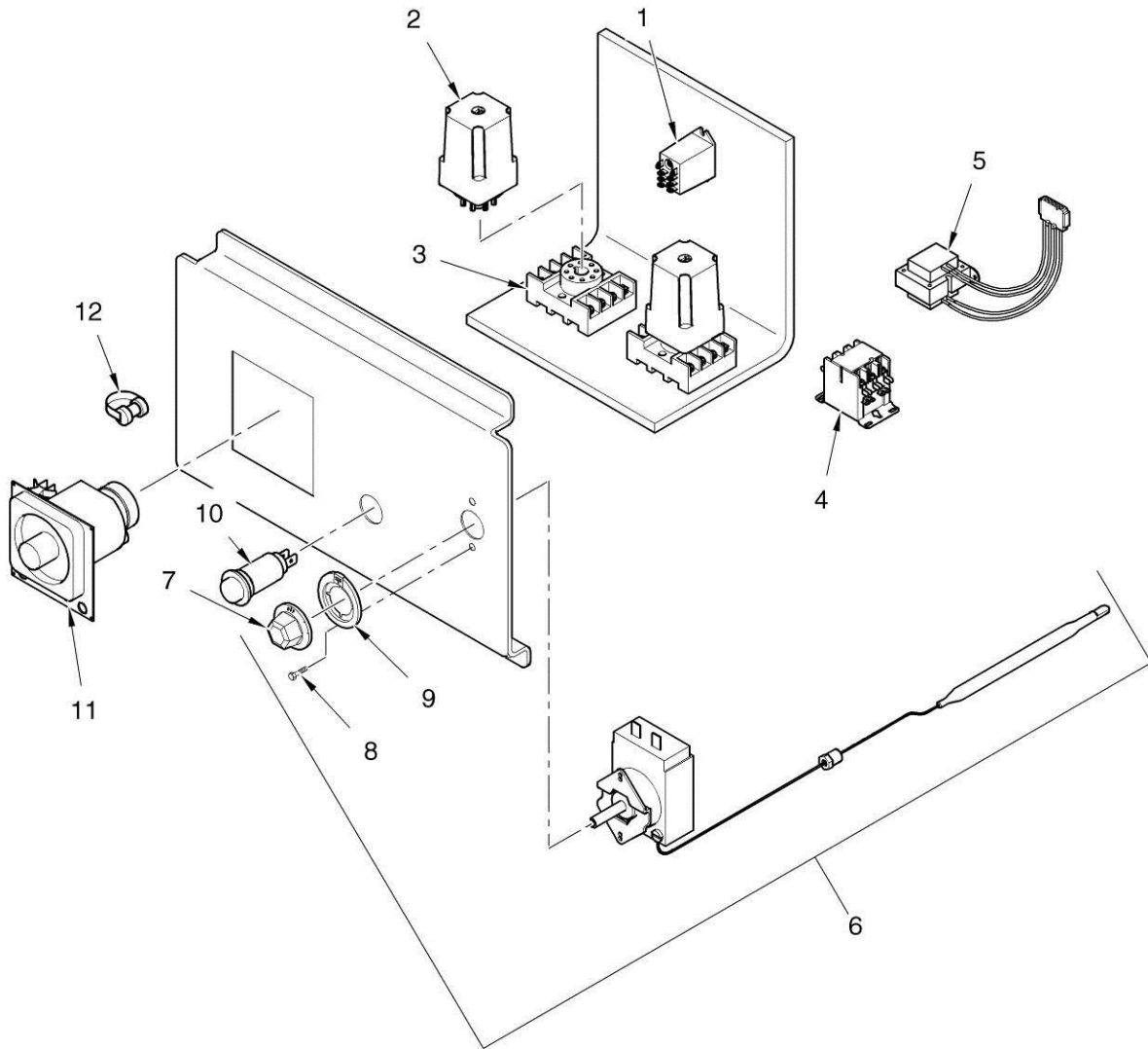
* not shown



Autolift Feature

| PART NO. ITEM NO. | DESCRIPTION | QTY. PER UNIT | | |
|----------------------|--|---------------|-----|-----|
| | | 321 | 322 | 323 |
| | AUTOLIFT FEATURE | | | |
| 1 | 50814 FRYPOT COVER, AUTOLIFT | 1 | 2 | 3 |
| 2 | 50750 FILTER VALVE, OIL RETURN | 1 | 1 | 1 |
| √ 3 | 50764 MICROSWITCH, RIGID LEVER | 1 | 2 | 3 |
| √ 4 | 50716 ACTUATOR, AUTOLIFT, 24V MOTOR (SN: EN040JB & BELOW) | 2 | 4 | 6 |
| √ 4 | 63602 ACTUATOR, AUTOLIFT, 24V MOTOR (SN: EN041JB UP TO BP0812001) | 2 | 4 | 6 |
| √ 4 | 80091 ACTUATOR, AUTOLIFT, 24V MOTOR (SN: BP0812001 & ABOVE) | 2 | 4 | 6 |
| 5 | 50784 TUBE, UNION TO WELL 3, FILTER SYSTEM | - | - | 1 |
| 6 | 50780 TUBE, UNION TO WELL 2, FILTER SYSTEM | - | 1 | - |
| 6 | 50783 TUBE, UNION TO WELL 2, FILTER SYSTEM | - | - | 1 |
| 7 | 50779 TUBE, UNION TO WELL 1, FILTER SYSTEM | - | 1 | - |
| 7 | 50782 TUBE, UNION TO WELL 1, FILTER SYSTEM | - | - | 1 |
| 8 | FP01-129 UNION, TEE, 3/8 IN. TUBE SS, FILTER SYSTEM | - | 1 | - |
| 8 | FP01-130 UNION, CROSS | - | - | 1 |
| 9 | 50778 TUBE, PUMP TO UNION, FILTER SYSTEM | - | 1 | - |
| 9 | 50781 TUBE, PUMP TO UNION, FILTER SYSTEM | - | - | 1 |
| 10 | 50776 PIN, ACTUATOR CLEVIS | 2 | 4 | 6 |
| 11 | 50719 BASKET HANGER ASSY. (SN: EN040JB & BELOW) | 2 | 4 | 6 |
| 11 | 50865 BASKET HANGER ASSY. (SN: EN041JB & ABOVE) | 2 | 4 | 6 |
| 12 | 31421 ...BEARING WITH SCREW | 4 | 8 | 12 |
| 13 | NS03-023* ...NUT, 1/4-20 ACORN CAP | 4 | 8 | 12 |
| 14 | FP01-128 CONNECTOR (3/8 IN. TUBE TO 3/8 IN. NPT SS), FILTER SYSTEM | - | 1 | 1 |
| 15 | 50785 TUBE, OIL RETURN, LONG, FILTER SYSTEM | - | 1 | 1 |
| 15 | 60611 RETURN FAUCET ASSY. (WITH 17334 DISCONNECT) | 1 | 1 | 2 |
| √ 16 | 60796RB GM 12 BUTTON CONTROL | 1 | 2 | 3 |
| 17 | 61562 MENU CARD, AUTOLIFT | 2 | 4 | 6 |
| 18 | NS02-005 NUT | 4 | 8 | 12 |
| 19 | 50290 BASKET LIFT PCB ASSY. | 1 | 2 | 3 |
| 20 | ME50-024 SPACER | 4 | 8 | 12 |
| √ 21 | 31159 TRANSFORMER ASSY. (120V) | 1 | 2 | 3 |
| √ 21 | 31160 TRANSFORMER ASSY. (240V) | 1 | 2 | 3 |
| √ 21 | 30614 TRANSFORMER (208/240V-PRI, 24V-SEC.) (ELECT.) | 1 | 2 | 3 |
| 22 | 59721 RETURN VALVE HANDLE | - | 2 | 3 |
| 23 | 50704 1/2 SIZE BASKET | 2 | 4 | 6 |
| 24 | 50703 FULL SIZE BASKET | 1 | 2 | 3 |
| 25* | 50786 TUBE, 2.00 NIPPLE, FILTER SYSTEM | - | 1 | 1 |
| 26 | 60293 TUBE, OIL RETURN LINE | 1 | - | - |
| 27 | FP01-082 CONNECTOR (3/8 TUBE TO 1/2 NPT SS) | 1 | - | - |
| 28 | FP01-087 ELBOW | 1 | 1 | 1 |
| 29 | 17333 DISCONNECT – FEMALE | 1 | 1 | 1 |
| 30 | TS22-012 TRANSFORMER – AUTOLIFT | 1 | 2 | 3 |
| 31* | 50765 LEVER-ACTUATOR, MICROSWITCH | 1 | 2 | 3 |

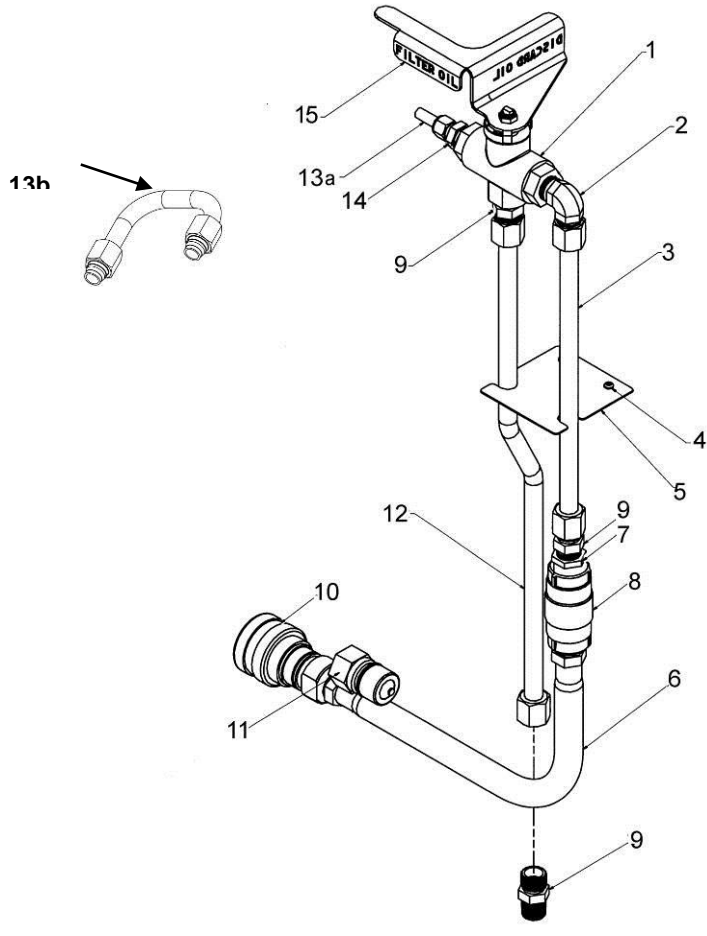
√ recommended parts/*not shown



Electro-Mechanical Controls

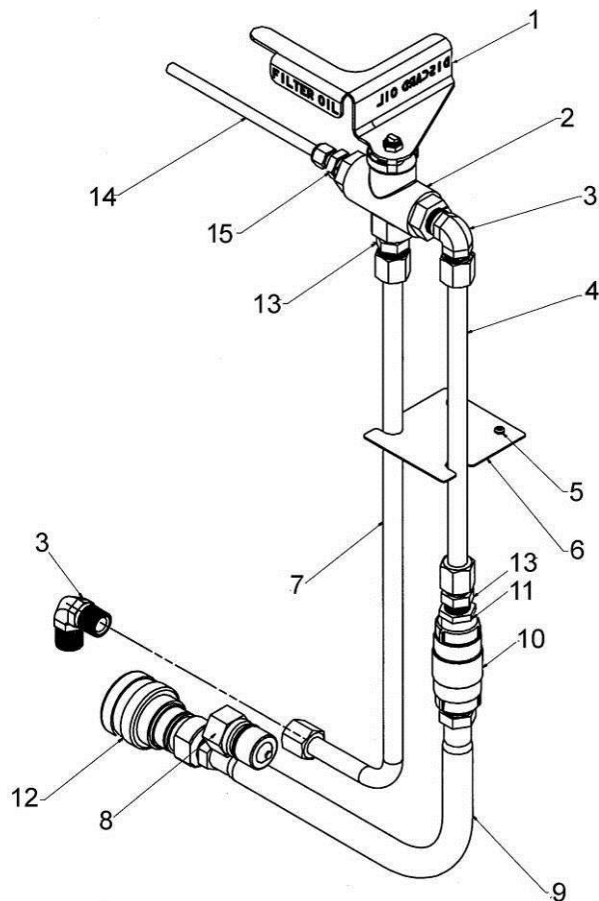
| ITEM NO. | PART NO. | DESCRIPTION | QTY. PER UNIT | | |
|----------------------------|----------|-----------------------------------|---------------|-----|-----|
| | | | 321 | 322 | 323 |
| ELECTRO-MECANICAL CONTROLS | | | | | |
| √ 1 | 60818 | AC COIL RELAY (24V) | 1 | 2 | 3 |
| √ 2 | 60817 | ADJUSTABLE TIME DELAY RELAY | 2 | 4 | 6 |
| √ 3 | 60816 | ADJUSTABLE TIME DELAY RELAY BASE | 2 | 4 | 6 |
| √ 4 | 65098 | HEAT CONTACTOR (ELEC. ONLY) (CE) | 2 | 4 | 6 |
| √ 4 | 29509 | 24V PRIMARY CONTACTOR (NON-CE) | 1 | 2 | 3 |
| √ 4 | 29510 | HEAT CONTACTOR-MERCURY (NON-CE) | 1 | 2 | 3 |
| √ 5 | 35916 | TRANSFORMER (120V TO 24V) (GAS) | 1 | 2 | 3 |
| √ 5 | 60536 | TRANSFORMER (24V/230V) (ELECTRIC) | 1 | 2 | 3 |
| √ 6 | 14851 | THERMOSTAT KIT | 1 | 2 | 3 |
| | 7 | . KNOB | 1 | 2 | 3 |
| | 8 | . BEZEL | 1 | 2 | 3 |
| | 9 | SC01-023 . SCREW | 2 | 4 | 6 |
| √ 10 | 60792 | INDICATOR LIGHT (24V) | 1 | 2 | 3 |
| √ 11 | 60765 | DUAL FACE TIMER | 1 | 2 | 3 |
| √ 12 | 65567 | TIMER BUZZER ASSY. | 1 | 2 | 3 |
| √ 13* | 60785 | DECAL – E/M – CONTROL | 1 | 2 | 3 |

√ recommended parts



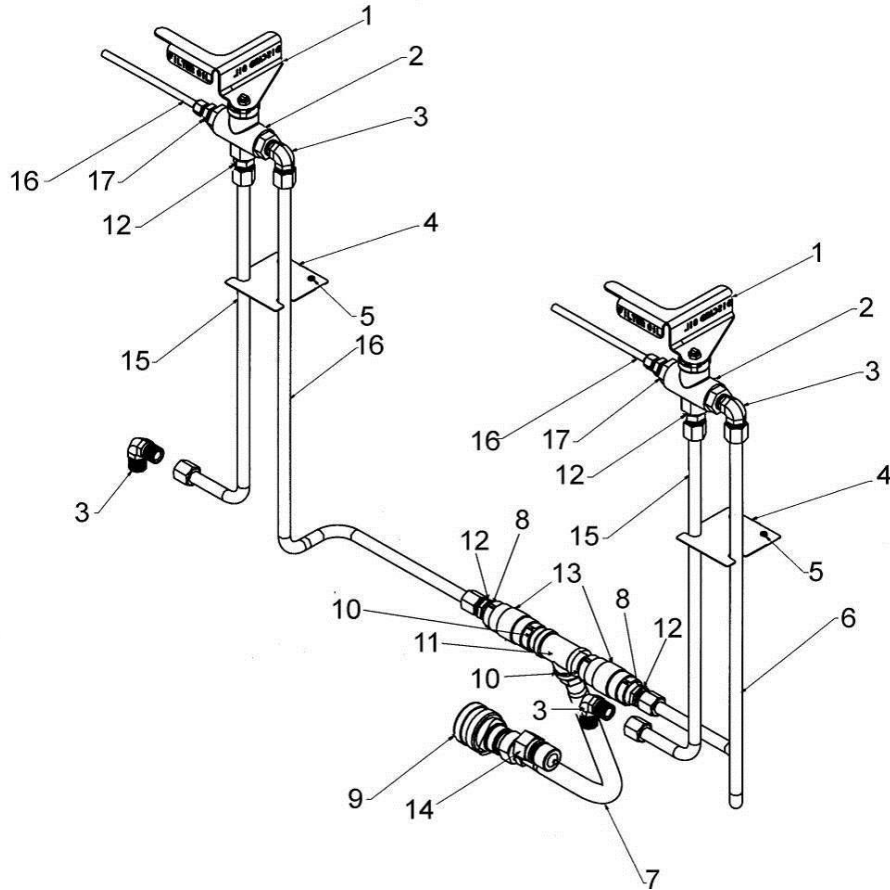
OFX-323 Optional Direct-Connect Parts

| ITEM NO. | PART NO. | DESCRIPTION | QTY. PER UNIT |
|----------|----------|--|---------------|
| | 14857 | KIT – DIRECT-CONNECT OFX-323 (12/1/06 & AFTER) | 1 |
| | 14368 | KIT – DIRECT-CONNECT OFX-323 (BEFORE 12/1/06) | 1 |
| 1 | 21613 | VALVE - DIVERTER | 1 |
| 2 | 17407 | CONNECTOR – ½ MALE ELBOW | 1 |
| 3 | 24692 | ASSY. – D.C. OFX-32X DISCARD TUBE | 1 |
| 4 | SC03-005 | SCREW – SD #8 X ½ PH PHD | 2 |
| 5 | 21509 | BRACKET - TUBE | 1 |
| 6 | 24695 | ASSY. – D.C. OFX-323 & 322 HOSE | 1 |
| 6 | 21753 | . HOSE – SHORTENING DISCARD | 1 |
| 7 | FP01-089 | . BUSHING-REDUCING 3/4M TO 1/2F BL | 1 |
| 8 | 21800 | . VALVE – ¾ CHECK | 1 |
| 9 | 16807 | . FITTING – CONNECTOR – MALE | 3 |
| 10 | 21612 | . DISCONNECT – FEMALE | 1 |
| 11 | 21611 | DISCONNECT – MALE | 1 |
| 12 | 24922 | ASSY. – D.C. OFX-323 FILTER TUBE | 1 |
| 13b | 73191 | ASSY. – D.C. OFX-323 RETURN TUBE (12/1/06 & AFTER) | 1 |
| 13a | 24923 | ASSY. – D.C. OFX-323 RETURN TUBE (BEFORE 12/1/06) | 1 |
| 13a | 24889 | . TUBE-D.C. OFX-32X RETURN | 1 |
| 14 | FP01-082 | . CONNECTOR – 3/8 TUBE TO ½ NPT SS | 1 |
| 15 | 21439 | HANDLE – DIVERTER VALVE | 1 |



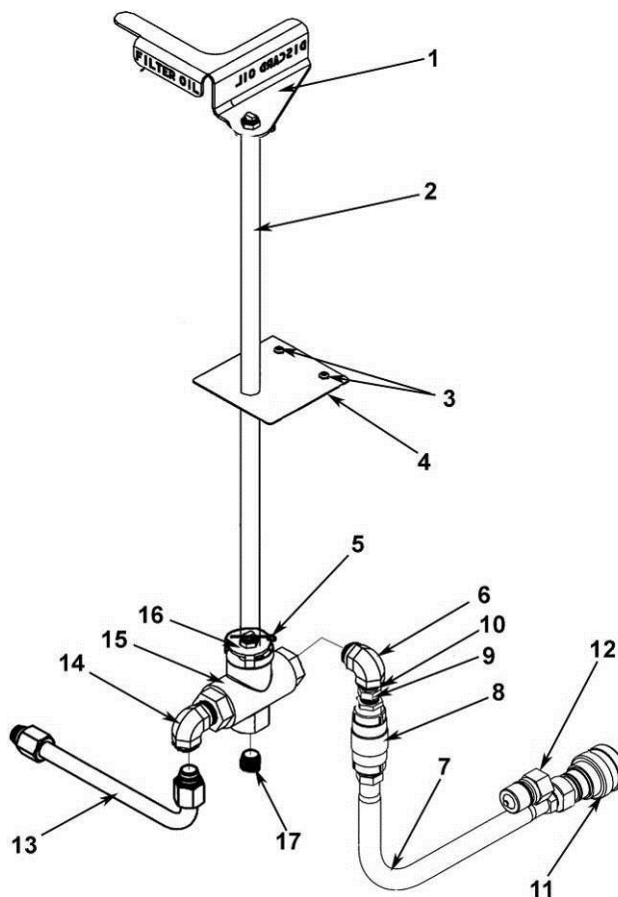
OFX-322 Optional Direct-Connect Parts

| ITEM NO. | PART NO. | DESCRIPTION | QTY. PER UNIT |
|----------|----------|---|---------------|
| | 14858 | KIT – DIRECT-CONNECT OFX-322 (12/1/06 & AFTER) | 1 |
| | 14367 | KIT – DIRECT-CONNECT OFX-322 (BEFORE 12/1/06) | 1 |
| 1 | 21439 | HANDLE – DIVERTER VALVE | 1 |
| 2 | 21613 | VALVE - DIVERTER | 1 |
| 3 | 17407 | CONNECTOR – ½ MALE ELBOW | 2 |
| 4 | 24692 | ASSY. – D.C. OFX-32X DISCARD TUBE | 1 |
| 5 | SC03-005 | SCREW – SD #8 X ½ PH PHD | 2 |
| 6 | 21509 | BRACKET - TUBE | 1 |
| 7 | 24691 | ASSY. – D.C. OFX-322 & 324 FILTER TUBE | 1 |
| 8 | 21611 | DISCONNECT – MALE | 1 |
| 9 | 24695 | ASSY. – D.C. OFX-323 & 322 HOSE | 1 |
| 9 | 21753 | . HOSE – SHORTENING DISCARD | 1 |
| 10 | 21800 | . VALVE – ¾ CHECK | 1 |
| 11 | FP01-089 | . BUSHING-REDUCING 3/4M TO 1/2F BL | 1 |
| 12 | 21612 | . DISCONNECT – FEMALE | 1 |
| 13 | 16807 | . FITTING – CONNECTOR – MALE | 2 |
| 14 | 73243 | ASSY. – D.C. OFX-322 & 324 RETURN TUBE(12/1/06 & after) | 1 |
| 14 | 24694 | ASSY. – D.C. OFX-322 & 324 RETURN TUBE (Before 12/1/06) | 1 |
| 14 | 21739 | . TUBE-D.C. OFX-32X RETURN | 1 |
| 15 | FP01-082 | . CONNECTOR – 3/8 TUBE TO ½ NPT SS | 1 |



OFX-324 Optional Direct Connect Parts

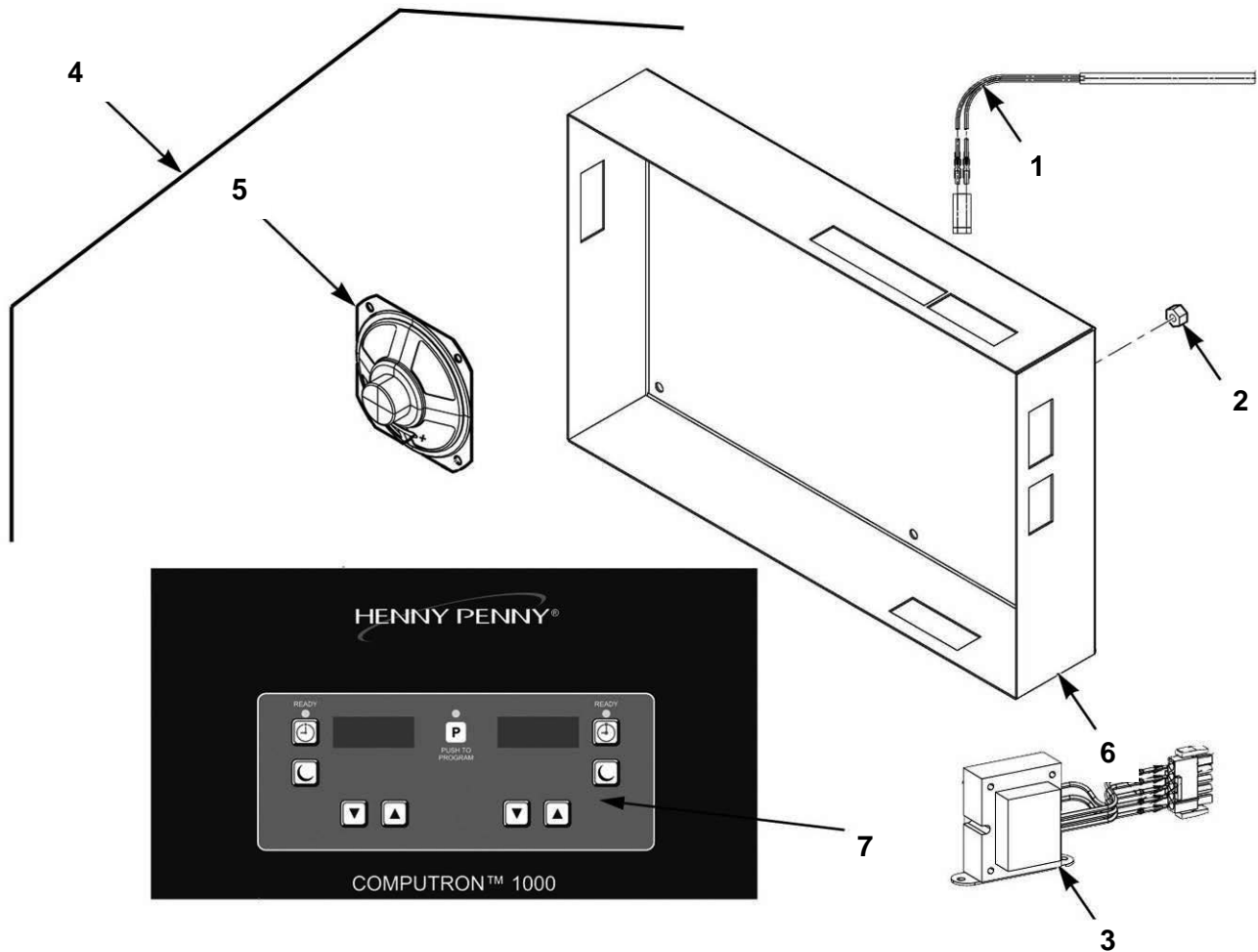
| ITEM NO. | PART NO. | DESCRIPTION | QTY. PER UNIT |
|----------|----------|--|---------------|
| | 14859 | KIT – DIRECT-CONNECT OFX-324 (12/1/06 & AFTER) | 1 |
| | 14364 | KIT – DIRECT-CONNECT OFX-324 (BEFORE 12/1/06) | 1 |
| 1 | 21439 | HANDLE – DIVERTER VALVE | 2 |
| 2 | 21613 | VALVE - DIVERTER | 2 |
| 3 | 17407 | CONNECTOR – ½ MALE ELBOW | 4 |
| 4 | 21509 | BRACKET - TUBE | 2 |
| 5 | SC03-005 | SCREW – SD #8 X ½ PH PHD | 4 |
| 6 | 24713 | ASSY. – D.C. OFX-324 DISCARD – LH TUBE | 1 |
| 6 | 24714 | ASSY. – D.C. OFX-324 DISCARD – RH TUBE | 1 |
| 7 | 24715 | ASSY. – D.C. OFX-324 HOSE | 1 |
| 7 | 21753 | . HOSE – SHORTENING DISCARD | 1 |
| 8 | FP01-089 | . BUSHING-REDUCING 3/4M TO 1/2F BI | 2 |
| 9 | 21612 | . DISCONNECT – FEMALE | 1 |
| 10 | 16282 | . NIPPLE – ¾ X CLOSE | 2 |
| 11 | FP01-097 | . TEE-3/4 NPT FEMALE PIPE BI | 1 |
| 12 | 16807 | . FITTING – CONNECTOR – MALE | 4 |
| 13 | 21800 | . VALVE – ¾ CHECK | 2 |
| 14 | 21611 | DISCONNECT – MALE | 1 |
| 15 | 24691 | ASSY. – D.C. OFX-322 & 324 FILTER TUBE | 1 |
| 16 | 73254 | ASSY. – D.C. OFX-322 & 324 RETURN TUBE(12/1/06 & after)1 | 1 |
| 16 | 24694 | ASSY. – D.C. OFX-322 & 324 RETURN TUBE (Before 12/1/06)1 | 1 |
| 16 | 21739 | . TUBE-D.C. OFX-32X RETURN | 1 |
| 17 | FP01-082 | . Connector – 3/8 tube to ½ NPT SS | 1 |



OFX-321 Optional Direct Connect Parts

| ITEM NO. | PART NO. | DESCRIPTION | QTY. PER UNIT |
|----------|----------|------------------------------------|---------------|
| | 14625 | KIT – DIRECT-CONNECT – OFX-321 | 1 |
| 1 | 21439 | HANDLE – DIVERTER VALVE | 1 |
| 2 | 67493 | ROD – D/C EXTENSION | 1 |
| 3 | SC03-005 | SCREW – SD #8 X ½ PH PHD | 2 |
| 4 | 67671 | BRACKET – EXTENSION ROD | 1 |
| 5 | PN01-001 | PIN – COTTER – 3/32 X 1-1/4 S | 1 |
| 6 | FP01-088 | ELBOW – STREET – ½ X 90 BL IRON | 1 |
| 7 | 67662 | ASSY. – DIRECT-CONNECT HOSE - 321 | 1 |
| 7 | 21753 | . HOSE – SHORTENING DISCARD | 1 |
| 8 | 21800 | . VALVE – ¾ CHECK | 1 |
| 9 | FP01-089 | . BUSHING-REDUCING 3/4M TO 1/2F BI | 1 |
| 10 | FP01-023 | . NIPPLE – 1/2 INCH CLOSE BLACK | 1 |
| 11 | 21612 | . DISCONNECT – FEMALE | 1 |
| 12 | 21611 | DISCONNECT – MALE | 1 |
| 13 | 67672 | ASSY – TUBE POT TO PUMP – OFG-321 | 1 |
| 13 | 67674 | ASSY – TUBE POT TO PUMP – OFE-321 | 1 |
| 14 | 17407 | CONNECTOR – ½ MALE ELBOW | 1 |
| 15 | 21613 | VALVE - DIVERTER | 1 |
| 16 | 67492 | STOP – D/C EXTENSION ROD | 1 |
| 17 | FP01-023 | NIPPLE – 1/2 INCH CLOSE BLACK | 1 |
| 18* | FP01-015 | PLUG – PIPE | 1 |

*not shown



Computron 1000 Parts

| PART NO. ITEM NO. | DESCRIPTION | QTY. PER CONTROL |
|----------------------|-------------------------------------|------------------|
| | COMPUTRON 1000 CONTROL PANEL | |
| | KIT-OFG32X E/M TO C1000 RETROFIT | 1 |
| | KIT-OFE32X E/M TO C1000 RETROFIT | 1 |
| | KIT-OFE32X C1000 TO C8000 FULL | 1 |
| | KIT-OFE30X C1000 TO C8000 SPLIT | 1 |
| | KIT-OFG32X C1000 TO C8000 FULL | 1 |
| √ 1 | 14990 KIT - C1000 FULL PROBE | 1 |
| √ 1 | 14991 KIT - C1000 SPLIT PROBE | 1 |
| 2 | NS02-005 NUT - HEX KEPS - #6-32 C | 11 |
| √ 3 | 60536 ASSY - TRANSFORMER - 24V/230V | 1 |
| √ 3 | 60207 ASSY - TRANSFORMER - 24V/120V | 1 |
| √ 4 | 14949 ASSY - CONTROL - C1000 | 1 |
| √ 5 | ME70-005 SPEAKER - 16 OHM - 2 INCH | 1 |
| 6 | 77648 COVER - PCB | 1 |
| 7 | 76817 DECAL - C1000 - CONTROL - GM | 1 |
| √ 8* | MS01-571 TOOL - EXTRACTOR (PROBE) | 1 |
| 9* | 79209 HARN-OFG 15 PIN FRYER CONN | A/R |

*not shown