

SECTION 3. PARTS INFORMATION

3-1. INTRODUCTION

This section lists the replaceable parts of the Henny Penny Model OFG-390.

3-2. GENUINE PARTS

Use only genuine Henny Penny parts in your fryer. Using a part of lesser quality or substitute design may result in damage to the unit or personal injury.

3-3. WHEN ORDERING PARTS

Once the parts that you want to order have been found in the parts list, write down the following information:

Item Number 2
Part Number 16738 Example:
Description High Limit

From the data plate, list the following information:

Product Number 01100
Serial Number 0001 Example:
Voltage 120

3-4. PRICES

Your distributor has a price parts list and will be glad to inform you of the cost of your parts order.

3-5. DELIVERY

Commonly replaced items are stocked by your distributor and will be sent out when your order is received. Other parts will be ordered, by your distributor, from Henny Penny Corporation. Normally, these will be sent to your distributor within three working days.

3-6. WARRANTY

All replacement parts (except lamps and fuses) are warranted for 90 days against manufacturing defects and workmanship. If damage occurs during shipping, notify the carrier at once so that a claim may be properly filed. Refer to warranty in the front of this manual for other rights and limitations.

3-7. RECOMMENDED SPARE PARTS FOR DISTRIBUTORS

Recommended replacement parts, stocked by your distributor, are indicated with ✓ in the parts lists. Please use care when ordering recommended parts, because all voltages and variations are marked. Distributors should order parts based upon common voltages and equipment sold in their territory.

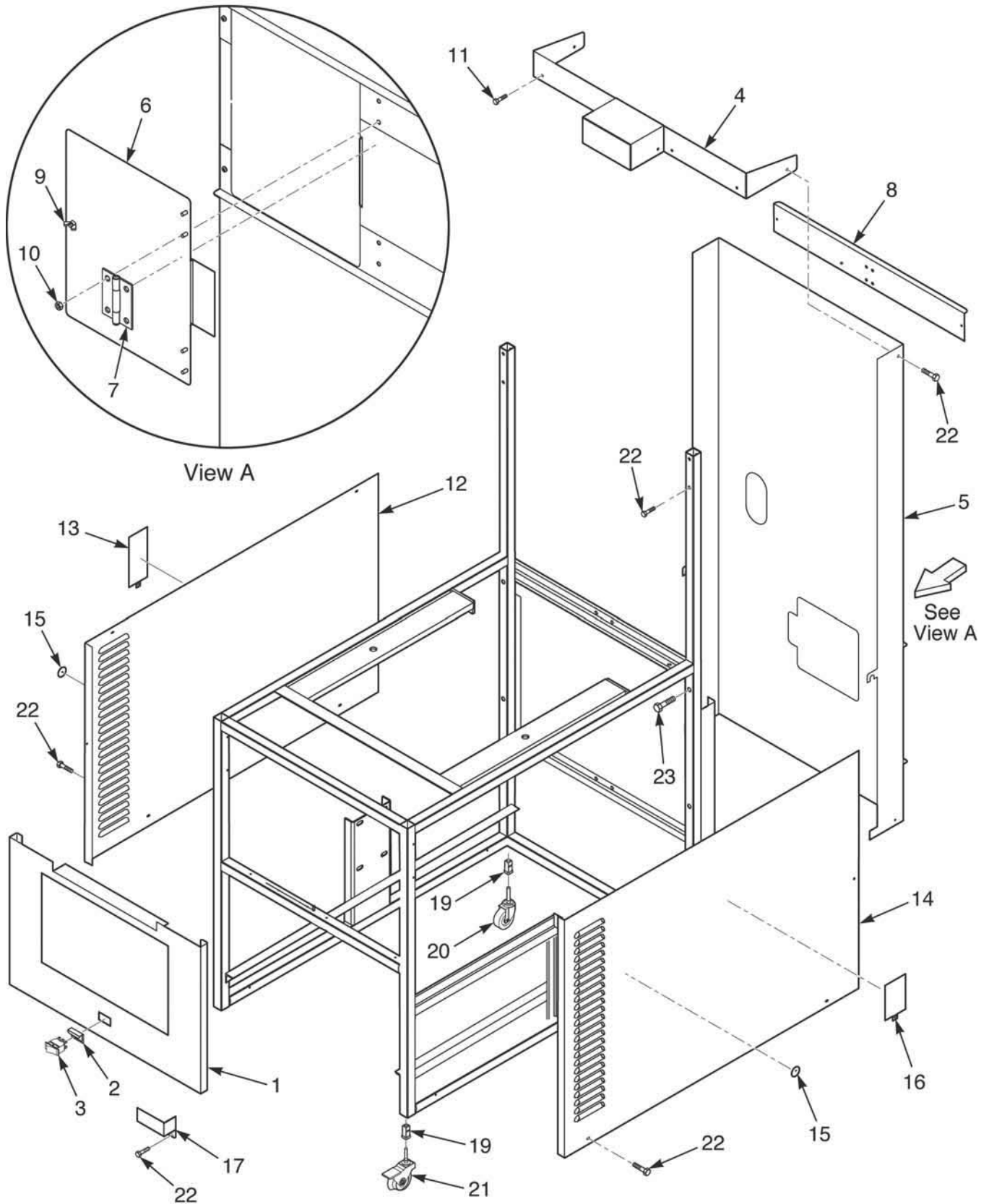


Figure 3-1. Frame and Cover Assembly

Figure & Item No.	Part No.	Description	Qty.
3-1		FRAME & COVERASSEMBLY	
1	39796	WELDMENT – CONTROL PANEL FRONT	1
2	53669	GUARD – POWER SWITCH	1
√ 3	29898	SWITCH – POWER	1
4	55608	TOP COVER – REARSHROUD	1
5	58261	REAR SHROUD –ACCESS ASSEMBLY	1
6	58258	. ACCESS COVER –STUD ASSEMBLY	1
7	58256	. HINGE –2" LEAF HT	2
8	62056	. BRACE –REAR SHROUD	2
9	NS03-033	. NUT, WING – SS 10-24	1
10	NS03-002	. NUT, ACORN #10-24	8
11	SC03-005	. SCREW SD #8 X 1/2 PH PHD	4
12	66940	SIDE PANEL – LEFT	1
13	36337	DOOR – ACCESS	1
14	66941	SIDE PANEL – RIGHT	1
15	PL01-035	COVER – PILOT VIEW	2
16	36337	COVER –ACCESS COVER	1
17	51741	COVER, GAS VALVE WIRE	1
19	54225	1" INSERT –LEG MACHINED	4
20	53673	CASTER, SWIVEL 4"	2
21	37246	CASTER W/BRAKE & SWIVEL LOCK	2
22	SC03-005	SCREW	8
23	SC01-215	SCREW	4
24*	51801	RUNNER - DRAIN PAN - SN BELOW HH001JJ...	2

√ recommended parts

* not shown

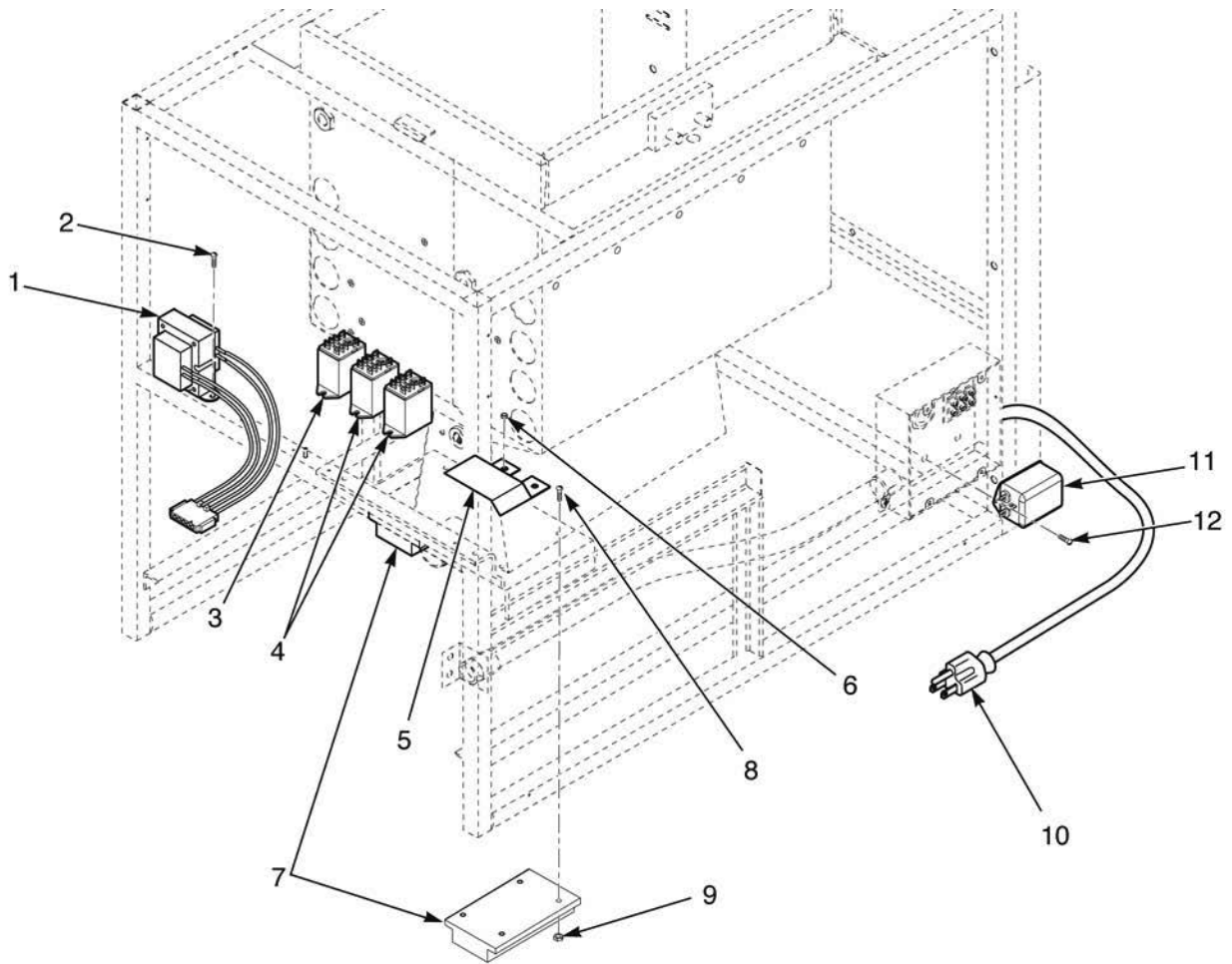


Figure & Item No.	Part No.	Description	Qty.
3-3		ELECTRICAL CONTROLS	
√ 1	60207	TRANSFORMER ASSY – 120V	1
√ 1	60536	TRANSFORMER ASSY – 24V/230V	1
2	SC03-005	SCREW	2
√ 3	140012	KIT - RELAY - 120V - SN: BT0903002 & Below.....	1
√ 3	81914	RELAY - 120V - SN: BT0903003 & Above	1
√ 3	56394	POWER RELAY - 240V	1
√ 4	60818	RELAY - 24V - 10A.....	2
5	62053	SHIELD – WIRE – RH BURNER NON CE.....	1
6	NS02-005	NUT	2
√ 7	14932	IGNITION MODULE KIT – S/N JH018IH & BELOW	2
√ 7	21347	IGNITION MODULE – S/N JH019IH & ABOVE.....	2
√ 7	14236	IGNITION MODULE – CE – S/N JH018IH & BELOW.....	2
√ 7	54924	IGNITION MODULE – CE – S/N JH019IH & ABOVE	2
8	SC01-214	SCREW #10-32 X 1 PH THD SS.....	4
9	NS02-001	NUT HEX KEPS #10-32 C.....	4
10	53656	POWER CORD – 120V	1
√ 11	54988	FILTER – 220V – 50/60HZ GACE.....	1
12	SC01-006	SCREW #10-32 X 3/8 PH THD C.....	2

√ recommended parts

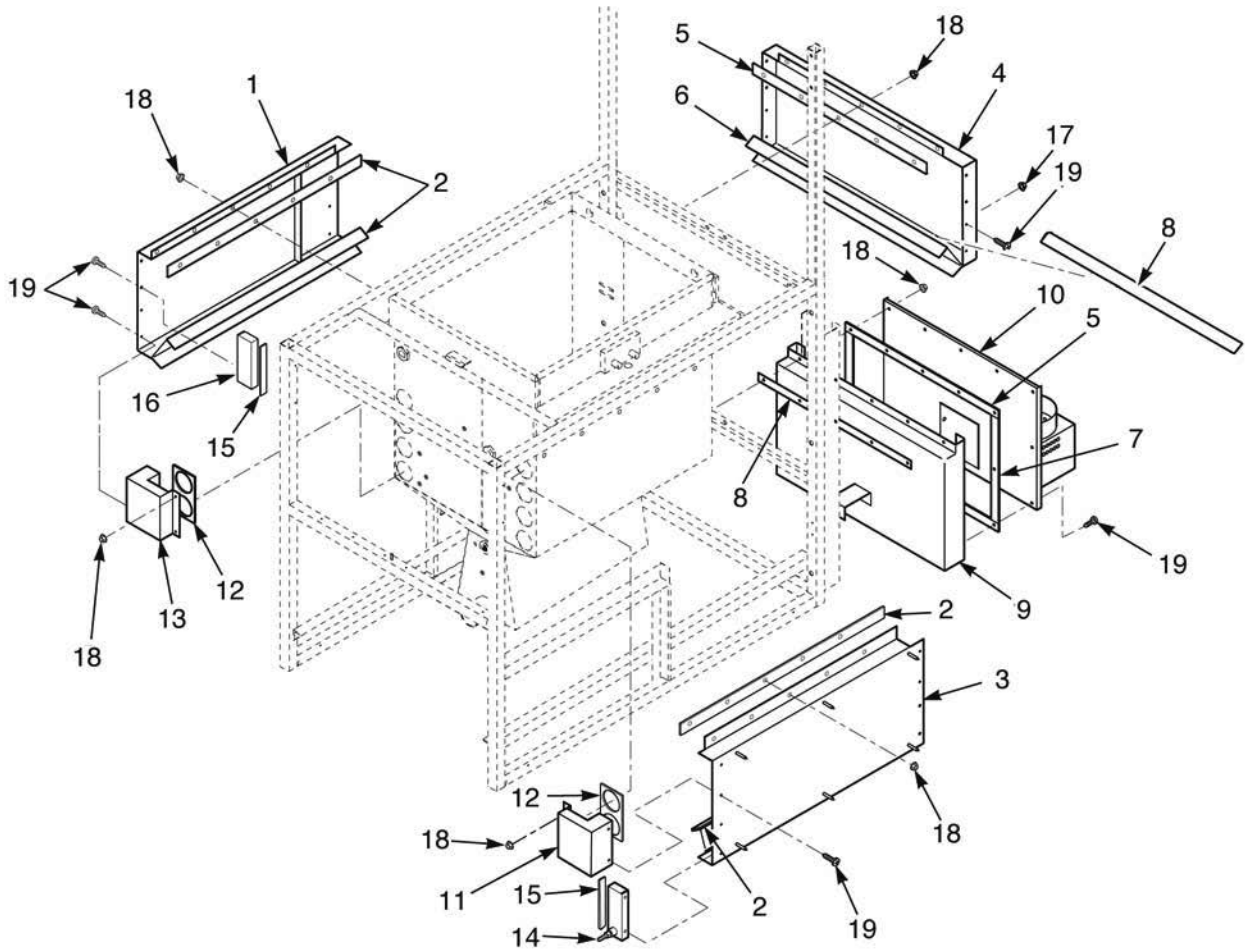


Figure & Item No.	Part No.	Description	Qty.
3-4		FRYPOT COVERS AND INSULATION	
1	52799	ASSY-INSUL/LFT. C/CHAMBER	1
2	52041	INSULATION-C/CHAMBER MOUNTIN	4
3	52798	ASSY-INSUL/RT. C/CHAMBER	1
4	52800	ASSY-INSUL/REAR C/CHAMBER	1
5	52038	INSULATION-LOWER CHAMBER DUC	3
6	52040	INSULATION-REAR C/CHAMBER	1
7	51897	INSULATION-LOWER CHAMBER COV	2
8	52039	INSULATION-C/CHAMBER COLLAR	2
9	52120	ASSY-LOWER C/CHAMBER DUCT	1
10	52801	ASSY-INSUL/CHAMBER COVER	1
11	52795	ASSY INSUL/TUBE-CHAMBER RT.	1
12	52792	INSULATION-TUBE TO C/CHAMBER	2
13	52794	ASSY-INSUL/TUBE-CHAMBER LFT.	1
14	52797	ASSY-INSUL/LOWER CHAMBER CAP	1
15	52793	INSULATION - C/CHAMBER CAP	2
16	52796	ASSY-INSUL/UPPER CHAMBER CAP	1
17	NS02-005	NUT HEX KEPS #6-32C	5
18	NS02-006	NUT HEX KEPS #10-24C	34
19	SC02-014	SCREW #8AB X 3/8 PH #400SS	27

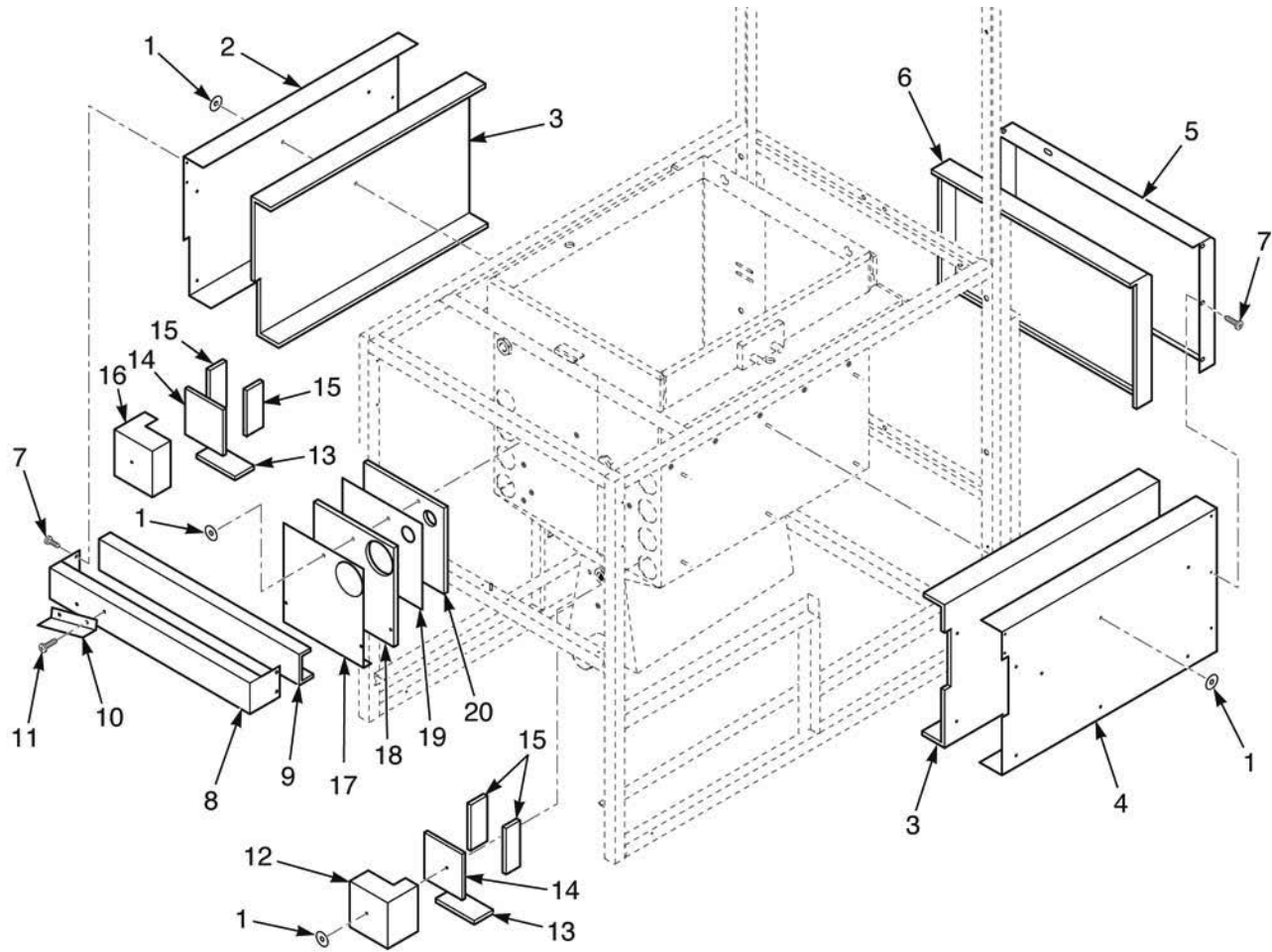


Figure & Item No.	Part No.	Description	Qty.
3-5		INSULATION COVERS	
1	WA02-001	WASHER – INSULATION 1-1/2” DIA.....	17
2	51763	INSULATION COVER – LEFT	1
3	51892	INSULATION – C/CHAMBER SIDE	2
4	51765	INSULATION COVER – RIGHT.....	1
5	51759	INSULATION COVER – REAR.....	1
6	51893	INSULATION – REAR C/CHAMBER.....	1
7	SC02-014	SCREW #8-AB X 3/8 PH #400SS.....	10
8	51739	TOPFRONT INSULATION PANEL	1
9	51894	INSULATION – TOP FRONT PANEL	1
10	62060	SHIELD – HIGH LIMIT	1
11	SC03-005	SCREW SD #8 X 1/2 PH PHD.....	2
12	51753	INSULATION COVER –TUBE TRAN RH.....	1
13	53661	INSUL. – TUBE/CHAMBER-SIDE.....	4
14	53662	INSUL – TUBE/CHAMBER-BOTTOM.....	2
15	53660	INSUL. – TUBE/CHAMBER-BACK	2
16	51755	INSULATION COVER –TUBE TRANS	1
17	51821	CONTROL INSULATION COVER LH.....	1
18	53659	INSULATION – POTFRONT (FOIL)	1
19	51806	POTFRONT INSULATION COVER	1
20	53658	INSULATION – POTFRONT	1

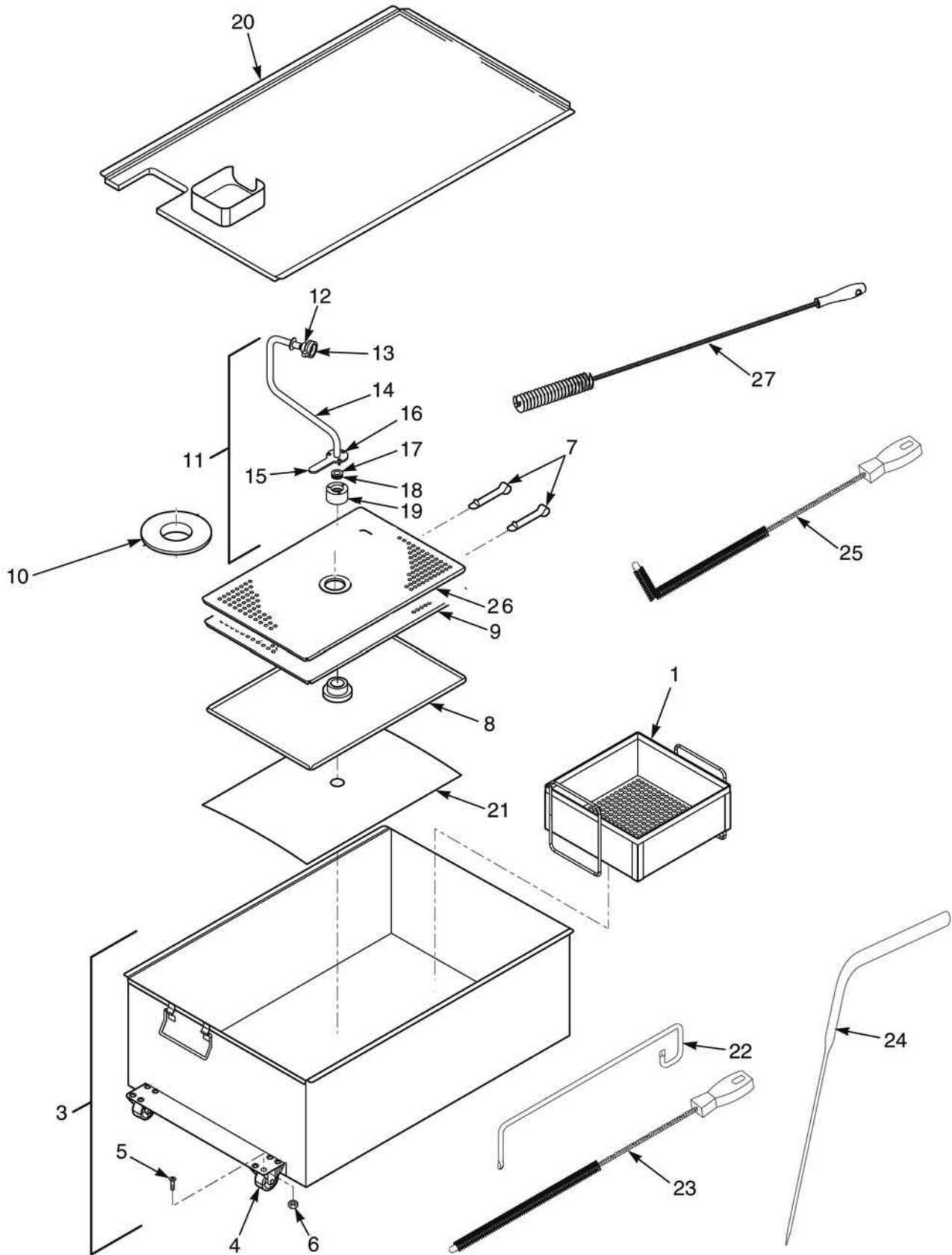


Figure 3-6. Drain Pan and Filter Assembly

Figure & Item No.	Part No.	Description	Qty.
3-6		DRAIN PAN AND FILTER ASSEMBLY	
1	52194	CRUMB CATCHER (OPTIONAL)	1
2	03204	CRUMB CATCHER BASKET/WHANDLE (OPTIONAL)	1
2	21010	.“COLD ZONE” CRUMB CATCHER BASKETASSEMBLY	1
2	24429	. HANDLE - CRUMB BASKET	1
3	52496	FILTER DRAIN PAN ASSEMBLY	1
4	52487	. CASTER	2
5	SC01-009	. SCREW 1/4-20 X 1/2.....	8
6	NS02-002	. NUT 1/4-20	8
7	17505	FILTER CLIPS	2
8	17503(use 14671)	BOTTOM FILTER SCREEN (SN: KH031JJAND BELOW)	1
8	17503(use 14674)	BOTTOM FILTER SCREEN (SN: KH032JJTO BT0504001) ...	1
8	65447	BOTTOM FILTER SCREEN (SN: BT0504001ANDABOVE) ..	1
9	17502(use 14671)	TOP FILTER SCREEN (SN: KH031JJAND BELOW)	1
9	17502(use 14674)	TOP FILTER SCREEN (SN: KH032JJANDABOVE)	1
10	36305	WASHER & STANDPIPE	1
11	55876	STANDPIPE ASSEMBLY (S/N KH031JJ & BELOW).....	1
11	62081	STANDPIPE ASSEMBLY (S/N KH032JJ toAH085JB)	1
11	24212	STANDPIPE ASSEMBLY (S/NAH086JB to BT0504001)	1
11	14658	STANDPIPE ASSEMBLY (S/N BT0504001 &ABOVE)	1
√ 12	USE 69289	. UNION - MALE FITTING	1
√ 13	USE 69289	. UNION - HANDLE FITTING.....	1
14	24211	. WELDMENT, FILTER TUBE AND WASHER	1
15	23740	. HANDLE, STANDPIPE 8 HEAD	1
16	SC01-245	. SCREW 10-32 X 1/2.....	3
17	23804	. INSERT, FILTER NUT	1
18	OR01-007	. O-RING, FILTER NUT INSERT	1
19	66535	. FILTER NUT - SS (S/N BT0504001 &ABOVE)	1
19	23803	. FILTER NUT - (S/NAH086JB to BT0504001)	1
19	65208	. FILTER NUT - (S/N KH032JJ toAH085JB)	1
19	55877	. FILTER NUT (S/N KH031JJ & BELOW).....	1
20	62082	FILTER DRAIN PAN COVERASSEMBLY	1
√ 21	12102	FILTER ENVELOPE PAPER (100 PER CARTON)	1
22	65776	ROD - CLEAN OUT	1
√ 23	52208	BRUSH	1
24	35310	STIRRER	1
√ 25	12126	BLACK L-BRUSH	1
26	65211	CRUMB CATCHER - SS	1
27	35771	BRUSH - CLEAN-OUT - 35 IN (89 CM).....	1

√ recommended parts

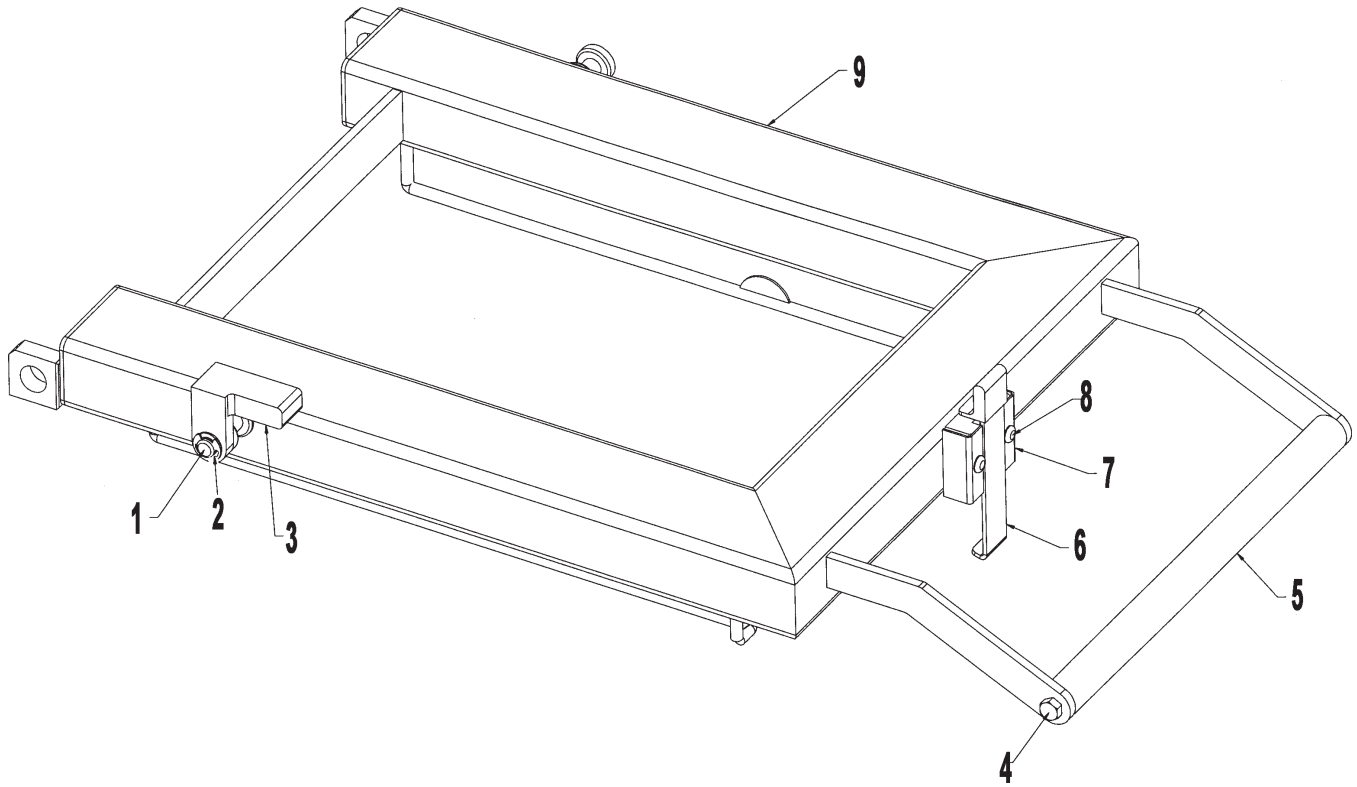


Figure & Item No.	Part No.	Description	Qty.
3-7	65191	Lid Assembly Complete	
1	RR01-004	Ring - Retaining - 1/2 in.	1
2	WA01-020	Washer - .513 ID-.750 OD-.05 THK	1
3	51531	Stop - Lid, Cast	1
4	SC01-041	Screw - 5/16"-18 x 1 HEX HD C	2
5	55754	Handle Weld Assembly	1
6	55756	Assy. - Latch/Sleeve Coat	1
7	59169	Lid Latch Bracket	1
7a	52498	Spring - Lid Latch	1
7b	51707	Lid Latch Bracket	1
8	SC01-248	Screw 10-32 x 1.25 PH THD SS	2
9	65190	Weldment 390 Lid	1

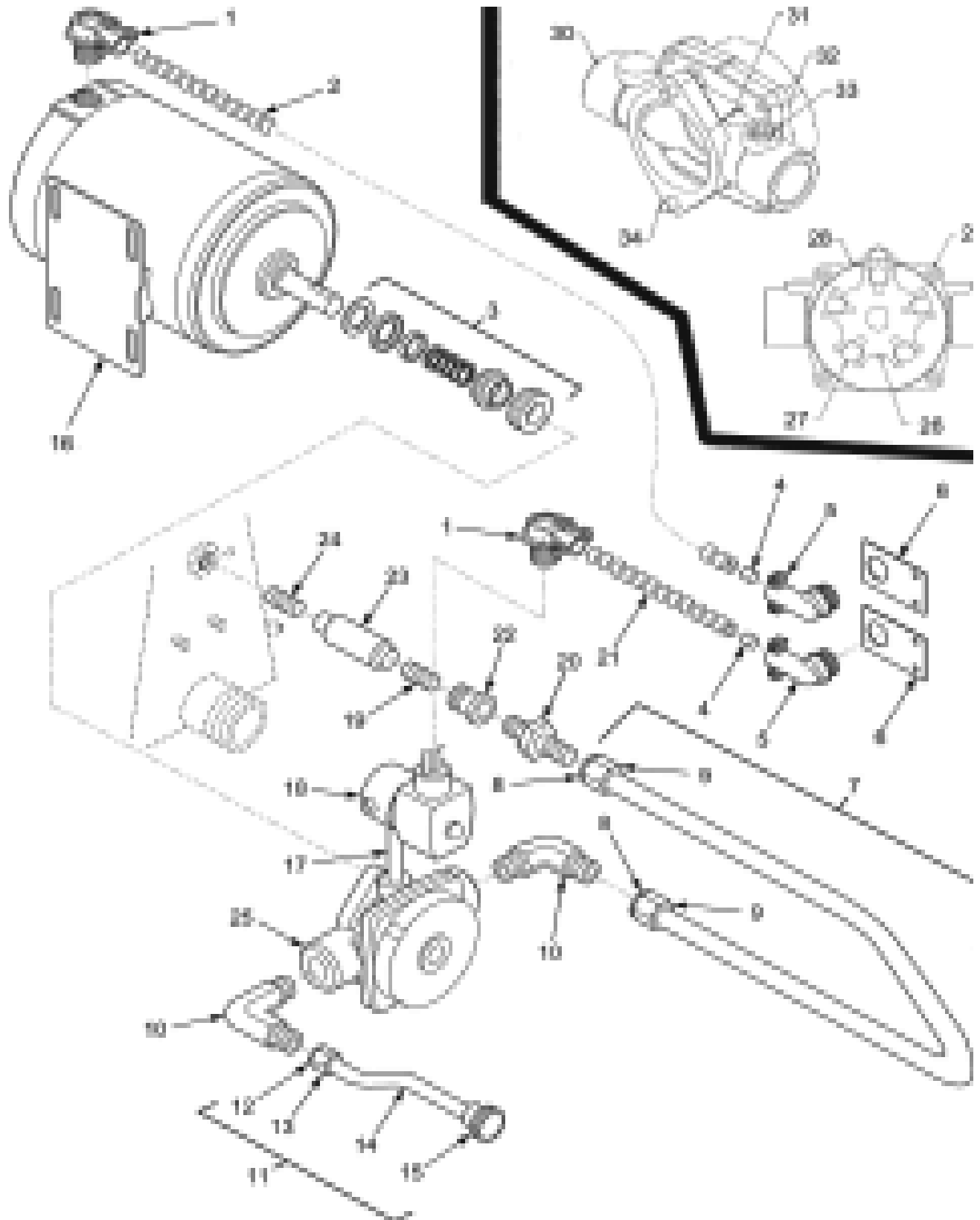


Figure 3-8. Filter Pump Assembly (SN: LH015JC & Below)

Figure & Item No.	Part No.	Description	Qty.
3-8		FILTER PUMPASSEMBLY (SN: LH015JC & Below)	
1	18107	CONDUIT CONNECTOR 3/8 X 90.....	2
2	54484	BLOWER/PUMP – FLEXIBLE CONDUIT.....	1
√ 3	17476	PUMP SEAL KIT	1
4	18105	ANTI SHORT 3/8 INCH	2
5	18644	CONDUIT CONNECTOR 3/8 X 90.....	2
6	51831	PUMP CONDUIT BRACKET	2
7	55757	ASSY – OIL RETURN LINE.....	1
8	16808	SLEEVE, FITTING	2
9	16809	NUT, FITTING	2
10	17407	CONNECTOR, 1/2 MALE ELBOW	2
11	62009	TUBE ASSY – DISCON.TO PUMP (S/N KH032JJ toAH086JB) ...	1
11	55435	TUBE ASSY – DISCON.TO PUMP (S/N KH031JJ & LOWER)	1
11	24225	TUBE ASSY – DISCON.TO PUMP (S/NAH086JB & HIGHER) ...	1
12	16808	SLEEVE, FITTING	3
13	16809	NUT, FITTING	3
14	55434	TUBING, DISCONNECTTO PUMP (S/N KH031JJ & LOWER)	1
14	62002	TUBING, DISCONNECTTO PUMP (S/N KH032JJ toAH086JB)	1
14	66676	TUBING, DISCONNECTTO PUMP (S/NAH086JB & HIGHER)	1
√ 15	17430(use 69289)	UNION, MALE FITTING	1
√ 16	67583	MOTOR – FILTER PUMP	1
17	62050	NIPPLE 1/4 NPT X 2.0.....	1
√ 18	52125	AIR-SOLENOID VALVE 120V	1
√ 18	54908	AIR-SOLENOID VALVE 240V	1
19	FP02-024	NIPPLE 3/8 CLOSE	1
20	16807	FITTING, CONNECTOR, MALE.....	1
21	54486	AIR VALVE – FLEXIBLE CONDUIT	1
22	FP01-122	REDUCER 3/8 TO 1/2.....	1
23	35472	CHECK VALVE – PRESSURE	1
24	FP02-007	NIPPLE 3/8 X 1-1/2.....	1
25	17437	PUMP SUBASSY 5 GPM	1
√ 26	17447	ROTOR - PUMP.....	1
√ 27	17446	ROLLER - TEFLON SET	1
√ 28	17453	PUMP O RING GASKET.....	1
√ 29	SC01-132	1/4-20 X 5/8 SOC HD CAP SCREW.....	4
√ 30	17454	BODY - PUMP	1
√ 31	17456	PUMP SHIELD.....	2
√ 32	17451	COVER - PUMP	1
√ 33	SC01-020	PLUG 1/4 HEX COUNTERSUNK.....	1
√ 34	SC01-026	SCREW 5/16-18 X 3/4 HEX HD C.....	2
35*	85777	1/2” PUMPAND MOTOR	1

√ recommended parts

*not shown

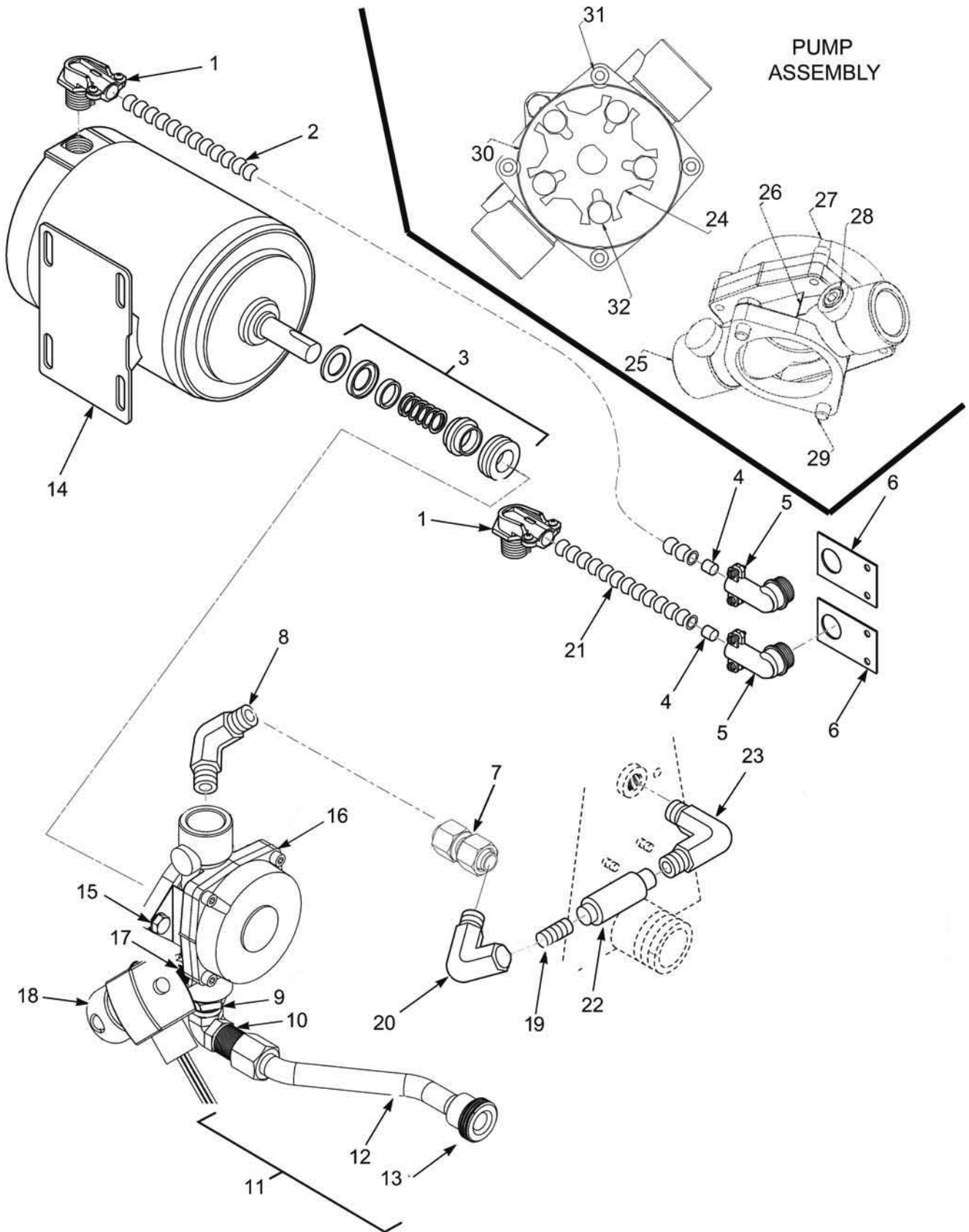


Figure 3-9. Filter Pump Assembly (SN: LH016JC & Above)

Figure & Item No.	Part No.	Description	Qty.
3-9		FILTER PUMP ASSEMBLY (SN: LHJ016JC & above)	
1	18107	CONDUIT CONNECTOR 3/8 X 90.....	2
2	54484	BLOWER/PUMP – FLEXIBLE CONDUIT.....	1
√ 3	17476	PUMP SEAL KIT	1
4	18105	ANTI SHORT 3/8 INCH	2
5	18644	CONDUIT CONNECTOR 3/8 X 90.....	2
6	51831	PUMP CONDUIT BRACKET	2
7	65080	ASSY – PUMP TO CHECK VALV TUBE-390/690	1
8	FP01-169	CON - 90 MALE 3/4 TUBE 3/4 NPT.....	1
9	FP01-089	BUSHING - REDUCING - 3/4M TO 1/2.....	1
10	17407	CONNECTOR, 1/2 MALE ELBOW	1
11	66574	ASSY – DISCON. TO PUMP.....	1
12	65079	. ASSY – DISCON. TO PUMP TUBE	1
√ 13	17430(use69289)	. UNION, MALE FITTING.....	1
14	67583	MOTOR – FILTER PUMP	1
15	LW02-014	LOCKWASHER - 5/16 INT STAR	1
16	64218	ASSY - FILTER PUMP 8 GPM.....	1
17	62050	NIPPLE 1/4 NPT X 2.0.....	1
√ 18	52125	AIR-SOLENOID VALVE 120V	1
√ 18	54908	AIR-SOLENOID VALVE 240V	1
19	FP02-037	NIPPLE 3/4 X 2.5 LG BL.....	1
20	FP01-168	CON - 90 FEMALE 3/4 TUBE 3/4 NF.....	1
21	54486	AIR VALVE – FLEXIBLE CONDUIT	1
22	21800	VALVE - 3/4 CHECK	1
23	FP01-173	ELBOW - 3/4 NPT X 90 MALE NICKEL.....	1

√ recommended parts

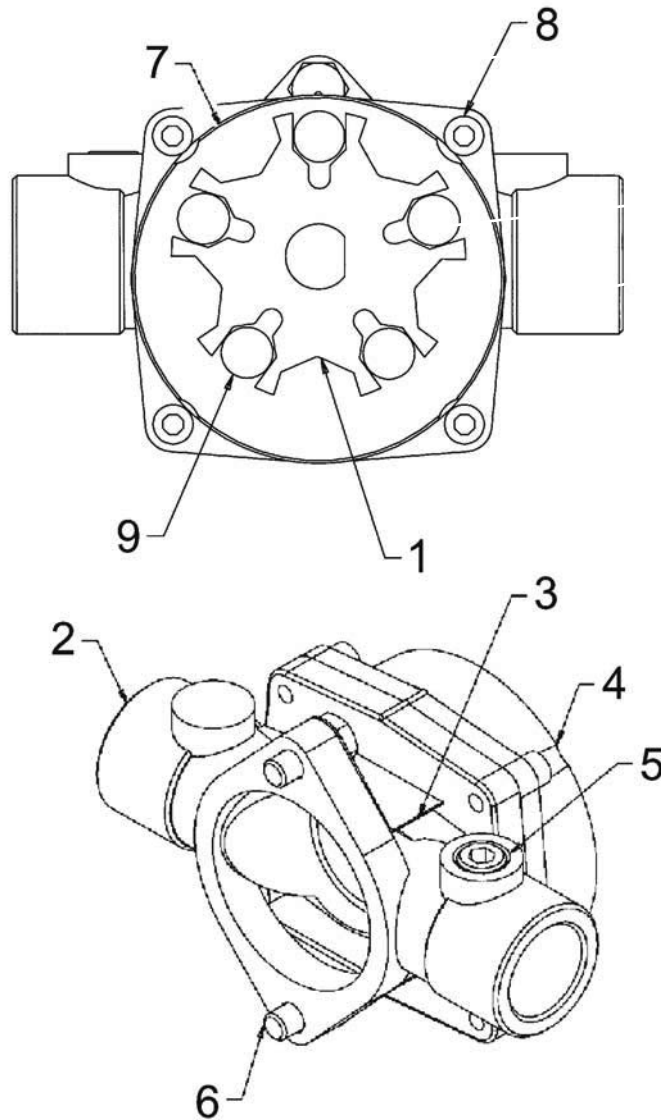


Figure & Item No.	Part No.	Description	Qty.
	64218	FILTER PUMP ASSEMBLY	
√ 1	23468	PUMP SUBASSY 8GPM	
√ 2	23647	ROTOR - 8 GPM PUMP	1
√ 3	17456	BODY - 8 GPM PUMP	1
√ 4	23470	PUMP SHIELD	2
√ 5	FP01-020	CAP - 8 GPM PUMP	1
√ 6	FP01-020	PLUG 1/4-18 HEX LEVEL SEAL	1
√ 7	SC01-026	SCREW 5/16-18 X 3/4 HEX HD C.....	2
√ 8	17453	SCREW 5/16-18 X 3/4 HEX HD C.....	2
√ 9	SC01-132	PUMP ORING GASKET	1
	23469	1/4-20 X 5/8 SOC HD CAP SCREW	4
		ROLLER - 8 GPM PUMP	5

√ recommended parts

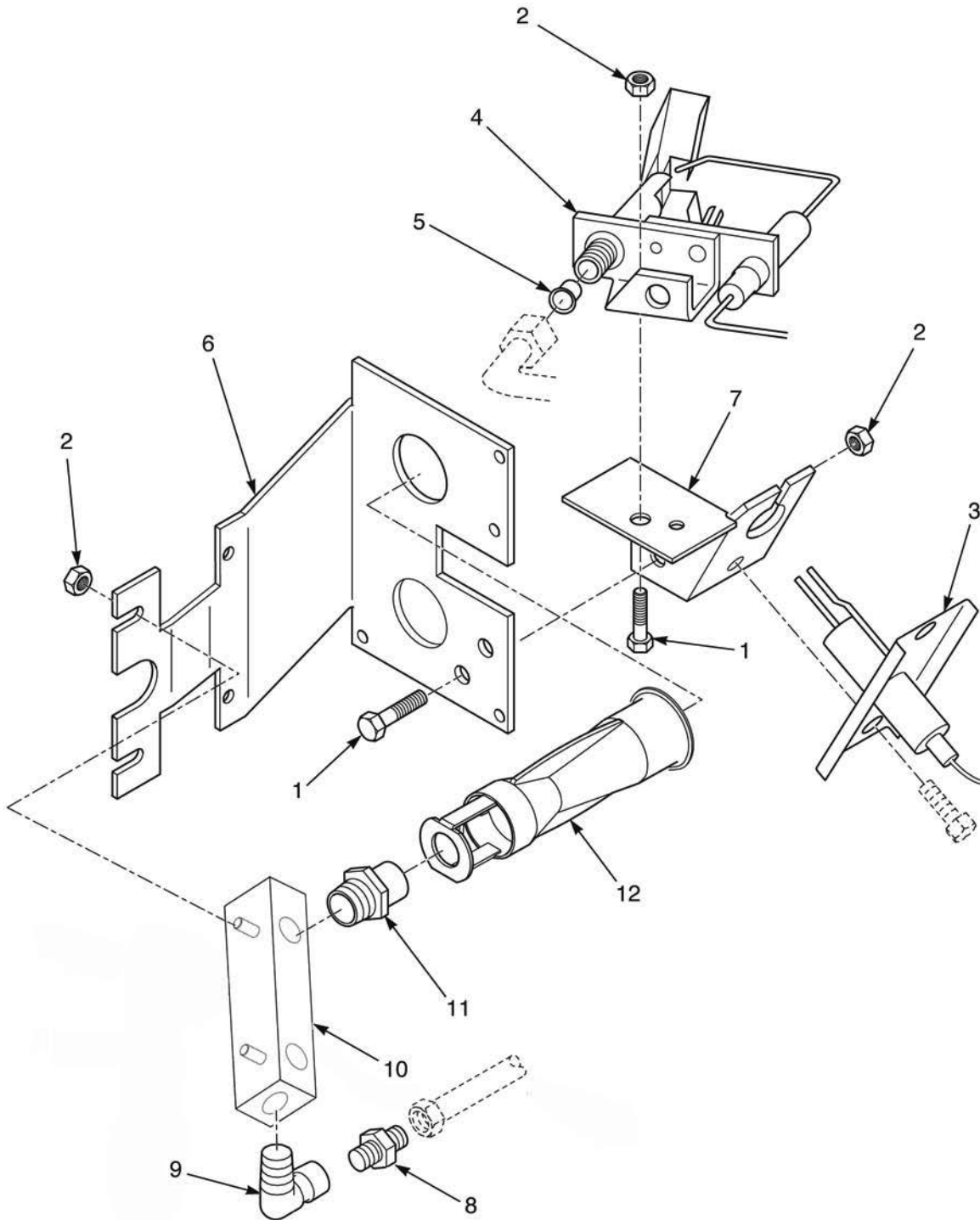


Figure 3-10. Gas Burner Assembly

Figure & Item No.	Part No.	Description	Qty.
3-10		GAS BURNERASSEMBLY	
0*	56990-01	BURNERASSY – NATURAL	2
0*	56990-02	BURNERASSY – LP	2
0*	56990-03	BURNERASSY – NATURAL CE	2
0*	56990-04	BURNERASSY – LPCE	2
0*	56990-05	BURNERASSY – PROPANE/BUTANE MIX	2
0*	56990-07	BURNERASSY – NATURAL JAPAN	2
0*	56990-06	BURNERASSY – LP/BUTANE MIX 70% PRO 30% BU.....	2
1	SC01-084	. SCREW #10-32 X 3/8 HEX HD S.....	8
2	NS02-001	. NUT HEX KEPS #10-32 C.....	8
√ 3	52074	. FLAME SENSOR.....	1
√ 4	52075	. PILOT & IGNITOR ASSY – NATURAL	1
√ 4	21333	. PILOT & IGNITOR ASSY – LP	1
5	54877	. . ORIFICE, PILOT – NATURAL, CE NATURAL	2
5	60614	. . ORIFICE, PILOT – LP, CE LP, PROPANE, BUTANE MIX	2
6	51735	. BURNER MOUNTING BRACKET	1
7	56708	. PILOT/FLAME SENSOR BRACKET.....	1
8	FP05-010	. CONNECTOR, 3/8 TUBE TO 1/4 NPT.....	2
9	FP01-117	. STREET ELBOW, 1/4 NPT B.I.	2
10	14852	. KIT - 390/690 GAS MANIFOLD.....	2
11	51725	. ORIFICE, BURNER – NATURAL	2
11	51730	. ORIFICE, BURNER – LP.....	2
11	55452	. ORIFICE, BURNER – CE NATURAL	2
11	55453	. ORIFICE, BURNER – CE LP	2
11	56219	. ORIFICE, BURNER – PROPANE/BUTANE MIX	2
11	40905	. ORIFICE, BURNER – LPBUTANE MIX 70% PRO 30% BU.....	2
11	56637	. ORIFICE, BURNER – NATURAL JAPAN	2
12	52066	. BURNER INSHOT	4
13*	14221	. CONVERSION KIT – LP TO NAT.	1
13*	14222	. CONVERSION KIT – NAT. TO LP	1
13*	14269	. CONVERSION KIT – LP TO NAT.-JAPAN	1
13*	14321	. CONVERSION KIT – LP TO NAT.-CE	1
13*	14322	. CONVERSION KIT – NAT. TO LP-CE	1
14*	54902	WIRE GUARD - BURNER - BELOW S/N HH001JJ.....	2

√ recommended parts
 *not shown

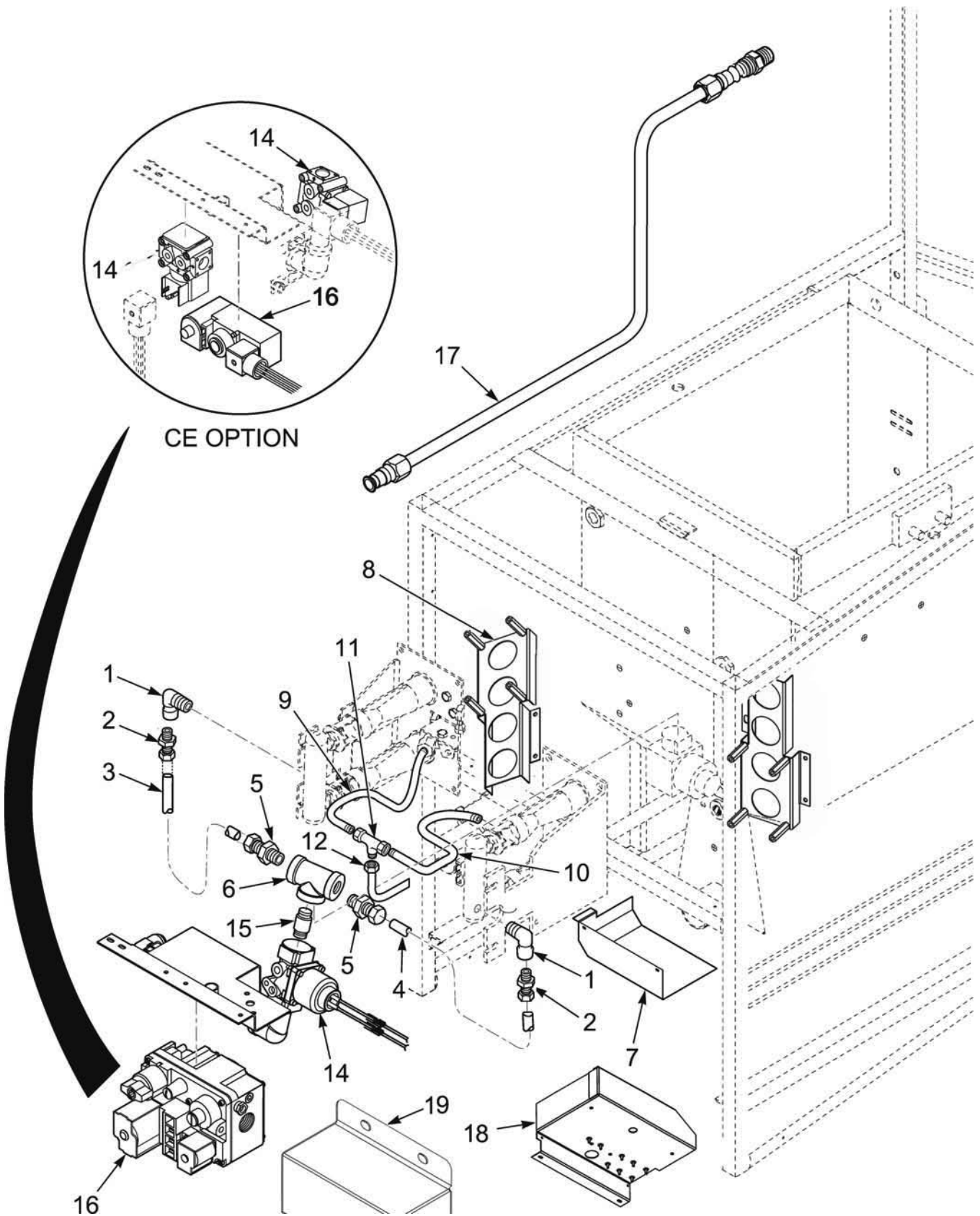


Figure 3-11. Gas Piping and Controls

Figure & Item No.	Part No.	Description	Qty.
3-11		GAS PIPING AND CONTROLS	
1	FP01-117	ELBOW	2
2	FP05-010	FITTING 3/8 TUBE TO 1/4 NP.....	2
3	65173	MANIFOLD TUBE – LEFT	1
4	65173	MANIFOLD TUBE – RIGHT.....	1
5	FP01-115	NIPPLE – 3/8 to 1/2 NP.....	2
6	FP01-112	1/2 NPT FEMALE PIPE TEE B.I.....	1
7	54875	MODULE COVER	1
8	52785	BURNER SHIELD ASSY	2
	68536	BURNER SHIELD STUD ASSY	2
	51731	STANDOFF-BURNER	8
9	69441	PILOT TUBE – LEFT BURNER.....	1
10	69442	PILOT TUBE – RIGHT BURNER.....	1
11	FP05-011	TEE – 1/4 X 1/4 X 1/4 BR COMPR.....	1
12	69442	PILOT TUBE – VALVE TO TEE.....	1
13*	21452	GAS VALVE ASSY 24V – CE – NATURAL GAS	1
13*	21453	GAS VALVE ASSY 24V – CE – LPGAS	1
√ 14	38468	. SOLENOID GAS VALVE – 24V 60 HZ (S/N IH024JJ & HIGHER) – NON CE	1
√ 14	34802	. SOLENOID GAS VALVE – 24V 50 HZ (S/N IH024JJ & HIGHER) – CE	2
15	FP01-028	. NIPPLE, CLOSE 1/2 NPT SS 1L.....	1
√ 16	80761	. COMBINATION GAS VALVE – NAT.- (S/N: AP0907006 & ABOVE)-NON CE (USED IN 52476).....	1
√ 16	80858	. COMBINATION GAS VALVE – LP- (S/N: AP0907006 & ABOVE)NONCE	1
√ 16	140056	KIT-GAS VALVE- NAT/LP- (S/N: AP0907005 & BELOW)-NON CE	1
16	140042	KIT-GAS VALVE- NAT/LP- (S/N: AP0907005 & BELOW)-NON CE FOR UNITS BUILT WITHOUT 38468 SOLENOIDS.....	1
√ 16	21451	. COMBINATION GAS VALVE – CE (USED IN 21452).....	1
√ 16	21450	. COMBINATION GAS VALVE – CE (USED IN 21453).....	1
17	52122	MAIN GAS SUPPLY LINE ASSY	1
17	55433	MAIN GAS SUPPLY LINE ASSY - CE (before 6-14-07).....	1
17	76333	MAIN GAS SUPPLY LINE ASSY - CE (6-14-07 & after).....	1
18	59189	STUD ASSY - MODULE ENCLOSURE.....	1
19	51741	WIRE COVER - GAS VALVE	1
20*	FP01-200	FITTING - GAS INLET BSPT.....	1

√ recommended parts

*not shown

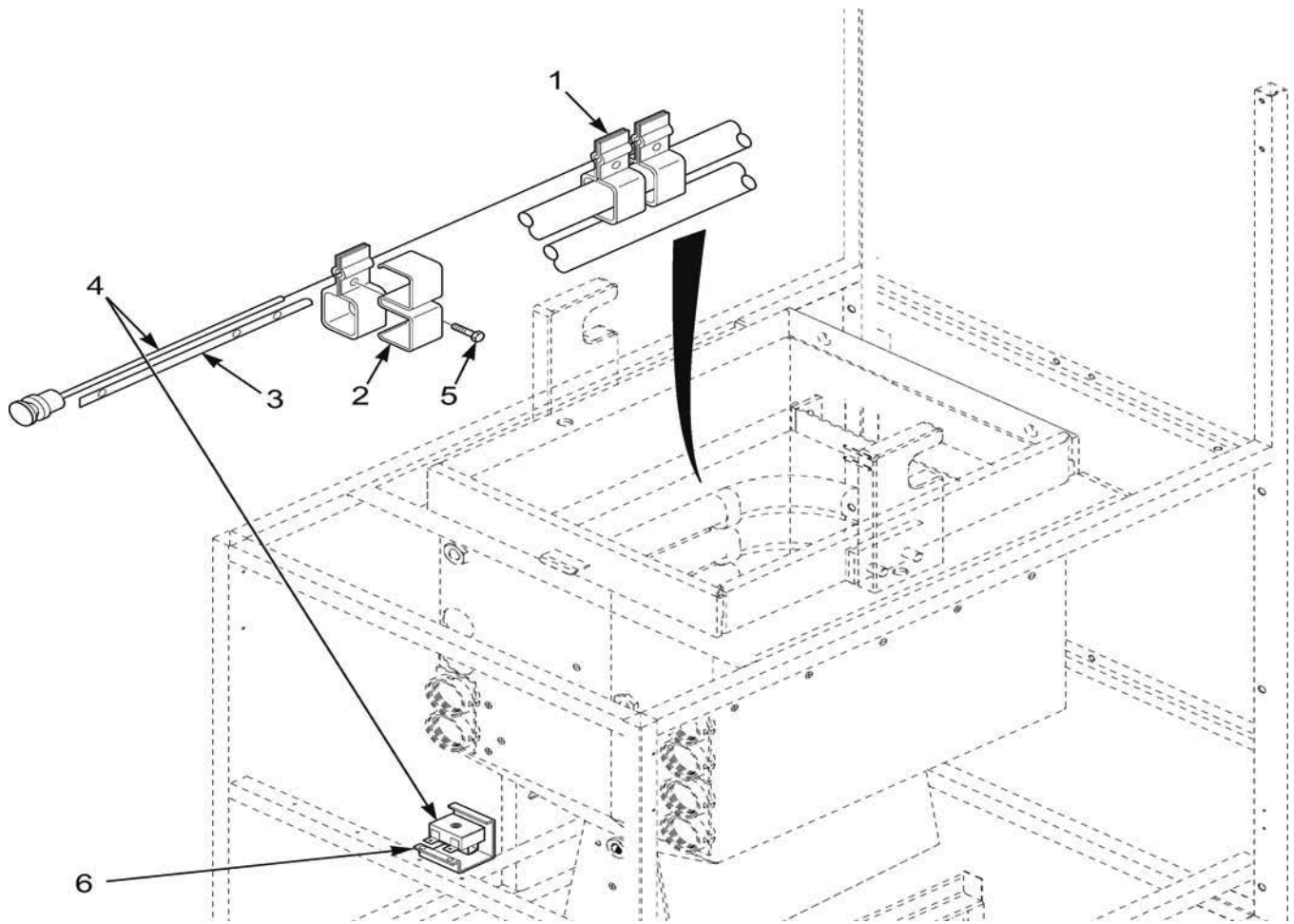


Figure & Item No.	Part No.	Description	Qty.
3-12		BURNER TUBES	
1	54480	BRACKET ASSY – HIGH LIMIT SENSING BULB.....	3
2	62051	CLIP – SPREADER – HEAT TUBE	6
3	53670	SPACER – HIGH LIMIT	1
√ 4	16738	450 HIGH LIMIT – ELECTRIC – NON CE.....	1
√ 4	60241	425 HIGH LIMIT – ELECTRIC – CE.....	1
5	SC01-211	SCREW #10-32 X 1/2 IND HEX HD S.S.....	3
6	17216	BRACKET ASSY – HIGH LIMIT	1
7*	16268	THERMOCOUPLE FITTING - POT (for High Limit)	1

√ recommended parts

*not shown

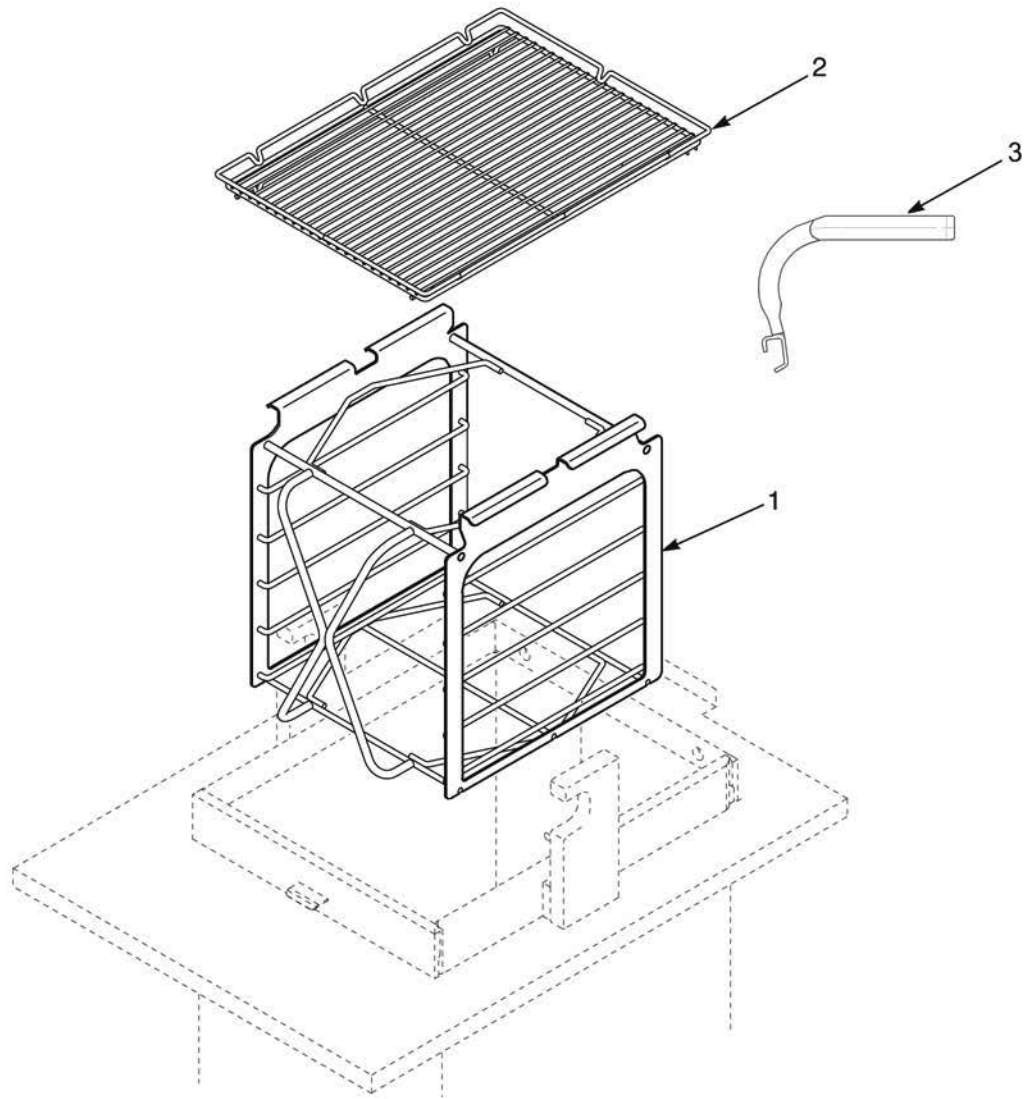


Figure & Item No.	Part No.	Description	Qty.
3-13		CARRIER ANDRACKS	
1	62183	CARRIER ASSY	1
2	44782	RACK HALF SIZE – 8 HEADFRYER	5
2	62181*	390 BASKET (OPTIONAL)	4
3	35308	WELDMENT - RACKHANDLE	1
4	21519*	COVER - WIRE RACK (OPTIONAL)	1

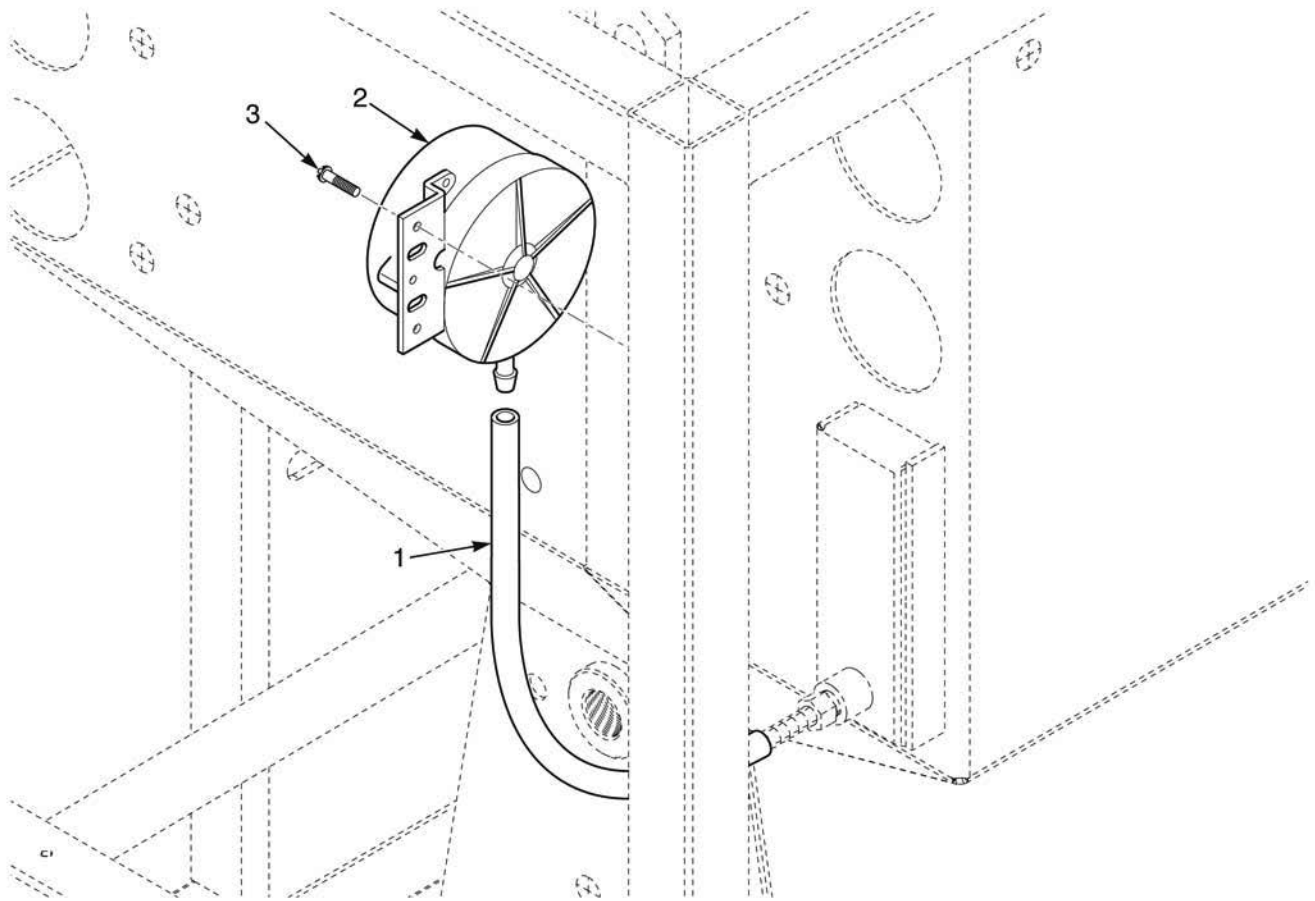


Figure & Item No.	Part No.	Description	Qty.
3-14		VACUUM SWITCH	
1	60202	TUBE-VACUUM SWITCH	1
√ 2	14240	KIT - VACUUM SWITCH - VERTICAL	1
√ 2	55607	VACUUM SWITCH – VERTICAL	1
3	SC03-005	SCREW	3

√ recommended parts

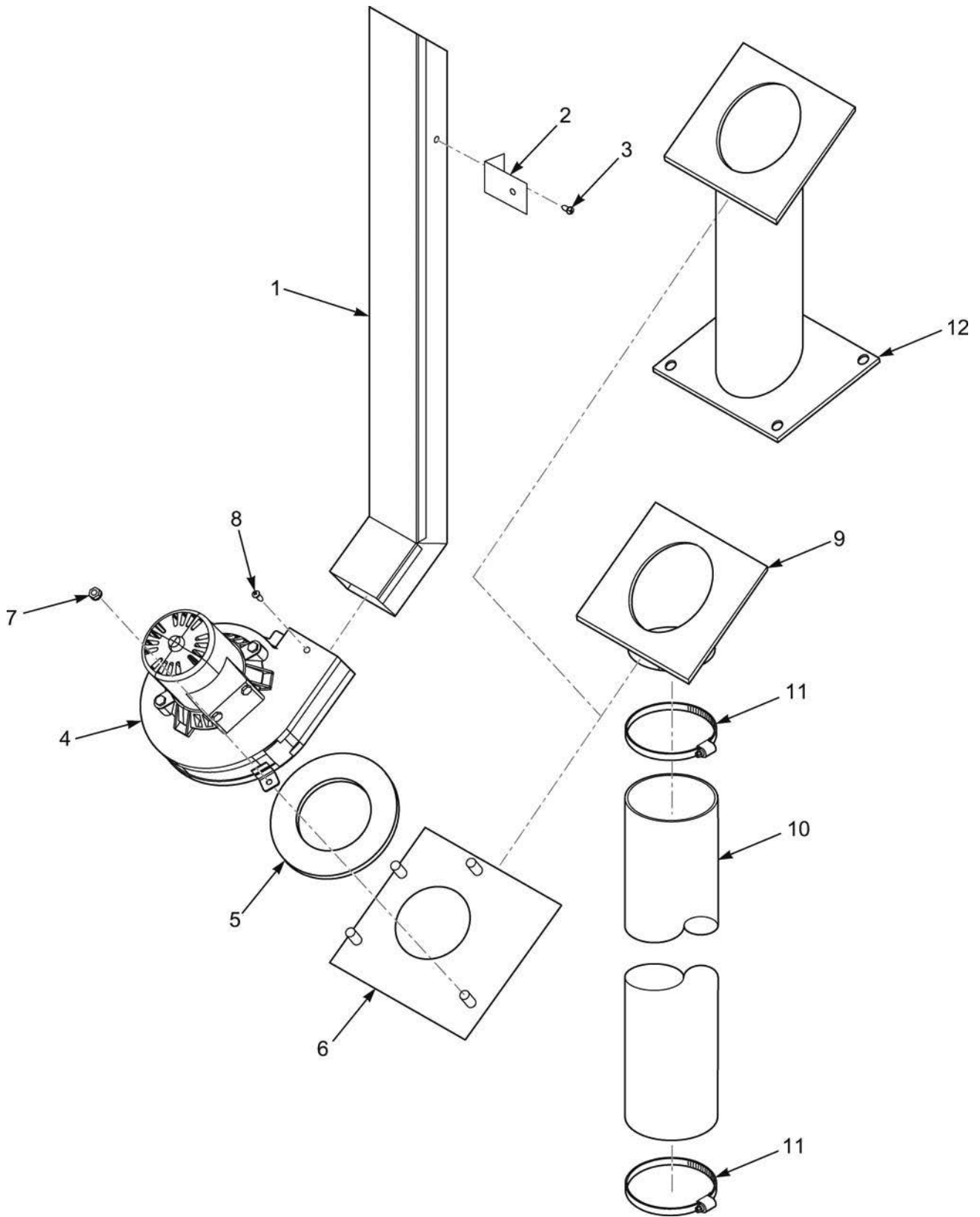


Figure 3-15. Flue Assembly and Blower
SN: BT0802002 & BELOW

Figure & Item No.	Part No.	Description	Qty.
3-15		FLUE ASSEMBLY AND BLOWER (SN: BT0802002 & BELOW)	
1	55681	FLUE ASSY – WELDMENT	1
2	55783	BRACKET – FLUE RETAINING	1
3	SC03-005	SCREW SD #8 X 1/2 PH PHD	2
√ 4	14420	120V BLOWER – FLUE EXHAUST W/INSULATION ..	1
√ 4	14421	100V BLOWER – FLUE EXHAUST W/INSULATION ..	1
√ 4	14422	240V BLOWER – FLUE EXHAUST W/INSULATION ..	1
5	21329	. INSULATION – BLOWER	1
6	55673	STUD ASSY – BLOWER MOUNT PLATE	1
7	NS02-002	NUT KEPS 1/4-20 C	4
8	SC02-041	#8-32 X 7/16 PH IND XTRNL TRX	2
9	55675	ASSY – INSUL/BLOWER INLET -NAT GAS ONLY	1
10	52103	DILUTION HOSE/BLOWER-NAT GAS ONLY	1
11	MS01-429	HOSE CLAMP – 3 9/16-4 1/2 PL-NAT GAS ONLY	2
12	32743	DILUTION HOSE ASSEMBLY-LP GAS ONLY	1
13*	14384	KIT, FLUE DUCTS – BUT ANE	1
14*	54905	DILUTION BOX COVER - CE (0-3,999 FT)	1
14*	55880	DILUTION BOX COVER - LP-CE (OVER 3,999 FT)	1
14*	55881	DILUTION BOX COVER - NAT-CE (OVER 3,999 FT)	1

√ recommended parts

*not shown

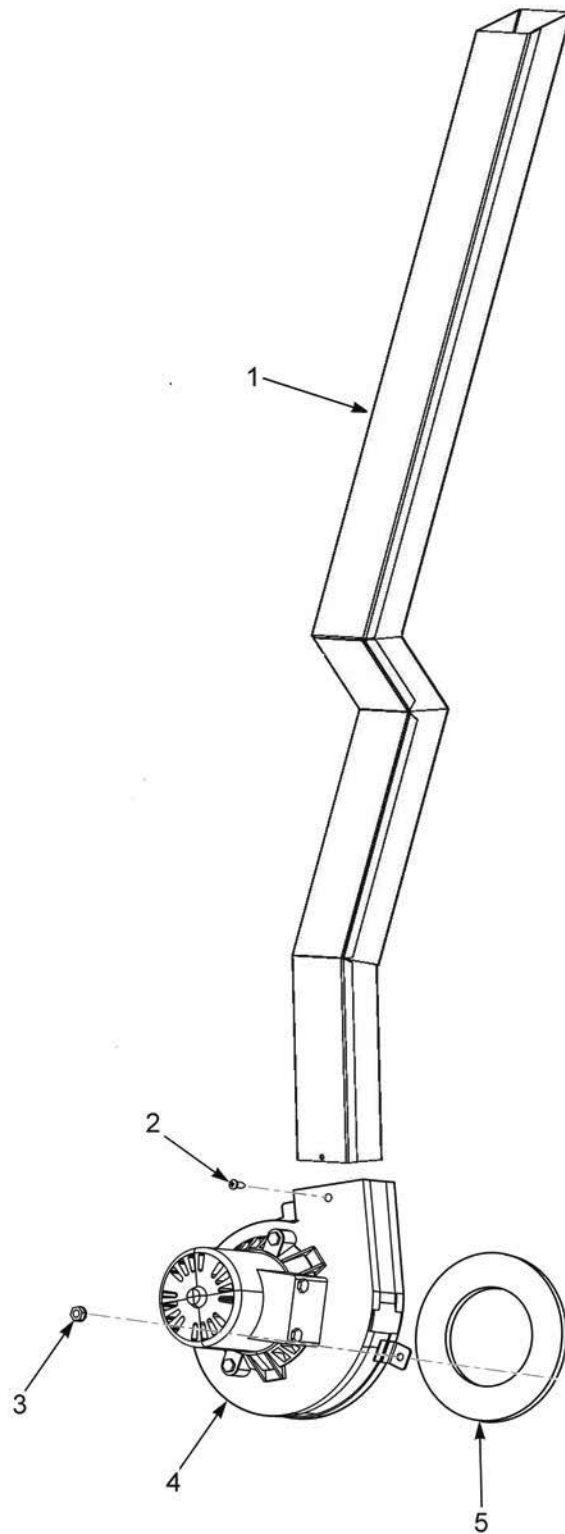


Figure 3-16. Flue Assembly and Blower
SN: BT0802003 & ABOVE

Figure & Item No.	Part No.	Description	Qty.
3-16		FLUE ASSEMBLY AND BLOWER (SN: BT0802003 & ABOVE)	
1	70582	FLUE ASSY – WELDMENT	1
2	SC02-041	#8-32 X 7/16 PH IND XTRNL TRX	1
3	NS02-002	NUT KEPS 1/4-20 C	5
√ 4	14986	120V BLOWER – FLUE EXHAUST W/INSULATION..	1
√ 4	14988	100V BLOWER – FLUE EXHAUST W/INSULATION..	1
√ 4	14987	240V BLOWER – FLUE EXHAUST W/INSULATION..	1
5	21329	. INSULATION – BLOWER	1

√ recommended parts

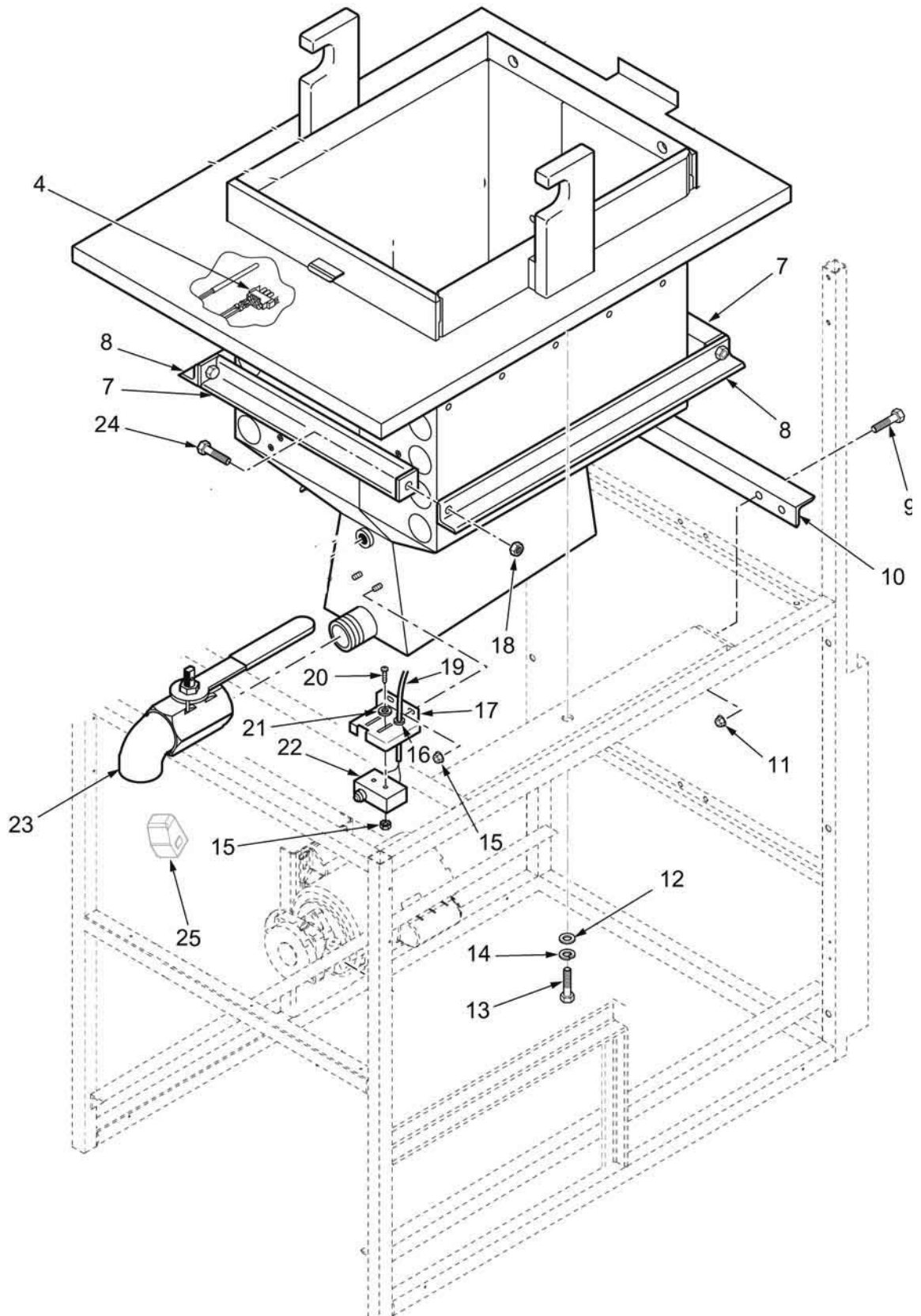
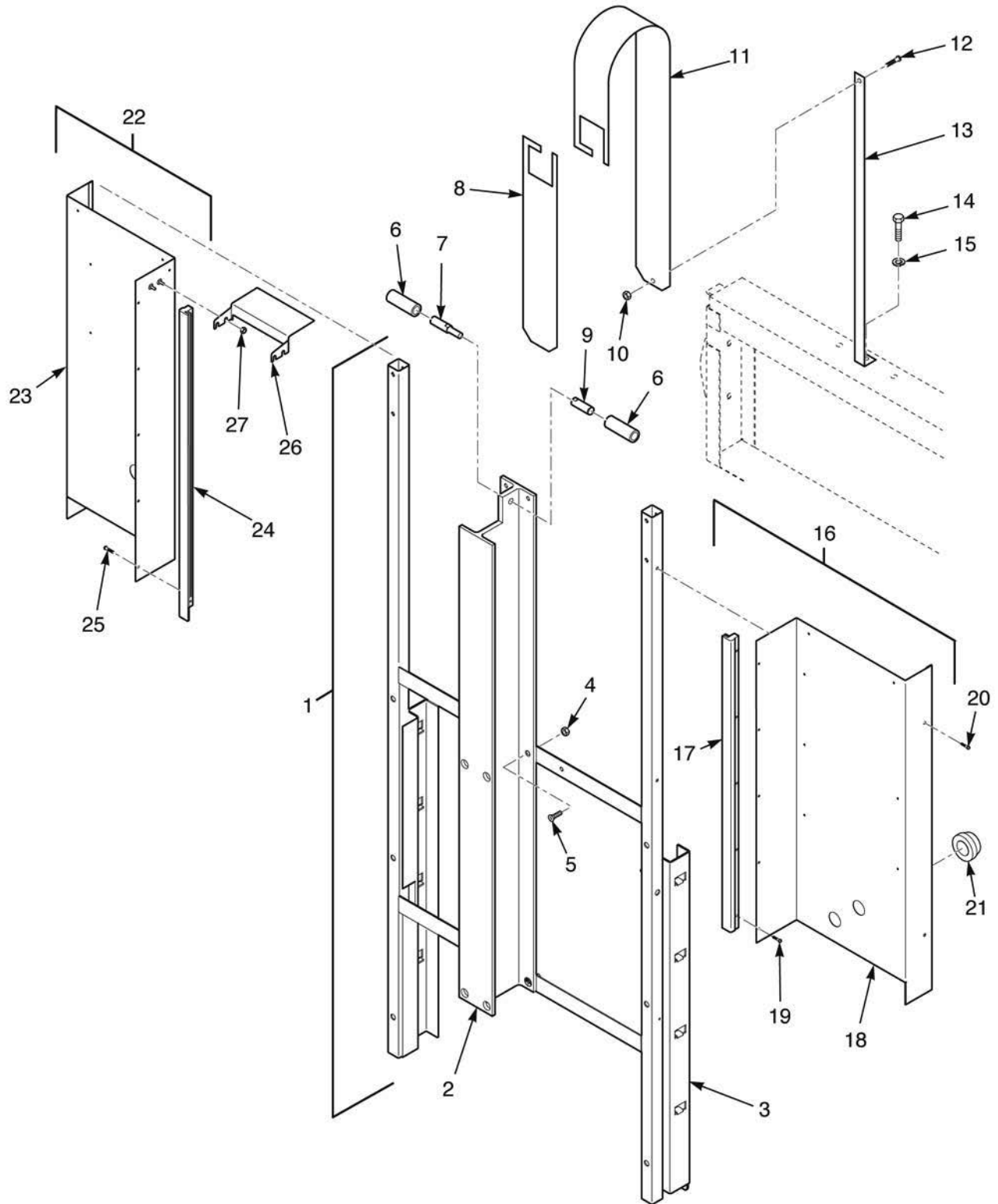


Figure 3-16. Frypot and Drain Piping

Figure & Item No.	Part No.	Description	Qty.
3-16		FRYPOT AND DRAIN PIPING	
√ 4	14330	PROBE ASSY – DOMESTIC	1
√ 4	14266	KIT-CE PROBE CONNECTOR RETROFIT (probe not included) .. (CE units built prior to NOV1, 1999)	1
5	16226	NIPPLE 1/2 X 3-1/2.....	2
6	16239	ELBOW	1
7	51792	POT BRACE, FRONT AND REAR	2
8	51790	POT BRACE, SIDE	2
9	SC01-022	SCREW 1/4-20 X 3/4 HEX HD.....	4
10	51874	SUPPORT, REAR.....	1
11	NS02-002	NUT 1/4-20	4
12	WA01-018	WASHER 3/8 FLAT	2
13	SC01-042	SCREW 3/8-16 X 1 HEX HD.....	2
14	LW01-010	LOCKWASHER 3/8 SPLIT RING	2
15	NS02-005	NUT #6-32 HEX	4
16	EF02-017	STRAIN RELIEF.....	1
17	51891	BRACKET, SWITCH (BELOW SN: BT0404001)	1
17	67618	BRACKET, SWITCH (SN: BT0404001 & ABOVE)	1
18	NS01-016	NUT 7/16-14 HEX.....	4
19	52519	CORD ASSY., DRAIN INTERLOCK	1
20	SC01-058	SCREW #6-32 X 1 PH. PAN HD.	2
21	WA01-006	WASHER #6.....	2
√ 22	54228	DRAIN SWITCH W/BOOT	1
23	21355	DRAIN VALVE W/EXTENSION (BELOW SN: LH016JC)	1
23	66446	DRAIN VALVE W/EXTENSION (SN: LH016JC & ABOVE)	1
24	SC01-217	SCREW 7/16-14 X 1-1/4 HEX HD.....	4
25	67617	BRACKET - MICROSWITCH TRIGGERING	1
		(SN: BT0802002 & BELOW)	
26*	76683	PLATE - D/I SWITCH COVER GAS.....	1

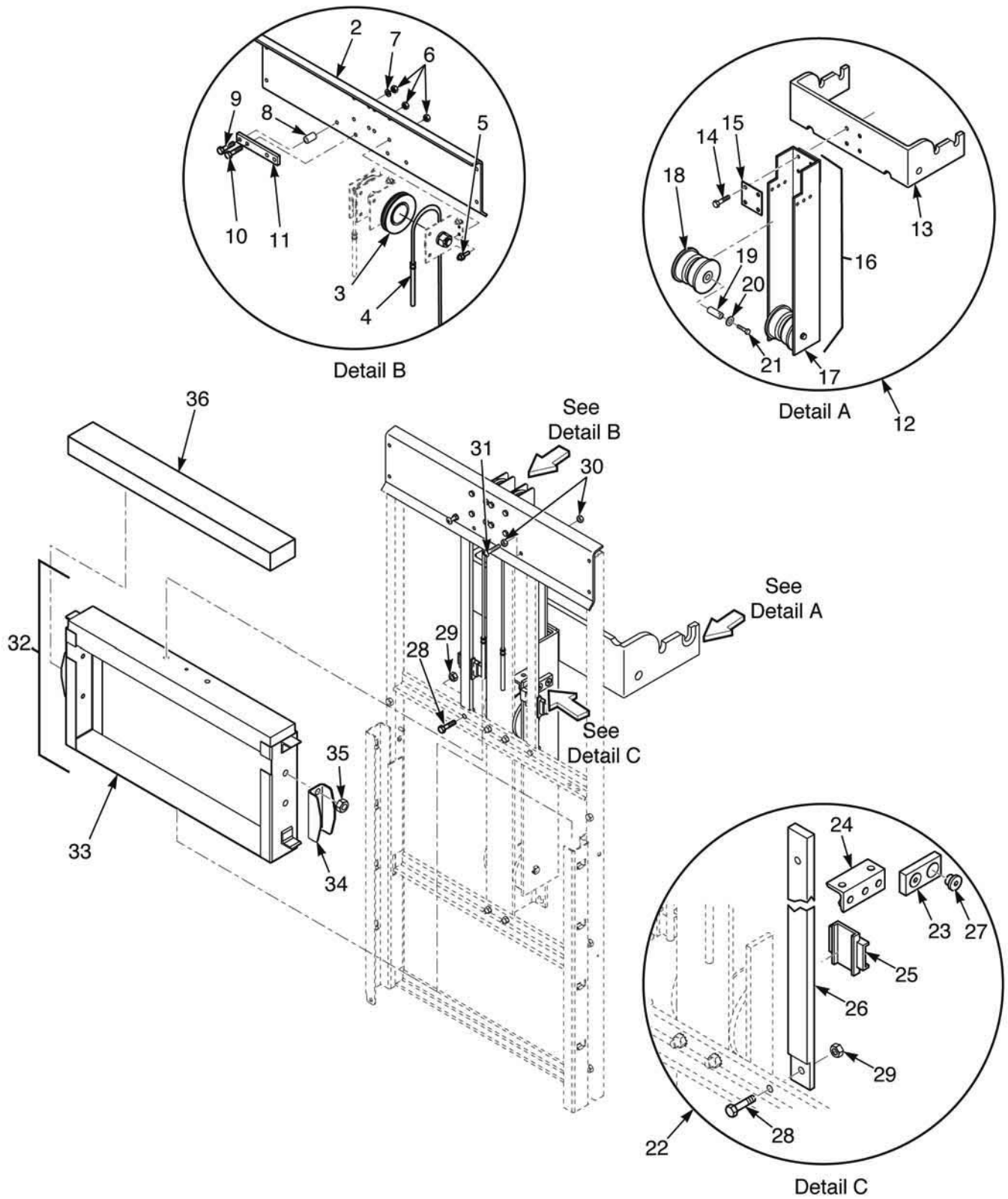
√ recommended parts



**Figure 3-17. Lift Beam and Shrouds
SN: BT0802002 & BELOW**

Figure & Item No.	Part No.	Description	Qty.
3-17		LIFT BEAMAND SHROUDS (SN: BT0802002 & BELOW)	
1	55678	ASSY – I-BEAM/LIFT FRAME	1
2	51548	. LIFT I-BEAM	1
3	55677	. LIFT FRAMEASSY – WELDMENT	1
4	NS02-008	. . NUT	4
5	SC01-212	. . SCREW	4
6	52474	STOP - LIFT U-CHANNEL.....	1
7	51595	STOP PIN MALE	1
8	56825	LIFT STRAP FILLER – LOWER.....	1
9	51594	STOP PIN – FEMALE	1
10	NS02-007	NUT	1
11	56824	LIFT STRAP FILLER – UPPER.....	1
12	SC01-034	SCREW – PH.....	1
13	52177	LIFT STRAP	1
14	SC01-052	BOLT	1
15	LW01-002	LOCK WASHER	1
16	52784	ASSY – FRONT SHROUD/RIGHT	1
17	21345	. SLIDE GUIDE – RIGHT	1
18	52482	. WELDMENT – FRONT SHROUD/RIGHT	1
19	SC01-023	. SCREW #6-32 X 1/4 PH RHD C.....	5
20	SC03-005	SCREW – PH.....	4
21	16804	UMBRELLA GROMMET	3
22	52521	ASSY – FRONT SHROUD/LEFT	1
23	62087	. ASSY – FRONT SHROUD, LEFT STUD.....	1
24	21346	. SLIDE GUIDE – LEFT.....	1
25	SC01-023	. SCREW #6-32 X 1/4 PH RHD C.....	5
26	62091	SHROUD SPACER/PULLY GUARD	1
27	NS02-005	NUT	4
28	14218*	SINGLE TO DOUBLE LIFT STRAP KIT.....	1

*not shown



**Figure 3-18. Counterweight and Pulley System
SN: BT0802002 & BELOW**

Figure & Item No.	Part No.	Description	Qty.
3-18		COUNTERWEIGHT AND PULLEY SYSTEM (SN: BT0802002 & BELOW)	
1	52475	PULLEY ASSY	1
2	51677	. PULLEY PLATE	1
3	35962	. BRACKET/WHEEL ASSY	2
√ 4	35207	. CABLE	2
5	SC01-022	. SCREW 1/4-20 X 3/4 HEX HD C	8
6	NS02-002	. NUT KEPS 1/4-20 C	12
7	WA01-002	WASHER	2
8	51590	SPACER	2
9	SC01-104	BOLT	2
10	SC01-022	BOLT	2
11	51591	I BEAM – PULLEY BRACE	1
12	54494	ASSY – LID ARM/U-CHANNEL	1
13	51692	. MACHINED – ARM – LID LIFT	1
14	55883	. SCREW 3/8–16 X 1-1/2 FT HH G	4
15	55598	. TORQUE PLATE – U-CHANNEL	1
16	54493	. ASSY – LIFT U-CHANNEL	1
17	51549	.. LIFT U-CHANNEL	1
18	66715	.. WHEEL – TRUCK	4
19	51593	.. SPINDLE – U CHANNEL WHEEL	4
20	LW01-001	.. LOCKWASHER SPLIT RING 3/8 ID	4
21	SC01-081	.. SCREW 3/8-24 X 3/4 HEX HD S	4
22	55873	STABILIZER COMPONENTS – ASSY	1
23	59113	. SUPPORT ARM – STABILIZER	2
24	51553	. ASSY – CABLE MOUNTING BRACKET	2
25	59112	. SLIDE – STABILIZER	2
26	59111	. BRACE – STABILIZER	2
27	SC01-226	. 5/16-18 X 1-1/4 FHD CAP SCREW	6
28	SC01-146	. SCREW 1/4-20 X 3/4 HEX HD C	2
29	NS02-002	. NUT KEPS 1/4-20 C	4
30	NS01-012	. NUT HEX 1/4-20 C	2
31	SC01-232	. 1/4-20 X 2.00 TRUSS HD PH ZI	2
32	54492	ASSY – CARRIAGE, WEIGHT	1
33	52118	. ASSY – WEIGHT BRACKET, STUD	1
34	62018	. GUIDE – COUNTER WEIGHT	2
35	NS02-002	. NUT KEPS 1/4-20 C	4
36	36627	COUNTERWEIGHT BAR	4

√ recommended parts

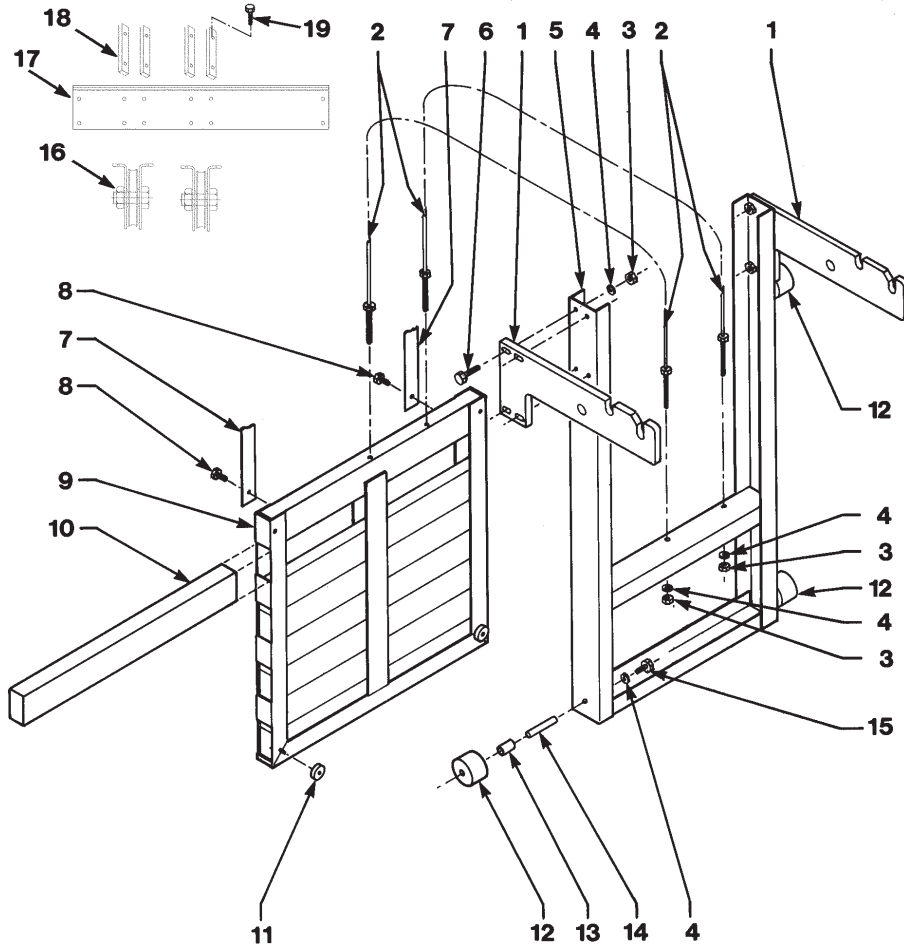


Figure & Item No.	Part No.	Description	Qty.
3-21		COUNTERWEIGHT SYSTEM (SN: BT0802003 & ABOVE)	
1	35026	ARM, LID SUPPORT T	2
√ 2	35207	CABLE	2
3	NS01-025	NUT, HEX 5/16-18 SS	10
4	LW01-010	WASHER, 3/8 SPLIT RING SS	10
5	35092	CARRIAGE	1
6	SC01-069	SCREW, 3/8-16 X 1-1/2 HEX HD S2P	8
7	36839	SLIDE	2
8	SC01-042	SCREW, 3/8-16 X 1 HEX C	2
9	36625	WELD ASSEMBLY, C/W CARRIAGE	1
10	36627	COUNTERWEIGHT BAR	7
11	36626	SPACER, C/W FRAME	2
12	37362	WHEEL, CARRIAGE	4
13	37363	SPACER, CARRIAGE WHEEL	4
14	37364	SPINDLE	4
15	SC01-081	SCREW, 3/8-24 X 3/4 HEX HD SS	4
16	35962	BRACKET/WHEEL ASSY.	2
17	36561	BRACE, TOP FRAME	1
18	35964	PLATE, SUPPORT PULLEY	4
19	SC01-132	1/2-20 X 5/8 SOC HD CAP SCREW	8

√ recommended parts

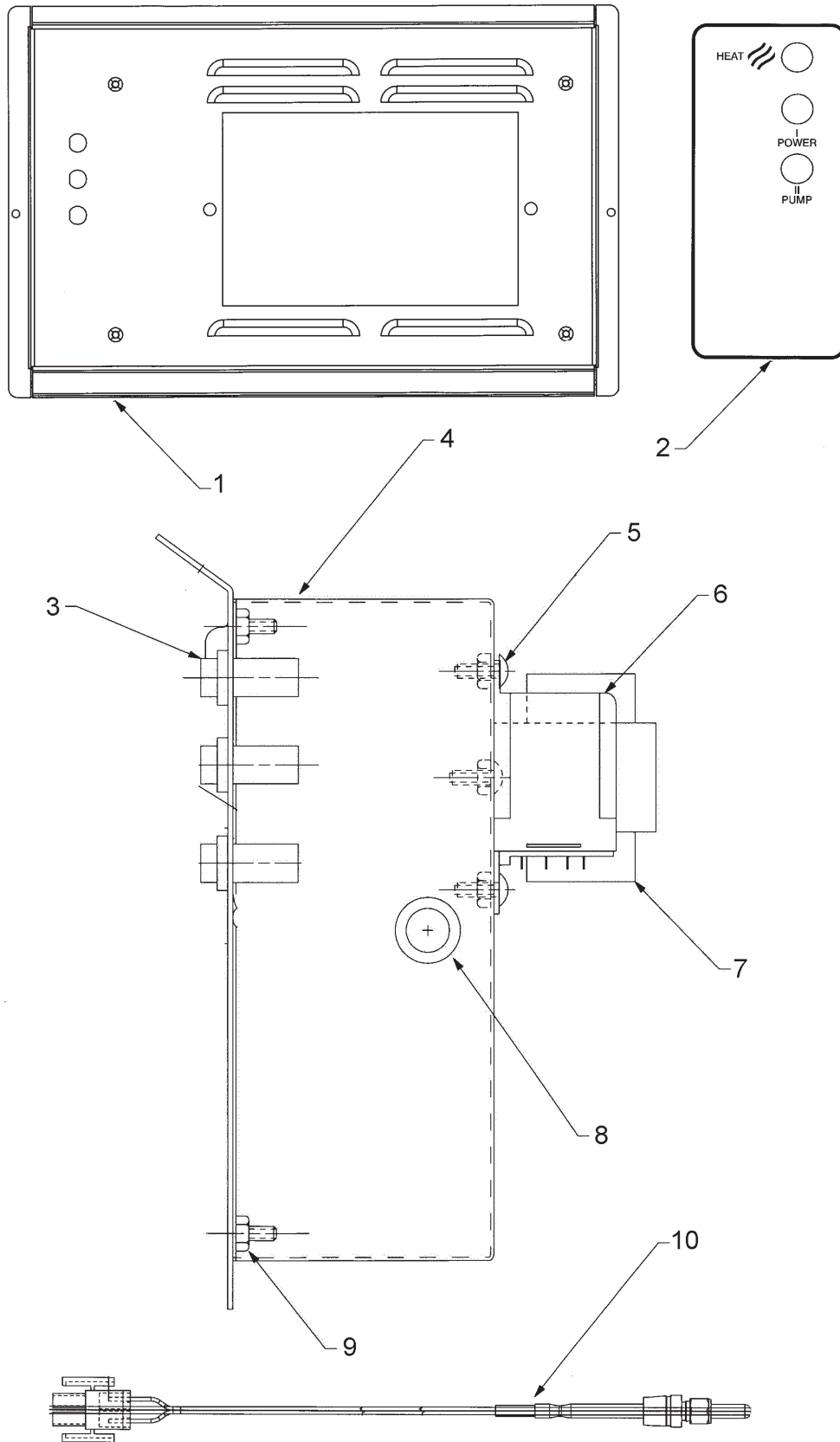


Figure 3-19. FAST Ready Parts

Figure & Item No.	Part No.	Description	Qty.
3-19		FAST READY PARTS	
1	66287	ASSY - 392/692 - 120VFAST HEADER	1
1	66288	ASSY - 392/692 - 230VFAST HEADER - CE	1
1	66385	ASSY - 392/692 - 220-240VFAST HEADER	1
1	66241	STUD ASSY - 392/692 CONTROLPNL.....	1
1	66296	STUD ASSY - 392/692 CONTROLPNL - CE ...	1
2	66289	DECAL - 392/692 FAST CONTROL.....	1
2	66294	DECAL - 392/692 FAST - CE CONTROL.....	1
√ 3	54085	LIGHT - CE INDICATOR, GREEN - CE.....	2
√ 3	16624	LIGHT - INDICATOR, RED	3
4	66239	BOX - SHIELD - 392/692.....	1
4	66302	BOX - SHIELD - 392/692 - CE	1
5	SC01-023	SCREW - #6-32 X 1/4 PH RHD C.....	11
√ 6	54472	POWER RELAY - 15A-120VAC	1
√ 6	56394	POWER RELAY - 10A-240VAC-DBL POLE	1
√ 6	60818	RELAY - 24VAC COIL (NON-CE)	3
√ 7	66259	ASSY - 120VFAST TRANSFORMER.....	1
√ 7	66261	ASSY - 230VFAST TRANSFORMER.....	1
8	EF02-072	BUSHING SPLIT 3/4.....	1
9	NS02-005	NUT HEX KEPS #6-32 C.....	11
√ 10	66244	ASSY - FAST 392/692 PROBE.....	1
√ 11*	66260	BOARD - 230V FAST I/O CONTROL - CE.....	1

√ recommended parts

*not shown