

HENNY PENNY

Model 500/61/600

FIGURE & ITEM NO.	PART NUMBER	DESCRIPTION	UNITS PER ASSY
3-3		DEADWEIGHT VALVE ASSEMBLY	
1	16924	VALVE ASSEMBLY, Deadweight	1
2	56305	BODY, Deadweight Valve	1
3	16912	DECAL, DEADWEIGHT VALVE	1
4	PP91-127	1/2 x 1/2 90 Degree Street L.	1
5	59742	VALVE ASSEMBLY, Relief	1
6	16918	DEADWEIGHT ORIFICE	1
7	16903	DEADWEIGHT	1
8	16902	RING, Cap	1
9	56307	CAP, Deadweight Valve	1
10	16910	GUAGE, Pressure	1
11	16914	GLASS, Pressure Gauge	1
12	16909	ELBOW	1
13	56636	NIPPLE	1

(SAMPLE)

3-5. SUBASSEMBLIES

In some cases, items in the parts list can be purchased in groups (called subassemblies) instead of purchasing individual parts. The part list shows these subassemblies by indenting the description of the parts included within the subassembly. For example:

- TIMER, Automatic Reset
- SWITCH, Timer
- LIGHT, Timer Indicator
- COIL, Timer Buzzer

The items can be ordered separately (switch, light, or coil), or order the timer, and all three parts are included.

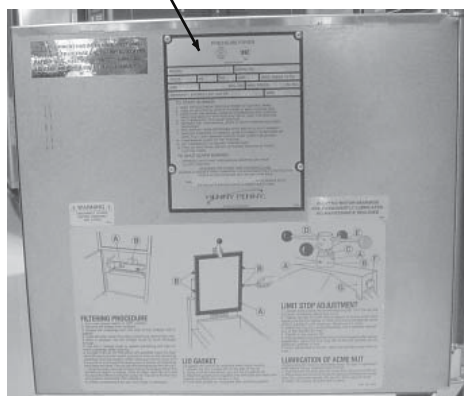
3-6. HOW TO ORDER PARTS

Once you have found the parts to be ordered, write down the following information:

1. From the parts list: (SAMPLE)

Figure number	<u>3-3</u>
Item number	<u>6</u>
Part number	<u>16918</u>
Description	<u>DEADWEIGHT ORIFICE</u>
Page number	<u>3-11</u>
Page date code	<u>401</u>

DATA PLATE



2. From the data plate on your unit: (SAMPLE)

Model number 500
Serial number 10133

3. The following table has been provided as a sample format you to use in preparing your spare parts orders. By providing all the entries, your distributor will be able to send you the correct parts. Also, prepayment expedites your order.

From Parts List					Your Order		
Figure & Item No.	Part Number	Description	Page No.	Page Code	Quantity Ordered	Price Each	Total Price
(SAMPLE)							
3-1-16	16706	KNOB, Thermostat	3-7	1001	2	2.00	4.00
3-2-47	16102	KNOB, Spindle, Red	3-9	401	1	2.00	2.00
MODEL NO. <u>500</u> SERIAL NO. <u>10133</u>					TOTAL ORDER		6.00

3-7. PRICES

Your distributor has a priced parts list and will be glad to inform you of the cost of your parts order.

3-8. DELIVERY

Commonly replaced items are stocked by your distributor and are shipped when your order is received. Other parts are ordered, by your distributor, from Henny Penny Corporation. Normally, these are sent to your distributor within 3 working days.

3-9. WARRANTY

All replacement parts (except lamps and fuses) are warranted for 90 days against manufacturing defects and workmanship. If damage occurs during shipping, notify the sender and the carrier at once, so that a claim is properly filed. Refer to warranty in the front of this manual for other rights and limitations.

3-10. RECOMMENDED SPARE PARTS FOR DISTRIBUTORS

Recommended replacement parts, stocked by your distributor, are indicated with √ in the parts lists. Please use care when ordering recommended parts, because all voltages and variations are marked. Distributors should order parts based upon common voltages and equipment sold in their territory.

3-11. INDEX OF PARTS LIST ILLUSTRATIONS

Title	Fig. No.	Page No.
CONTROL SHROUD and COMPONENTS (Electric Model) Single Phase	3-17	3-38
CONTROL SHROUD and COMPONENTS (Three Phase Electric Model)	3-16	3-36
CONTROL PANEL	3-1	3-6
COUNTERTOP INSULATION ASSEMBLY (Gas Model).....	3-10	3-24
DEADWEIGHT VALVE ASSEMBLY.....	3-3	3-9
DRAIN VALVE ASSEMBLY (Electric Model)	3-7	3-18
DRAIN VALVE ASSEMBLY (Gas Model)	3-6	3-16
ELECTRIC CONDUIT ASSEMBLY.....	3-23	3-54
ELECTRONIC IGNITION ASSEMBLY	3-24	3-56
EXHAUST STACK ASSEMBLY.....	3-4	3-11
FAN and HIGH TEMPERATURE LIMIT CONTROL (Gas Model)	3-8	3-20
FILTER DRAIN PAN and FILTER SCREEN ASSEMBLY	3-19	3-43
FILTER MOTOR and PUMP	3-21	3-49
FIREBOX and FLUE ASSEMBLY (Gas Model).....	3-11	3-26
FIREBOX INSULATION ASSEMBLY (Gas Model).....	3-12	3-28
FRAME and CABINET ASSEMBLY	3-18	3-40

3-11. INDEX OF PARTS LIST ILLUSTRATIONS (continued)

Title	Fig. No.	Page No.
FRY BASKET.....	3-9	3-22
FRYPOT and GAS BURNER ASSEMBLY (Gas Model).....	3-14	3-32
GAS CONTROL VALVE	3-13	3-30
HEATING ELEMENT and HIGH LIMIT ASSEMBLY (Electric Model)....	3-15	3-34
LID ASSEMBLY	3-2	3-7
LOWER FILTER PLUMBING COMPONENTS	3-20	3-46
SOLENOID VALVE ASSEMBLY	3-5	3-14
UPPER FILTER PLUMBING COMPONENTS.....	3-22	3-51

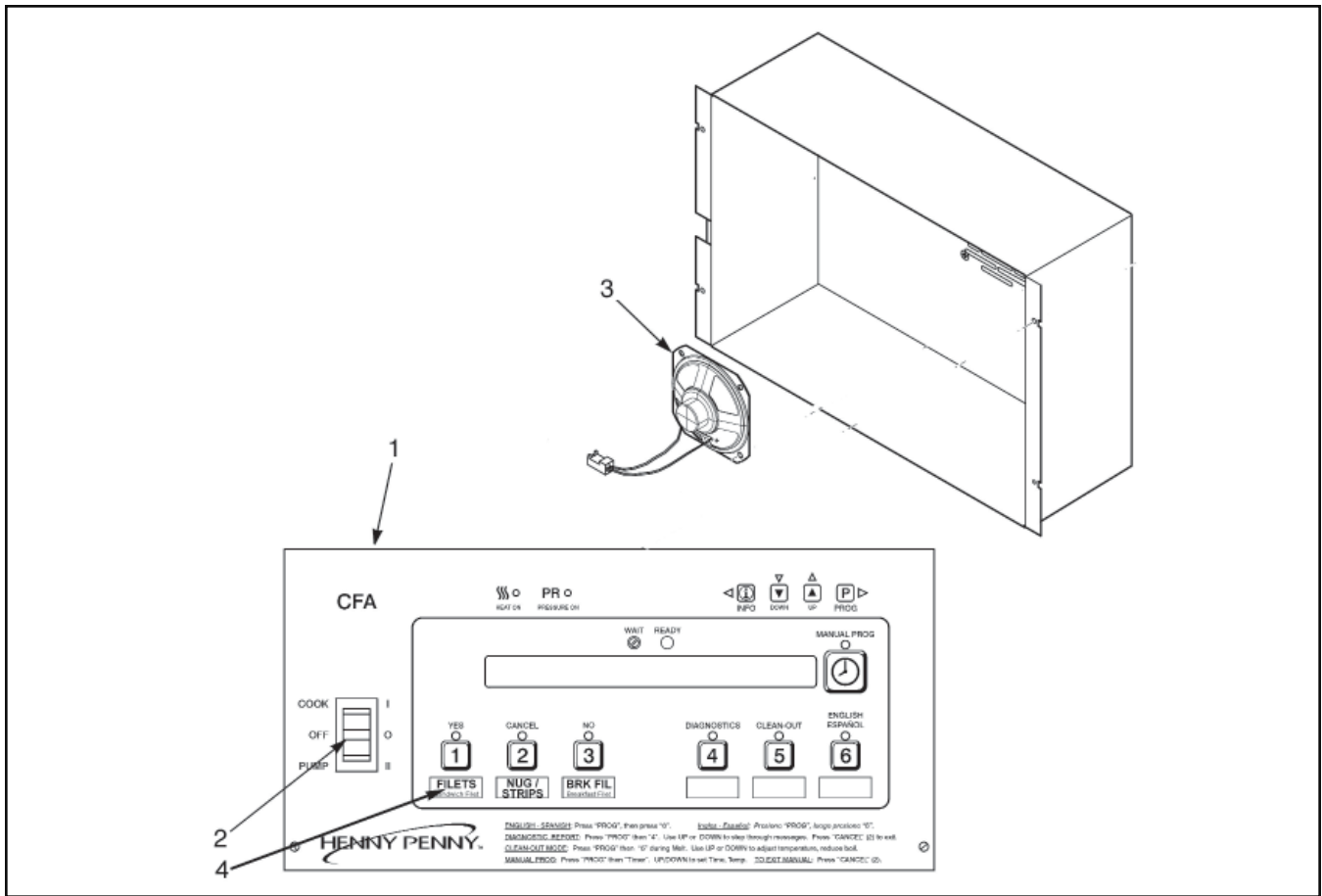


Figure 3-1. Control Panel

FIGURE & ITEM NO.	PART NUMBER	DESCRIPTION	UNITS PER ASSY
3-1			
√	67543RB	CONTROL PANEL COMPLETE - Bent Panel 500 - SN: KB020JJ & Below/600 - SN: KA020JJ & Below	1
√	67544RB	CONTROL PANEL COMPLETE - Flat Panel 500 - SN: KB021JJ to HB013JB/600 - KA021JJ to GA085JB	1
√	67830RB	CONTROL PANEL COMPLETE - Flat Panel 500 - SN: HB014JB & Above/600 - SN: GA086JB & Above	1
1	61576	DECAL, CFA - Bent Panel -SN: 500-KB020JJ & Below/600-SN: KA020JJ & Below	1
1	24281	DECAL, CFA - Flat Panel -SN: 500-KB021JJ to HB013JB/600-KA021JJ to GA085JB	1
1	32669	DECAL, CFA - Flat Panel '02 -SN: 500-HB014JB & Above/600-GA086JB & Above	1
√ 2	29898	COOK/PUMP SWITCH	1
√ 3	26974	SPEAKER ASSEMBLY	1
4	61725	MENU CARD - CFA COMPUTRON	1
5*	ME90-011	RELAY, 24VAC COIL (DPST)	1
6*	53669	GUARD, POWER SWITCH	1

√ Recommended Parts/* not shown

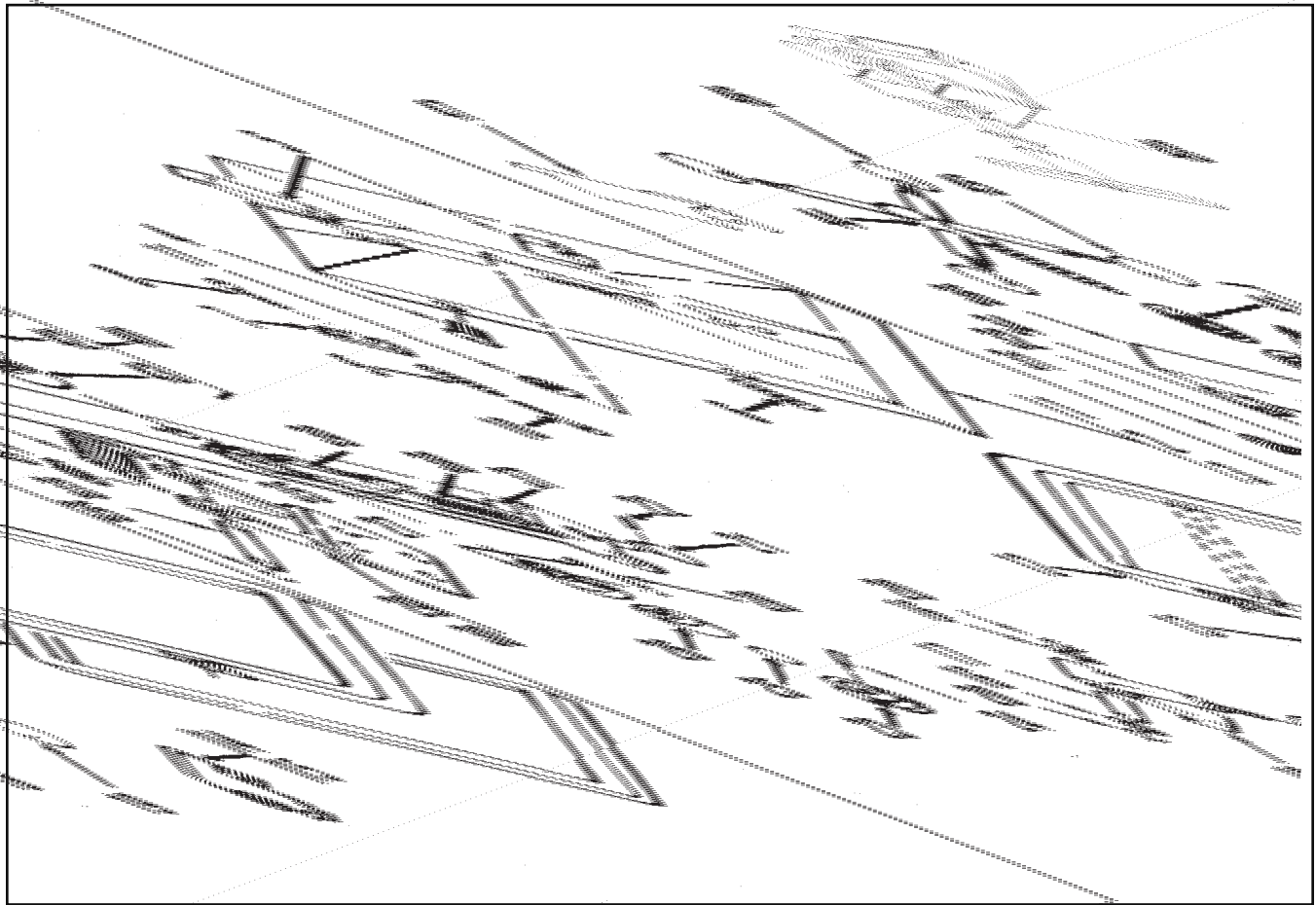


Figure 3-2. Lid Assembly

FIGURE & ITEM NO.	PART NUMBER	DESCRIPTION	UNITS PER ASSY
3-2		LID ASSEMBLY	
1	16170	LID ASSEMBLY	1
2	16169	COVER ASSEMBLY	1
3	16155	COVER, Lid	1
4	SC01-083	SCREW, Lid Cover	4
5	16133	HOOK, Cover Retaining	2
6	SC06-027	SCREW, Retaining Hook	4
7	16166	RETAINER	1
8	SC06-010	SCREW, Retaining Hook (Allen Head)	1
9	16165	SPRING, Return	1
10	16164	PIN, Locking	1
11	16163	BALL, Seat	1

FIGURE & ITEM NO.	PART NUMBER	DESCRIPTION	UNITS PER ASSY
3-2 Cont'd.			
12	16119	LINER, Inner Lid.....	1
√ 13	16120	GASKET, Reversible, Inner Lid Liner.....	1
√ 14	16199	KIT, Latch Spring.....	1
15	33480	SPRING.....	1
16	16198	SPACER.....	2
17	16197	PIN, Latch.....	1
√ 18	16116	LATCH, Lid.....	1
19	16102	KNOB, Latch.....	1
20	16121	RING, Tru-Arc Latch.....	2
21	16137	KNOB, Retaining Pin.....	1
22	16138	PIN, Knob Roll.....	1
23	16157	COLLAR, Locking.....	1
24	16158	PIN, Locking Collar.....	1
25	16159	BALL, Thrust.....	1
26	27326	NUT, Idle.....	1
27	27329	NUT, Acme.....	1
28	16162	PIN, Acme Nut.....	2
√ 29	16112	HINGE, Lid Assembly.....	1
30	40235	HINGE, Lid.....	1
31	SC01-081	SCREW, Lid Hinge.....	4
32	LW01-010	WASHER, Lock, Lid Hinge.....	4
33	16110	PIN, Lid Hinge.....	1
√ 34	16108	HINGE, Lid Spring.....	1
35	16111	RING, Retainer, Tru-Arc, Hinge.....	2
36	16154	BAR, Center Cross.....	1
37	36099	DECAL, DANGER.....	1
38	16136	SPRING, Retaining Pin.....	1
39	16135	COVER, Retaining Pin.....	1
40	16171	STOP, Limit Assembly.....	1
41	16153	STOP, Limit.....	1
42	16156	SCREW, Set, Limit Stop Collar.....	2
43	16152	COLLAR, Limit Stop.....	2
44	16168	SPINDLE ASSEMBLY.....	1
45	16102	KNOB, Spindle, Red.....	1
46	16101	KNOB, Spindle, Black.....	3
47	29587	COVER, Spring.....	1
√ 48	14960	KIT, Spring Loading Tool.....	1

√ Recommended Parts

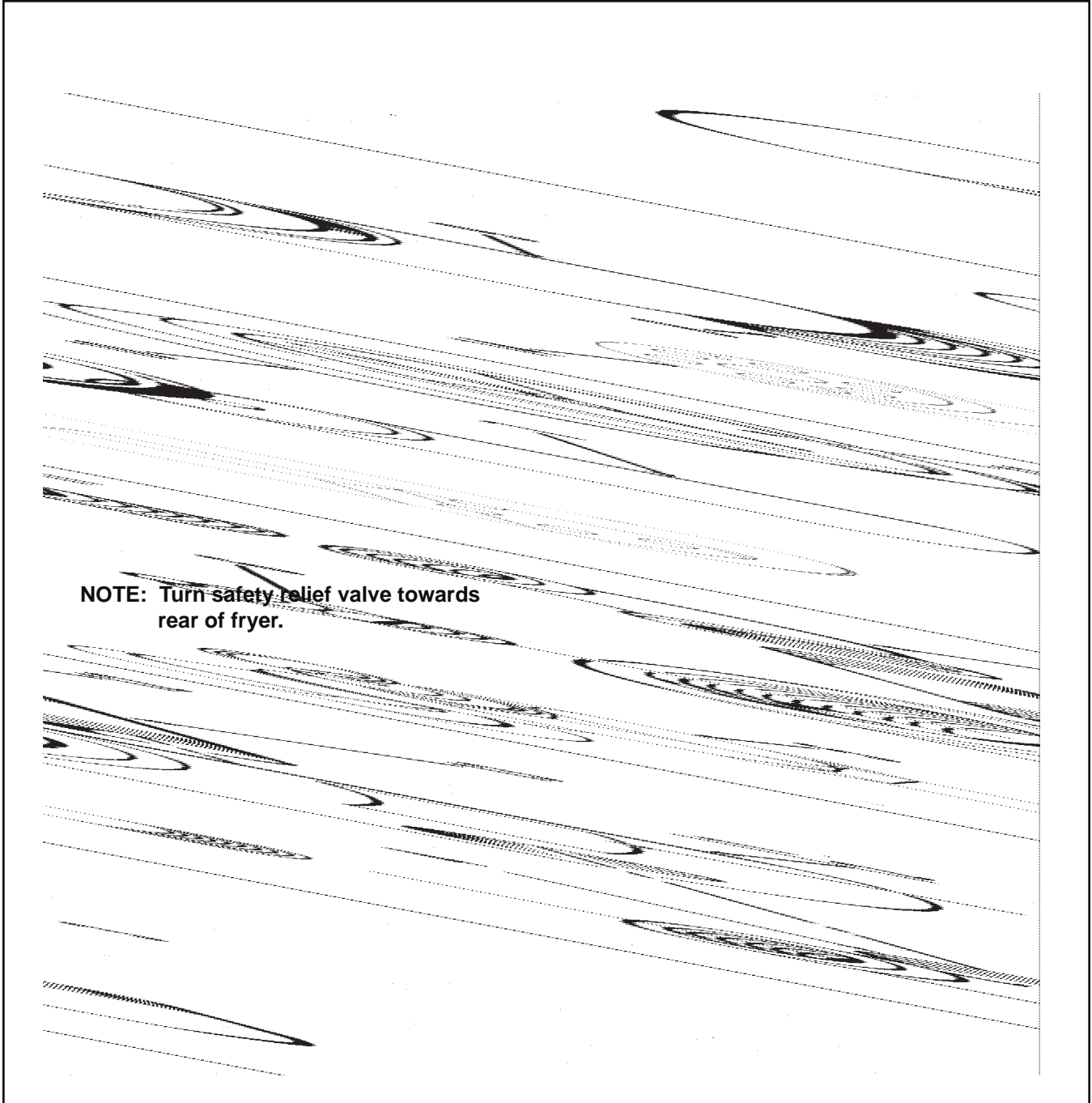


Figure 3-3. Deadweight Valve Assembly

FIGURE & ITEM NO.	PART NUMBER	DESCRIPTION	UNITS PER ASSY
3-3		DEADWEIGHT VALVE ASSEMBLY	
1	16924	VALVE ASSEMBLY, Deadweight	1
2	56305	BODY, Deadweight Valve.....	1
3	16912	DECAL, DEADWEIGHT VALVE	1
4	FP01-127	1/2 x 1/2 90 Degree Street L.....	1
√ 5	59742	VALVE ASSEMBLY, Relief	1
6	16918	DEADWEIGHT ORIFICE.....	1
7	16903	DEADWEIGHT	1
8	16902	RING, Cap.....	1
9	56307	CAP, Deadweight Valve	1
√ 10	16910	GAUGE, Pressure	1
11	16914	GLASS, Pressure Gauge.....	1
12	16909	ELBOW	1
13	56636	NIPPLE.....	1

√ Recommended Parts

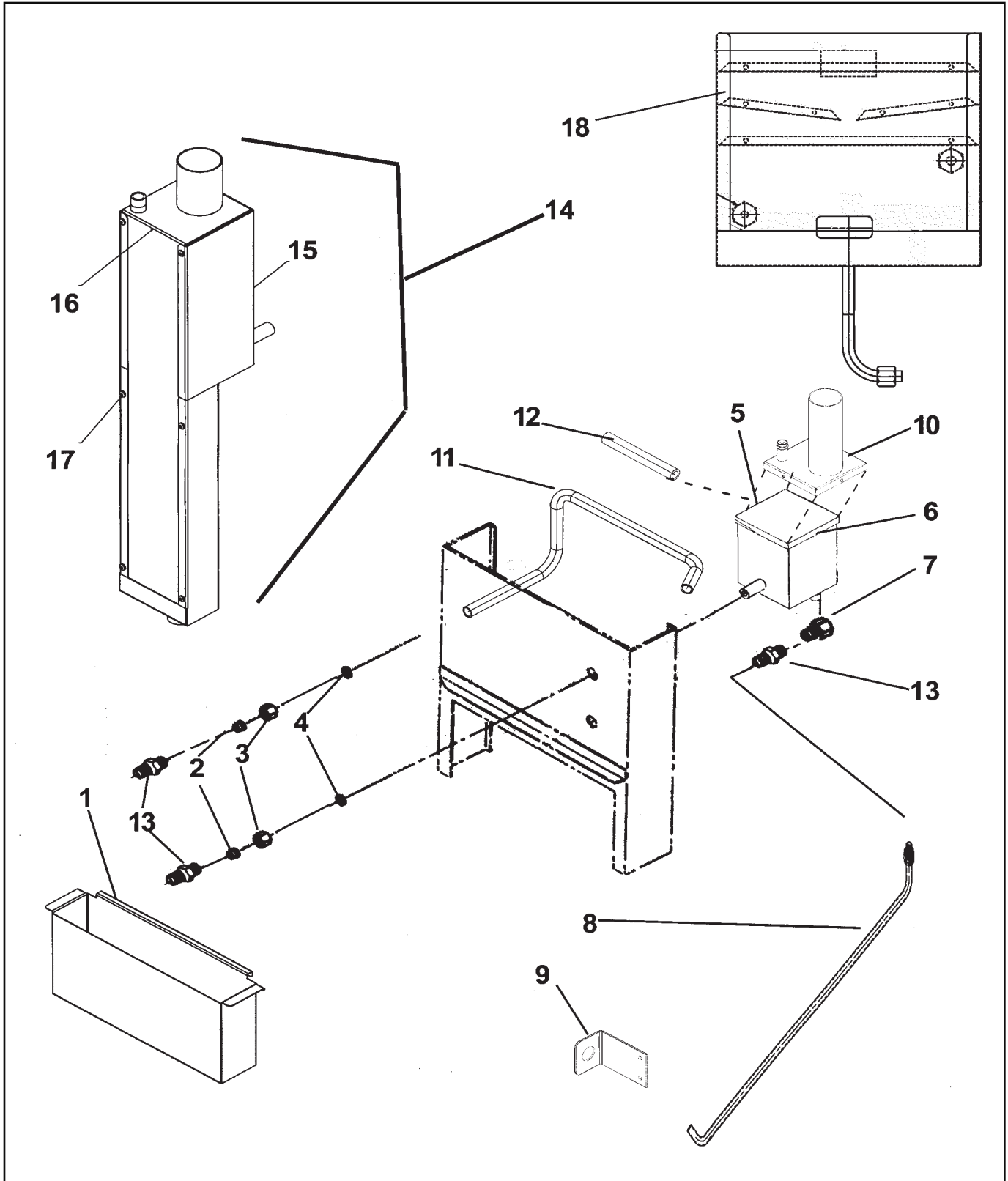


Figure 3-4. Exhaust Stack Assembly

FIGURE & ITEM NO.	PART NUMBER	DESCRIPTION	UNITS PER ASSY
3-4		EXHAUST STACK ASSEMBLY	
1	68086	PAN, Condensation Drain.....	1
1	64274	PAN, Condensation Drain - Short (CFA-SN: JB095JA to HB013JB)	1
2	16817	FITTING, Teflon Sleeve	2
3	16809	NUT, Fitting.....	2
4	16804	UMBRELLA GROMMET	2
5	58852	CONDENSATE BOX - Bottom- See chart on next page....	1
6	SC02-016	SCREW, #8-32-AB x 1/2 PH PHD S	4
7	FP01-122	REDUCER, 3/8 to 1/2 BI.....	1
8		TUBE, Condensation Assembly- See chart on next page....	1
9	63992	BRACKET, Condensation Hose.....	1
10	64013	CONDENSATE BOX - Top- See chart on next page.....	1
11		TUBE, Deadweight- See chart on next page	1
12		HOSE, Deadweight to Steam Box- See chart on next page	1
13	16807	CONNECTOR, Male.....	3
14	65724	ASSY, Condensate Box- See chart on next page.....	1
15	65725	WELD ASSY, Steam Box - Outer.....	1
16	65726	WELD ASSY, Steam Box - Inner	1
17	SC04-003	SCREW, #8-32 x 3/8 PH PHD S.....	6
18	21302	ASSY, Exhaust Stack - 500 - SN: KB020JJ & Below	1

Exhaust Stack Assembly

SN		500	600
KB020JJ & Below	Condensation Line Assy	18502	-
	KA020JJ & Below	Condensation Line Assy	-
	Dead Wt. Tube	-	16838
KB021JJ to BB016JA	Condensation Line Assy	-	16854
	Condensation Line Assy	14320	-
	Condensate Box Top	64013	-
	Dead Wt. Tube	59221	-
	DW To Steam Box Hose	63195	-
	Condensate Box	58852	-
KA021JJ to BA026JA	Condensation Line Assy	-	14320
	Condensate Box Top	-	64013
	Dead Wt. Tube	-	59221
	DW To Steam Box Hose	-	63195
	Condensate Box	-	58852
BB017JA to EB015JB	Condensation Line Assy	64016	-
	Condensate Box Top	64013	-
	Dead Wt. Tube	59221	-
	DW To Steam Box Hose	63195	-
	Condensate Box	58852	-
BA027JA to EA014JB	Condensation Line Assy	-	64016
	Condensate Box Top	-	64013
	Dead Wt. Tube	-	59221
	DW To Steam Box Hose	-	63195
	Condensate Box	-	58852
EB016JB to HB013JB (except EB018JB & EB019JB)	Condensation Line Assy	24998	-
	Condensate Box Top	use 65724	-
	Dead Wt. Tube	65621	-
	DW To Steam Box Hose	26866	-
	Condensate Box Bottom	use 65724	-
	Condensate Box	use 65724	-
EA015JB to GA085JB	Condensation Line Assy	-	24998
	Condensate Box Top	-	use 65724
	Dead Wt. Tube	-	65621
	DW To Steam Box Hose	-	26866
	Condensate Box Bottom	-	use 65724
	Condensate Box	-	use 65724
HB014JB & Above	Condensation Line Assy	69009	-
	Dead Wt. Tube	65621	-
	DW To Steam Box Hose	26866	-
	Condensate Box	65724	-
GA086JB & Above	Condensation Line Assy	-	69009
	Dead Wt. Tube	-	65621
	DW To Steam Box Hose	-	26866
	Condensate Box	-	65724

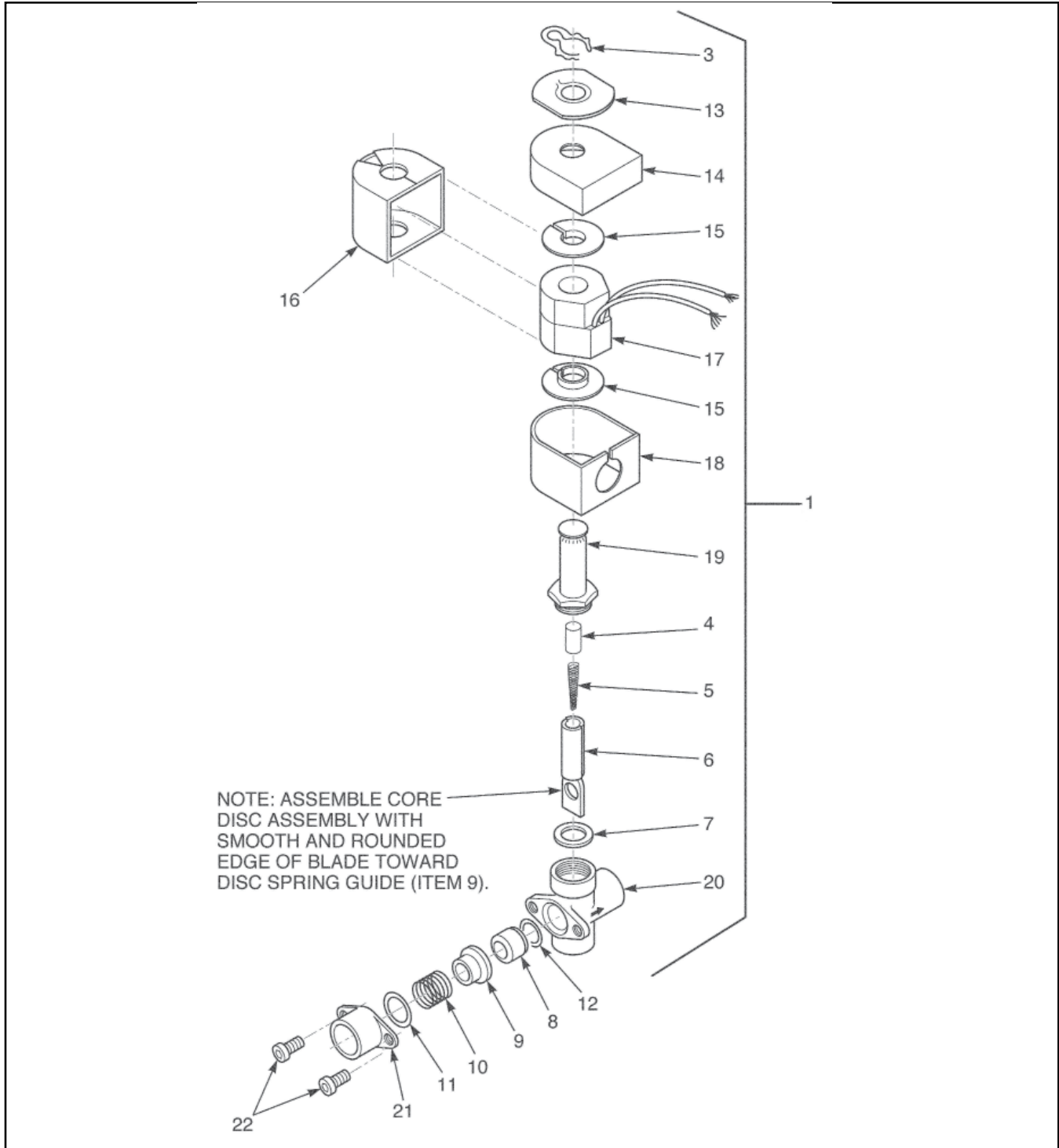


Figure 3-5. Solenoid Valve Assembly

FIGURE & ITEM NO.	PART NUMBER	DESCRIPTION	UNITS PER ASSY
3-5		SOLENOID VALVE ASSEMBLY (Gas and Electric Models)	
1	17121	VALVE, Solenoid, 120 Volt, 60 Hz	1
1	18724	VALVE, Solenoid, 208-240 Volt, 50 Hz	1
1	18721	VALVE, Solenoid, 208/240 Volt, 60 Hz	1
1	29515	VALVE, Solenoid, 24 Volt, 60 Hz	1
1	29698	VALVE, Solenoid, 24 Volt, 50 Hz	1
√ 2*	17120	KIT, Solenoid Valve Repair	1
3	17101	CLIP, Retaining	1
4	17109	RETAINER, Spring	1
5	17110	SPRING, Core	1
6	17111	CORE, Disc Assembly	1
7	17112	GASKET, Bonnet	1
8	17114	SEAT, Teflon	1
9	17115	GUIDE, Disc Spring	1
10	17116	SPRING, Disc	1
11	17117	RING, Spring Retainer.....	1
12	17122	SEAT, O-Ring Seal	1
√ 13	17102	PLATE, Solenoid Name	1
√ 14	17103	COVER, Coil Housing.....	1
√ 15	17104	WASHER, Coil	2
√ 16	17105	YOKE, Coil.....	1
√ 17	17106	COIL, 120 Volt, 60 Hz	1
√ 17	18706	COIL, 208/240 Volt, 60 Hz	1
√ 17	18726	COIL, 208-240 Volt, 50 Hz	1
√ 17	29547	COIL, 24 Volt, 60 Hz	1
√ 17	29575	COIL, 24 Volt, 50 Hz	1
√ 18	17123	HOUSING, Coil	1
√ 19	17108	BONNET, Solenoid.....	1
√ 20	17113	BODY, Solenoid Valve.....	1
√ 21	17118	ADAPTER, Pipe	1
√ 22	SC01-132	SCREW, Adapter.....	2

√ Recommended Parts
*not shown

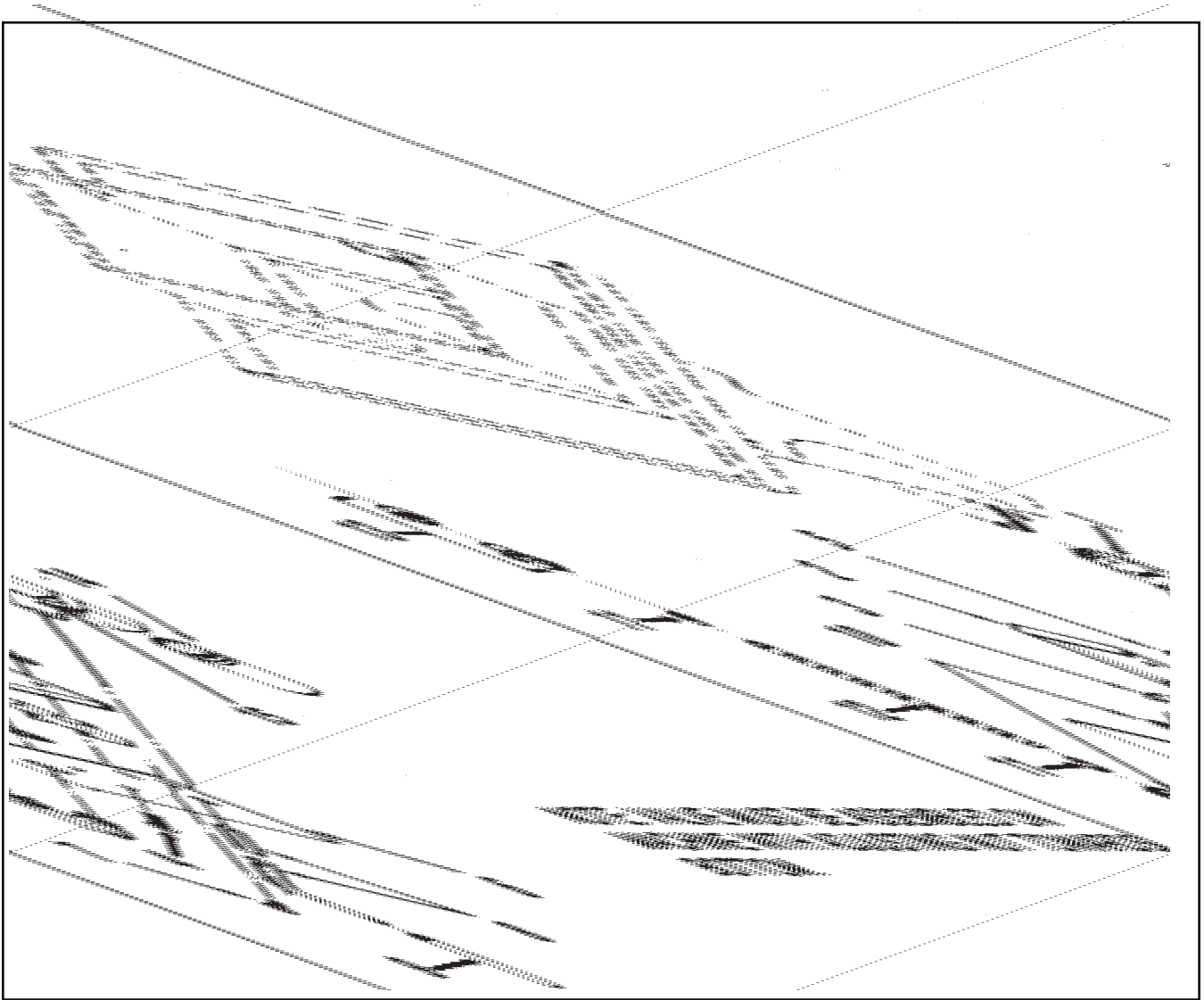


Figure 3-6. Drain Valve Assembly (Gas Model)

FIGURE & ITEM NO.	PART NUMBER	DESCRIPTION	UNITS PER ASSY
3-6		DRAIN VALVE ASSEMBLY (Gas Model)	
1	17261	BODY, Drain Valve (June 1998 and above)	1
2	17210	COVER, Microswitch	1
1	55152	ASSY, Drain Valve and Coupling (May 1998 and below)	1
√ 3	18227	MICROSWITCH	1
4	SC01-058	SCREW, Microswitch	2
5	NS02-005	NUT, Microswitch	2
6	17211	BRACKET, Drain, Valve Rod	1
7	SC03-005	SCREW, Drain Bracket	2
8	17254	ROD, Drain Valve - Normally Closed	1
8	67661	ROD, Drain Valve - Normally Open.....	1
9	16293	COVER, Valve Handle	1
10	18644	CONNECTOR, 90° Flexible Conduit	1
		(Includes Nut)	
11	18105	INSULATOR	2
12	17214	CONDUIT, Flexible	1
13	18111	CONNECTOR, Flexible Conduit (Includes Nut).....	1
14	18819	EXTENSION NIPPLE (SN: KA020JJ and below) ...	1
14	18817	EXTENSION NIPPLE (SN: KA021JJ to GA085JB)	1
14	24647	EXTENSION & DEFLECTOR.....	1
		(SN: GA086JB and above)	
15	17255	PIN, Cotter	2
√ 16*	14652	KIT, PFG600 Norm Open Drain Switch.....	1

√ Recommended Parts

*not shown

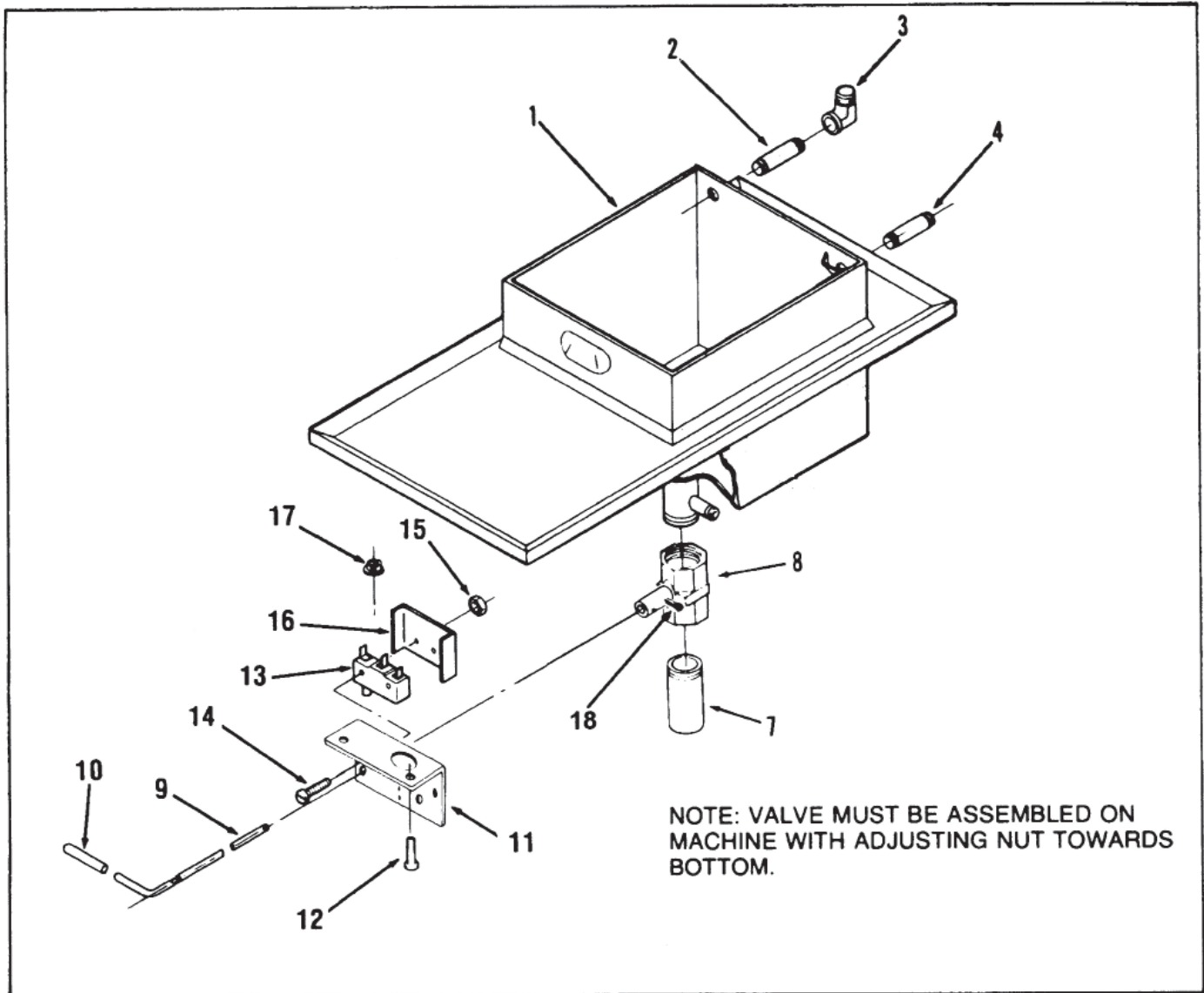


Figure 3-7. Drain Valve Assembly (Electric Model)

FIGURE & ITEM NO.	PART NUMBER	DESCRIPTION	UNITS PER ASSY
3-7		DRAIN VALVE ASSEMBLY (Electric Model)	
1	18921	TOP ASSEMBLY, Pot and Counter-SN: KB020JJ & Below	1
1	65025	TOP ASSEMBLY, Pot and Counter-KB021JJ & Above	1
2	18816	NIPPLE, Pipe	1
3	16239	ELBOW	1
4	18816	NIPPLE, Pipe	1
7	18817	NIPPLE, Drain Extension-SN: KB020JJ & Below.....	1
7	58851	NIPPLE, Drain Extension-SN: KB021JJ to HB013JB	1
7	24633	NIPPLE, Drain Extension & Deflector-SN: HB014JB & Above	1
8	17261	BODY, Drain Valve (SN: FB099IH and above).....	1
8	55152	ASSY, Drain Valve and Coupling (SN: FB098IH and below)	1
9	18818	ROD, Drain Valve Extension - Normally Closed.....	1
9	66123	ROD, Drain Valve Extension - Normally Open	1
10	16293	COVER, Valve Handle	1
11	18419	BRACKET, Filter & Drain Rod-SN: KB020JJ & Below ...	1
11	59219	BRACKET, Filter & Drain Rod-SN: KB021JJ to HB013JB	1
11	27412	BRACKET, Filter & Drain Rod-SN: HB014JB & Above ..	1
12	SC03-005	SCREW, Drain Valve Bracket	2
√ 13	18227	MICROSWITCH	1
14	SC01-058	SCREW, Microswitch	2
15	NS02-005	NUT, Microswitch	2
16	18528	COVER, Microswitch	1
17	EF02-004	BUSHING, Snap	1
18	17255	PIN, Cotter.....	2
√ 19*	14653	KIT, PFE500 Norm Open Drain Switch.....	1

√ Recommended Parts
*not shown

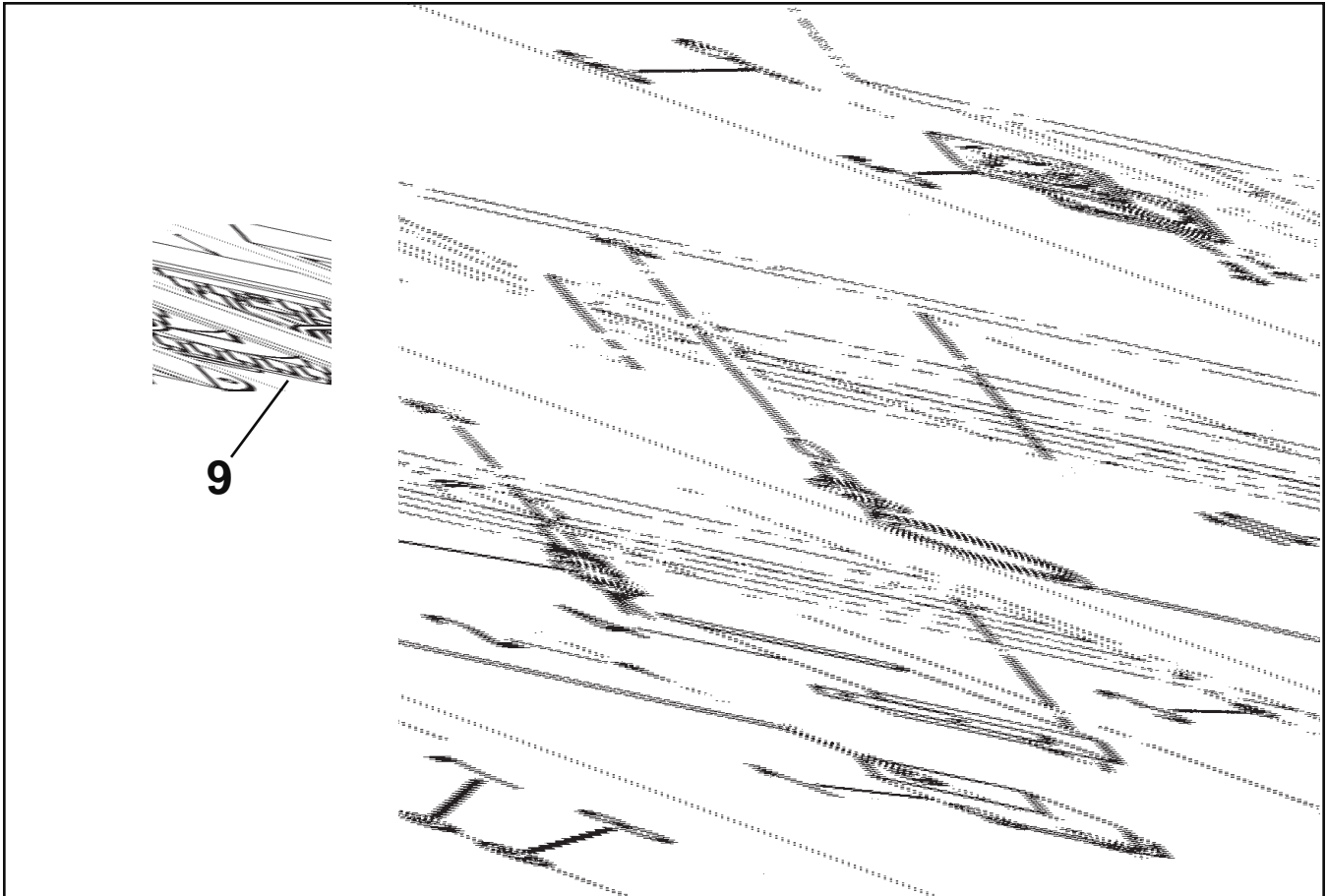


Figure 3-8. Fan and High Temperature Limit Control (Gas Model)

FIGURE & ITEM NO.	PART NUMBER	DESCRIPTION	UNITS PER ASSY
3-8		FAN AND HIGH TEMPERATURE LIMIT CONTROL (Gas Model)	
√ 1	16738	CONTROL, High Temperature Limit.....	1
2	SC02-018	SCREW, Thread Forming #8	2
3	NS02-001	NUT, #10-32 Hex Keps	2
4	17216	BRACKET ASSY, High Limit Thermostat	1
√ 5	81208	FAN, 120 Volt	1
6	SC01-266	SCREW, Fan	4
7	WA01-006	WASHER, Fan	4
8	NS02-005	NUT, Fan.....	4
√ 9	72854	ASSY, TRANSFORMER - 24 VAC	1
√ 10	14331	KIT, Temperature Probe.....	1
11*	36097	PROBE GUARD	1

√ Recommended Parts

*not shown

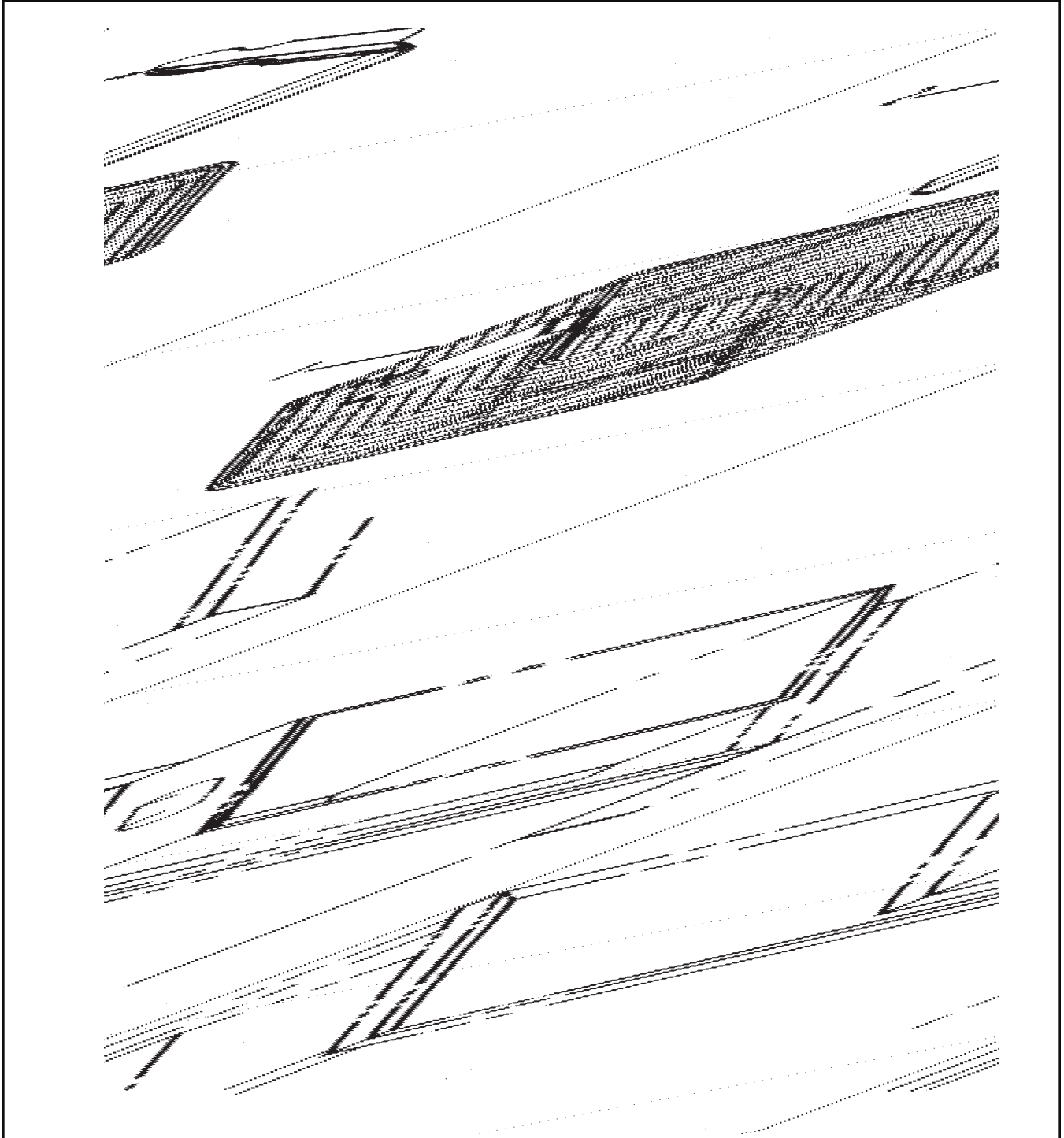


Figure 3-9. Fry Basket

FIGURE & ITEM NO.	PART NUMBER	DESCRIPTION	UNITS PER ASSY
3-9		FRY BASKET (Gas and Electric Models)	
1	17801	BASKET, Without Legs, Gas Model Only	1
1	64058	BASKET, 3 Layer - Gas Model Only	1
1	19507	BASKET, Expanded Metal - Electric Model Only.....	1
2	19502	HANDLE	1
3*	29769	GRIP, Fryer Handle.....	1
*not shown			

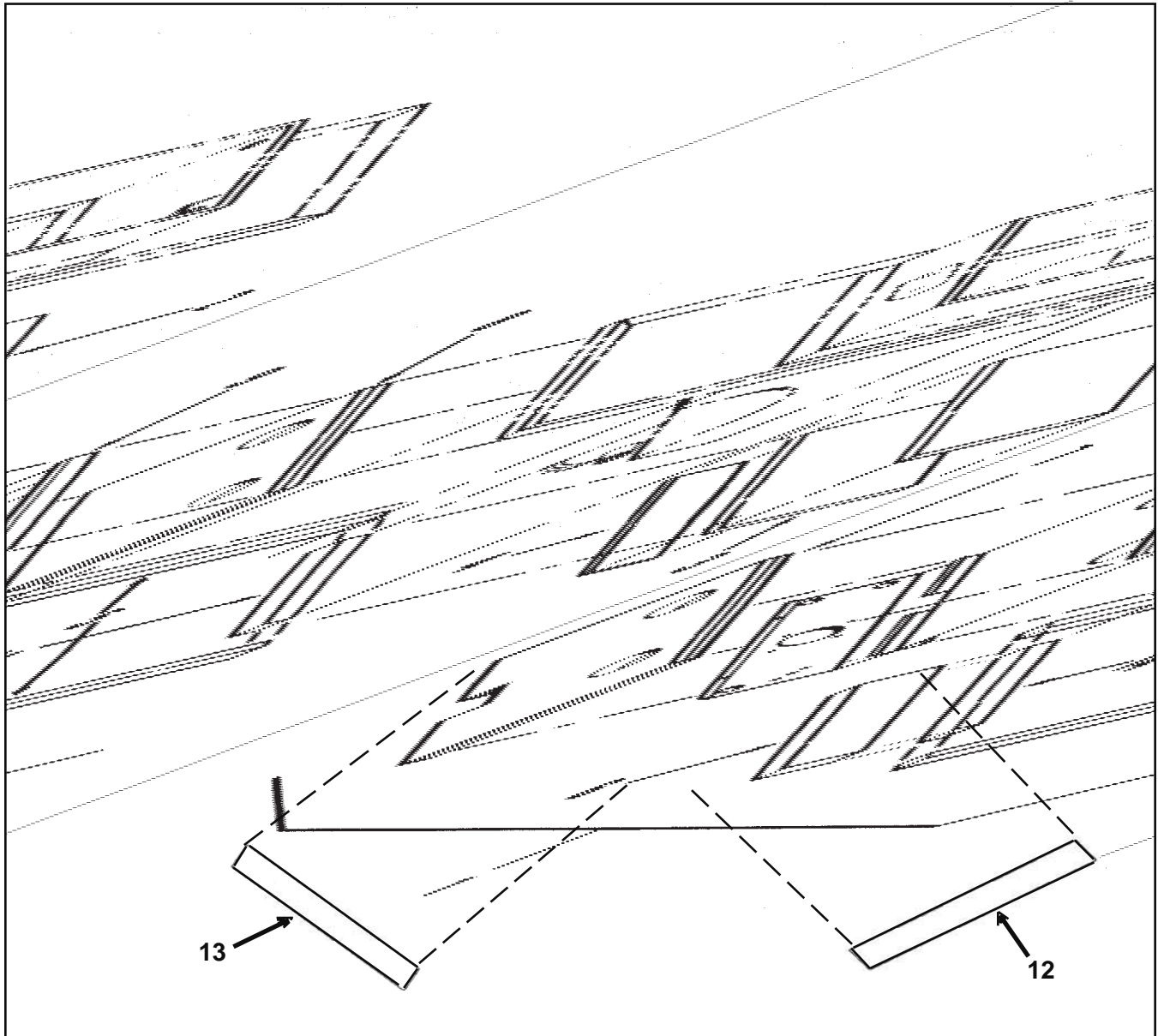


Figure 3-10. Countertop Insulation Assembly (Gas Model)

FIGURE & ITEM NO.	PART NUMBER	DESCRIPTION	UNITS PER ASSY
3-10		COUNTERTOP INSULATION ASSEMBLY (Gas Model)	
1	14698	KIT, Complete Set - SN: KA020JJ & Above.....	1
1	16518	INSULATION, Complete Set-SN: 36886 to KA020JJ..... (Includes Part Nos. 16505,17605,16872, MS01-180, Bulk Cerefelt Insulation For Around Thermocouple, Pot Fittings, and Glue.)	1
2	63301	INSULATION, Fiberglass	1
3	63302	INSULATION, Cerefelt - Flue Top	1
4	16308	BOARD, Aircell	1
5	53807	INSULATION, Countertop-sides	2
6	16303	INSULATION, Fiberglass	1
7	63699	INSULATION, Fiberglass Notched	2
8	63623	INSULATION, Heat Shield, Inner.....	1
9	59232	HEAT SHIELD	1
12	59965	INSULATION, Countertop Side.....	2
13	59966	INSULATION, Countertop Front.....	1
14	53808	INSULATION, Countertop-Front/Rear	2

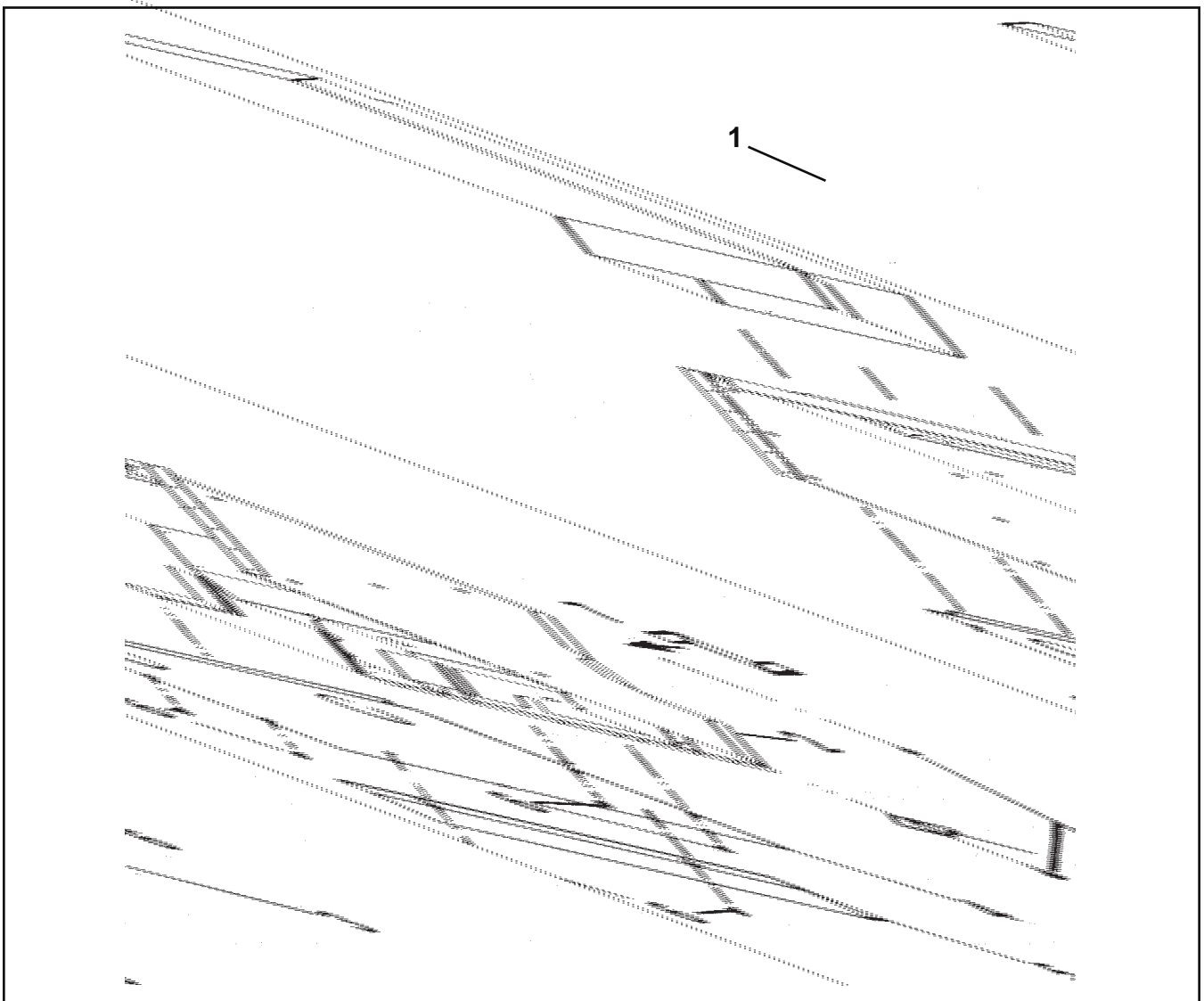


Figure 3-11. Firebox and Flue Assembly (Gas Model)

FIGURE & ITEM NO.	PART NUMBER	DESCRIPTION	UNITS PER ASSY
3-11		FIREBOX AND FLUE ASSEMBLY (Gas Model)	
1	59728	STACK, Flue Exhaust - SN: KA021JJ & Above.....	1
1	54865	STACK, Flue Exhaust - SN: KA020JJ & Below.....	1
2	59223	CABINET ASSEMBLY, Firebox - SN: KA021JJ & Above	1
2	29679	CABINET ASSEMBLY, Firebox - SN: KA020JJ & Below	1
3	18625	BRACKET, Side Panel Insulation	2
4	87448	PANEL, Firebox Front	1
5	16406	DEFLECTOR, Heat Shield	1
6	SC03-005	SCREW, Sheet Metal	20
7	18626	BRACKET, Side Panel Insulation, Rear	2

* not shown

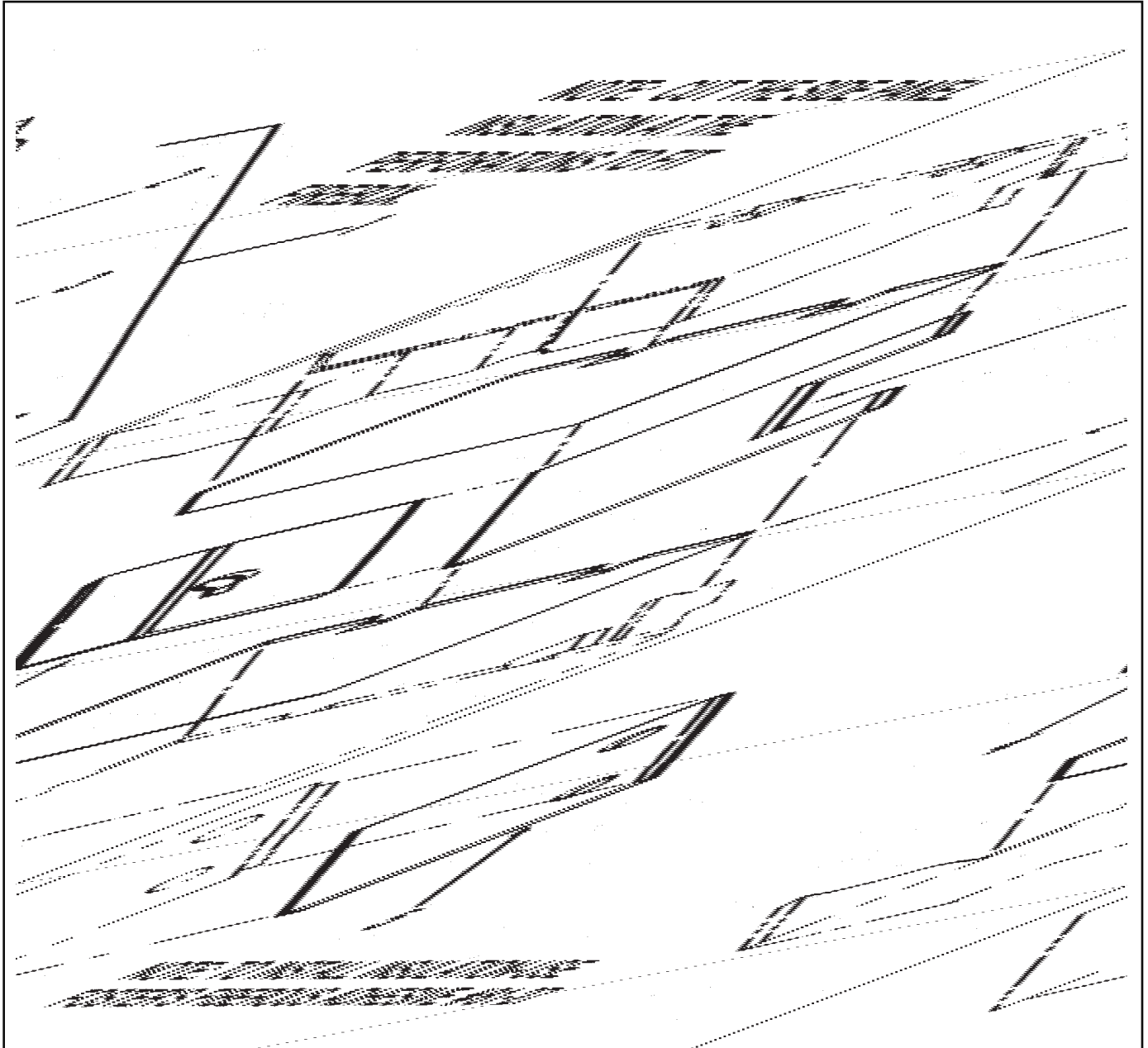
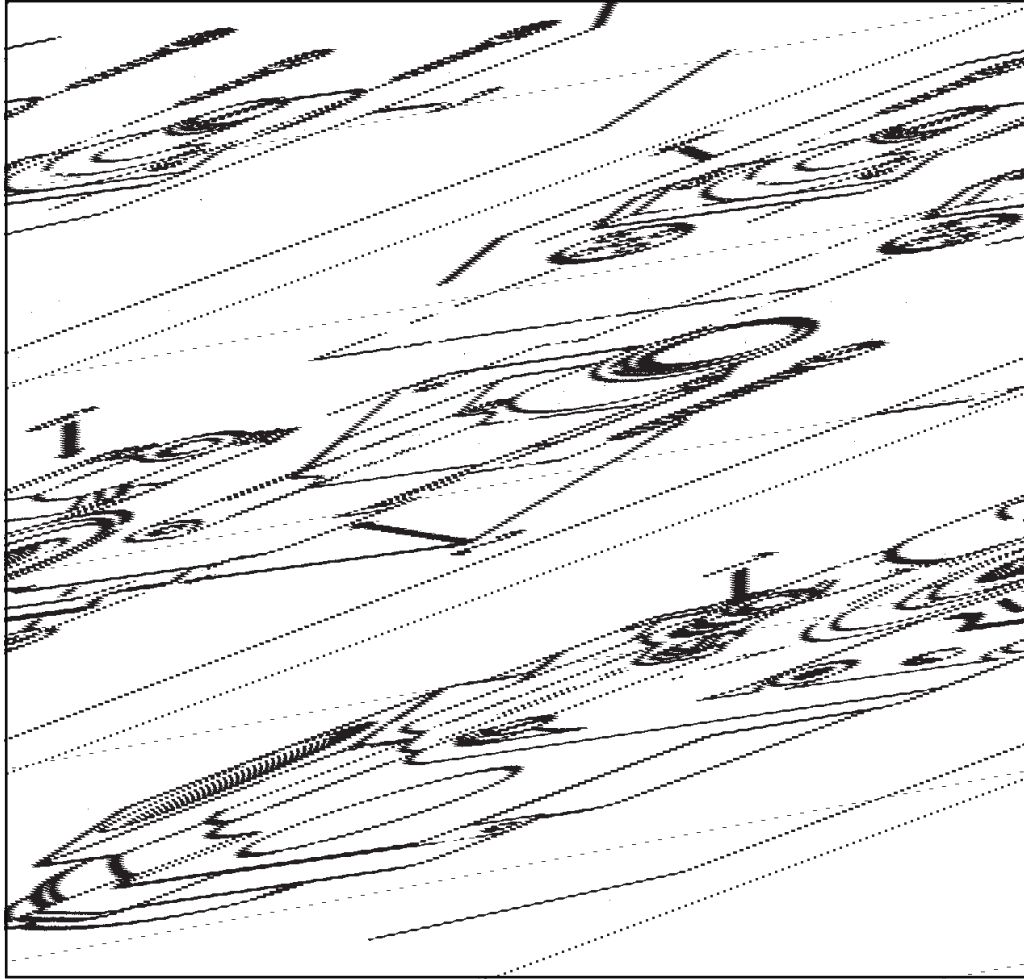
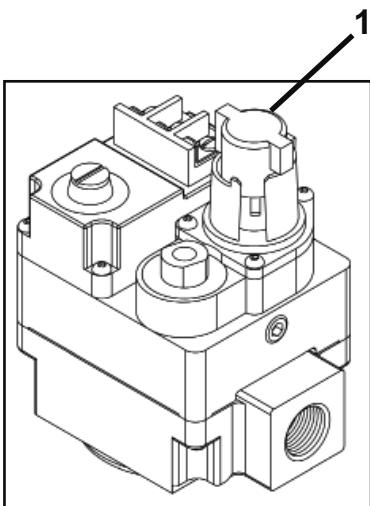


Figure 3-12. Firebox Insulation Assembly (Gas Model)

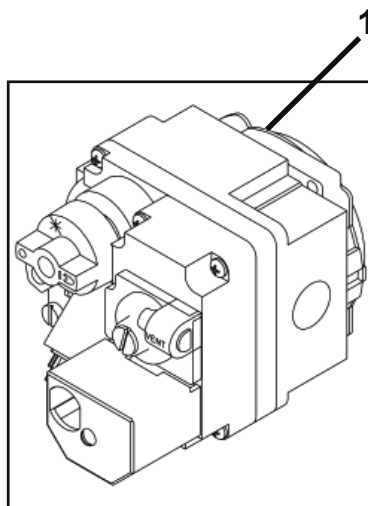
FIGURE & ITEM NO.	PART NUMBER	DESCRIPTION	UNITS PER ASSY
3-12		FIREBOX INSULATION ASSEMBLY (Gas Model)	
1	16505	INSULATION, Firebox - Complete Set Cerefelt, Inside Firebox	1
2	63111	INSULATION, Side Panel , Cerefelt	2
3	16502	INSULATION, Back Panel, Cerefelt	1
4	16503	INSULATION, Bottom Panel, Cerefelt	1
5	29690	INSULATION, Front Panel, Cerefelt	1



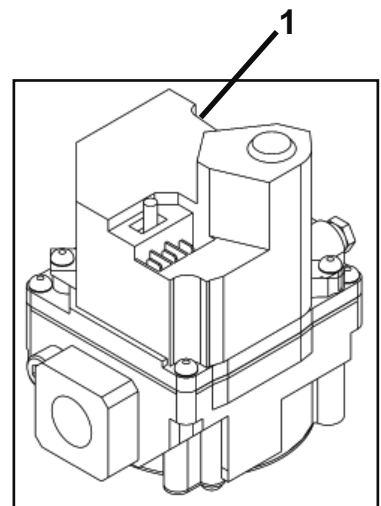
Style 1



Style 2



Style 3



Style 4

Figure 3-13. Gas Control Valve

FIGURE & ITEM NO.	PART NO.	DESCRIPTION	UNITS PER ASSY
3-13		GAS CONTROL VALVE	
√ 1	-----	VALVE, Gas Control -- See Table 1 Below	1
√ 2	16254	OPERATOR, Gas Control Valve, 120 Volt, Natural	1
√ 2	16386	OPERATOR, Gas Control Valve, 120 Volt, Propane	1
√ 3	16253	REGULATOR, Gas Control Valve, Natural Gas	1
√ 4	16352	REGULATOR, Gas Control Valve, Propane Gas	1
√ 6	16267	KNOB, Gas Control Valve	1
√ 7	16373	FITTING, Compression - Pilot Tube	2
8*	16247	KIT, Nat. to LP Conversion - KA020JJ & Below	1
8*	16248	KIT, LP to Nat. Conversion - KA020JJ & Below	1
8*	14324	KIT, Nat. to LP Conversion - KA021JJ to July 10, 2006	1
8*	14325	KIT, LP to Nat. Conversion - KA021JJ to July 10, 2006	1
8*	14723	KIT, Solid State Ign.-Nat. to LP Conversion -July 10, 2006 & after	1
8*	14724	KIT, Solid State Ign.-LP to Nat. Conversion -July 10, 2006 & after	1

√ Recommended Parts
* not shown

TABLE 1

Voltage	Nat. Electronic Ign.	LP Electronic Ign.	Nat. Std. Ign.	LP Std. Ign.	Town Gas
120V	†34439 (SN: KA020JJ and Below)	-----	†16216	†16217	Use †16262 and 16254
240V	-----	†21316	†16380	†16381	†16262
24V	◇140043 (SN: KA021JJ to AN0901028)	◇21332 (SN: KA021JJ to AN0901028)	#29614 (SN: KA020JJ and Below)	#29728 (SN: KA020JJ and Below)	-----
24V	◇80761 (SN: AN0901029 and Above)	◇80858 (SN: AN0901029 And Above)	‡58863 (SN: KA021JJ and Above)	‡64036 (SN: KA021JJ and Above)	-----
24V/50Hz	-----	-----	#34806	#34805	-----
240V/50Hz	-----	-----	#34804	#34803	-----

† - Style 1, Integral lead wires ‡ - Style 2, 3 screw terminals
- Style 3, 2 screw terminals and/or cover ◇ - Style 4, 3 spade terminals and ON/OFF switch

NOTE: Part # 16216 and 16380 consist of items 2 and 3 and part # 16217 and 16381 consist of items 2 and 4.

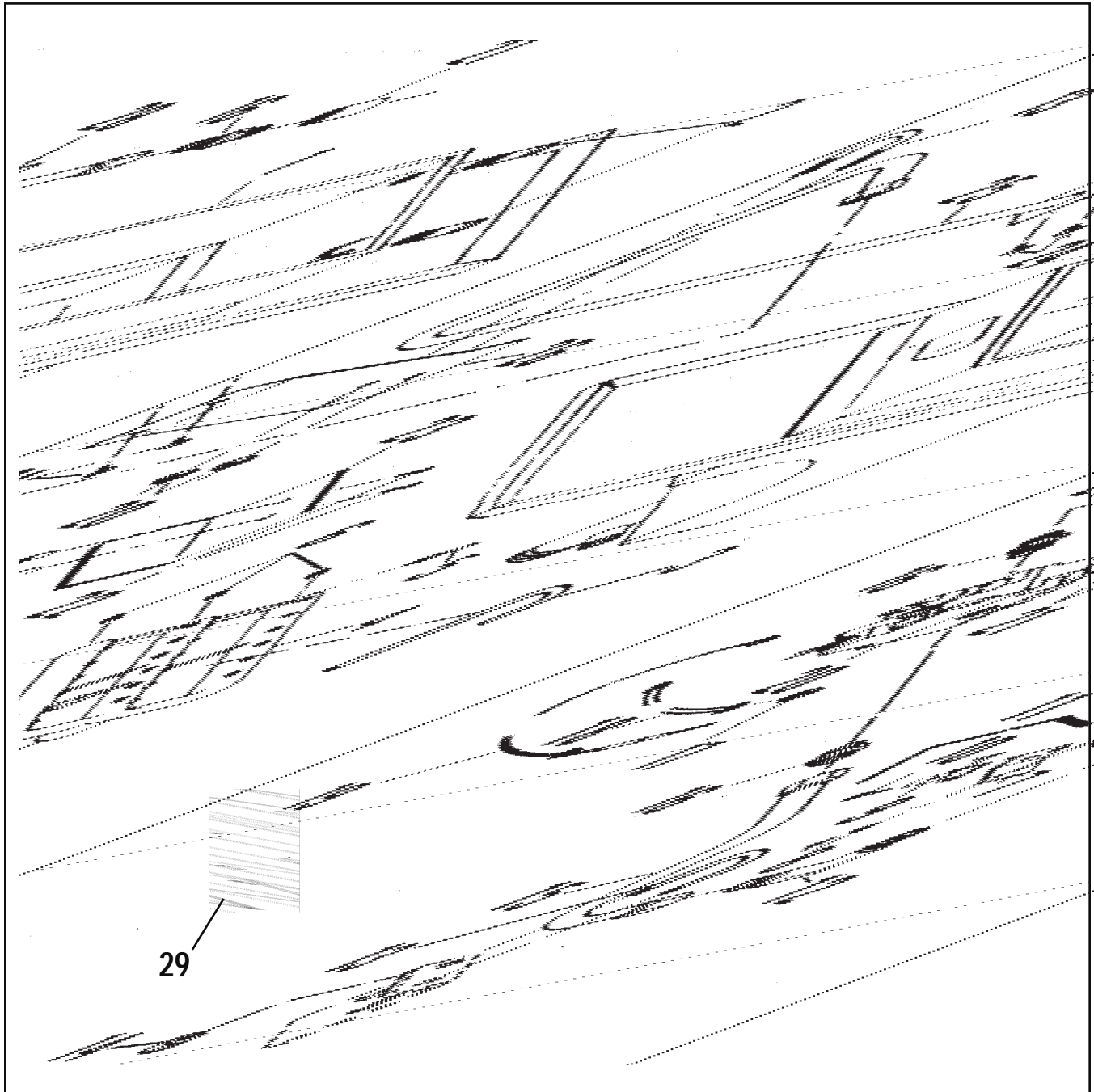


Figure 3-14. Frypot and Gas Burner Assembly

FIGURE & ITEM NO.	PART NUMBER	DESCRIPTION	UNITS PER ASSY
3-14		FRYPOT AND GAS BURNER ASSEMBLY	
1	16889	TOP ASSEMBLY, Pot and Counter (SN: KA020JJ & below) ...	1
1	65007	TOP ASSEMBLY, Pot and Counter (SN: KA021JJ & above) ...	1
2	18816	NIPPLE, Pipe S.S	2
3	53834	J-BOLT, Burner Hold Down.....	1
4	16205	CASTING Burner.....	1
5	17013-1	SET, Orifice, Natural Gas	1
5	16561-1	ORIFICE, Natural Gas, S.S.....	1
5	16562-1	ORIFICE, Natural Gas, Brass	23
5	17013-3	SET, Orifice, Propane Gas	1
5	16561-3	ORIFICE, Propane Gas, S.S.....	1
5	16562-3	ORIFICE, Propane Gas, Brass	23
6	FP01-020	PLUG, Burner Casting.....	3
7	29969	BRACKET, Pilot Holder	1
8	SC01-184	SCREW, Pilot Holder Bracket.....	2
9	Use #11	PILOT & ORIFICE ASSEMBLY	1
10	SC01-047	SCREW, Pilot Holder	1
11	30904	PILOT & BRACKET ASSEMBLY, LP.....	1
11	30913	PILOT & BRACKET ASSEMBLY, Nat	1
12	16336	ELBOW, Male	1
13	SC06-013	BOLT, U, Gas Line	2
14	NS02-002	NUT, Gas Supply Line Bolt.....	4
15	16333	LINE, Gas Burner to Control.....	1
16	16335	NIPPLE, Close.....	3
17	29820	ORIFICE, Pilot, Natural Gas	1
17	32407	ORIFICE, Pilot, Propane Gas.....	1
18	63198	PILOT ASSEMBLY, Gas Tube.....	1
√ 19	16219	THERMOCOUPLE.....	1
√ 20	-----	VALVE, Gas Control - 24V -- See Figure 3-13	1
21	16221	SPACER, Heat Shield.....	2
22	SC01-054	SCREW, Heat Shield	2
23	58866	SHIELD, Heat, Aluminum	1
24	SC02-006	SCREW, Bracket	4
25	40304	LINE, Gas Supply (SN: KA020JJ & below).....	1
25	16326	LINE, Gas Supply.....	1
26	16331	GAS LINE BRACKET.....	1
27	FP01-007	COUPLING, Pipe	1
28	16328	BRACKET, Gas Line	1
-	16329	Nut 37 Flare for 5/8 OD.....	2
-	16330	Sleeve 37 Flare for 5/8.....	2
29	24687	GUARD, Gas Valve Adjustment Screw	1
30*	14484	KIT, 3/4 in. x 5 ft. Gas Line w/quick-disconnect	1

√ Recommended Parts

* not shown

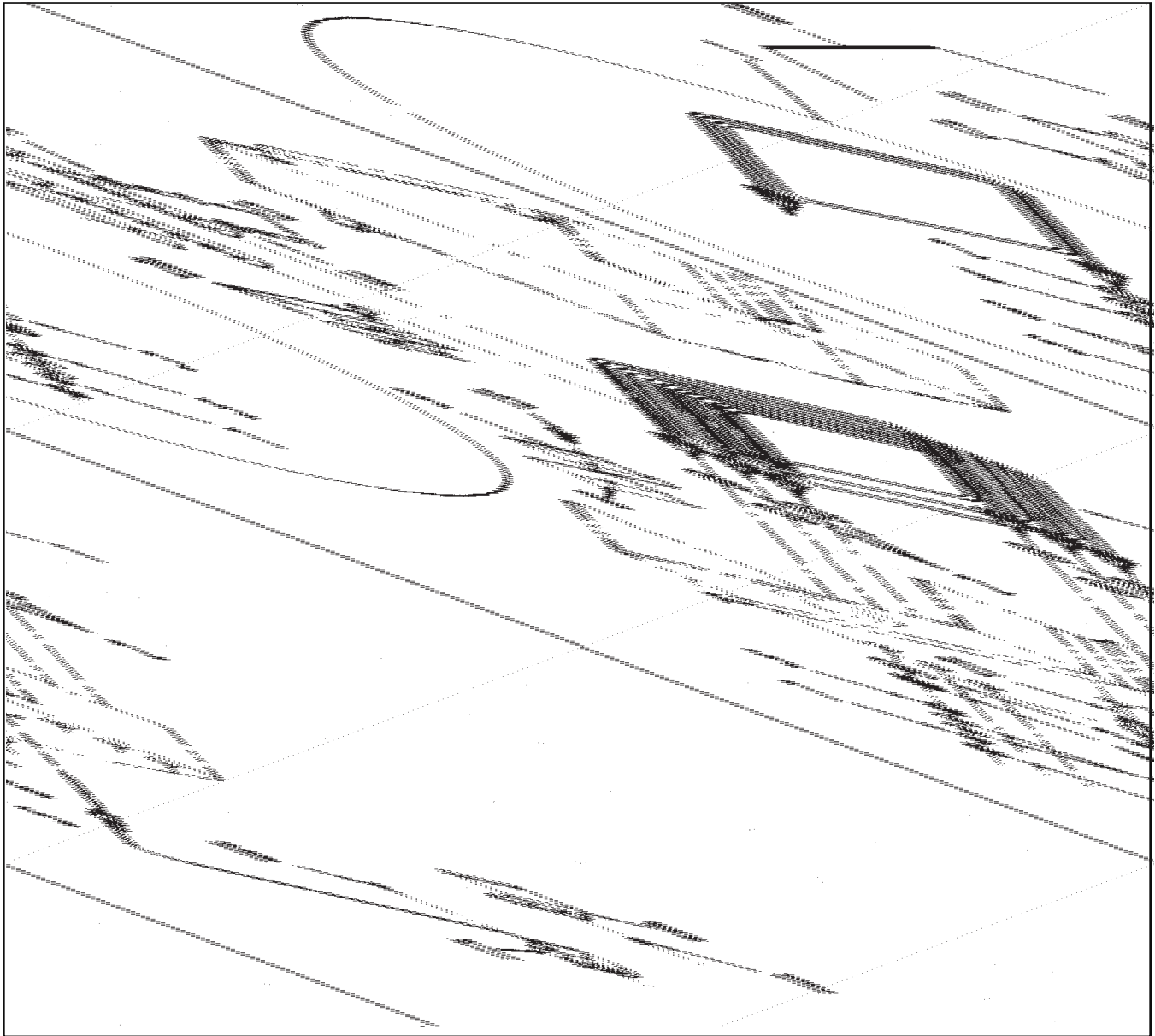


Figure 3-15. Heating Element and High Limit Assembly (Electric Model)

FIGURE & ITEM NO.	PART NUMBER	DESCRIPTION	UNITS PER ASSY
3-15		HEATING ELEMENT AND HIGH LIMIT ASSEMBLY, (Electric Models)	
√ 1	18233-1	ELEMENT COMPLETE, Heating 208 Volts, 4500 Watts	3
√ 1	18233-2	ELEMENT COMPLETE, Heating 230 Volts, 4500 Watts	3
√ 1	18233-5	ELEMENT COMPLETE, Heating 230 Volts, 3750 Watts	3
√ 1	18233-4	ELEMENT COMPLETE, Heating 208 Volts, 3750 Watts	3
√ 1	18233-6	ELEMENT COMPLETE, Heating 480 Volts, 3750 Watts	3
√ 1	18233-7	ELEMENT COMPLETE, Heating 480 Volts, 4500 Watts	3
2	16855	SEAL O-RING.....	6
3	WA01-005	WASHER, Heating Element, Metal.....	6
4	NS01-017	NUT, Heating Element, Brass.....	6
5	NS01-014	NUT, Heating Element.....	12
6	WA01-007	WASHER, Heating Element.....	12
7	LW01-008	WASHER, Lock, Heating Element.....	6
8	18720	CLAMP, Rear-Hi Limit.....	2
9	18248	CLAMP, Front-Hi Limit.....	2
√ 10	14685	KIT, Spreader Module.....	5
11	18225	SPREADER, Element.....	5
12	18226	BAR, Spreader Lock.....	5
13	SC01-055	SCREW, Element Spreader (including Firebars).....	10
14	LW02-005	WASHER, Lock, Element Spreader.....	10
15	SC01-053	SCREW, 8-32 x 1/2 PH RD SS.....	2
16	SC02-018	SCREW, Thread Forming #8.....	2
√ 17	16738	CONTROL, Hi Limit Temperature.....	1
18	NS02-001	NUT, #10-32 Hex Keps.....	2
19	17216	BRACKET ASS'Y, Hi Limit Thermostat.....	1
20	18211	HOLDER, Thermostat Bulb.....	1
√ 21	14785	ASSEMBLY, Probe/Compression Fitting.....	1

√ Recommended Parts

FIGURE & ITEM NO.	PART NUMBER	DESCRIPTION	UNITS PER ASSY
3-16		CONTROL SHROUD AND COMPONENTS (Three Phase Electric Model)	
1	18514	SHROUD, Three Phase (KB020JJ & below)	1
1	59233	SHROUD, Three Phase (KB021JJ to HB013JB)	1
1	65864	SHROUD, Three Phase (HB014JB & above).....	1
√ 2	29509	CONTACTOR - 24 Volt.....	1
√ 3	29510	CONTACTOR, Mercury - 24 VAC (Before SN: AA0909048)	1
√ 3	65073	CONTACTOR, EM - 24VAC (SN: AA0909048 & Above)	1
4	66717	STUD ASSY, Contactor Bracket.....	1
5	FP01-024	BUSHING, Pipe - 1/8-3/8.....	1
√ 6	14785	ASSY, Probe/Compression Fitting.....	1
√ 7	16738	CONTROL, High Limit Temperature.....	1
√ 8	72854	ASSY, Transformer - 24 VAC.....	1
9	17216	ASSY, Bracket - High Limit	1
√ 10	24347	ASSY, Current Sense Xformers	1
√ 11	18364	ASSY, Fuse Holder - 15 amp	2
√ 11	EF02-007	FUSE, 15 amp	2
√ 11	EF02-006	HOLDER, Fuse	2
12	58850	BRACKET, Double Contactor.....	1
13*	14034	KIT - 1 Phase to 3 Phase Conversion (KB020JJ & below)	1
13*	14679	KIT - 1 Phase to 3 Phase Conversion (KB021JJ to HB013JB)	1
13*	14680	KIT - 1 Phase to 3 Phase Conversion (HB014JB & above)	1

√ Recommended Parts
*not shown

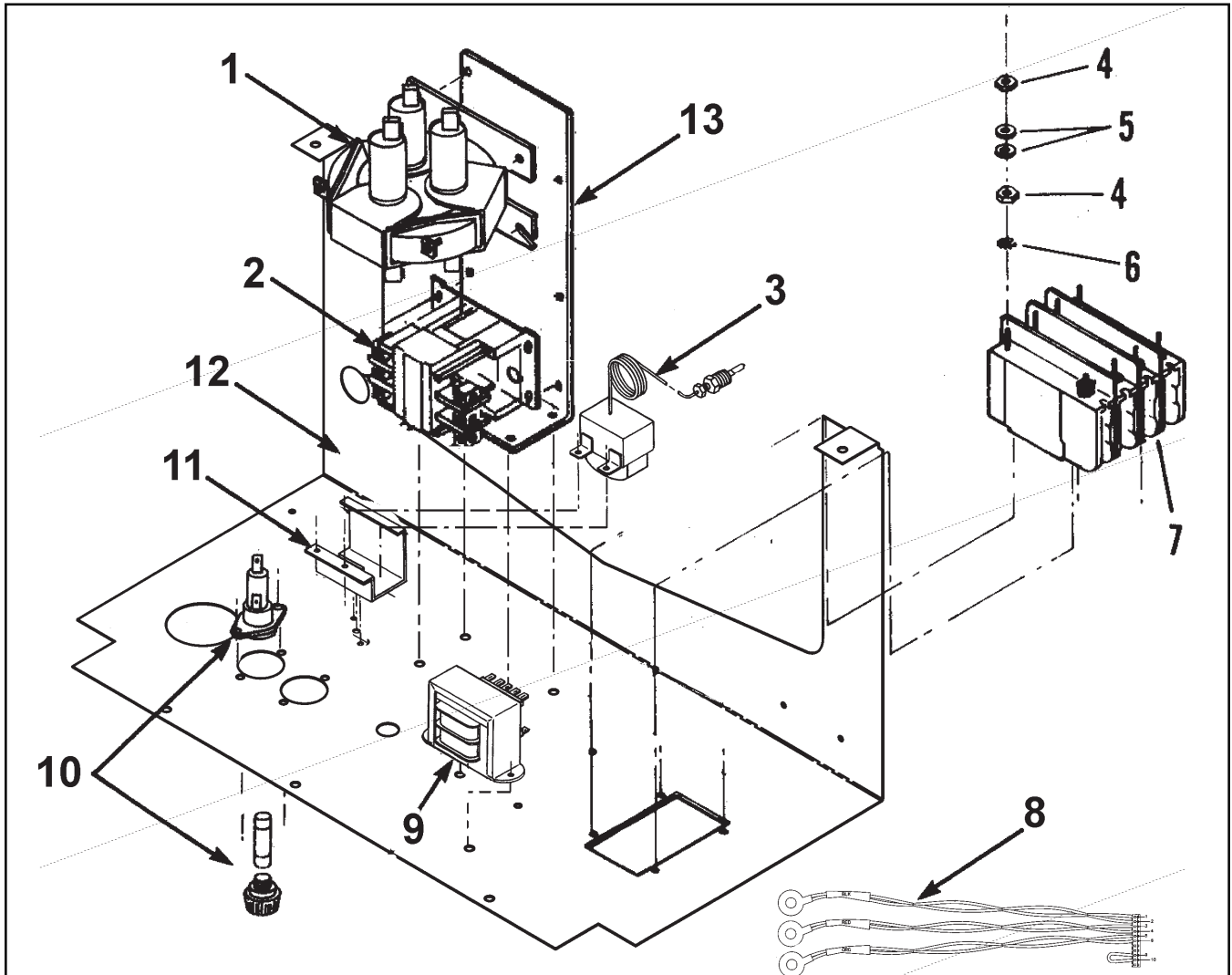


Figure 3-17. Control Shroud and Components (Single Phase Electric Model)

FIGURE & ITEM NO.	PART NUMBER	DESCRIPTION	UNITS PER ASSY
3-17		CONTROL SHROUD AND COMPONENTS, (Electric Model) Single Phase	
√ 1	29510	CONTACTOR, Mercury-24 VAC (Before SN: AA0909048)...	1
√ 1	65073	CONTACTOR, EM-24VAC (SN: AA0909048 & Above)	1
√ 2	29509	CONTACTOR - 24 Volt	1
√ 3	16738	CONTROL, High Limit Temperature	1
4	NS01-014	NUT, Hex	16
5	WA01-007	WASHER	16
6	LW02-005	LOCKWASHER.....	8
√ 7	18242	BREAKER, CIRCUIT 50 amp	1
√ 8	24347	ASSY, Current Sense Xformers	1
√ 9	72854	ASSY, Transformer - 24 VAC	1
√ 10	18364	ASSY, Fuse Holder - 15 amp	2
√ 10	EF02-007	FUSE, 15 amp	2
√ 10	EF02-006	HOLDER, Fuse.....	2
11	17216	ASSY, Bracket - High Limit	1
12	18244	SHROUD, Single Phase (KB020JJ & below).....	1
12	63226	SHROUD, Single Phase (KB021JJ to HB013JB).....	1
12	27418	SHROUD, Single Phase (HB014JB & above).....	1
13	29687	BRACKET, Double Contactor	1
14*	14033	KIT-3 Phase to 1 Phase Conversion (KB020JJ & below).....	1
14*	14677	KIT-3 Phase to 1 Phase Conversion (KB021JJ to HB013JB)...	1
14*	14678	KIT-3 Phase to 1 Phase Conversion (HB014JB & above).....	1

√ Recommended Parts

*not shown

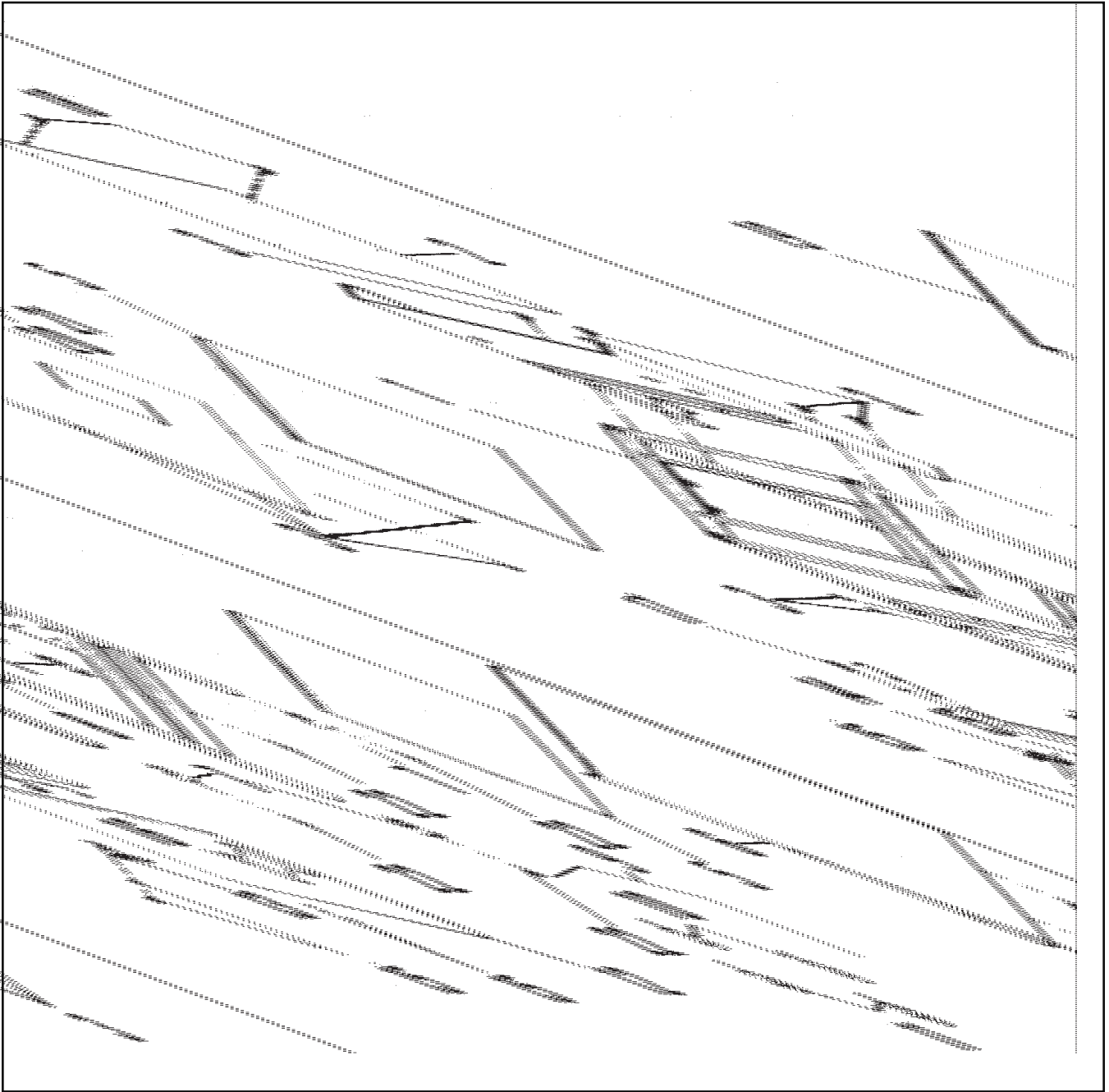


Figure 3-18. Frame and Cabinet Assembly

FIGURE & ITEM NO.	PART NUMBER	DESCRIPTION	UNITS PER ASSY
3-18		FRAME AND CABINET ASSEMBLY	
1		FRAME ASSEMBLY-See chart on next page	1
2		COVER, Back Shroud-See chart on next page	1
3	SC03-005	SCREW, Panels and Bracket, Sheet Metal	22
4		SHROUD ASSEMBLY-See chart on next page.....	1
5	59730	INSULATION, Side Panel, (Gas only).....	2
6		PANEL, Right Side, SS -See chart on next page	1
7	54225	INSERT, Aluminum Feet - 1 in. x 1 in.....	4
7	17612	INSERT, Aluminum Feet - 1 in. x 1-1/2 in.	4
8	59230	BRACKET, Magnetic Catch.....	1
8	17002	MAGNET	1
9	03007	CASTER, Assembly	1
10	17630	CASTER, Less Brake	2
11	17629	CASTER, w/Brake	2
12	17639	DOOR ASSEMBLY, Complete (KB020JJ & below-ele) (KA020JJ & below-gas)	1
12	58849	DOOR ASSEMBLY, Complete (KB021JJ & above-ele) (KA021JJ & above-gas)	1
13	17620	HINGE, Bottom Door.....	1
14	17618	HINGE, Top Door.....	1
15	SC01-072	SCREW, Door Hinge	8
16	41836	HANDLE, Door	1
17		PANEL, Front, Stainless Steel-See chart on next page	1
18	SC04-003	SCREW, Back Shroud	6
19		PANEL, Side Left, SS-See chart on next page	1
20	17627	LUG, Grounding.....	1
21	17611	SCREW, Grounding Lug	1
22	SC01-143	5/8-18x4 Hex Hd (bright finish) (adjust. legs).....	4
22	SC01-067	5/8-18x3-1/4 Hex Hd (black finish) (adjust. legs)	4
23*	NS03-050	NUTSERT, #8-32 Steel CAD Plated (hinge nutserts) ..	4
24*	SC01-234	SCREW, #8-32x1/2 PH Flat Hd (Door to Frame)	4

Frame and Cabinet Assembly

SN	Item No.	Description	500	600
KB020JJ & Below	2	Front Panel	17602	-
	6	Right Side Panel	17606	-
	19	Left Side Panel	17604	-
KA020JJ & Below	17	Front Panel	-	17602
	2	Back Shroud Cover	-	17346
	4	Shroud Assy	-	18740
	6	Right Side Panel	-	17606
	19	Left Side Panel	-	17604
KB021JJ to HB013JB	2	Back Shroud Cover	64255	-
	4	Shroud Assy	67900	-
	17	Front Panel	56974	
	1	Frame Assy(long)	64018	-
	1	Frame Assy(short)	64017	
	6	Right Side Panel	56972	-
	19	Left Side Panel	56973	-
KA021JJ to GA085JB	2	Back Shroud Cover	-	64255
	4	Shroud Assy	-	67900
	17	Front Panel	-	56974
	1	Frame Assy(long)		64018
	1	Frame Assy(short)		64017
	6	Right Side Panel	-	56972
	19	Left Side Panel		56973
HB014JB & Above	2	Back Shroud Cover	24534	-
	4	Shroud Assy	67900	-
	17	Front Panel	24515	-
	1	Frame Assy(short)	23679	-
	1	Frame Assy(long)	26854	-
	6	Right Side Panel	56972	-
	19	Left Side Panel	56973	-
GA086JB & Above	2	Back Shroud Cover	-	24534
	4	Shroud Assy	-	67900
	17	Front Panel	-	24515
	1	Frame Assy(short)	-	23679
	1	Frame Assy(long)	-	26854
	6	Right Side Panel	-	56972
	19	Left Side Panel	-	56973

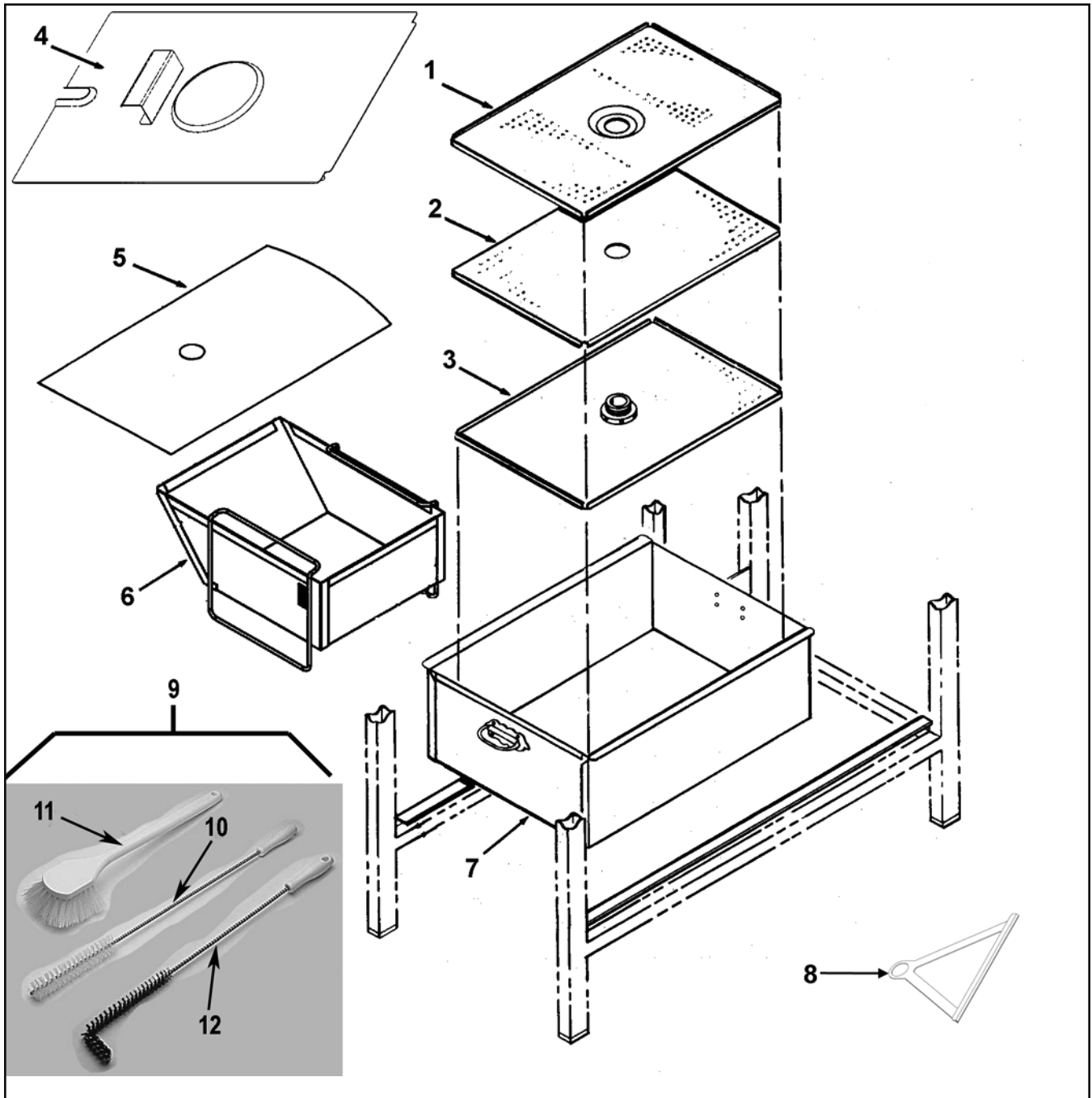


Figure 3-19. Filter Drain Pan and Filter Screen Assembly

FIGURE & ITEM NO.	PART NUMBER	DESCRIPTION	UNITS PER ASSY
3-19		FILTER DRAIN PAN AND FILTER SCREEN ASSEMBLY	
1	65211	CATCHER, Crumb - SS	1
2	NLA	SCREEN, Top Filter	1
3	Order 1, 3, & 8	SCREEN, Bottom Filter(SN: AA0503097 & below-500)..... (SN: AN0503086 & below-600)	1
3	65447	SCREEN, Bottom Filter-SS(SN: AA0503098 & above-500) 1 (SN: AN0503087 & above-600)	
4		COVER, Filter Drain Pan- See chart on next page	1
4		KIT, Cover/Drain Extension- See chart on next page	1
√ 5	12102	FILTER, Envelope Paper (100 per carton)	1
√ 5	24262	CARBON PAD, Filter Envelope (30 per carton)	1
√ 5	24263	CARBON, Filter Envelope (30 per carton)	1
6	03553	ASSY, Crumb Catcher-Model 500 (SN: HB013JB & below)	1
6	32882	ASSY, Crumb Catcher-Model 500 (SN: HB014JB & above)	1
6	03554	ASSY, Crumb Catcher-Model 600 (SN: GA085JB & below)	1
6	65127	ASSY, Crumb Catcher-Model 600 (SN: GA086JB & above)	1
7		PAN, Filter Drain Assembly- See chart on next page	1
7	23499	PAN, Filter Drain Assy. (CFA- SN: JB095JA to HB013JB) ..	1
8	62116	BAR, Filter Sealer	1
√ 9	14461	KIT, Brush Set	1
10	12112	BRUSH, Straight White	1
11	12116	BRUSH, Fryer - Gong - Long Handle.....	1
12	12126	BRUSH, Black L Tipped	1
13*		FILTER PAN DOLLY-See chart on next page	1

√ Recommended Parts

*not shown

NLA - No Longer Available

Standard Filter Pan & Cover Assys.

SERIAL NUMBER	DESCRIPTION	MODEL 500	MODEL 600
KB020JJ & Below	Pan Cover	18915	----
	Pan	19206	----
	Pan Dolly	03387	----
KA020JJ & Below	Pan Cover	----	17512
	Pan	----	17506
	Pan Dolly	----	03352
KB021JJ to BB016JA	Pan Cover	64024	----
	Pan	58848	----
	Pan Dolly	03389	----
	Cover/Drain Ext. Kit	14414	----
KA021JJ to BA026JA	Pan Cover	----	64023
	Pan	----	58848
	Pan Dolly	----	03389
BB017JA to HB013JB	Pan Cover	64021	----
	Pan	64014	----
	Pan Dolly	03391	----
	Cover/Drain Ext. Kit	14415	----
BA027JA to GA085JB	Pan Cover	----	64020
	Pan	----	64014
	Pan Dolly	----	03391
HB014JB & Above	Pan Cover	68065	----
	Pan	24702	----
	Pan Dolly	03343	----
GA086JB & Above	Pan Cover	----	68066
	Pan	----	17506
	Pan Dolly	----	03352

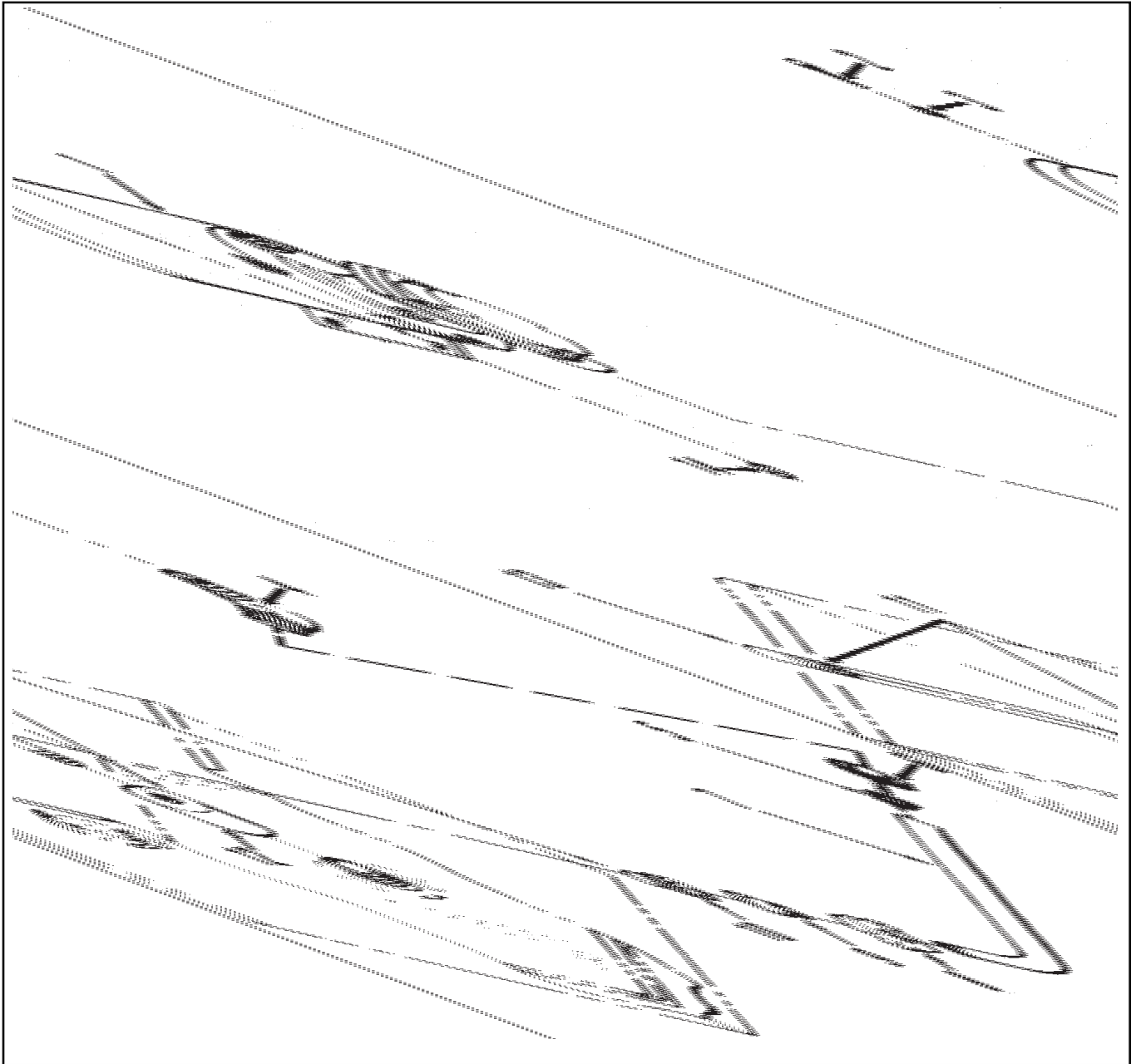


Figure 3-20. Lower Filter Plumbing Components

FIGURE & ITEM NO.	PART NUMBER	DESCRIPTION	UNITS PER ASSY
3-20		LOWER FILTER PLUMBING COMPONENTS (Gas and Electric Models)	
1	67589	MOTOR AND PUMP, Filter.....	1
√	67583	MOTOR Only - 1/2 Horse Power.....	1
	17437	PUMP Only.....	1
√	17476	SEAL KIT, Pump.....	1
2	SC01-022	SCREW, Motor	8
3	WA01-002	WASHER	8
4	17407	CONNECTOR, Male Elbow	1
5	16808	FITTING, Sleeve	1
6	16809	NUT Fitting.....	1
7		PUMP RETURN TUBE- See chart next page	1
√ 8	17432(use69289)	FITTING, Union Handle	1
√ 9	17431(use69289)	FITTING, Male Union.....	1
√ 10	17430(use69289)	FITTING, Female Union (Also included with item 11)	1
11		STANDPIPE ASSY, Filter Screen- See chart next page	1
12	65208	NUT, Filter Screen - SS	1
13		TUBING- See chart next page	1
14	NS02-002	NUT, Motor.....	4

√ Recommended Parts

Lower Filter Plumbing Components

SN		500	600
KB020JJ & Below	Standpipe Assy	19102	-
	Standpipe Tube	19101	-
	Pump Return Tube Assy	16812 (includes 16808 & 16809)	-
	Pump Return Tube	64331 (use if pan has cover)	-
KA020JJ & Below	Standpipe Assy	-	17433
	Standpipe Tube	-	55367
	Pump Return Tube Assy	-	16812 (includes 16808 & 16809)
	Pump Return Tube	-	64331 (use if pan has cover)
KB021JJ to HB013JB	Standpipe Assy	14732	-
	Standpipe Tube	70061	-
	Pump Return Tube	58877	-
KA021JJ to GA085JB	Standpipe Assy	-	14732
	Standpipe Tube	-	70061
	Pump Return Tube	-	58877
HB014JB & Above	Standpipe Assy	14659	-
	Standpipe Tube	23951	-
	Pump Return Tube Assy	23800 (includes 16808 & 16809)	-
GA086JB & Above	Standpipe Assy	-	14664
	Standpipe Tube	-	24284
	Pump Return Tube Assy	-	23800 (includes 16808 & 16809)

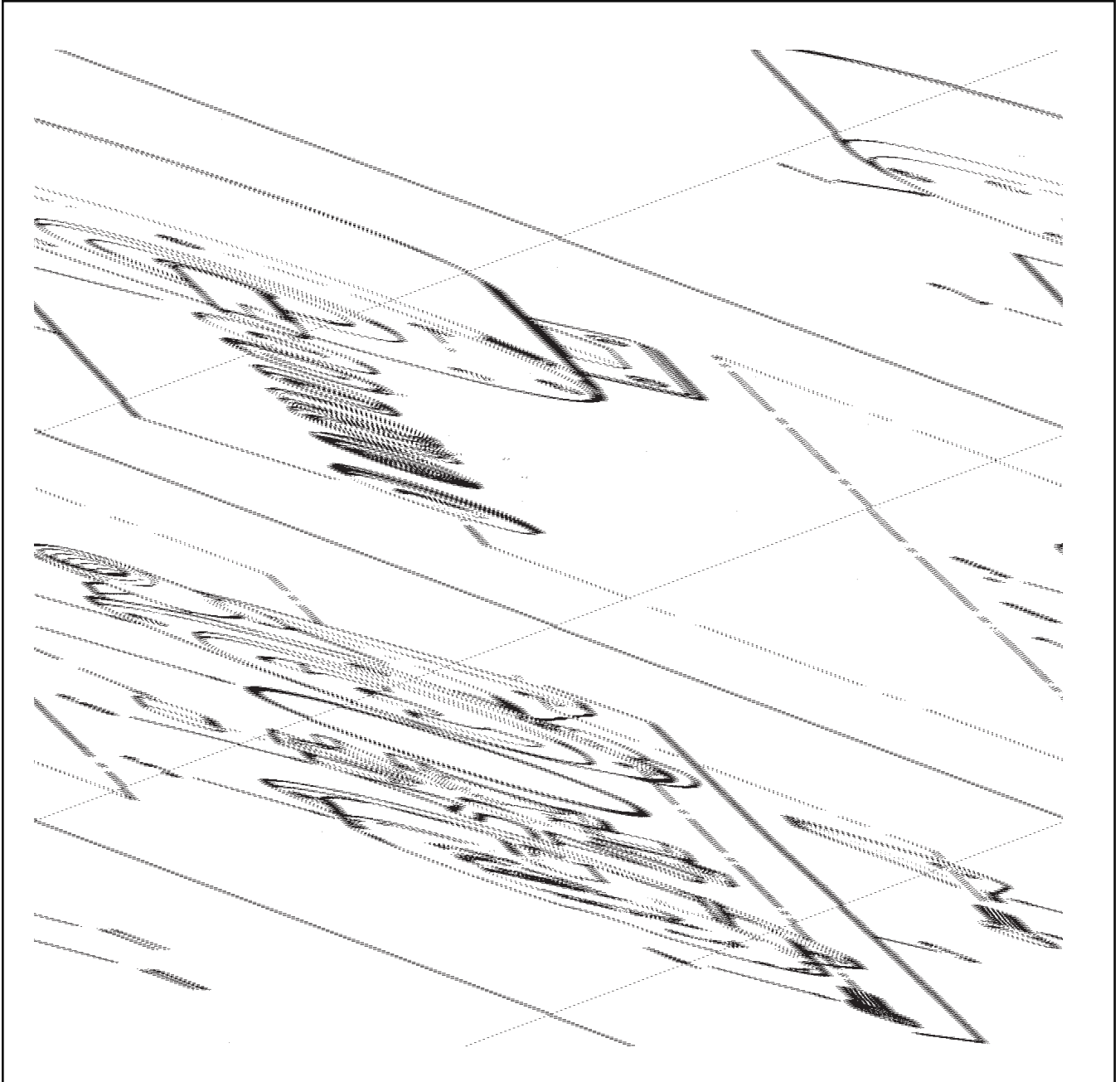


Figure 3-21. Filter Motor and Pump

FIGURE & ITEM NO.	PART NUMBER	DESCRIPTION	UNITS PER ASSY
3-21		FILTER MOTOR AND PUMP	
√ 1	67583	MOTOR, 1/2 HP - 50/60 Hz	1
√ 2	17476	SEAL KIT	1
3	17437	PUMP ASSEMBLY.....	1
√ 4	SC01-132	SCREW, Pump Cover	1
√ 5	17451	COVER, Pump.....	1
√ 6	17447	ROTOR, Pump.....	1
√ 7	17446	ROLLER, Pump.....	5
√ 8	17453	O-RING.....	1
√ 9	17454	BODY, Pump	1
√ 10	17456	SHIELD, Pump.....	2
√ 11	SC01-026	SCREW, Pump Shield.....	1

√ Recommended Parts

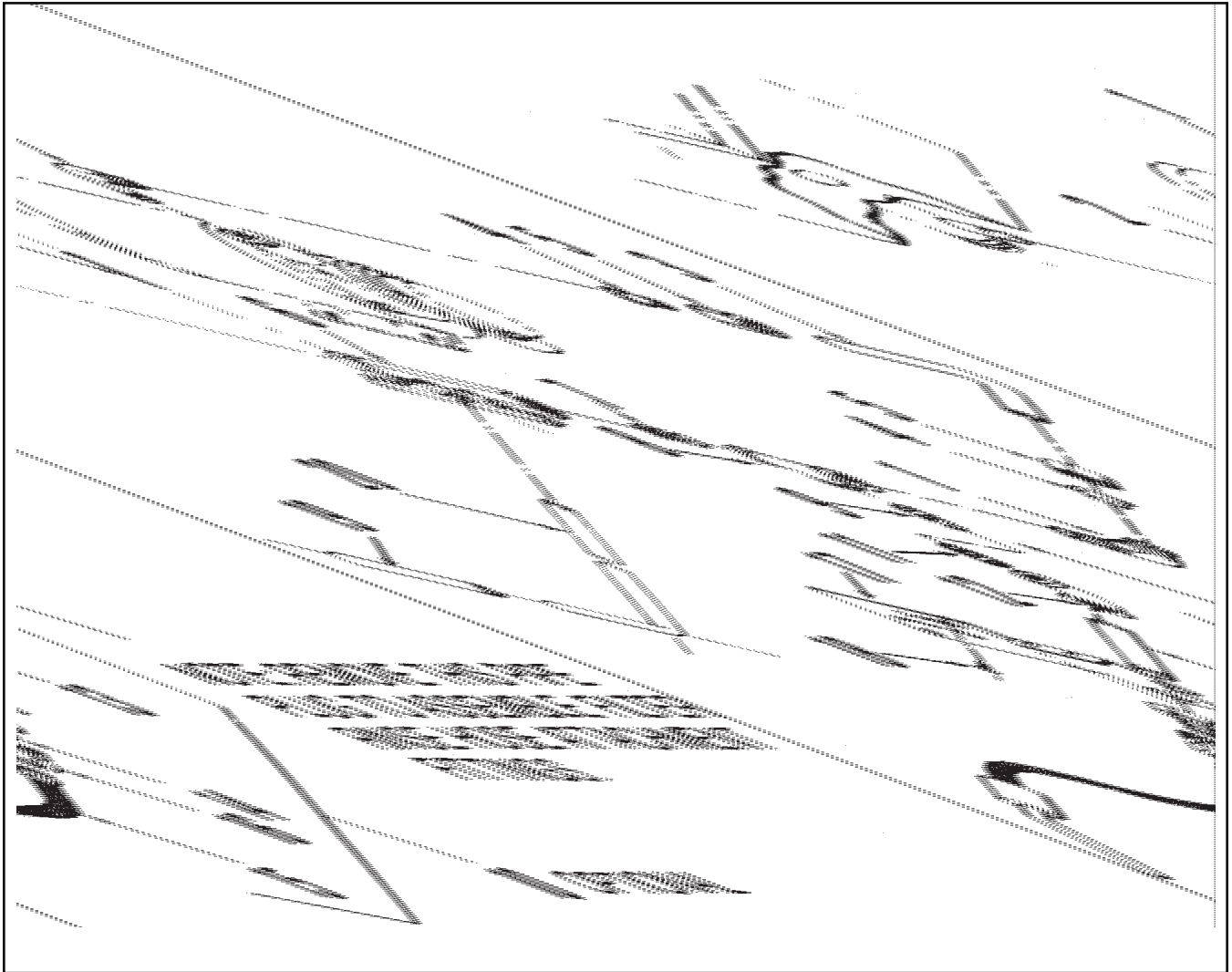


Figure 3-22. Upper Filter Plumbing Components

FIGURE & ITEM NO.	PART NUMBER	DESCRIPTION	UNITS PER ASSY
3-22	UPPER FILTER PLUMBING COMPONENTS		
1	17407	CONNECTOR, Male Elbow	2
2	17255	PIN, Cotter, Valve	1
3		TUBING, Stainless Steel- See chart next page	1
4	16808	FITTING, Sleeve	2
5	16809	NUT, Fitting.....	2
√ 6	17308	VALVE ASSEMBLY, Filter	1
7	FP02-001	NIPPLE, Close.....	1
8	17306	TEE, Pipe	1
9	FP01-015	PLUG, Pipe.....	1
10	03001	HOSE ASSY, Filter Rinse Optional (models 500).....	1
10	03002	HOSE ASSY, Filter Rinse Optional (models 600).....	1
11	FP02-007	NIPPLE, Pipe.....	1
12	17319	ELBOW, Pipe.....	1
13		NIPPLE, Rinse Hose Pipe- See chart next page	1
14	17334	FITTING, Rinse Hose Disconnect, Male	1
15	03003	HOSE, Filter Rinse	1
16	17333	FITTING, Rinse Hose Disconnect - Female.....	1
17		BRACKET, Rinse Hose- See chart next page	1
18	SC03-005	SCREW, Rinse Hose Bracket	2
19	16293	COVER, Valve Rod	1
20	17311	ROD, Filter Valve Extension (model 600).....	1
20	18911	ROD, Filter Valve Extension (models 500)	1

√ Recommended Parts

Pump to Valve Tube

SN	Item No.		500	600
KB020JJ & Below	3	Pump to Valve Tube	18904	-
	13	Rinse Hose Pipe Nipple	17320	-
	17	Filter Valve & Rinse Hose Brkt	18419	-
KA020JJ & Below	3	Pump to Valve Tube	-	17329
	13	Rinse Hose Pipe Nipple	-	17320
	17	Filter Valve & Rinse Hose Brkt	-	17224
KB021JJ to HB013JB	3	Pump to Valve Tube	63134	-
	13	Rinse Hose Pipe Nipple	17320	-
	17	Filter Valve & Rinse Hose Brkt	63193	-
KA021JJ to GA085JB	3	Pump to Valve Tube	-	63246
	13	Rinse Hose Pipe Nipple	-	17320
	17	Filter Valve & Rinse Hose Brkt	-	17224
HB014JB & Above	3	Pump to Valve Tube	27405	-
	13	Rinse Hose Pipe Nipple	24982	-
	17	Filter Valve & Rinse Hose Brkt	23917	-
GA086JB & Above	3	Pump to Valve Tube	-	27456
	13	Rinse Hose Pipe Nipple	-	24982
	17	Filter Valve & Rinse Hose Brkt	-	27457

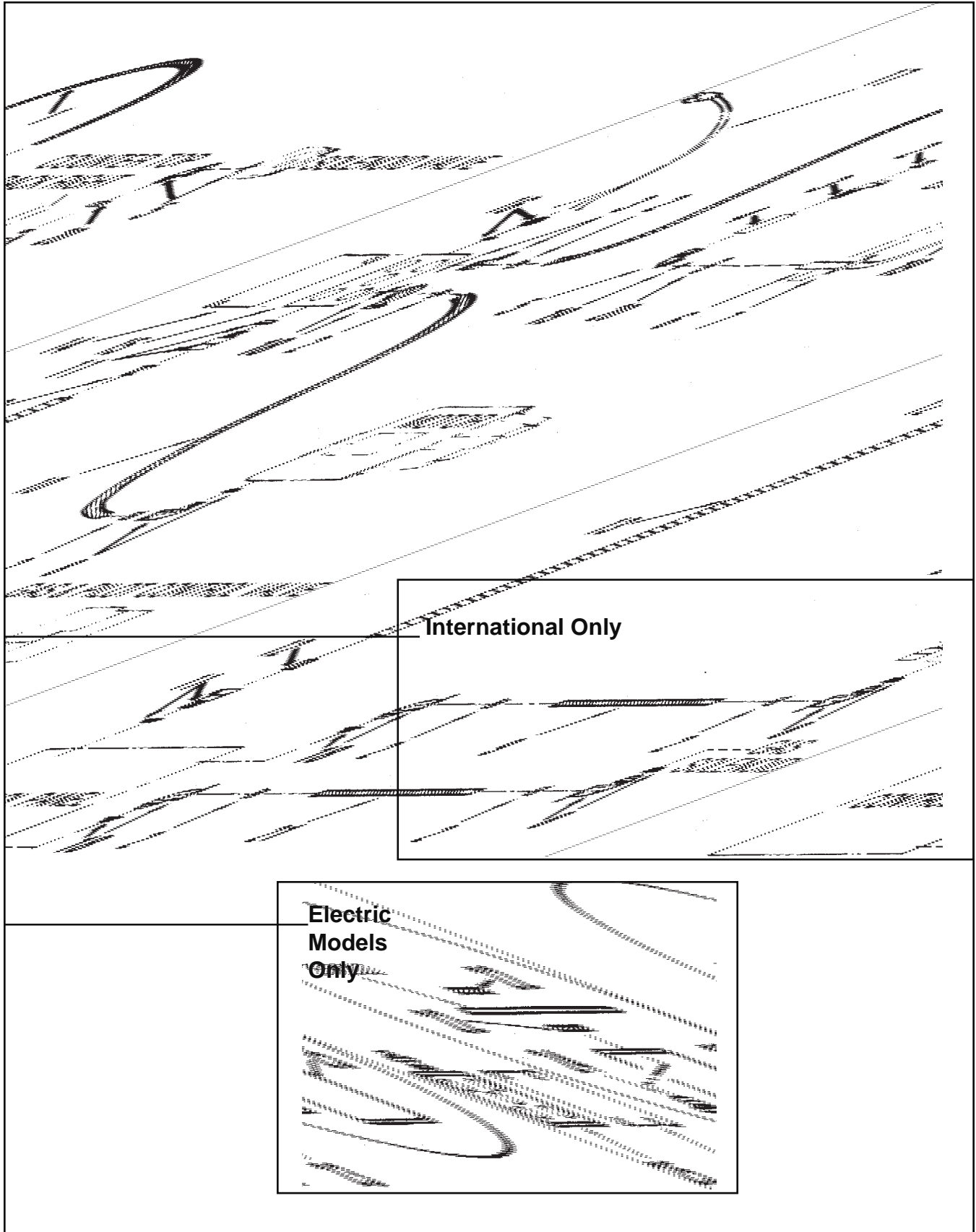


Figure 3-23. Electric Conduit Assembly

FIGURE & ITEM NO.	PART NUMBER	DESCRIPTION	UNITS PER ASSY
3-23		ELECTRIC CONDUIT ASSEMBLY	
1	18527	CONDUIT, Flexible.....	1
2	18105	BUSHING, Anti Short	8
3	18111	CONNECTOR, Conduit	2
4	FP01-018	COUPLING, Pipe	1
5	18113	CONNECTOR, Conduit, 90°	2
6	59218	TUBE, Conduit - Solenoid.....	1
7	16804	GROMMET, Umbrella	1
8	18107	CONNECTOR, Conduit, 90°	1
9	17221	CONDUIT, Flexible	1
10	30291	CONDUIT, Flexible	1
11	18104	CONNECTOR, Conduit	2
12	18108	BUSHING, Anti Short	2
13	33628	CONDUIT, Flexible	1
14	18101	COVER, Junction Box	1
15	18102	BOX, Junction	1
16	18103	CONNECTOR, Power Cord	1
17	53656	CORD, Power, With Grounded Plug - Gas Models only...	1
17	83889	CORD ASSY, 12 Gauge, CFA (480V).....	1
18	18644	CONDUIT CONNECTOR	1
19	16817	SLEEVE, Teflon.....	2
20	16809	NUT, Fitting.....	2
21	44814	CONDUIT, Flexible.....	1
22	19617	NUT, Lock, 3/4 inch	2
23	19708	COVER, Junction Box.....	1
24	19616	NIPPLE, 3/4 inch Chase	1
25	19707	BOX, Main Power Junction.....	1

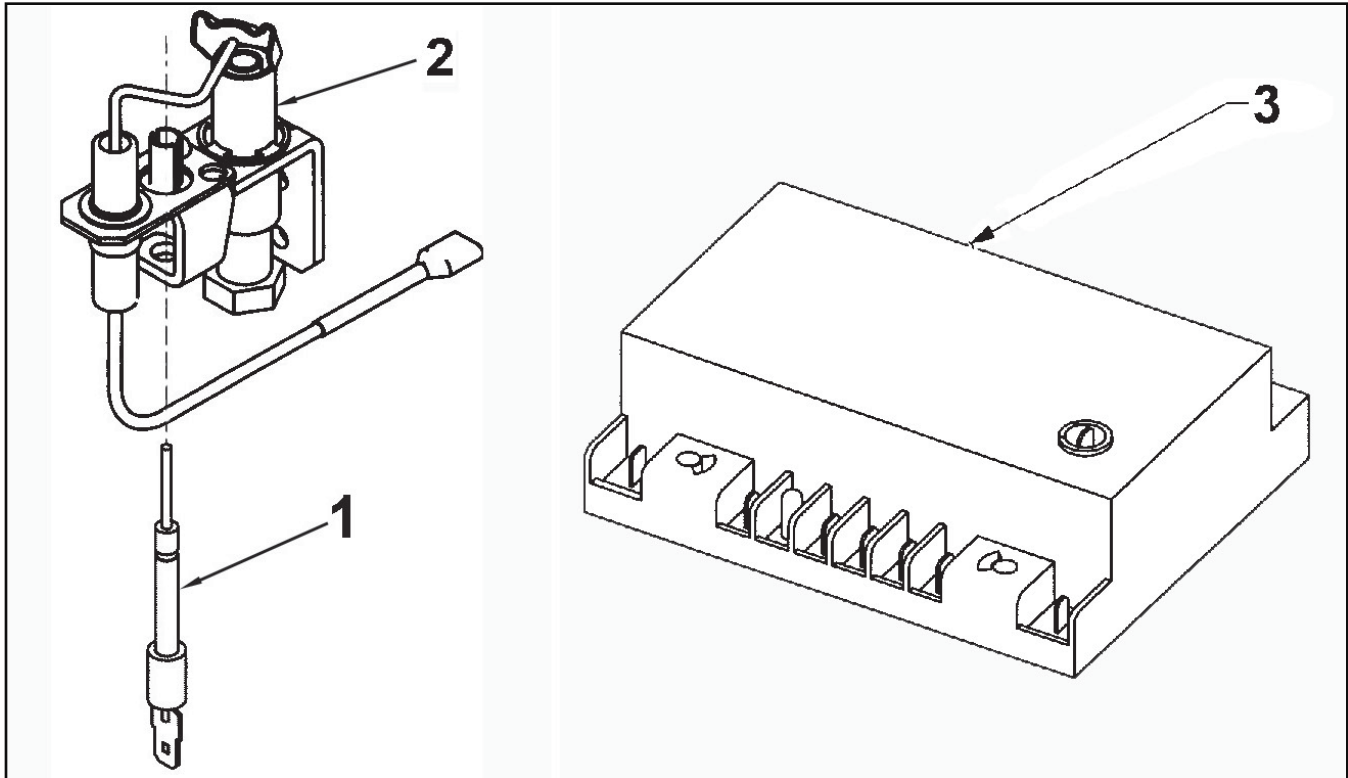


FIGURE & ITEM NO.	PART NUMBER	DESCRIPTION	UNITS PER ASSY
3-24		ELECTRONIC IGNITION ASSEMBLY (July 10, 2006 and after)	
√ 1	60292	SENSOR-FLAME, Pilot.....	1
√ 2	67227	ELECTRODE, Spark/Sense	1
√ 3	77839	IGNITION MODULE	1

√ Recommended Parts
*not shown