

**SECTION 3. PARTS INFORMATION**

**3-1. INTRODUCTION**

This section lists the replaceable parts of the Henny Penny Model 691 fryer.

**3-2. GENUINE PARTS**

Use only genuine Henny Penny parts in your fryer. Using a part of lesser quality or substitute design may result in damage to the unit or personal injury.

**3-3. WHEN ORDERING PARTS**

Once the parts that you want to order have been found in the parts list, write down the following information:

Example:

Item Number	<u>2</u>
Part Number	<u>16738</u>
Description	<u>High Limit</u>

From the data plate, list the following information:

Example:

Product Number	<u>01100</u>
Serial Number	<u>0001</u>
Voltage	<u>120</u>

**3-4. PRICES**

Your distributor has a price parts list and will be glad to inform you of the cost of your parts order.

**3-5. DELIVERY**

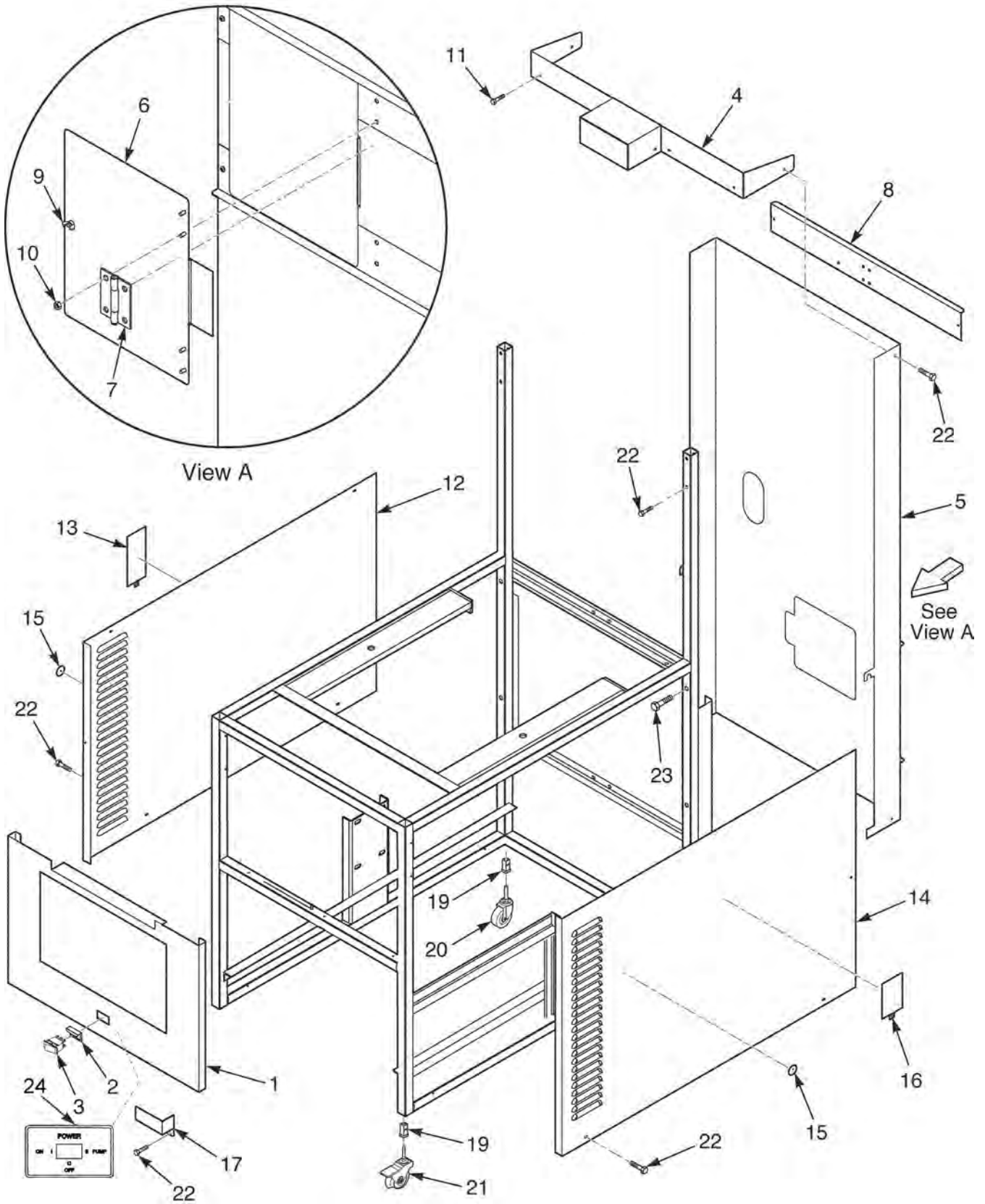
Commonly replaced items are stocked by your distributor and will be sent out when your order is received. Other parts will be ordered, by your distributor, from Henny Penny Corporation. Normally, these will be sent to your distributor within three working days.

**3-6. WARRANTY**

All replacement parts (except lamps and fuses) are warranted for 90 days against manufacturing defects and workmanship. If damage occurs during shipping, notify the carrier at once so that a claim may be properly filed. Refer to warranty on the facing page for other rights and limitations.

**3-7. RECOMMENDED  
SPARE PARTS FOR  
DISTRIBUTORS**

Recommended replacement parts, stocked by your distributor, are indicated with √ in the parts lists. Please use care when ordering recommended parts, because all voltages and variations are marked. Distributors should order parts based upon common voltages and equipment sold in their territory.



**FIGURE 3-1. FRAME & COVER ASSEMBLY**

Figure & Item No.	Part No.	Description	Qty.
3-1		FRAME & COVER ASSEMBLY	
1	39796	WELDMENT – CONTROL PANEL FRONT.....	1
2	53669	GUARD – POWER SWITCH.....	1
√ 3	29898	SWITCH – POWER.....	1
5	70591	REAR SHROUD – ACCESS ASSEMBLY.....	1
6	58258	. ACCESS COVER – STUD ASSEMBLY.....	1
7	58256	. HINGE – 2” LEAF HT.....	2
9	NS03-033	. NUT, WING – SS 10-24.....	1
10	NS03-002	. NUT, ACORN #10-24.....	8
12	70438	PANEL – SIDE LH.....	1
13	36337	DOOR – ACCESS.....	1
14	70439	PANEL – SIDE RH.....	1
15	PL01-035	COVER – PILOT VIEW.....	2
16	35179	COVER – ACCESS COVER (SN: AP0603009 & BELOW) ...	1
16	36337	COVER, Access Cover (SN: AP0603010 & ABOVE).....	1
17	51741	COVER, GAS VALVE WIRE.....	1
19	54225	1” INSERT – LEG MACHINED.....	4
20	53673	CASTER, SWIVEL 4”.....	2
21	37246	CASTER W/BRAKE & SWIVEL LOCK.....	2
22	SC03-005	SCREW.....	8
23	SC01-215	SCREW.....	4
24	54921	LABEL - POWER/PUMP.....	1
25*	51801	RUNNER - DRAIN PAN (S/N BELOW HH001JJ).....	2

√ recommended parts

\* not shown

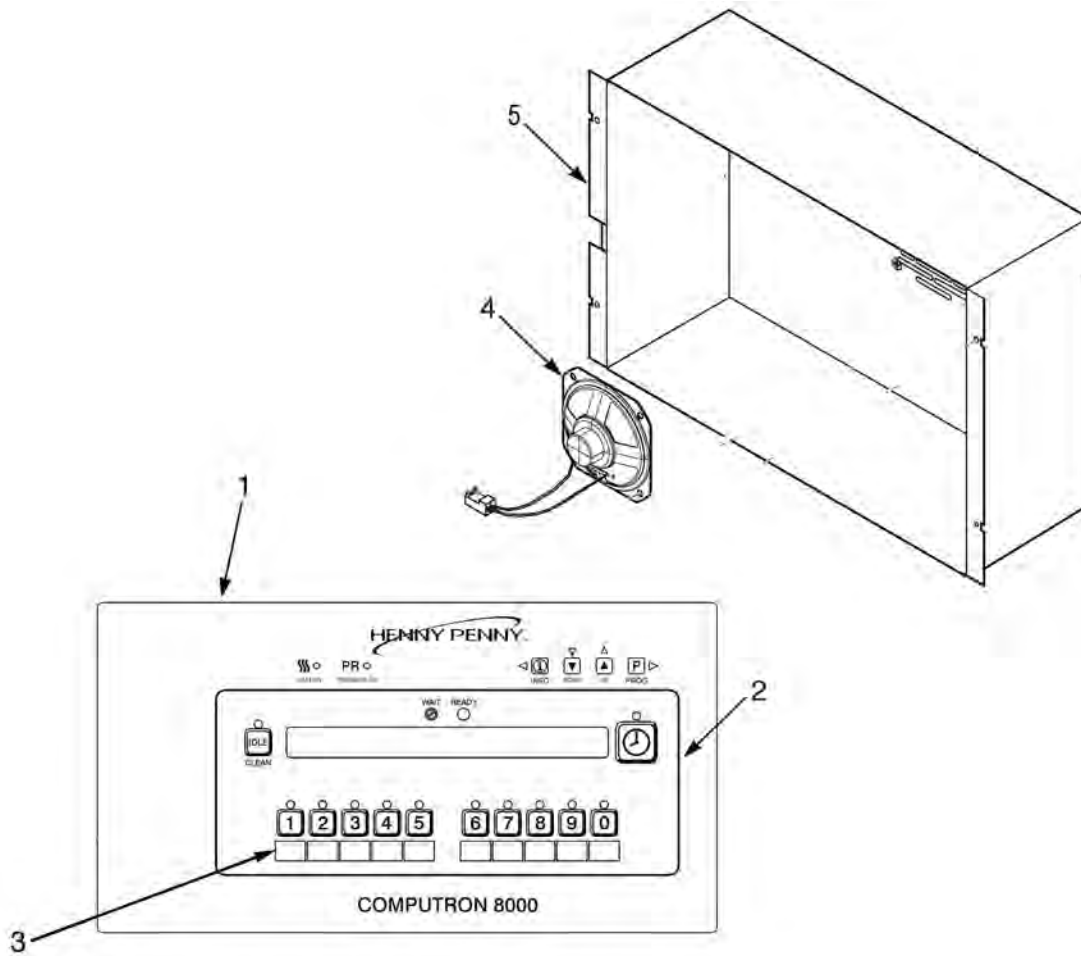


Figure & Item No.	Part No.	Description	Qty.
3-2		CONTROL PANEL	
√ 1	65279RB	CONTROL ASSY – 691 (S/N FH001JC AND HIGHER).....	1
√ 1	14465	CONTROL ASSY KIT, 120V, 691 (BELOW S/N FH001JC) .....	1
√ 1	14466	CONTROL ASSY KIT, 220-240V, 691 (BELOW S/N FH001JC) ....	1
√ 1	14636	KIT-691 to Giant of Carlisle C8000-60HZ (BELOW S/N FH001JC)	1
√ 1	14637	KIT-691 to Giant of Carlisle C8000-50HZ (BELOW S/N FH001JC)	1
√ 1	65933RB	ASSY-8HD Giant of Carlisle CNTRL(S/N FH001JC AND HIGHER)	1
√ 1	66120RB	ASSY - 8HD C8000 POLLO CONTROL.....	1
2	65236	. CONTROL DECAL .....	1
3	32634	. MENU CARD, BLANK .....	1
3	65922	. MENU CARD, PREPRINTED - GM .....	1
3	65923	. MENU CARD - GIANT OF CARLISLE .....	1
3	69228	. MENU CARD - POLLO CAMPERO.....	1
√ 4	26974	. WIRE/SPEAKER ASSY .....	1
5	65661	. STUD ASSY-8-HEAD-C8000- COVER .....	1
6*	65893RB	. ASSY - I/O BOARD.....	1
7*	72854	. ASSY-TRANSFORMER, 24VAC.....	1

√ recommended parts/\* not shown

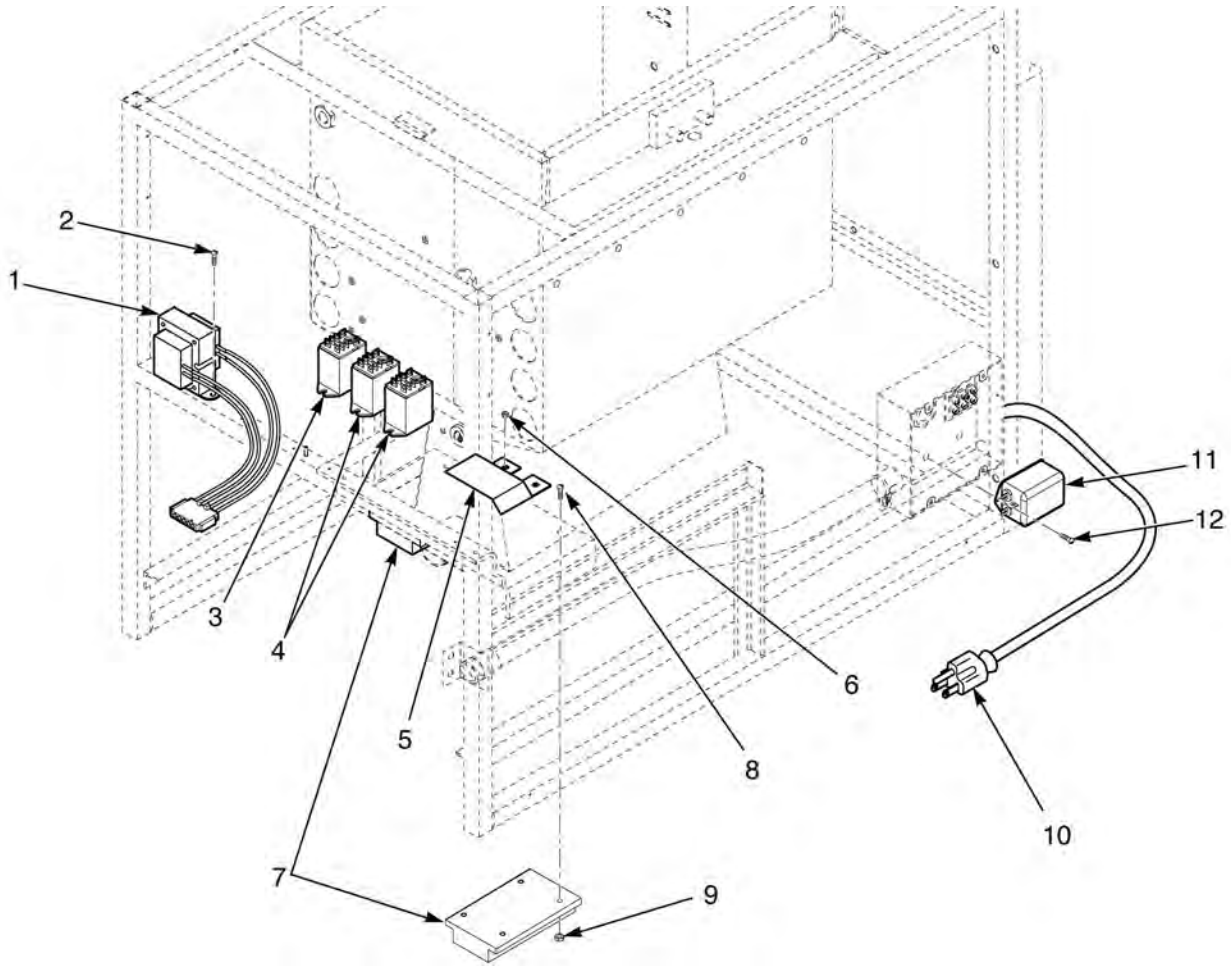


Figure & Item No.	Part No.	Description	Qty.
3-3		ELECTRICAL CONTROLS	
√ 1	60207	TRANSFORMER ASSY – 120V .....	1
√ 1	60536	TRANSFORMER ASSY -- 24V/230V .....	1
2	SC03-005	SCREW .....	2
√ 3	140049	KIT, RELAY, 120V (SN: AP0903010 & below).....	1
√ 3	81914	RELAY, 120V (SN: AF0903011 & above).....	1
√ 3	56394	Power Relay-240V .....	1
√ 4	60818	Relay - 24V-10A.....	2
5	62053	SHIELD – WIRE – RH BURNER NON CE .....	1
6	NS02-005	NUT.....	2
√ 7	14932	KIT - IGNITION MODULE - SN: AP0803002 & below.....	2
√ 7	77839	IGNITION MODULE - SN: AP0803003 & above .....	2
√ 7	14921	KIT - IGNITION MODULE - CE - SN: AP0803002 & below .....	2
√ 7	77602	IGNITION MODULE - CE - SN: AP0803003 & above .....	2
8	SC01-214	SCREW #10-32 X 1 PH THD SS.....	4
9	NS02-001	NUT HEX KEPS #10-32 C.....	4
10	53656	POWER CORD – 120V .....	1
√ 11	54988	FILTER – 220V – 50/60HZ GA CE.....	1
12	SC01-006	SCREW #10-32 X 3/8 PH THD C .....	2
13*	77923-01	CABLE - SUPPRESSION - 18 IN.....	1
13*	77923-02	CABLE - SUPPRESSION - 12 IN.....	1

√ recommended parts/\* not shown

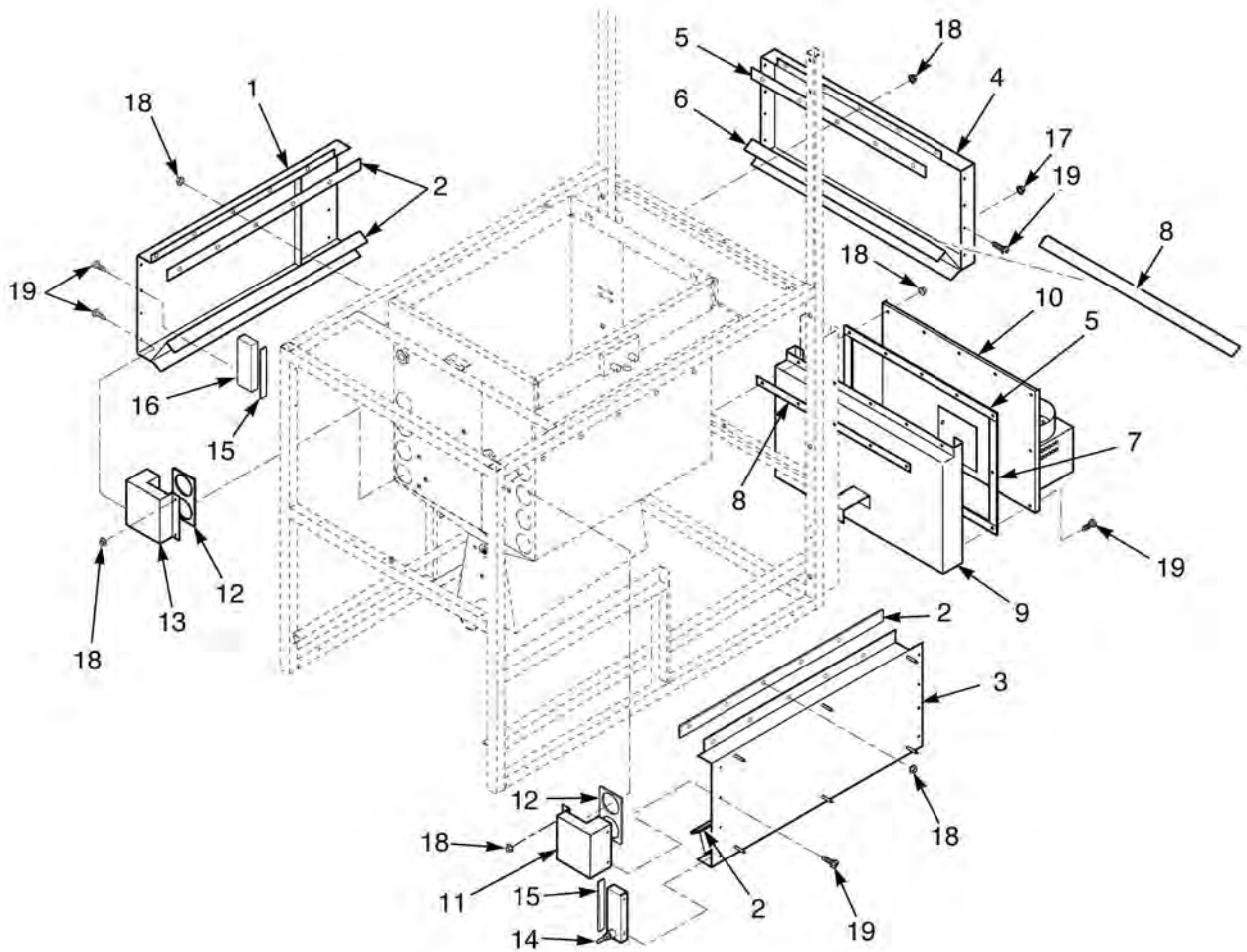


Figure & Item No.	Part No.	Description	Qty.
3-4		FRYPOT COVERS & INSULATION	
1	52799	ASSY-INSUL/LFT. C/CHAMBER .....	1
2	52041	INSULATION-C/CHAMBER MOUNTIN .....	4
3	52798	ASSY-INSUL/RT. C/CHAMBER .....	1
4	52800	ASSY-INSUL/REAR C/CHAMBER .....	1
5	52038	INSULATION-LOWER CHAMBER DUC .....	3
6	52040	INSULATION-REAR C/CHAMBER .....	1
7	51897	INSULATION-LOWER CHAMBER COV .....	2
8	52039	INSULATION-C/CHAMBER COLLAR.....	1
9	52120	ASSY-LOWER C/CHAMBER DUCT.....	1
10	52801	ASSY-INSUL/CHAMBER COVER .....	1
11	52795	ASSY INSUL/TUBE-CHAMBER RT. ....	1
12	52792	INSULATION-TUBE TO C/CHAMBER .....	2
13	52794	ASSY-INSUL/TUBE-CHAMBER LFT. ....	1
14	52797	ASSY-INSUL/LOWER CHAMBER CAP.....	1
15	52793	INSULATION - C/CHAMBER CAP .....	2
16	52796	ASSY-INSUL/UPPER CHAMBER CAP.....	1
17	NS02-005	NUT HEX KEPS #6-32C .....	5
18	NS02-006	NUT HEX KEPS #10-24C .....	34
19	SC02-014	SCREW #8 AB X 3/8 PH #400SS .....	27

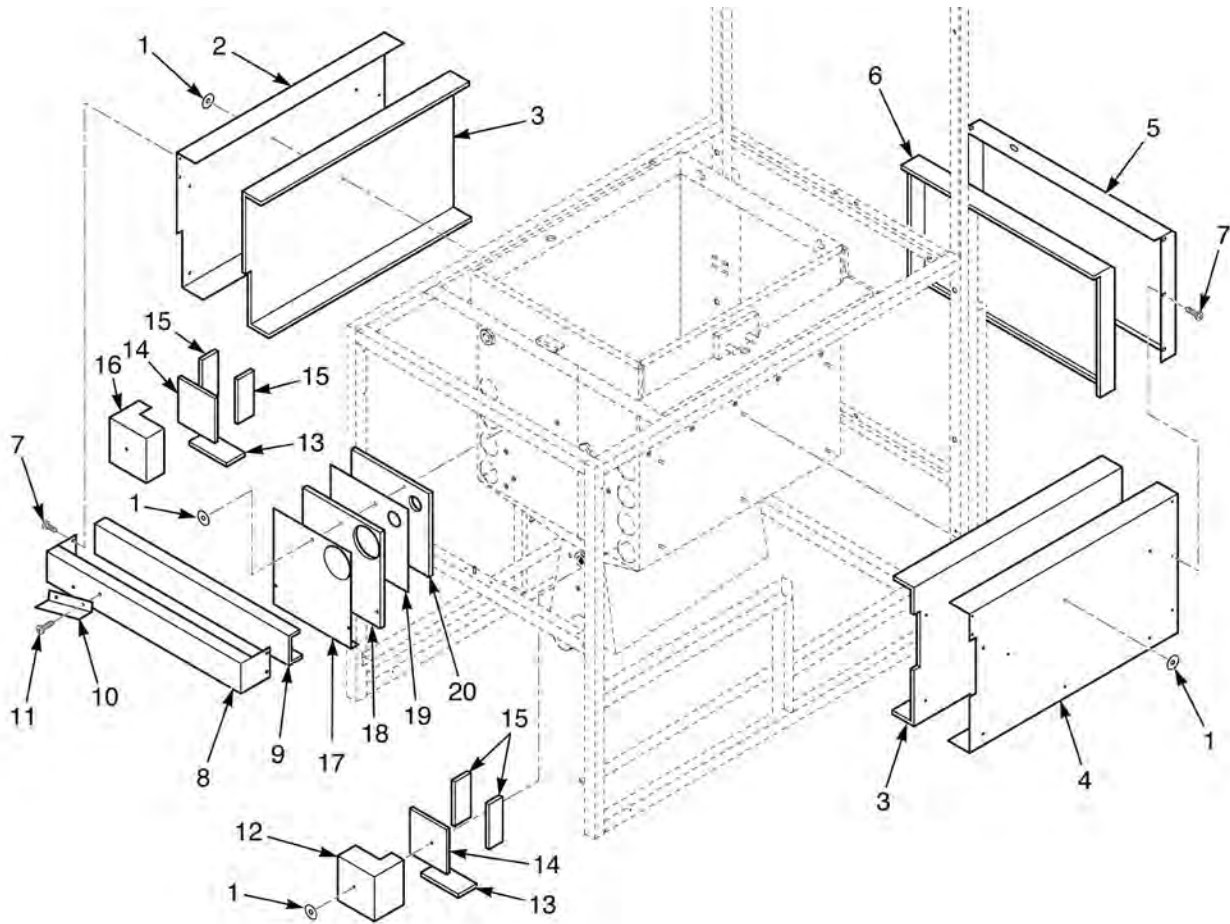
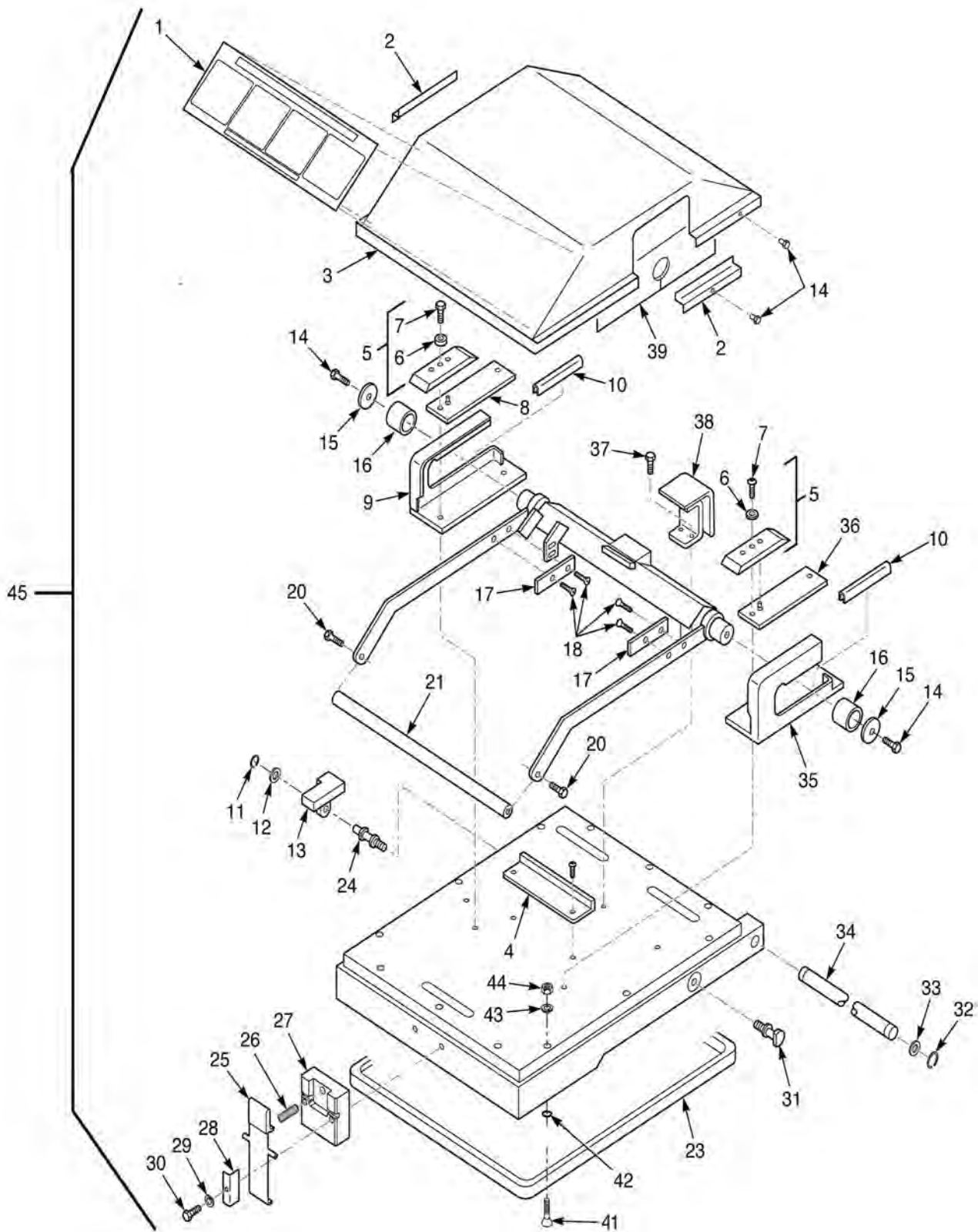


Figure & Item No.	Part No.	Description	Qty.
3-5		INSULATION COVERS	
1	WA02-001	WASHER – INSULATION 1-1/2” DIA.....	17
2	51763	INSULATION COVER – LEFT.....	1
3	51892	INSULATION – C/CHAMBER SIDE.....	2
4	51765	INSULATION COVER – RIGHT.....	1
5	51759	INSULATION COVER – REAR.....	1
6	51893	INSULATION – REAR C/CHAMBER.....	1
7	SC02-014	SCREW #8-AB X 3/8 PH #400SS.....	10
8	51739	TOP FRONT INSULATION PANEL.....	1
9	51894	INSULATION – TOP FRONT PANEL.....	1
10	62060	SHIELD – HIGH LIMIT.....	1
11	SC03-005	SCREW SD #8 X 1/2 PH PHD.....	2
12	51753	INSULATION COVER – TUBE TRAN RH.....	1
13	53661	INSUL. – TUBE/CHAMBER-SIDE.....	4
14	53662	INSUL – TUBE/CHAMBER-BOTTOM.....	2
15	53660	INSUL. – TUBE/CHAMBER-BACK.....	2
16	51755	INSULATION COVER – TUBE TRANS.....	1
17	51821	CONTROL INSULATION COVER LH.....	1
18	53659	INSULATION – POT FRONT (FOIL).....	1
19	51806	POT FRONT INSULATION COVER.....	1
20	53658	INSULATION – POT FRONT.....	1



**FIGURE 3-6. LID & COVER ASSEMBLY**



Figure & Item No.	Part No.	Description	Qty.
3-6		LID & COVER ASSEMBLY	
1	35792	LID INSTRUCTION LABEL .....	1
2	35675	FILLER-LID .....	2
3	35243	COVER-MAIN LID .....	1
4	35413	PLATE-TRIP.....	1
√ 5	52627	PRESSURE PAD ASSY. ....	2
6	49852	. BUSHING-PRESSURE PAD .....	2
7	SC01-204	. SCREW 1/4-20X1.00 SOCK BUTT .....	2
8	49962	PLATE, SHIM ASSY. (L.H.).....	1
9	49890	PLATE, CAM GUIDE (L.H.).....	1
10	35359	SLIDE (6").....	2
11	RR01-004	RING, RETAINING ½".....	1
12	WA01-020	WASHER, LID STOP.....	1
13	51531	CAST, LID STOP .....	1
14	SC01-074	SCREW, #10-32 x ½ PH THD SS .....	8
15	35223	WASHER, SPECIAL.....	1
16	35227	ROLLER, LINKAGE SHAFT.....	2
17	35339	GUIDE, HANDLE SIDE.....	2
18	SC01-062	SCREW, #6-32 x 3/8 PH FH .....	4
20	SC01-041	SCREW, 5/16-18 x 1.00 HEX HD C .....	2
21	36285	WELDMENT, HANDLE TAP PLATE .....	1
√ 23	34526	GASKET, LID - SN: AP0712013 & below .....	1
√ 23	66620	GASKET, LID - SN: AP0712014 & above.....	1
24	35945	PIN, LID SUPPORT .....	1
25	52497	LATCH ASSEMBLY, COATED.....	1
26	52498	LATCH SPRING .....	1
27	59169	LATCH BRACKET, LID (MACHINED) .....	1
28	51707	LATCH BRACKET, LID.....	2
29	LW02-006	LOCKWASHER, LATCH .....	2
30	SC01-248	SCREW, LATCH, 10-32 x 1.25 PH THD SS .....	2
31	35032	PIN, LID SUPPORT .....	1
32	RR01-010	RING, RET. 3/4 SHAFT SS .....	2
33	36312	WASHER, LID HINGE .....	2
34	51697	PIN, LID HINGE .....	1
35	49895	PLATE, CAM GUIDE (R.H.).....	1
36	49963	PLATE SHIM ASSEMBLY (R.H.).....	1
37	SC01-146	SCREW, 1/4-20 x 3/4 HEX HD SS .....	2
38	52477	LIFT, LID.....	1
√ 39	35465	CAM SLIDE FILLER.....	2
41	SC01-195	SCREW, 8-32 x 1-7/16 PH FHD S .....	12
42	OR01-005	O-RING, 5/16 x 1/16 DIA. ....	12
43	LW01-002	LOCKWASHER, SPLIT RING 1/4 S .....	12
44	NS01-008	NUT, 8-32 HEX .....	12
45	72379	ASSY - REBUILT LID.....	1

√ recommended parts

\* not shown

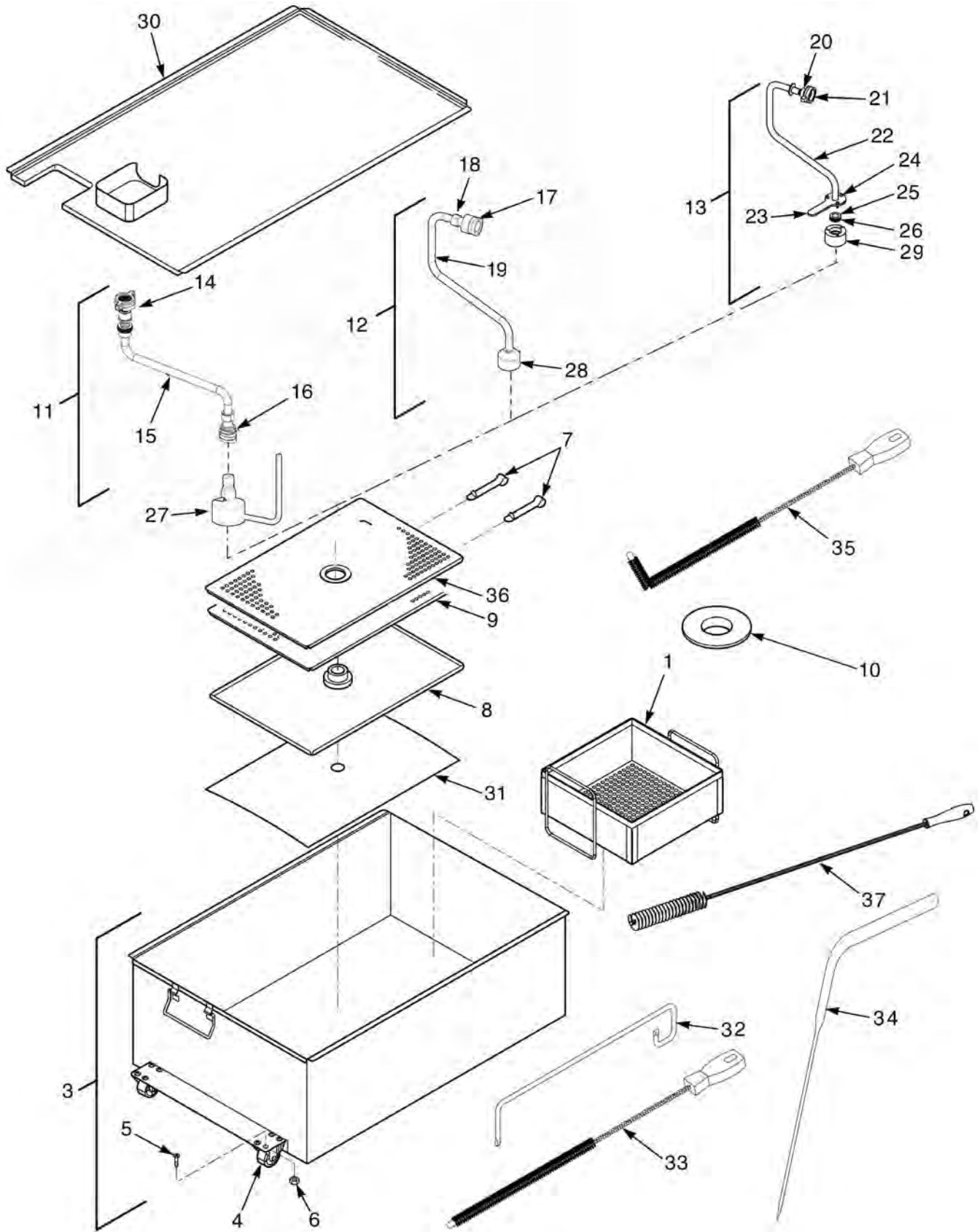
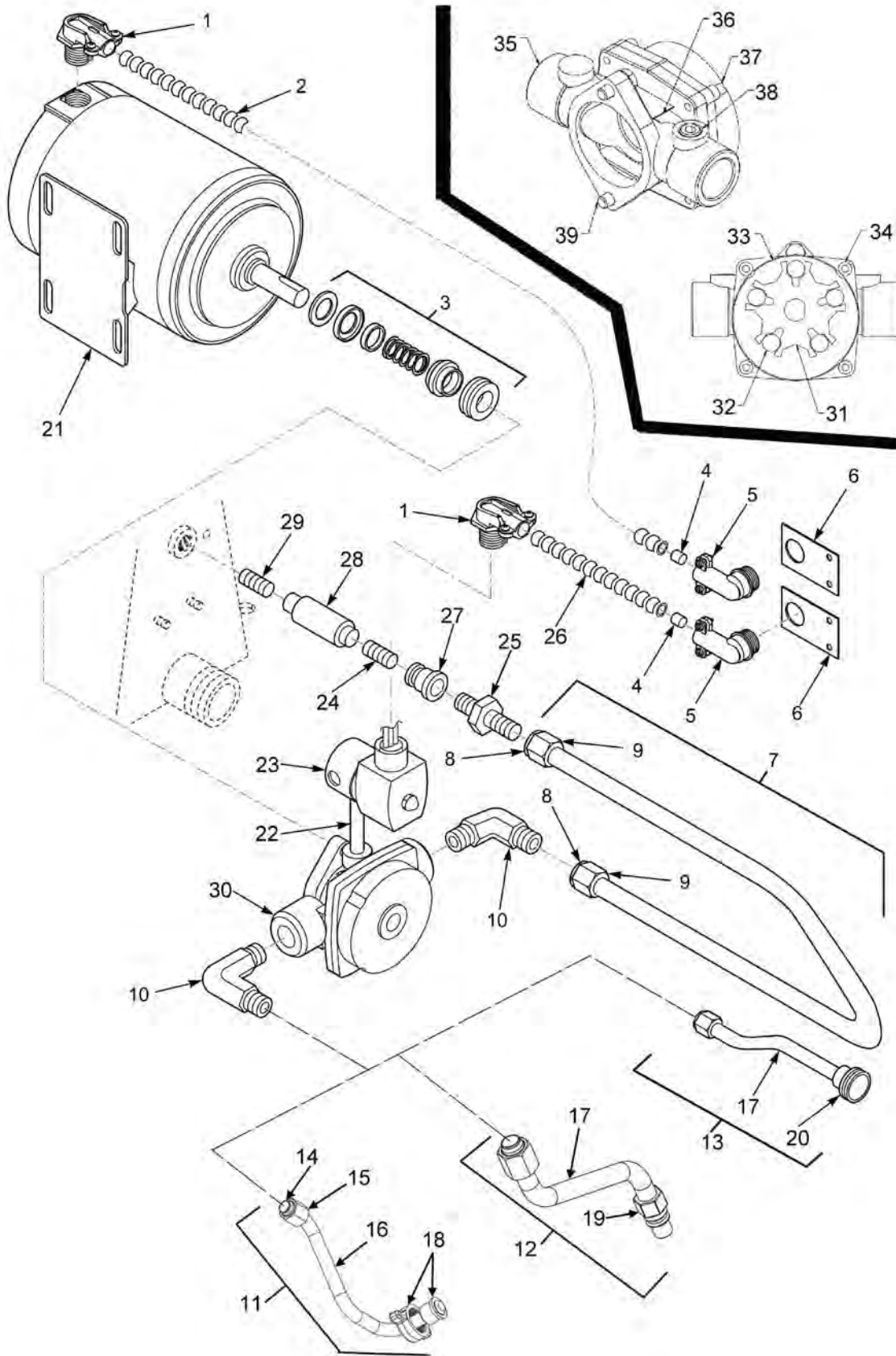


FIGURE 3-7. DRAIN PAN & FILTER ASSEMBLY

Figure & Item No.	Part No.	Description	Qty.
3-7		DRAIN PAN & FILTER ASSEMBLY	
1	52194	CRUMB CATCHER (OPTIONAL) (REQUIRES ITEM 10).....	1
2*	03204	CRUMB CATCHER BASKET W/HANDLE (OPTIONAL)..... (FITS INSIDE FRYPOT)	1
2*	21010	. "COLD ZONE" CRUMB CATCHER BASKET ASSEMBLY ..	1
2*	24429	. HANDLE - CRUMB BASKET .....	1
3	52496	FILTER DRAIN PAN ASSEMBLY .....	1
4	52487	. CASTER .....	2
5	SC01-009	. SCREW 1/4-20 X 1/2.....	8
6	NS02-002	. NUT 1/4-20 .....	8
7	17505	FILTER CLIPS.....	2
8	17503 (use 14671)	BOTTOM FILTER SCREEN (SN: KH031JJ AND BELOW).....	1
8	17503 (use 14674)	BOTTOM FILTER SCREEN (SN: KH032JJ TO AP0503043).....	1
8	65447	BOTTOM FILTER SCREEN (SN: AP0503044 AND ABOVE)...	1
9	No Longer Available	TOP FILTER SCREEN (SN: KH031JJ AND BELOW) .....	1
10	36305	WASHER, STANDPIPE (USE WITH ITEM 1).....	1
11	55876	STANDPIPE ASSEMBLY (S/N KH031JJ & BELOW).....	1
12	62081	STANDPIPE ASSEMBLY (S/N KH032JJ to AH085JB) .....	1
13	24212	STANDPIPE ASSEMBLY (S/N AH086JB to AP0503043) .....	1
13	14658	STANDPIPE ASSEMBLY (S/N AP0503044 AND ABOVE) .....	1
14	69289	. FILTER UNION ASSEMBLY (S/N KH031JJ & BELOW).....	1
15	51799	. FILTER DRAIN LINE (S/N KH031JJ & BELOW).....	1
16	55507	. DISCONNECT-FEMALE (S/N KH031JJ & BELOW) .....	1
17	35396	. CAP-FILTER NOZZLE (S/N KH032JJ to AH085JB) .....	1
18	17333	. RH-DISCONNECT FEMALE (S/N KH032JJ to AH085JB).....	1
19	62010	. TUBE-FILTER TO DISCONN. (S/N KH032JJ to AH085JB) ...	1
√ 20	17431 (use 69289)	. UNION - MALE FITTING .....	1
√ 21	17432 (use 69289)	. UNION - HANDLE FITTING.....	1
22	24211	. WELDMENT, FILTER TUBE AND WASHER.....	1
23	23740	. HANDLE, STANDPIPE 8 HEAD .....	1
24	SC01-245	. SCREW 10-32 X 1/2.....	3
25	23804	. INSERT, FILTER NUT .....	1
26	OR01-007	. O-RING, FILTER NUT INSERT.....	1
27	55877	. FILTER NUT (S/N KH031JJ & BELOW) .....	1
	28 65208	. FILTER NUT - (S/N KH032JJ to AH085JB) .....	1
29	23803	. FILTER NUT - (S/N AH086JB to AP0503043) .....	1
29	66535	. FILTER NUT - SS (S/N AP0503044 & ABOVE) .....	1
30	62082	FILTER DRAIN PAN COVER ASSEMBLY .....	1
√ 31	12102	FILTER ENVELOPE PAPER (100 PER CARTON).....	1
32	52209	ROD - CLEAN OUT .....	1
√ 33	52208	BRUSH - 24 IN (61 CM).....	1
34	35310	STIRRER .....	1
√ 35	12126	BLACK L-BRUSH .....	1
36	65211	CRUMB CATCHER .....	1
37	35771	BRUSH - CLEAN-OUT - 35 IN. (89 CM).....	1

√ recommended parts

\* not shown

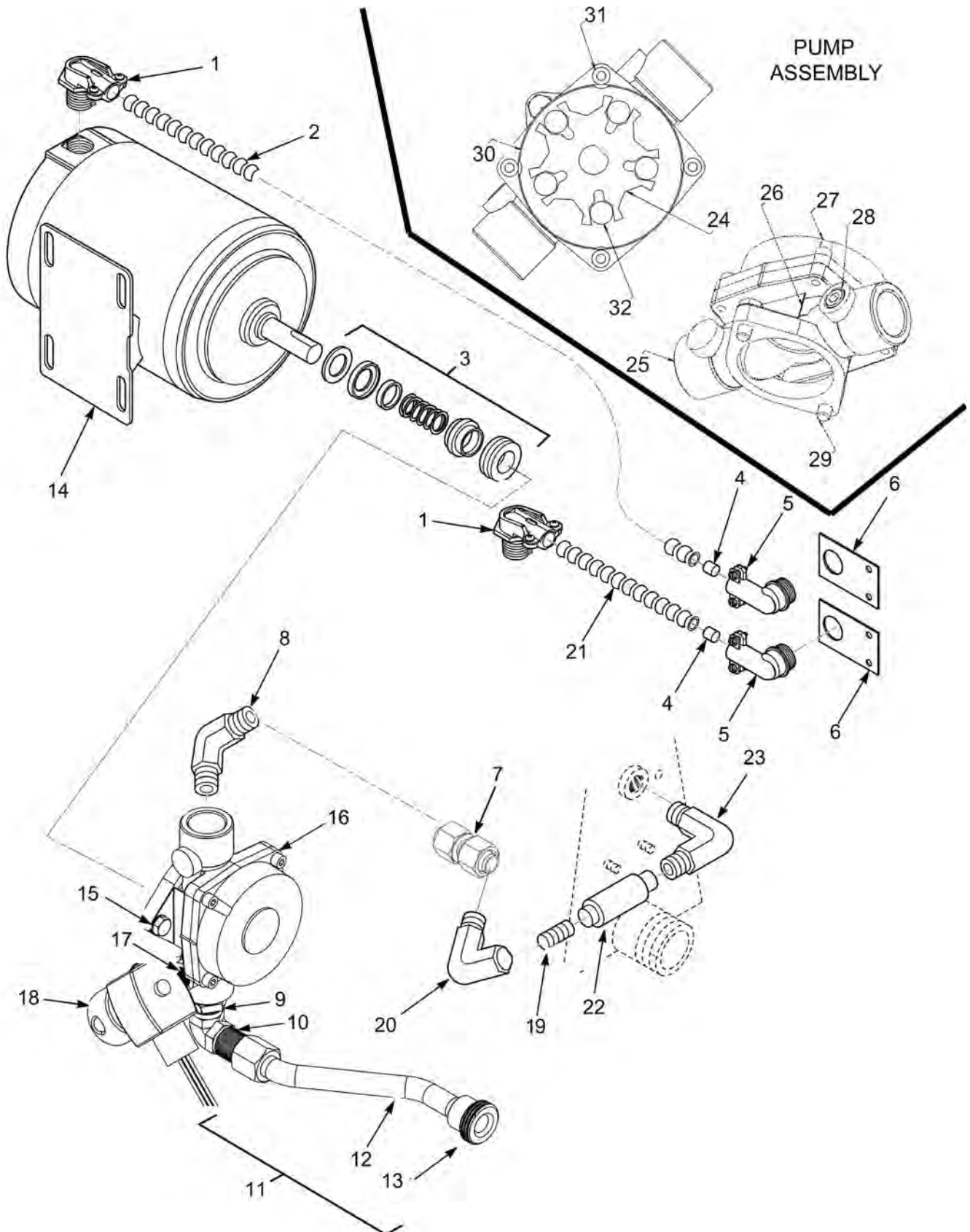


**FIGURE 3-8A. FILTER PUMP ASSEMBLY (SN: LH028JC & BELOW)**

Figure & Item No.	Part No.	Description	Qty.
3-8A		FILTER PUMP ASSEMBLY (SN: LH028JC & BELOW)	
1	18107	CONDUIT CONNECTOR 3/8 X 90.....	2
2	54484	BLOWER/PUMP – FLEXIBLE CONDUIT.....	1
√ 3	17476	PUMP SEAL KIT .....	1
4	18105	ANTI SHORT 3/8 INCH .....	2
5	18644	CONDUIT CONNECTOR 3/8 X 90 .....	2
6	51831	PUMP CONDUIT BRACKET .....	2
7	55757	ASSY – OIL RETURN LINE.....	1
8	16808	. SLEEVE, FITTING .....	2
9	16809	. NUT, FITTING .....	2
10	17407	CONNECTOR, 1/2 MALE ELBOW .....	2
11	55435	TUBE ASSY – DISCON. TO PUMP (S/N KH031JJ & LOWER) ...	1
12	62009	TUBE ASSY – DISCON. TO PUMP (S/N KH032JJ to AH086JB)..	1
13	24225	TUBE ASSY – DISCON. TO PUMP (S/N AH086JB to AP0401001)	1
14	16808	. SLEEVE, FITTING .....	1
15	16809	. NUT, FITTING .....	1
16	55434	. TUBING, DISCONNECT TO PUMP (S/N KH031JJ & LOWER)	1
17	66676	. TUBING, DISCONNECT TO PUMP (S/N KH032JJ to AP0401001)	1
18	69289	. FILTER UNION ASSEMBLY (S/N KH031JJ & LOWER).....	1
19	17334	. RH-DISCONNECT MALE (S/N KH032JJ to AH086JB) .....	1
√ 20	17430 (use 69289)	. UNION, MALE FITTING (S/N AH086JB to AP0401001).....	1
√ 21	67583	MOTOR – FILTER PUMP - 1/2 HP.....	1
22	62050	NIPPLE 1/4 NPT X 2.0 .....	1
√ 23	52125	AIR-SOLENOID VALVE 120V.....	1
√ 23	54908	AIR-SOLENOID VALVE 240V.....	1
24	FP02-024	NIPPLE 3/8 CLOSE .....	1
25	16807	FITTING, CONNECTOR, MALE .....	1
26	54486	AIR VALVE – FLEXIBLE CONDUIT .....	1
27	FP01-122	REDUCER 3/8 TO 1/2 .....	1
√ 28	35472	CHECK VALVE – PRESSURE .....	1
29	FP02-007	NIPPLE 3/8 X 1-1/2 .....	1
30	17437	PUMP SUBASSY 5 GPM .....	1
√ 31	17447	ROTOR - PUMP.....	1
√ 32	17446	ROLLER - TEFLON SET .....	1
√ 33	17453	PUMP O RING GASKET .....	1
√ 34	SC01-132	1/4-20 X 5/8 SOC HD CAP SCREW .....	4
√ 35	17454	BODY - PUMP .....	1
√ 36	17456	PUMP SHIELD .....	2
√ 37	17451	COVER - PUMP.....	1
√ 38	FP01-020	PLUG 1/4 HEX COUNTERSUNK.....	1
39	SC01-026	SCREW 5/16-18 X 3/4 HEX HD C.....	2
40*	85777	1/2” PUMP AND MOTOR (Includes Items 3, 21, and 30).....	1

√ recommended parts

\* not shown



**FIGURE 3-8B. FILTER PUMP ASSEMBLY (SN: LH029JC & ABOVE)**

Figure & Item No.	Part No.	Description	Qty.
3-8B		FILTER PUMP ASSEMBLY (SN: LH029JC & ABOVE)	
1	18107	CONDUIT CONNECTOR 3/8 X 90 .....	2
2	54484	BLOWER/PUMP – FLEXIBLE CONDUIT .....	1
√ 3	17476	PUMP SEAL KIT.....	1
4	18105	ANTI SHORT 3/8 INCH .....	2
5	18644	CONDUIT CONNECTOR 3/8 X 90 .....	2
6	51831	PUMP CONDUIT BRACKET .....	2
7	65080	ASSY – PUMP TO CHECK VLV TUBE-390/690.....	1
8	FP01-169	CON - 90 MALE 3/4 TUBE 3/4 NPT.....	1
9	FP01-089	BUSHING - REDUCING - 3/4M TO 1/2.....	1
10	17407	CONNECTOR, 1/2 MALE ELBOW.....	1
11	66574	ASSY – DISCON. TO PUMP .....	1
12	65079	. ASSY – DISCON. TO PUMP TUBE.....	1
√ 13	17430(use69289)	. UNION, MALE FITTING.....	1
√ 14	67583	MOTOR – 1/2 HP FILTER PUMP .....	1
15	LW02-014	LOCKWASHER - 5/16 INT STAR .....	2
16	64218	ASSY - FILTER PUMP 8 GPM.....	1
17	62050	NIPPLE 1/4 NPT X 2.0.....	1
√ 18	52125	AIR-SOLENOID VALVE 120V .....	1
√ 18	54908	AIR-SOLENOID VALVE 240V .....	1
19	FP02-037	NIPPLE 3/4 X 2.5 LG BI.....	1
20	FP01-168	CON - 90 FEMALE 3/4 TUBE 3/4 NF .....	1
21	54486	AIR VALVE – FLEXIBLE CONDUIT .....	1
√ 22	21800	VALVE - 3/4 CHECK .....	1
23	FP01-173	ELBOW - 3/4 NPT X 90 MALE NICKEL.....	1
24*	69355	3/4” PUMP AND MOTOR ASSY (Includes items 3, 14, & 16) ...	1

√ recommended parts

\* not shown

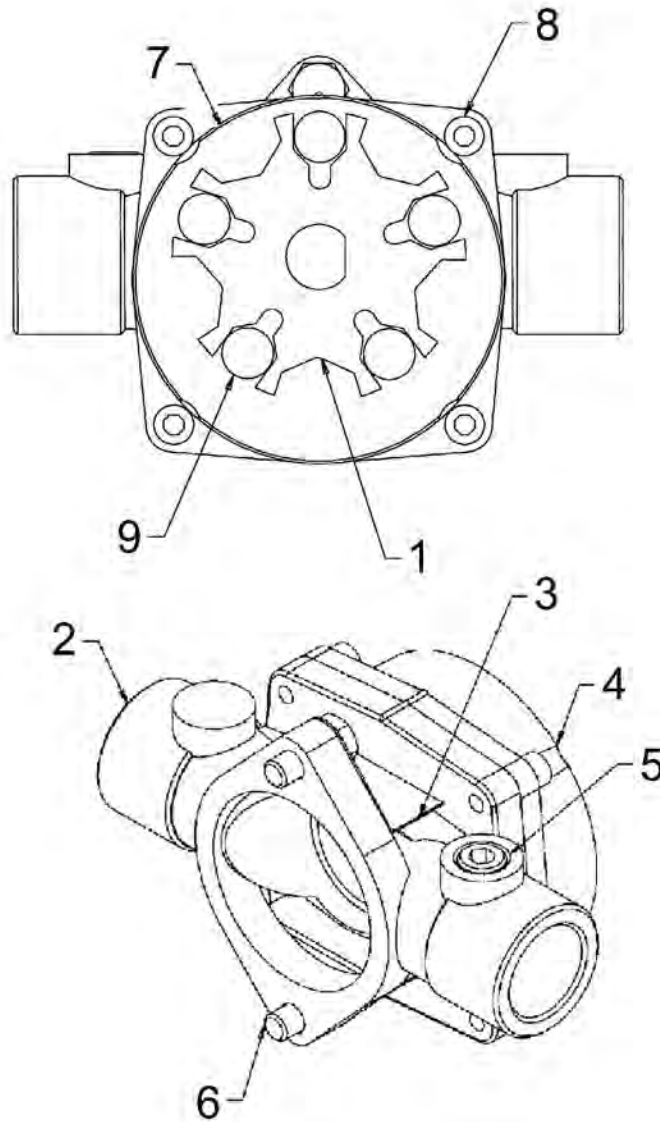
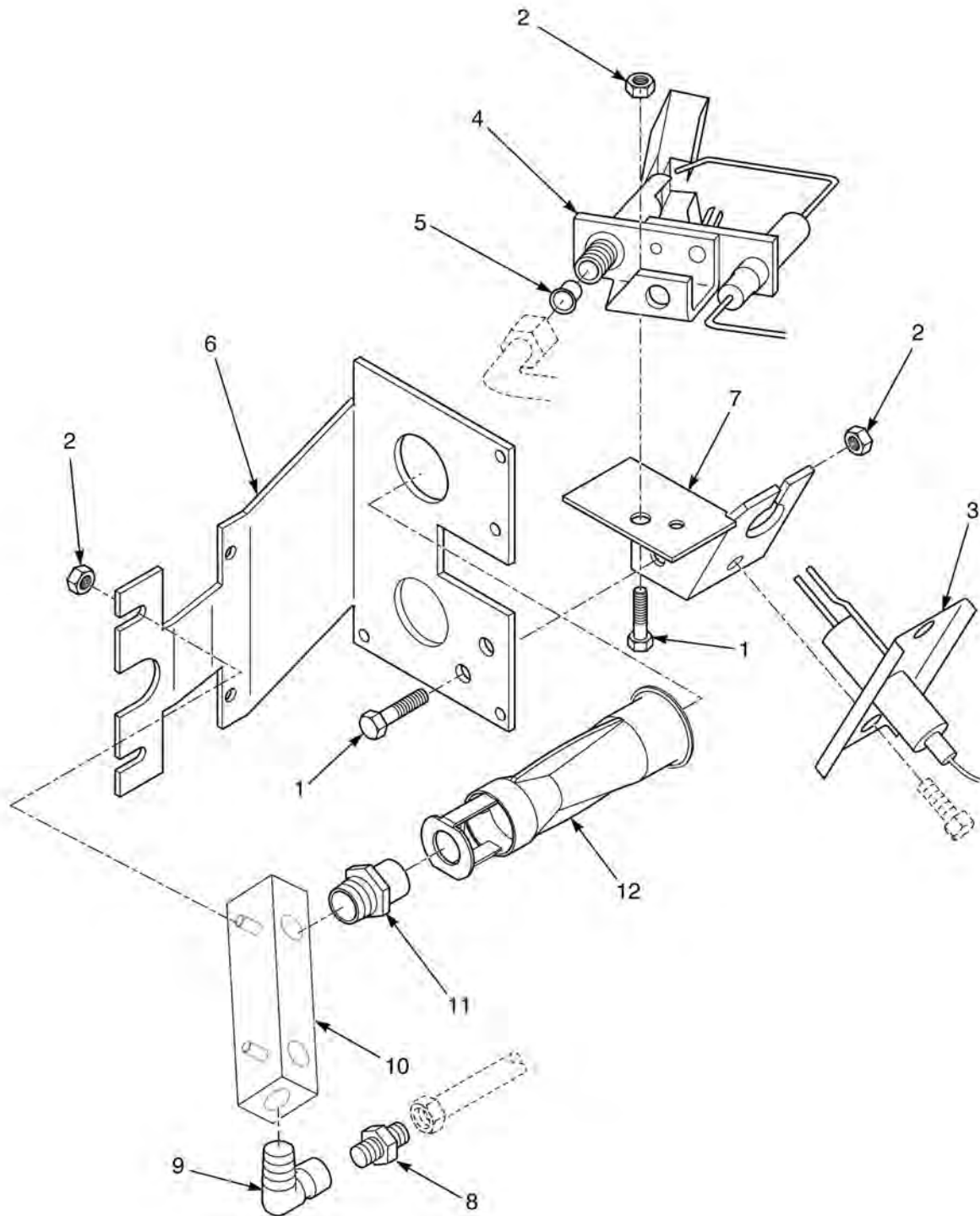


Figure & Item No.	Part No.	Description	Qty.
3-9	64218	FILTER PUMP ASSEMBLY	
		PUMP SUBASSY 8GPM	
√ 1	23468	ROTOR - 8 GPM PUMP .....	1
√ 2	23467	BODY - 8 GPM PUMP .....	1
√ 3	17456	PUMP SHIELD .....	2
√ 4	23470	CAP - 8 GPM PUMP .....	1
√ 5	FP01-020	PLUG 1/4-18 HEX LEVEL SEAL.....	1
√ 6	SC01-026	SCREW 5/16-18 X 3/4 HEX HD C.....	2
√ 7	17453	PUMP O RING GASKET .....	1
√ 8	SC01-132	1/4-20 X 5/8 SOC HD CAP SCREW .....	4
√ 9	23469	ROLLER - 8 GPM PUMP .....	5

√ recommended parts



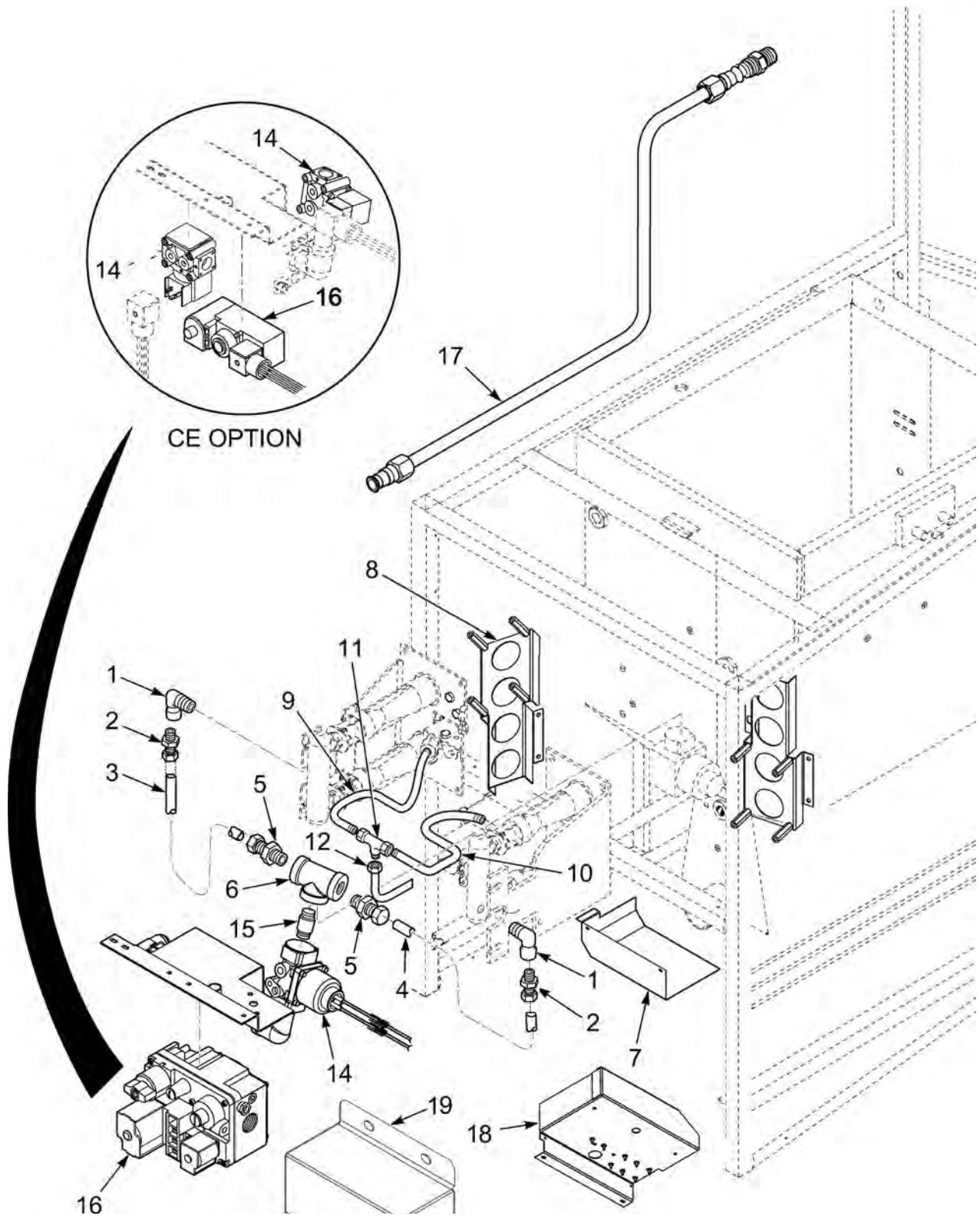


**FIGURE 3-10. GAS BURNER ASSEMBLY**

Figure & Item No.	Part No.	Description	Qty.
3-10		GAS BURNER ASSEMBLY	
0	56990-01*	BURNER ASSY – NATURAL .....	2
0	56990-02*	BURNER ASSY – LP .....	2
0	56990-03*	BURNER ASSY – NATURAL CE .....	2
0	56990-04*	BURNER ASSY – LP CE .....	2
0	56990-05*	BURNER ASSY – PROPANE/BUTANE MIX .....	2
0	56990-07*	BURNER ASSY – NATURAL JAPAN .....	2
0	56990-06*	BURNER ASSY – LP/BUTANE MIX 70% PRO 30% BU .....	2
1	SC01-084	. SCREW #10-32 X 3/8 HEX HD S .....	8
2	NS02-001	. NUT HEX KEPS #10-32 C.....	8
√ 3	52074	. FLAME SENSOR.....	2
√ 4	52075	. PILOT & IGNITOR ASSY – NATURAL.....	2
√ 4	21333	. PILOT & IGNITOR ASSY – LP.....	2
5	54877	. . ORIFICE, PILOT – NATURAL, CE NATURAL.....	2
5	60614	. . ORIFICE, PILOT – LP, CE LP, PROPANE, BUTANE MIX..	2
6	51735	. BURNER MOUNTING BRACKET .....	2
7	56708	. PILOT/FLAME SENSOR BRACKET.....	2
8	FP05-010	. CONNECTOR, 3/8 TUBE TO 1/4 NPT .....	2
9	FP01-117	. STREET ELBOW, 1/4 NPT B.I. ....	2
10	14852	. KIT - GAS MANIFOLD (REPLACES ROUND MANIFOLD)	2
10	69919	. . GAS MANIFOLD.....	2
11	51725	. ORIFICE, BURNER – NATURAL .....	2
11	51730	. ORIFICE, BURNER – LP .....	2
11	55452	. ORIFICE, BURNER – CE NATURAL .....	2
11	55453	. ORIFICE, BURNER – CE LP .....	2
11	56219	. ORIFICE, BURNER – PROPANE/BUTANE MIX .....	2
11	40905	. ORIFICE, BURNER – LP BUTANE MIX 70% PRO 30% BU.	2
11	56637	. ORIFICE, BURNER – NATURAL JAPAN .....	2
12	52066	. BURNER INSHOT.....	4
13*	14221	. CONVERSION KIT – LP. TO NAT. ....	1
13*	14222	. CONVERSION KIT – NAT. TO LP. ....	1
13*	14269	. CONVERSION KIT – LP. TO NAT.-JAPAN .....	1
13*	14321	. CONVERSION KIT – LP. TO NAT.-CE .....	1
13*	14322	. CONVERSION KIT – NAT. TO LP.-CE .....	1
14*	54902	WIRE GUARD - BURNER - BELOW S/N HH001JJ .....	2

√ recommended parts

\* not shown



**FIGURE 3-11. GAS PIPING & CONTROLS**

Figure & Item No.	Part No.	Description	Qty.
3-11		GAS PIPING & CONTROLS	
1	FP01-117	ELBOW .....	2
2	FP05-010	FITTING 3/8 TUBE TO 1/4 NP.....	2
3	65173	MANIFOLD TUBE – LEFT .....	1
4	65173	MANIFOLD TUBE – RIGHT.....	1
5	FP01-115	NIPPLE – 3/8 to 1/2 NP. ....	2
6	FP01-112	1/2 NPT FEMALE PIPE TEE B.I. ....	1
7	54875	MODULE COVER .....	1
8	52785	BURNER SHIELDASSY.....	2
	68536	BURNER SHIELD STUD ASSY.....	2
	51731	STANDOFF-BURNER .....	8
9	69441	PILOT TUBE – LEFT BURNER.....	1
10	69442	PILOT TUBE – RIGHT BURNER.....	1
11	FP05-011	TEE – 1/4 X 1/4 X 1/4 BR COMPR .....	1
12	69442	PILOT TUBE – VALVE TO TEE .....	1
13*	21452	GAS VALVE ASSY 24V – CE – NATURAL GAS .....	1
13*	21453	GAS VALVE ASSY 24V – CE – LP GAS .....	1
√ 14	38468	. SOLENOID GAS VALVE – 24V 60 HZ (S/N IH024JJ & HIGHER) – NON CE .....	1
√ 14	34802	. SOLENOID GAS VALVE – 24V 50 HZ (S/N IH024JJ & HIGHER) – CE.....	2
15	FP01-028	. NIPPLE, CLOSE 1/2 NPT SS 1L.....	1
√ 16	80761	. COMBINATION GAS VALVE – NAT.- (S/N: AP0907006 & ABOVE)-NON CE (USED IN 52476).....	1
√ 16	80858	. COMBINATION GAS VALVE – LP.- (S/N: AP0907006 & ABOVE)NON CE .....	1
√ 16	140056	KIT, GAS VALVE, NAT/LP.- NON CE (S/N: AP0907005 AND BELOW) (KIT DOES NOT INCLUDE 38468 SOLENOID GAS VALVE) .....	1
16	140042	KIT, GAS VALVE, NAT/LP.- NON CE (S/N: AP0907005 AND BELOW) (KIT INCLUDES 38468 SOLENOID GAS VALVE) ..	1
√ 16	21451	. COMBINATION GAS VALVE – CE (USED IN 21452).....	1
√ 16	21450	. COMBINATION GAS VALVE – CE (USED IN 21453).....	1
17	52122	MAIN GAS SUPPLY LINE ASSY .....	1
17	76333	MAIN GAS SUPPLY LINE ASSY - CE.....	1
18	59189	STUD ASSY - MODULE ENCLOSURE.....	1
19	51741	WIRE COVER - GAS VALVE .....	1
19	21343	WIRE COVER - GAS VALVE - CE.....	1
20*	FP01-200	FITTING - GAS INLET BSPT - CE.....	1

√ recommended parts

\* not shown

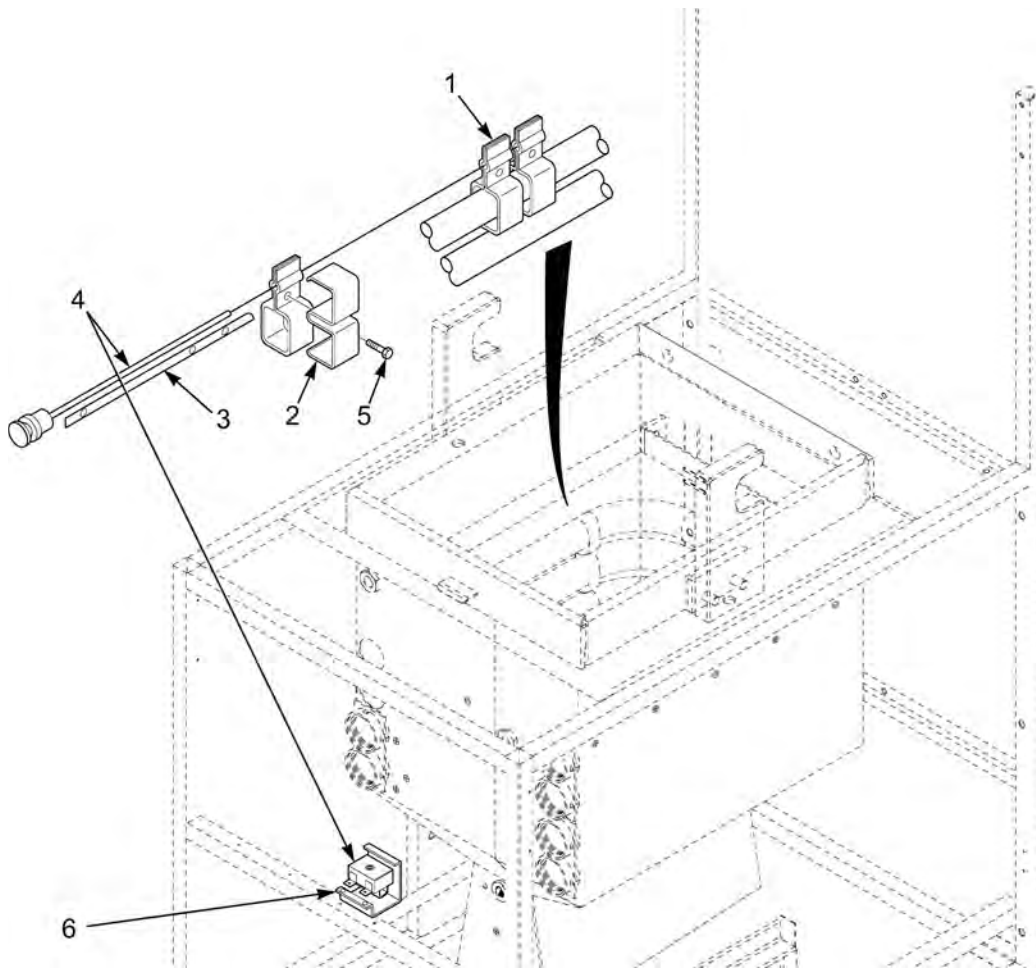


Figure & Item No.	Part No.	Description	Qty.
3-12		BURNER TUBES	
1	54480	BRACKET ASSY – HIGH LIMIT SENSING BULB.....	3
2	62051	CLIP – SPREADER – HEAT TUBE .....	6
3	53670	SPACER – HIGH LIMIT .....	1
√ 4	16738	450 HIGH LIMIT – NON CE.....	1
√ 4	60241	425 HIGH LIMIT – CE.....	1
5	SC01-211	SCREW #10-32 X 1/2 IND HEX HD S.S. ....	3
6	17216	BRACKET ASSY – HIGH LIMIT .....	1
7*	16268	THERMOCOUPLE FITTING - POT (for High Limit).....	1

√ recommended parts

\* not shown

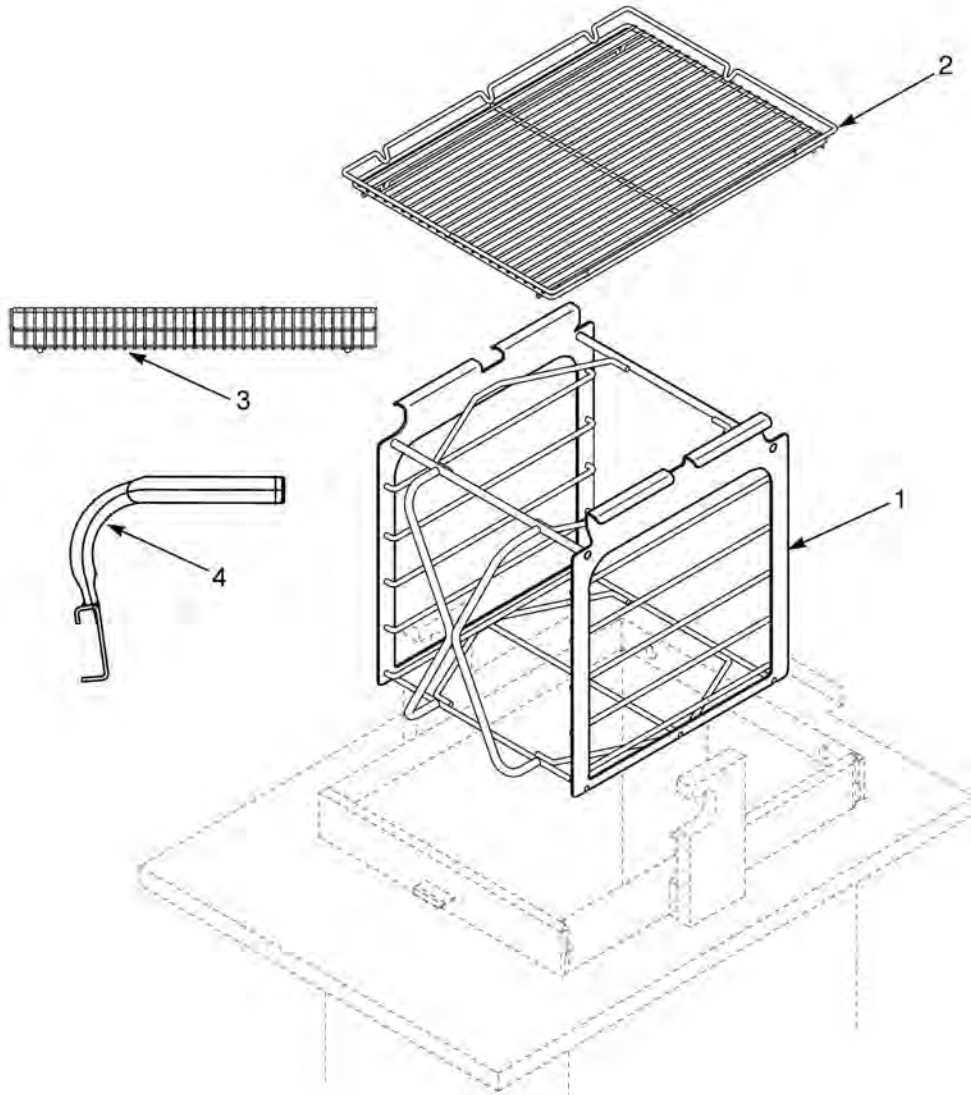


Figure & Item No.	Part No.	Description	Qty.
3-13		CARRIER AND RACKS	
1	62183	CARRIER ASSY .....	1
2	44782	RACK HALF SIZE - 8 HEAD FRYER .....	1
2	67461	RACK HALF SIZE - COATED .....	5
3	36404	WIRE BASKET - GM 8 HEAD .....	4
4	36374	ASSY - BASKET HANDLE WELD.....	1

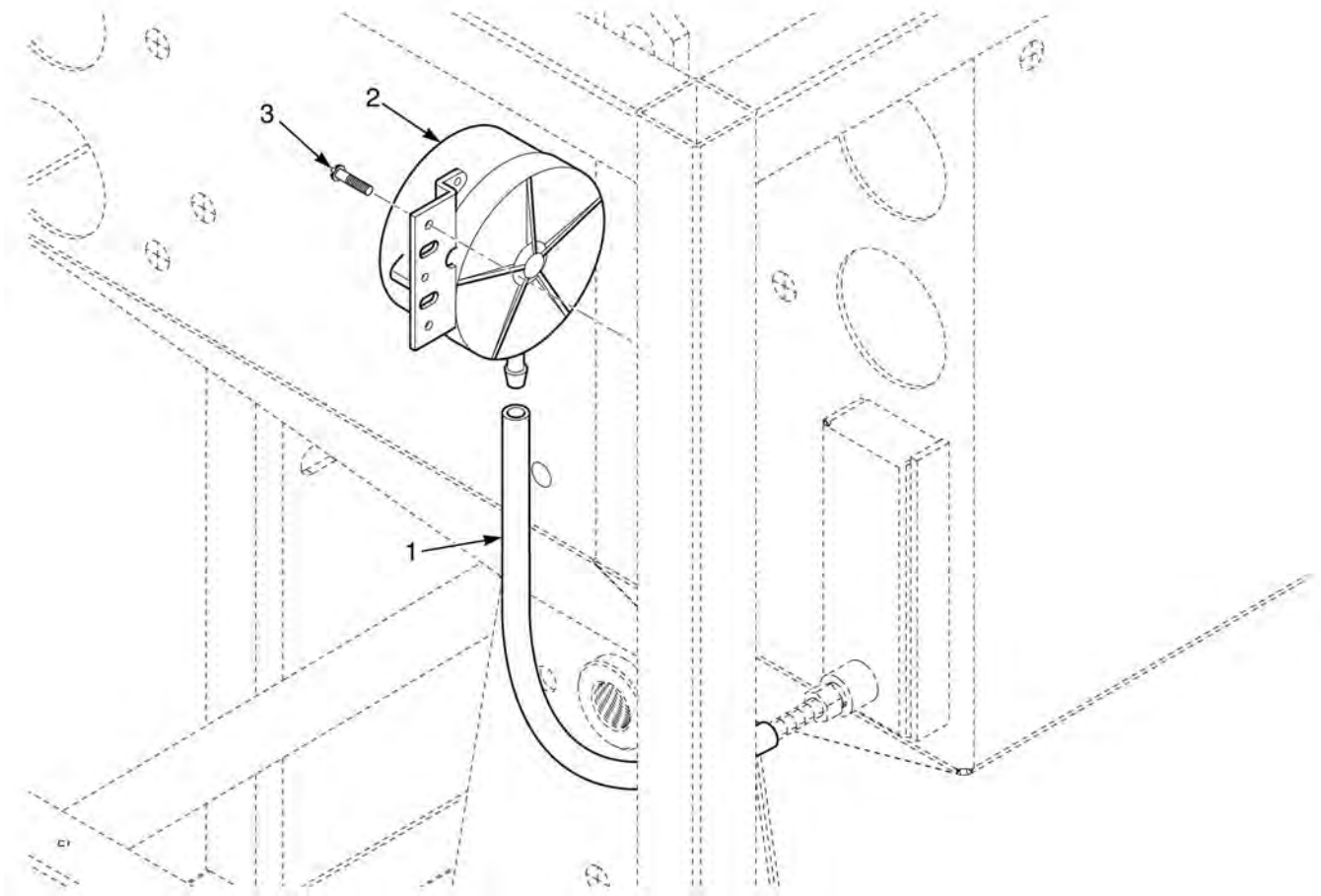
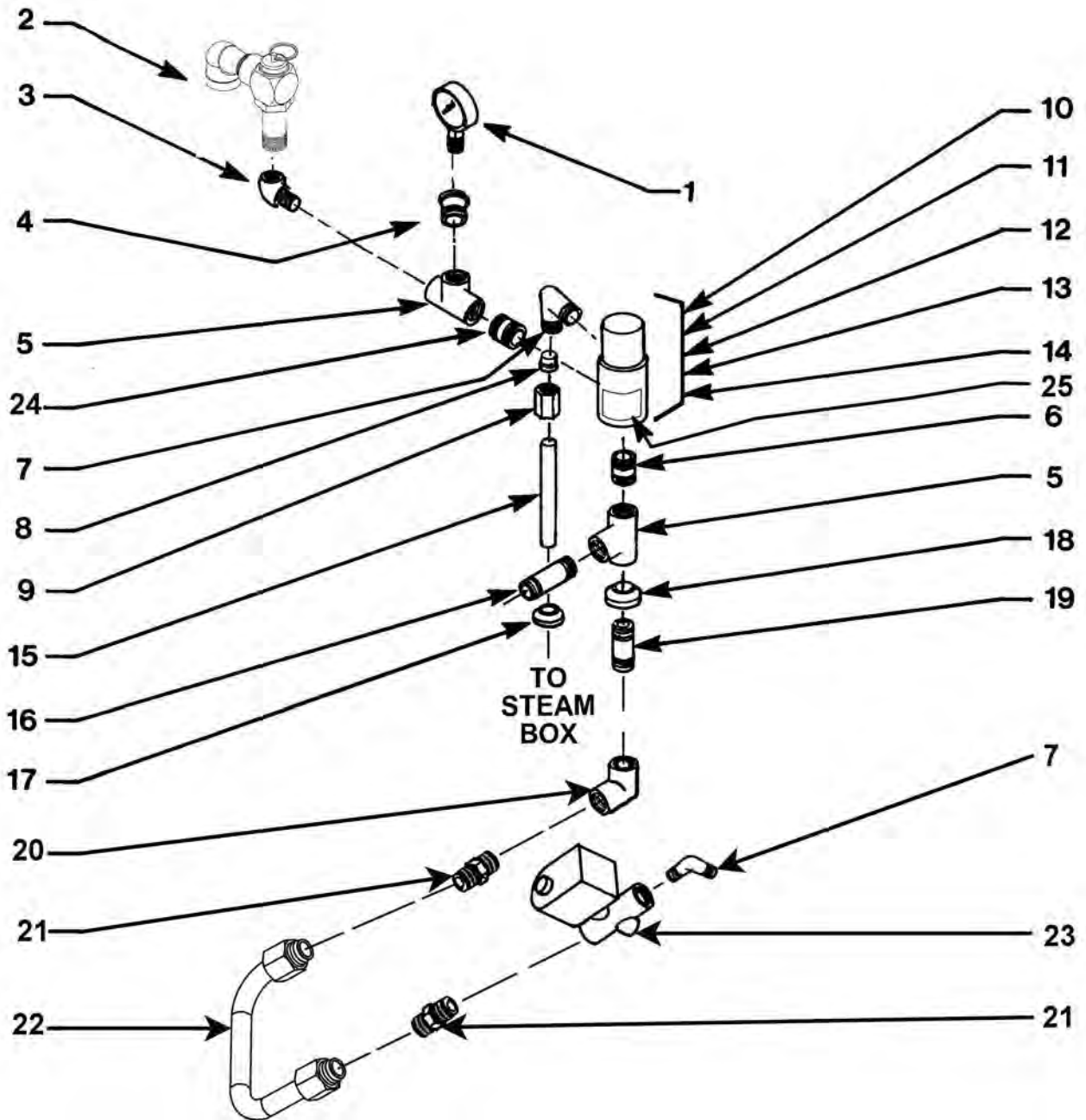


Figure & Item No.	Part No.	Description	Qty.
3-14		VACUUM SWITCH	
1	60202	TUBE-VACUUM SWITCH .....	1
√ 2	14240	KIT, VACUUM SWITCH – VERTICAL.....	1
√ 2	72514	• VACUUM SWITCH-VERTICAL.....	1
3	SC03-005	• SCREW.....	3

√ recommended parts  
\* not shown



**FIGURE 3-15. DEADWEIGHT & SOLENOID ASSY**  
(SN: AP0802029 & ABOVE)



<b>Figure &amp; Item No.</b>	<b>Part No.</b>	<b>Description</b>	<b>Qty.</b>
3-15		DEADWEIGHT & SOLENOID ASSY (SN: AP0802029 & ABOVE)	
√ 1	16910	PRESSURE GAUGE.....	1
√ 2	59742	RELIEF VALVE ASSY .....	1
3	FP01-127	ELBOW, STREET, ½ X ½, 90 DEGREE .....	1
4	FP01-063	REDUCER, ½ NPT M TO ¼ NPT F.....	1
5	FP01-011	PIPE TEE, ½ NPT 304 SS.....	2
6	FP01-028	NIPPLE, CLOSE ½ NPT.....	2
7	17407	CONNECTOR, ½ MALE ELBOW .....	3
8	16817	FITTING, SLEEVE TEFLON.....	As Required
9	16809	NUT FITTING.....	As Required
10	56307	CAP, DEAD WEIGHT .....	1
11	16902	SEAL "O" RING .....	1
12	16903	DEADWEIGHT - 12 PSI .....	1
12	65449	DEADWEIGHT - 3 PSI .....	1
12	32729	DEADWEIGHT - 7 PSI .....	1
13	16918	ORIFICE, 12 PSI.....	1
14	56305	BODY, VALVE.....	1
15	35686	TUBE, DW TO EXHAUST STACK.....	1
16	35817	PIPE NIPPLE, ½ X 2 ¼ SS .....	1
17	16804	UMBRELLA GROMMET .....	1
18	35200	UMBRELLA GROMMET .....	1
19	35474	PIPE NIPPLE, ½ X 2.....	1
20	FP01-080	COUPLING, ½ NPT SS .....	1
21	16807	FITTING CONNECTOR, MALE.....	1
22	70475	TUBE, CONDENSATION.....	1
23	17121	VALVE, SOLENOID 120V, 60 Hz.....	1
23	18721	VALVE, SOLENOID 208-240V, 60 Hz .....	1
23	18724	VALVE, SOLENOID 208-240V, 50 Hz .....	1
24	35856	NIPPLE, 1-1/8", SHORT, HOSPITAL.....	1
25	16912	DECAL-DEADWEIGHT ASSEMBLY .....	1

√ recommended parts

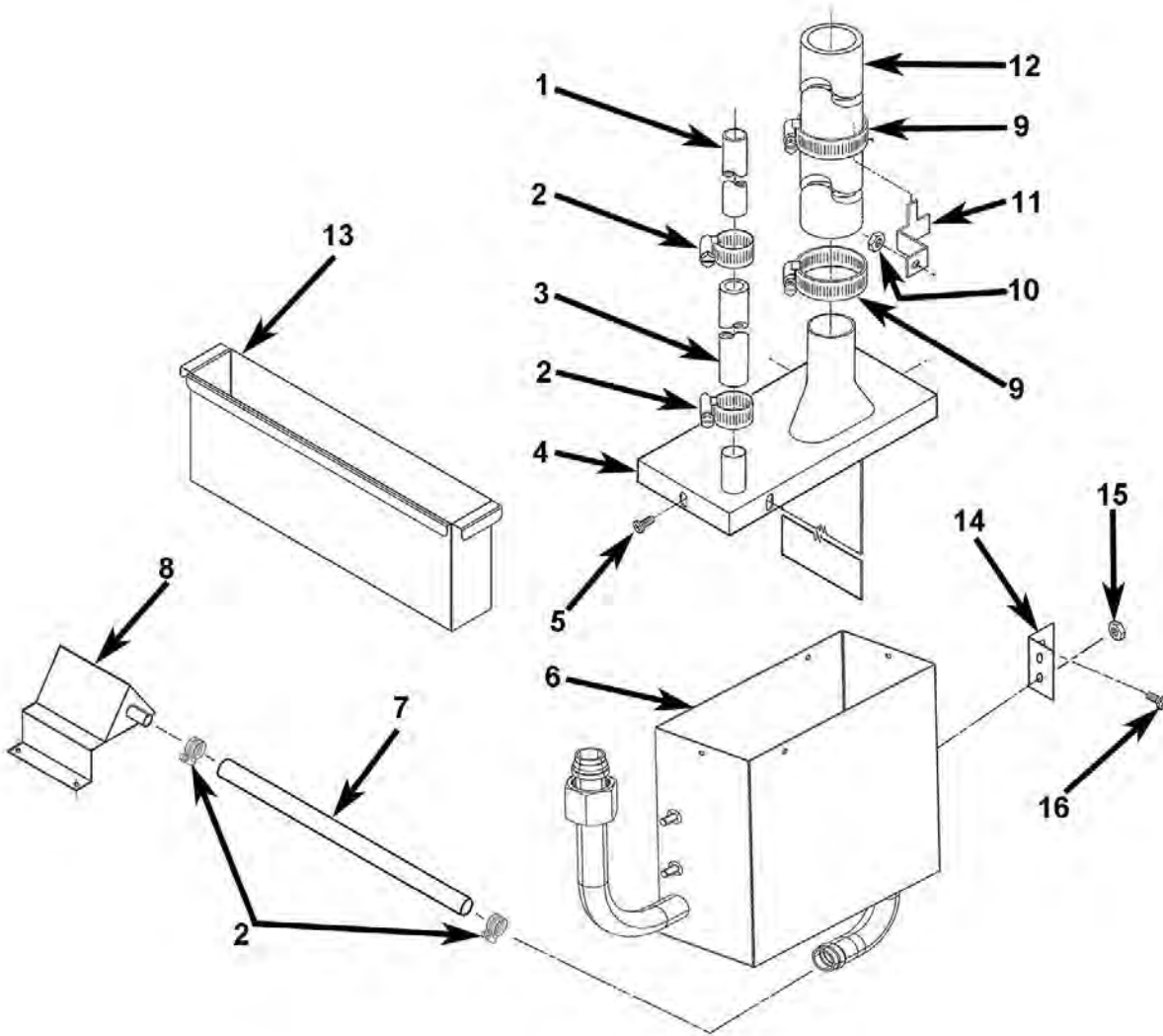
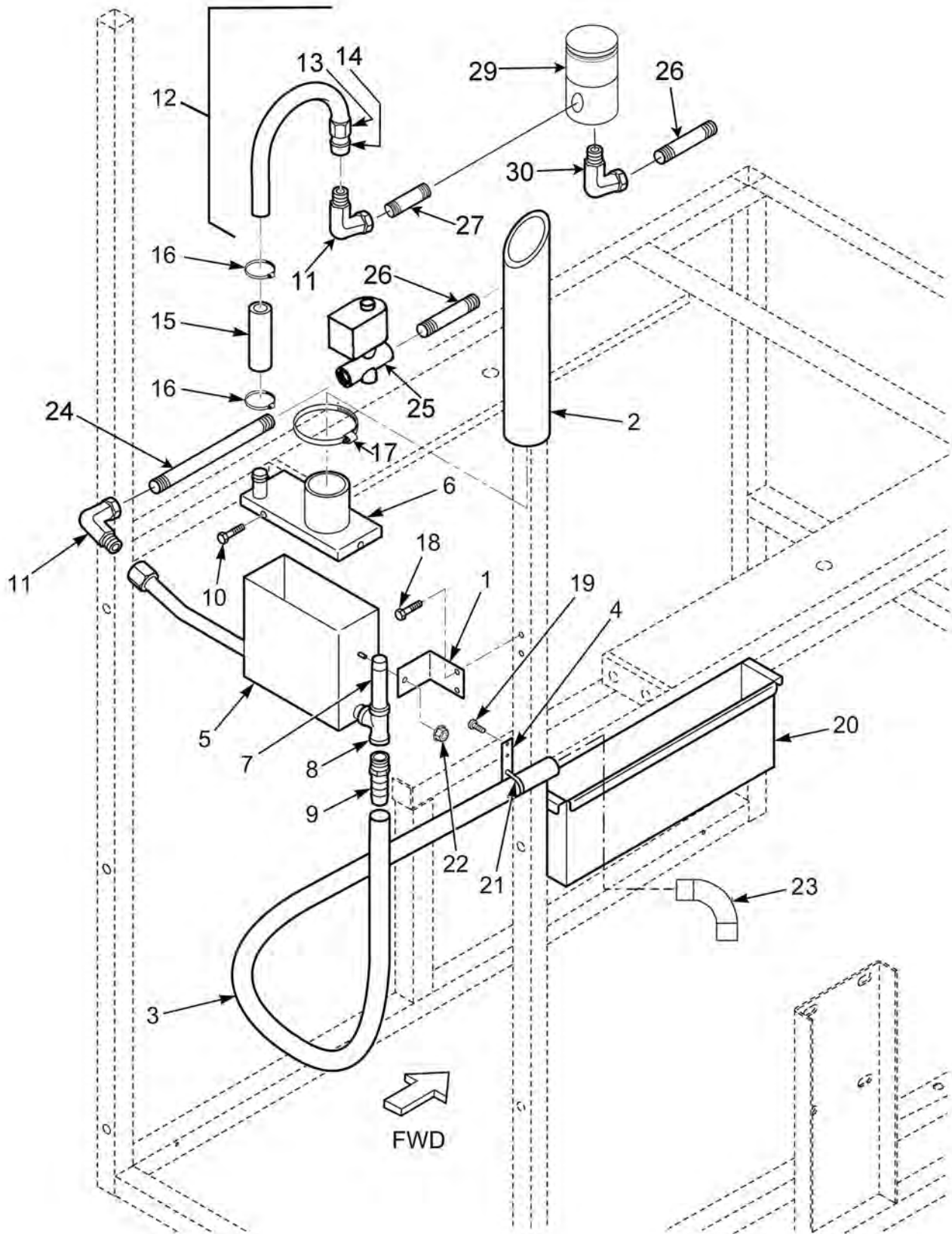


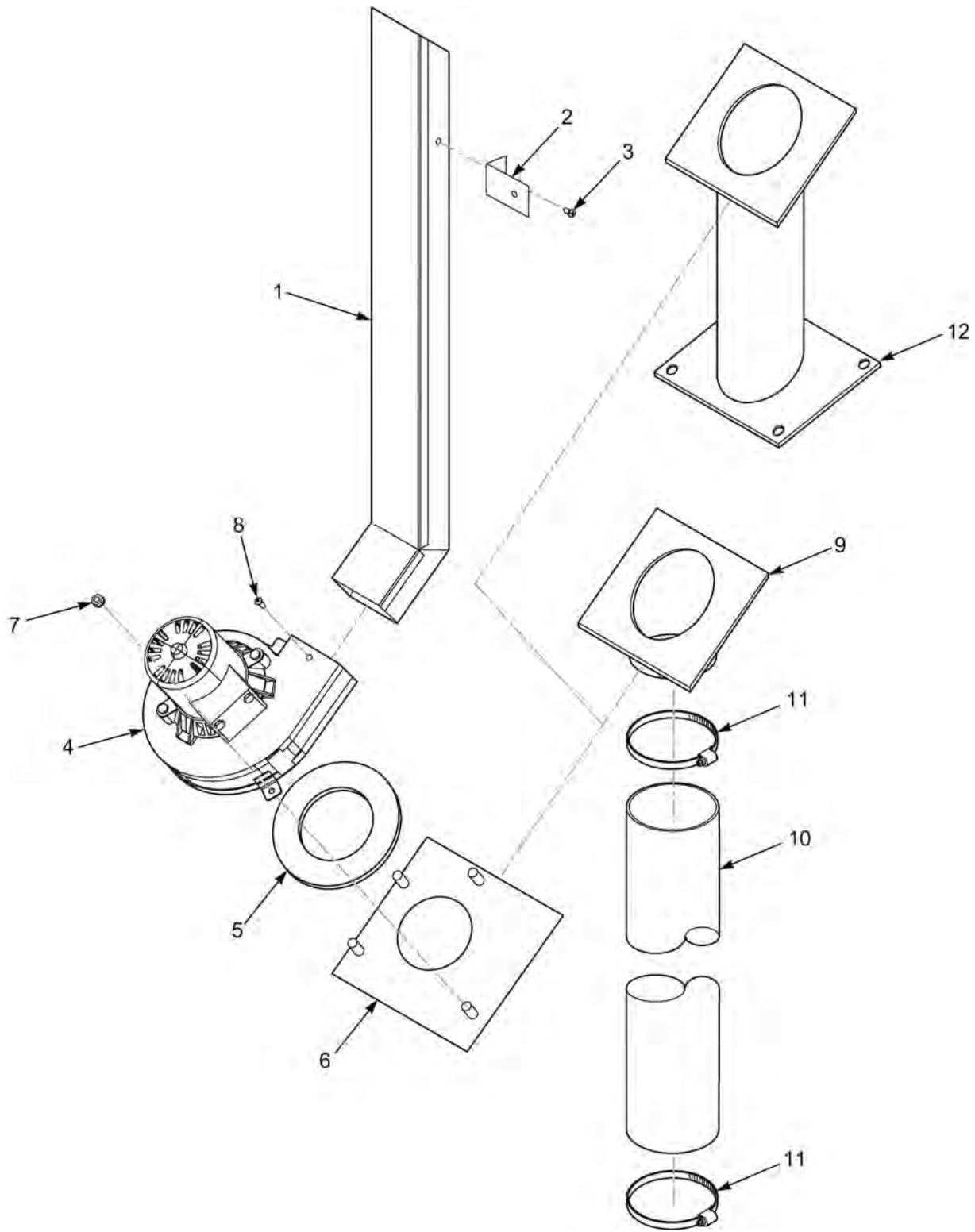
Figure & Item No.	Part No.	Description	Qty.
3-16A		STEAM BOX & HOSE ASSY (SN: AP0802029 & UP)	
1	35686	TUBE, DW TO EXHAUST STACK SS.....	1
2	MS01-297	HOSE CLAMP, SS - .500 - 1.062 DID.....	4
3	70569	TUBE, EXHAUST CONNECT.....	1
4	35696	WELDMENT, STEAM EXHAUST BOX LID.....	1
5	SC02-041	SCREW, #8-18 X 7/16 PH IND XTRNL TRX.....	4
6	70523	WELDMENT, STEAM EXHAUST BOX.....	1
7	82516	HOSE, CONDENSATE.....	1
8	69263	RESTRICTOR.....	1
9	MS01-315	HOSE CLAMP, 1/2 X 1-3/4 SS.....	2
10	NS01-011	NUT, (#10-32 HEX).....	1
11	36851	BRACKET, HOSE.....	1
12	21877	TUBING, STEAM EXHAUST.....	4
13	71409	CONDENSATE PAN WELDMENT.....	1
14	70471	BRACKET.....	2
15	NS02-006	NUT.....	4
16	SC03-010	SCREW.....	4



**FIGURE 3-16B. STEAM BOX & HOSE ASSEMBLY (SN: AP0802028 & BELOW)**

Figure & Item No.	Part No.	Description	Qty.
3-16B		STEAM BOX & HOSE ASSEMBLY (SN: AP0802028 & BELOW)	
1	56335	BRACKET – CONDENSATE BOX .....	1
2	21878	TUBING – STEAM EXHAUST.....	1
2	42508	TUBING – STEAM EXHAUST-UNITS BUILT BEFORE 8/98 .....	1
3	51748	CONDENSATE DRAIN HOSE.....	1
4	52056	CONDENSATION HOSE BRACKET .....	3
5	56312	CONDENSATE BOX – WELDMENT(S/N CH051II to AP0802028) (Includes items 6, 7, 8, 9, and 10)	1
5	52104	CONDENSATE BOX – WELDMENT (S/N CH050II & LOWER) ..	1
6	52108	ASSY – CONDENSATE BOX TOP .....	1
7	FP02-030	NIPPLE – 3/8 NPT X 3” LG BI.....	1
8	FP01-121	TEE – 3/8 NPT FEMALE N1 .....	1
9	FP01-120	FITTING – 3/8 NPT BARB M BRASS.....	1
10	SC02-041	#8-32 X 7/16 PH IND XTRNL TRX .....	4
11	FP01-118	ELBOW – 5/8 TUBE – 1/2 NPT FEMALE.....	2
12	52185	ASSY – DEADWEIGHT/STEAM TUBE .....	1
13	16809	. NUT FITTING .....	1
14	16808	. SLEEVE FITTING.....	1
15	52124	DEADWEIGHT TO EXHAUST HOSE .....	1
16	MS01-297	HOSE CLAMP – SS .562-1.062 D1D .....	2
17	MS01-307	HOSE CLAMP 2-1/2–3 IN. SS.....	1
18	SC03-010	SCREW 1/4-20 X 3/4 HEX HD GS.....	2
19	SC03-005	SCREW .....	2
20	71409	CONDENSATE PAN .....	1
21	EF02-037	CLAMP 1 ID X 1/2 WD .....	1
22	NS02-006	NUT .....	1
23	68534	ELBOW - 5/8 CONDENSATION DRAIN.....	1
24	FP02-020	NIPPLE - 1/2 NPT X 5” .....	1
25	16226	NIPPLE - 1/2 X 3-1/2” .....	2
26	35474	NIPPLE - 1/2 X 2 (SN: IH066JJ & BELOW) .....	1
26	FP01-061	NIPPLE - 1/2 X 2-1/2 SS (SN: IH067JJ & ABOVE) .....	1
27	16239	STREET ELL 1/2 X 90 DEGREE .....	1
28*	FP01-029	REDUCER - 1/2 NPTM-3/8 NPTFS (SN: IH066JJ & BELOW).....	1
29	-----	ASSY, DEADWEIGHT (See Figure 3-15) .....	1
30	16239	STREET ELL 1/2 X 90 DEGREE .....	1

\* not shown

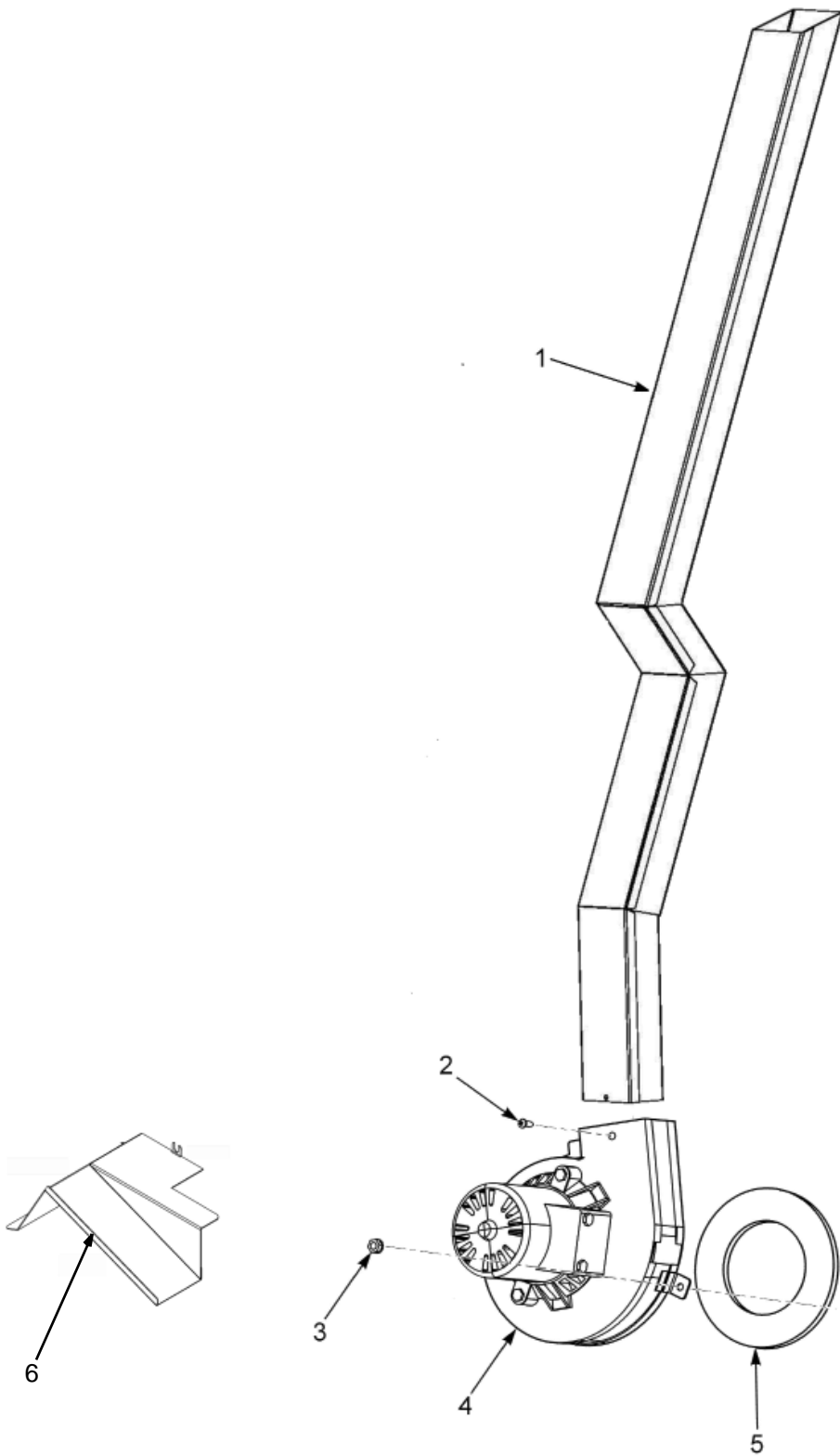


**FIGURE 3-17. FLUE ASSEMBLY & BLOWER**  
SN: AP0802028 & BELOW

Figure & Item No.	Part No.	Description	Qty.
3-17		FLUE ASSEMBLY & BLOWER (SN: AP0802028 & BELOW)	
1	55681	FLUE ASSY – WELDMENT .....	1
2	55783	BRACKET – FLUE RETAINING.....	1
3	SC03-005	SCREW SD #8 X 1/2 PH PHD.....	2
√ 4	14420	120V BLOWER – FLUE EXHAUST W/INSULATION.....	1
√ 4	14421	100V BLOWER – FLUE EXHAUST W/INSULATION.....	1
√ 4	14422	240V BLOWER – FLUE EXHAUST W/INSULATION.....	1
5	21329	. INSULATION – BLOWER .....	1
6	55673	STUD ASSY – BLOWER MOUNT PLATE .....	1
7	NS02-002	NUT KEPS 1/4-20 C.....	4
8	SC04-003	SCREW #8-32 X 3/8 PH PHD S .....	2
9	55675	ASSY – INSUL/BLOWER INLET-NAT GAS ONLY .....	1
10	52103	DILUTION HOSE/BLOWER-NAT GAS ONLY.....	1
11	MS01-429	HOSE CLAMP – 3 9/16-4 1/2 PL-NAT GAS ONLY.....	2
12	32743	DILUTION HOSE ASSEMBLY-LP GAS ONLY.....	1
13*	14384	KIT, FLUE DUCTS – BUTANE .....	1
14*	21980-02	DILUTION BOX ASSY - LP-CE (0-3,999 FT) .....	1
14*	21980-03	DILUTION BOX ASSY - NAT.-CE (0-3,999 FT) .....	1
14*	21980-04	DILUTION BOX ASSY - LP-CE (OVER 3,999 FT).....	1
14*	21980-05	DILUTION BOX ASSY - NAT.-CE (OVER 3,999 FT).....	1

√ recommended parts

\* not shown

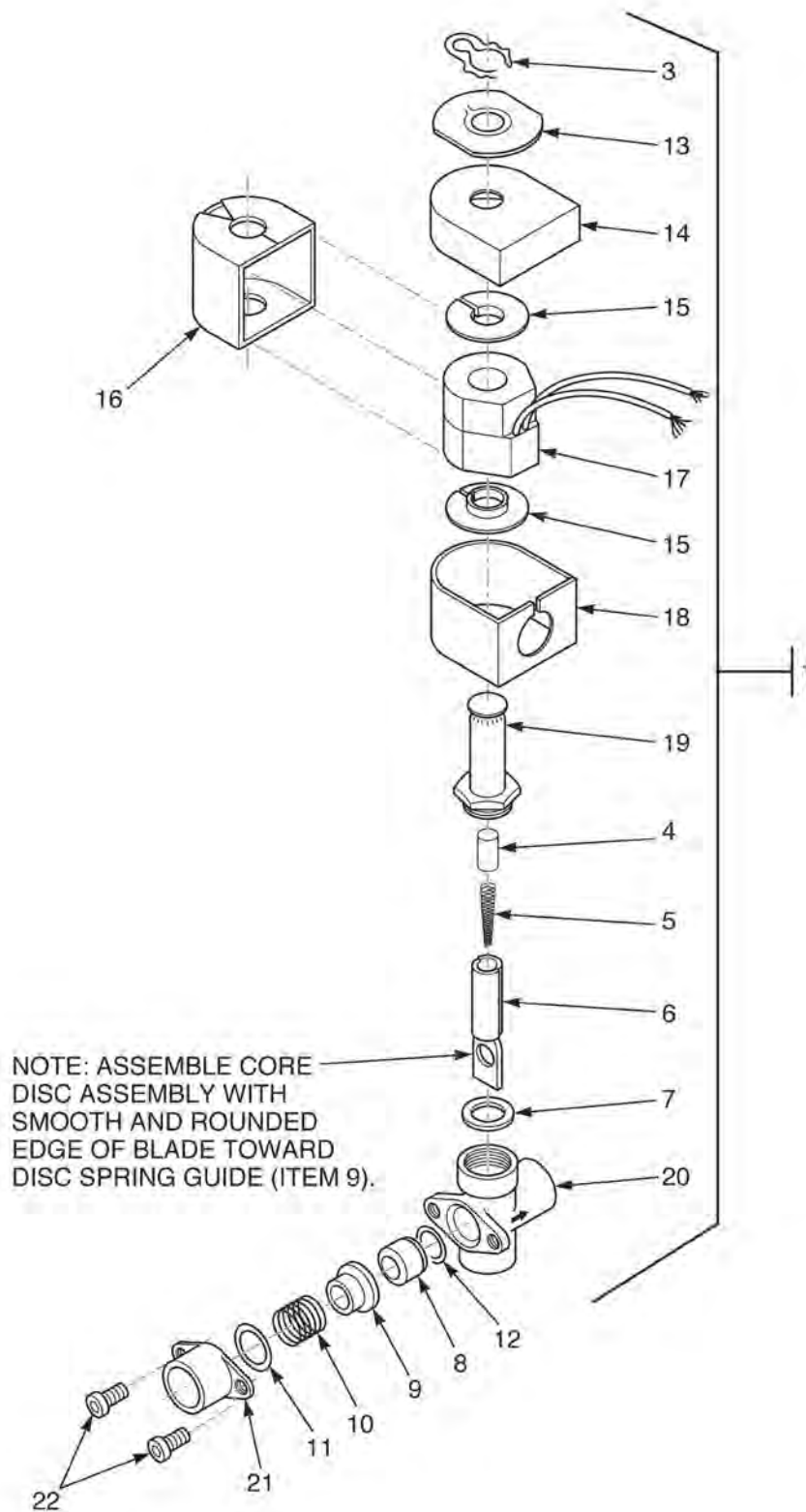


**FIGURE 3-18. FLUE ASSEMBLY & BLOWER**  
SN: AP0802029 & ABOVE

<b>Figure &amp; Item No.</b>	<b>Part No.</b>	<b>Description</b>	<b>Qty.</b>
3-18		FLUE ASSEMBLY AND BLOWER (SN: AP0802029 & ABOVE)	
1	70582	FLUE ASSY – WELDMENT .....	1
2	SC02-041	#8-32 X 7/16 PH IND XTRNL TRX .....	1
3	NS02-002	NUT KEPS 1/4-20 C.....	5
√ 4	14986	120V BLOWER – FLUE EXHAUST W/INSULATION.....	1
√ 4	14988	100V BLOWER – FLUE EXHAUST W/INSULATION.....	1
√ 4	14987	240V BLOWER – FLUE EXHAUST W/INSULATION.....	1
5	21329	. INSULATION – BLOWER .....	1
6	84144	BLOWER DRIP SHIELD ASSY - WELDMENT.....	1

√ recommended parts



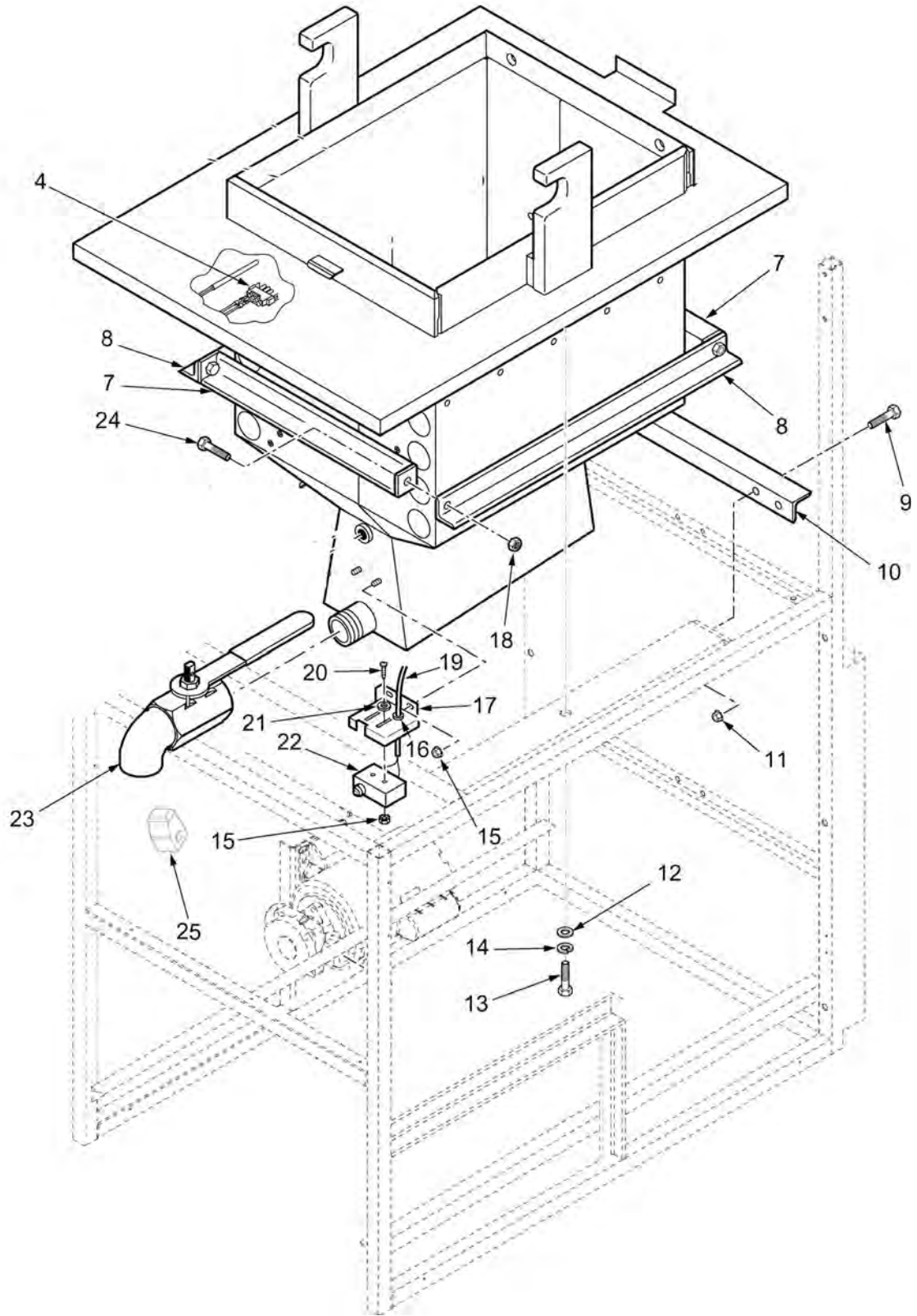


**FIGURE 3-18. SOLENOID VALVE ASSEMBLY**

Figure & Item No.	Part No.	Description	Qty.
3-18		SOLENOID VALVE ASSEMBLY	
1	29515	VALVE, SOLENOID 24V, 50/60 Hz .....	1
√ 2*	17120	. . KIT, SOLENOID VALVE REPAIR .....	1
3	17101	. . CLIP, RETAINER .....	1
4	17109	. . RETAINER, SPRING .....	1
5	17110	. . SPRING, CORE .....	1
6	17111	. . CORE, DISC ASSEMBLY .....	1
7	17112	. . GASKET, BONNET .....	1
8	17114	. . SEAT, TEFLON .....	1
9	17115	. . GUIDE, DISC SPRING .....	1
10	17116	. . SPRING, DISC .....	1
11	17117	. . RING, SPRING RETAINER .....	1
12	17122	. . SEAT, O-RING SEAL .....	1
√ 13	17102	PLATE, SOLENOID NAME .....	1
√ 14	17103	COVER, COIL HOUSING .....	1
√ 15	17104	WASHER, COIL .....	2
√ 16	17105	YOKE, COIL .....	1
√ 17	29547	COIL, 24V, 50/60 Hz .....	1
√ 17	17106	COIL, 120V, 60 Hz .....	1
√ 17	18706	COIL, 208-240V, 60 Hz .....	1
√ 17	18726	COIL, 208-240V, 50 Hz .....	1
√ 18	17123	HOUSING, COIL .....	1
√ 19	17108	BONNET, SOLENOID .....	1
√ 20	17113	BODY, SOLENOID VALVE .....	1
√ 21	17118	ADAPTER, PIPE .....	1
√ 22	SC01-132	SCREW, ADAPTER .....	2

√ recommended parts

\* not shown

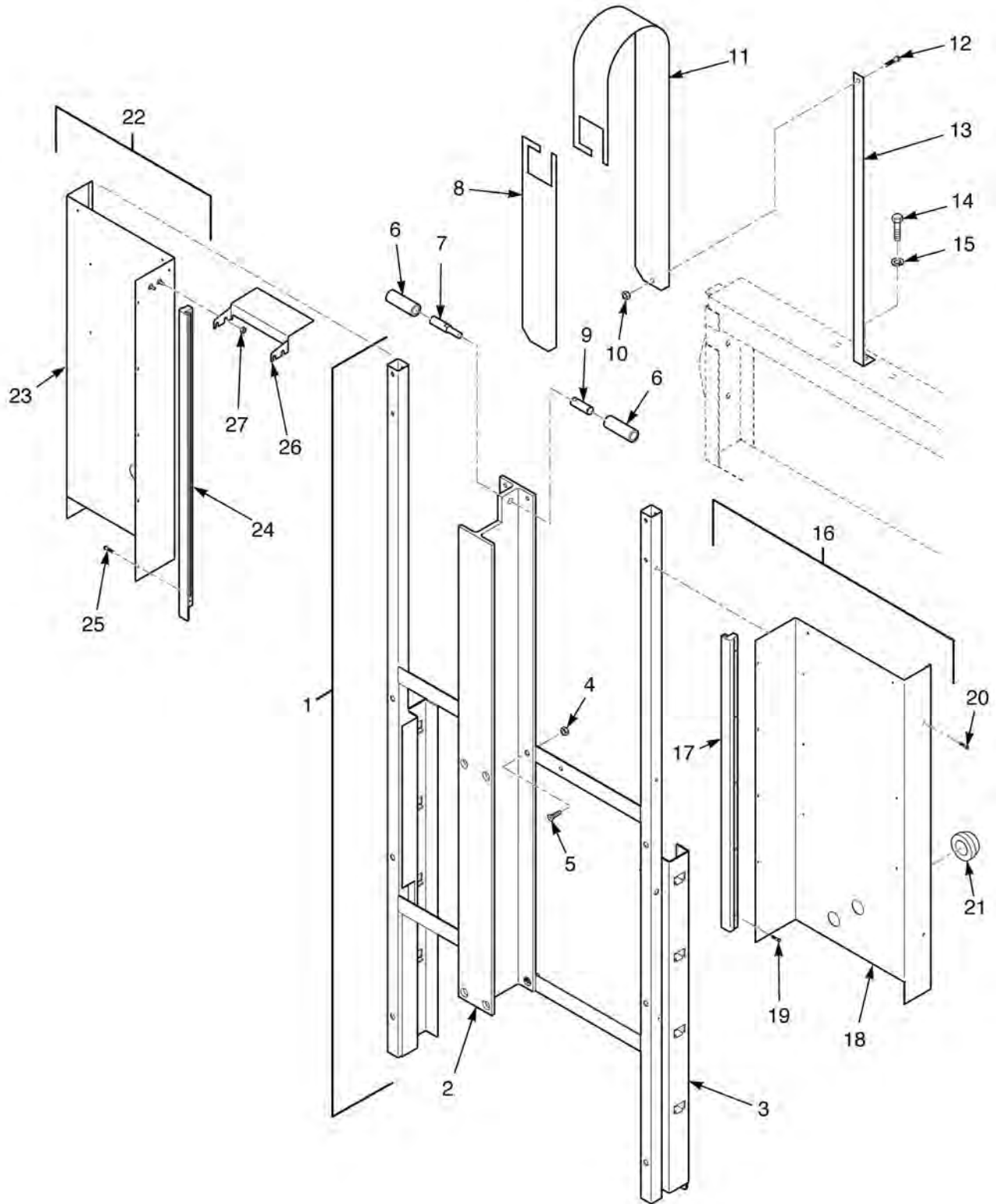


**FIGURE 3-19. FRYPOT & DRAIN PIPING**

Figure & Item No.	Part No.	Description	Qty.
3-19		FRYPOT & DRAIN PIPING	
√ 4	14330	KIT - PROBE ASSY – DOMESTIC (BELOW S/N FH001JC) ....	1
√ 4	140044	PROBE ASSY – (S/N FH001JC & ABOVE) .....	1
5	16226	NIPPLE 1/2 X 3-1/2.....	2
6	16239	ELBOW.....	1
7	51792	POT BRACE, FRONT AND REAR.....	2
8	51790	POT BRACE, SIDE .....	2
9	SC01-022	SCREW 1/4-20 X 3/4 HEX HD.....	4
10	51874	SUPPORT, REAR .....	1
11	NS02-002	NUT 1/4-20 .....	4
12	WA01-018	WASHER 3/8 FLAT.....	2
13	SC01-042	SCREW 3/8-16 X 1 HEX HD.....	2
14	LW01-010	LOCKWASHER 3/8 SPLIT RING.....	2
15	NS02-005	NUT #6-32 HEX .....	4
16	EF02-017	STRAIN RELIEF.....	1
17	51891	BRACKET, SWITCH (SN: AP0403029 & BELOW).....	1
17	67618	BRACKET, SWITCH (SN: AP0403030 & ABOVE).....	1
18	NS01-016	NUT 7/16-14 HEX.....	4
19	52519	CORD ASSY., DRAIN INTERLOCK.....	1
20	SC01-058	SCREW #6-32 X 1 PH. PAN HD. ....	2
21	WA01-006	WASHER #6 .....	2
√ 22	54228	DRAIN SWITCH W/BOOT .....	1
23	21355	DRAIN VALVE W/EXTENSION (BELOW SN: AP0401001) ....	1
23	66446	DRAIN VALVE W/EXTENSION (SN: AP0401001 & ABOVE).	1
24	SC01-217	SCREW 7/16-14 X 1-1/4 HEX HD. ....	4
25	67617	BRACKET - MICROSWITCH TRIGGERING.....	1
26*	76683	PLATE - D/I SWITCH COVER GAS .....	1

√ recommended parts

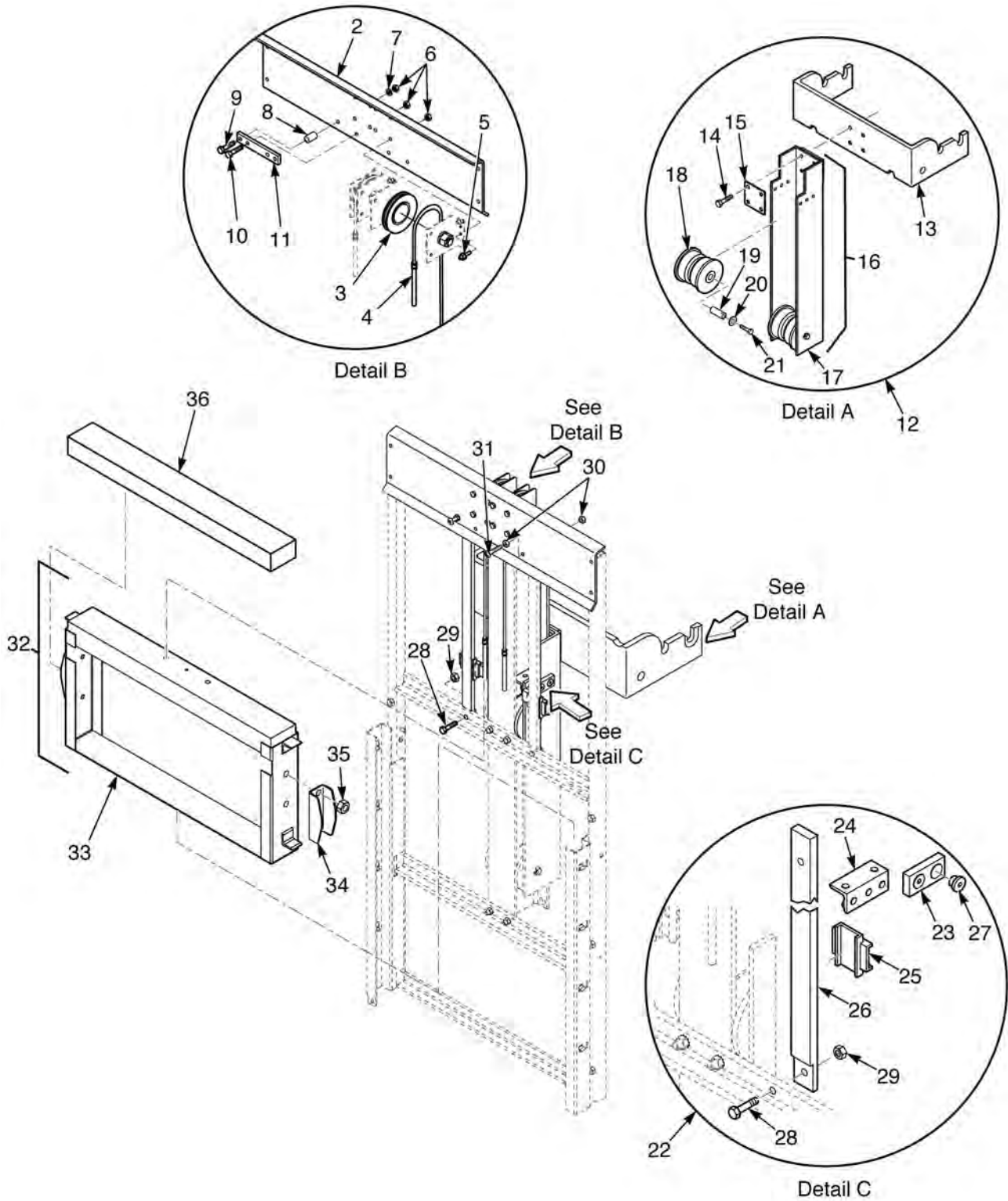
\* not shown



**FIGURE 3-20. LIFT BEAM & SHROUDS  
(SN: AP0802028 & BELOW)**

Figure & Item No.	Part No.	Description	Qty.
3-20		LIFT BEAM & SHROUDS (SN: AP0802028 & BELOW)	
1	55678	ASSY – I-BEAM/LIFT FRAME .....	1
2	51548	. LIFT I-BEAM .....	1
3	55677	. LIFT FRAME ASSY – WELDMENT .....	1
4	NS02-008	. . NUT.....	4
5	SC01-212	. . SCREW.....	4
6	52474	STOP - LIFT U-CHANNEL .....	1
7	51595	STOP PIN MALE .....	1
8	56825	LIFT STRAP FILLER – LOWER .....	1
9	51594	STOP PIN – FEMALE.....	1
10	NS02-007	NUT.....	1
11	56824	LIFT STRAP FILLER – UPPER .....	1
12	SC01-034	SCREW – PH .....	1
13	52177	LIFT STRAP .....	1
14	SC01-052	BOLT.....	1
15	LW01-002	LOCK WASHER .....	1
16	52784	ASSY – FRONT SHROUD/RIGHT .....	1
17	21345	. SLIDE GUIDE – RIGHT.....	1
18	52482	. WELDMENT – FRONT SHROUD/RIGHT .....	1
19	SC01-023	. SCREW #6-32 X 1/4 PH RHD C .....	5
20	SC03-005	SCREW – PH .....	4
21	16804	UMBRELLA GROMMET.....	3
22	52521	ASSY – FRONT SHROUD/LEFT.....	1
23	62087	. ASSY – FRONT SHROUD, LEFT STUD .....	1
24	21346	. SLIDE GUIDE – LEFT .....	1
25	SC01-023	. SCREW #6-32 X 1/4 PH RHD C .....	5
26	62091	SHROUD SPACER/PULLY GUARD.....	1
27	NS02-005	NUT.....	4
28*	14218	SINGLE TO DOUBLE LIFT STRAP KIT.....	1

\* not shown



**FIGURE 3-21. COUNTERWEIGHT & PULLEY SYSTEM  
(SN: AP0802028 & BELOW)**

Figure & Item No.	Part No.	Description	Qty.
3-21		COUNTERWEIGHT & PULLEY SYSTEM (SN: AP0802028 & BELOW)	
2	51677	PULLEY PLATE.....	1
3	35962	BRACKET/WHEEL ASSY .....	2
√ 4	35207	CABLE.....	2
5	SC01-022	SCREW 1/4-20 X 3/4 HEX HD C.....	8
6	NS02-002	NUT KEPS 1/4-20 C.....	12
7	WA01-002	WASHER .....	2
8	51590	SPACER.....	2
9	SC01-104	BOLT.....	2
10	SC01-022	BOLT.....	2
11	51591	I BEAM – PULLEY BRACE .....	1
12	54494	ASSY – LID ARM/U-CHANNEL.....	1
13	51692	. MACHINED – ARM – LID LIFT .....	1
14	55883	. SCREW 3/8–16 X 1-1/2 FT HH G .....	4
15	55598	. TORQUE PLATE – U-CHANNEL .....	1
16	54493	. ASSY – LIFT U-CHANNEL .....	1
17	51549	. . LIFT U-CHANNEL .....	1
18	66715	. . WHEEL – TRUCK .....	4
19	51593	. . SPINDLE – U CHANNEL WHEEL.....	4
20	LW01-001	. . LOCKWASHER SPLIT RING 3/8 ID.....	4
21	SC01-081	. . SCREW 3/8-24 X 3/4 HEX HD S .....	4
22	55873	STABILIZER COMPONENTS – ASSY .....	1
23	59113	. SUPPORT ARM – STABILIZER .....	2
24	51553	. ASSY – CABLE MOUNTING BRACKET .....	2
25	59112	. SLIDE – STABILIZER.....	2
26	59111	. BRACE – STABILIZER.....	2
27	SC01-226	. 5/16-18 X 1-1/4 FHD CAP SCREW.....	6
28	SC01-146	. SCREW 1/4-20 X 3/4 HEX HD C.....	2
29	NS02-002	. NUT KEPS 1/4-20 C.....	4
30	NS01-012	. NUT HEX 1/4-20 C .....	2
31	SC01-232	. 1/4-20 X 2.00 TRUSS HD PH ZI .....	2
32	54492	ASSY – CARRIAGE, WEIGHT.....	1
33	52118	. ASSY – WEIGHT BRACKET, STUD .....	1
34	62018	. GUIDE – COUNTER WEIGHT.....	2
35	NS02-002	. NUT KEPS 1/4-20 C.....	4
36	36627	COUNTERWEIGHT BAR.....	7

√ recommended parts



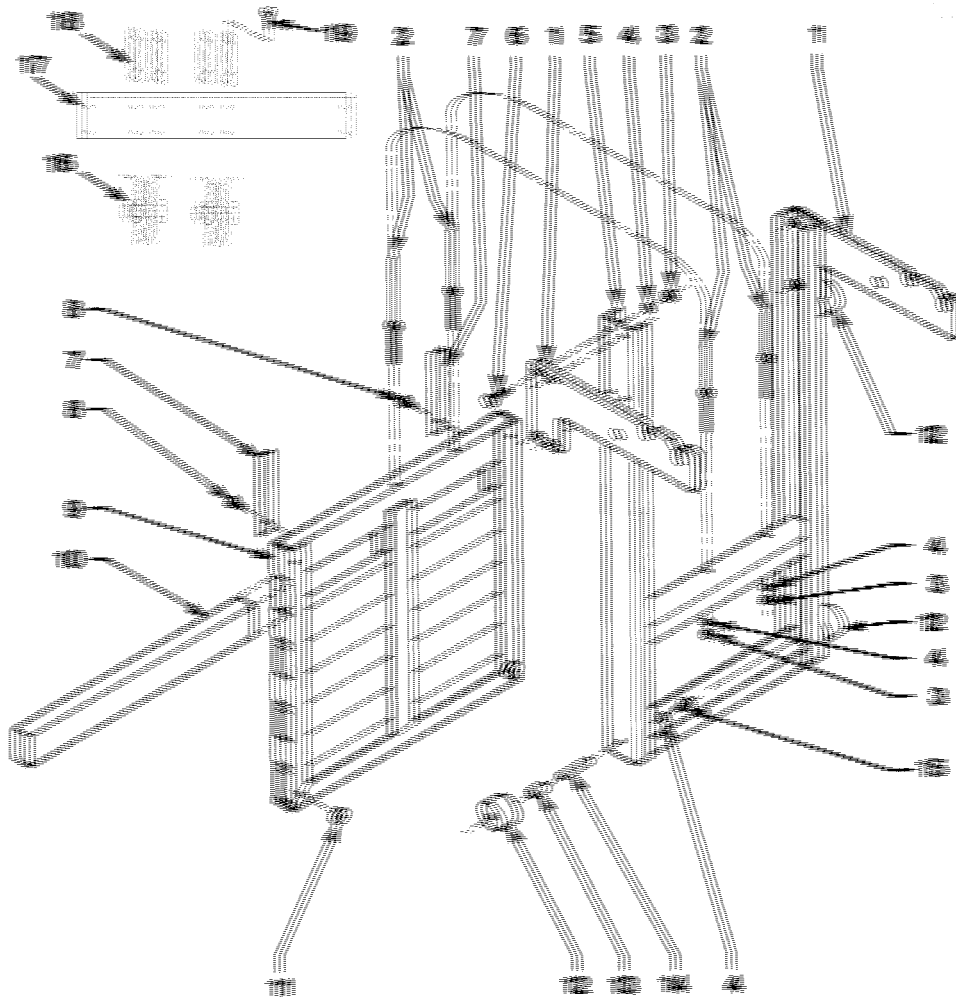


Figure & Item No.	Part No.	Description	Qty.
3-22		COUNTERWEIGHT SYSTEM (SN: AP0802029 & ABOVE)	
1	35026	ARM, LID SUPPORT.....	2
√ 2	35207	CABLE.....	2
3	NS01-025	NUT, HEX 5/16-18 SS.....	10
4	LW01-010	WASHER, 3/8 SPLIT RING SS.....	10
5	35092	CARRIAGE.....	1
6	SC01-069	SCREW, 3/8-16 X 1-1/2 HEX HD S2P.....	8
7	36839	SLIDE.....	2
8	SC01-042	SCREW, 3/8-16 X 1 HEX C.....	2
9	36625	WELD ASSEMBLY, C/W CARRIAGE.....	1
10	36627	COUNTERWEIGHT BAR.....	7
11	36626	SPACER, C/W FRAME.....	2
12	37362	WHEEL, CARRIAGE.....	4
13	37363	SPACER, CARRIAGE WHEEL.....	4
14	37364	SPINDLE.....	4
15	SC01-081	SCREW, 3/8-24 X 3/4 HEX HD SS.....	4
16	35962	BRACKET/WHEEL ASSY.....	2
17	36561	BRACE, TOP FRAME.....	1
18	35954	PLATE, SUPPORT PULLEY.....	4
19	SC01-132	1/2-20 X 5/8 SOC HD CAP SCREW.....	8

√ recommended parts

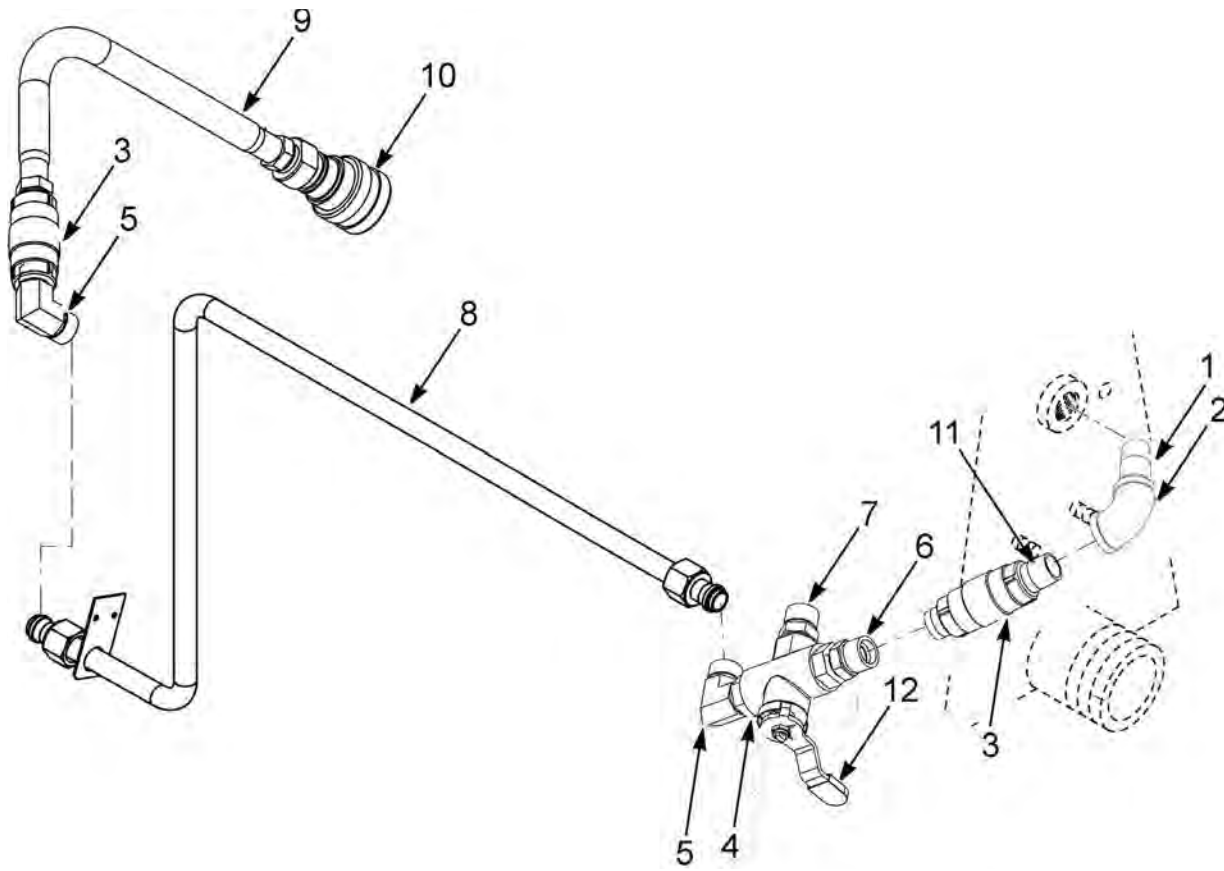


Figure & Item No.	Part No.	Description	Qty.
3-23	14639	OPTIONAL DIRECT-CONNECT KIT .....	1
		<b>(SN: LH029JC and above only)</b>	
1	FP01-175	NIPPLE - 3/4 NPT X 2.5 LG SS .....	1
2	FP01-176	ELBOW - 3/4 SS .....	1
3	21800	VALVE - 3/4 CHECK .....	2
4	68510	VALVE - 3/4 DIVERTER W/O HANDLE .....	1
5	FP01-169	CON - 90 MALE 3/4 TUBE 3/4 NPT .....	2
6	16282	NIPPLE - 3/4 CLOSE .....	1
7	FP01-170	CON - STR MALE 3/4 NPT .....	1
8	67692	ASSY - DIRECT CONN TUBE 8 HEAD .....	1
9	21753	HOSE - SHORTENING DISCARD .....	1
10	21612	DISCONNECT - FEMALE .....	1
11	FP02-060	NIPPLE - 3/4 SS CLOSE .....	1
12	68126	HANDLE - 8 HEAD DIRECT CONNECT .....	1

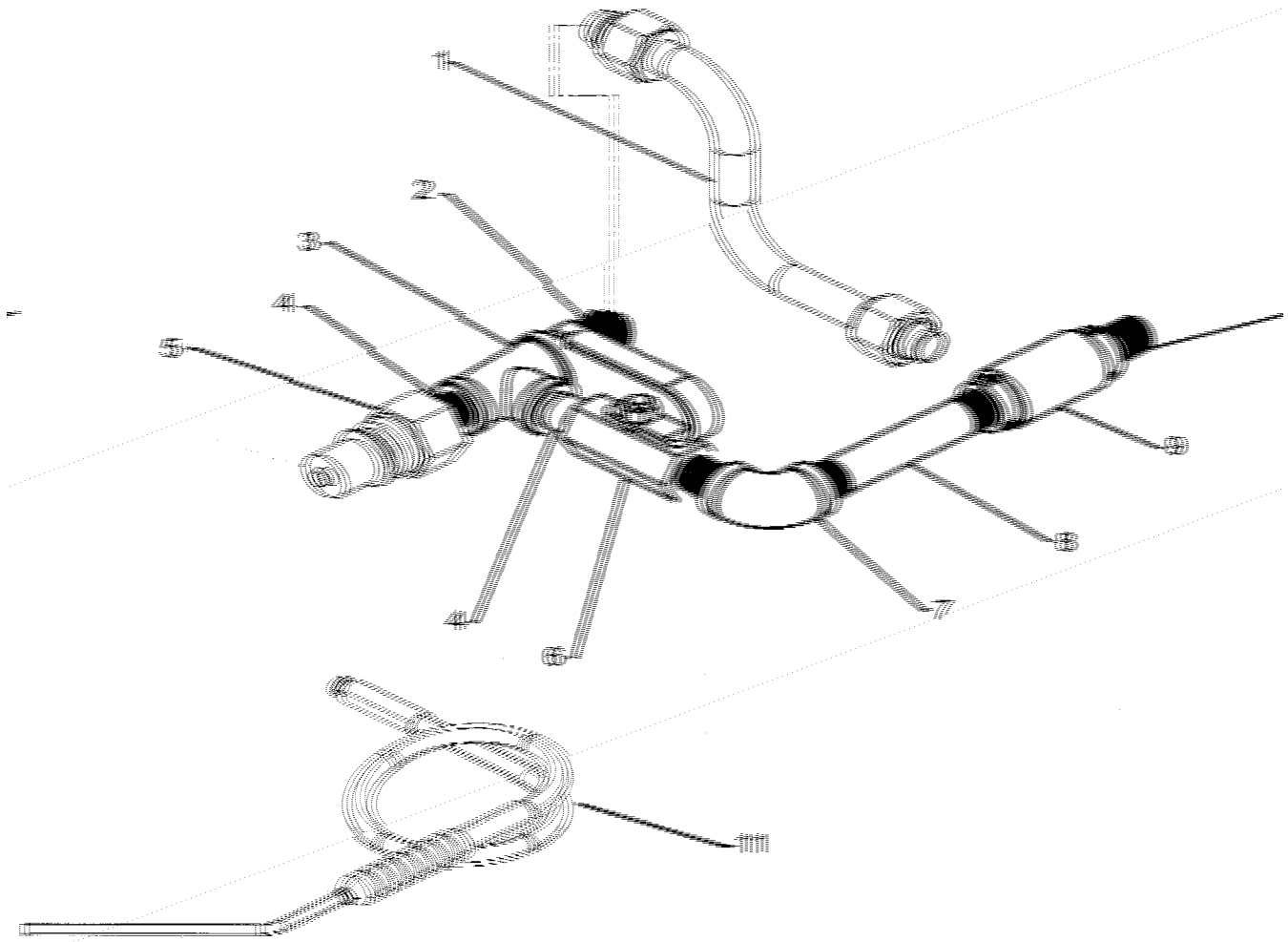


Figure & Item No.	Part No.	Description	Qty.
3-24A	14259	OPTIONAL RINSE HOSE KIT .....	1
		<b>(SN: LH028JC and below)</b>	
1	56981	ASSY - PUMP TO POT TUBE .....	1
2	16807	FITTING CONNECTOR - MALE .....	1
3	17306	PIPE TEE FITTING .....	1
4	FP02-024	NIPPLE - 3/8 NPT CLOSE B.I. ....	2
5	17334	RINSE HOSE DISCONNECT - MALE .....	1
6	59185	VALVE - FILTER - SM. "C" HANDLE .....	1
7	FP01-114	STREET ELBOW - 3/8 NPT B.I. ....	1
8	FP01-116	NIPPLE - 3/8 NPT X 4" LG B.I. ....	1
9	35472	CHECK VALVE - PRESSURE .....	1
10	FP02-007	NIPPLE - 3/8 X 1-1/2 .....	1
11	03003	DETACHABLE HOSE ASSEMBLY .....	1

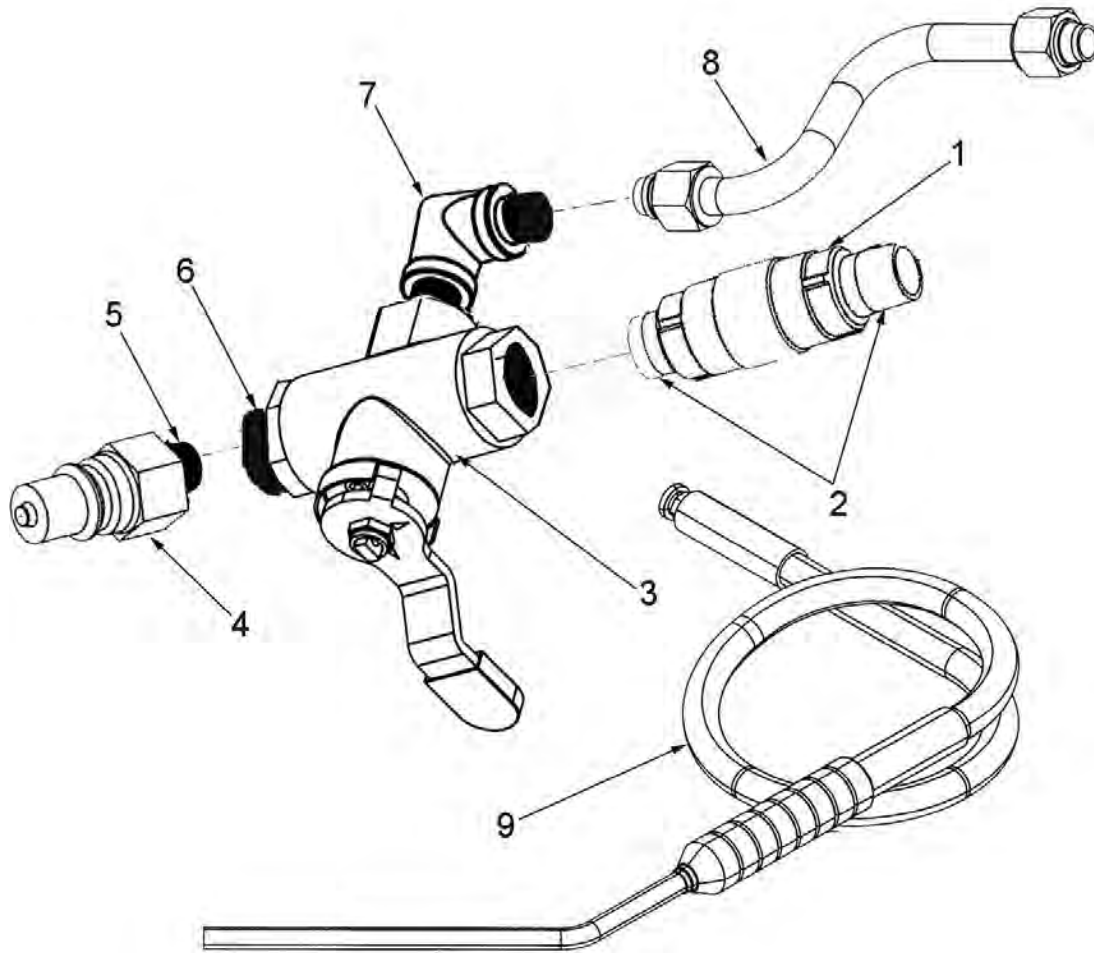


Figure & Item No.	Part No.	Description	Qty.
3-24B	14765	OPTIONAL RINSE HOSE KIT ..... (SN: LH029JC and above)	1
1	21800	VALVE - 3/4 CHECK .....	1
2	16282	NIPPLE - 3/4 CLOSE .....	2
3	66697	VALVE - 3/4 DIVERTER .....	1
4	17334	RINSE HOSE DISCONNECT - MALE .....	1
5	FP02-024	NIPPLE - 3/8 NPT CLOSE B.I. ....	1
6	FP01-143	BUSHING 3/4 X 3/8 B.I. ....	1
7	FP01-169	CON - 90 MALE 3/4 TUBE 3/4 NPT.....	1
8	66810	ASSY - 391/691 FLTR RINSE TUBE .....	1
9	03003	DETACHABLE HOSE ASSEMBLY .....	1