

SECTION 1. PARTS INFORMATION

1-1. INTRODUCTION

This section lists the replaceable parts of the Henny Penny Model HHC-136.

1-2. GENUINE PARTS

Use only genuine Henny Penny parts in your fryer. Using a part of lesser quality or substitute design may result in damage to the unit or personal injury.

1-3. WHEN ORDERING PARTS

Once the parts that you want to order have been found in the parts list, write down the following information:

Item Number	<u>2</u>	
Part Number	<u>71072</u>	Example:
Description	<u>Panel - Upper Flip Door - 1/3 Size</u>	

From the data plate, list the following information:

Product Number	<u>HHC136.0</u>	
Serial Number	<u>0001</u>	Example:
Voltage	<u>240</u>	

1-4. PRICES

Your distributor has a price parts list and will be glad to inform you of the cost of your parts order.

1-5. DELIVERY

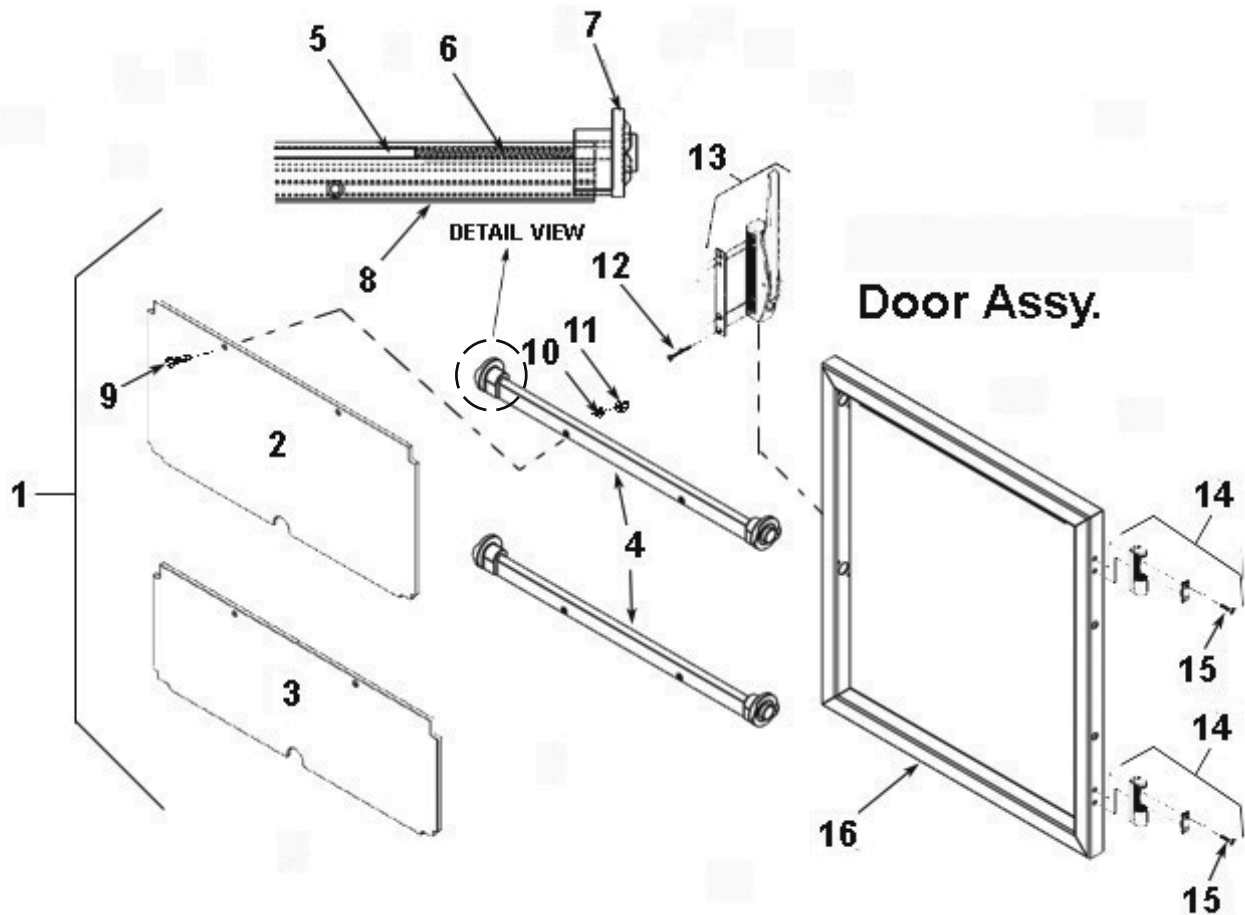
Commonly replaced items are stocked by your distributor and will be sent out when your order is received. Other parts will be ordered, by your distributor, from Henny Penny Corporation. Normally, these will be sent to your distributor within three working days.

1-6. WARRANTY

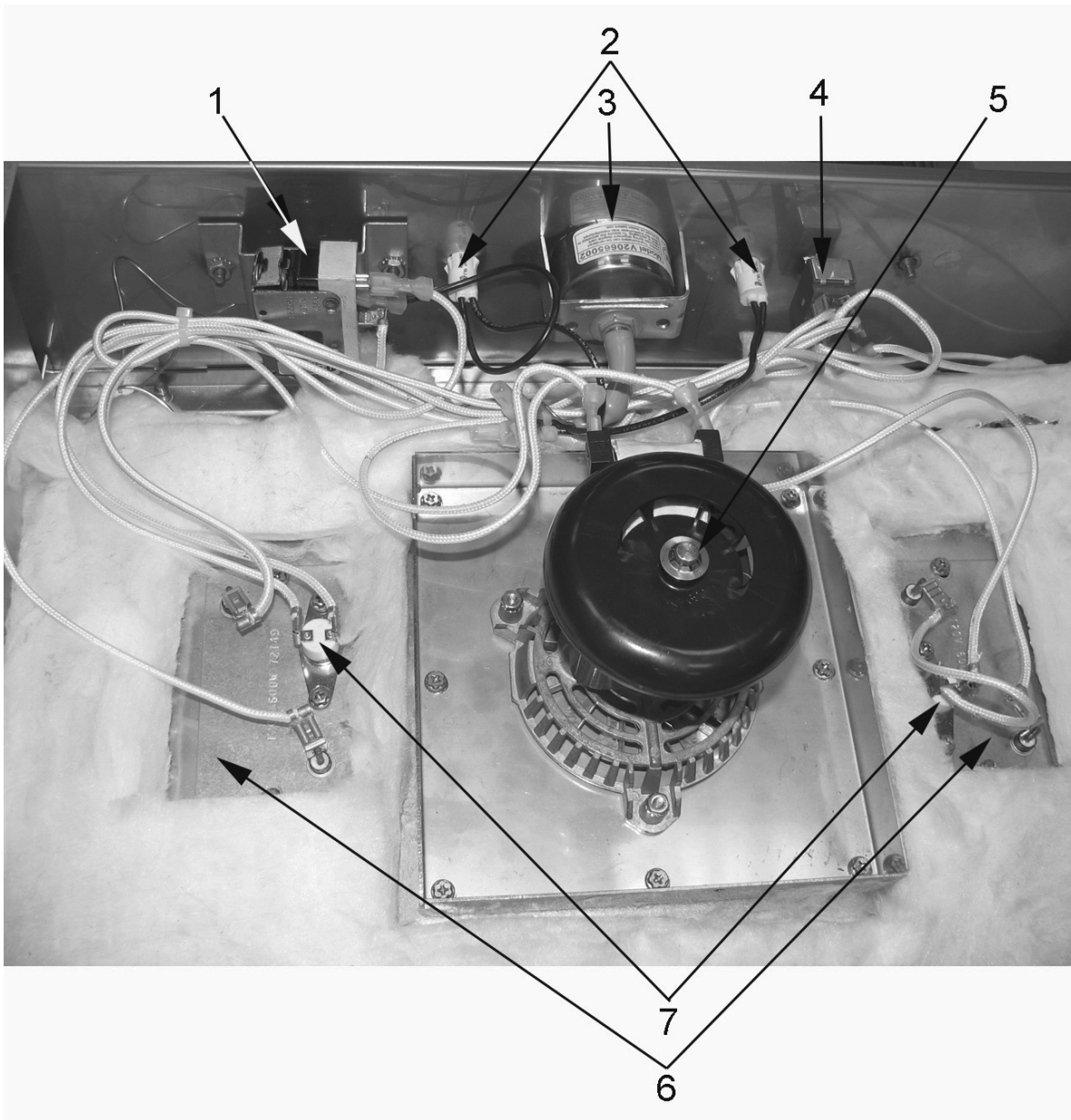
All replacement parts (except lamps and fuses) are warranted for 90 days against manufacturing defects and workmanship. If damage occurs during shipping, notify the carrier at once so that a claim may be properly filed. Refer to warranty in the front of this manual for other rights and limitations.

1-7. RECOMMENDED SPARE PARTS FOR DISTRIBUTORS

Recommended replacement parts, stocked by your distributor, are indicated with √ in the parts lists. Please use care when ordering recommended parts, because all voltages and variations are marked. Distributors should order parts based upon common voltages and equipment sold in their territory.

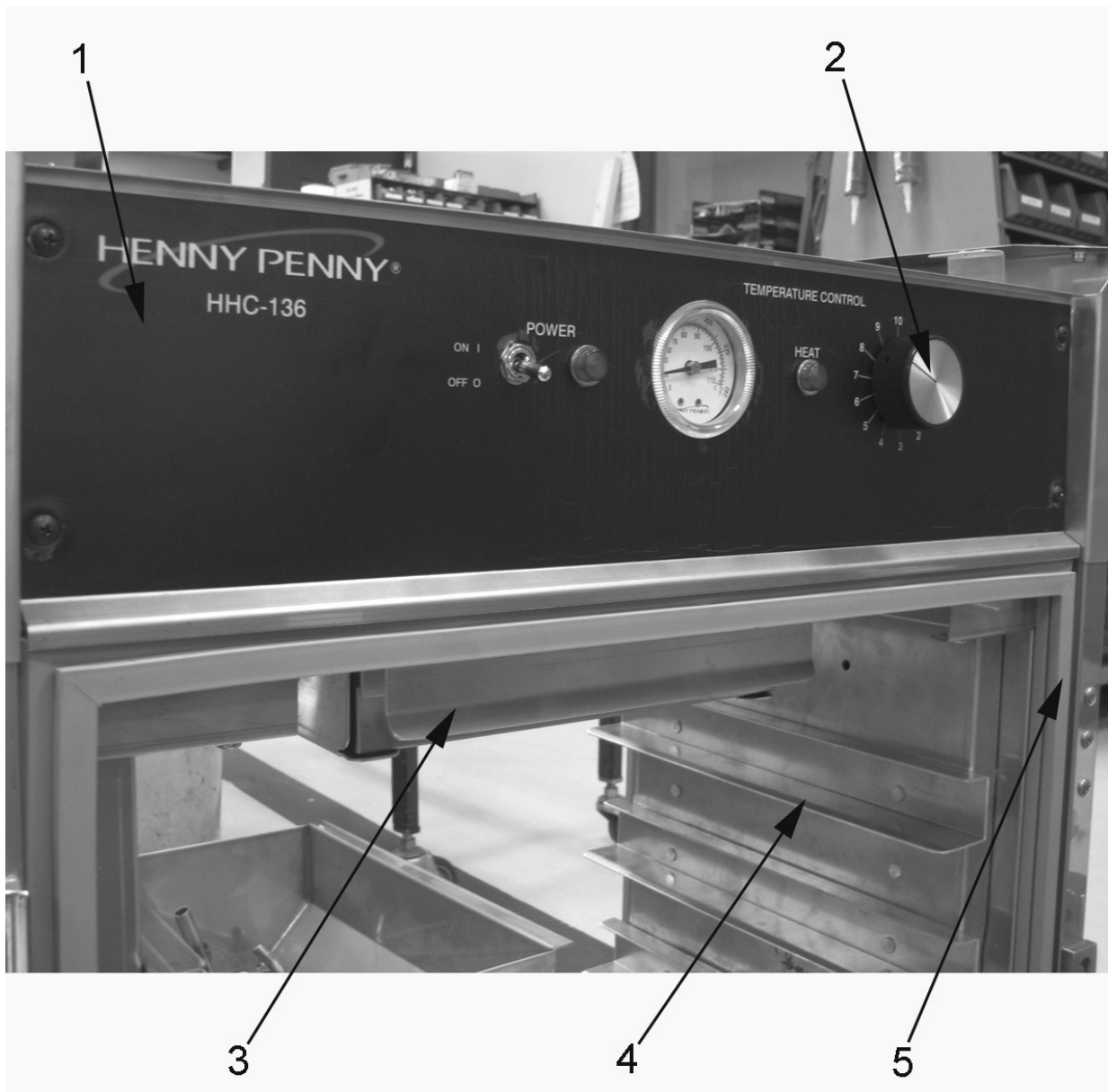


<u>Item No.</u>	<u>Part No.</u>	<u>Description</u>	<u>Quantity per Door</u>
		Flip-Up Door Assemblies	
1	71466	Assy - Door - Flip - RH - 1/3 Size	1
1	71467	Assy - Door - Flip - LH - 1/3 Size	1
2	71072	Panel - Upper Flip Door - 1/3 Size	1
3	71073	Panel - Lower Flip Door - 1/3 Size	1
4	71308	Assy - Hinge - Panel - Door - Flip	2
5	71067	Rod - Flip Door	2
6	71316	Spring - Flip Door	2
7	70768	Cam - Flip Door - RH	2
7	70769	Cam - Flip Door - LH	2
8	73320	Extrusion - Flip Door	2
9	SC01-254	Screw - #8-32 x 5/8 PH FHD SS	4
10	LW02-006	Lockwasher - Internal - #8 S	4
11	NS03-024	Nut - #8-32 Low Crown Acorn - B P	4
12	SC01-186	Screw - #10-32 x 1-3/4 PH FHD SS	4
13	14272	Kit - HC-900 Door Handle	1
14	14271	Kit - HC-900 Door Hinge	2
15	SC01-088	Screw - #8-32 x 1 PH FHD S	4
16	71056	Weld Assy - Flip Door Frame - RH - 1/3 Size	1
16	71057	Weld Assy - Flip Door Frame - LH - 1/3 Size	1



<u>Item No.</u>	<u>Part No.</u>	<u>Description</u>	<u>Quantity</u>
		Electrical Components	
1	14209	Kit - Thermostat	1
2	16624	Light - Indicator	2
3	14250	Kit - Thermometer	1
4	22198	Switch - Power DPST	1
5	63361	Motor - Blower - 240V	1
6	72149	Heater - 120V-600W	2
7	18201	Sensor - High Limit - 335°F	2
8*	63360	Blade - Fan - 5-3/8"	1

*not shown



<u>Item No.</u>	<u>Part No.</u>	<u>Description</u>	<u>Quantity</u>
		Front View	
1	72228	Decal - HHC136	1
2	25863	Knob - Thermostat	1
3	73597	Assy - Water Pan	1
4	73093	Assy - Air Duct	2
5	25793	Gasket - Door	2