



Reliability is a
beautiful thing™

HOSHIZAKI®

CUBELET ICE DISPENSER

MODELS

DCM-500BAF
DCM-500BWF
DCM-750BAF
DCM-750BWF

INSTRUCTION MANUAL

ISSUED: APRIL 13, 1998
REVISED: NOV. 18, 2003

IMPORTANT

Only qualified service technicians should attempt to install, service or maintain this ice dispenser. No installation, service or maintenance should be undertaken until the technician has thoroughly read this Instruction Manual. Likewise, the owner/manager should not proceed to operate the ice dispenser until the installer has instructed them on its proper operation.

HOSHIZAKI provides this manual primarily to assist qualified service technicians in the installation, maintenance and service of the ice dispenser.

Should the reader have any questions or concerns which have not been satisfactorily addressed, please call or write to the HOSHIZAKI Technical Support Department for assistance.

HOSHIZAKI AMERICA, INC.
618 Highway 74 South
Peachtree City, GA 30269

Attn: HOSHIZAKI Technical Support Department

Phone: 1-800-233-1940 Technical Service
(770) 487-2331
Fax: (770) 487-3360

NOTE: To expedite assistance, all correspondence/communication **MUST** include the following information:

- Model Number
- Serial Number
- Complete and detailed explanation of the problem

- Please review this manual. It should be read carefully before the ice dispenser is installed and operated. Only qualified service technicians should install, service and maintain the ice dispenser. This manual should be made available to the technician prior to installation, service or maintenance.
- Keep this manual with the ice dispenser for later reference

CONTENTS	PAGE
I. SPECIFICATIONS	4
1. NAMEPLATE RATING	4
[a] DCM-500BAF (Air-cooled)	4
[b] DCM-500BWF (Water-cooled)	5
[c] DCM-750BAF (Air-cooled)	6
[d] DCM-750BWF (Water-cooled)	7
2. DIMENSIONS/CONNECTIONS	8
[a] DCM-500BAF (Air-cooled)	9
[b] DCM-500BWF (Water-cooled)	9
[c] DCM-750BAF (Air-cooled)	10
[d] DCM-750BWF (Water-cooled)	11
II. GENERAL INFORMATION	12
1. CONSTRUCTION	12
2. OPERATION - How it works	13
III. INSTALLATION AND OPERATING INSTRUCTIONS	14
1. CHECKS BEFORE INSTALLATION	14
2. HOW TO REMOVE PANELS	14
3. LOCATION	15
4. SET UP	15
5. CABINET STAND	16
6. ELECTRICAL CONNECTION	16
7. WATER SUPPLY AND DRAIN CONNECTIONS	20
8. FINAL CHECK LIST	22
9. START UP	23
10. CONTROLS AND ADJUSTMENTS	25
11. PREPARING THE ICE DISPENSER FOR LONG STORAGE	26
IV. CLEANING AND MAINTENANCE INSTRUCTIONS	28
1. CLEANING INSTRUCTIONS	28
[a] WATER SYSTEM	28
[b] STORAGE BIN	30
2. MAINTENANCE	32

I. SPECIFICATIONS

1. NAMEPLATE RATING

[a] DCM-500BAF (Air-cooled)

HOSHIZAKI ICE MAKER			
MODEL NUMBER	DCM-500BAF		
SERIAL NUMBER			
AC SUPPLY VOLTAGE	115-120/60/1		
COMPRESSOR	120V	7.9RLA	51LRA
GEAR MOTOR	120V	1.6FLA	1/6HP
FAN MOTOR	120V	0.6FLA	30W
AGITATING MOTOR	120V	0.9FLA	55W
DISPENSING MOTOR	120V	0.9FLA	55W
OTHER	120V	0.2A	
MAXIMUM FUSE SIZE	20 AMPS		
MAX. HACR BREAKER (USA ONLY)	20 AMPS		
MAX. CIRC. BREAKER (CANADA ONLY)	20 AMPS		
MINIMUM CIRCUIT AMPACITY	20 AMPS		
DESIGN PRESSURE	HI-460PSI	LO-290PSI	
REFRIGERANT 404A	1 lb. 4.1 oz.		
MOTOR-COMPRESSOR THERMALLY PROTECTED			
NOT INTENDED FOR OUTDOOR USE			



See the Nameplate for electrical and refrigeration specifications. This Nameplate is located on the upper part of the Left Side Panel.

We reserve the right to make changes in specifications and design without prior notice.

[b] DCM-500BWF (Water-cooled)

HOSHIZAKI ICE MAKER

MODEL NUMBER	DCM-500BWF		
SERIAL NUMBER			
AC SUPPLY VOLTAGE	115-120/60/1		
COMPRESSOR	120V	7.9RLA	51LRA
GEAR MOTOR	120V	1.6FLA	1/6HP
FAN MOTOR	—	—	—
AGITATING MOTOR	120V	0.9FLA	55W
DISPENSING MOTOR	120V	0.9FLA	55W
OTHER	120V	0.2A	
MAXIMUM FUSE SIZE	20 AMPS		
MAX. HACR BREAKER (USA ONLY)	20 AMPS		
MAX. CIRC. BREAKER (CANADA ONLY)	20 AMPS		
MINIMUM CIRCUIT AMPACITY	20 AMPS		
DESIGN PRESSURE	HI-460PSI	LO-290PSI	
REFRIGERANT 404A	13.4 oz		
MOTOR-COMPRESSOR THERMALLY PROTECTED			
NOT INTENDED FOR OUTDOOR USE			

HOSHIZAKI AMERICA, INC.

Peachtree City, GA



See the Nameplate for electrical and refrigeration specifications. This Nameplate is located on the upper part of the Left Side Panel.

We reserve the right to make changes in specifications and design without prior notice.

[c] DCM-750BAF (Air-cooled)

HOSHIZAKI ICE MAKER

MODEL NUMBER	DCM-750BAF		
SERIAL NUMBER			
AC SUPPLY VOLTAGE	115-120/60/1		
COMPRESSOR	120V	11RLA	60LRA
GEAR MOTOR	120V	3FLA	1/4HP
FAN MOTOR	120V	.85FLA	1/15HP
AGITATING MOTOR	120V	1.8FLA(TOTAL) 110W	
DISPENSING MOTOR	120V	0.9FLA	55W
OTHER	120V	0.6A	
MAXIMUM FUSE SIZE	20 AMPS		
MAX. HACR BREAKER (USA ONLY)	20 AMPS		
MAX. CIRC. BREAKER (CANADA ONLY)	20 AMPS		
MINIMUM CIRCUIT AMPACITY	20 AMPS		
DESIGN PRESSURE	HI-467PSI	LO-290PSI	
REFRIGERANT 404A	1 lb. 7.1 oz.		
MOTOR-COMPRESSOR THERMALLY PROTECTED			
NOT INTENDED FOR OUTDOOR USE			



See the Nameplate for electrical and refrigeration specifications. This Nameplate is located on the upper part of the Left Side Panel.

We reserve the right to make changes in specifications and design without prior notice.

[d] DCM-750BWF (Water-cooled)

HOSHIZAKI ICE MAKER

MODEL NUMBER	DCM-750BWF		
SERIAL NUMBER			
AC SUPPLY VOLTAGE	115-120/60/1		
COMPRESSOR	120V	10RLA	60LRA
GEAR MOTOR	120V	3FLA	1/4HP
FAN MOTOR	-	-	-
AGITATING MOTOR	120V	1.8FLA(TOTAL) 110W	
DISPENSING MOTOR	120V	0.9FLA	55W
OTHER	120V	0.6A	
MAXIMUM FUSE SIZE	20 AMPS		
MAX. HACR BREAKER (USA ONLY)	20 AMPS		
MAX. CIRC. BREAKER (CANADA ONLY)	20 AMPS		
MINIMUM CIRCUIT AMPACITY	20 AMPS		
DESIGN PRESSURE	HI-427PSI	LO-290PSI	
REFRIGERANT 404A	1 lb. 1.7 oz.		
MOTOR-COMPRESSOR THERMALLY PROTECTED			
NOT INTENDED FOR OUTDOOR USE			

HOSHIZAKI AMERICA, INC.

Peachtree City, GA

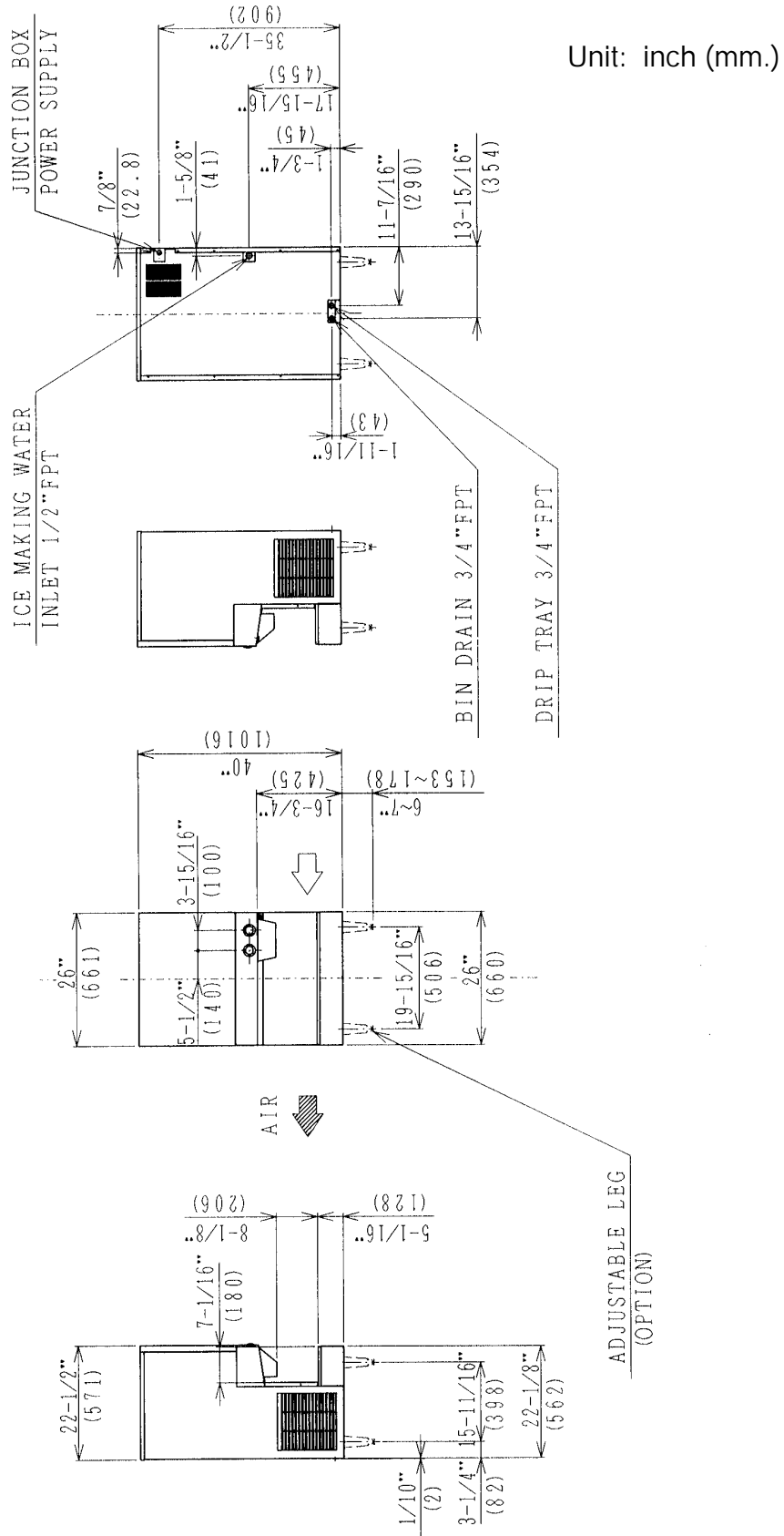


See the Nameplate for electrical and refrigeration specifications. This Nameplate is located on the upper part of the Left Side Panel.

We reserve the right to make changes in specifications and design without prior notice.

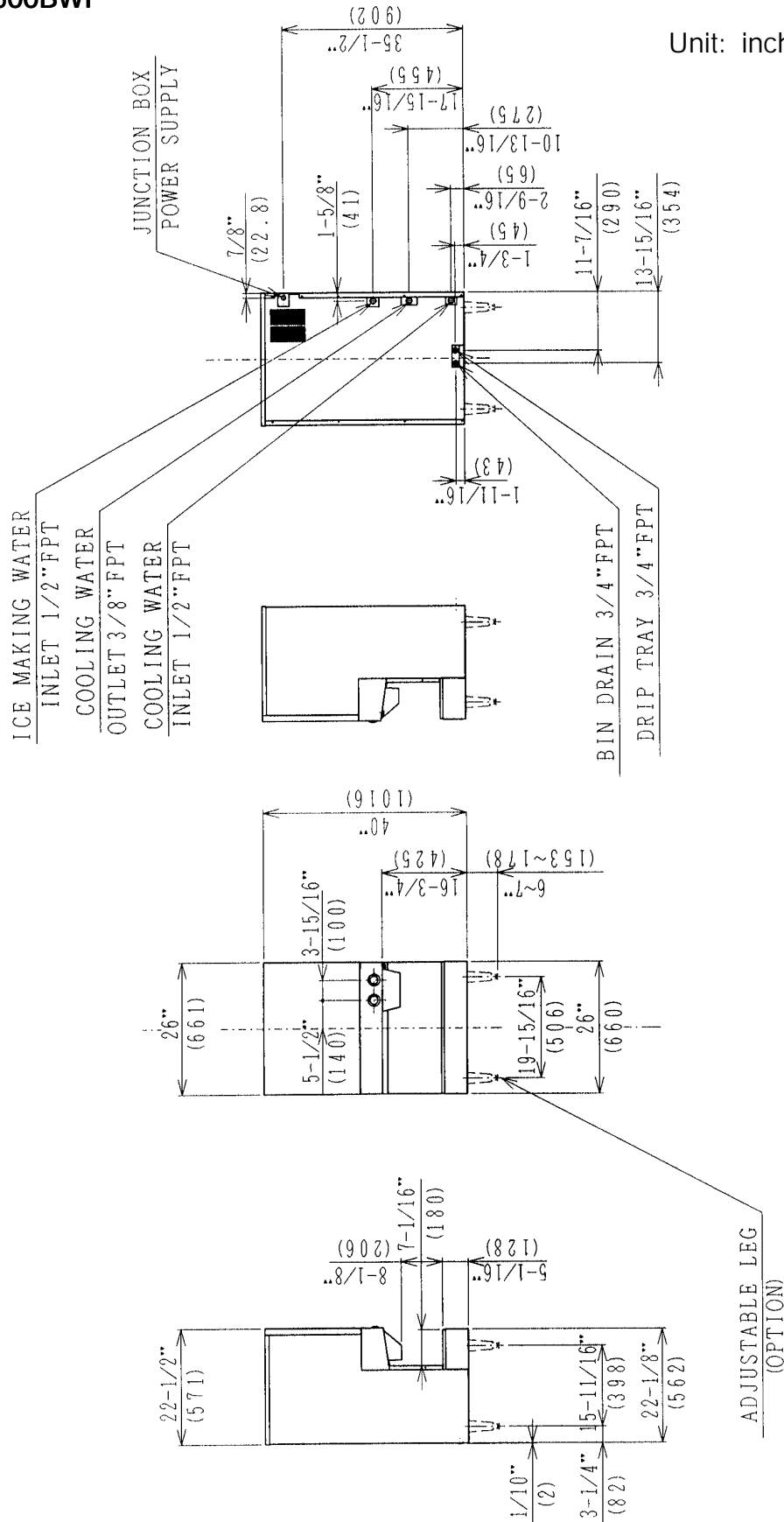
2. DIMENSIONS/CONNECTIONS

[a] DCM-500BAF



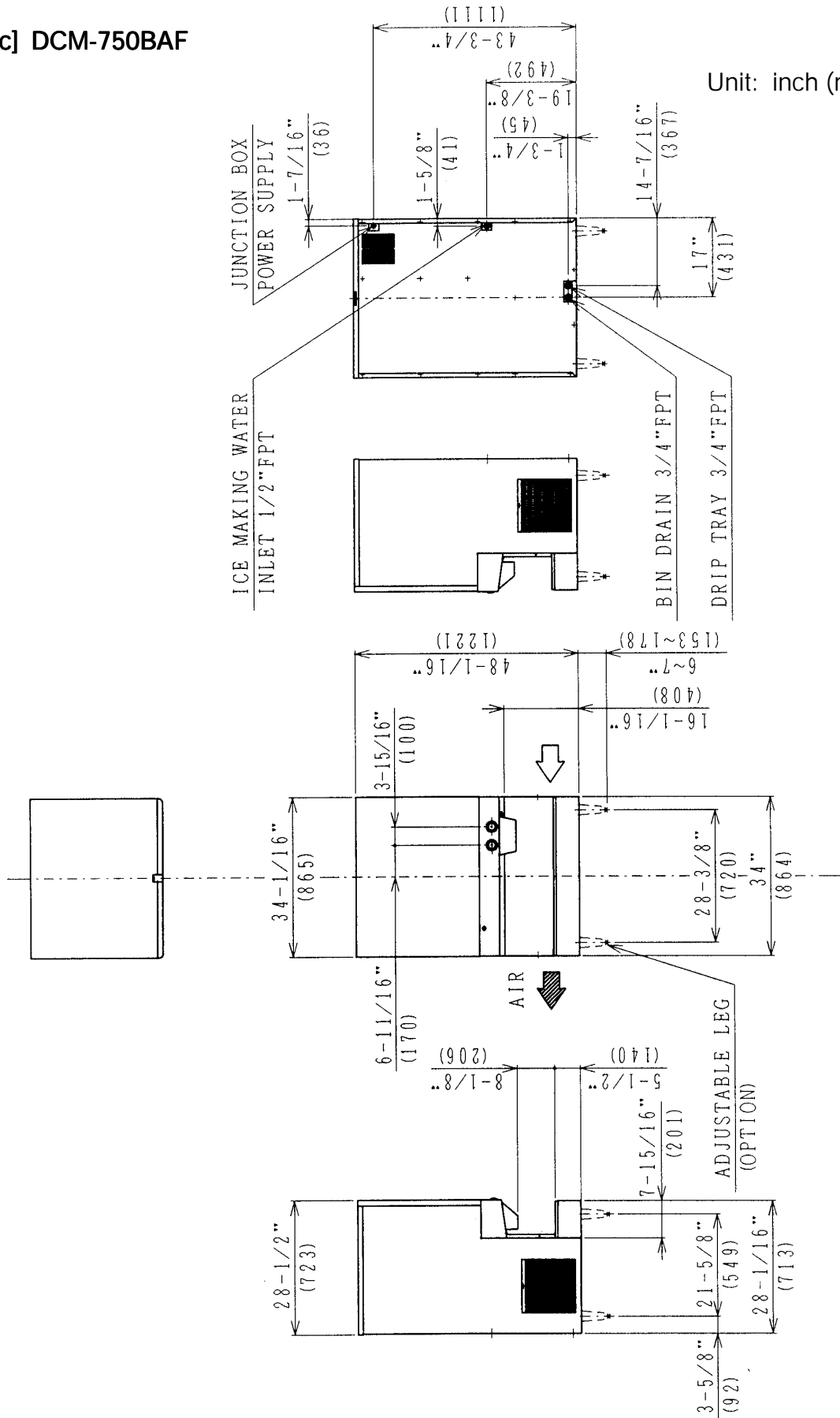
[b] DCM-500BWF

Unit: inch (mm.)



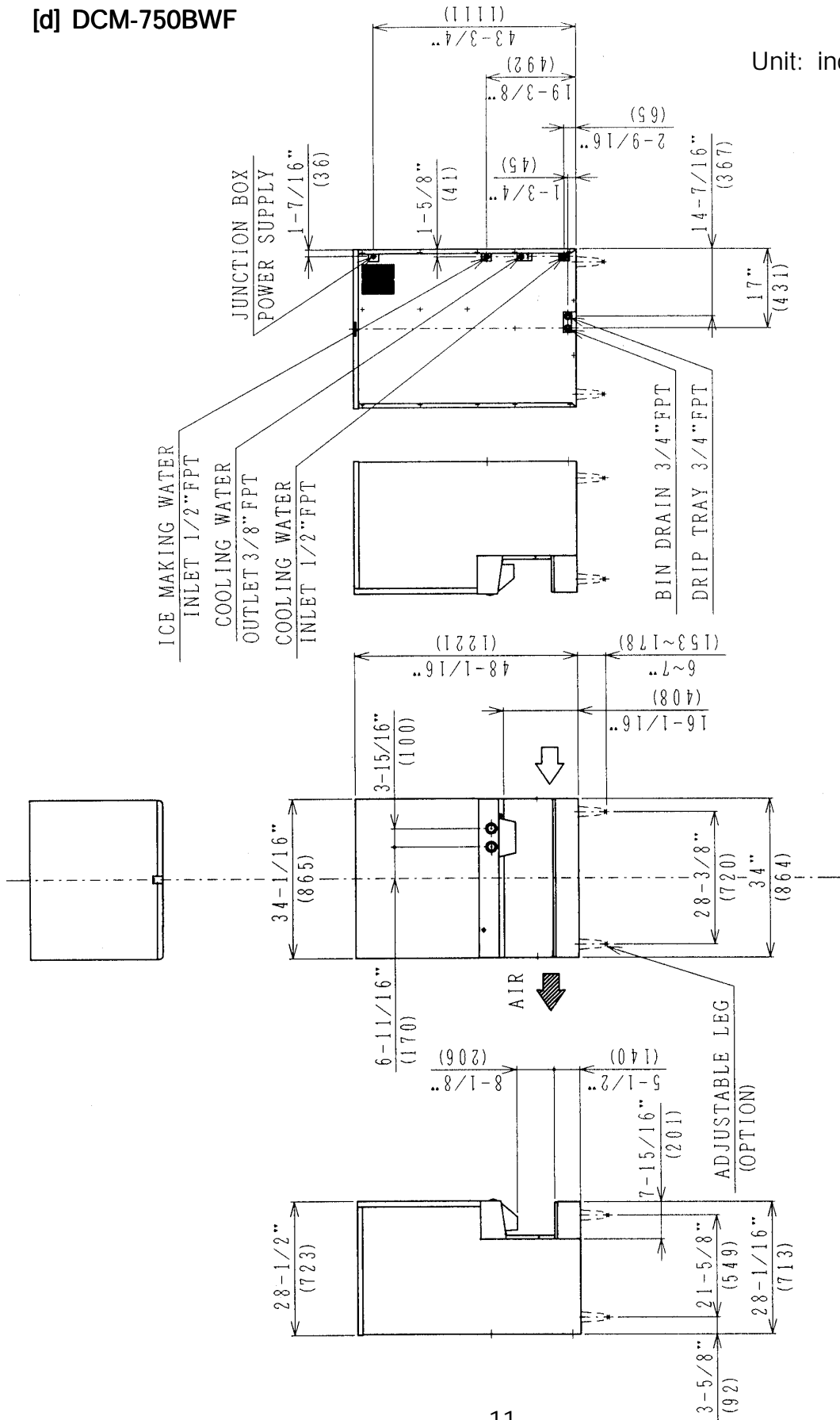
[c] DCM-750BAF

Unit: inch (mm.)



[d] DCM-750BWF

Unit: inch (mm.)



II. GENERAL INFORMATION

1. CONSTRUCTION

Hoshizaki Cubelet Ice Dispensers, models DCM-500BAF, DCM-500BWF, DCM-750BAF and DCM-750BWF include Water Supply, Freezer, Condensing, Storage, Dispensing and Control Assemblies.

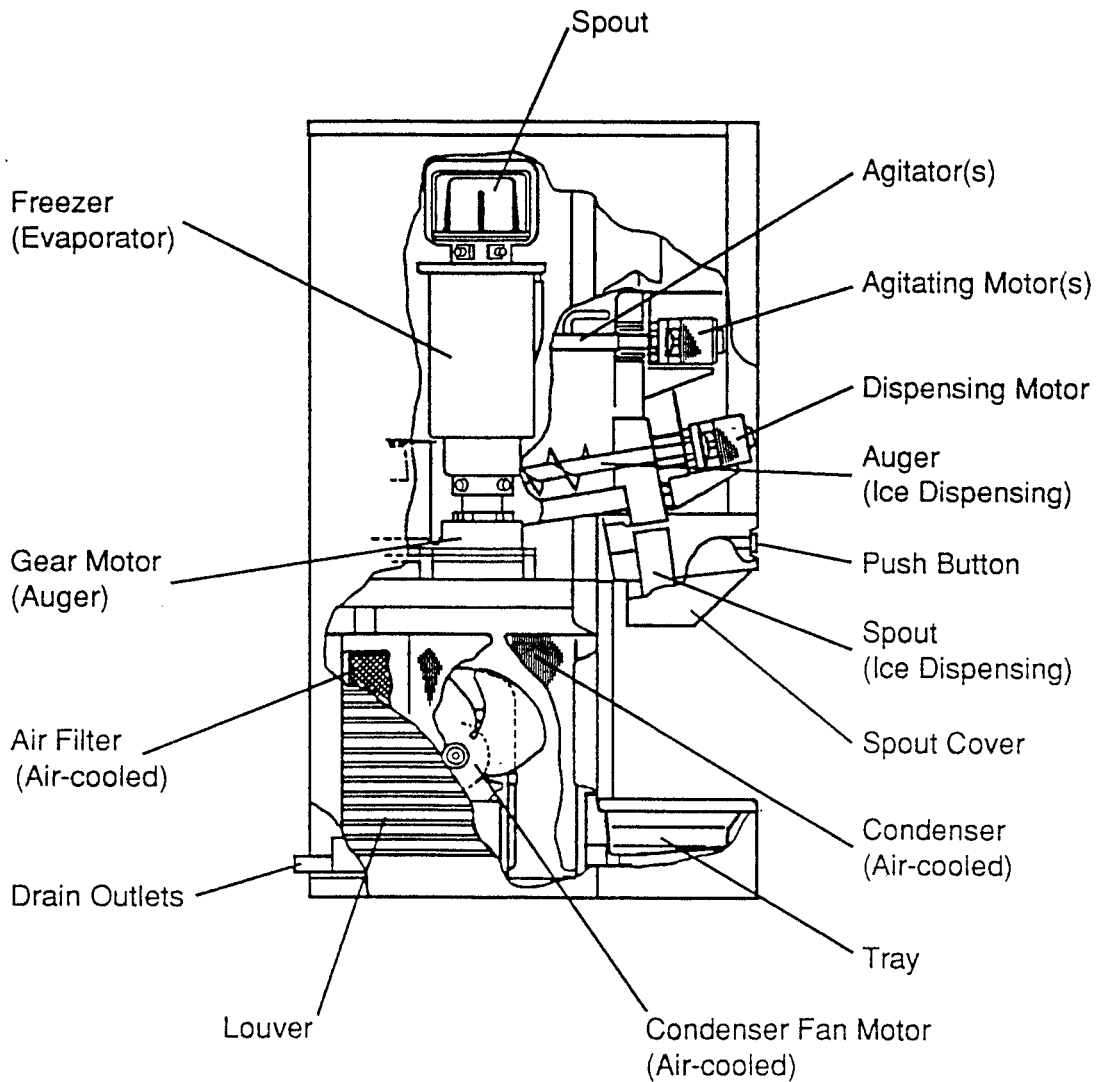


Fig. 1

2. OPERATION - How it works

Water flows from a potable water source through the Water Supply Line Shut-off Valve, enters at the water inlet fitting and on to the Water Supply Assembly. The water supply functions to maintain a constant water level inside the Freezer Assembly. Water from the water supply enters at the bottom of the Freezer and changes into ice by heat-exchanging refrigerant from the Condensing Assembly.

A stainless steel Auger inside the Freezer is direct-driven by the Gear Motor, and the rotating Auger carries the ice upward to the end of the Auger, where excess water is pressed out of the ice, as ice is extruded and broken into cubelet ice (compressed ice) and then pushed out into the Ice Storage bin through the Ice Spout.

Turning on the Power Switch on the Control Box starts the automatic and continuous ice making process. When the Ice Storage Bin is filled with ice, the Bin Control Switch, located on the top of the Storage Bin, shuts off the icemaking process. As the ice is removed from the Storage Bin, the Bin Control Switch gets reset automatically and restarts the ice making process.

Moving the Dispense Mode Switch to the "PORTION" position gives the user a portion-controlled mode, resulting in dispensing a certain amount of ice (See "10. CONTROLS AND ADJUSTMENTS") when the Push Button is pressed. Moving the switch to the "Continuous" position, gives a continuous dispensing mode, resulting in dispensing ice while the Push button is being pressed.

An agitator mechanism in the Storage Bin functions to get a smooth ice flow and to prevent the formation of an ice block.

III. INSTALLATION AND OPERATING INSTRUCTIONS

1. CHECKS BEFORE INSTALLATION

IMPORTANT

1. Remove shipping carton, tape(s) and packing. If packing material is left in the ice dispenser, it will not work properly.
2. Ensure all components, fasteners and thumbscrews are securely in place.

- 1) Remove the Upper Front, Top and Side Panels to prevent damage when installing the ice dispenser. (See "2. HOW TO REMOVE PANELS.")
- 2) Remove the package containing accessories.
- 3) Check that the refrigerant lines do not rub or touch lines or other surfaces, and that the fan blade turns freely.
- 4) Check that the Compressor is snug on all mounting pads.
- 5) See the Nameplate on the upper right part of the Rear Panel, and check that your voltage supplied corresponds with the voltage specified on the Nameplate.
- 6) Check that a spare fuse is provided as an accessory. For DCM-500BAF and DCM-500BWF, 1 A and 0.5 A fuses, and for DCM-750BAF and DCM-750BWF, 3 A and 0.5 A fuses are located on the Control Box.

2. HOW TO REMOVE PANELS - See Fig. 2

- a) Upper Front Panel. Remove the screw. Pull the bottom toward you.
- b) Top Panel. Remove the Thumb-screw. Lift up the front and push away.
- c) Apron Panel Remove the screws and pull toward you.
- d) Side Panel. Remove the screws and pull toward you.

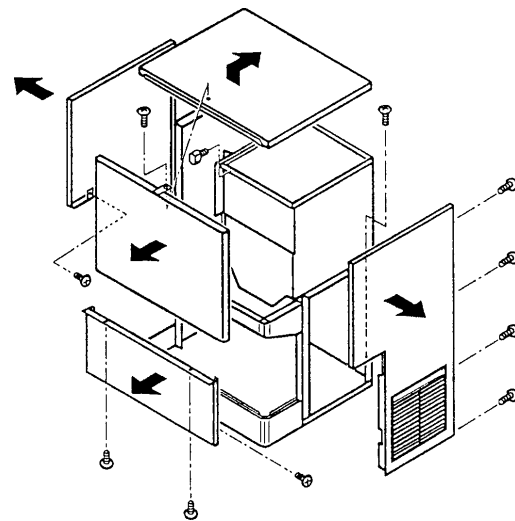


Fig. 2

3. LOCATION

WARNING

This ice dispenser is not intended for outdoor use. Normal operating ambient temperature should be within +45°F to +100°F; normal operating water temperature should be within +45°C to +90°C. Operation of the ice dispenser, for extended periods, outside of these normal temperature ranges may affect production capacity.

For best operating results:

- Ice dispenser should not be located next to ovens, grills or other high heat producing equipment.
- Location should provide a firm and level foundation for the equipment.
- Allow 6" clearance at rear, sides and top for proper air circulation and ease of maintenance and/or service should they be required.
- Avoid a site where dripping is not allowed.

4. SET UP

- 1) Unpack the ice dispenser and remove all shipping cartons, tapes and packing.
- 2) Provide four 6" adjustable legs and attach them to the bottom of the ice dispenser.

Note: When placing the ice dispenser on the Cabinet Stand, see "5. CABINET STAND."

- 3) Position the ice dispenser in the selected permanent site.
- 4) Level the ice dispenser in both the left-to-right and front-to-rear directions.

5. CABINET STAND

When placing the ice dispenser on the Cabinet Stand:

- 1) Attach four adjustable legs to the Cabinet Stand. (Cabinet Stand accessory)
- 2) Remove the protective plastic film from the panels.
- 3) Remove the Front Panel by lifting up and pulling toward you.
- 4) Place the ice dispenser on the Cabinet Stand.

Combination: SD-450 DCM-500BAF, BWF
SD-700 DCM-750BAF, BWF

- 5) You must secure the ice dispenser to the Cabinet Stand with four bolts (Cabinet Stand accessory).
6. Seal the seam all around between the dispenser and the Cabinet Stand with food grade silicone. See Fig. 3
- 7) Replace the Front Panel.

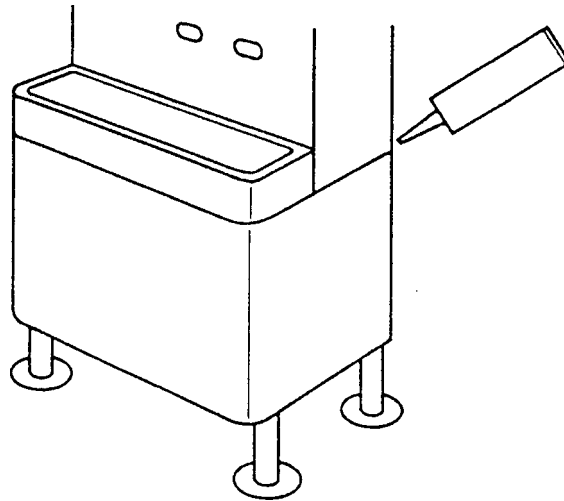


Fig. 3

DIMENSIONS WITH DCM-500BAF ON SD-450

Unit: inch (mm.)

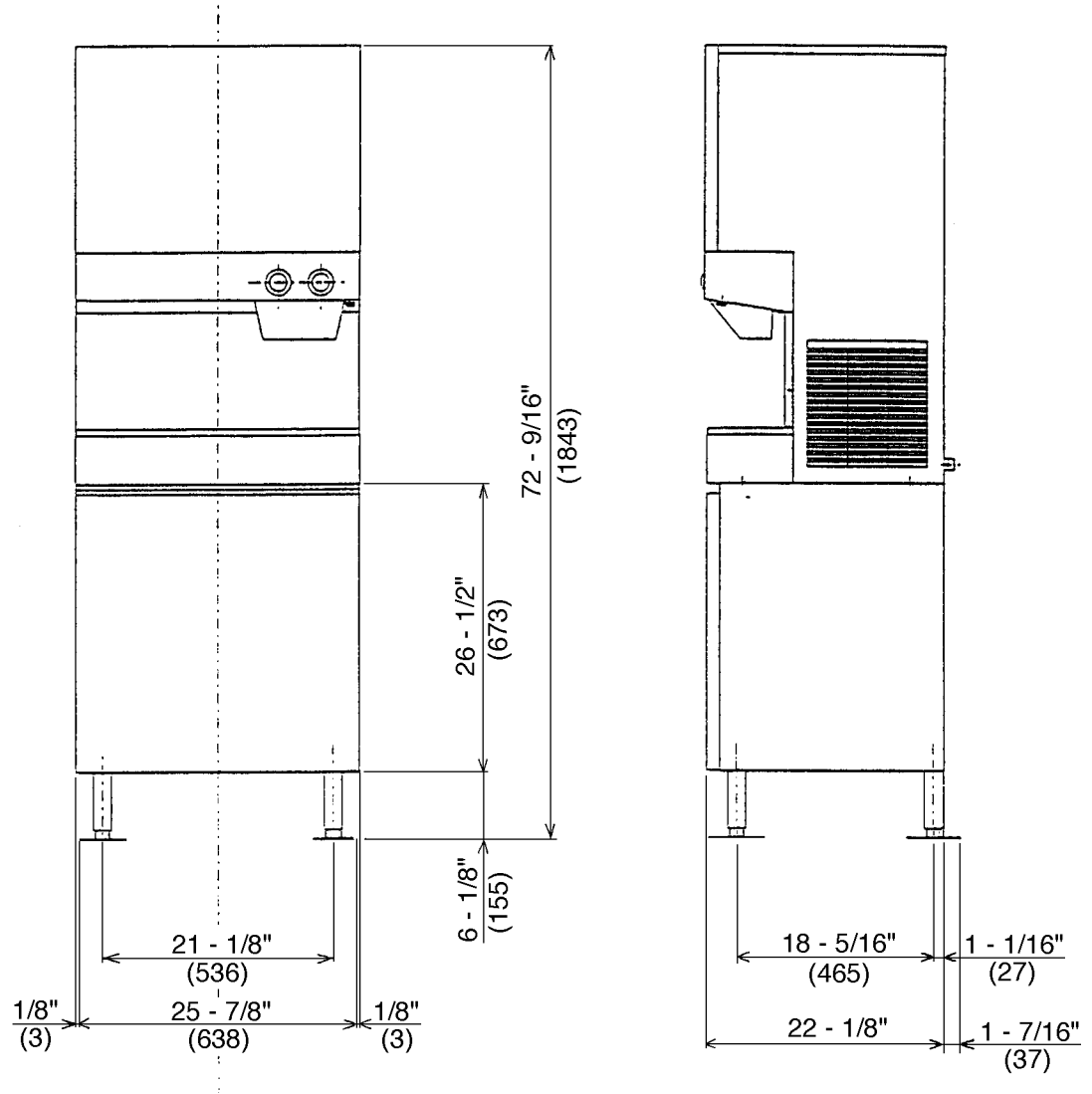


Fig. 4

DIMENSIONS WITH DCM-750BAF ON SD-700

Unit: inch (mm.)

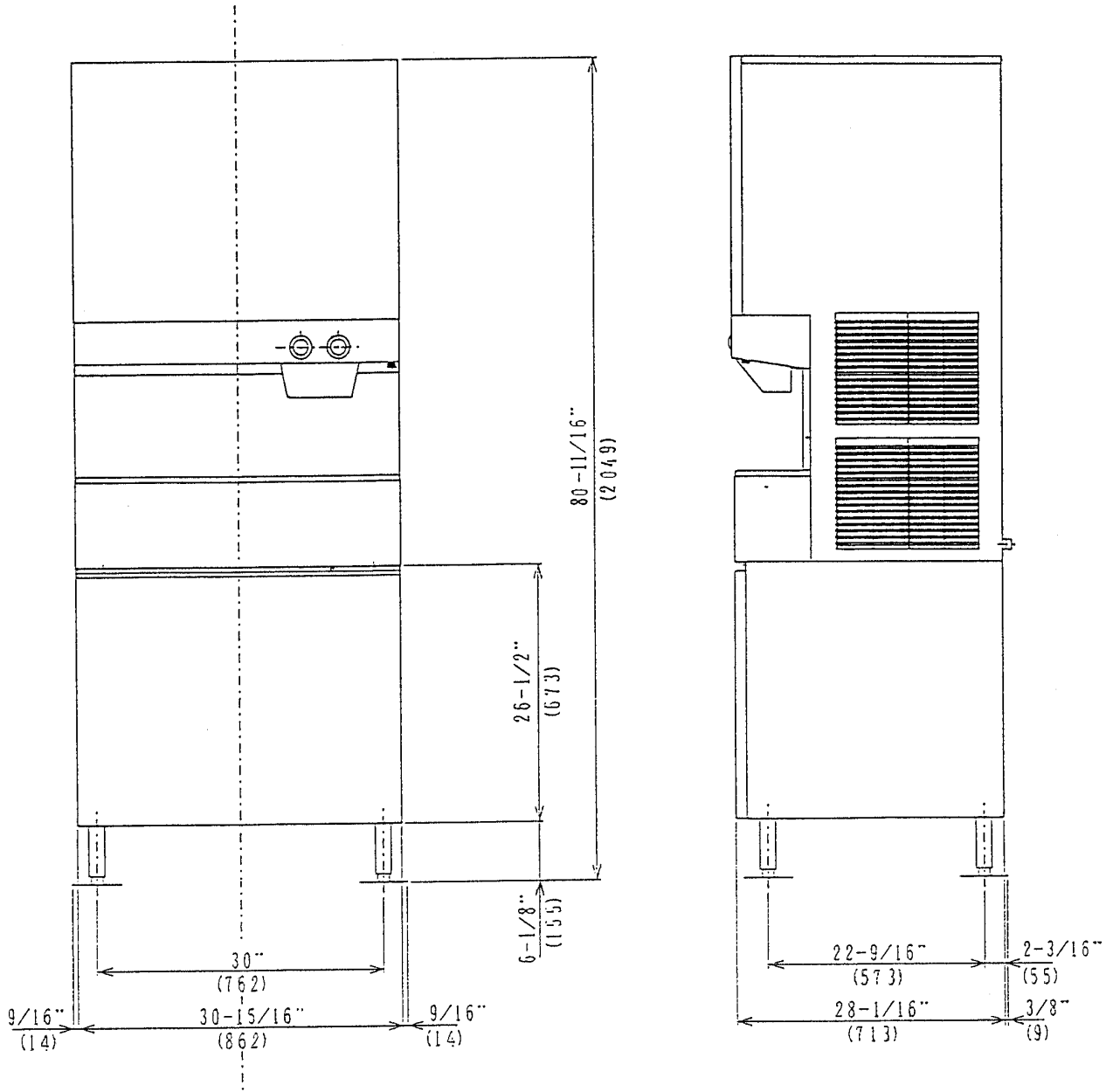


Fig. 5

6. ELECTRICAL CONNECTION - See Fig. 6

WARNING

This ice dispenser requires a ground that meets the national and local electrical code requirements. To prevent possible electrical shock to individuals or extensive damage to the equipment, install a proper ground wire to the ice dispenser.

- This ice dispenser must have a separate power supply or receptacle of proper capacity. See the Nameplate.
- Usually an electrical permit and services of a licensed electrician are required.

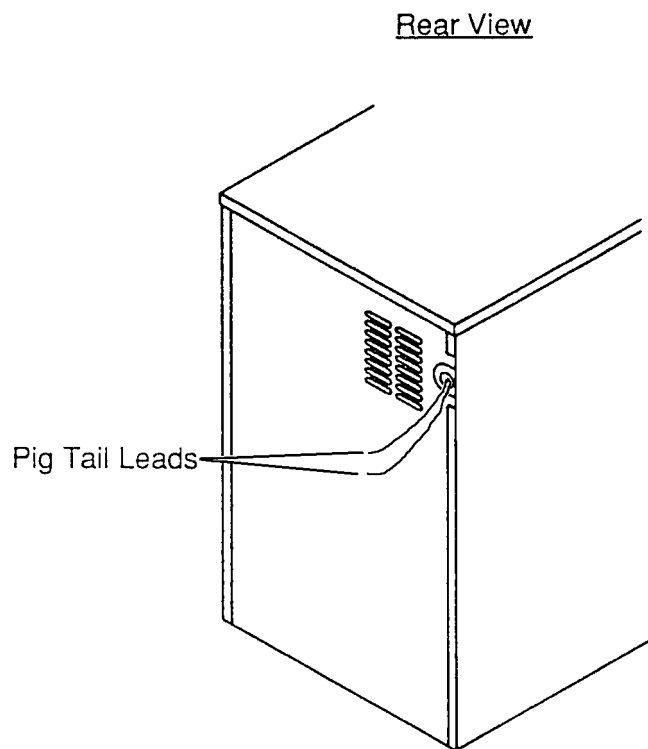


Fig. 6

7. WATER SUPPLY AND DRAIN CONNECTIONS - See Fig. 7 and 8

- Water supply inlet is 1/2" female pipe thread (FPT). A strainer should be installed with the clean-out plug down. Locate the strainer in the water supply line, next to the ice dispenser with the arrow on the strainer in the direction of the water flow.

Note: a) A Part Code 311166A01 strainer is an optional extra.
b) On water-cooled models, a 1/2" FPT is provided for the Condenser Water Inlet.

- A water supply line shut-off valve and drain valve should be installed.
- Water supply pressure should be a minimum of 10 PSIG and a maximum of 113 PSIG. If the pressure exceeds 113 PSIG, use a pressure reducing valve.
- Two drain outlets are 3/4" female pipe thread (FPT).

Note: On the water-cooled model, a 3/8" - 18 FPT (3/8" diameter, 18 threads/inch) is provided for the Condenser Drain Outlet.

- The drains must have 1/4" fall per foot on horizontal runs to get a good flow.
- Keep more than a 2" air gap between drain pipe ends or hose ends and a floor drain.
- A plumbing permit and services of a licensed plumber may be required in some areas.
- A back flow preventer may be required in some areas.
- Only cold drinking water will be used for this icemaker.

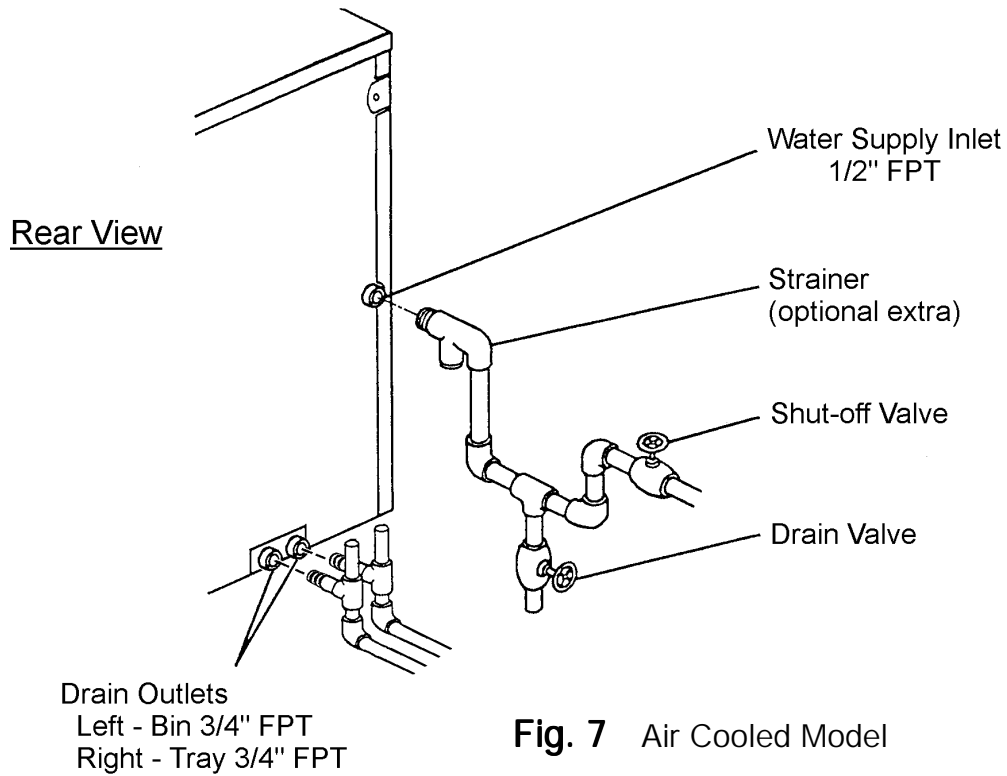


Fig. 7 Air Cooled Model

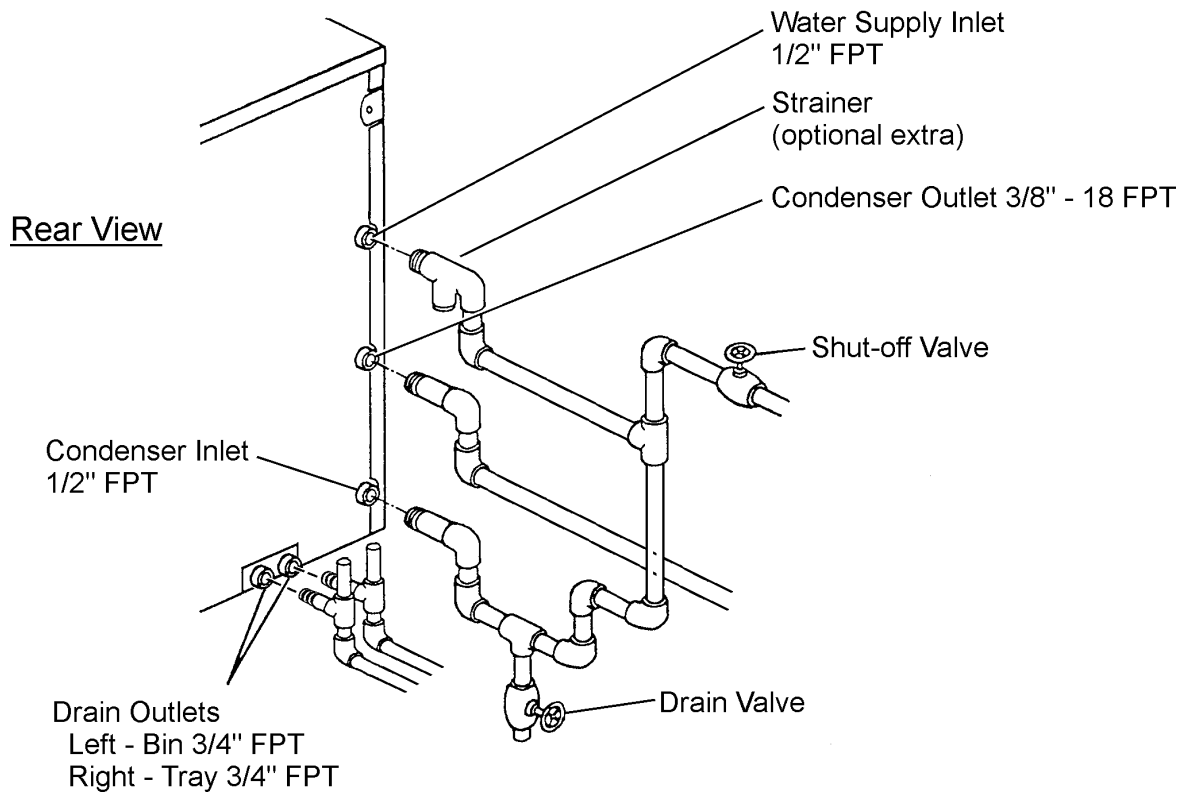


Fig. 8 Water Cooled Model

8. FINAL CHECK LIST

- 1) Is the ice dispenser level?
- 2) Is the ice dispenser in a site where the ambient temperature is within +45°F to +100°F all year around?
- 3) Is there at least a 6" clearance around the icemaker for maintenance or service?
- 4) Have all shipping tape(s), packing and cartons been removed from the ice dispenser?
- 5) Are all components, fasteners and thumbscrews securely in place?
- 6) If the ice dispenser is on a cabinet stand, has it been secured to the cabinet stand with four bolts?
- 7) Have all electrical and piping connections been made?
- 8) Has the power supply voltage been checked or tested against the Nameplate rating?
And has a proper ground been installed in the ice dispenser?
- 9) Are the Water Supply Line Shut-off Valve and Drain Valve installed? Has the water supply pressure been checked to ensure a minimum of 10 PSIG and a maximum of 113 PSIG?
- 10) Have the compressor hold-down bolts and refrigerant lines been checked against vibration and possible failure?
- 11) Has the Bin Control Switch been checked for correct operation? Move the Activator located on the inside of the Bin Top Panel. The Compressor should stop 90 seconds later, and the Gear Motor 150 seconds later.
- 12) Has the end user been given the instruction manual, and instructed on how to operate the ice dispenser and the importance of the recommended periodic maintenance?
- 13) Has the end user been given the name and telephone number of an authorized service agent?
- 14) Has the warranty tag been filled out and forwarded to the factory for warranty registration?

9. START UP - See Fig. 9

WARNING

1. All parts are factory-adjusted. Improper adjustments may result in failure.
2. If the unit is turned off, wait for at least 3 minutes before restarting the ice dispenser to prevent damage to the Compressor.

- 1) Clean the Storage Bin.
- 2) Open the Water Supply Line Shut-off Valve.
- 3) Turn on the power supply.
- 4) Remove the Front Panel.
- 5) Turn on the Power Switch on the Control Box.

This ice dispenser is provided with a Door Switch and will not operate without the Front Panel.

CAUTION

Be sure that the Control Switch, located at the bottom of the Middle Front Panel, is moved to the "ICE" position.

- 6) Replace the Front Panel in its correct position.
- 7) Check that water flows into the Water Supply and Freezer Assembly.
 - Water flows into the Reservoir through the Water Valve.
 - Water flows into the Freezer bottom through the Feeder Tubing.
 - The Float Switch trips to shut off or close the Water Valve.
- 8) Check the water supply and drain connections for water leaks.
- 9) After the Water Valve closes, the Gear Motor starts first, then the Compressor, and an automatic and continuous icemaking process starts.
- 10) In a few minutes, cubelet ice is extruded into the Storage Bin.

- 11) Check if there is any abnormal noise from the Compressor, Fan Motor or Gear Motor(s) after 30 minutes of running.
- 12) Move the Dispense Mode Switch, located at the bottom of the Middle Front Panel, to the "PORTION" or "CONTINUOUS" position.
- 13) Press the Push Button to dispense ice, and the dispensing mechanism will operate.
- 14) Press the Push Button to dispense water, and the Water Valve will open.

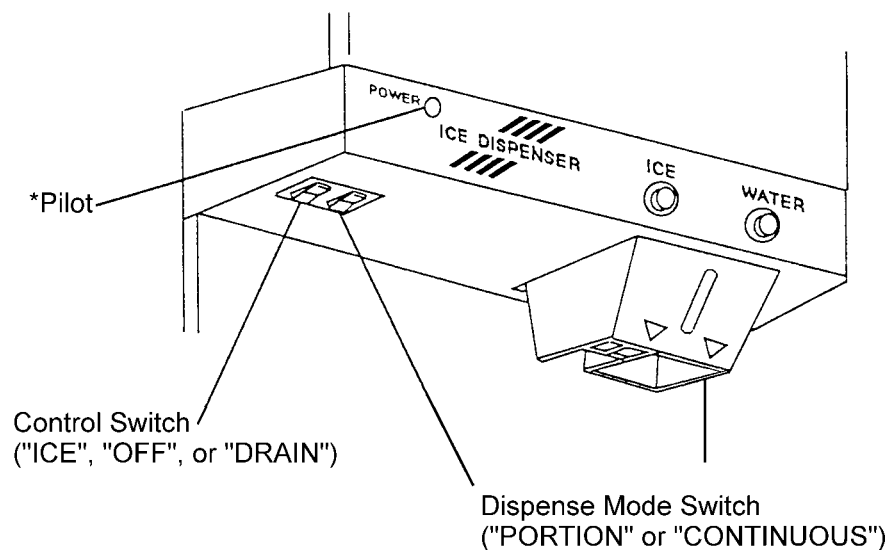
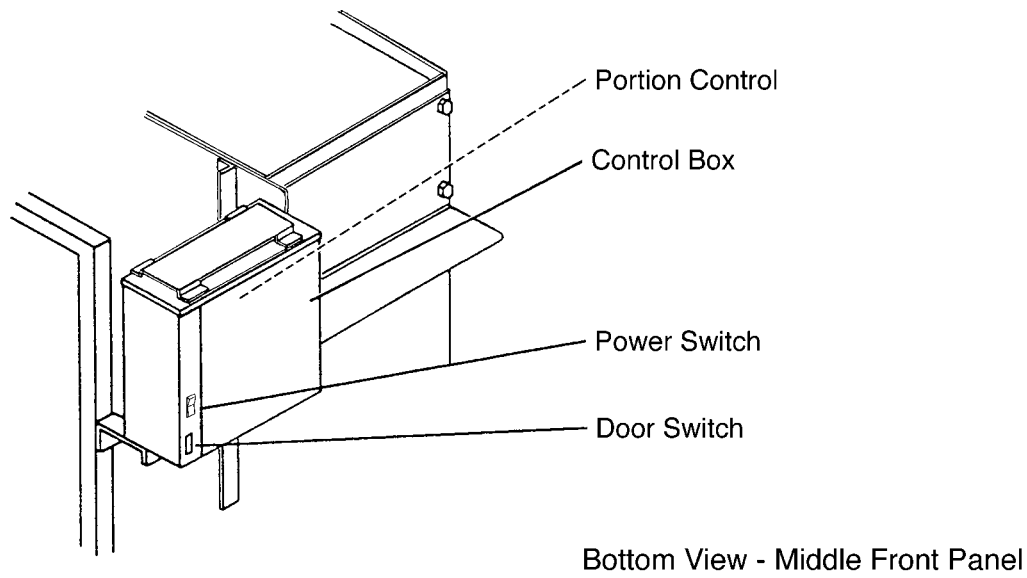


Fig. 9

* The Pilot Lamp (POWER) does not light up when the Front Panel is removed because an interlock device is provided.

IMPORTANT

Leaving ice in long storage may result in the formation of an ice block or bridge due to wet ice. Use the Control Switch to produce new ice at any time, using the following instructions:

1. Turn the Control Switch to "OFF" in advance so that the stored ice can be used up when your serving is over.
2. Turn the Control Switch to "ICE" a few hours before you need a full Storage Bin, because the Storage Bin takes time to fill.

10. CONTROLS AND ADJUSTMENTS - Portion Control

A Variable Resistor which controls the amount of ice dispensed is located on the Control Board.

The figures on the label indicate dispensing time (sec.).

Model	DCM-500BAF, BWF	DCM-750BAF, BWF
Approximate amount of ice (oz./sec.)	1.2-1.3	1.4-1.5

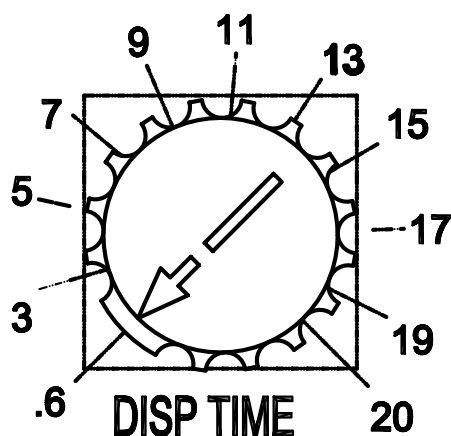


Fig. 10

Note: When shipped, the Portion Control is set at the minimum dispensing time (0.6 sec.)

Model	DCM-500BAF, BWF	about 0.72 oz.
	DCM-750BAF, BWF	about 0.84 oz.

11. PREPARING THE ICEMAKER FOR LONG STORAGE - See Fig. 11 and 12

WARNING

When shutting off the ice dispenser for an extended time, drain out all water from the water line and remove the ice from the Storage Bin. The Storage Bin should be cleaned and dried. Drain the ice dispenser to prevent damage to the water supply line at sub-freezing temperatures, using air or carbon dioxide gas. Shut off the ice dispenser until the proper ambient temperature is resumed.

- 1) Close the Water Supply Line Shut-off Valve.
- 2) Move the Dispense Mode Switch, on the bottom of the Middle Front Panel, to the "CONTINUOUS" position.
- 3) Press the Push Button to dispense ice, and remove all ice from the Storage Bin.
- 4) Move the Control Switch, on the bottom of the Middle Front Panel, to the "Drain" position and wait for about 15 minutes for the water system to drain.
- 5) Remove the Upper Front Panel.
- 6) Turn off the Power Switch.
- 7) Replace the Upper Front Panel and move the Control Switch back to the "ICE" position.

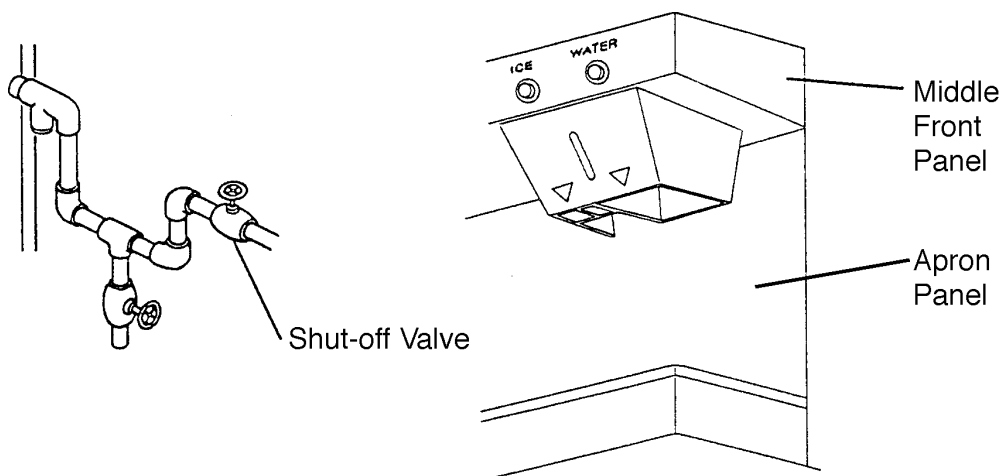


Fig. 11

IMPORTANT

Before operating the dispenser next time, check that the Water Supply Line Drain Valve is closed, and open the Water Supply Line Shut-off Valve.

Note: When shutting off the ice dispenser at sub-freezing temperatures, run the ice dispenser with the Water Supply Line Shut-off Valve closed, and blow out the water inlet line, by using air pressure. See Fig. 12.

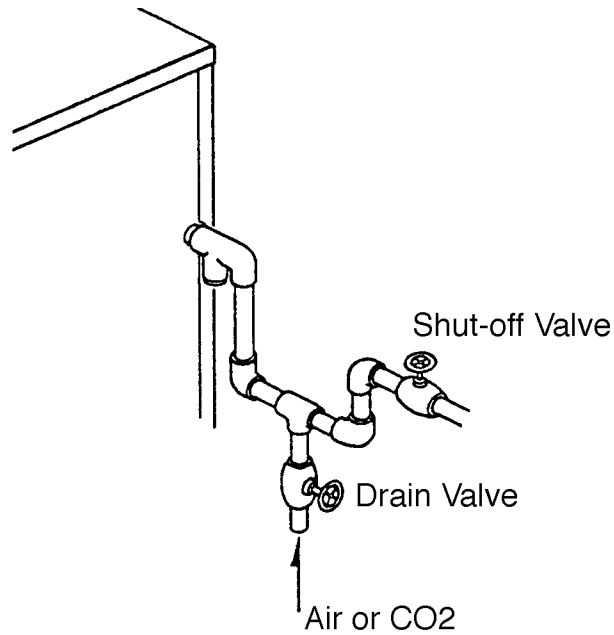


Fig. 12

V. CLEANING AND MAINTENANCE INSTRUCTIONS

IMPORTANT

Ensure all components, fasteners and thumbscrews are securely in place after any maintenance or cleaning is done to the equipment.

1. CLEANING INSTRUCTIONS

[a] WATER SYSTEM

WARNING

1. Clean and sanitize the ice dispenser Water System at least twice a year, by using a recommended cleaner and sanitizer.
2. To prevent injury to individuals, do not use any ammonia type cleaners.
3. Always wear liquid-proof gloves for safe handling of the cleaning and sanitizing solution, to prevent irritation in case of contact with skin.

- 1) Close the Water Supply Line Shut-off Valve.
- 2) Dilute approximately 9.6 fl. oz. of recommended cleaner, Hoshizaki "Scale Away" or "Lime-Away" (Economics Laboratory, Inc.) with 1.6 gal of water.
- 3) Move the Dispense Mode Switch, located at left bottom of Middle Front Panel, to the "CONTINUOUS" position.
- 4) Press the Push Button to dispense ice, and remove all ice from the Storage Bin.
- 5) Move the Control Switch, located next to the Dispense Mode Switch, to the "DRAIN" position, and wait for about 15 minutes for the water system to drain.
- 6) Move the Control Switch and the Power Switch to the "OFF" position, and remove the Front Panel and the Top Panel.
- 7) Remove the Water Valve above the Reservoir, and pour in the cleaning solution using a funnel. Be careful not to overfill.

8) Wait for 10 minutes before starting the icemaking process. Then turn on the Power Switch and move the Control Switch to the "ICE" position. Run the ice dispenser until it stops automatically.

Note: This ice dispenser will not run without the Front Panel.
Replace the Top Panel and the Front Panel.

9) Repeat Step 5).

10) Pour water into the Reservoir to rinse the cleaning solution, and drain the water system. See 5).

11) Dilute approximately 0.82 fl. oz. of a 5.25% Sodium Hypochlorite Solution with 1.6 gal. of water.

12) Pour the sanitizing solution into the Reservoir. Be careful not to overfill.

13) Wait for 10 minutes before starting the icemaking process. Turn on the Power Switch and move the Control Switch to the "ICE" position. Run the ice dispenser until it stops automatically.

14) Repeat Step 5).

15) Rinse out the sanitizing solution. See 10).

16) Replace the Water Valve, the Top Panel and the Front Panel.

Note: Be sure to replace the Water Valve Packing.

17) Open the Water Supply Line Shut-off Valve, turn on the Power Switch, and run the ice dispenser for about 30 minutes.

CAUTION

Do not use ice produced from the cleaning and sanitizing solution. Be sure none remains in the Storage Bin.

[b] STORAGE BIN - Following Cleaning Procedures for Water System

- 1) Remove the Front Cover of the Storage Bin.
- 2) Remove the thumbscrews, first from the vertical plane and then from the horizontal plane of the Motor Brackets. Move the Agitating Motor(s) and the Dispensing Motor toward you. Then remove the Agitator(s) and the Dispensing Auger. See Fig. 13.

Note: Models DCM-750BAF and BWF are provided with two Agitators, and models DCM-500BAF and BWF with one Agitator.

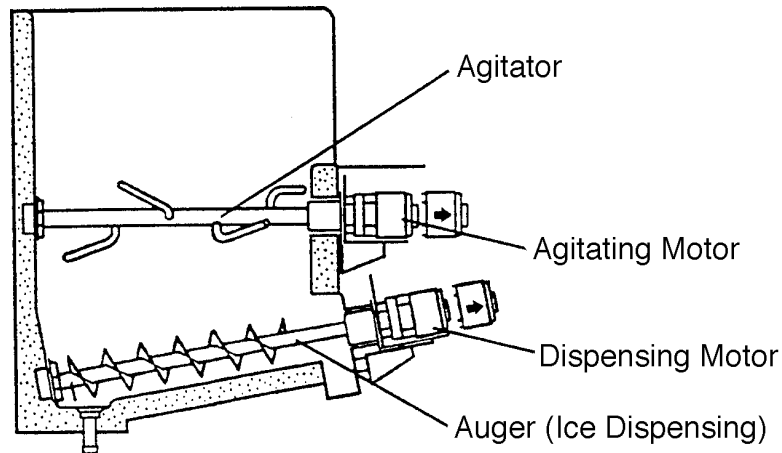


Fig. 13

- 3) Remove the Bin Control Bracket Assembly. See Fig. 14
- 4) Remove the Snap Pin, the Shaft and the Activator.
- 5) Remove the thumbscrews, the Spout-Bin and the Spout Gasket-Bin. See Fig 15. For models DCM-750BAF and BWF, remove the Ice Guide, Drain Pipe Holder and Drain Pipe in the Storage Bin as well.

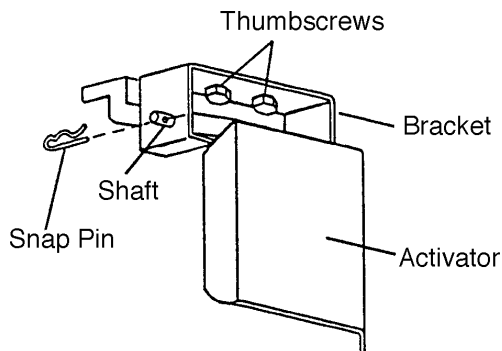


Fig. 14

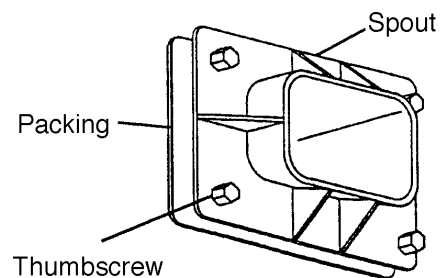


Fig. 15

6. Remove the Spout Cover and, the black Ice Dispensing Spout and the Water Dispensing Nozzle. See Fig. 16.

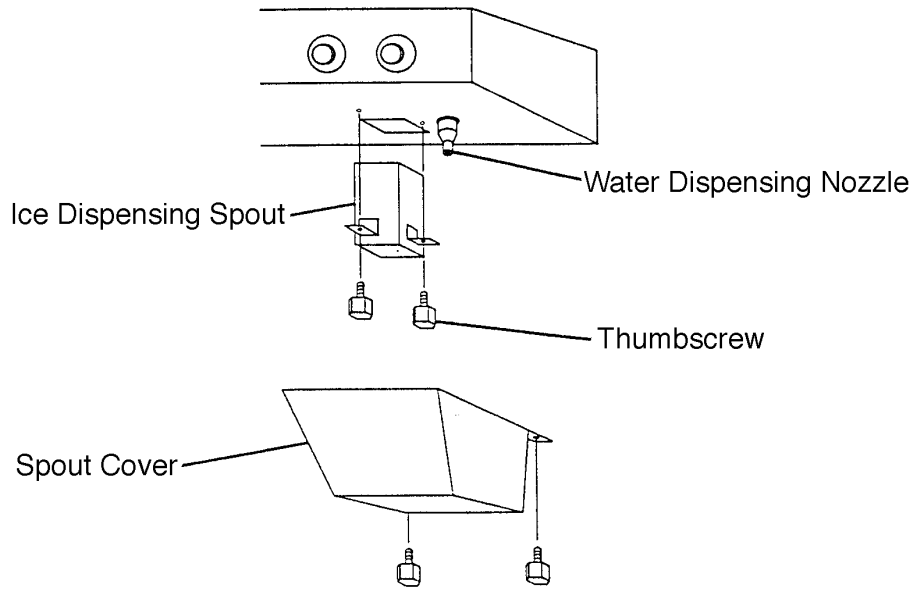


Fig. 16

- 7) Immerse the parts removed in the above steps 2) through 6) in the cleaning and sanitizing solution for about 15 minutes each.
- 8) Rinse these parts thoroughly with clean water.
- 9) Wipe thoroughly the Shutter located above the Ice Dispensing Spout.
- 10) Reassemble the Bin Control Bracket Assembly.
- 11) Place the Dispensing Auger and Agitator, Bin Control Bracket Assembly, Spout-Bin, Spout Gasket-Bin, black Ice Dispensing Spout, Water Dispensing Nozzle and Spout Cover (on models DCM-750BAF and BWF, also the Ice Guide and the Drain Pipe) back in position.
- 12) Pour warm water into the Storage Bin to melt the ice produced from the cleaning and sanitizing solution.
- 13) Clean the storage bin liner, and rinse thoroughly.
- 14) Place the Front Cover of the Storage Bin, the Top Panel and the Front Panel back in position.

2. MAINTENANCE

IMPORTANT

1. This ice dispenser must be maintained individually, referring to the instruction manual and labels provided with the ice dispenser.
2. To obtain optimum performance of this ice dispenser, the following consumable parts need periodic inspection, maintenance and replacement:

Extruding Head
Housing
Gear Motor
Auger
Mechanical Seal

These parts should be inspected at least once a year or every 10,000 hours of operation. Their service life, however, depends on water quality and environment. More frequent inspection and maintenance are recommended.

Consult with your local distributor about inspection and maintenance service. To obtain the name and phone number of your local distributor, call Hoshizaki Technical Support at 1-800-233-1940.

1) Stainless Steel Exterior

To prevent corrosion, wipe the exterior occasionally with a clean, soft cloth.

Use a damp cloth containing a neutral cleaner to wipe off oil or dirt build up.

2) Storage Bin

- The Storage Bin is for ice use only. Do not store anything else in the bin.
- Clean the bin liner using a neutral cleaner. Rinse thoroughly after cleaning.

3) Air Filter (Air-cooled model only) - See Fig. 17.

A plastic mesh air filter removes dirt or dust from the air and keeps the Condenser from getting clogged. As the filter becomes clogged, the ice dispenser's performance will be reduced. Check the filter at least twice a month. When clogged, use warm water and a neutral cleaner to wash the filter.

4) Condenser (Air-cooled model only)

Check the Condenser once a year, and clean if required by using a brush or vacuum cleaner. More frequent cleaning may be required depending on the location of the ice dispenser.

5) Water System

Drain out all water from the Water System at least once a week.

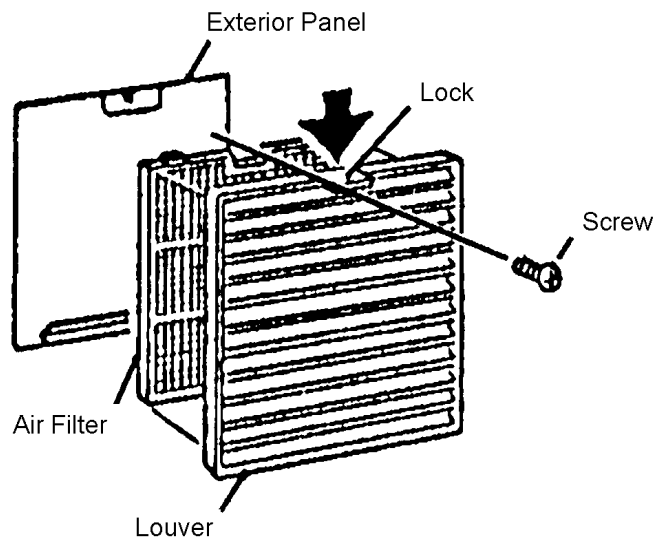


Fig. 17

HOSHIZAKI

HOSHIZAKI AMERICA, INC.

618 HIGHWAY 74 SOUTH
PEACHTREE CITY, GA 30269
U.S.A.
PHONE: 770-487-2331

91A2EA10C