
NO. 71150

ISSUED: SEPT. 8, 1999

REVISED: AUG. 27, 2002



**HOSHIZAKI
MODULAR FLAKER**

**MODEL
F-450MAF(-C)**

(FINAL) PARTS LIST

| | | |
|-----------------|-----|-----------|
| F-450MAF | H-0 | JUL. 1998 |
| | J-0 | FEB. 1999 |
| | K-0 | DEC. 1999 |
| | L-0 | DEC. 2000 |

| | | |
|-------------------|-----|-----------|
| F-450MAF-C | H-0 | FEB. 1998 |
| | J-0 | JAN. 1999 |
| | K-0 | DEC. 1999 |
| | L-0 | DEC. 2000 |

MATERIAL ABBREVIATIONS

ALUMINUM

AL = Aluminum

COPPER

CU = Copper

PLASTIC

ABS = Acrylonitrile -butadiene - styrene
 AC = Polyacetal
 EVA = Ethylene vinyl acetate
 PA = Polyamide = Nylon
 PC = Polycarbonate
 PE = Polyethylene
 PES = Polyester
 PETP = Polyethylene terephthalate = Tetlon
 PP = Polypropylene
 PS = Polystyrene
 PIFE = Polytetrafluoroethylene = Teflon
 PUR = Polyurethane
 PVC = Polyvinyl chloride

RUBBER

VN = Vinyl Nitrile
 EPDM = EP rubber
 NBR = Nitrile butadiene rubber
 NR = Natural rubber
 NP = Neoprene
 SI.R = Silicone rubber
 SY.R = Synthetic rubber
 EPH = Epichlorohydrin

STEEL

GS = Galvanized steel
 SS = Stainless steel
 PS = Plated steel
 PAS = Primed steel

AUXILIARY CODE

Ex.1

K-0
 ┌───┐
 │───┴─── Parts are the same as in the preceding year.
 └───┬─── "K" is the tenth in alphabetical order with "I" skipped. So, "K" indicates "2000".

(Note) - = Part deleted.

x = Part deleted and replaced by "o" part.

o = New part for "x" in the same auxiliary code.

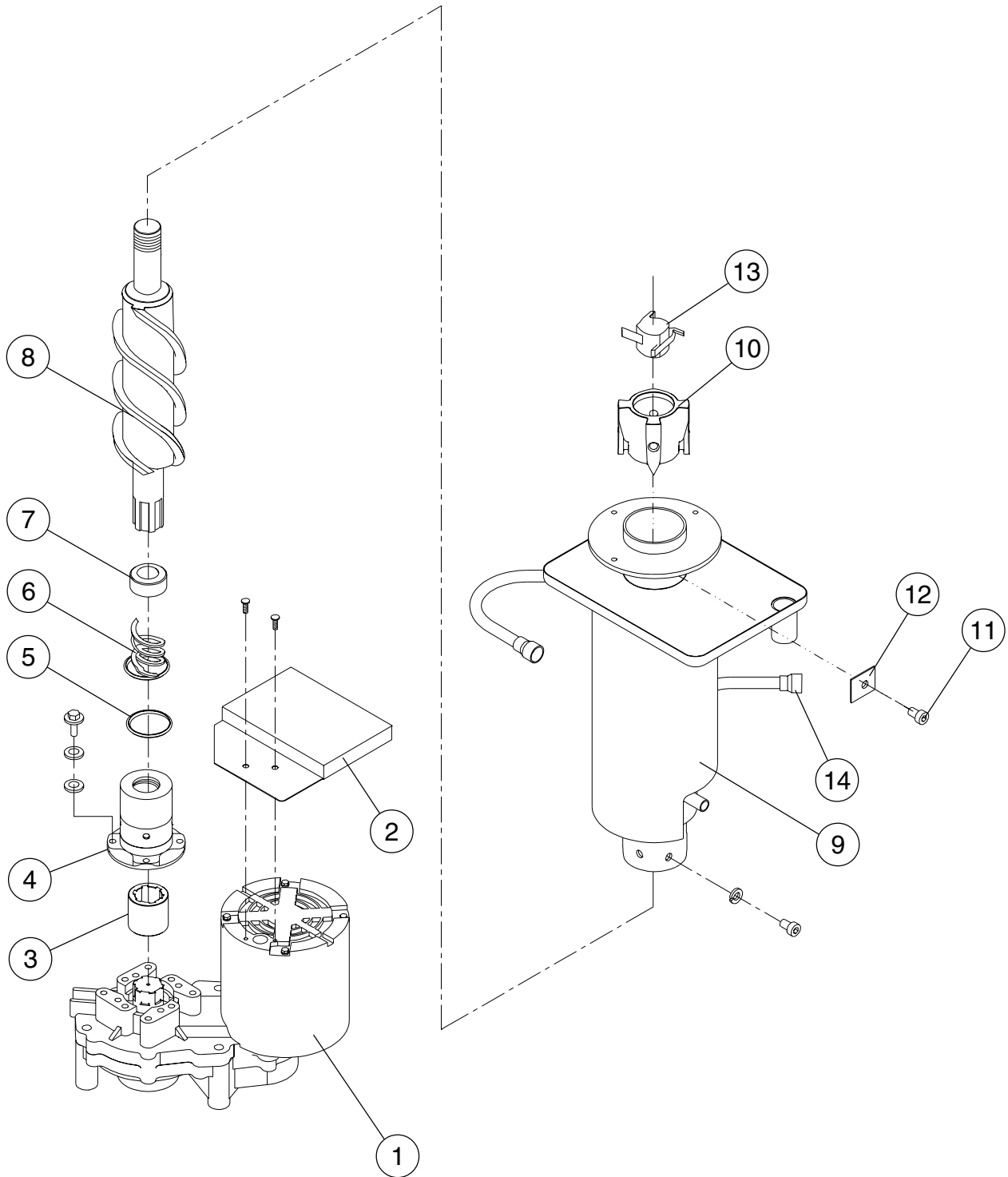
Ex.2

L-0
 ┌───┐
 │───┴─── "L" is the next in alphabetical order. So, "L" indicates "2001".

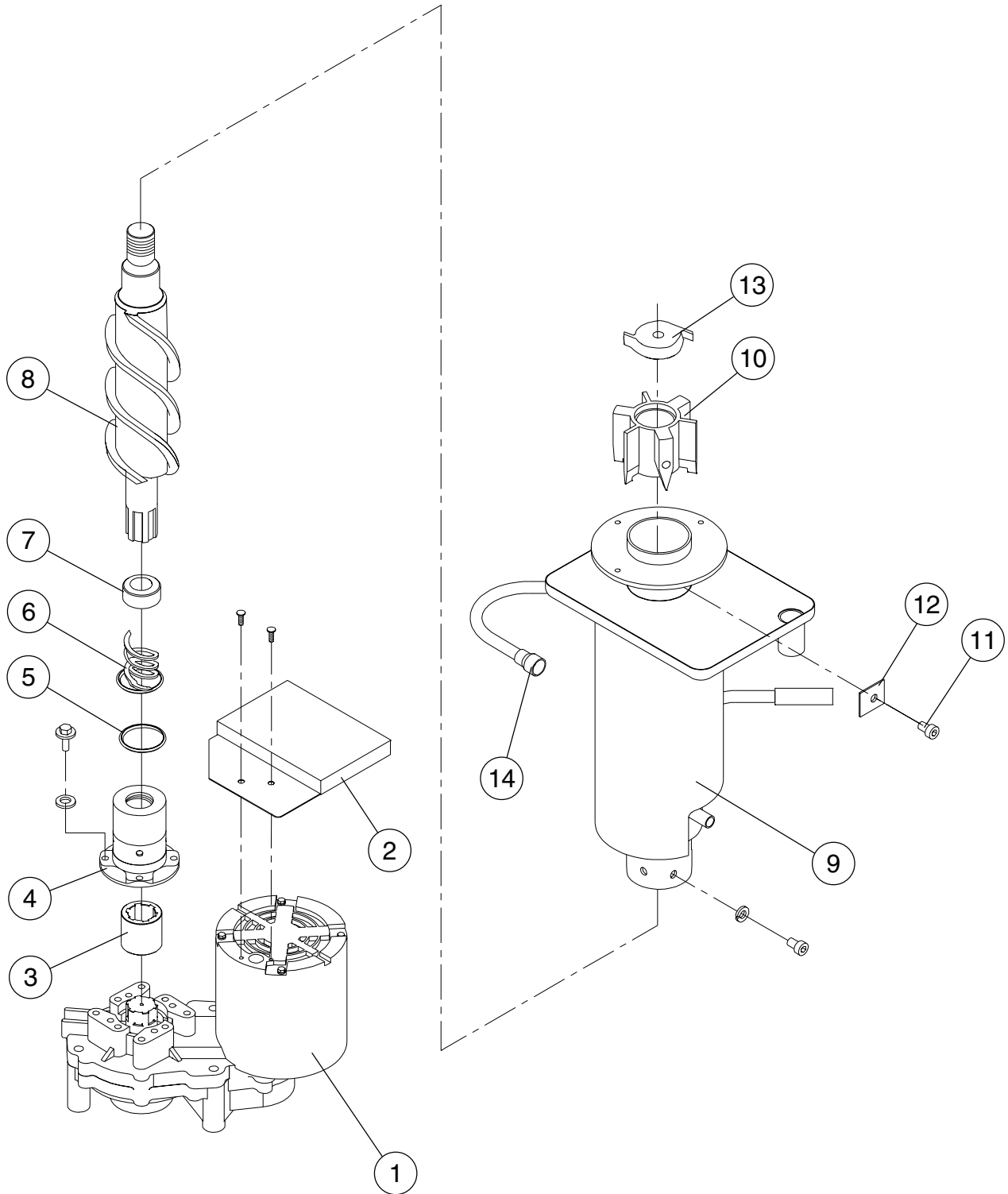
Ex.3

L-1
 ┌───┐
 │───┴─── Each time a part is changed non-interchangeably, in a year, this number advances.

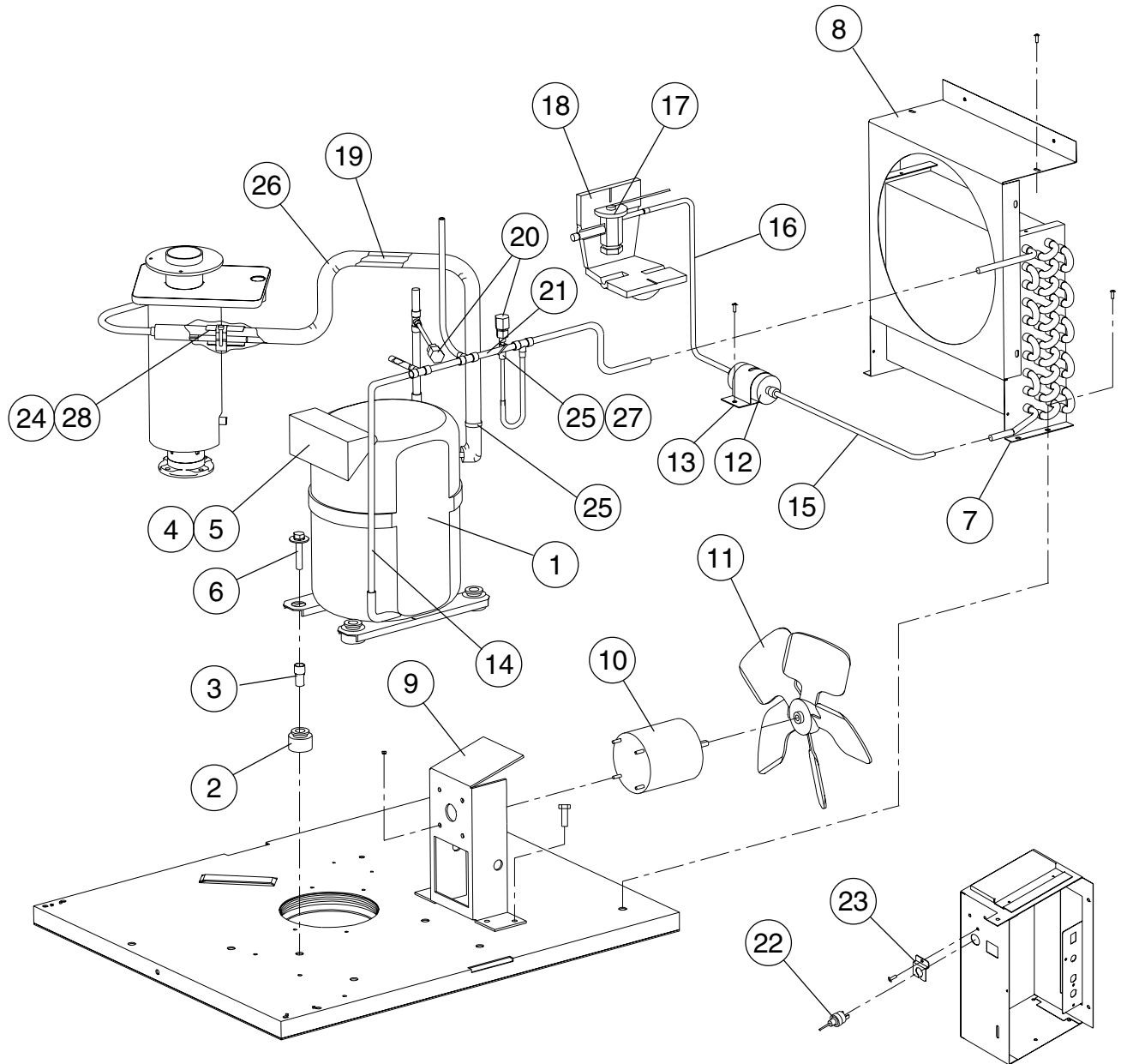
| MODEL: F-450MAF/-C TITLE: A. ICE FLAKER ASSEMBLY | | | | | | | | | |
|--|----------------------|--------------------------|-------------|-----------------|-----|-----|--|--|--|
| INDEX NO. | DESCRIPTION | MATERIAL OR MODEL NUMBER | PART NUMBER | REQUIRED NUMBER | | | | | |
| | | | | H-0 J-0 | K-0 | L-0 | | | |
| 1 | CHASSIS | GS | 2A1178G01 | 1 | 1 | 1 | | | |
| 2 | REAR PANEL | GS | 2A0916G01 | 1 | 1 | 1 | | | |
| | TRUSS HEAD SCREW | SS, 4 x 8 | 7C31-0408 | 2 | 2 | 2 | | | |
| | T2 SCREW | SS, 4 x 8 | 7P32-0408 | 2 | 2 | 2 | | | |
| 3 | JUNCTION BOX COVER | GS | 433410-01 | 1 | 1 | 1 | | | |
| | T2 SCREW | 4 x 8 | 7P31-0408 | 1 | 1 | 1 | | | |
| 4 | SIDE FRAME (R) | GS | 2A0917G01 | 1 | 1 | 1 | | | |
| | TRUSS HEAD SCREW | 4 x 8 | 7C31-0408 | 4 | 4 | 4 | | | |
| 5 | FRONT FRAME | GS | 2A0918G01 | 1 | 1 | 1 | | | |
| | TRUSS HEAD SCREW | 4 x 8 | 7C31-0408 | 4 | 4 | 4 | | | |
| 6 | BRACKET - RESERVOIR | GS | 2A0919G01 | 1 | 1 | 1 | | | |
| | T2 SCREW | 4 x 8 | 7P31-0408 | 4 | 4 | 4 | | | |
| 7 | BRACKET - GEAR MOTOR | GS | 3A0396G01 | 1 | 1 | 1 | | | |
| | HEX BOLT | SS, 8 x 12 | 7B02-0812 | 2 | 2 | 2 | | | |
| 8 | DRAIN PAN | ABS | 323765G02 | 1 | 1 | 1 | | | |
| | SOCKET HEX HEAD BOLT | SS, 8 x 95 | 7S12-0895 | 3 | 3 | 3 | | | |
| | SPRING WASHER | SS, 8 | 7L22-0800 | 3 | 3 | 3 | | | |
| 9 | STRAP | GS | 4A1262-01 | 1 | 1 | 1 | | | |
| | T3 SCREW | 5 x 12 | 7G31-0512 | 2 | 2 | 2 | | | |
| 10 | BUSHING | SB-1500-21 | 420470-06 | 4 | 4 | 4 | | | |
| 11 | BUSHING | SB-1500-21 | 420472-03 | 2 | 2 | 2 | | | |
| 12 | WIRE SADDLE | LWS-4NS | 4A0338-04 | 9 | 9 | 9 | | | |
| 13 | BARRIER | GS | 4A0688-01 | 1 | 1 | 1 | | | |
| | FT SCREW | SS, 4 x 8 | 7F32-0408 | 2 | 2 | 2 | | | |
| 14 | SCREW - GROUNDING | BRASS | 433304-02 | 1 | 1 | 1 | | | |
| 15 | SQUARE WASHER | BRASS | 433537-02 | 1 | 1 | 1 | | | |
| 16 | PACKING | EPDM | 427151-01 | 1 | 1 | 1 | | | |
| 17 | PACKING – SPOUT | EPDM | 321037-01 | 1 | 1 | 1 | | | |
| 18 | SPOUT | PC | 2A0915-01 | 1 | 1 | 1 | | | |
| 19 | THUMBSCREW | SS, ABS | 415949G04 | 3 | 3 | 3 | | | |



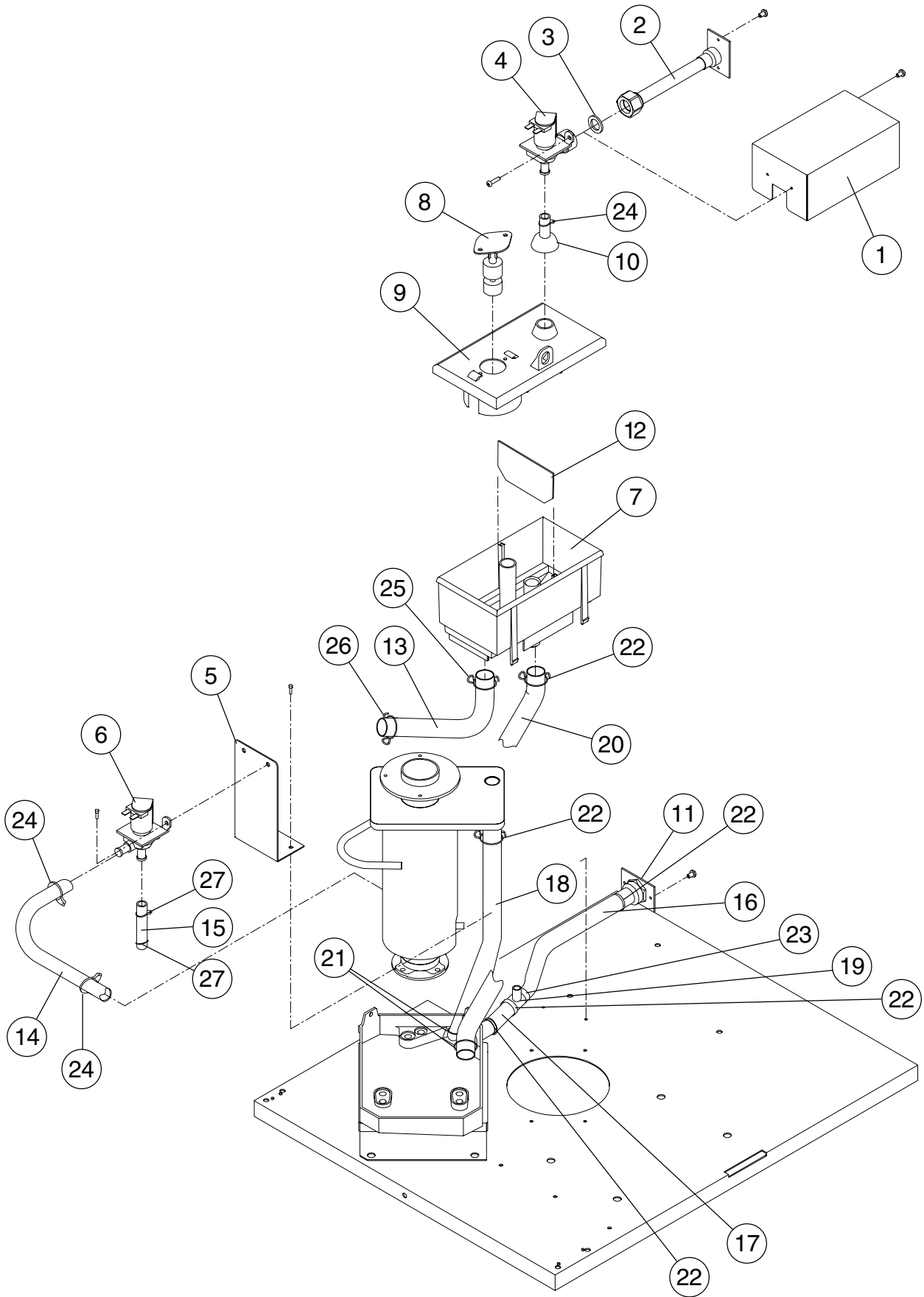
| MODEL: F-450MAF TITLE: B. ICE MAKING UNIT | | | | | | | | | | |
|---|-----------------------|------------------------------|-------------|-----------------|-----|-----|--|--|--|--|
| INDEX NO. | DESCRIPTION | MATERIAL OR MODEL NUMBER | PART NUMBER | REQUIRED NUMBER | | | | | | |
| | | | | H-0 J-0 | K-0 | L-0 | | | | |
| 1 | GEAR MOTOR | V06695AEAA | 4A0897-02 | 1 | 1 | x1 | | | | |
| | | - | 4A2193-01 | | | o1 | | | | |
| 2 | BARRIER - GEAR MOTOR | GS | 3A1037-01 | 1 | 1 | 1 | | | | |
| | FT SCREW | SS, 4 x 8 | 7F32-0408 | 2 | 2 | 2 | | | | |
| 3 | COUPLING – SPLINE | SS | 418316-01 | 1 | 1 | 1 | | | | |
| 4 | HOUSING | BRASS | 206013G03 | 1 | 1 | 1 | | | | |
| | HEX BOLT | GOLD STAINLESS, 6 x 20 | 7B02-0620 | 4 | 4 | - | | | | |
| | BOLT | - | 458660-01 | | | 4 | | | | |
| | PLAIN WASHER | SS, Ø6.4 x Ø12.5 x t 1.6 | 7W22-0616 | 4 | 4 | - | | | | |
| | SPRING WASHER | SS, 6 | 7L22-0600 | 4 | 4 | - | | | | |
| 5 | “O” RING | G40 | 7616-G040 | 1 | 1 | 1 | | | | |
| 6 | MECHANICAL SEAL | HK9A-MS φ22 | 432491-01 | 1 | 1 | 1 | | | | |
| 7 | RING (B) | NTKU-4 | 432494-01 | 1 | 1 | 1 | | | | |
| 8 | AUGER | SS | 341448G01 | 1 | 1 | 1 | | | | |
| 9 | EVAPORATOR | - | 340076G01 | 1 | x1 | | | | | |
| | | - | 2A1699G01 | | o1 | 1 | | | | |
| | SOCKET HEAD CAP SCREW | SS, 6 x 10 | 7S12-0610 | 4 | 4 | 4 | | | | |
| | SPLIT LOCK WASHER | SS, 6 | 7L22-0800 | 4 | 4 | 4 | | | | |
| 10 | EXTRUDING HEAD – 45F | SS | 340077G01 | 1 | 1 | 1 | | | | |
| 11 | SOCKET HEAD CAP SCREW | SS, 8 x 14 | 429121-01 | 3 | 3 | 3 | | | | |
| 12 | WASHER | SS | 453791-01 | 3 | 3 | 3 | | | | |
| 13 | CUTTER | SS | 453790-01 | 1 | 1 | 1 | | | | |
| 14 | REDUCER | COPPER | 420915-06 | 1 | 1 | 1 | | | | |
| | | | | | | | | | | |
| | | | | | | | | | | |
| | | | | | | | | | | |

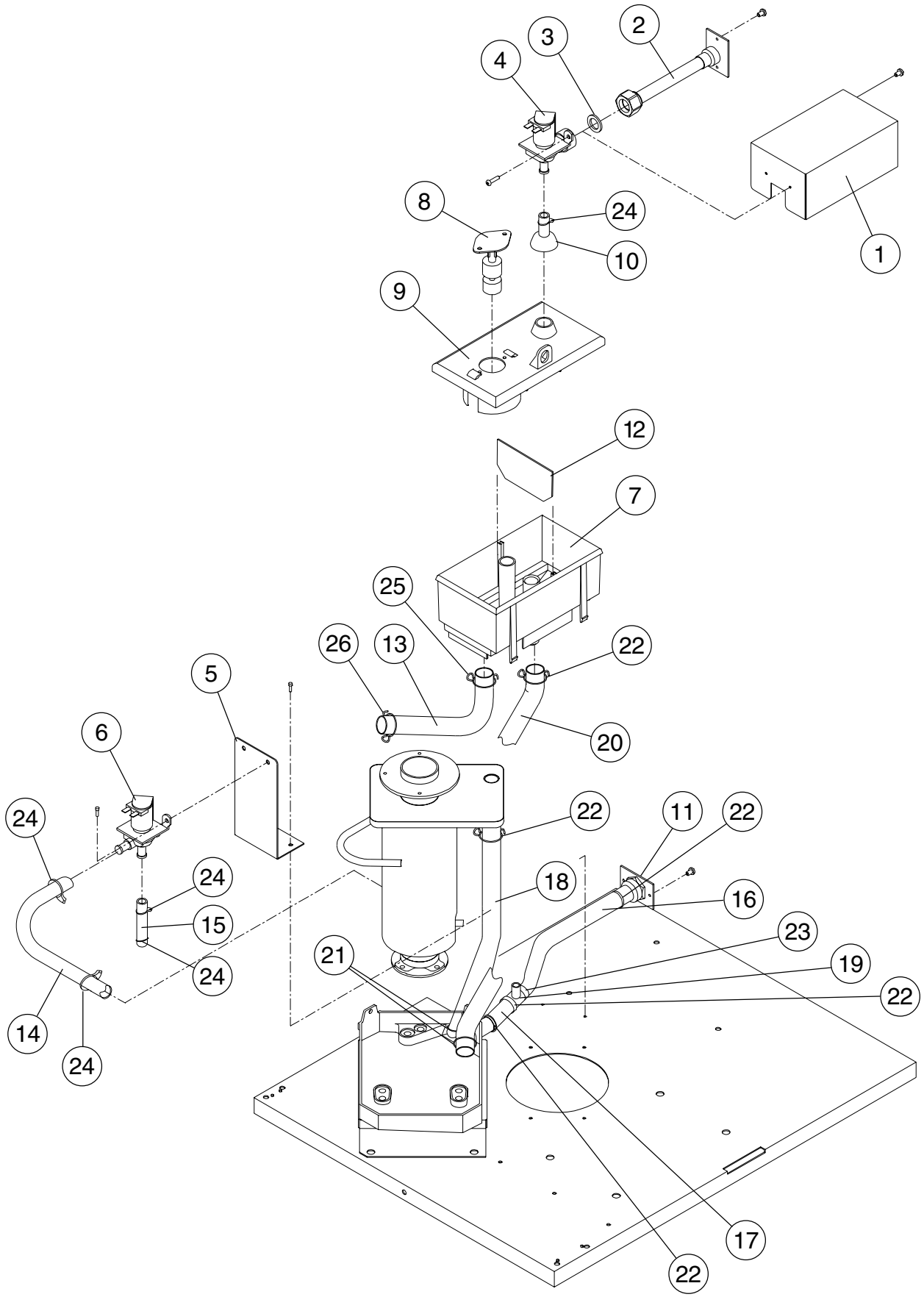


| MODEL: F-450MAF-C TITLE: B. ICE MAKING UNIT | | | | | | | | | | |
|---|-----------------------|------------------------------|-------------|-----------------|-----|-----|--|--|--|--|
| INDEX NO. | DESCRIPTION | MATERIAL OR MODEL NUMBER | PART NUMBER | REQUIRED NUMBER | | | | | | |
| | | | | H-0 J-0 | K-0 | L-0 | | | | |
| 1 | GEAR MOTOR | V06695AEAA | 4A0897-02 | 1 | 1 | x1 | | | | |
| | | - | 4A2193-01 | | | o1 | | | | |
| 2 | BARRIER - GEAR MOTOR | GS | 3A1037-01 | 1 | 1 | 1 | | | | |
| | FT SCREW | SS, 4 x 8 | 7F32-0408 | 2 | 2 | 2 | | | | |
| 3 | COUPLING – SPLINE | SS | 418316-01 | 1 | 1 | 1 | | | | |
| 4 | HOUSING | BRASS | 206013G03 | 1 | 1 | 1 | | | | |
| | HEX BOLT | GOLD STAINLESS, 6 x 20 | 7B02-0620 | 4 | 4 | - | | | | |
| | BOLT | - | 458660-01 | | | 4 | | | | |
| | PLAIN WASHER | SS, Ø6.4 x Ø12.5 x t 1.6 | 7W22-0616 | 4 | 4 | - | | | | |
| | SPRING WASHER | SS, 6 | 7L22-0600 | 4 | 4 | - | | | | |
| 5 | “O” RING | G40 | 7616-G040 | 1 | 1 | 1 | | | | |
| 6 | MECHANICAL SEAL | HK9A-MS | 432491-01 | 1 | 1 | 1 | | | | |
| 7 | RING (B) | NTKU-4 | 432494-01 | 1 | 1 | 1 | | | | |
| 8 | AUGER | SS | 341448G01 | 1 | 1 | 1 | | | | |
| 9 | EVAPORATOR | - | 340076G01 | 1 | x1 | | | | | |
| | | - | 2A1699G01 | | o1 | 1 | | | | |
| | SOCKET HEAD CAP SCREW | SS, 6 x 10 | 7S12-0610 | 4 | 4 | 4 | | | | |
| | SPLIT LOCK WASHER | SS, 6 | 7L22-0800 | 4 | 4 | 4 | | | | |
| 10 | EXTRUDING HEAD – 45N | SS | 327141G01 | 1 | 1 | 1 | | | | |
| 11 | SOCKET HEAD CAP SCREW | SS, 8 x 14 | 429121-01 | 3 | 3 | 3 | | | | |
| 12 | WASHER | SS | 453791-01 | 3 | 3 | 3 | | | | |
| 13 | CUTTER | SS | 440905-01 | 1 | 1 | 1 | | | | |
| 14 | REDUCER | COPPER | 420915-06 | 1 | 1 | 1 | | | | |
| | | | | | | | | | | |
| | | | | | | | | | | |

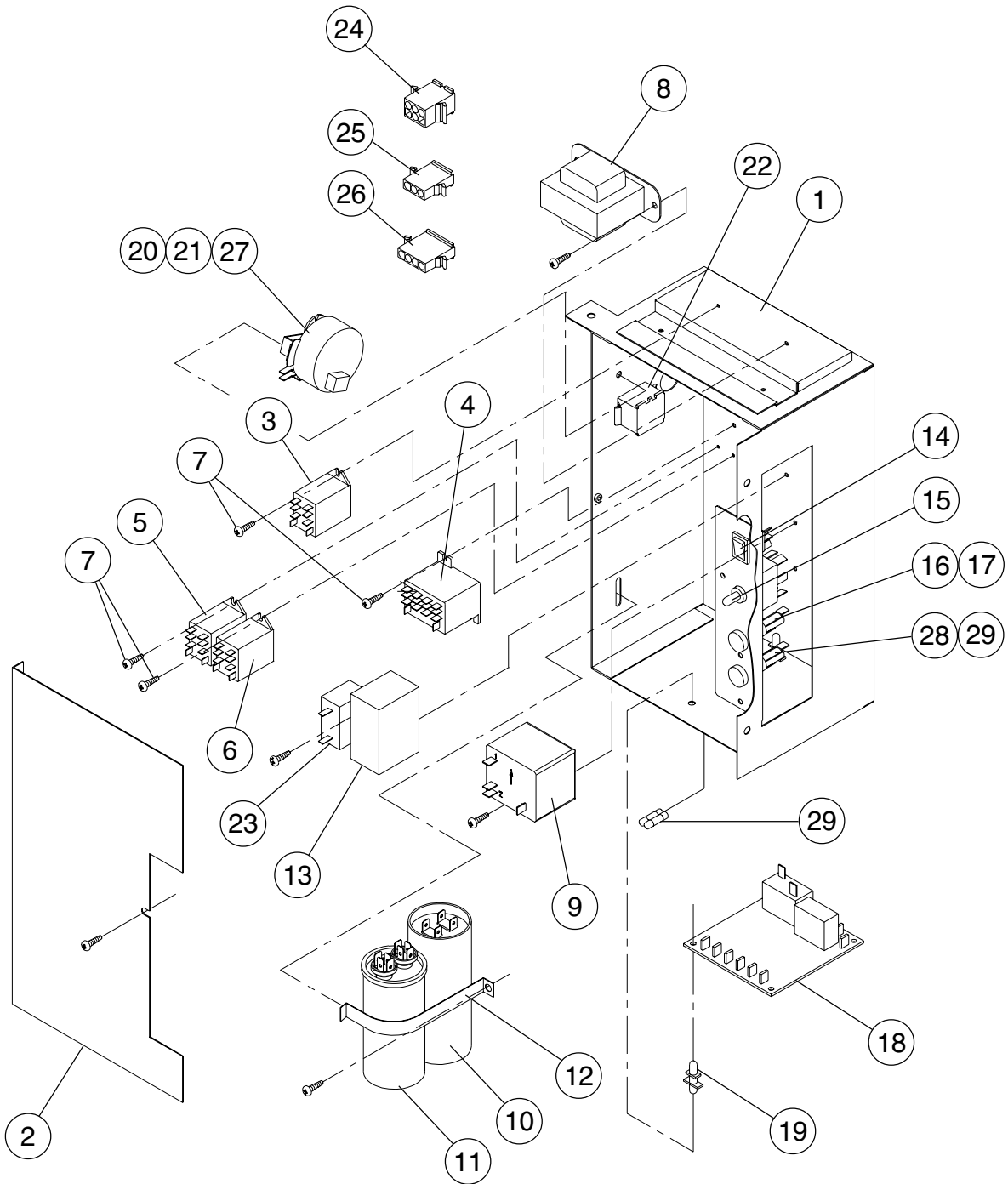


| MODEL: F-450MAF/-C TITLE: C. REFRIGERATION UNIT | | | | | | | | | | |
|---|-----------------------------|--------------------------|-------------|-----------------|-----|-----|--|--|--|--|
| INDEX NO. | DESCRIPTION | MATERIAL OR MODEL NUMBER | PART NUMBER | REQUIRED NUMBER | | | | | | |
| | | | | H-0 J-0 | K-0 | L-0 | | | | |
| 1 | COMPRESSOR | - | 4A1272-01 | 1 | 1 | x1 | | | | |
| | | - | 4A2300-01 | | | o1 | | | | |
| 2 | GROMMET | 027-0073-00 | 434403-01 | 4 | 4 | 4 | | | | |
| 3 | SPACER | 027-0072-02 | 434404-01 | 4 | 4 | 4 | | | | |
| 4 | PROTECTOR | 071-0527-04 | 4A1805-01 | 1 | 1 | 1 | | | | |
| 5 | PROTECTOR HOLDER | - | 437339-01 | 1 | 1 | 1 | | | | |
| 6 | BOLT | 8 x 45 | 437889-01 | 4 | 4 | 4 | | | | |
| 7 | CONDENSER | 602380 | 2A0923-01 | 1 | 1 | 1 | | | | |
| | FT SCREW | SS, 4 x 8 | 7F32-0408 | 3 | 3 | 3 | | | | |
| 8 | SHROUD | GS | 2A0908-01 | 1 | 1 | 1 | | | | |
| | T2 SCREW | 4 x 8 | 7P31-0408 | 6 | 6 | 6 | | | | |
| 9 | FAN MOTOR BRACKET | GS | 3A0828-01 | 1 | 1 | 1 | | | | |
| | HEX HEAD BOLT W/WASHER | SS, 5 x 12 | 7B0230512 | 4 | 4 | 4 | | | | |
| 10 | FAN MOTOR | U90 B1 7191-1031 | 440911-01 | 1 | 1 | 1 | | | | |
| | SELF-LOCKING NUT | No. 8-32 | 7N2110832 | 4 | 4 | 4 | | | | |
| 11 | FAN BLADE | AD10CW32 | 444898-01 | 1 | 1 | 1 | | | | |
| 12 | DRIER | A-TCH-032S | 4A1113-01 | 1 | 1 | 1 | | | | |
| 13 | DRIER BRACKET | GS | 445847-01 | 1 | 1 | 1 | | | | |
| | FT SCREW | SS, 4 x 8 | 7F32-0408 | 1 | 1 | 1 | | | | |
| 14 | COPPER TUBE (A) – HIGH SIDE | COPPER | 2A0927G01 | 1 | 1 | 1 | | | | |
| 15 | COPPER TUBE (B) – HIGH SIDE | COPPER | 4A1289-01 | 1 | 1 | 1 | | | | |
| 16 | COPPER TUBE (C) – HIGH SIDE | COPPER | 3A0847-01 | 1 | 1 | 1 | | | | |
| 17 | EXPANSION VALVE | AN15C | 4A1117-01 | 1 | 1 | 1 | | | | |
| 18 | EXPANSION VALVE COVER | PE FOAM | 4A1168-01 | 1 | 1 | 1 | | | | |

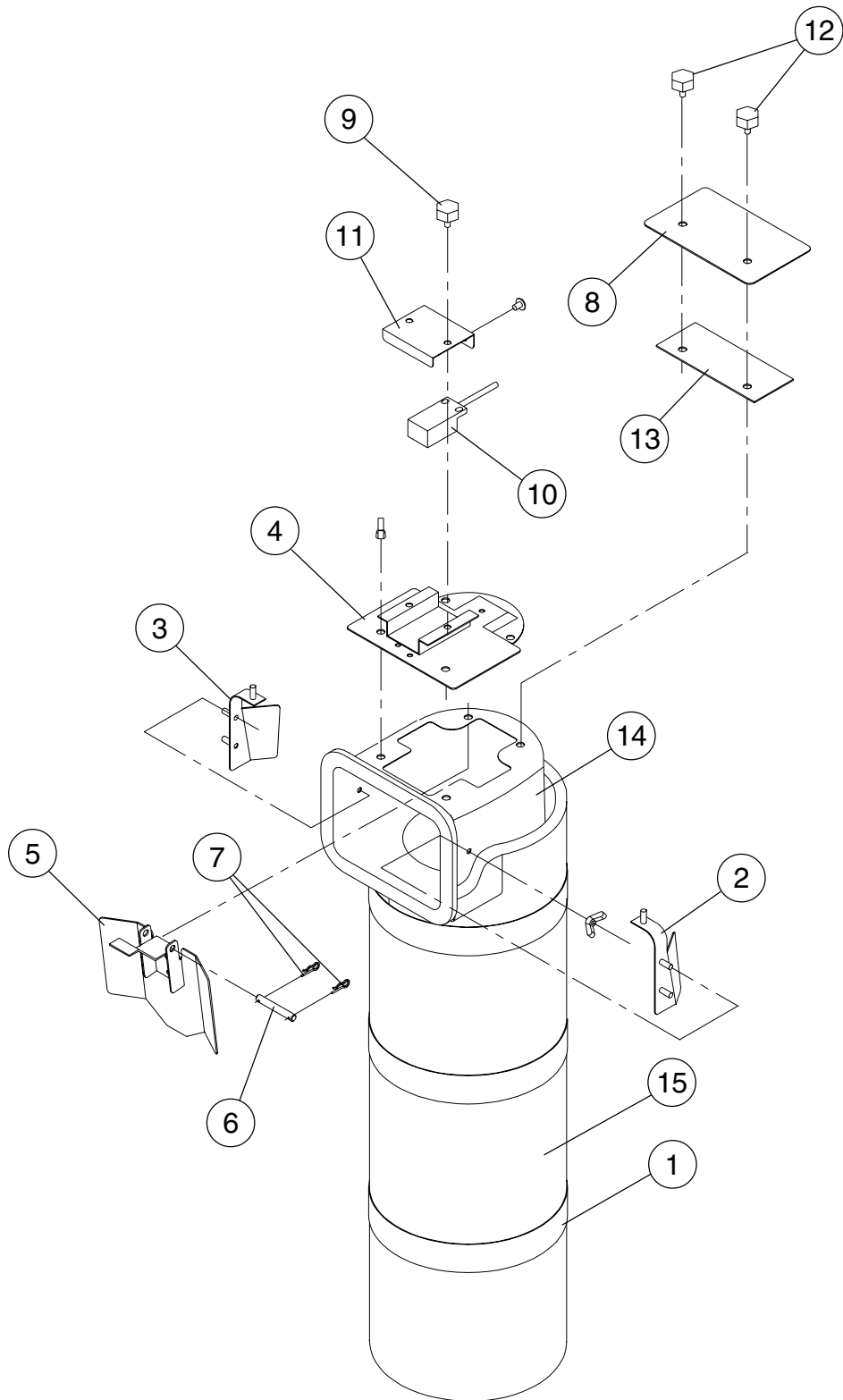


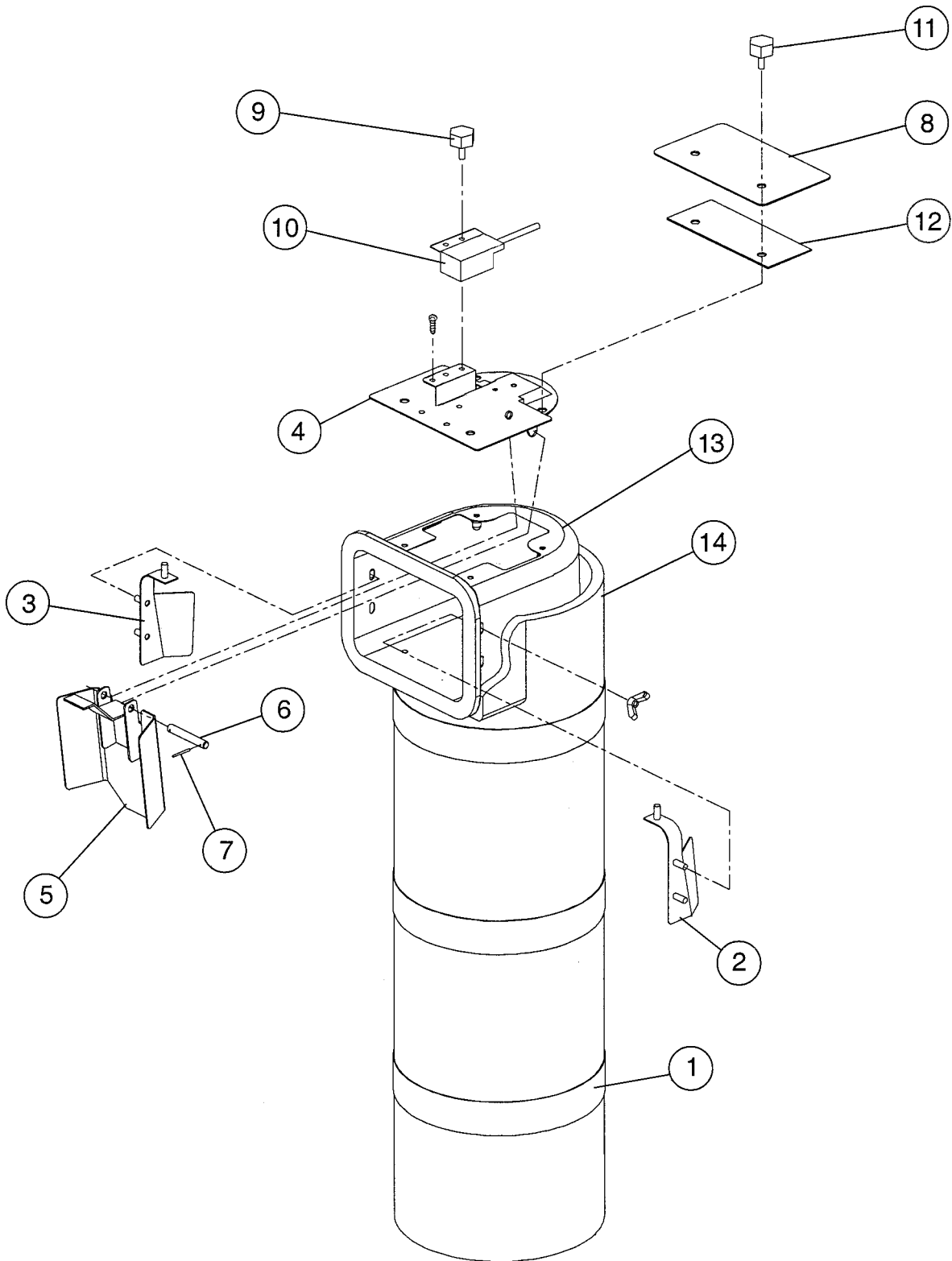


| MODEL: F-450MAF/-C TITLE: D. WATER CIRCUIT | | | | | | | | | | |
|--|-----------------------|--------------------------|-------------|-----------------|-----|-----|--|--|--|--|
| INDEX NO. | DESCRIPTION | MATERIAL OR MODEL NUMBER | PART NUMBER | REQUIRED NUMBER | | | | | | |
| | | | | H-0 J-0 | K-0 | L-0 | | | | |
| 1 | WATER VALVE BRACKET | GS | 3A0553-01 | 1 | 1 | 1 | | | | |
| | T2 SCREW | 4 x 8 | 7P31-0408 | 3 | 3 | 3 | | | | |
| 2 | WATER SUPPLY PIPE | COPPER | 4A0891G01 | 1 | 1 | 1 | | | | |
| | T2 SCREW | 4 x 8 | 7P31-0408 | 4 | 4 | 4 | | | | |
| 3 | WASHER | K-59963 | 4A0867-01 | 1 | 1 | 1 | | | | |
| 4 | WATER VALVE | S-30 | 4A0865-01 | 1 | 1 | 1 | | | | |
| 5 | DRAIN VALVE BRACKET | GS | 4A1264-01 | 1 | 1 | 1 | | | | |
| | FT SCREW | SS, 4 x 8 | 7F32-0408 | 2 | 2 | 2 | | | | |
| 6 | WATER VALVE | S-60N | 4A0866-01 | 1 | x1 | | | | | |
| | | - | 4A2077-01 | | o1 | 1 | | | | |
| | T2 SCREW | SS, 4 x 8 | 7P32-0408 | 4 | 4 | 4 | | | | |
| 7 | RESERVOIR | PP | 2A0753-01 | 1 | 1 | 1 | | | | |
| 8 | FLOAT SWITCH | TW-1221-101 | 435490-01 | 1 | 1 | 1 | | | | |
| 9 | RESERVOIR COVER | PP | 214810-01 | 1 | 1 | 1 | | | | |
| 10 | INLET-RESERVOIR | SI.R. | 4A0869-01 | 1 | 1 | 1 | | | | |
| 11 | FITTING | COPPER | 4A0776G01 | 1 | 1 | 1 | | | | |
| 12 | SEPARATOR – RESERVOIR | ABS | 4A1255-01 | 1 | 1 | 1 | | | | |
| 13 | RESERVOIR HOSE | EPDM | 4A1165-05 | 1 | 1 | 1 | | | | |
| 14 | VINYL HOSE | L=230 | 7730-0912 | 1 | 1 | x1 | | | | |
| | SILICONE HOSE | L=230 | 7730I3896 | | | o1 | | | | |
| 15 | VINYL HOSE | L=65 | 7730-1114 | 1 | 1 | x1 | | | | |
| | | L=65 | 7716-0913 | | | o1 | | | | |
| 16 | VINYL HOSE | L=270 | 7716-2025 | 1 | 1 | 1 | | | | |
| 17 | VINYL HOSE | L=80 | 7716-2025 | 1 | 1 | 1 | | | | |
| 18 | VINYL HOSE | L=355 | 7725-1923 | 1 | 1 | 1 | | | | |
| 19 | TEE | PVC | 4A1331-01 | 1 | 1 | 1 | | | | |
| 20 | SILICONE HOSE | L=340 | 7730-1822 | 1 | 1 | 1 | | | | |
| 21 | CABLE TIE | CV-150 | 7920-0003 | 2 | 2 | 2 | | | | |

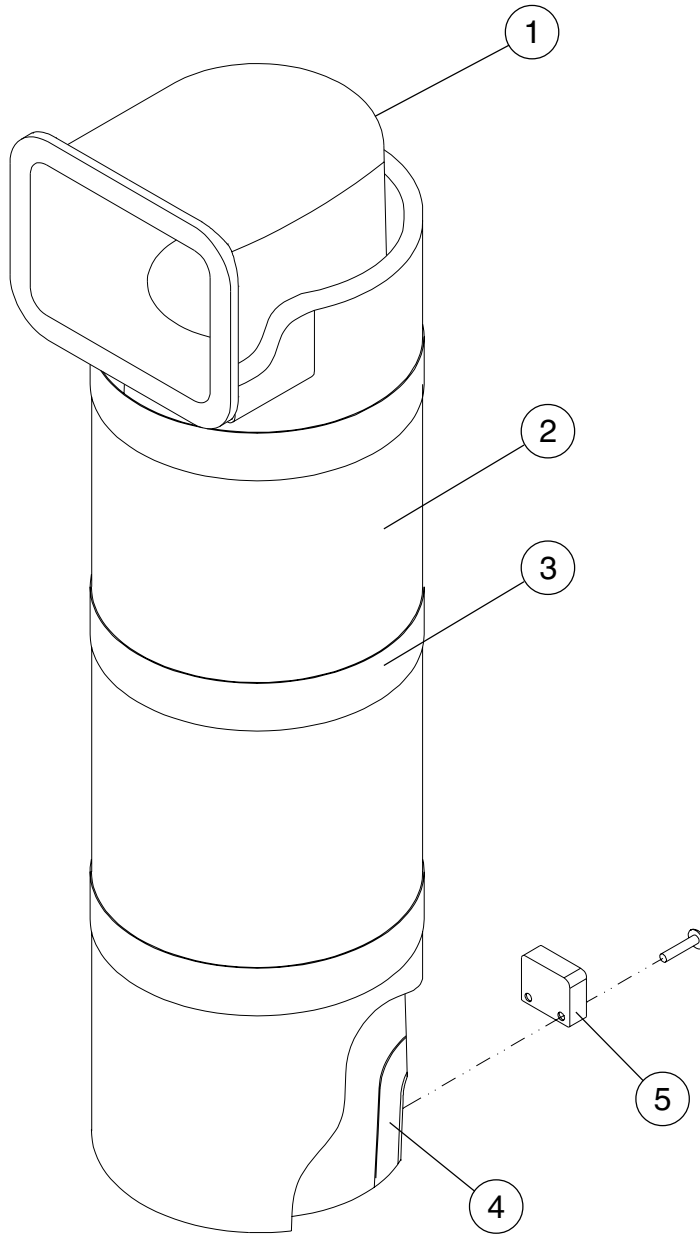


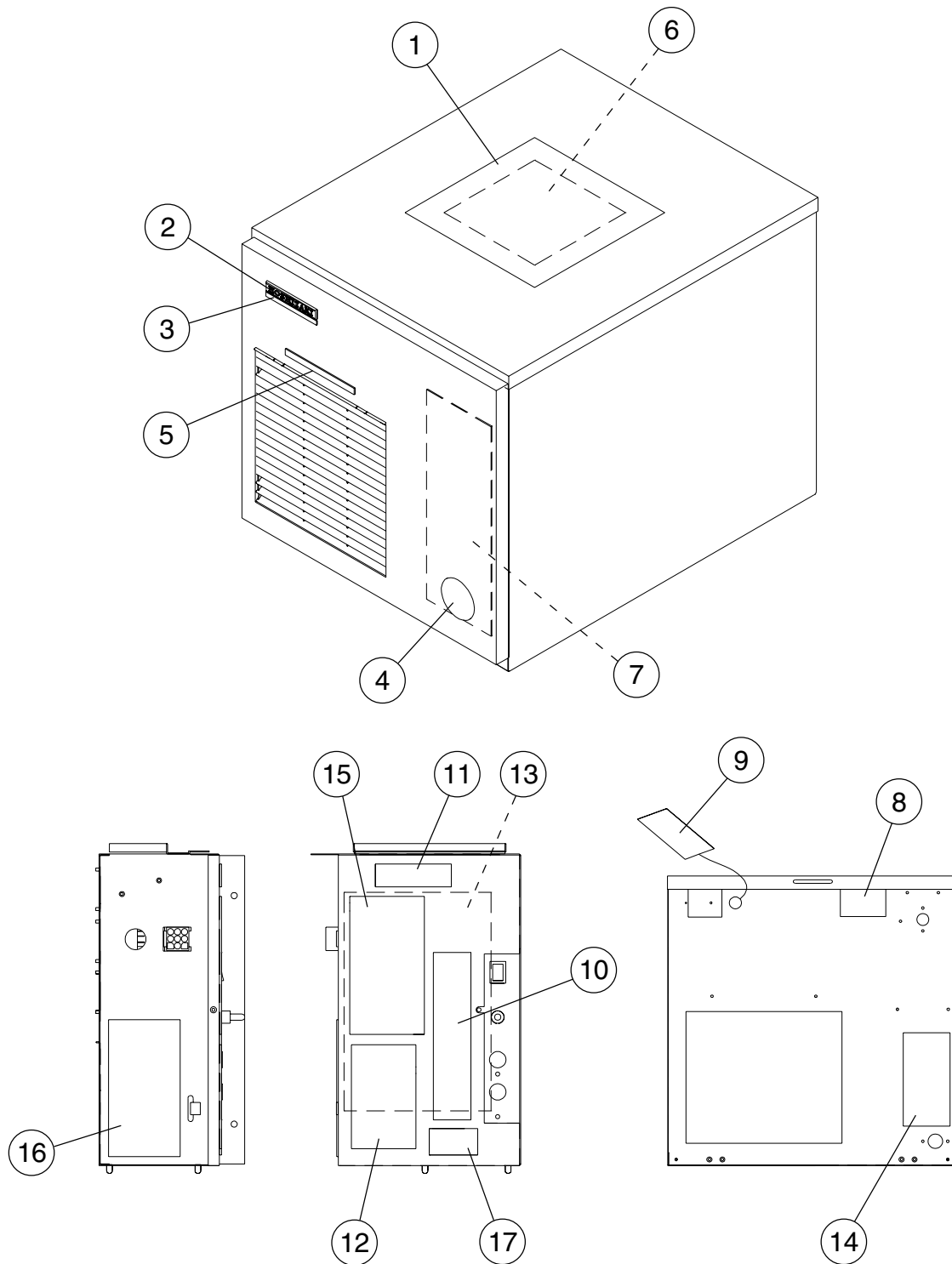
| MODEL: F-450MAF/-C TITLE: E. CONTROL BOX ASSEMBLY | | | | | | | | | | |
|---|----------------------|--------------------------|-------------|-----------------|-----|-----|--|--|--|--|
| INDEX NO. | DESCRIPTION | MATERIAL OR MODEL NUMBER | PART NUMBER | REQUIRED NUMBER | | | | | | |
| | | | | H-0 J-0 | K-0 | L-0 | | | | |
| 1 | CONTROL BOX | GS | 2A0229G04 | 1 | 1 | 1 | | | | |
| | FT SCREW | SS, 4 x 8 | 7F32-0408 | 3 | 3 | 3 | | | | |
| 2 | COVER - CONTROL BOX | GS | 3A0411-01 | 1 | 1 | 1 | | | | |
| | TRUSS HEAD SCREW | SS, 4 x 8 | 7C32-0408 | 2 | 2 | 2 | | | | |
| 3 | RELAY | LY2F AC24V | 406132-03 | 1 | 1 | 1 | | | | |
| 4 | RELAY | LY4F AC24V | 406133-04 | 1 | 1 | 1 | | | | |
| 5 | RELAY | LY1F AC220/240V | 418271-05 | 1 | 1 | 1 | | | | |
| 6 | RELAY | LY1F AC120V | 418271-03 | 1 | 1 | 1 | | | | |
| 7 | TAPPING SCREW | 3 x 8 | 431415-01 | 8 | 8 | 8 | | | | |
| 8 | TRANSFORMER | BE141625GEK | 4A0557-01 | 1 | 1 | 1 | | | | |
| | T2 SCREW | 4 x 8 | 7P31-0408 | 2 | 2 | 2 | | | | |
| 9 | STARTER | 3ARR3CT5M5 | 434172-04 | 1 | 1 | x1 | | | | |
| | | - | 4A1107-11 | | | o1 | | | | |
| | T2 SCREW | 4 x 8 | 7P31-0408 | 1 | 1 | 1 | | | | |
| 10 | CAPACITOR - STARTING | 3535 B7 C0243 A115A4 | 3A0076-10 | 1 | 1 | 1 | | | | |
| 11 | CAPACITOR | X386S (HG01) | 439943-04 | 1 | 1 | 1 | | | | |
| 12 | STRAP | GS | 434580-10 | 1 | 1 | 1 | | | | |
| | T2 SCREW | 4 x 8 | 7P31-0408 | 1 | 1 | 1 | | | | |
| 13 | CAPACITOR | UP33B126 UWF | 4A0894-01 | 1 | 1 | 1 | | | | |
| | T2 SCREW | 4 x 8 | 7P31-0408 | 1 | 1 | 1 | | | | |
| 14 | ROCKER SWITCH | 62111929-0-0-N | 4A0558-01 | 1 | 1 | 1 | | | | |
| 15 | TOGGLE SWITCH | - | 4A0567-01 | 1 | 1 | x1 | | | | |
| | | - | 4A2332-01 | | | o1 | | | | |
| 16 | FUSE HOLDER | HTB921 | 4A0892-01 | 1 | 1 | 1 | | | | |
| 17 | FUSE | AGC-1 1A 250V | 4A0893-01 | 1 | 1 | 1 | | | | |
| 18 | TIMER BOARD | H2AA144C01 | 437305-01 | 1 | 1 | 1 | | | | |
| 19 | BOARD SUPPORT | CBL5 37 - M | 4A0336-03 | 4 | 4 | 4 | | | | |





| MODEL: F-450MAF TITLE: F. CHUTE ASSEMBLY | | | | | | | | | | |
|--|----------------------|--------------------------|-------------|-----------------|-----|-----|--|--|--|--|
| INDEX NO. | DESCRIPTION | MATERIAL OR MODEL NUMBER | PART NUMBER | REQUIRED NUMBER | | | | | | |
| | | | | H-0 J-0 | K-0 | L-0 | | | | |
| 1 | TIE | PA | 436531G01 | 3 | 3 | 3 | | | | |
| 2 | BAFFLE-CHUTE (A) | SS | 3A0400G01 | 1 | 1 | 1 | | | | |
| | WING NUT | SS, 4 | 7E12-0400 | 6 | 6 | 6 | | | | |
| 3 | BAFFLE-CHUTE (B) | SS | 3A0399G01 | 1 | 1 | 1 | | | | |
| 4 | BIN CONTROL | SS | 338043G02 | 1 | - | | | | | |
| | | SS | 3A1535G01 | | 1 | x1 | | | | |
| | BIN CONTROL ASSEMBLY | SS | 3A1744G01 | | | o1 | | | | |
| 5 | ACTUATOR | SS | 436848G01 | 1 | 1 | 1 | | | | |
| 6 | SHAFT | SS | 436851-01 | 1 | 1 | 1 | | | | |
| 7 | SNAP PIN | SS, SSP-5 | 715S-0005 | 2 | 2 | 2 | | | | |
| 8 | PLATE | SS | 438336-01 | 1 | - | | | | | |
| | | SS | 4A2039-01 | | 1 | 1 | | | | |
| 9 | THUMB SCREW | ABS, SS | 415949G04 | 2 | 2 | 2 | | | | |
| 10 | PROXIMITY SWITCH | RS-601 | 427223-01 | 1 | - | | | | | |
| | | - | 4A2033-01 | | 1 | 1 | | | | |
| 11 | COVER-SWITCH | SS | 451870-01 | 1 | - | | | | | |
| | TRUSS HEAD SCREW | SS, 4X8 | 7C32-0408 | 1 | 1 | 1 | | | | |
| 12 | THUMB SCREW | ABS, SS | 415949G09 | 2 | 2 | 2 | | | | |
| 13 | PACKING | EPDM | 441217-01 | 1 | 1 | 1 | | | | |
| 14 | CHUTE | PE | 2A1308-01 | 1 | 1 | 1 | | | | |
| 15 | INSULATION CHUTE | PE FOAM | 2A0989-01 | 1 | 1 | 1 | | | | |
| | | | | | | | | | | |
| | | | | | | | | | | |
| | | | | | | | | | | |
| | | | | | | | | | | |
| | | | | | | | | | | |
| | | | | | | | | | | |
| | | | | | | | | | | |
| | | | | | | | | | | |





| MODEL: F-450MAF TITLE: G. LABEL LOCATION | | | | | | | | | | | |
|--|---|--------------------------|-------------|-----------------|-----|-----|--|--|--|--|--|
| INDEX NO. | DESCRIPTION | MATERIAL OR MODEL NUMBER | PART NUMBER | REQUIRED NUMBER | | | | | | | |
| | | | | H-0 J-0 | K-0 | L-0 | | | | | |
| 1 | INSTRUCTION SHEET | PAPER | 2A1054-01 | 1 | 1 | 1 | | | | | |
| 2 | EMBLEM | PETP FILM | 4A0560-01 | 1 | 1 | 1 | | | | | |
| 3 | MODEL NUMBER LABEL | PETP FILM | 4A1321-01 | 1 | 1 | 1 | | | | | |
| 4 | LABEL - PENGUIN - HA - L | PETP FILM | 4A0526-02 | 1 | 1 | 1 | | | | | |
| 5 | LABEL - AIR FILTER | PETP FILM | 426177-01 | 1 | 1 | 1 | | | | | |
| 6 | INSTRUCTION LABEL | PVC FILM | 326371-01 | 1 | 1 | 1 | | | | | |
| 7 | LABEL - CLEANING | PVC FILM | 326370-01 | 1 | 1 | 1 | | | | | |
| 8 | NAMEPLATE | PES FILM | 4A1323-01 | 1 | 1 | 1 | | | | | |
| 9 | TAG - WARNING: ELECTRICAL CONNECTION | PAPER | 435005-01 | 1 | 1 | 1 | | | | | |
| 10 | CONTROL LABEL | PVC FILM | 4A1613-01 | 1 | 1 | 1 | | | | | |
| 11 | LABEL - R404A | PES FILM | 4A0960-01 | 1 | 1 | 1 | | | | | |
| 12 | CAUTION LABEL (E) | PVC FILM | 439145-01 | 1 | 1 | 1 | | | | | |
| 13 | WIRING LABEL | PVC FILM | 2A1830-01 | 1 | 1 | 1 | | | | | |
| 14 | INSTRUCTION SHEET | PAPER | 433523-01 | 1 | 1 | 1 | | | | | |
| 15 | CAUTION LABEL (H) | PVC FILM | 439148-01 | 1 | 1 | 1 | | | | | |
| 16 | RATING LABEL | PES FILM | 4A1669-01 | 1 | 1 | 1 | | | | | |
| 17 | LABEL (GM) – FUSE | PVC FILM | 4A1614-01 | 1 | 1 | 1 | | | | | |
| | | | | | | | | | | | |
| | | | | | | | | | | | |
| | | | | | | | | | | | |
| | | | | | | | | | | | |
| | | | | | | | | | | | |
| | | | | | | | | | | | |
| | | | | | | | | | | | |
| | | | | | | | | | | | |
| | | | | | | | | | | | |
| | | | | | | | | | | | |
| | | | | | | | | | | | |

