

H

hi

ent



“A Superior Degree
of Reliability”

www.hoshizaki.com

Models
CR1A-FS
CR1A-HS
CF1A-FS
CF1A-HS

PARTS LIST



Number: 71307
Issued: 5-5-2010
Revised: 5-17-2010

Auxiliary Co 3
Note About 3
Material Ab 4
A. Reach-Ir 5
CR1A-FS 5
CR1A-HS 7
CF1A-FS 9
CF1A-HS 11
B. Refrigera 13
CR1A-FS 13
CF1A-FS 17
C. Control E 21
D. Reservoi 23
E. Front Pai 24
F. Interior G 25
G. Door-Rig 27
Full Solid: CR1A-FS, CF1A-FS.....	27
Half Solid: CR1A-HS, CF1A-HS	28
H. Accessories & Packaging	29

Auxiliary

CR1A-F

CR1A-I

CF1A-F

CF1A-H

Auxiliary Code Breakdown

The auxiliary code is the first two characters in the serial number. The first character indicates the year. Years progress or regress in alphabetical order. The series runs from "A" through "V" and the letters "I" and "O" are skipped. The second character indicates significant part changes within a year. Base is "5" and this number advances for each change.

Note About Ordering Parts

Most assemblies cannot be ordered as complete units; parts in the assemblies generally must be ordered separately.

Material /

ALUMINUM

AL

COPPER

CU

PLASTIC

ABS

AC

EPP

EVA

PA

PC

PE

PES

PETP

PP

PS

PTFE = Polytetrafluoroethylene = Teflon

PUR = Polyurethane

PVC = Polyvinyl chloride

RUBBER

EPDM = EP rubber

EPH = Epichlorohydrin

NBR = Nitrile butadiene rubber

NP = Neoprene

NR = Natural rubber

SI.R = Silicone rubber

SY.R = Synthetic rubber

VN = Vinyl Nitrile

STEEL

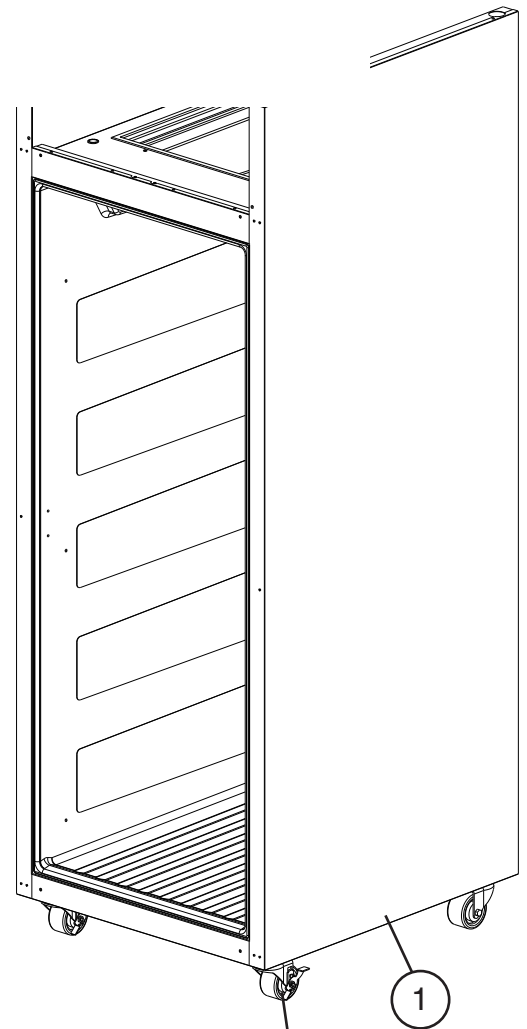
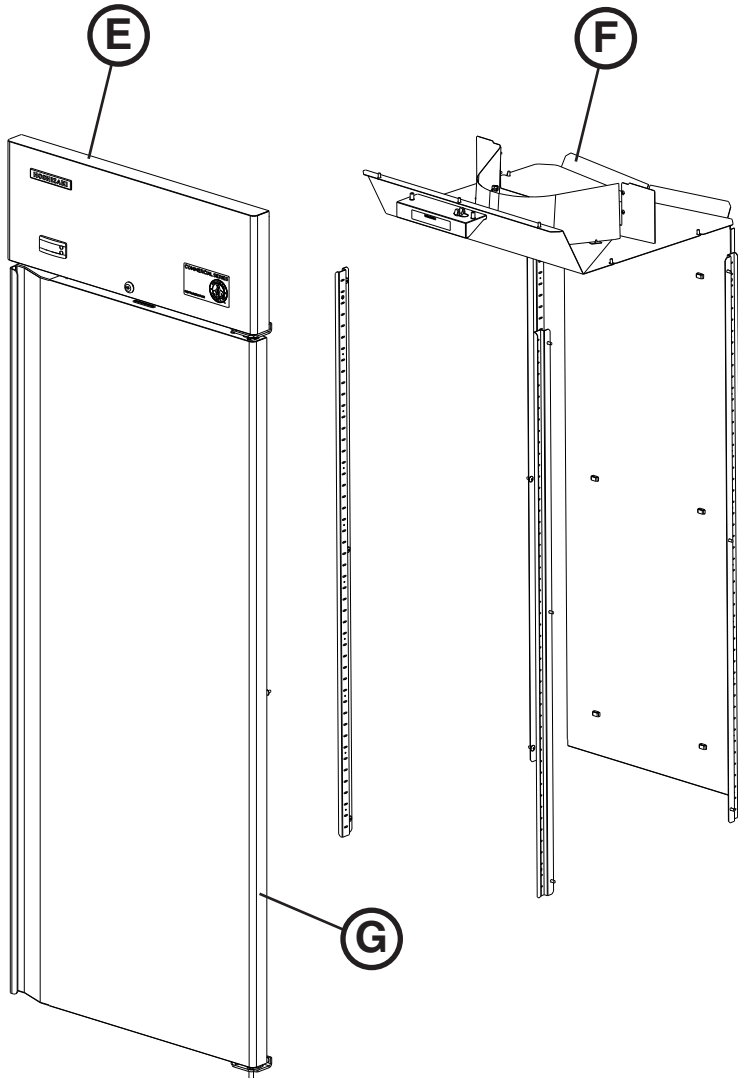
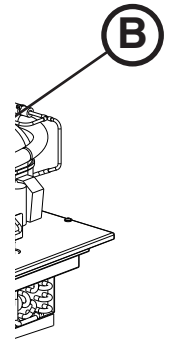
GS = Galvanized steel

PAS = Primed steel

PS = Plated steel

SS = Stainless steel

A. Rea
CR1
U-5

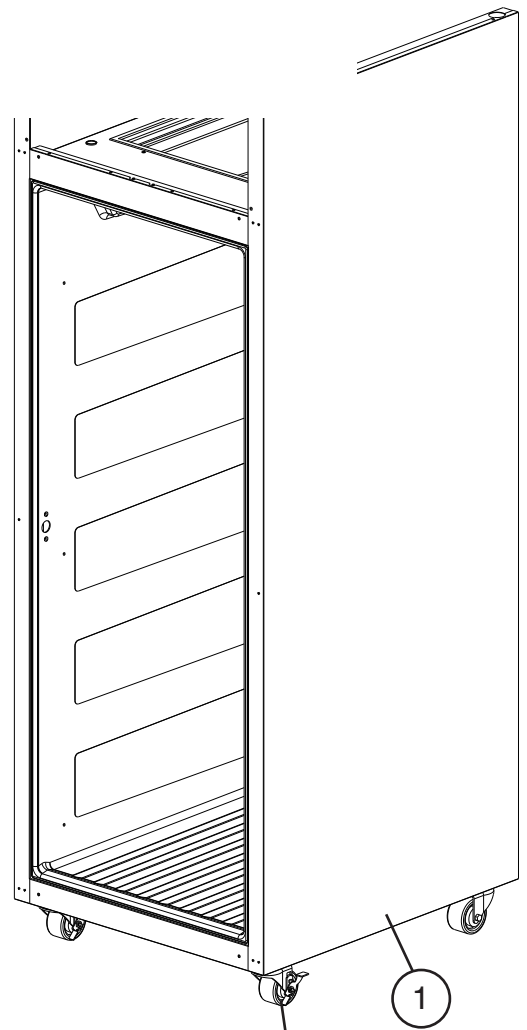
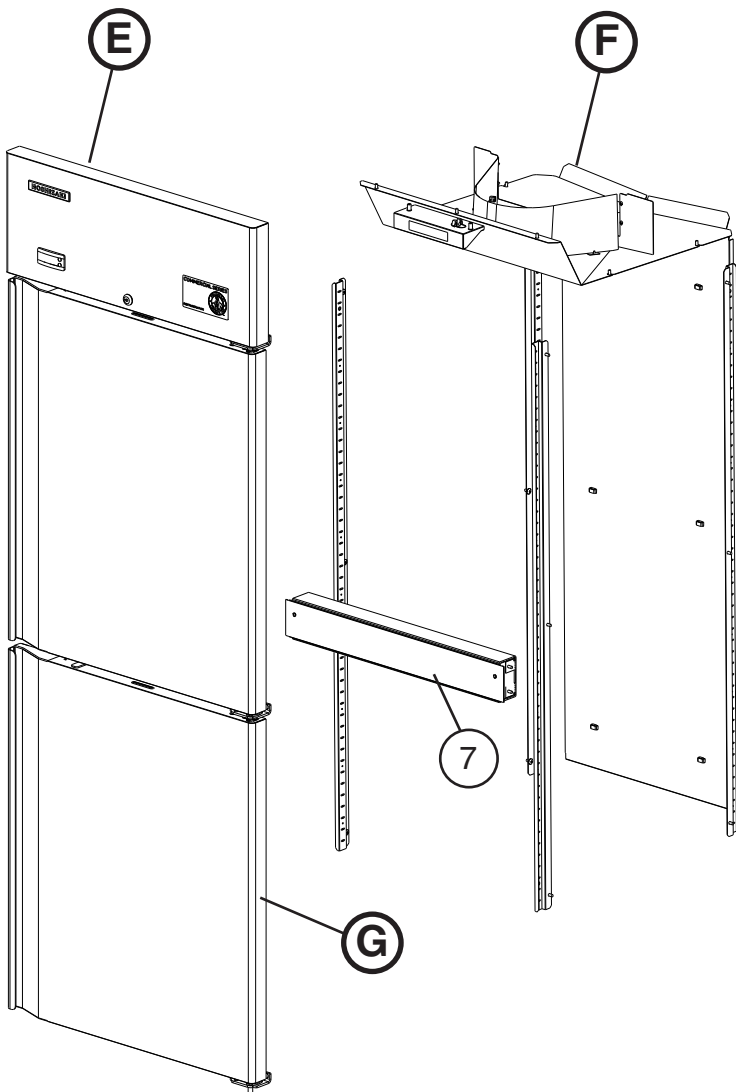
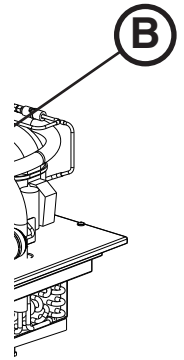
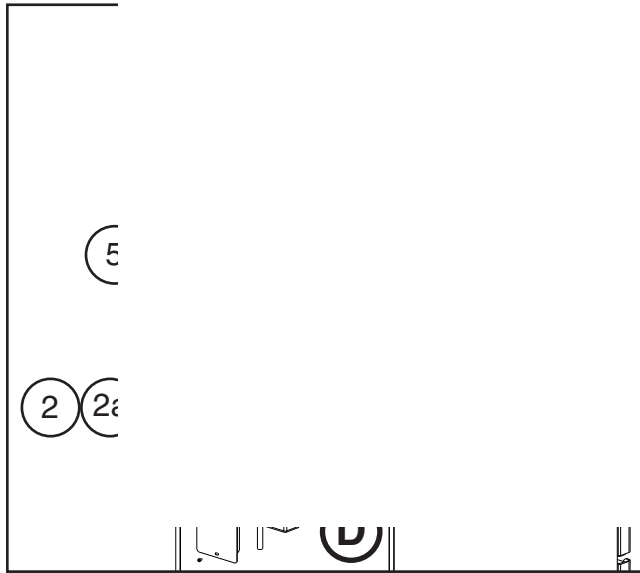


For casters, see section "H"

Title: **A. React**

Index No.	Descr												
B	Refrig mounl "B" ite												
C	Contrl mounl "C" ite												
D	Reser												
E	Front mounl "E" ite												
F	Interic												
G	Door-l hardw items												
1	Body												
2	Reservoir Cover		3A5555-01	1									
2a	T2 Screw	4x8, SS	7P32-0408	2									
3	Grounding Screw	5x8, BRASS	433304-02	1									
4	Wiring Label		2A5335-01	1									
5	Caution Label		4A1931-01	1									
6	Nameplate		2A5306-01	1									

A. Rea
CR1
V-5

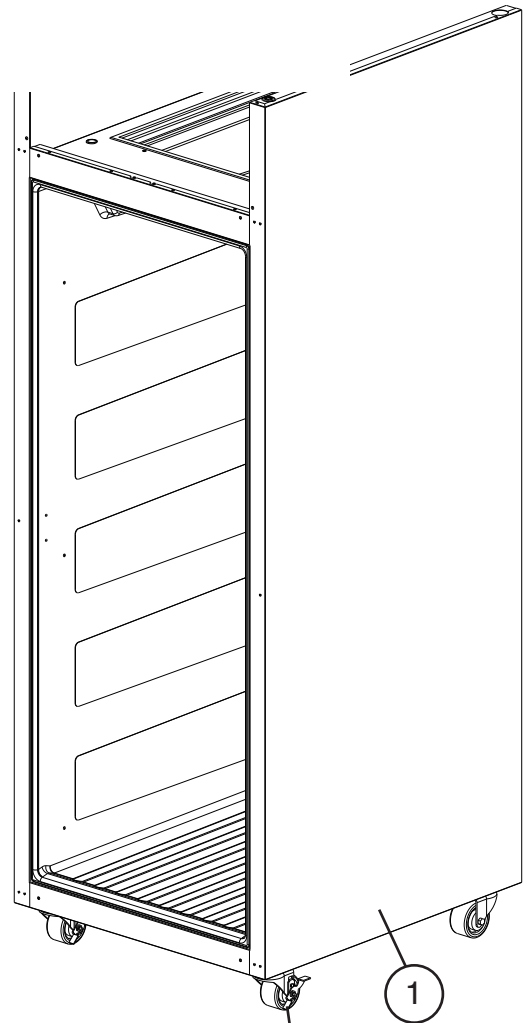
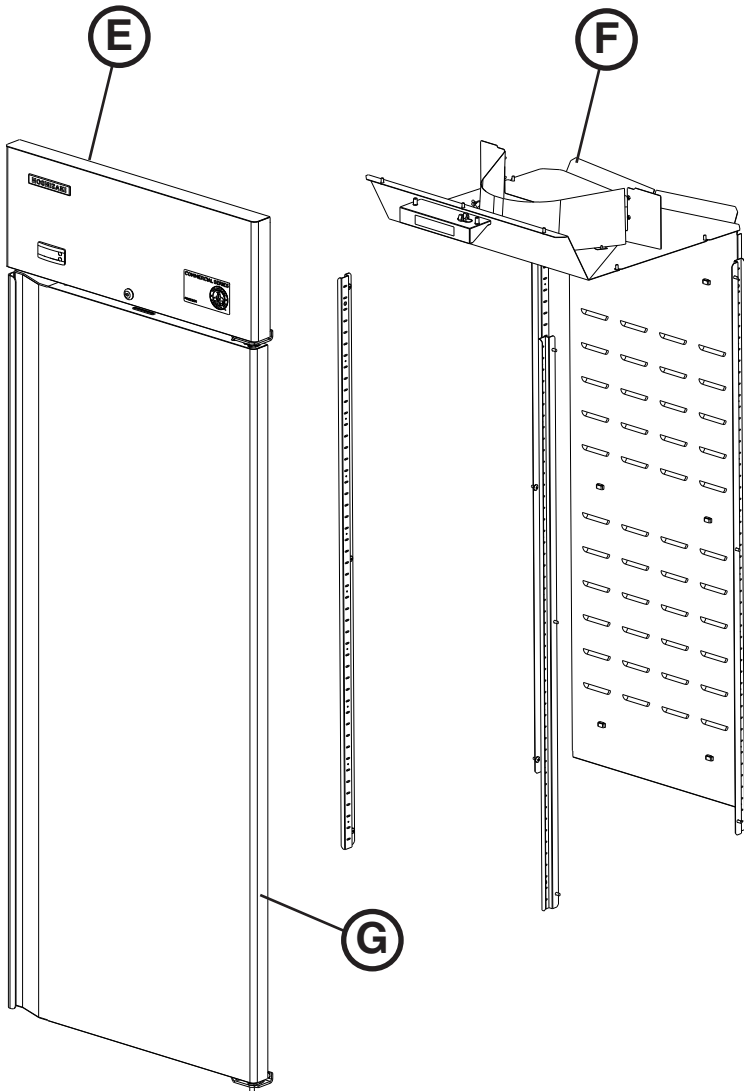
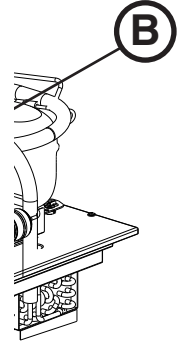
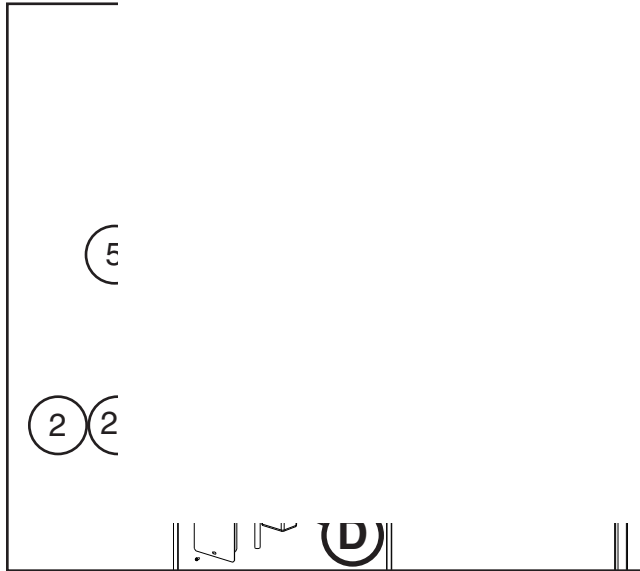


For casters, see section "H"

Title: **A. React**

Index No.	Descr											
B	Refrig mounl "B" ite											
C	Contr mounl "C" ite											
D	Reser											
E	Front mounl "E" ite											
F	Interic											
G	Door-l hardw items											
1	Body											
2	Reser											
2a	T2 Screw	4x8, SS	7P32-0408	2								
3	Grounding Screw	5x8, BRASS	433304-02	1								
4	Wiring Label		2A5335-01	1								
5	Caution Label		4A1931-01	1								
6	Nameplate		2A5306-02	1								
7	Mullion		2A5350A01	1								

A. Rea
CF1
U-5

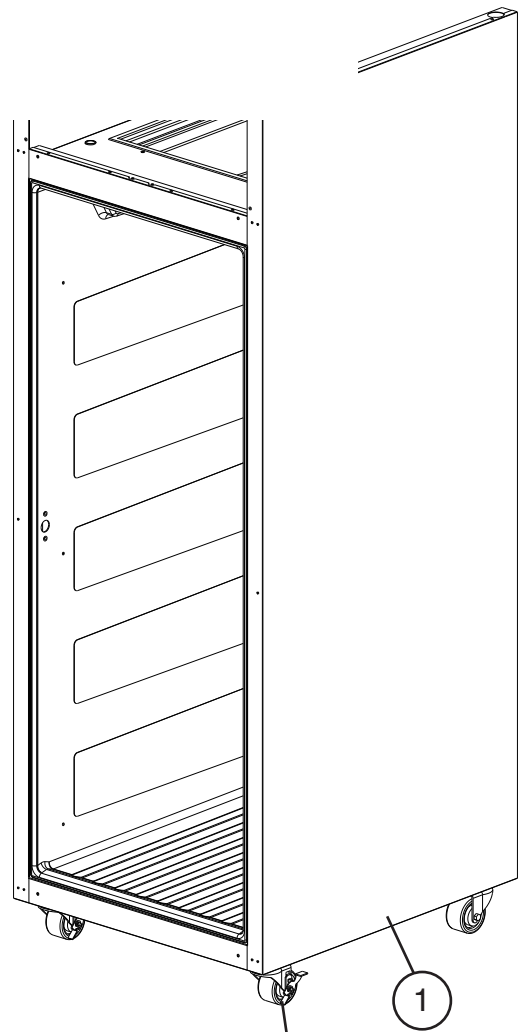
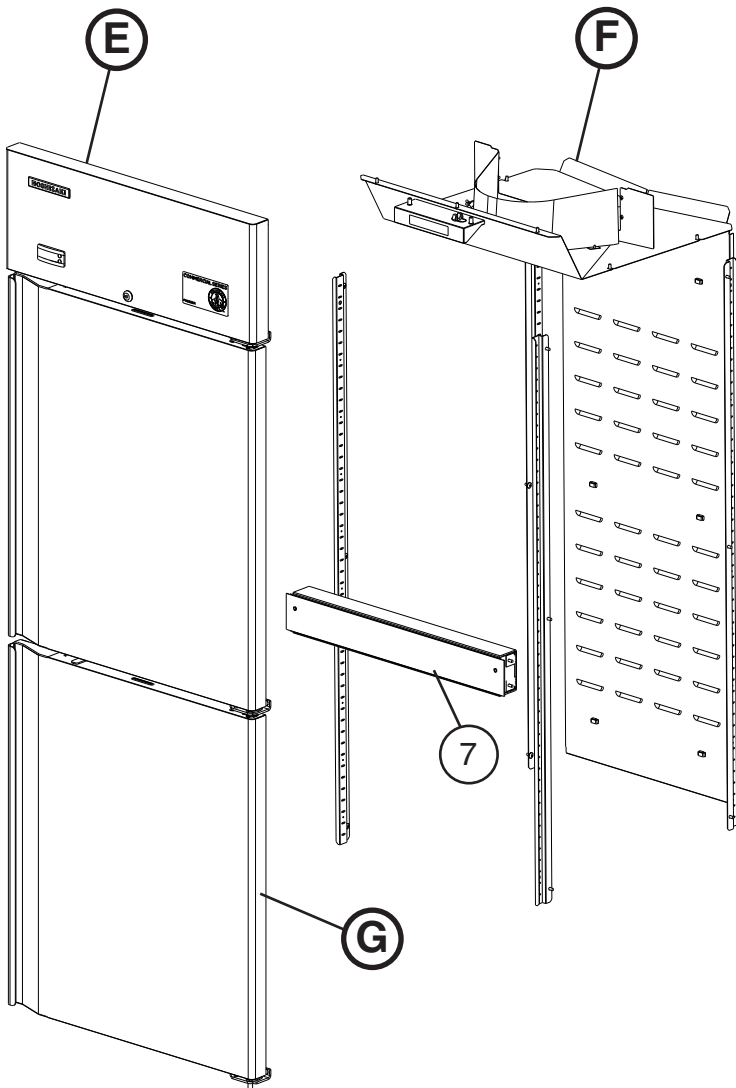
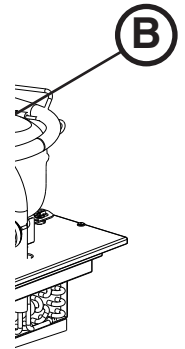
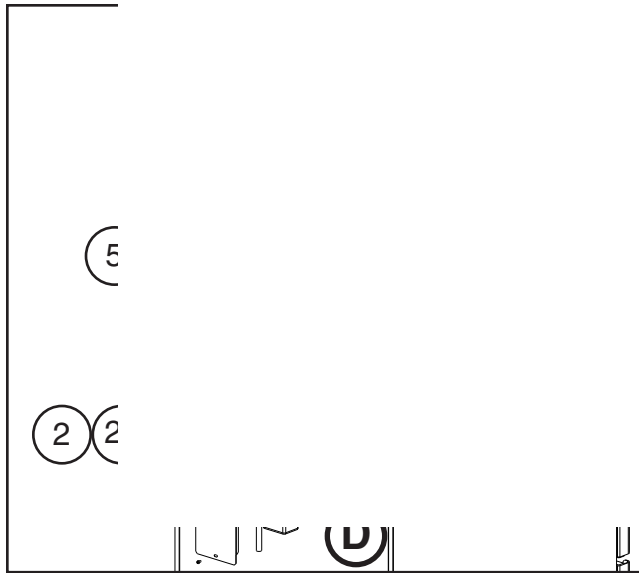


For casters, see section "H"

Title: **A. React**

Index No.	Descr												
B	Refrig mounl "B" ite												
C	Contr mounl "C" ite												
D	Reser												
E	Front mounl "E" ite												
F	Interic												
G	Door-l hardw items												
1	Body												
2	Reservoir Cover		3A5555-01	1									
2a	T2 Screw	4x8, SS	7P32-0408	2									
3	Grounding Screw	5x8, BRASS	433304-02	1									
4	Wiring Label		2A5345-01	1									
5	Caution Label		4A1931-01	1									
6	Nameplate		2A5306-03	1									

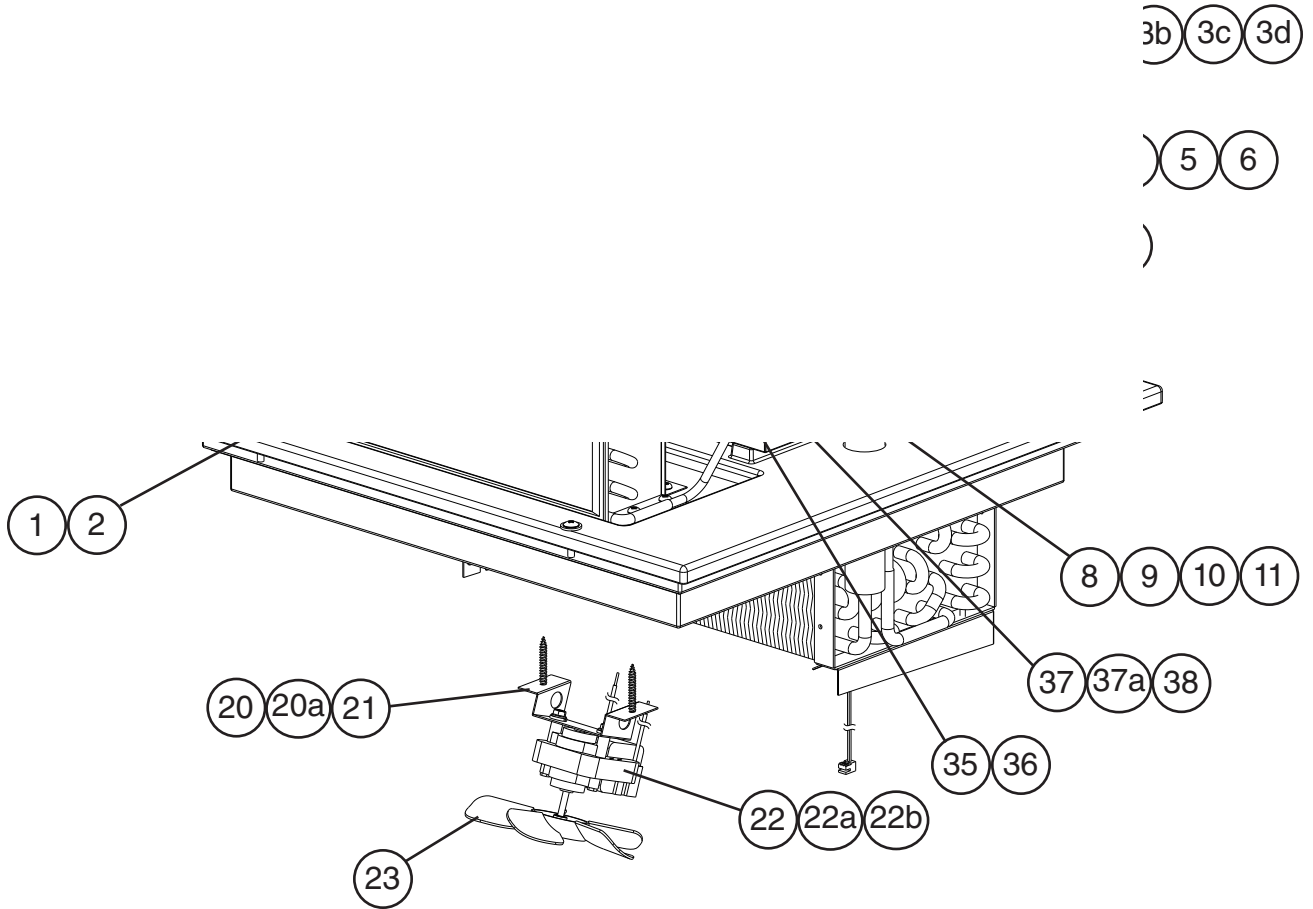
A. Rea
CF1
 V-5



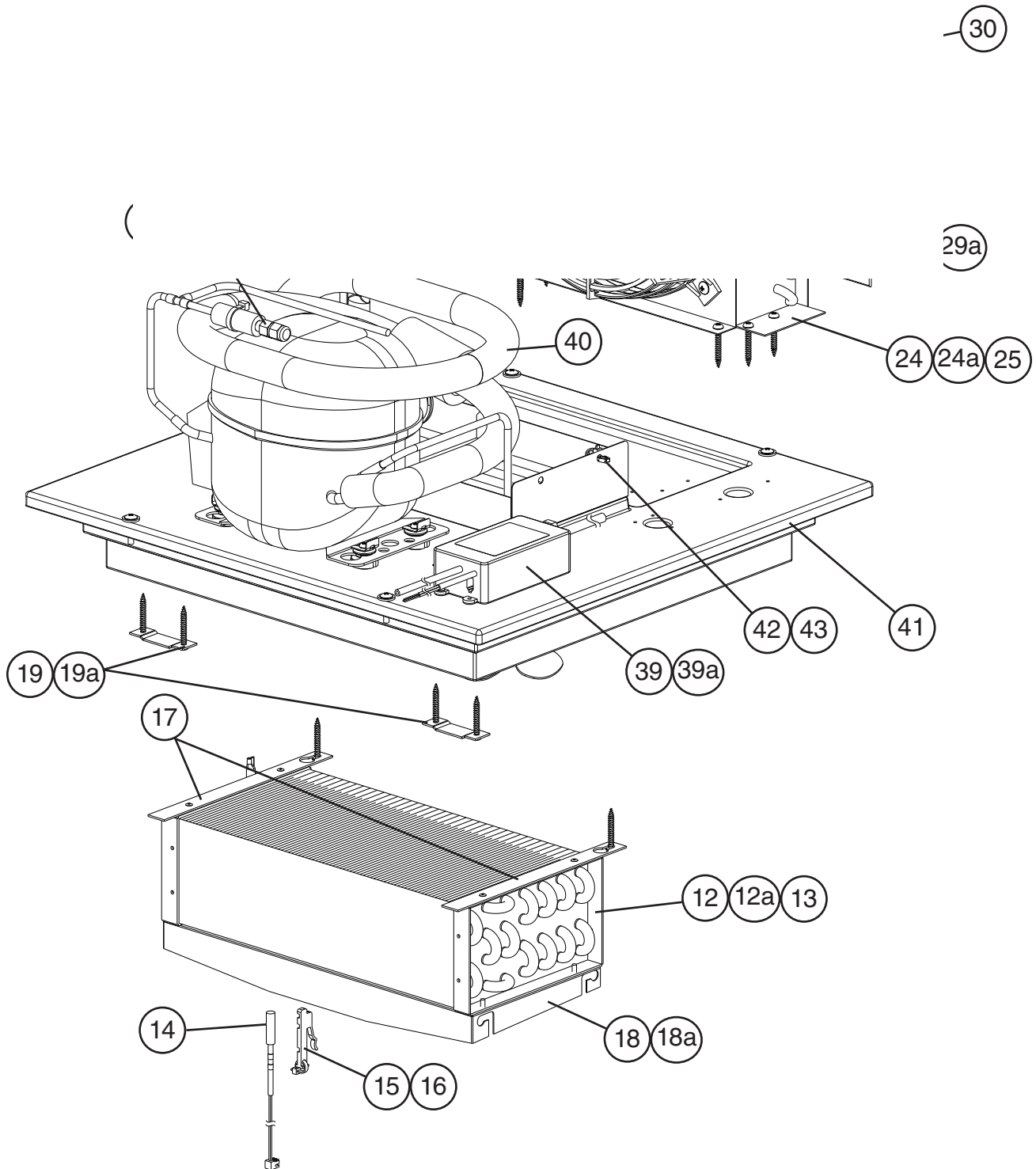
Title: **A. React**

Index No.	Descr												
B	Refrig mounl "B" ite												
C	Contr mounl "C" ite												
D	Reser												
E	Front mounl "E" ite												
F	Interic												
G	Door-l hardw items												
1	Body												
2	Reser												
2a	T2 Screw	4x8, SS	7P32-0408	2									
3	Grounding Screw	5x8, BRASS	433304-02	1									
4	Wiring Label		2A5345-01	1									
5	Caution Label		4A1931-01	1									
6	Nameplate		2A5306-04	1									
7	Mullion		2A5350A01	1									

B. Refi
1/2
CR1
U-5



B. Refrig
2/2
CR1A-
U-5, V-



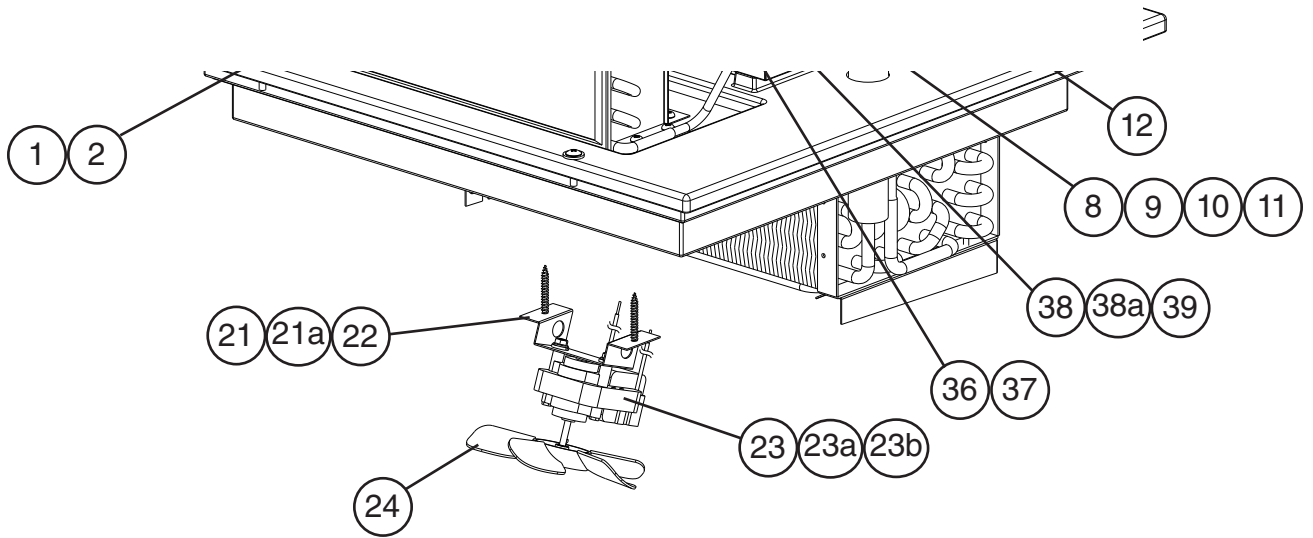
Title: B. R											
Index No.	D	r									
1	Ti										
2	V										
3	C										
3a	S										
3b	C										
3c	R										
3d	C										
4	Ti										
5	C										
6	S										
7	S										
8	C (i a										
9	Drier			4A0924-01	1						
10	Nylon Tie			8911-0300	1						
11	Nylon Tie Mount			437618-01	1						
12	Evaporator Assembly (items 12a through 18a; order assembly parts individually)			2A5265G01	1						
12a	Screw			4A4993-02	2						
13	Evaporator			2A5183-01	1						
14	Defrost Thermistor			4A4865-02	1						
15	Thermistor Tie Clip			4A3248G01	1						
16	Nylon Tie			8911-0150	1						
17	Evaporator Bracket			3A5492-01	2						
18	Evaporator Drain Bracket			3A5495-01	1						
18a	T2 Screw	4x8, SS		7P32-0408	4						
19	Evaporator Mount Bracket			3A5493-01	2						
19a	Screw			4A4993-02	4						
20	Evaporator Fan Assembly (items 20a through 23; order assembly parts individually)			3A5590A01	1						
20a	Screw			4A4993-02	2						
21	Fan Motor Bracket	SS		4A4935-01	1						
22	Evaporator Fan Motor			4A4942-01	1						
22a	Split Lock Washer	No. 8, SS		7L2210832	2						
22b	Hex Nut	No. 8-33, SS		7N0210832	2						
23	Evaporator Fan Blade			4A4943-01	1						
24	Condenser Assembly (items 24a through 31a; order assembly parts individually)			2A5260A01	1						
24a	Screw			4A4993-02	6						
25	Condenser			2A5182-01	1						
26	Condenser Shroud	GS		2A5263-01	1						
26a	T2 Screw	4x8, SS		7P32-0408	6						

Title: **B. Refrigeration Circuit** Model: **CR1A-FS, CR1A-HS**

Index No.	Descr													
27	Conde fan bla													
27a	Self-L													
28	Conde													
29	Conde													
29a	Truss													
30	Air Fil													
31	Air Fil													
31a	T2 Sc													
32	R-134													
33	Proce: 34; on indivic													
34	Acces													
35	Conde (items assen													
36	Condensate Pan		2A5218-01	1										
37	Condensate Coil Strap		3A5672-01	1										
37a	T2 Screw	4x8, SS	7P32-0408	2										
38	Condensate Coil Gasket		4A0455-04	1										
39	Condensate Pump (includes 3mm ID x 625mm suction hose and 6mm ID x 375mm discharge hose)		4A5111-01	1										
39a	T2 Screw	4x20, SS	7P32-0420	2										
40	Capillary Tube/Suction Tube (Heat Exchanger)		2A5285G01	1										
41	Refrigeration Circuit Base	EPP	2A5184-01	1										
42	Cable Tie Mount		437618-01	1										
43	Nylon Tie		8911-0150	1										

B. Refi
1/2
CF1
U-5

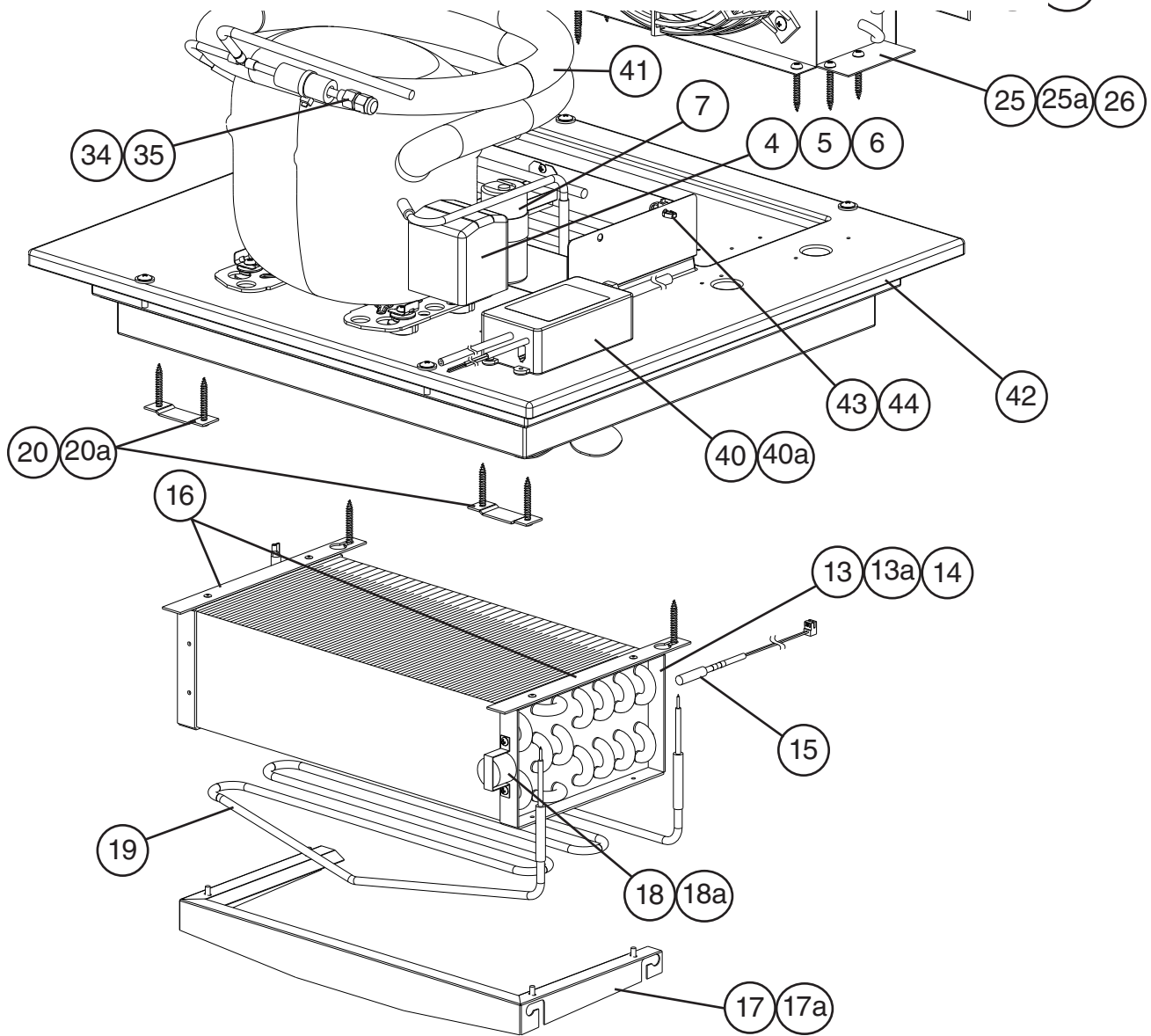
3b 3c 3d



B. Refrig
2/2
CF1A-I
U-5, V-

31

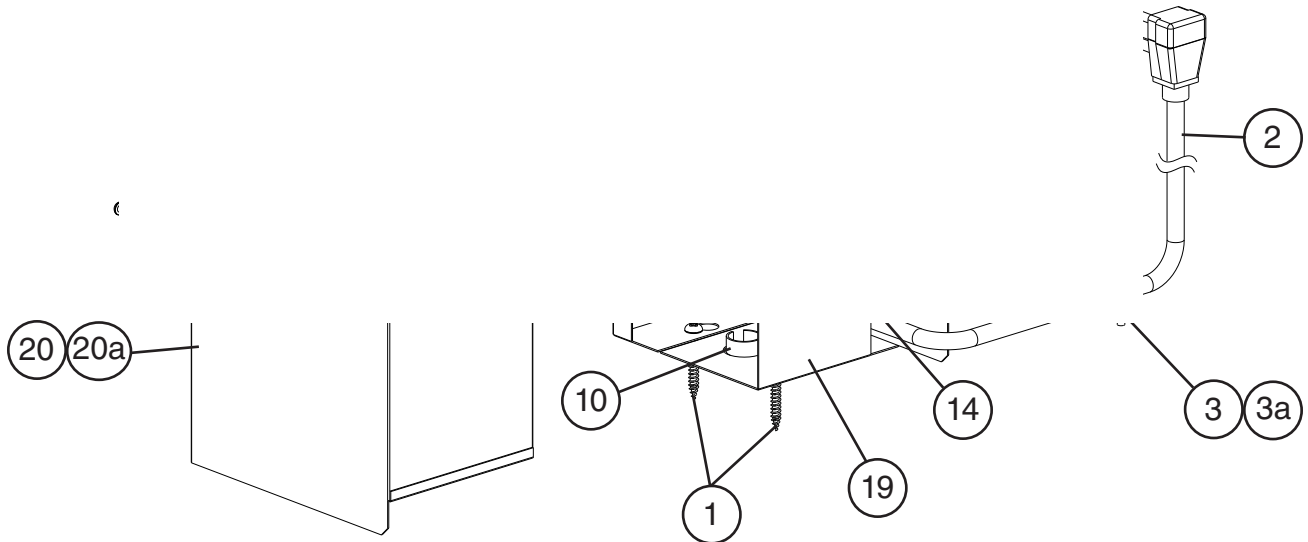
30a



Title: B. R											
Index No.	D										
1	Ti										
2	V										
3	C										
3a	S										
3b	C										
3c	R										
3d	C										
4	Ti										
5	C										
6	S										
7	S										
8	C (i a										
9	Drier		4A0924-01	1							
10	Nylon Tie		8911-0300	1							
11	Nylon Tie Mount		437618-01	1							
12	Pressure Switch		4A2516-02	1							
13	Evaporator Assembly (items 13a through 19; order assembly parts individually)		2A5377G01	1							
13a	Screw		4A4993-02	2							
14	Evaporator		2A5183-01	1							
15	Defrost Thermistor		4A4865-01	1							
16	Evaporator Bracket		3A5492-01	2							
17	Evaporator Drain Bracket		3A5495-01	1							
17a	T2 Screw	4x8, SS	7P32-0408	4							
18	Defrost Thermostat		4A0954-02	1							
18a	T2 Screw	4x8, SS	7P32-0408	2							
19	Defrost Heater		2A5378-01	1							
20	Evaporator Mount Bracket		3A5493-01	2							
20a	Screw		4A4993-02	4							
21	Evaporator Fan Assembly (items 21a through 24; order assembly parts individually)		3A5590A01	1							
21a	Screw		4A4993-02	2							
22	Fan Motor Bracket	SS	4A4935-01	1							
23	Evaporator Fan Motor		4A4942-01	1							
23a	Split Lock Washer	No. 8, SS	7L2210832	2							
23b	Hex Nut	No.8-33, SS	7N0210832	2							
24	Evaporator Fan Blade		4A4943-01	1							
25	Condenser Assembly (items 25a through 32a; order assembly parts individually)		2A5260A01	1							
25a	Screw		4A4993-02	6							
26	Condenser		2A5182-01	1							

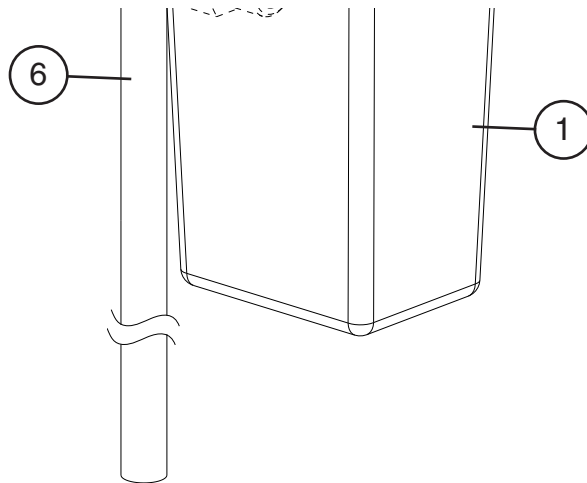
Title: B. Refrig										
Index No.	Descr									
27	Conde									
27a	T2 Sc									
28	Conde fan blk									
28a	Self-L									
29	Conde									
30	Conde									
30a	Truss									
31	Air Fil									
32	Air Fil									
32a	T2 Sc									
33	R-404									
34	Proce: 35; or indic									
35	Access valve									
36	Condensate Pan Assembly (items 37 through 40; order assembly parts individually)			2A5375A01	1					
37	Condensate Pan			2A5218-01	1					
38	Condensate Coil Strap			3A5672-01	1					
38a	T2 Screw	4x8, SS		7P32-0408	2					
39	Condensate Coil Gasket			4A0455-04	1					
40	Condensate Pump (includes 3mm ID x 625mm suction hose and 6mm ID x 375mm discharge hose)			4A5111-01	1					
40a	T2 Screw	4x20, SS		7P32-0420	2					
41	Capillary Tube/Suction Tube (Heat Exchanger)			2A5347G01	1					
42	Refrigeration Circuit Base	EPP		2A5184-01	1					
43	Cable Tie Mount			437618-01	1					
44	Nylon Tie			8911-0150	1					

C. Con
CR1
 U-5



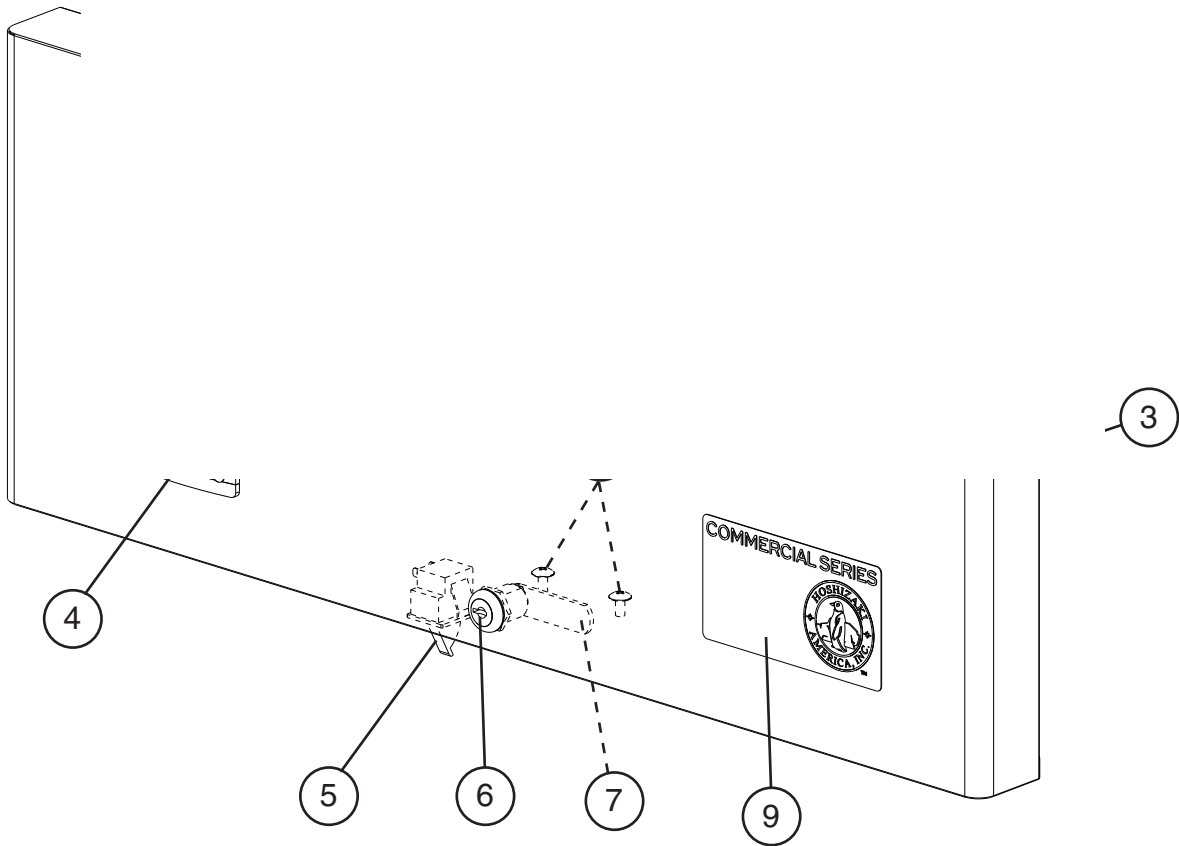
Title: C. Control Box Assembly Model: CR1A-FS, CR1A-HS, CF1A-FS, CF1A-HS											
Index No.	Description	Material or Model Number	Part Number	Required Number							
				U-5	V-5						
1	Screw		4A4993-02	2							
2	Power Supply Cord		4A0520-01	1							
3	Wire Clamp		4A0809-03	1							
3a	T2 Screw	4x8, SS	7P32-0408	1							
4	Control Module (includes mounting nut)	CR1A-<u>S</u>	4A4861-01	1							
		CF1A-<u>S</u>	4A5101-01								
5	Display Cable		4A4863-01	1							
6	Toggle Switch		4A0424-01	1							
7	Door Switch Relay		418271-03	1							
7a	Tapping Screw	3x8	431415-01	2							
8	Compressor Relay	CF1A-<u>S</u>	4A1307-01	1							
8a	Tapping Screw	CF1A-<u>S</u> 3x8	431415-01	2							
9	Terminal Block	ESB2-323-424	4A2619-01	1							
9a	Tapping Screw	3x8	431415-01	2							
10	Bushing	OCB-875	428394-04	2							
11	Plug Housing	3P	4A0425-01	1							
12	Receptacle Housing	3P	4A0426-01	1							
13	Plug Housing	6P	412832-03	1							
14	Receptacle Housing	6P	412831-03	1							

D. Res
CR1
 U-5



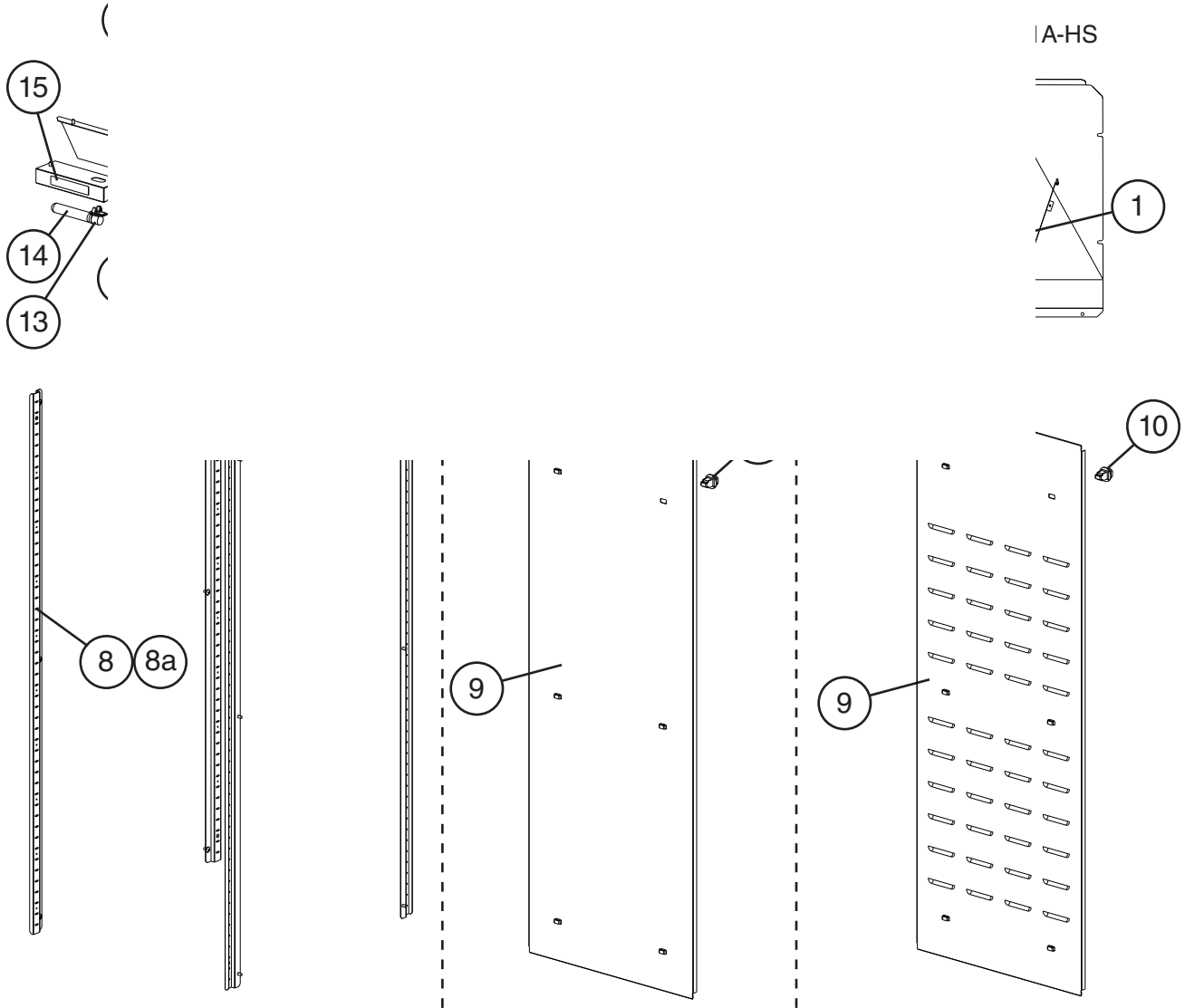
Title: D. Reservoir Assembly Model: CR1A-FS, CR1A-HS, CF1A-FS, CF1A-HS										
Index No.	Description	Material or Model Number	Part Number	Required Number						
				U-5	V-5					
1	Reservoir		3A5565-01	1						
2	Float Switch		4A4937-01	1						
3	Float Switch Bracket		3A5560-01	1						
3a	T2 Screw	4x8, SS	7P32-0408	1						
4	Rubber Gasket		413854-03	1						
5	Drain Fitting		4A2792-01	1						
6	Silicone Hose	L=150mm	773013812	1						

E. Front F
CR1A-
 U-5, V-



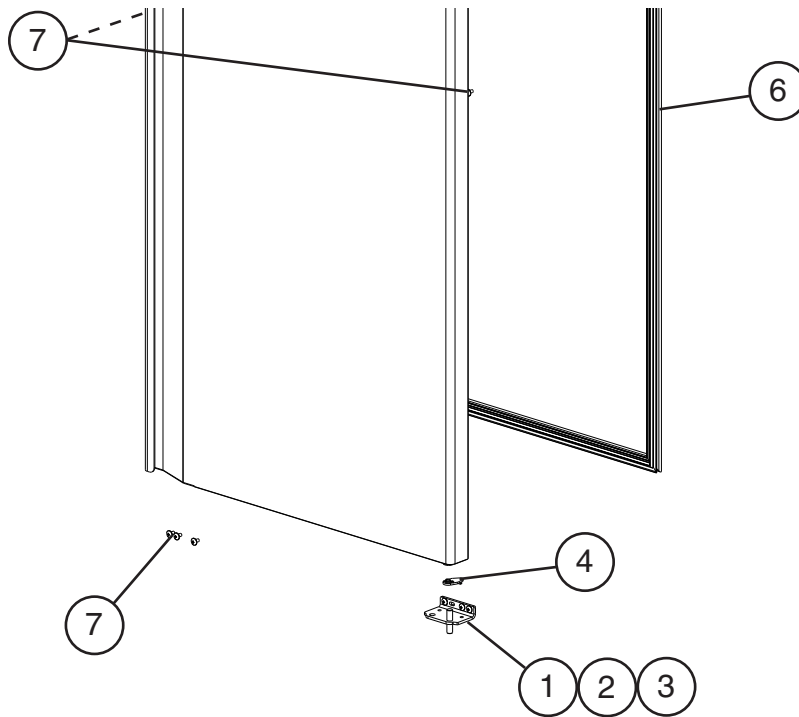
Title: E. Front Panel Assembly Model: CR1A-FS, CR1A-HS, CF1A-FS, CF1A-HS												
Index No.	Description	Material or Model Number	Part Number	Required Number								
				U-5	V-5							
1	T2 Screw	4x8, SS	7P32-0408	2								
2	Truss Head Screw	5x10, SS	7C32-0510	2								
3	Front Panel		2A5219-01	1								
4	Display Module (includes mounting clips)		4A4862-01	1								
5	Door Switch		3A1826-01	1								
6	Door Lock Tumbler (includes 2 keys)		4A4924-01	1								
7	Door Lock Cam		4A4925-01	1								
8	Emblem		4A0560-01	1								
9	Label-Commercial Series	CR1A- <u>S</u>	3A5816-01	1								
		CF1A- <u>S</u>	3A5816-02	1								

F. Inter
CR1
U-5



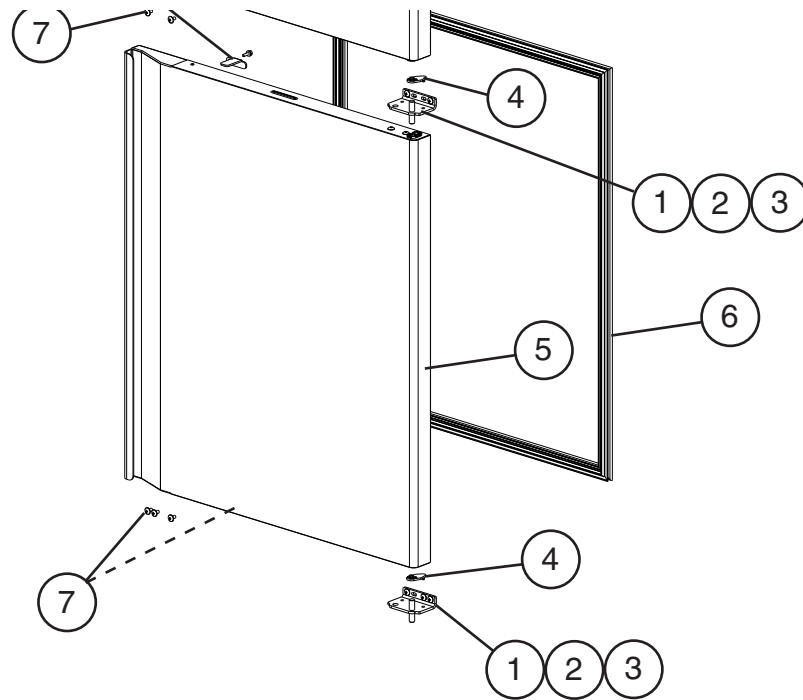
Title: F. Interior Group Model: CR1A-FS, CR1A-HS, CF1A-FS, CF1A-HS					Required Number								
Index No.	Description	Material or Model Number	Part Number	U-5									
				V-5									
1	Cabinet Thermistor		4A4864-01	1									
2	Bushing	CR1A- S OCB-500	428394-02	1									
3	Twist Wire Tie		4A5113-01	1									
4	Evaporator Fan Shroud		3A5543G01	1									
4a	Truss Head Screw	5x10, SS	7C32-0510	7									
5	Fan Guard		4A4860-01	1									
5a	T2 Screw	4x10, SS	7P32-0410	2									
6	Fan Shroud		2A5291-01	1									
7	Evaporator Shroud		3A5494-01	1									
7a	T2 Screw	4x8, SS	7P32-0408	4									

G. Doc
Full
 U-5



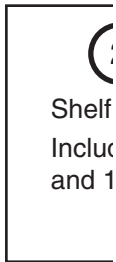
Title: G. Door-Right Model: Full Solid: CR1A-FS, CF1A-FS					Required Number					
Index No.	Description	Material or Model Number	Part Number	U-5						
				V-5						
1	Truss Head Screw	5×10, SS	7C32-0510	6						
2	Split Lock Washer	M5, SS	7L22-0500	6						
3	Hinge Bracket (R)		3A5542G01	2						
4	Hinge Collar		339948-01	1						
5	Door Subassembly (includes item 6)		2A5220G01	1						
6	Door Gasket		2A5192-01	1						
7	Truss Head Screw (filler)	5×10, SS	7C32-0510	8						

G. Door-F
Half Solid
 V-5

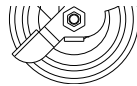


Title: G. Door-Right Model: Half Solid: CR1A-HS, CF1A-HS											
Index No.	Description	Material or Model Number	Part Number	Required Number							
				V-5							
1	Truss Head Screw	5x10, SS	7C32-0510	8							
2	Split Lock Washer	M5, SS	7L22-0500	8							
3	Hinge Bracket (R)		3A5542G01	3							
4	Hinge Collar		339948-01	2							
5	Door Subassembly (includes 1 of item 6)		2A5222G01	2							
6	Door Gasket		2A5192-02	2							
7	Truss Head Screw (filler)	5x10, SS	7C32-0510	11							
8	Door Latch		4A4934-01	1							
8a	Screw-Bolt	5x16, SS	449879-08	1							

H. Acc
CR1
 U-5



5



Title: H. Accessories & Packaging Model: CR1A-FS, CR1A-HS, CF1A-FS, CF1A-HS											
Index No.	Description	Material or Model Number	Part Number	Required Number							
				U-5							
1	Instruction Manual		91A3KE10A	1							
2	Shelf Kit (3 Pack) (includes items 3 and 4)	HS-3508	3A1416A03	1							
3	Shelf		3A1387-01	3							
4	Shelf Clip		428957-01	12							
5	4-Inch Locking Caster		4A4275-01	2							
5a	Hex Head Tapping Bolt	1/4×20×1/2	7B03I1412	8							
6	4-Inch Non-Locking Caster		4A4275-02	2							
6a	Hex Head Tapping Bolt	1/4×20×1/2	7B03I1412	8							
-	Packaging	CR1A-FS	2A5302A01								
		CR1A-HS	2A5303A01								
		CF1A-FS	2A5304A01								
		CF1A-HS	2A5305A01								