

Hoshizaki America, Inc.

Self-Contained Cubelet

Models

C-I00BAF

C-I00BAF-DS

C-I00BAF-AD

C-I00BAF-ADDS



“A Superior Degree
of Reliability”

www.hoshizaki.com

PARTS LIST



Number: 71308
Issued: 8-18-2010
Revised: 9-21-2011

CONTENTS

Auxiliary Codes.....	3
Note About Ordering Parts	3
A. Ice Flaker Assembly	4
B. Refrigeration Circuit.....	8
C. Ice Making Unit	10
D. Water Circuit	12
E. Control Box Assembly.....	16
F. Door Assembly	17
G. Label Location.....	18
H. Accessories & Packaging	20

Auxiliary Codes

C-100BAF	V-0	November 2010
	A-0	January 2011
	A-1	March 2011
	A-2	July 2011

C-100BAF-DS	V-0	December 2010
	A-0	January 2011
	A-1	March 2011
	A-2	August 2011

C-100BAF-AD	V-0	May 2010
	V-1	August 2010
	V-2	September 2010
	A-0	January 2011
	A-2	August 2011

C-100BAF-ADDS	V-0	May 2010
	V-2	September 2010
	A-0	January 2011
	A-1	March 2011
	A-2	August 2011

Auxiliary Code Breakdown

The auxiliary code is the first two characters in the serial number. The first character indicates the year. Years progress or regress in alphabetical order. The series runs from "A" through "V" and the letters "I" and "O" are skipped. The second character indicates significant part changes within a year. Base is "0" and this number advances for each change. In cases where there is a letter in parentheses, this designates the month. This is the last character in the serial number. The series runs from "(A)" through "(M)" and the letter "(I)" is skipped. This designation is only included when identifying a parts change within an auxiliary code.

Note About Ordering Parts

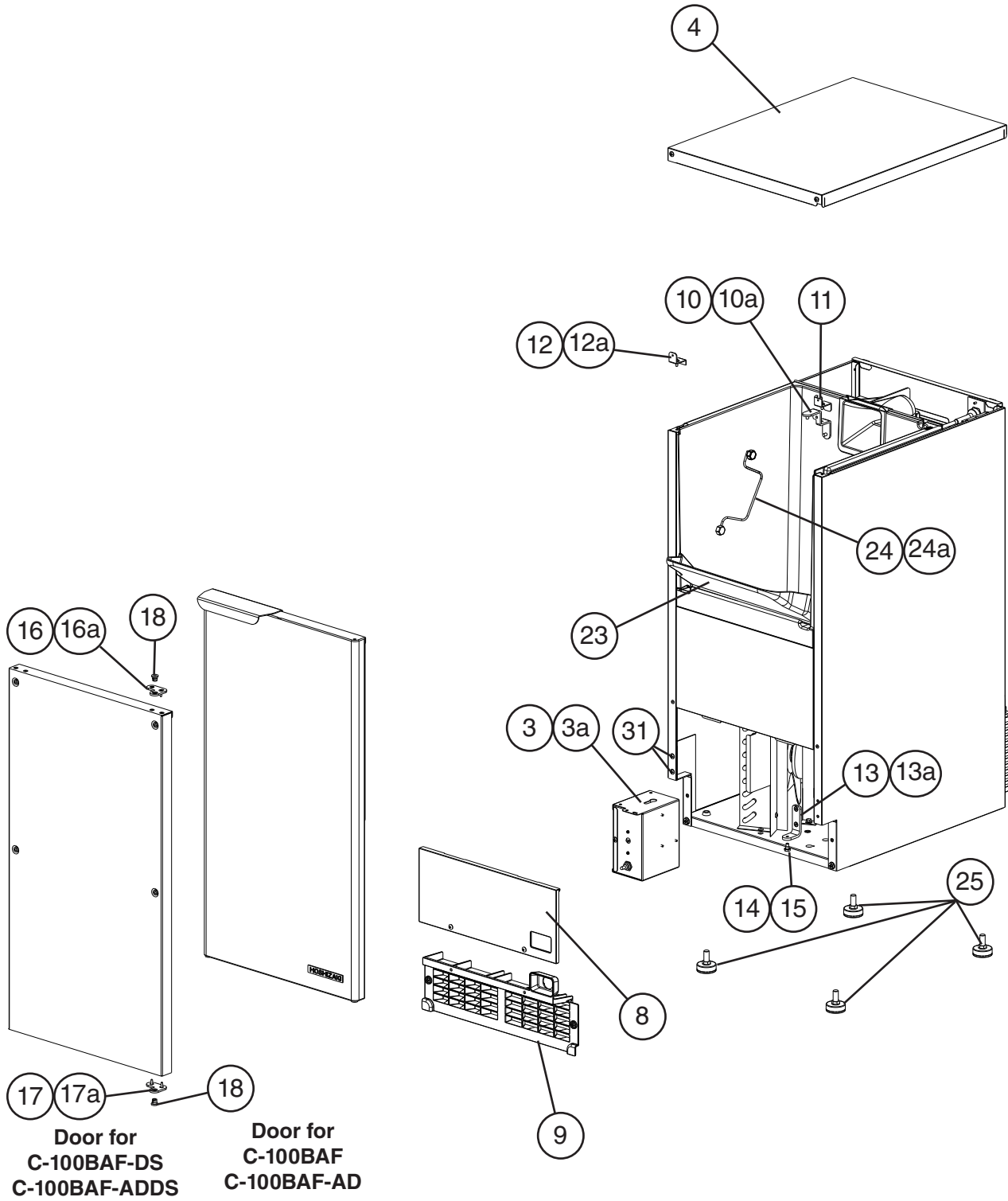
Most assemblies cannot be ordered as complete units; parts in the assemblies generally must be ordered separately.

A. Ice Flaker Assembly

1/2

C-100BAF, C-100BAF-DS, C-100BAF-AD, C-100BAF-ADDS

V-0 to A-2



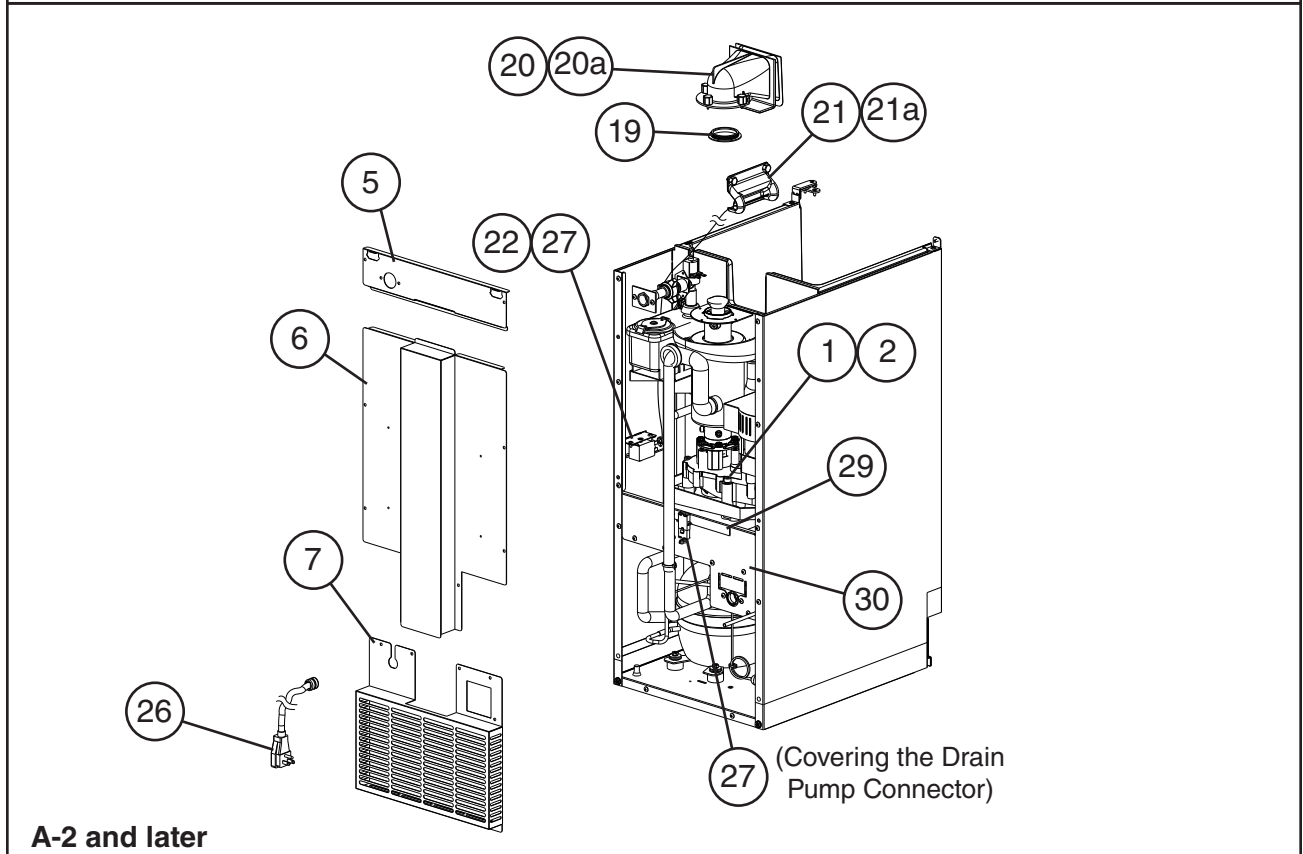
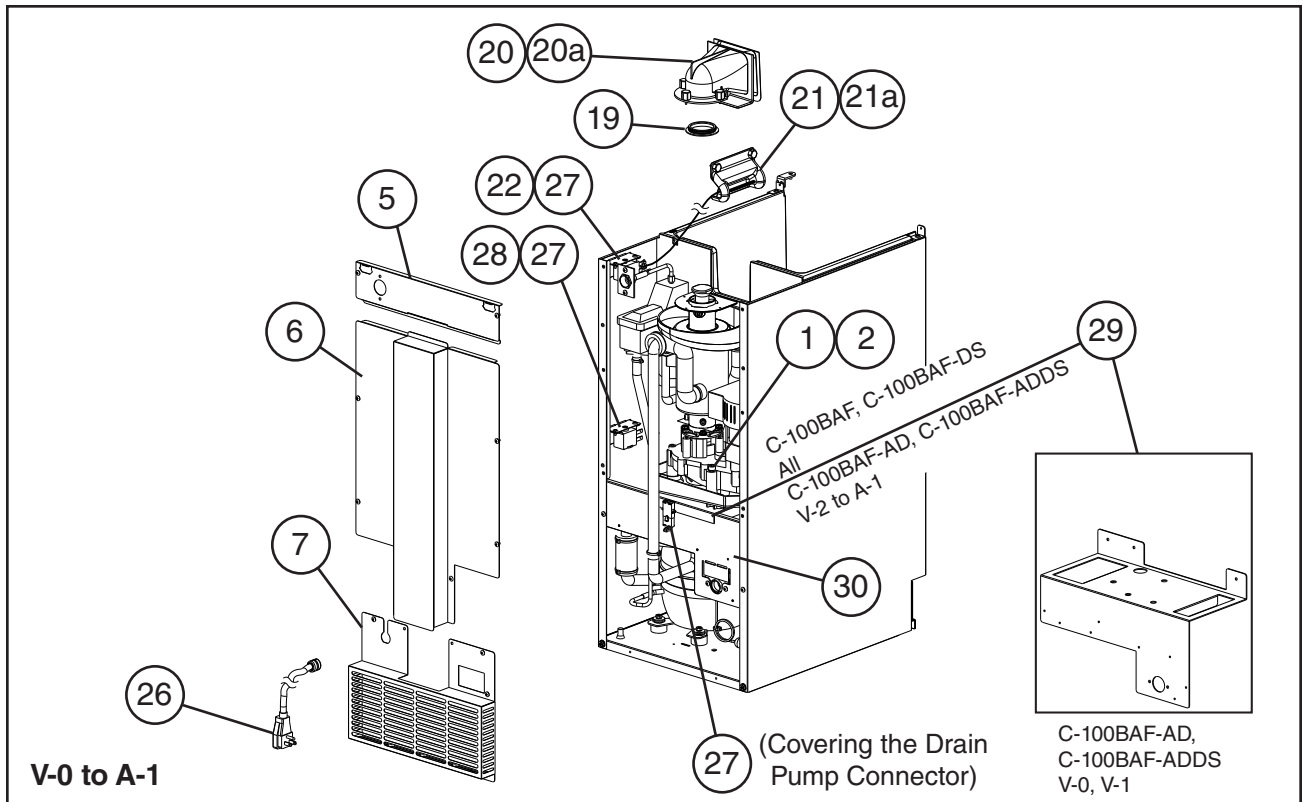
For Doors, see Section "F"

A. Ice Flaker Assembly

2/2

C-100BAF, C-100BAF-DS, C-100BAF-AD, C-100BAF-ADDS

V-0 to A-2



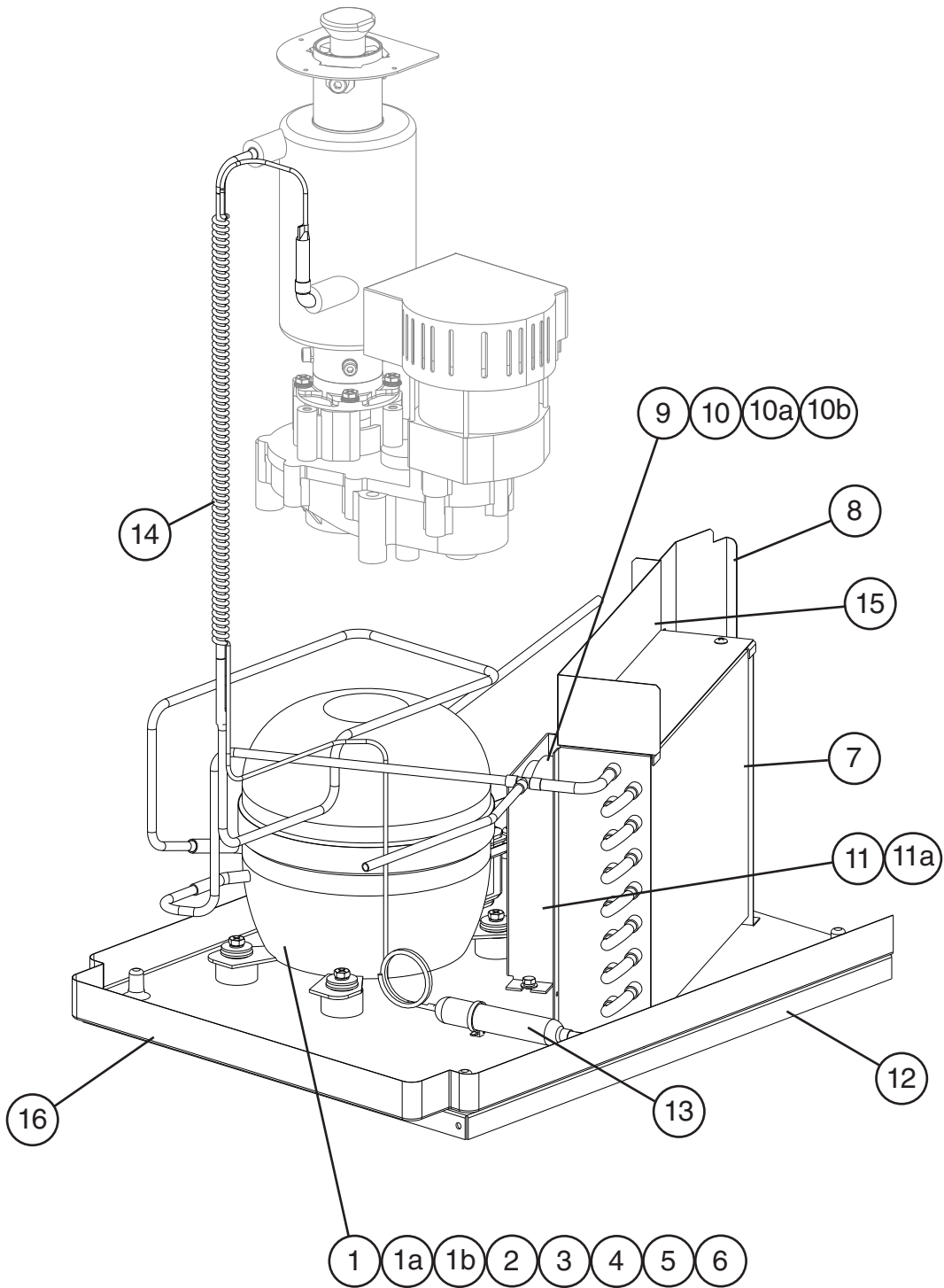
Title: A. Ice Flaker Assembly Model: C-100BAF, C-100BAF-DS, C-100BAF-AD, C-100BAF-ADDS											
Index No.	Description	Material or Model Number	Part Number	Required Number							
				V-0 V-1	V-2 to A-1 (E)	A-1 (F)	A-2				
Ice Flaker Assembly Order Assembly Parts Individually	C-100BAF		1A2128A01	1	1	1	-				
			1A2229A01				1				
	C-100BAF-DS		1A2128A02	1	1	1	-				
			1A2229A02				1				
	C-100BAF-AD		1A2110A01	1	1	1	-				
			1A2228A01				1				
C-100BAF-ADDS		1A2110A02	1	1	1	-					
		1A2228A02				1					
1	Socket Head Cap Screw	8x95, SS	7S12-0895	2	2	2	2				
2	Split Lock Washer	M8, SS	7L22-0800	2	2	2	2				
3	Taper Collar		4H0171-01	1	1	1	1				
3a	Flat Head Screw	4x12, SS	7P22-0412	1	1	1	1				
4	Top Panel		2A2849G01	1	1	1	1				
5	Top Panel Bracket		3A5844-01	1	1	1	-				
			3A6654-01				1				
6	Upper Rear Panel		2A6047-01	1	1	1	1				
7	Rear Panel	C-100BAF	2A6345-01	1	1	1	1				
		C-100BAF-DS									
		C-100BAF-AD C-100BAF-ADDS									
8	Front Panel	C-100BAF	3X6433-01	1	1	1	1				
		C-100BAF-DS									
		C-100BAF-AD C-100BAF-ADDS									
9	Louver		2H5560-01	1	1	1	1				
10	Hinge A	C-100BAF C-100BAF-AD	4Y0194G01	1	1	1	1				
	Right Hinge A	C-100BAF-DS C-100BAF-ADDS	4A4885G01	1	1	1	1				
	Left Hinge A (option)	C-100BAF-DS C-100BAF-ADDS	4A4895G01	1	1	1	1				
10a	Truss Head Screw	4x10, SS	7C32-0410	1	1	1	1				
11	Hinge A Bracket		4A2996-01	1	1	1	1				
12	Top Brace		4Y0193-01	1	1	1	1				
12a	Truss Head Screw	4x10, SS	7C32-0410	1	1	1	1				
13	Hinge B	C-100BAF C-100BAF-AD	4Y0192-01	1	1	1	1				
		C-100BAF-DS C-100BAF-ADDS	4A3980-01	1	1	1	1				
13a	Flat Head Screw	4x12, SS	7C22-0412	2	2	2	2				
14	Hinge Stop Pin		4A2180-01	1	1	1	1				
15	Tooth Washer	M6, SS	7R22-0600	1	1	1	1				
16	Hinge C Assembly (UR, LL) (includes one of item 18)	C-100BAF-DS C-100BAF-ADDS	4A3983G01	1	1	1	1				
16a	Flat Head Screw	C-100BAF-DS C-100BAF-ADDS 4x12, SS	7C22-0412	2	2	2	2				

Title: A. Ice Flaker Assembly Model: C-100BAF, C-100BAF-DS, C-100BAF-AD, C-100BAF-ADDS											
Index No.	Description	Material or Model Number	Part Number	Required Number							
				V-0 V-1	V-2 to A-1 (E)	A-1 (F)	A-2				
17	Hinge C Assembly (LR, UL) (includes one of item 18)	C-100BAF-DS C-100BAF-ADDS	4A3983G02	1	1	1	1				
17a	Flat Head Screw	C-100BAF-DS C-100BAF-ADDS 4x12, SS	7C22-0412	2	2	2	2				
18	Bushing	C-100BAF-DS C-100BAF-ADDS	417486-01	2	2	2	2				
19	Packing		427151-01	1	1	1	1				
20	Spout		2A5868-01	1	1	-					
			2A6636-01			1	1				
20a	Thumbscrew		415949G12	3	3	3	3				
21	Thermostat Holder		3X6381-01	1	1	1	1				
21a	Thumbscrew		415949G10	2	2	2	2				
22	Thermostat Assembly (Bin Control)		3A2561A03	1	1	1	1				
23	Slope		3X6383-01	1	1	1	1				
24	Scoop Holder		4Y0213-01	1	1	1	1				
24a	Thumbscrew		415949G10	2	2	2	2				
25	Leg		4A2966-01	4	4	4	4				
26	Power Supply Cord		4A2860-01	1	1	1	1				
27	Bag		4X1559-03	3	3	3	2				
28	Thermostat (Suction)		4A2879-01	1	1	1	-				
29	Gear Motor Base A	C-100BAF C-100BAF-DS	3A6264G01	1	1	1	1				
	Gear Motor Base	C-100BAF-AD	3A5843G01	1	-						
	Gear Motor Base A	C-100BAF-ADDS	3A6264G01		1	1	1				
30	Gear Motor Base B	C-100BAF C-100BAF-DS	3A6271-01	1	1	1	1				
		C-100BAF-AD C-100BAF-ADDS	3A6271-01		1	1	1				
31	Truss Head Screw (filler screws)	4x10, SS	7C32-0410	2	2	2	2				

B. Refrigeration Circuit

C-100BAF, C-100BAF-DS, C-100BAF-AD, C-100BAF-ADDS

V-0 to A-2

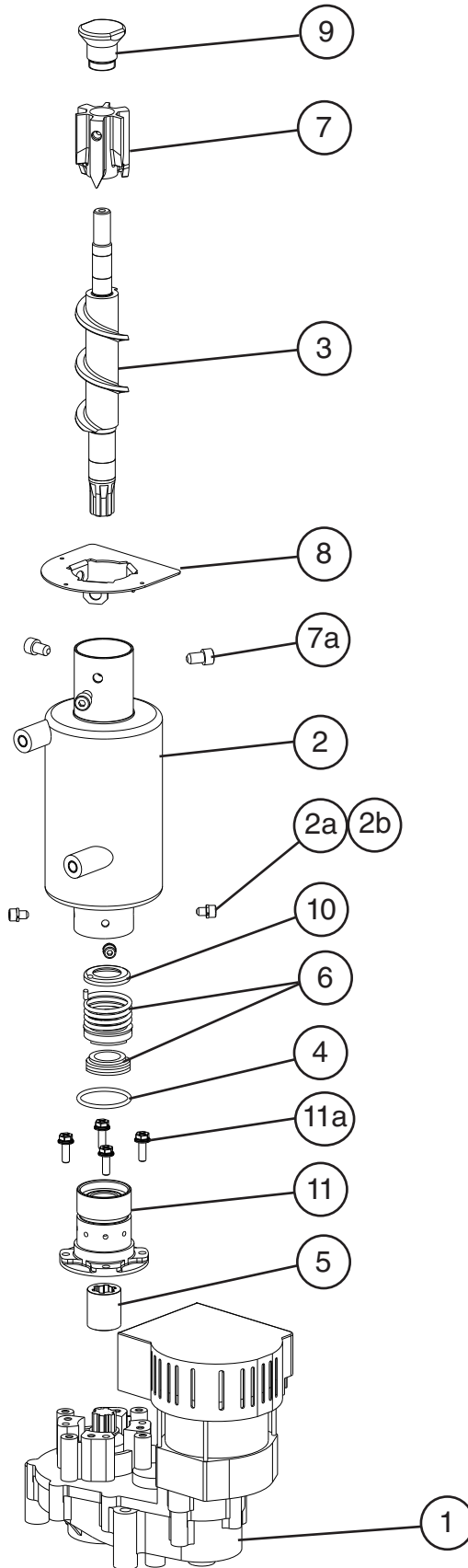


Title: B. Refrigeration Circuit Model: C-100BAF, C-100BAF-DS, C-100BAF-AD, C-100BAF-ADDS												
Index No.	Description	Material or Model Number	Part Number	Required Number								
				V-0 to A-1	A-2							
Refrigeration Circuit Order Assembly Parts Individually		C-100BAF C-100BAF-DS	1A2125A01	1	1							
		C-100BAF-AD C-100BAF-ADDS	1A1969A01	1	1							
1	Compressor		455942-01	1	1							
1a	Rubber Grommet		438844-01	4	4							
1b	Bolt	M6	448834-01	4	4							
2	PTC Relay		456252-01	1	1							
3	Motor Protector		456254-01	1	1							
4	Protector Cover		456255-01	1	1							
5	Clamp		438846-01	1	1							
6	Clip		438847-01	1	1							
7	Condenser		2H5586-01	1	1							
8	Condenser Plate	C-100BAF C-100BAF-DS	4Y0199-01	1	1							
		C-100BAF-AD C-100BAF-ADDS	4Y0199-02	1	1							
9	Fan Motor		440916-01	1	1							
10	Fan Blade		3A4467-01	1	1							
10a	Washer		435983-01	1	1							
10b	Hex Nut		4A1345-01	1	1							
11	Fan Motor Bracket		4X6429-01	1	1							
11a	Hex Head Bolt w/Washer	5x10, SS	7B0230510	2	2							
12	Base		2A4849-01	1	1							
13	Drier		445655-04	1	1							
14	Heat Exchanger		3A5876G01	1	1							
15	Condenser Guide	C-100BAF C-100BAF-DS	4Y0200-01	1	1							
16	Drip Tray		3A6791-01		1							

C. Ice Making Unit

C-100BAF, C-100BAF-DS, C-100BAF-AD, C-100BAF-ADDS

V-0 to A-2

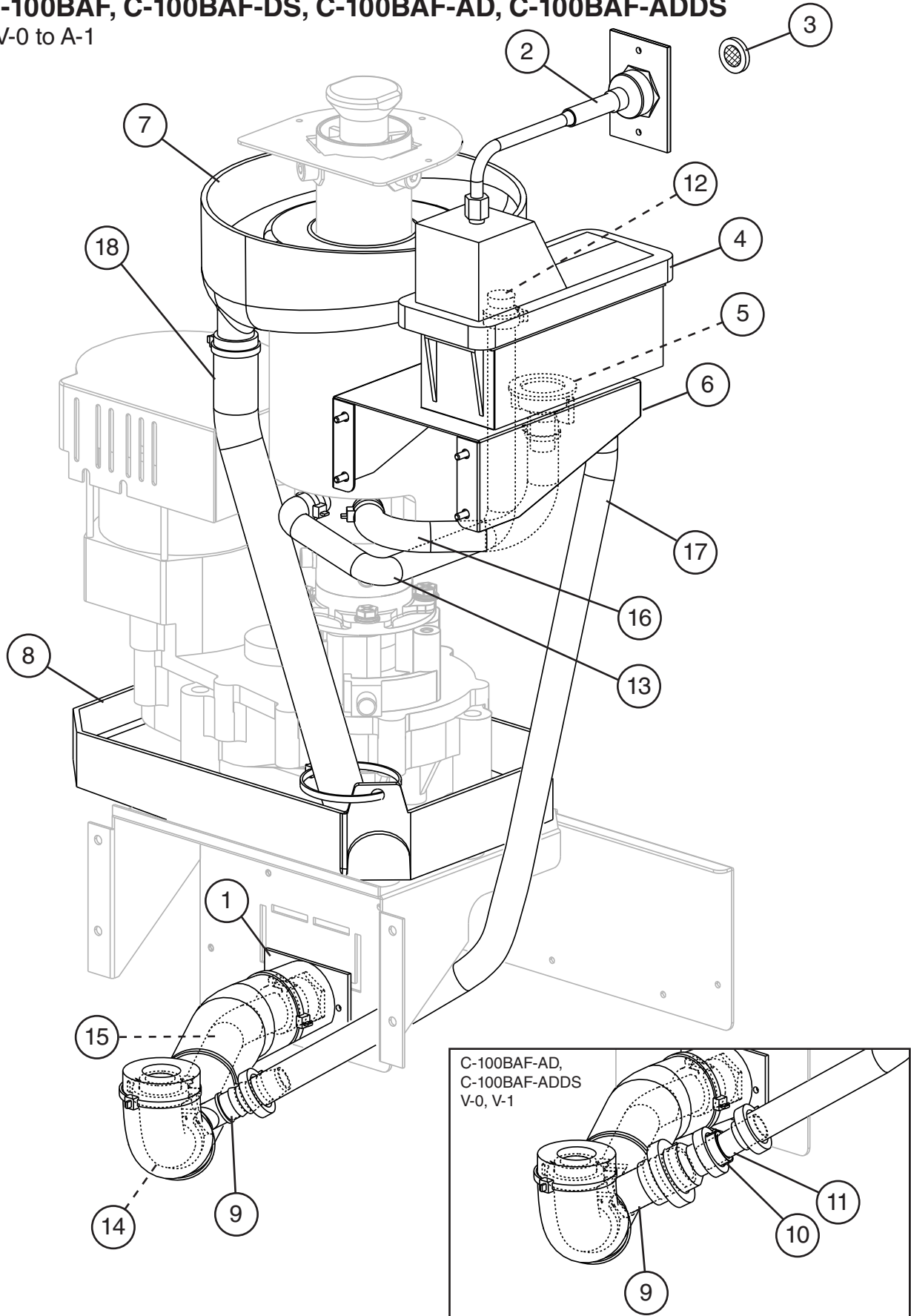


Title: C. Ice Making Unit Model: C-100BAF, C-100BAF-DS, C-100BAF-AD, C-100BAF-ADDS											
Index No.	Description	Material or Model Number	Part Number	V-0 to A-2	Required Number						
Ice Making Unit Order Assembly Parts Individually			3A5875A01	1							
1	Gear Motor (for mounting hardware, see section "A" items 1 and 2)		2U0147-01	1							
2	Evaporator		364138G01	1							
2a	Split Lock Washer	M6, SS	7L22-0600	4							
2b	Socket Head Cap Screw	6x10, SS	7S12-0610	4							
3	Auger		364142G01	1							
4	"O" Ring		4A4755-01	1							
5	Spline Coupling		418316-01	1							
6	Mechanical Seal		432491-01	1							
7	Extruding Head		364141G01	1							
7a	Seal Bolt	M8, SS	P01768-01	3							
8	Evaporator Flange		4A5075-01	1							
9	Cutter		468824-01	1							
10	Ring		432494-01	1							
11	Housing		206013G03	1							
11a	Hex Head Bolt	6x20, SS	4A1989-01	4							

D. Water Circuit

C-100BAF, C-100BAF-DS, C-100BAF-AD, C-100BAF-ADDS

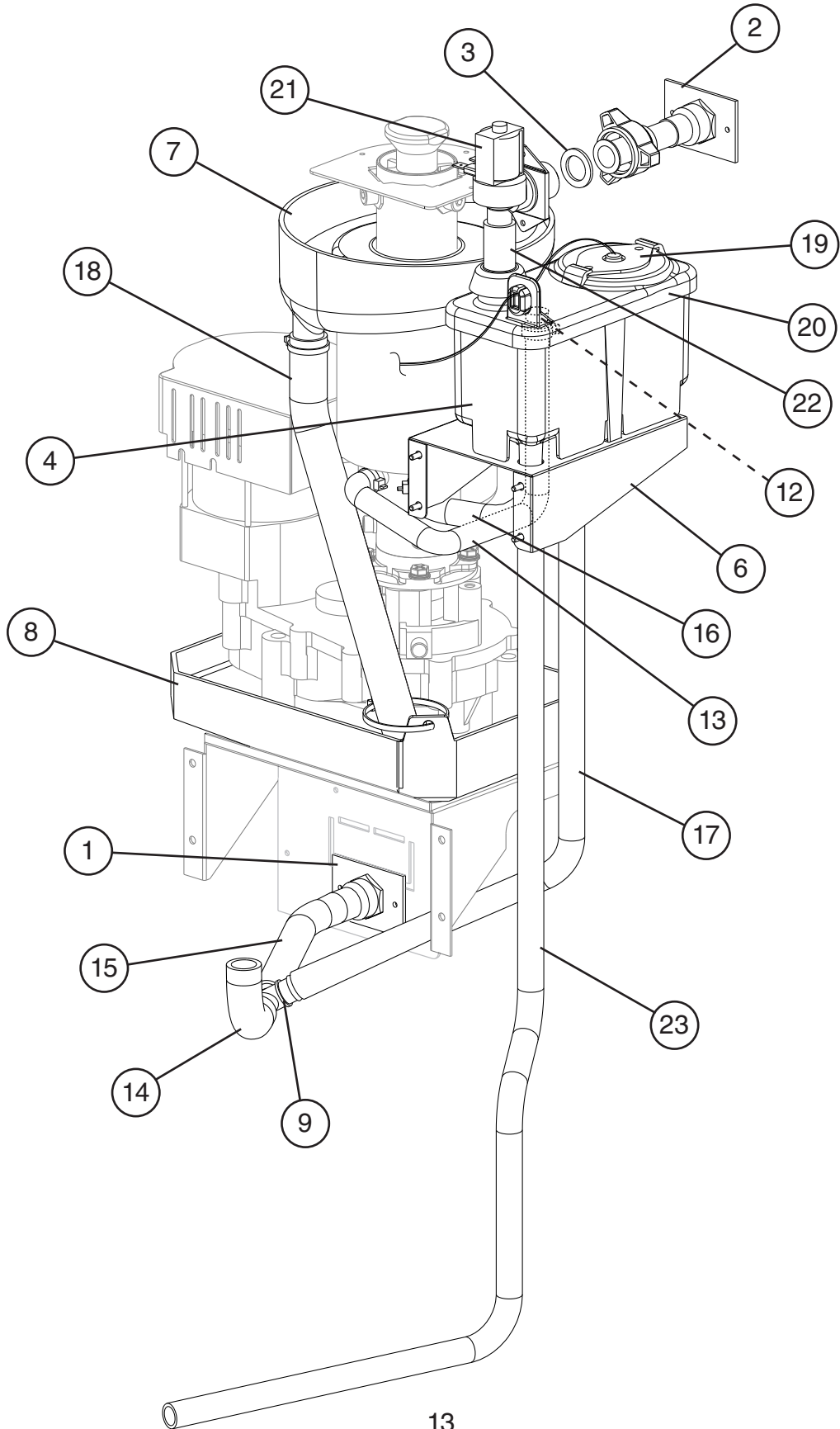
V-0 to A-1



D. Water Circuit

C-100BAF, C-100BAF-DS, C-100BAF-AD, C-100BAF-ADDS

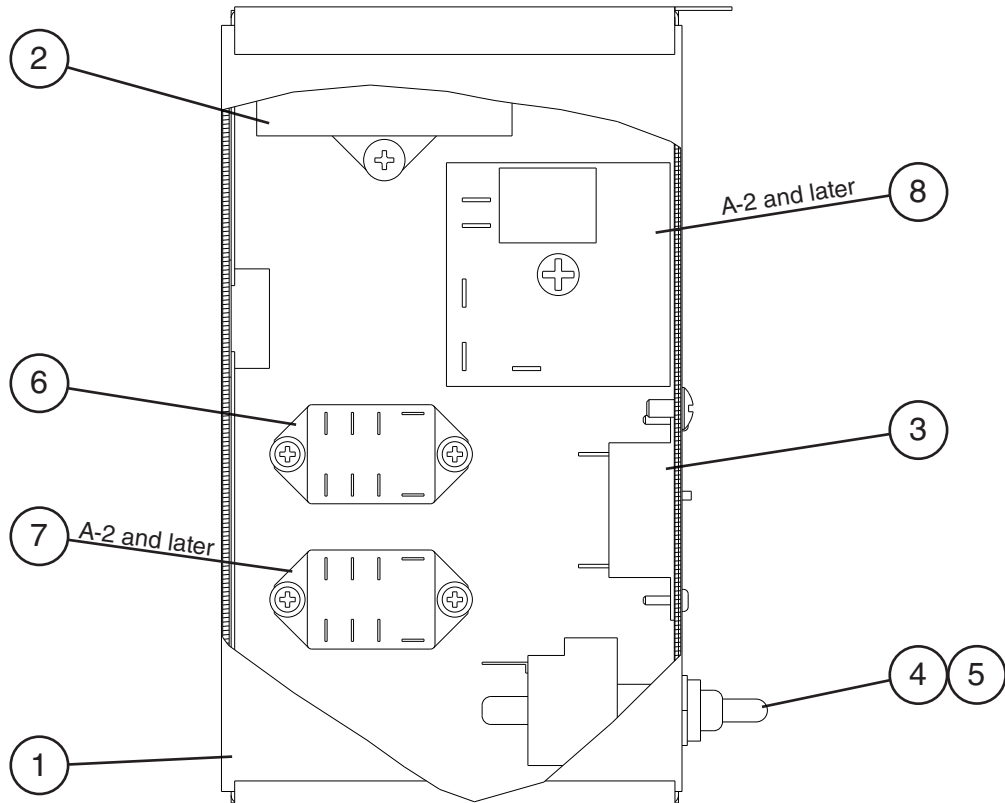
A-2 and later



Title: D. Water Circuit Model: C-100BAF, C-100BAF-DS, C-100BAF-AD, C-100BAF-ADDS												
Index No.	Description	Material or Model Number	Part Number	Required Number								
				V-0 V-1	V-2 to A-1	A-2						
Water Circuit Order Assembly Parts Individually		C-100BAF	2A5866A02	1	1	-						
		C-100BAF-DS	2A6588A01			1						
		C-100BAF-AD	2A5866A01	1	-							
		C-100BAF-ADDS	2A5866A02		1	-						
			2A6588A01				1					
1	Drain Fitting		4A3488G01	1	1	1						
2	Water Supply Pipe		4A5077G01	1	1	-						
			4A5216G05			1						
3	Strainer Washer		4A4738-01	1	1	-						
	Rubber Gasket		413854-03			1						
4	Reservoir		4A4369-01	1	1	-						
			2A6586-01			1						
5	Reservoir Spacer		4A5325-01	1	1	-						
6	Reservoir Bracket		3A5845-01	1	1	-						
			3A6653-01			1						
7	Drip Pan		2A4118-01	1	1	1						
8	Drain Pan (Gear Motor)		3A0766G01	1	1	1						
9	Tee	C-100BAF	4A5246-01	1	1	1						
		C-100BAF-DS										
		C-100BAF-AD	439663-01	1	-							
10	Drain Tube	C-100BAF-AD	4H2585-01	1	-							
		C-100BAF-ADDS										
11	Drain Pipe	C-100BAF-AD	4Y0211-02	1	-							
		C-100BAF-ADDS										
12	Plug		4A0176-01	1	1	1						
13	Silicone Hose (Evaporator Drain Hose)	L=295	773013896	1	1	1						
14	Storage Bin Hose		4A1165-08	1	1	1						
15	Vinyl Hose	L=165	7716-1519	1	1	1						
16	Silicone Hose	L=175	773013896	1	1	-						
		L=150							1			
17	Vinyl Hose	C-100BAF	7716-1216	1	1	-						
		C-100BAF-DS										
		L=495										
		C-100BAF	7716-1216	1	-			1				
		C-100BAF-DS										
L=460												
C-100BAF-AD												
C-100BAF-ADDS												
L=450												
C-100BAF-AD												
C-100BAF-ADDS												
L=495												
C-100BAF-AD												
C-100BAF-ADDS												
L=460												
18	Vinyl Hose	L=280	7725-1923	1	1	1						
19	Float Switch		435490-01			1						
20	Reservoir Cover		3A6698-01			1						

Title: D. Water Circuit Model: C-100BAF, C-100BAF-DS, C-100BAF-AD, C-100BAF-ADDS												
Index No.	Description	Material or Model Number	Part Number	Required Number								
				V-0 V-1	V-2 to A-1	A-2						
21	Water Valve		4A5251-05			1						
22	Reservoir Inlet		4A5388-01			1						
23	Silicone Hose	L=800	773013896			1						
Hose Clamps												
	Hose Clamp	C-100BAF-AD C-100BAF-ADDS	4A2017-01	1	-							
	Hose Clamp		4A2017-05			1						
	Hose Clamp		4A2017-06	4	3	2						
	Hose Clamp		4A2017-08	1	1	1						
	Hose Clamp		4A2017-09	2	2	1						
	Hose Clamp		4A2017-02			1						

E. Control Box Assembly
C-100BAF, C-100BAF-DS, C-100BAF-AD, C-100BAF-ADDS
 V-0 to A-2

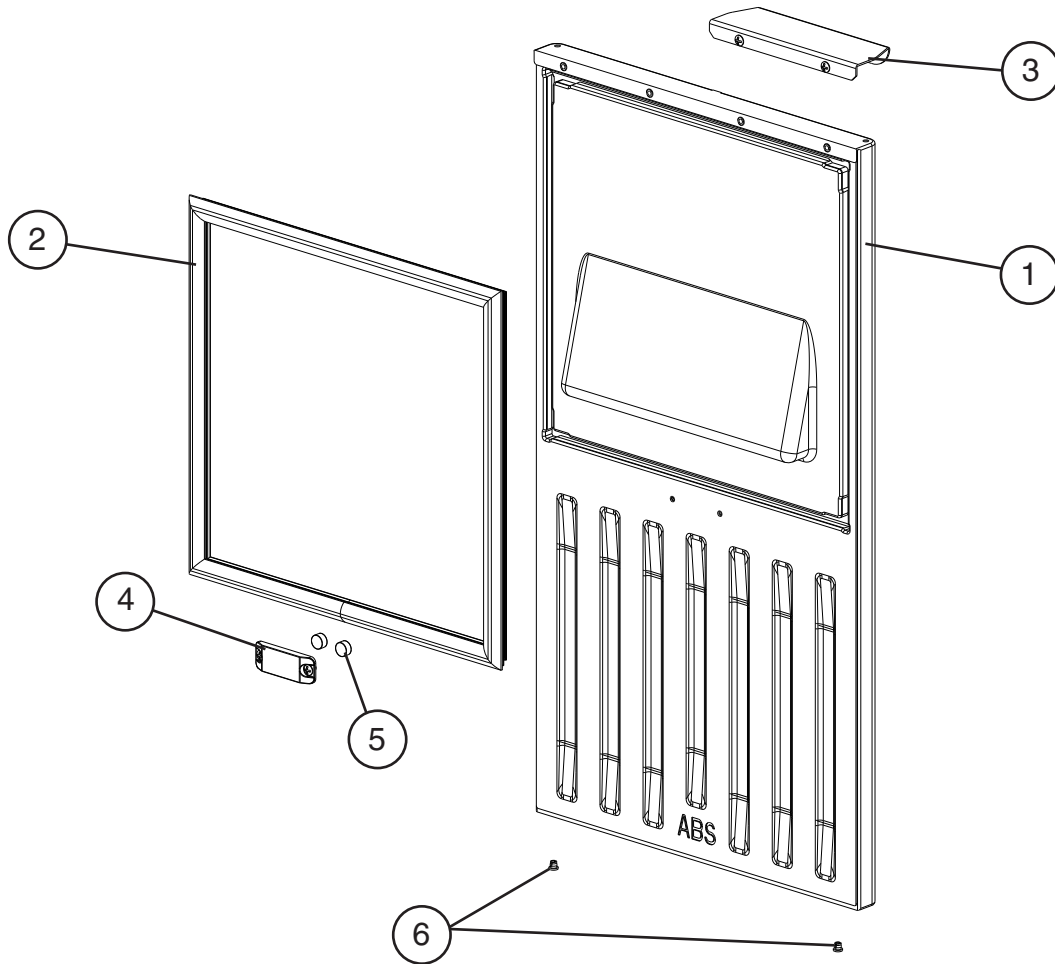


Title: E. Control Box Assembly		Model: C-100BAF, C-100BAF-DS, C-100BAF-AD, C-100BAF-ADDS		Required Number								
Index No.	Description	Material or Model Number	Part Number	V-0 to A-1	A-2							
Control Box Assembly Order Assembly Parts Individually (for mounting hardware, see section "A" items 3 and 3A)		C-100BAF	3A6327A01	1	-							
		C-100BAF-DS	3A6723A01		1							
		C-100BAF-AD	3A4820A01	1	-							
		C-100BAF-ADDS	3A6714A01		1							
1	Control Box Cover	C-100BAF	4A5267-01	1	1							
		C-100BAF-DS										
		C-100BAF-AD	4A4498-01	1	1							
		C-100BAF-ADDS										
2	Gear Motor Capacitor	10MFD, 280VAC	416921-05	1	1							
3	Protector		427253-01	1	1							
4	Power Switch		4A2332-01	1	1							
5	Cap		4A1937-01	1	1							
6	Compressor Relay		418271-03	1	1							
7	Water Control Relay		406132-07		1							
8	Time Delay Relay		4A5389-01		1							

F. Door Assembly

C-100BAF, C-100BAF-DS, C-100BAF-AD, C-100BAF-ADDS

V-0 to A-2

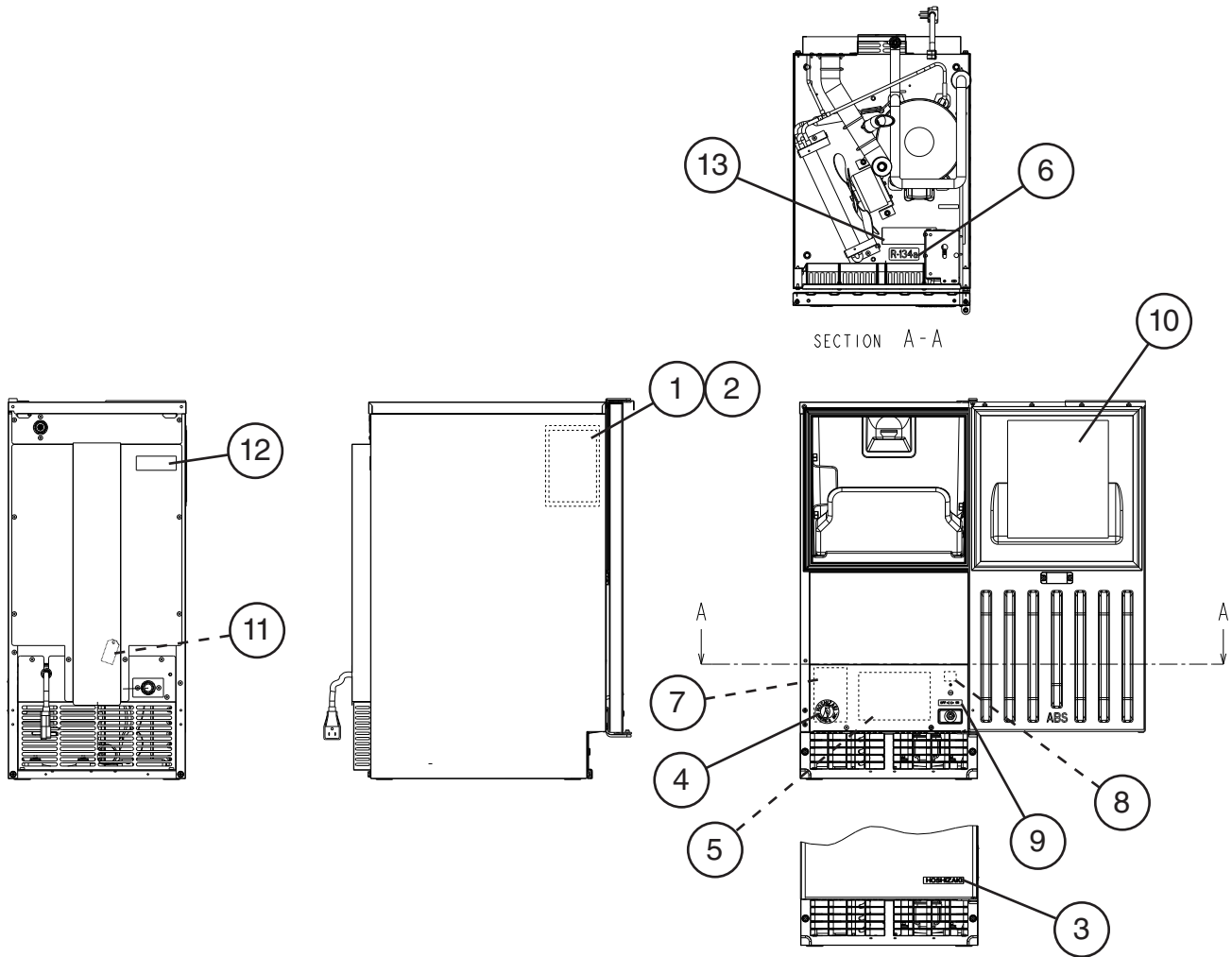


Title: F. Door Assembly		Model: C-100BAF, C-100BAF-DS, C-100BAF-AD, C-100BAF-ADDS		Required Number								
Index No.	Description	Material or Model Number	Part Number	V-0 to A-2								
Door Assembly Order Assembly Parts Individually		C-100BAF	2H5585A04	1								
		C-100BAF-DS	2A3683A03	1								
		C-100BAF-AD	2H5585A05	1								
		C-100BAF-ADDS	2A3683A04	1								
1	Door (C-100BAF and C-100BAF-AD door includes item 6)	C-100BAF	2H5577G01	1								
		C-100BAF-DS	2A3578G01	1								
		C-100BAF-AD	2H5577G02	1								
		C-100BAF-ADDS	2A3578G02	1								
2	Gasket		2A3017-01	1								
3	Handle	C-100BAF C-100BAF-AD	4A2867-01	1								
4	Magnet Holder		4Y0203-01	1								
5	Magnet		4A4686-01	2								
6	Bushing	C-100BAF	417486-01	2								
		C-100BAF-AD										

G. Label Location

C-100BAF, C-100BAF-DS, C-100BAF-AD, C-100BAF-ADDS

V-0 to A-2



Title: G. Label Location Model: C-100BAF, C-100BAF-DS, C-100BAF-AD, C-100BAF-ADDS													
Index No.	Description	Material or Model Number	Part Number	Required Number									
				V-0 to A-1	A-2								
Label Location Order Assembly Parts Individually		C-100BAF	3A5911A05	1	-								
			3A6715A03		1								
		C-100BAF-DS	3A5911A06	1	-								
			3A6715A04		1								
		C-100BAF-AD	3A5911A03	1	-								
			3A6715A01		1								
		C-100BAF-ADDS	3A5911A04	1	-								
			3A6715A02		1								
1	Nameplate	C-100BAF	3A5932-03	1	1								
		C-100BAF-DS	3A5932-04	1	1								
		C-100BAF-AD	3A5932-01	1	1								
		C-100BAF-ADDS	3A5932-02	1	1								
2	Nameplate Cover		4A3727-01	1	1								
3	Emblem	C-100BAF C-100BAF-AD	4A2112-01	1	1								
4	Penguin Label		456246-01	1	1								
5	Wiring Label		3A4823-01	1	-								
			3A6725-01		1								
6	R134a Label		444463-01	1	1								
7	Caution Label L		441560-01	1	-								
	Warning Label F		4A4923-01		1								
8	Reset Label		4A1319-01	1	1								
9	Control Label B		4A4374-01	1	1								
10	Maintenance Label		2A6227-01	1	-								
			2A6612-01		1								
11	Drain Pump Tag		4A3994-01	1	1								
12	Instruction Label		444575-01	1	1								
13	Warning Label K		4A4736-01		1								

H. Accessories & Packaging

C-100BAF, C-100BAF-DS, C-100BAF-AD, C-100BAF-ADDS

V-0 to A-2

Title: H. Accessories & Packaging Model: C-100BAF, C-100BAF-DS, C-100BAF-AD, C-100BAF-ADDS												
Index No.	Description	Material or Model Number	Part Number	V-0 to A-2	Required Number							
1	Instruction Manual		91A2UC10F	1								
2	Scoop		204336-01	1								
3	Drain Elbow	For use with optional Drain Pump Kit HS-0248	4A1165-11	1								
4	Hose Clamp		4A2017-09	2								
5	Canoe Clip	C-100BAF-DS C-100BAF-ADDS	4A0629-02	2								
6	Sheet Metal Bracket	C-100BAF-DS C-100BAF-ADDS	4A3998-01	1								
6a	Truss Head Screw	C-100BAF-DS C-100BAF-ADDS 4x8, SS	7C32-0408	2								
6b	T2 Screw	C-100BAF-DS C-100BAF-ADDS 4x8, SS	7P32-0408	3								
7	Threaded Wood Insert	C-100BAF-DS C-100BAF-ADDS	4A4004-01	6								
8	Pan Head Screw	C-100BAF-DS C-100BAF-ADDS 4x25, SS	7C12-0425	4								
	Packaging	C-100BAF	1A2114A01									
		C-100BAF-DS	1A2114A03									
		C-100BAF-AD	1A2114A02									
		C-100BAF-ADDS	1A2114A04									