

Hoshizaki America, Inc.

Commercial Series Refrigerated Kitchen Equipment

Models

Undercounter, Worktop, Prep Table
CRM_27, CRM_48, CRM_60, CRM_72



“A Superior Degree
of Reliability”

www.hoshizaki.com

PARTS LIST



Number: 71335
Issued: 8-19-2011
Revised: 11-24-2015

CONTENTS

Auxiliary Codes.....	3
Model Codes	10
A. Main Assembly	11
CRMR27 and CRMF27 Undercounter, Worktop, and Prep Table	11
CRMR48 and CRMF48 Undercounter, Worktop, and Prep Table	13
CRMR60 and CRMF60 Undercounter, Worktop, and Prep Table	16
CRMR72 Undercounter, Worktop, and Prep Table	19
B. Refrigeration Circuit.....	22
CRMR27 Undercounter, Worktop, and Prep Table	22
CRMF27 Undercounter and Worktop	24
CRMR48 Undercounter, Worktop, and Prep Table	26
CRMF48 Undercounter and Worktop	28
CRMR60 Undercounter, Worktop, and Prep Table	30
CRMF60 Undercounter and Worktop	32
CRMR72 Undercounter, Worktop, Prep Table	34
C. Door-Right Hinged.....	36
D. Door-Left Hinged	38
E. Drawer	40
F. Accessories & Labels	41

Auxiliary Codes

27

Refrigerator

CRMR27	A-5	July 2011
	B-5	January 2012
	C-5	January 2013
	C-6	June 2013
	C-7	September 2013
	C-8	December 2013
	D-5	January 2014
	D-6	June 2014
	D-7	July 2014
	E-5	January 2015
	E-6	November 2015
CRMR27-D	C-5	December 2013
	C-5	February 2014
	D-5	February 2014
	D-6	August 2014
	E-5	January 2015
	E-6	June 2015
CRMR27-LP	D-5	January 2014
	D-6	June 2014
	D-7	October 2014
	E-5	June 2015
	E-6	November 2015
CRMR-LPC	E-5	September 2015
CRMR27-01	C-7	September 2013
	D-5	April 2014
	D-6	June 2014
	D-7	September 2014
	E-5	February 2015
	E-6	November 2015
CRMR27-W	A-5	December 2011
	B-5	January 2012
	C-5	January 2013
	D-5	May 2014
	D-6	June 2014
	E-5	March 2015
CRMR27-WD	D-5	February 2014
	D-6	July 2014
	E-5	February 2015
	E-6	September 2015
CRMR27-W01	B-5	August 2012
	E-5	February 2015

27 Refrigerator (continued)

CRMR27-8	B-5	March 2012
	C-5	January 2013
	C-6	June 2013
	C-7	December 2013
	D-5	January 2014
	D-6	June 2014
	D-7	July 2014
	D-8	September 2014
	E-5	January 2015
	E-6	April 2015
	E-7	June 2015
CRMR27-8D	D-5	April 2014
	D-6	July 2014
	D-8	September 2014
	E-6	April 2015
	E-7	October 2015
CRMR27-12M	B-5	February 2012
	C-5	January 2013
	C-6	May 2013
	C-7	November 2013
	D-5	February 2014
	D-6	June 2014
	D-7	August 2014
	D-8	September 2014
	E-5	January 2015
	E-6	April 2015
	E-7	June 2015
	E-8	November 2015
CRMR27-12MD	D-5	February 2014
	D-8	September 2014
	E-6	April 2015

27 Auxiliary Codes, continued

Freezer

CRMF27	A-5	July 2011
	B-5	January 2012
	C-5	January 2013
	C-6	June 2013
	C-7	November 2013
	D-5	January 2014
	D-6	May 2014
	D-7	June 2014
	E-5	January 2015
E-6	November 2015	
CRMF27-D	D-5	May 2014
	D-7	June 2014
	E-6	October 2015
CRMF27-LP	D-5	January 2014
	D-7	June 2014
	E-5	October 2015
	E-6	November 2015
CRMF27-01	C-5	October 2013
	D-7	September 2014
	E-5	February 2015
	E-6	November 2015
CRMF27-W	A-5	December 2011
	B-5	January 2012
	C-5	January 2013
	C-6	June 2013
	C-7	December 2013
	D-5	January 2014
	D-6	May 2014
	D-7	June 2014
	E-5	January 2015
E-6	November 2015	
CRMF27-WD	D-5	May 2014
	D-7	October 2014
	E-5	January 2015
	E-6	August 2015
CRMF27-W01	E-5	April 2015

Auxiliary Codes, continued

48

Refrigerator

CRMR48	A-5	August 2011
	B-5	January 2012
	C-5	January 2013
	C-6	June 2013
	D-5	January 2014
	D-6	October 2014
	E-5	January 2015
CRMR48-D4	D-5	March 2014
	D-6	September 2014
	E-6	September 2015
CRMR48-01	B-5	August 2012
	D-5	April 2014
	D-6	June 2014
	E-5	February 2015
CRMR48-W	A-5	December 2011
	B-5	February 2012
	C-5	January 2013
	C-6	June 2013
	C-7	September 2013
	C-8	December 2013
	D-5	February 2014
	D-6	June 2014
	E-5	January 2015
	E-6	July 2015
CRMR48-WD4	D-5	March 2014
	D-6	June 2014
	E-5	May 2015
	E-6	September 2015
CRMR48-W01	C-5	February 2013
	E-5	February 2015
CRMR48-8	B-5	March 2012
	C-5	February 2013
	C-6	June 2013
	C-7	November 2013
	D-5	May 2014
	D-7	August 2014
	D-8	October 2014
	E-6	April 2015
	E-7	August 2015
	E-8	November 2015

48 Refrigerator (continued)

CRMR48-12	B-5	March 2012
	C-5	January 2013
	C-6	May 2013
	C-7	October 2013
	D-5	January 2014
	D-6	June 2014
	D-7	July 2014
	D-8	September 2014
	E-5	January 2015
	E-6	April 2015
	E-7	June 2015
	E-8	November 2015
CRMR48-12M	B-5	March 2012
	C-5	February 2013
	C-6	June 2013
	E-5	February 2015
	E-6	April 2015
	E-7	June 2015
	E-8	November 2015
CRMR48-12D4	D-5	April 2014
	D-7	August 2014
	D-8	October 2014
	E-6	April 2015
	E-7	August 2015
CRMR48-18M	B-5	February 2012
	C-5	January 2013
	C-6	May 2013
	C-7	November 2013
	D-5	January 2014
	D-6	July 2014
	D-7	August 2014
	D-8	September 2014
	E-5	January 2015
	E-6	April 2015
	E-7	June 2015
	E-8	November 2015
CRMR48-18MD4	D-5	April 2014
	E-5	February 2015
	E-6	May 2015
	E-7	July 2015

48 Auxiliary Codes, continued

Freezer

CRMF48	A-5	August 2011
	B-5	January 2012
	B-6	July 2012
	C-5	January 2013
	C-6	June 2013
	C-7	September 2013
	C-8	November 2013
	D-5	January 2014
	D-6	February 2014
	D-7	July 2014
	E-5	February 2015
CRMF48-D4	E-5	February 2015
	E-6	October 2015
CRMF48-01	D-5	November 2014
	E-5	March 2015
CRMF48-W	A-5	December 2011
	B-5	February 2012
	B-6	July 2012
	C-5	March 2013
	C-6	June 2013
	C-7	November 2013
	D-5	January 2014
	D-6	March 2014
	D-7	July 2014
	D-8	October 2014
	E-5	January 2015
CRMF48-WD4	E-6	June 2015
CRMF48-W01	E-5	June 2015

Auxiliary Codes, continued

60

Refrigerator

CRMR60	B-5	August 2012
	C-5	January 2013
	C-6	July 2013
	D-5	January 2014
	D-6	June 2014
	D-7	August 2014
	D-9	September 2014
	E-5	January 2015
CRMR60-D4	E-5	January 2025
CRMR60-W	B-5	August 2012
	C-5	January 2013
	C-6	October 2013
	C-7	November 2013
	D-5	January 2014
	D-6	June 2014
	D-7	July 2014
	D-9	November 2014
	E-5	February 2015
CRMR60-WD4	E-5	April 2015
	E-6	June 2015
CRMR60-8	C-5	May 2013
	C-6	July 2013
	C-7	September 2013
	E-6	April 2015
	E-7	June 2015
	E-8	September 2015
	E-9	November 2015
CRMR60-12	C-5	April 2013
	C-6	June 2013
	D-6	May 2014
	D-7	July 2014
	D-8	August 2014
	D-9	September 2014
	E-5	February 2015
	E-6	April 2015
	E-7	July 2015
	E-8	September 2015
	E-9	November 2015
CRMR60-12M	C-5	March 2013
	C-6	May 2013
	C-7	September 2013

60 Refrigerator (continued)

CRMR60-16	C-5	February 2013
	C-6	May 2013
	C-7	September 2013
	D-6	February 2014
	E-5	January 2015
	E-6	April 2015
	E-7	June 2015
	E-8	October 2015
	E-9	November 2015
CRMR60-18M	C-5	March 2013
	C-6	May 2013
	C-7	September 2013
	C-8	November 2013
	D-6	May 2014
	D-9	September 2014
	E-5	January 2015
	E-6	May 2015
	E-7	June 2015
	E-8	September 2015
	E-9	November 2015
CRMR60-24M	C-5	February 2013
	C-6	May 2013
	C-7	July 2013
	C-8	November 2013
	D-5	January 2014
	D-6	February 2014
	D-7	July 2014
	D-8	August 2014
	D-9	September 2014
	E-5	January 2015
	E-6	May 2015
	E-7	July 2015
	E-8	September 2015
	E-9	November 2015
CRMR60-24MD4	E-5	February 2015
	E-6	May 2015
	E-7	July 2015
	E-8	September 2015
	E-9	November 2015

60 Auxiliary Codes, continued

Freezer

CRMF60	C-5	January 2013
	C-6	September 2013
	C-7	November 2013
	D-6	March 2014
	D-8	September 2014
	E-5	March 2015
CRMF60-W	C-5	February 2013
	C-6	September 2013
	C-7	November 2013
	D-5	January 2014
	D-6	April 2014
	D-7	July 2014
	E-5	February 2015

Auxiliary Codes, continued

72

Refrigerator

CRMR72	B-5	July 2012
	C-5	January 2013
	C-6	June 2013
	C-7	December 2013
	D-5	April 2014
	D-6	June 2014
	D-7	July 2014
	E-5	January 2015
CRMR72-D6	D-5	December 2014
	E-5	May 2015
CRMR72-W	B-5	August 2012
	C-5	January 2013
	C-6	June 2013
	D-5	February 2014
	D-6	June 2014
	D-7	August 2014
	E-5	February 2015
CRMR72-WD6	E-5	March 2015
	E-7	June 2015
CRMR72-12	C-5	April 2013
	C-6	June 2013
	C-7	September 2013
	D-8	August 2014
	D-9	October 2014
	E-5	March 2015
	E-6	April 2015
	E-7	June 2015
	E-8	October 2015
	E-9	November 2015
CRMR72-16	C-5	April 2013
	C-6	June 2013
	C-7	September 2013
	E-7	June 2015
	E-9	November 2015

72 Refrigerator (continued)

CRMR72-18	C-5	February 2013
	C-6	July 2013
	C-7	September 2013
	C-8	November 2013
	D-6	February 2014
	D-7	July 2014
	D-8	August 2014
	D-9	September 2014
	E-5	January 2015
	E-6	April 2015
	E-7	June 2015
	E-8	October 2015
	E-9	November 2015
CRMR72-18M	C-5	May 2013
	C-6	July 2013
	C-7	October 2013
	C-8	November 2013
	D-8	September 2014
CRMR72-24M	C-5	May 2013
	C-6	August 2013
	C-7	September 2013
	D-8	August 2014
	E-6	May 2015
	E-8	October 2015
	E-9	November 2015
CRMR72-30M	C-5	January 2013
	C-6	May 2013
	C-7	July 2013
	C-8	November 2013
	D-5	January 2014
	D-6	February 2014
	D-7	July 2014
	D-8	August 2014
	D-9	November 2014
	E-5	January 2015
	E-6	April 2015
	E-7	June 2015
	E-8	September 2015
	E-9	November 2015
CRMR72-30MD6	E-5	January 2015

Model Codes

The model number code breakdown is as follows: CRMR__ and CRMF__

C – Commercial Series

RM – Rear Mount

R – Refrigerator

F – Freezer

27, 48, 60, and 72 – width

After Dash (-) Nomenclature:

-01 – Locks

-W – Worktop

-D, -D4, -D6 – Drawers

-8, -12, -16, -18, -24, -30 – Prep Table Number of Pans

-8M, -12M, -16M, -18M, -24M, -30M – Mega Top Number of Pans

-LP – Low Profile Casters

-LPC – Low Profile Stainless Steel Shelf

Auxiliary Code Breakdown

The auxiliary code is the first two characters in the serial number. The first character indicates the year. Years progress or regress in alphabetical order. The series runs from "A" through "V" and the letters "I" and "O" are skipped. The second character indicates significant part changes within a year. Base is "5" and this number advances for each change. In cases where there is a letter in parentheses, this designates the month. This is the last character in the serial number. The series runs from "(A)" through "(M)" and the letter "(I)" is skipped. This designation is only included when identifying a parts change within an auxiliary code.

Note About Ordering Parts

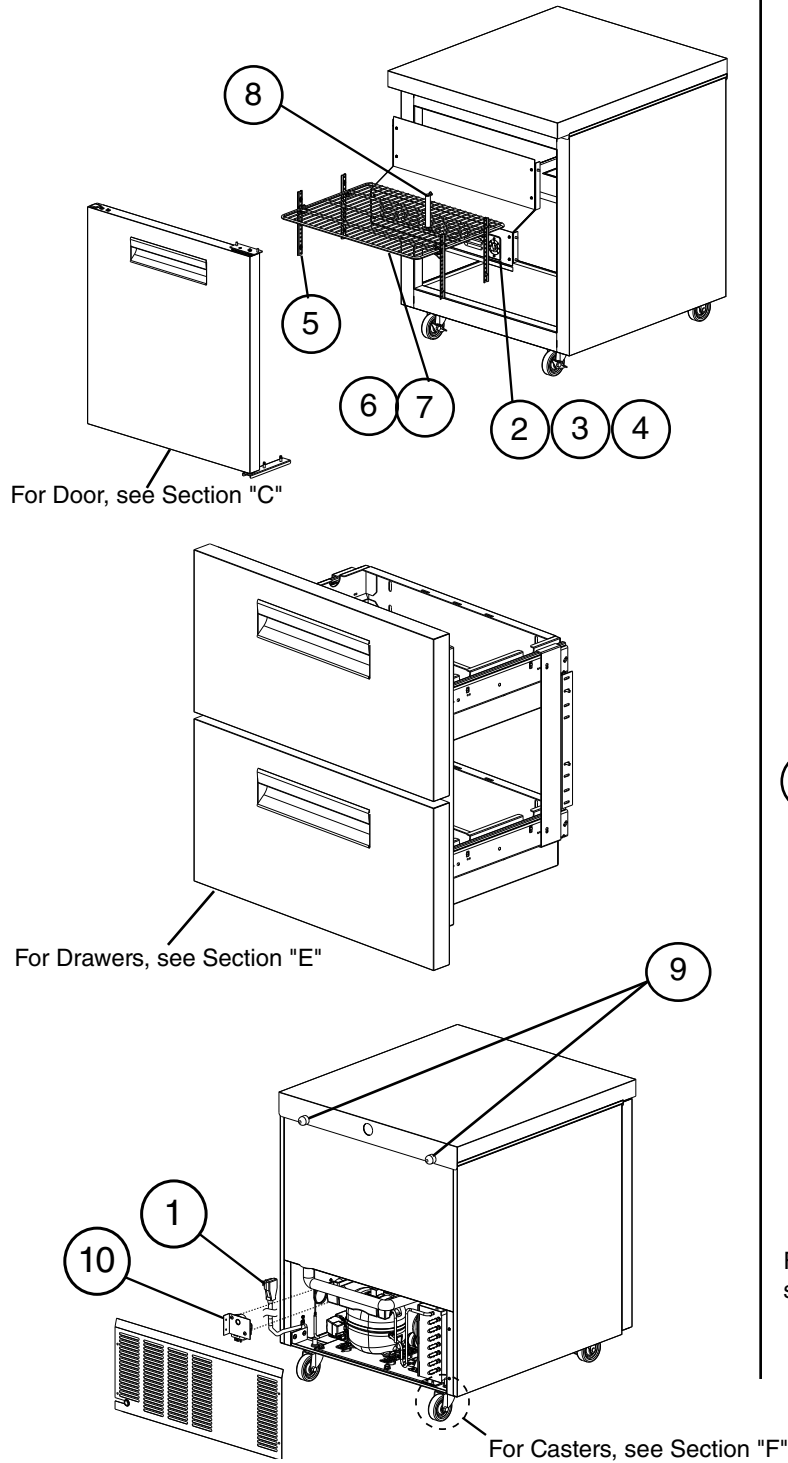
Most assemblies cannot be ordered as complete units; parts in the assemblies generally must be ordered separately.

A. Main Assembly

CRMR27 and CRMF27 Undercounter, Worktop, and Prep Table

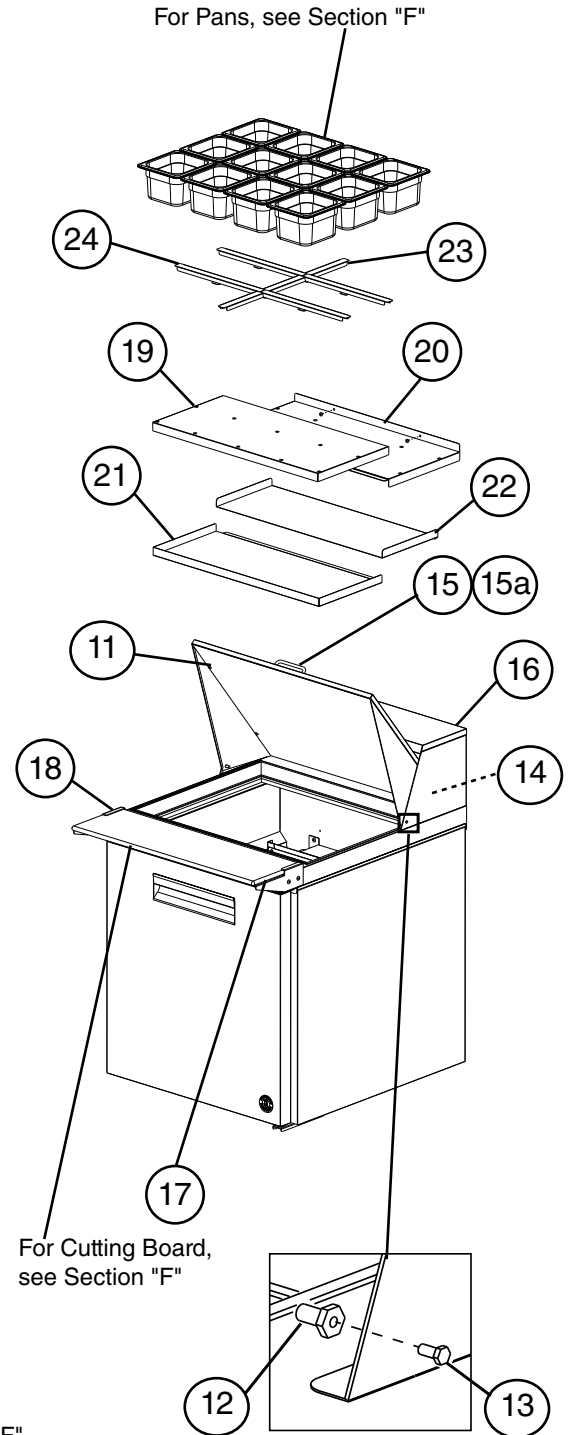
A-5 to E-7

Undercounter, Worktop, Prep Table Common Parts



Model Shown: CRMF27

Prep Table Specific Parts



Model Shown: CRMR27-12M

Title: A. Main Assembly Models: CRMR27 and CRMF27 Undercounter, Worktop, and Prep Table

Index No.	Description	Material or Model Number	Part Number	Required Number							
				A-5 to C-5	C-6 to D-5	D-6 to E-5	E-6 to E-7	E-8			
Common Parts											
1	Power Cord		4A2860-01	1	1	1	1	1			
2	Cabinet Thermostat	Refrigerator	3A6755-01	1	1	1	1	1			
		Freezer	3A6755-02	1	1	1	1	1			
3	Dial Plate		3A6787-01	1	1	1	1	1			
4	Dial Knob		3A6788-01	1	1	1	1	1			
5	Pilaster		4A5417-01	4	-						
		Note: When using 4A5719-01 on Aux. Code C-6 through D-5, rotate pilaster 180 degrees.	4A5719-01		4	4	-				
			4A5854-01				4	4			
6	Shelf		3A2830-07	1	1	1	1	1			
7	Shelf Clip		4A5418-01	4	4	4	4	4			
8	Cabinet Thermometer		461083-01	1	1	1	1	1			
9	Bumpers		3A6696-01	2	2	2	2	2			
10	Defrost Timer	Freezer, Prep Table	3A7925-01	1	1	1	1	1			
Prep Table Specific Parts											
11	Rail Cover Assembly	-8	3A7326A01	1	1	1	1	1			
		-12M	3A7328A01	1	1	1	1	1			
12	Pivot Pin		4A4768-01	2	2	2	2	2			
13	Pivot Bolt		4A4769-01	2	2	2	2	2			
14	Tree Clip		4A0579-01	2	2	2	2	2			
15	Rail Handle		1A3416-01	1	1	1	1	1			
15a	Pan Head Screw		7C1211412	2	2	2	2	2			
16	Rail Hood		3A7325A01	1	1	1	1	1			
17	Right Cutting Board Bracket	-8	4A5496-02	1	1	1	-				
			3A8653-01				1	1			
		-12M	1000000393	1	1	1	-				
			3A8648-02				1	1			
18	Left Cutting Board Bracket	-8	4A5496-01	1	1	1	-				
			3A8653-02				1	1			
		-12M	1000000392	1	1	1	-				
			3A8648-01				1	1			
19	Upper Front Air Distribution Table Panel	-8, -12M	2A6920-01	1	1	-					
20	Upper Rear Air Distribution Table Panel		2A6919-01	1	1	-					
21	Lower Front Air Distribution Table Panel		2A6922-01	1	1	-					
22	Lower Rear Air Distribution Table Panel		2A6921-01	1	1	-					
23	Rail Divider (front-to-back)		-8 (HS-5187)	3A8903-01	E-7 and earlier must order items 23 and 24				1		
	-12M (HS-5184)	3A8855-01	1								
24	Rail Divider (side-to-side)	-8 (HS-5185)	3A8856-01	E-7 and earlier must order items 23 and 24				2			
		-12M (HS-5185)						4			

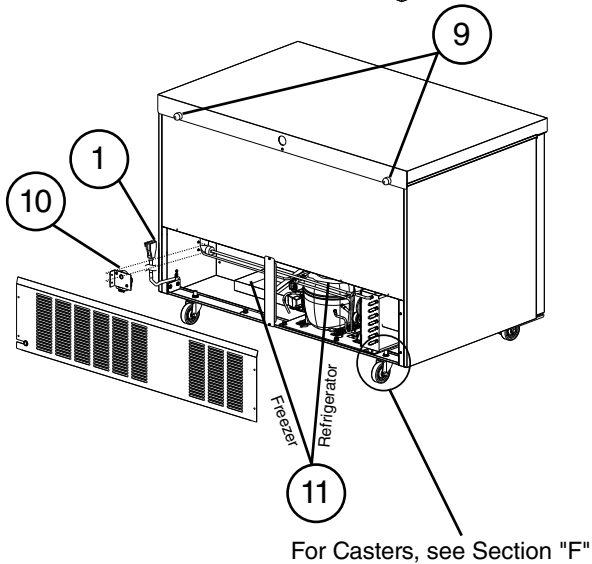
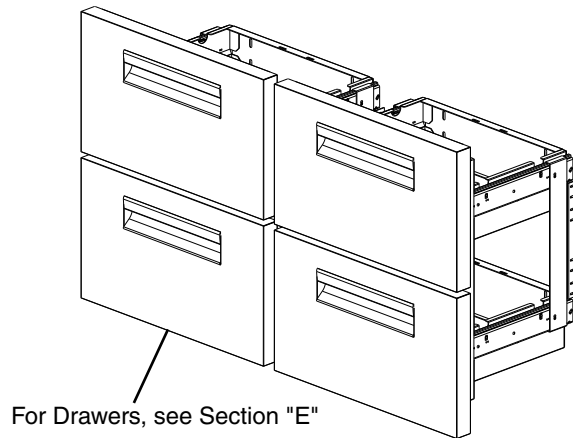
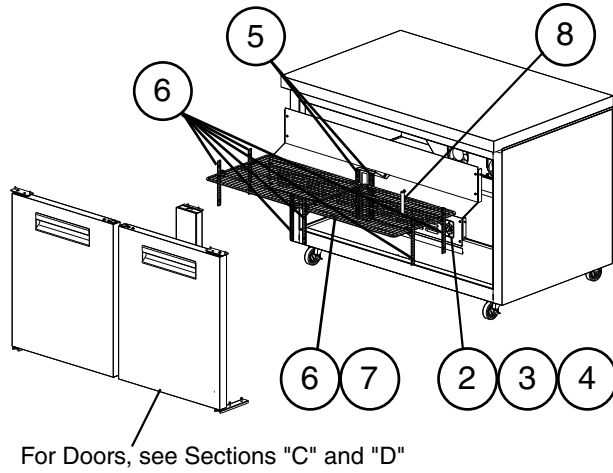
A. Main Assembly

CRMR48 and CRMF48 Undercounter, Worktop, and Prep Table

A-5 to E-8

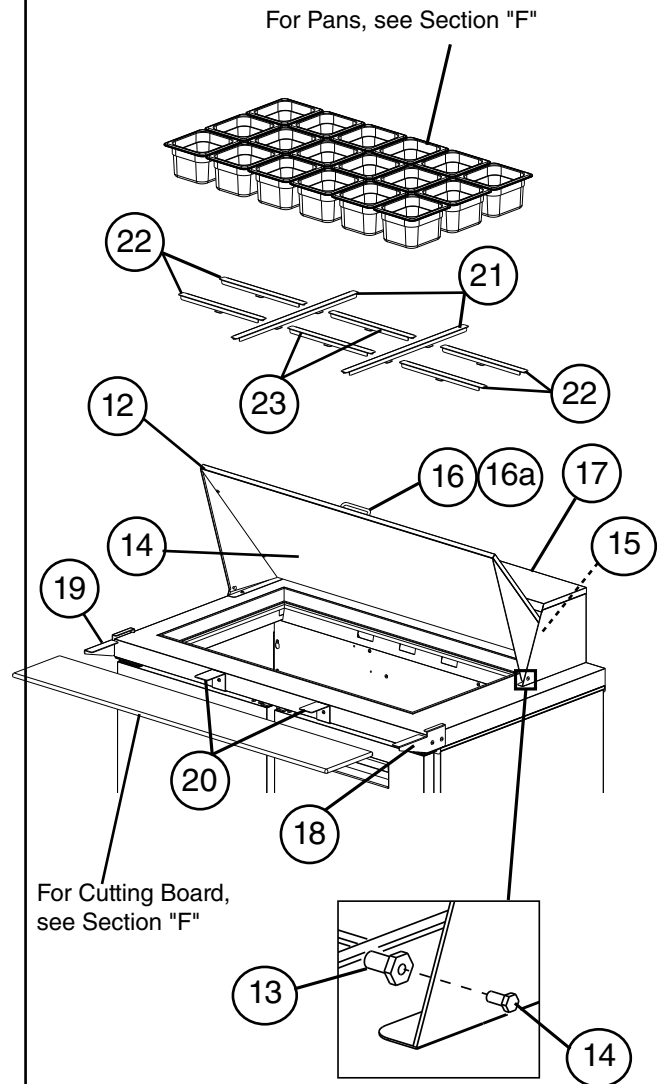
Undercounter, Worktop, Prep Table

Common Parts



Model Shown: CRMF48

Prep Table Specific Parts



Model Shown: CRMR48-18M

Title: A. Main Assembly Models: CRMR48 and CRMF48 Undercounter, Worktop, and Prep Table												
Index No.	Description	Material or Model Number	Part Number	Required Number								
				A-5 to C-5 (C)	C-5 (D) to E-5 (A)	E-5 (B) to E-5 (M)	E-6 to E-7	E-8				
Common Parts												
1	Power Cord		4A2860-01	1	1	1	1	1				
2	Cabinet Thermostat	Refrigerator	3A6755-01	1	1	1	1	1				
		Freezer	3A6755-02	1	1	1	1	1				
3	Dial Plate		3A6787-01	1	1	1	1	1				
4	Dial Knob		3A6788-01	1	1	1	1	1				
5	All and Center Back Pilasters		4A5417-01	8	2	2	2	2				
6	Sides and Front Pilaster		4A5524-01		6	-						
			4A5719-01			6	6	6				
6	Shelf		3A2830-08	2	2	2	2	2				
7	Shelf Clip		4A5418-01	8	8	8	8	8				
8	Cabinet Thermometer		461083-01	1	1	1	1	1				
9	Bumpers		3A6696-01	2	2	2	2	2				
10	Defrost Timer	Freezer, Prep Table	3A7925-01	1	1	1	1	1				
11	Condensate Pan	Refrigerator	3A6758-01	1	1	1	1	1				
		Freezer	2A7170-03	1	-							
			1A3373-01		1	1	1	1				
11a	Right Condensate Pan Bracket	Freezer	2A7243-01	1	-							
			1A3374-01		1	1	1	1				
11b	Left Condensate Pan Bracket	Freezer	2A7243-02	1	-							
			1A3374-02		1	1	1	1				
Prep Table Specific Parts												
12	Rail Cover Assembly	-8	3A7330A01	1	1	1	1	1				
		-12, -12D4	3A7331A01	1	1	1	1	1				
		-12M	3A7332A01	1	1	1	1	1				
		-18M	3A7333A01	1	1	1	1	1				
13	Pivot Pin		4A4768-01	2	2	2	2	2				
14	Pivot Bolt		4A4769-01	2	2	2	2	2				
15	Tree Clip		4A0579-01	2	2	2	2	2				
16	Rail Handle		1A3416-01	1	1	1	1	1				
16a	Pan Head Screw		7C1211412	2	2	2	2	2				
17	Rail Hood	-8, -12M	3A7327A01	1	1	1	1	1				
		-12, -12D4, -18M	3A7329A01	1	1	1	1	1				

Title: A. Main Assembly Models: CRMR48 and CRMF48 Undercounter, Worktop, and Prep Table												
Index No.	Description	Material or Model Number	Part Number	Required Number								
				A-5 to C-5 (C)	C-5 (D) to E-5 (A)	E-5 (B) to E-5 (M)	E-6 to E-7	E-8				
18	Right Cutting Board Bracket	-8, -12, -12D4	3A8653-02	1	1	1	1	1				
		-12M, -18M	1000000392	1	1	1	-					
			3A8648-02				1	1				
19	Left Cutting Board Bracket	-8, -12, -12D4	3A8653-01	1	1	1	1	1				
		-12M, -18M	1000000393	1	1	1	-					
			3A8648-01				1	1				
20	Center Cutting Board Bracket	-12M, -18M	1000000394	2	2	2	2	2				
21	Rail Divider A (front-to-back)	-8 (HS-5188)	3A8904-01	E-7 and earlier must order items 21, 22, and if applicable, 23					1			
		-12, -12D4 (HS-5188)							2			
		-12M (HS-5184)	3A8855-01						1			
		-18M (HS-5184)							2			
22	Rail Divider B (side-to-side)	-8 (HS-5189)	3A8905-01	E-7 and earlier must order items 21, 22, and if applicable, 23					1			
		-12, -12D4 (HS-5189)							2			
		-12M (HS-5185)	3A8856-01						4			
		(outer side-to-side) -18M (HS-5185)							4			
23	Rail Divider C (center side-to-side)	-18M (HS-5186)	3A8857-01						2			

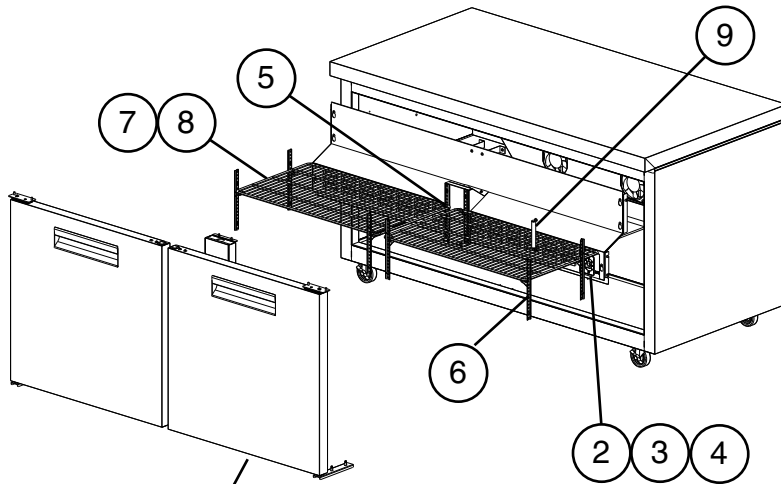
A. Main Assembly

CRMR60 and CRMF60 Undercounter, Worktop, and Prep Table

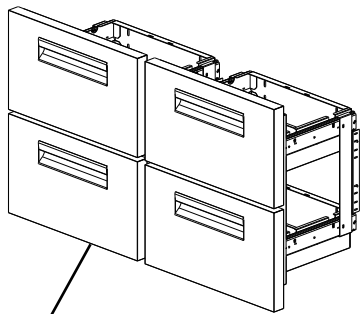
B-5 to E-9

Undercounter, Worktop, Prep Table

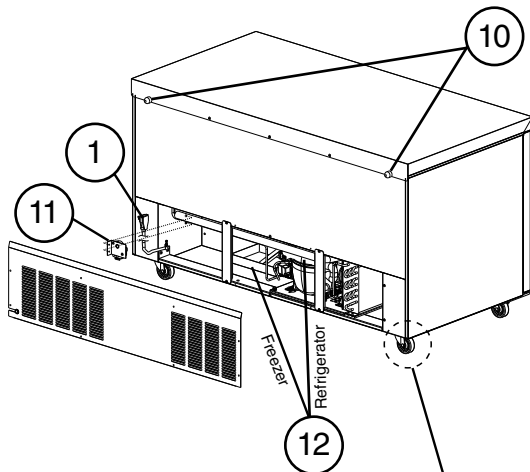
Common Parts



For Doors, see Sections "C" and "D"



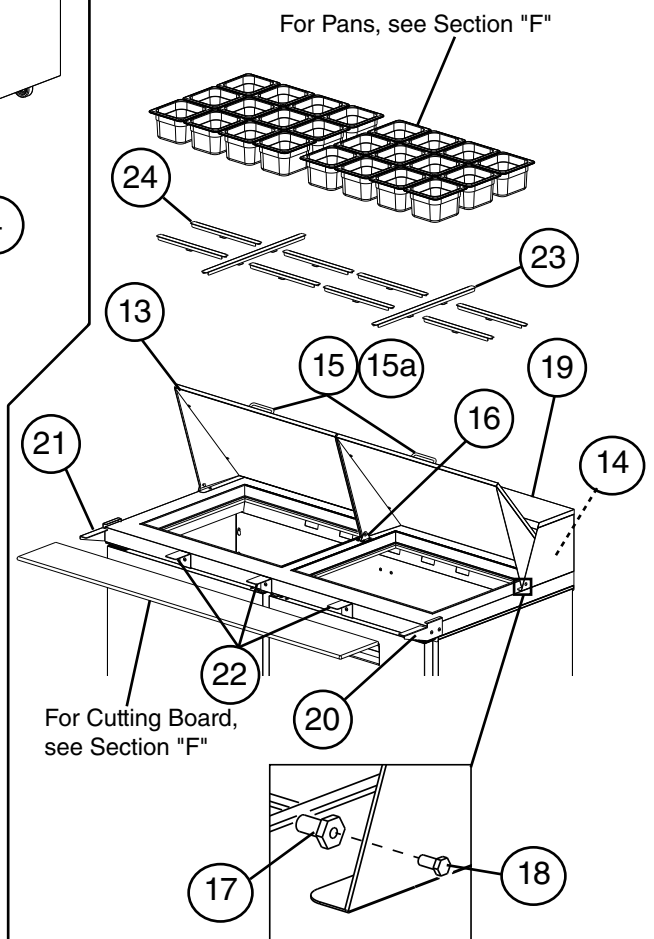
For Drawers, see Section "E"



For Casters, see Section "F"

Model Shown: CRMF60

Prep Table Specific Parts



For Pans, see Section "F"

For Cutting Board, see Section "F"

Model Shown: CRMR60-24M

Title: A. Main Assembly Models: CRMR60 and CRMF60 Undercounter, Worktop, and Prep Table											
Index No.	Description	Material or Model Number	Part Number	Required Number							
				B-5 to D-5	D-6 to D-7	D-8 to E-5 (B)	E-5 (C) to E-5 (M)	E-6 to E-8	E-9		
Common Parts											
1	Power Cord		4A2860-01	1	1	1	1	1	1		
2	Cabinet Thermostat	Refrigerator Undercounter and Worktop	3A6755-03	1	1	1	1	1	1		
		Refrigerator Prep Table	3A6755-07	1	1	1	1	1	1		
		Freezer	3A6755-04	1	1	1	1	1	1		
3	Dial Plate		3A6787-01	1	1	1	1	1	1		
4	Dial Knob		3A6788-01	1	1	1	1	1	1		
5	Rear Pilaster		4A5417-01	2	2	2	2	2	2		
6	Side and Front Pilaster		4A5524-01	6	6	6	-				
			4A5719-01				6	6	6		
7	Shelf		3A2830-09	2	2	2	2	2	2		
8	Shelf Clip		4A5418-01	8	8	8	8	8	8		
9	Cabinet Thermometer		461083-01	1	1	1	1	1	1		
10	Bumpers		3A6696-01	2	2	2	2	2	2		
11	Defrost Timer	Freezer, Prep Table	3A7925-01	1	1	1	1	1	1		
12	Condensate Pan	Refrigerator Undercounter and Worktop	3A6758-01	1	1	1	1	1	1		
		Refrigerator Prep Table		1	1	-					
		Freezer	1A3373-01			1	1	1	1		
			2A7170-03	1	1	-					
12a	Right Condensate Pan Bracket	Freezer	2A7243-01	1	1	-					
			1A3374-01			1	1	1	1		
12b	Left Condensate Bracket	Freezer	2A7243-02	1	1	-					
			1A3374-02			1	1	1	1		
Prep Table Specific Parts											
13	Rail Cover Assembly (includes items 14 through 16)	-8	3A7330A01	1	1	1	1	1	1		
		-12	3A7331A01	1	1	1	1	1	1		
		-12M	3A7332A01	1	1	1	1	1	1		
		-16	3A7346A01	1	1	1	1	1	1		
		-18M	3A7333A01	1	1	1	1	1	1		
		-24M	3A7348A01	2	2	2	2	2	2		
14	Tree Clip	-8, -12, -12M, -16, -18M	4A0579-01	2	2	2	2	2	2		
		-24M		4	4	4	4	4	4		
15	Rail Handle	-8, -12, -12M, -16, -18M	1A3416-01	1	1	1	1	1	1		
		-24M		2	2	2	2	2	2		
15a	Pan Head Screw	-8, -12, -12M, -16, -18M	7C12I1412	2	2	2	2	2	2		
		-24M		4	4	4	4	4	4		
16	Rail Cover Bracket	-24M	4A5790-01	2	2	2	2	2	2		

Title: A. Main Assembly Models: CRMR60 and CRMF60 Undercounter, Worktop, and Prep Table													
Index No.	Description	Material or Model Number	Part Number	Required Number									
				B-5 to D-5	D-6 to D-7	D-8 to E-5 (B)	E-5 (C) to E-5 (M)	E-6 to E-8	E-9				
17	Pivot Pin	-8, -12, -12M, -16, -18M	4A4768-01	2	2	2	2	2	2				
		-24M		4	4	4	4	4	4				
18	Pivot Bolt	-8, -12, -12M, -16, -18M	4A4769-01	2	2	2	2	2	2				
		-24M		4	4	4	4	4	4				
19	Rail Hood	-8, -12M	3A7327A01	1	1	1	1	1	1				
		-12, -18M	3A7329A01	1	1	1	1	1	1				
		-16, -24M	3A7372A01	1	1	1	1	1	1				
20	Right Cutting Board Bracket	-8, -12, -16	4A5496-01	1	1	1	-						
			3A8653-02				1	1	1				
		-12M, -18M, -24M	1000000393	1	1	1	-						
			3A8648-02				1	1	1				
21	Left Cutting Board Bracket	-8, -12, -16	4A5496-02	1	1	1	-						
			3A8653-01				1	1	1				
		-12M, -18M, -24M	1000000392	1	1	1	-						
			3A8648-01				1	1	1				
22	Center Cutting Board Bracket	-12M, -18M, -24M	1000000394	3	3	3	3	3	3				
23	Rail Divider (front-to-back)	-8 (HS-5188)	3A8904-01							1			
		-12 (HS-5188)								2			
		-16 (HS-5188)								3			
		-12M (HS-5184)	3A8855-01							1			
		-18M (HS-5184)								2			
		-24M (HS-5184)								2			
24	Rail Divider (side-to-side)	-8 (HS-5189)	3A8905-01							2			
	(outer side-to-side)	-12 (HS-5189)								3			
		-16 (HS-5189)								4			
	(side-to-side)	-12M (HS-5185)	3A8856-01							4			
	(outer side-to-side)	-18M (HS-5185)								6			
	(side-to-side)	-24M (HS-5185)								8			
25	Rail Divder C (center side to side)	-12 (HS-5190)	3A8906-01										
		-16 (HS-5190)								2			
		-18 (HS-5192)	3A8906-02							1			
		-18M (HS-5186)	3A8857-01							2			

E-8 and earlier must order 23, 24, and if applicable, 25

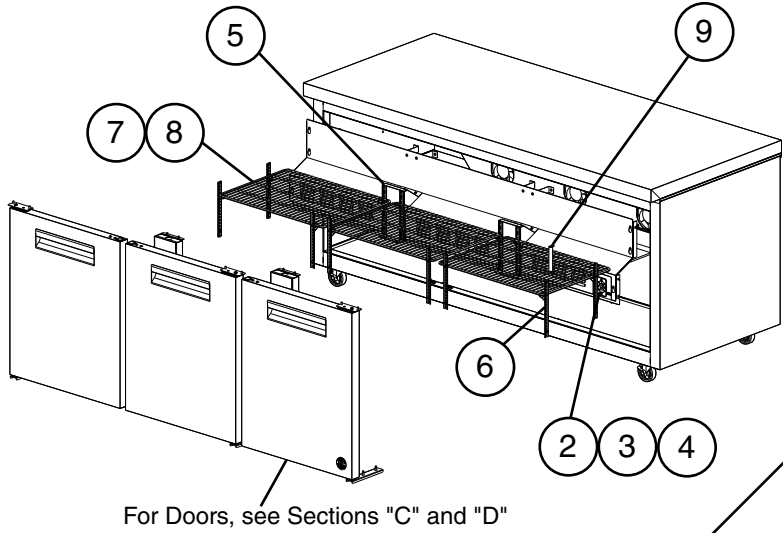
A. Main Assembly

CRMR72 Undercounter, Worktop, and Prep Table

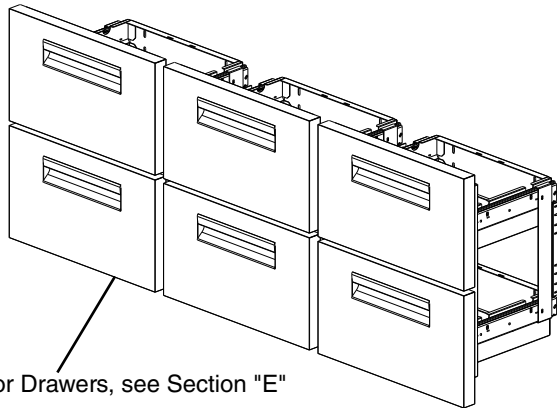
B-5 to E-9

Undercounter, Worktop, Prep Table

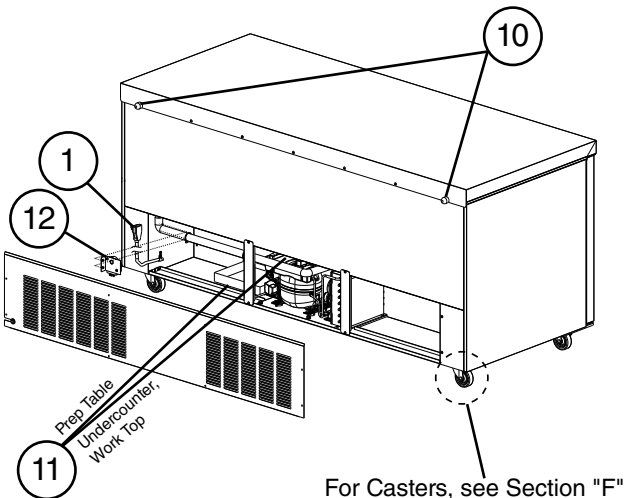
Common Parts



For Doors, see Sections "C" and "D"



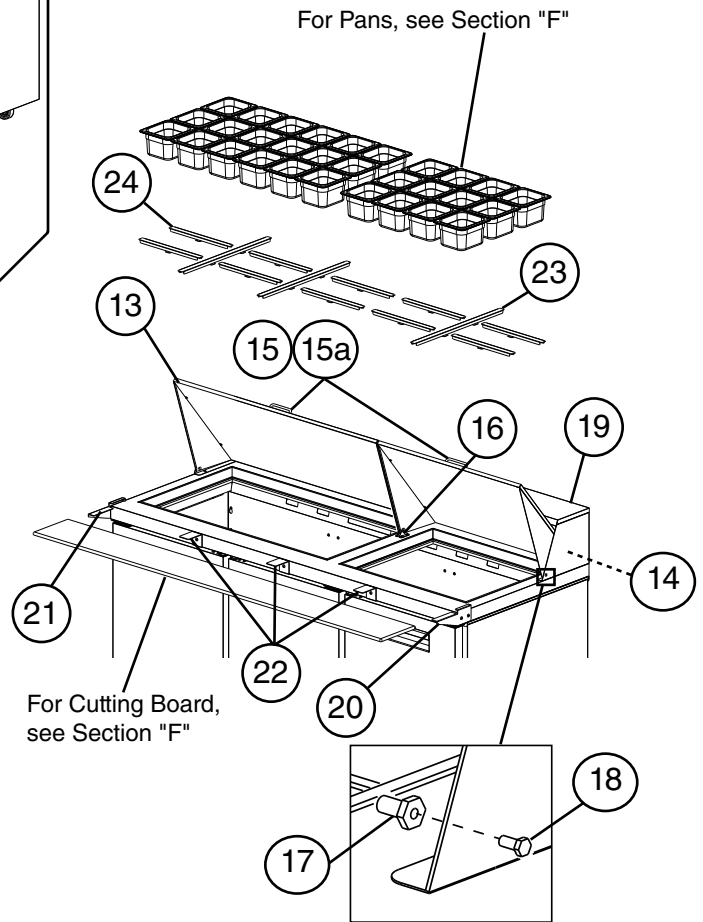
For Drawers, see Section "E"



For Casters, see Section "F"

Model Shown: CRMR72

Prep Table Specific Parts



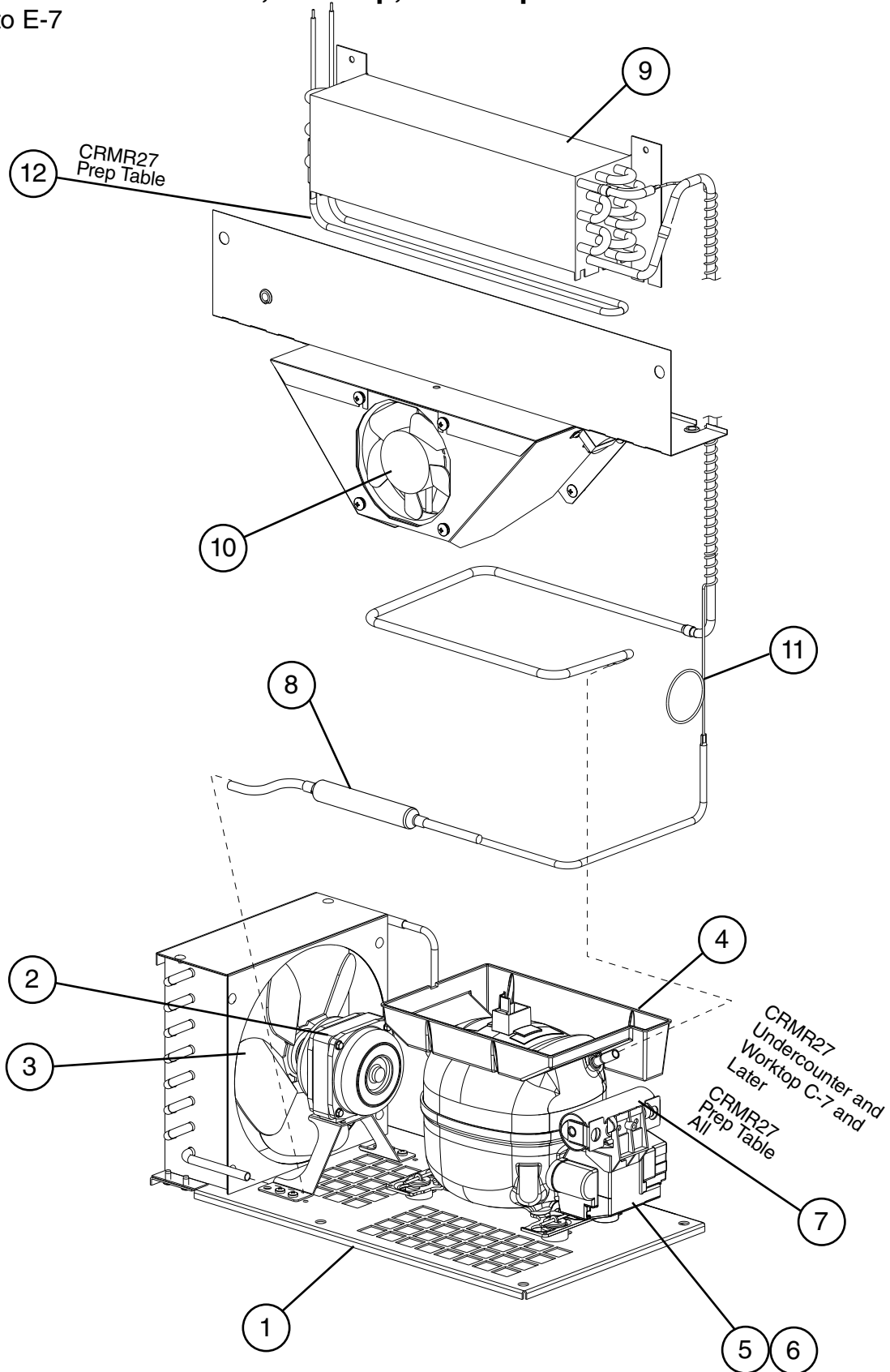
For Cutting Board, see Section "F"

Model Shown: CRMR72-30M

Title: A. Main Assembly Models: CRMR72 Undercounter, Worktop, and Prep Table												
Index No.	Description	Material or Model Number	Part Number	Required Number								
				B-5 to D-7	D-8 to E-5	E-6 to E-8	E-9					
Common Parts												
1	Power Cord		4A2860-01	1	1	1	1					
2	Cabinet Thermostat	Refrigerator Undercounter and Worktop	3A6755-05	1	1	1	1					
		Refrigerator Prep Table	3A6755-07	1	1	1	1					
3	Dial Plate		3A6787-01	1	1	1	1					
4	Dial Knob		3A6788-01	1	1	1	1					
5	Rear Pilaster		4A5417-01	4	4	4	4					
6	Side and Front Pilaster		4A5524-01	8	8	-						
			4A5719-01			8	8					
7	Shelf		3A2830-07	3	3	3	3					
8	Shelf Clip		4A5418-01	12	12	12	12					
9	Cabinet Thermometer		461083-01	1	1	1	1					
10	Bumpers		3A6696-01	2	2	2	2					
11	Condensate Pan	Undercounter, Worktop	3A6758-01	1	1	1	1					
		Prep Table	2A7170-03	1	-							
			1A3373-01		1	1	1					
Prep Table Specific Parts												
12	Defrost Timer		3A7925-01	1	1	1	1					
13	Rail Cover (includes items 14 through 16)	-12	3A7331A01	1	1	1	1					
		-16	3A7346A01	1	1	1	1					
		-18	3A7378A01	1	1	1	1					
		-18M	3A7333A01	1	1	1	1					
		-24M	3A7348A01	1	1	1	1					
		-30M	3A7376A01	1	1	1	1					
14	Tree Clip	-12, -16, -18M	4A0579-01	2	2	2	2					
		-24M, -30M		4	4	4	4					
15	Rail Handle	-12, -16, -18, -18M	1A3416-01	1	1	1	1					
		-24M, -30M	1A3416-01	2	2	2	2					
15A	Pan Head Screws	-12, -16, -18, -18M	7C1211412	2	2	2	2					
		-24M, -30M		4	4	4	4					
16	Rail Cover Bracket	-24M, -30M	4A5790-01	2	2	2	2					
17	Pivot Pin	-12, -16, -18M	4A4768-01	2	2	2	2					
		-24M, -30M		4	4	4	4					
18	Pivot Bolt	-12, -16, -18M	4A4769-01	2	2	2	2					
		-24M, -30M		4	4	4	4					
19	Rail Hood	-12, -18M	3A7329A01	1	1	1	1					
		-16, -24	3A7372A01	1	1	1	1					
		-18, -30M	3A7373A01	1	1	1	1					
20	Right Cutting Board Bracket	-12, -16, -18	4A5496-01	1	1	-						
			3A8653-02			1	1					
		-18M, -24M, -30M	1000000393	1	1	-						
			3A8648-01			1	1					

Title: A. Main Assembly Models: CRMR72 Undercounter, Worktop, and Prep Table																		
Index No.	Description	Material or Model Number	Part Number	Required Number														
				B-5 to D-7	D-8 to E-5	E-6 to E-8	E-9											
21	Left Cutting Board Bracket	-12, -16, -18	4A5496-02	1	1	-												
			3A8653-01			1	1											
		-18M, -24M, -30M	1000000392	1	1	-												
			3A8648-02			1	1											
22	Center Cutting Board Bracket	-18M, -24M, -30M	1000000394	3	3	3	3											
23	Rail Divider (front-to-back)	-12, -18 (HS-5188)	3A8904-01	E-8 and earlier must order items 23, 24, and if applicable, 25							2							
		-16 (HS-5188)									3							
		-18M, -24M	3A8805-01								2							
		-30M									3							
24	Rail Divider (side-to-side)	-12 (HS-5189)	3A8905-01															2
	(outer side to side)	-16 (HS-5189)	3A8905-02															2
		-18 (HS-5191)																2
	(outer side to side)	-18M (HS-5185)	3A8856-01															4
	(side-to-side)	-24M (HS-5185)		8														
(outer side to side)	-30M (HS-5185)	8																
25	Rail Divider C (center side-to-side)	-12 (HS-5190)	3A8906-01								1							
		-16 (HS-5190)									2							
		-18 (HS-5192)	3A8906-02								1							
		-18M, -30M (HS-5186)	3A8857-01								2							

B. Refrigeration Circuit
CRMR27 Undercounter, Worktop, and Prep Table
 A-5 to E-7

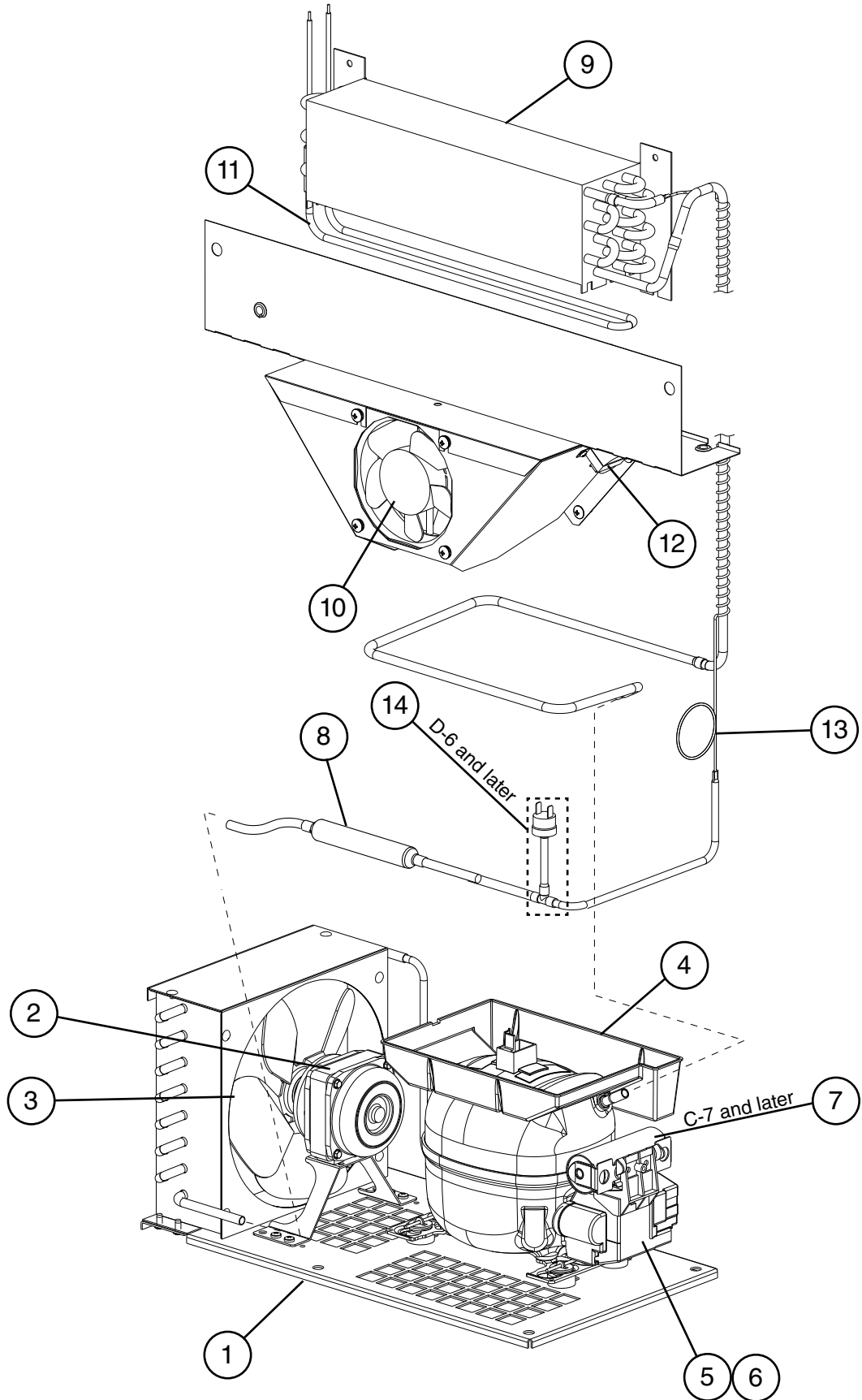


For compressor or condenser replacement, order item 1.

Title: B. Refrigeration Circuit Models: CRMR27 Undercounter, Worktop, Prep Table											
Index No.	Description	Material or Model Number	Part Number	Required Number							
				A-5 to B-5	C-5 C-6	C-7 to E-7					
1	Condensing Unit (includes compressor, condenser, and items 2 through 6; C-6 and later also include items 7 and 8; compressor and condenser are not sold individually)	Undercounter, Worktop	3A6801-01	1	-						
			3A8106-01		1	1					
	Condensing Unit (includes compressor, condenser, and items 2 through 7; C-7 and later also include item 8; compressor and condenser are not sold individually)	Prep Table	1000000273	1	1	-					
			3A8106-01			1					
2	Condenser Fan Motor		3A6798-01	1	1	1					
3	Condenser Fan Blade		3A6799-01	1	1	1					
4	Condensate Pan		3A6758-01	1	1	1					
5	Compressor External Protector		3A6746-01	1	1	1					
6	Start Relay	Undercounter, Worktop	3A6745-01	1	-						
			1000000412		1	1					
		Prep Table	1000000412	1	1	1					
7	Start Capacitor	Undercounter, Worktop 233-280MFD, 165VAC	1000000279		1	1					
			Prep Table 233-280MFD, 165VAC	1000000279	1	1	1				
8	Drier		4A5576-01	1	1	1					
9	Evaporator		2A6627-01	1	1	1					
10	Evaporator Fan Motor		4A5343-01	1	1	1					
11	Capillary Tube Replacement Kit		SP-5119	1	1	1					
12	Defrost Heater	Prep Table	3A6443-03			1					

B. Refrigeration Circuit CRMF27 Undercounter and Worktop

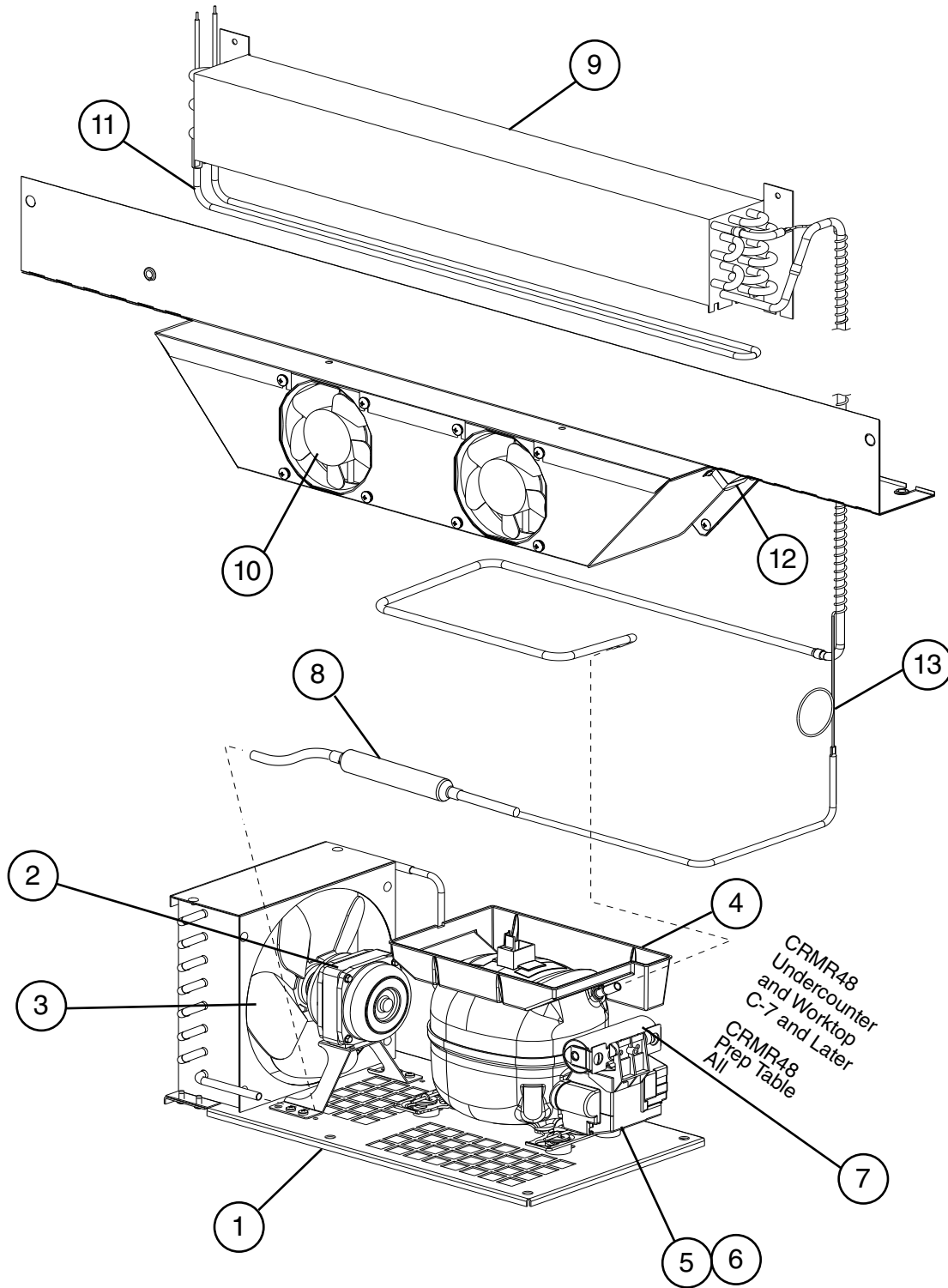
A-5 to E-6



For compressor or condenser replacement, order item 1.

Title: B. Refrigeration Circuit Models: CRMF27 Undercounter and Worktop											
Index No.	Description	Material or Model Number	Part Number	Required Number							
				A-5 to C-5	C-6 to D-5	D-6	D-7 to E-6				
1	Condensing Unit (includes compressor, condenser, and items 2 through 6; C-7 and later also include items 7 and 8; compressor and condenser are not sold individually)		3A6802-01	1	-						
			3A7206-01		1	1	-				
			3A8107-01				1				
2	Condenser Fan Motor		3A6798-01	1	1	1	1				
3	Condenser Fan Blade		3A6799-01	1	1	1	1				
4	Condensate Pan		3A6758-01	1	1	1	1				
5	Compressor External Protector		3A6774-01	1	1	1	1				
6	Start Relay		3A6775-01	1	-						
			3A7232-01		1	1	1				
7	Start Capacitor	270-327MFD, 165VAC	4A5525-01		1	1	1				
8	Drier		4A5576-01	1	1	1	1				
9	Evaporator		2A6627-01	1	1	1	1				
10	Evaporator Fan Motor		4A5343-01	1	1	1	1				
11	Defrost Heater		3A6443-03	1	1	1	1				
12	Defrost Thermostat		4A0954-02	1	1	1	1				
13	Capillary Tube Replacement Kit		SP-5120	1	1	1	1				
14	High-Pressure Switch		4A2516-01			1	1				

B. Refrigeration Circuit
CRMR48 Undercounter, Worktop, and Prep Table
 A-5 to E-8



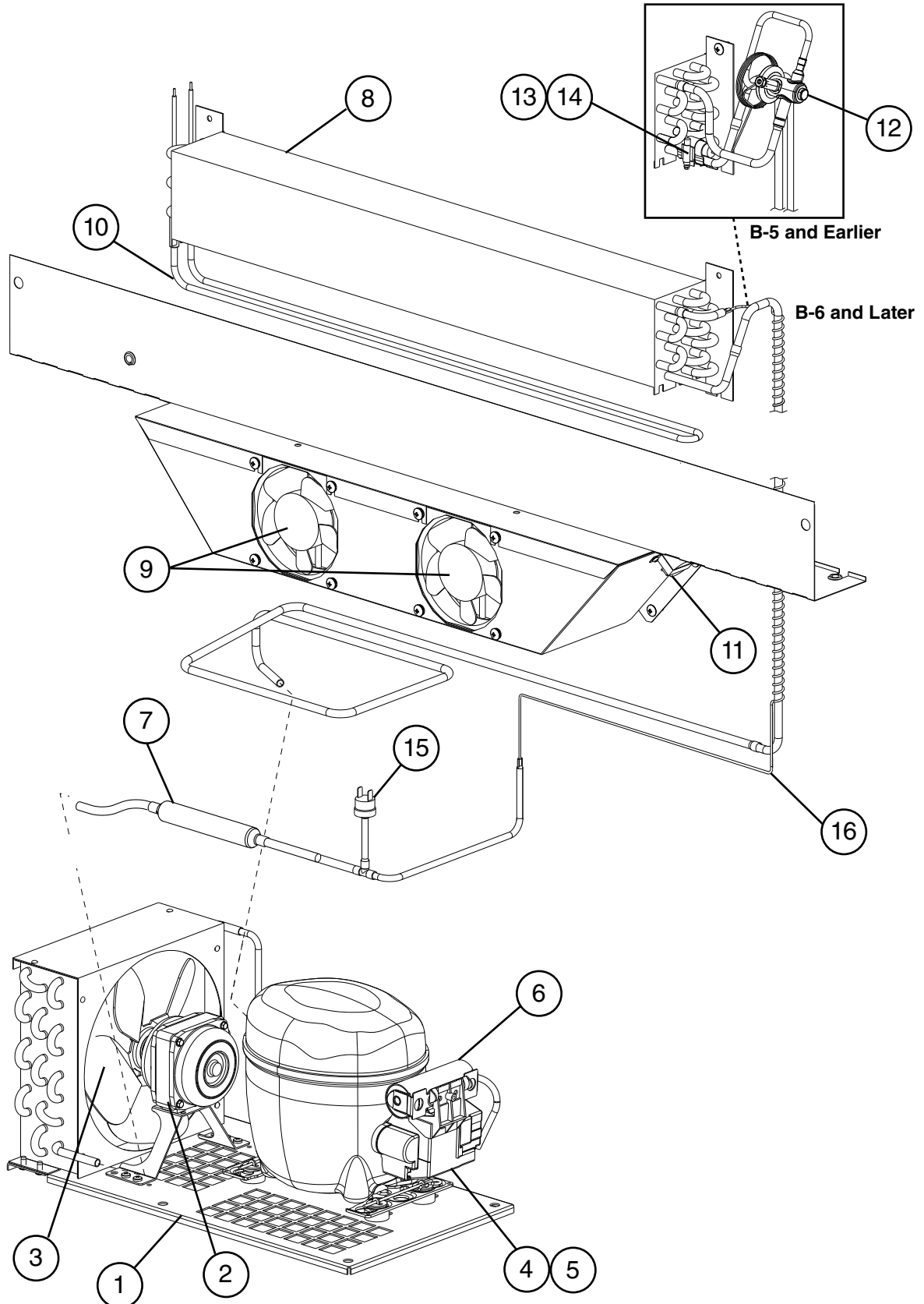
For compressor or condenser replacement, order item 1.

Title: B. Refrigeration Circuit Models: CRMR48 Undercounter, Worktop, and Prep Table											
Index No.	Description	Material or Model Number	Part Number	Required Number							
				A-5 to C-5	C-6	C-7 to E-8					
1	Condensing Unit (includes compressor, condenser, and items 2 through 6; C-6 and later also include items 7 and 8; compressor and condenser are not sold individually)	Undercounter, Worktop	3A6801-01	1	-						
			3A8106-01		1	1					
	Condensing Unit (includes compressor, condenser, and items 2 through 8; compressor and condenser are not sold individually)	Prep Table	1000000273	1	1	-					
			3A8106-01			1					
2	Condenser Fan Motor		3A6798-01	1	1	1					
3	Condenser Fan Blade		3A6799-01	1	1	1					
4	Condensate Pan		3A6758-01	1	1	1					
5	Compressor External Protector		3A6746-01	1	1	1					
6	Start Relay	Undercounter, Worktop	3A6745-01	1	-						
			1000000412		1	1					
		Prep Table	1000000412	1	1	1					
7	Start Capacitor	Undercounter, Worktop 233-280MFD, 165VAC	1000000279		1	1					
			Prep Table 233-280MFD, 165VAC	1000000279	1	1	1				
8	Drier		4A5576-01	1	1	1					
9	Evaporator		2A6627-02	1	1	1					
10	Evaporator Fan Motor		4A5343-01	2	2	2					
11	Defrost Heater	Prep Table	3A6643-02			1					
12	Defrost Thermostat	Prep Table	4A0954-02			1					
13	Capillary Tube Replacement Kit		SP-5119	1	1	1					

B. Refrigeration Circuit

CRMF48 Undercounter and Worktop

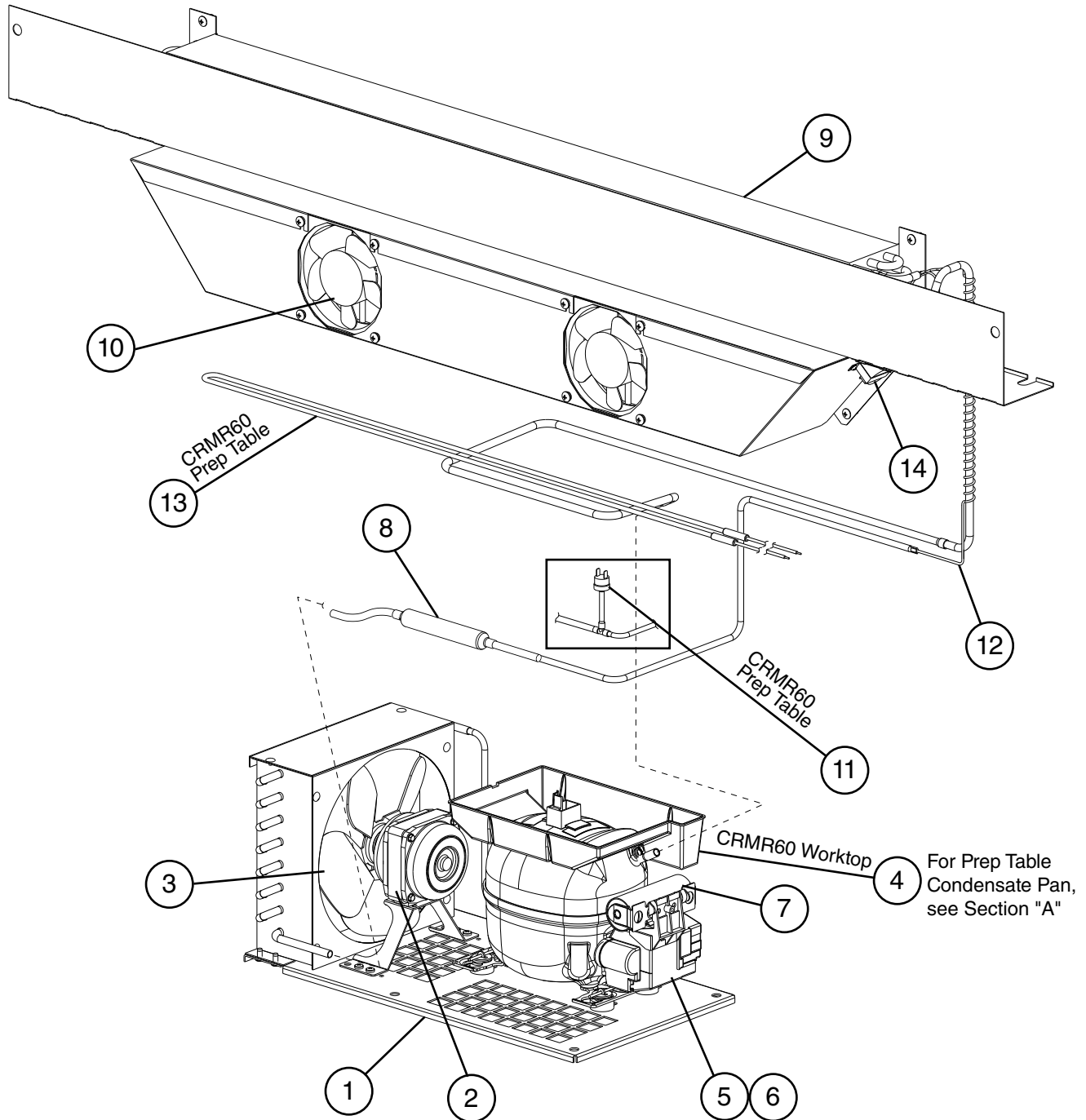
A-5 to E-6



For compressor or condenser replacement, order item 1.

Title: B. Refrigeration Circuit Models: CRMF48 Undercounter and Worktop												
Index No.	Description	Material or Model Number	Part Number	Required Number								
				A-5 B-5	B-6 C-5	C-6 to E-6						
1	Condensing Unit (includes compressor, condenser, and items 2 through 6; C-6 and later also include item 7; compressor and condenser are not sold individually)		3A6934-01	1	1	-						
			3A8108-01			1						
2	Condenser Fan Motor		3A6798-01	1	1	1						
3	Condenser Fan Blade		3A6799-01	1	1	1						
4	Compressor External Protector		3A6936-01	1	1	1						
5	Start Relay		3A6937-01	1	1	1						
6	Start Capacitor	378-454MFD, 115VAC	3A6938-01	1	1	1						
7	Drier		4A5576-01	1	1	1						
8	Evaporator		2A6627-02	1	1	1						
9	Evaporator Fan Motor		4A5471-01	2	2	2						
10	Defrost Heater		3A6443-02	1	1	1						
11	Defrost Thermostat		4A0954-02	1	1	1						
12	Thermostatic Expansion Valve		4A5476-01	1	-							
13	Thermostatic Expansion Valve Bulb Holder		3A6991-01	1	-							
14	Clamp		443461-01	1	-							
15	High-Pressure Switch		4A2516-02	1	1	1						
16	Capillary Tube Replacement Kit		SP-5121		1	1						

B. Refrigeration Circuit
CRMR60 Undercounter, Worktop, and Prep Table
 B-5 to E-9



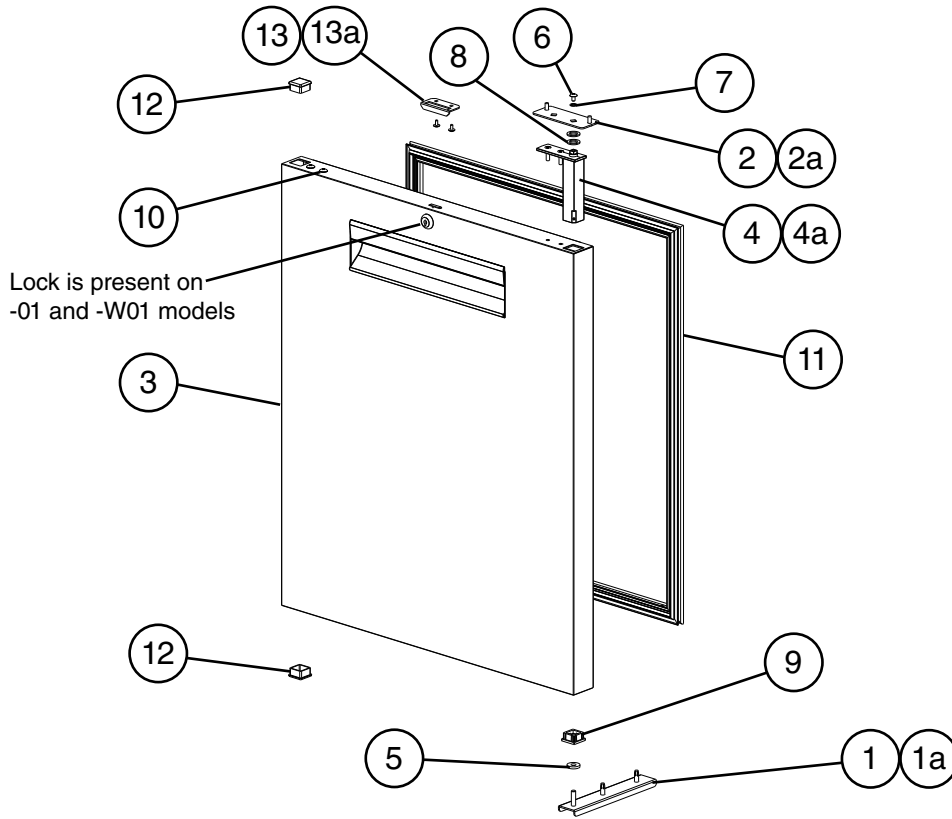
For compressor or condenser replacement, order item 1.

Title: B. Refrigeration Circuit Models: CRMR60 Undercounter, Worktop, and Prep Table												
Index No.	Description	Material or Model Number	Part Number	Required Number								
				B-5 C-5	C-6 to D-6	D-9 to E-7	E-8 E-9					
1	Condensing Unit (includes compressor, condenser, and items 2 through 7; C-6 and later also include item 8; compressor and condenser are not sold individually)	Undercounter, Worktop	3A7206-01	1	-							
			3A8107-01		1	1	1					
		Prep Table	3A6934-01	1	-							
			3A8108-01		1	1	1					
2	Condenser Fan Motor		3A6798-01	1	1	1	1					
3	Condenser Fan Blade		3A6799-01	1	1	1	1					
4	Condensate Pan	Worktop	3A6758-01	1	1	1	1					
5	Compressor External Protector	Worktop	3A6774-01	1	1	1	1					
		Prep Table	3A6936-01	1	1	1	1					
6	Start Relay	Worktop	3A7232-01	1	1	1	1					
		Prep Table	3A6937-01	1	1	1	1					
7	Start Capacitor	Worktop 270-327MFD, 165VAC	4A5525-01	1	1	1	1					
		Prep Table 378-454MFD, 115VAC	3A6938-01	1	1	1	1					
8	Drier		4A5576-01	1	1	1	1					
9	Evaporator		2A6627-03	1	1	1	1					
10	Evaporator Fan Motor		4A5343-01	2	2	2	2					
11	High-Pressure Switch	Prep Table	4A2516-01	1	1	1	1					
12	Capillary Tube Replacement Kit	Undercounter, Worktop	SP-5120	1	1	1	1					
		Prep Table	SP-5121	1	1	1	1					
13	Defrost Heater	Prep Table	3A7115-03			1	1					
14	Defrost Thermostat		SP-5131			1	-					
			4A5853-01				1					

Title: B. Refrigeration Circuit Models: CRMF60 Undercounter and Worktop											
Index No.	Description	Material or Model Number	Part Number	Required Number							
				C-5 to D-6	D-7 to E-5	E-8					
1	Condensing Unit (includes compressor, condenser, and items 2 through 7; compressor and condenser are not sold individually)		3A8108-01	1	1	1					
2	Condenser Fan Motor		3A6798-01	1	1	1					
3	Condenser Fan Blade		3A6799-01	1	1	1					
4	Compressor External Protector		3A6936-01	1	1	1					
5	Start Relay		3A6937-01	1	1	1					
6	Start Capacitor	378-454MFD, 115VAC	3A6938-01	1	1	1					
7	Drier		4A5576-01	1	1	1					
8	Evaporator		2A6627-03	1	1	1					
9	Evaporator Fan Motor		4A5471-01	2	2	2					
10	High-Pressure Switch		4A2516-01	1	1	1					
11	Defrost Heater		3A7115-01	1	1	1					
12	Defrost Thermostat		4A0954-02	1	1	1					
13	Capillary Tube Replacement Kit		SP-5121	1	1	1					

Title: B. Refrigeration Circuit Models: CRMR72 Undercounter, Worktop, and Prep Table												
Index No.	Description	Material or Model Number	Part Number	Required Number								
				B-5 C-5	C-6 to D-7	D-8	D-9 to E-9					
1	Condensing Unit (includes compressor, condenser, and items 2 through 7; C-6 and later also include item 8; compressor and condenser are not sold individually)	Undercounter, Worktop	3A7206-01	1	-							
			3A8107-01		1	1	1					
		Prep Table	3A6934-01	1	-							
			3A8108-01		1	1	1					
2	Condenser Fan Motor		3A6798-01	1	1	1	1					
3	Condenser Fan Blade		3A6799-01	1	1	1	1					
4	Condensate Pan	Undercounter, Worktop	3A6758-01	1	1	1	1					
5	Compressor External Protector	Undercounter, Worktop	3A6774-01	1	1	1	1					
		Prep Table	3A6936-01	1	1	1	1					
6	Start Relay	Undercounter, Worktop	3A7232-01	1	1	1	1					
		Prep Table	3A6937-01	1	1	1	1					
7	Start Capacitor	Undercounter, Worktop 270-327MFD, 165VAC	4A5525-01	1	1	1	1					
		Prep Table 378-454MFD, 115VAC	3A6938-01	1	1	1	1					
8	Drier		4A5576-01	1	1	1	1					
9	Evaporator		2A6627-04	1	1	1	1					
10	Evaporator Fan Motor		4A5343-01	3	3	3	3					
11	High-Pressure Switch	Prep Table	4A2516-01	1	1	1	1					
12	Capillary Tube Replacement Kit	Undercounter, Worktop	SP-5120	1	1	1	1					
		Prep Table	SP-5121	1	1	1	1					
13	Defrost Heater	Prep Table	3A7115-04			1	1					
14	Defrost Thermostat		SP-5132			1	-					
			4A5853-01				1					

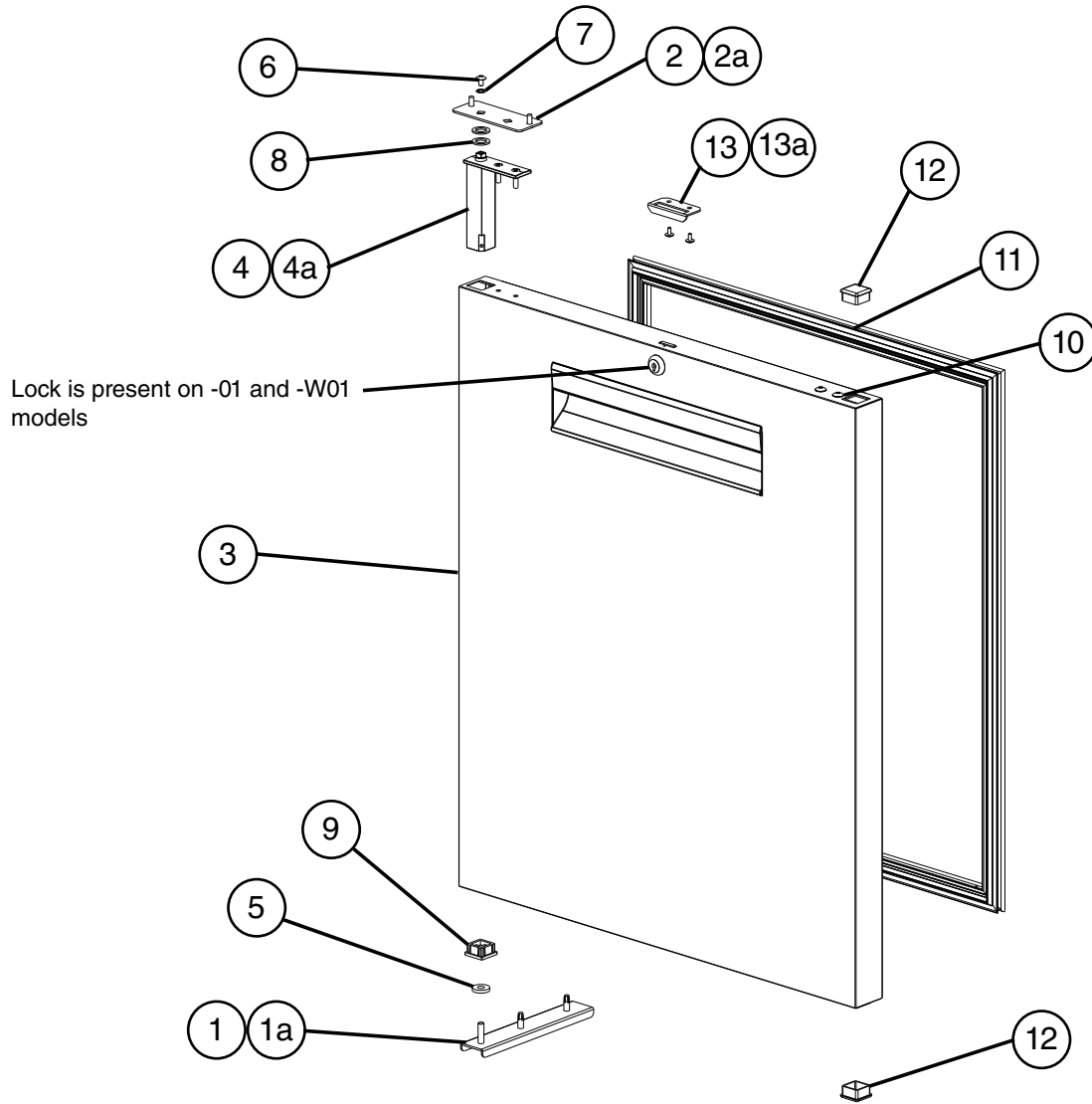
C. Door-Right Hinged Undercounter, Worktop, Prep Table A-5 to E-9



Title: C. Door-Right Hinged		Models: Undercounter, Worktop, Prep Table		Required Number							
Index No.	Description	Material or Model Number	Part Number	A-5 to D-6	D-6 (E) to E-9						
				1	Lower Hinge Bracket		3A6681G01	1	1		
1a	Hex Head Tapping Bolt	1/4-20x3/4	4A5213-01	2	2						
2	Upper Hinge Bracket		3A6810-01	1	1						
2a	Truss Head Screw	5x12, SS	7C32-0512	2	2						

Title: C. Door-Right Hinged Models: Undercounter, Worktop, Prep Table												
Index No.	Description	Material or Model Number	Part Number	Required Number								
				A-5 to D-6	D-6 (E) to E-9							
3	Door Assembly without Locks (includes items 4 through 12)	CRMR27 (All except -01 and -W01) CRMF27 (All except -01 and -W01)	2A6594G01	1	-							
			2A7322G01		1							
		CRMR48 (All except -01 and -W01) CRMF48 (All except -01 and -W01) CRMR72 (All)	2A6596G01	1	-							
			2A7324G01		1							
		CRMR60 (All) CRMF60 (All)	2A6778G01	1	-							
		2A7328G01		1								
	Door Assembly with Locks (includes items 4 through 12)	CRMR27-01 CRMR27-W01 CRMF27-01 CRMF27-W01	1A2421G01	1	-							
			1A7323G01		1							
		CRMR48-01 CRMR48-W01 CRMF48-01 CRMF48-W01	2A6761G01	1	-							
			2A7327G01		1							
4	Hinge Spring Cartridge (includes items 5 through 9)		3A6258-01	1	1							
4a	Countersunk Screw	5x20, SS	7C42-0520	2	2							
5	Thrust Washer		4A5234-01	1	1							
6	Screw		4A5230-01	1	1							
7	Lockwasher		4A5231-01	1	1							
8	Thrust Washer		4A5233-01	2	2							
9	Bearing		4A5232-01	1	1							
10	Truss Head Screw (filler screws)	5x10, SS	7C32-0510	2	2							
11	Gasket	CRMR27 (All) CRMF27 (All)	2A5192-05	1	-							
			2A6996-05		1							
		CRMR48 (All) CRMF48 (All) CRMR72 (All)	2A5192-06	1	-							
			2A6996-06		1							
		CRMR60 (All) CRMF60 (All)	2A5192-09	1	-							
	2A6996-09		1									
12	End Cap		4A5432-01	2	2							
13	Strike Plate for Doors with Locks	-01 and -W01 Models	4A5493-01	1	1							
13a	T2 Screw	-01 and -W01 Models 4x8, SS	7P32-0408	2	2							

D. Door-Left Hinged Undercounter, Worktop, Prep Table A-5 to E-9

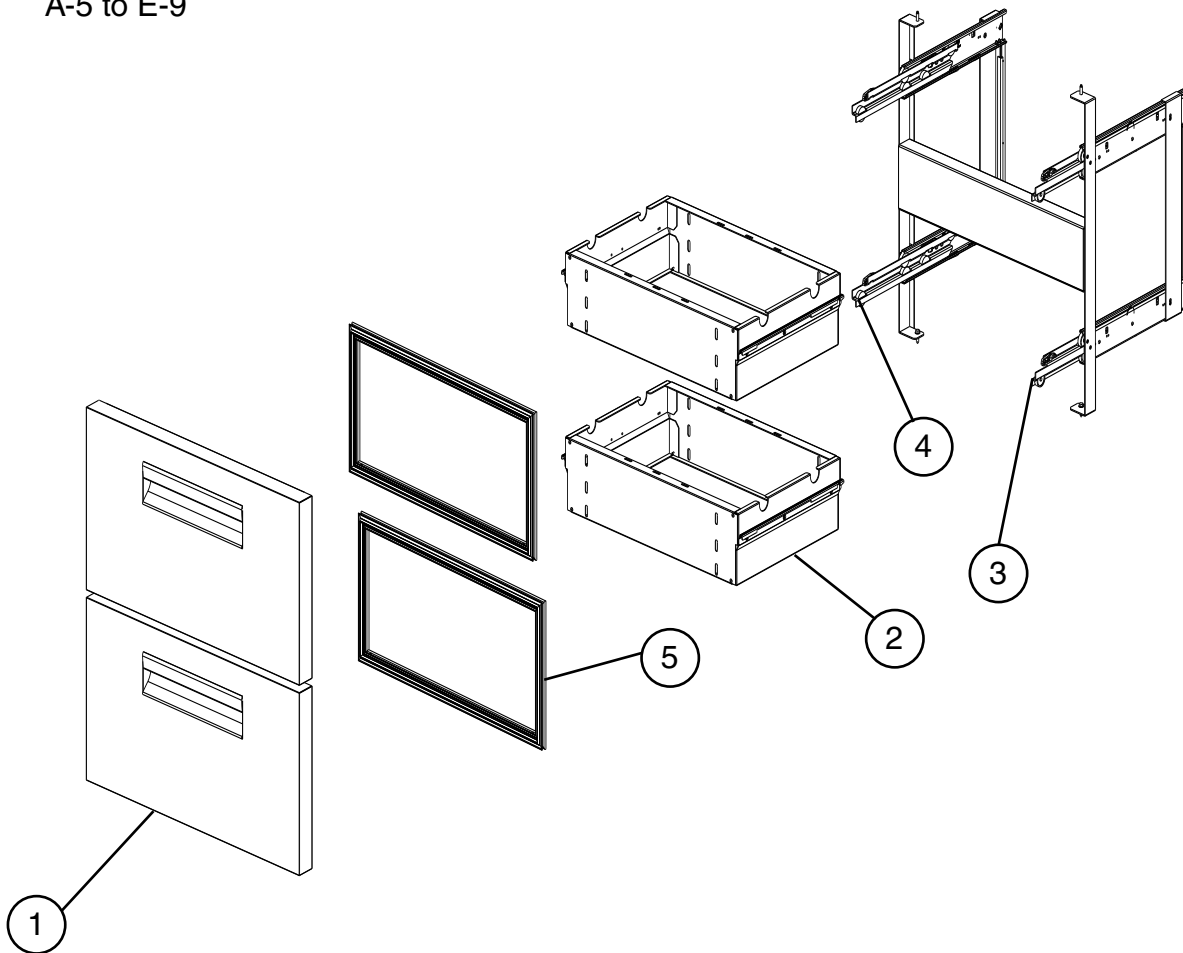


Title: D. Door-Left Hinged Models: Undercounter, Worktop, Prep Table										
Index No.	Description	Material or Model Number	Part Number	Required Number						
				B-5 to D-6	D-6 (E) to E-9					
1	Lower Hinge Bracket		3A6681G01	1	1					
1a	Hex Head Tapping Bolt	1/4-20x3/4	4A5213-01	2	2					
2	Upper Hinge Bracket		3A6810-01	1	1					
2a	Truss Head Screw	5x12, SS	7C32-0512	2	2					
3	Door Assembly without Locks (includes items 4 through 12)	CRMR48 (All except -01 and -W01) CRMF48 (All except -01 and -W01) CRMR72 (All)	2A6598G01	1	-					
			2A7325G01		1					
		CRMR60 (All) CRMF60 (All)	2A6787G01	1	-					
			2A7329G01		1					
	Door Assembly with Locks (includes items 4 through 12)	CRMR48-01 CRMR48-W01 CRMF48-01 CRMF48-W01	2A6759G01	1	-					
		2A7326G01		1						
4	Hinge Spring Cartridge (includes items 5 through 9)		3A6258-01	1	1					
4a	Countersunk Screw	5x20, SS	7C42-0520	2	2					
5	Thrust Washer		4A5234-01	1	1					
6	Screw		4A5230-01	1	1					
7	Lockwasher		4A5231-01	1	1					
8	Thrust Washer		4A5233-01	2	2					
9	Bearing		4A5232-01	1	1					
10	Truss Head Screw (filler screws)	5x10, SS	7C32-0510	2	2					
11	Gasket	CRMR48 (All) CRMF48 (All) CRMR72 (All)	2A5192-06	1	-					
			2A6996-06		1					
		CRMR60 (All)	2A5192-09	1	-					
			2A6996-09		1					
12	End Cap		4A5432-01	2						
13	Strike Plate for Doors with Locks	-01 and -W01	4A5493-01	1	1					
13a	T2 Screw	-01 and -W01 4x8, SS	7P32-0408	2	2					

E. Drawer

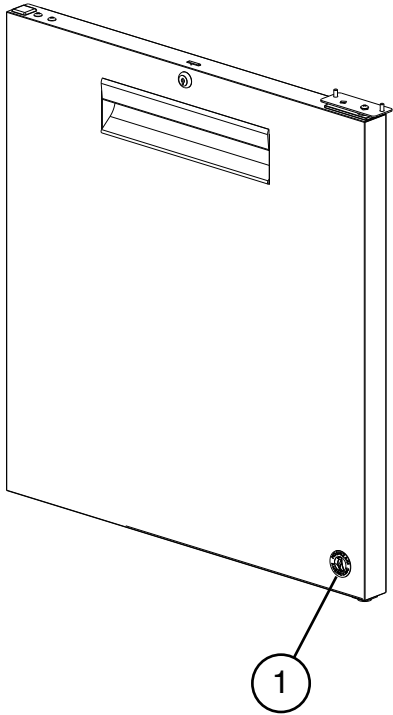
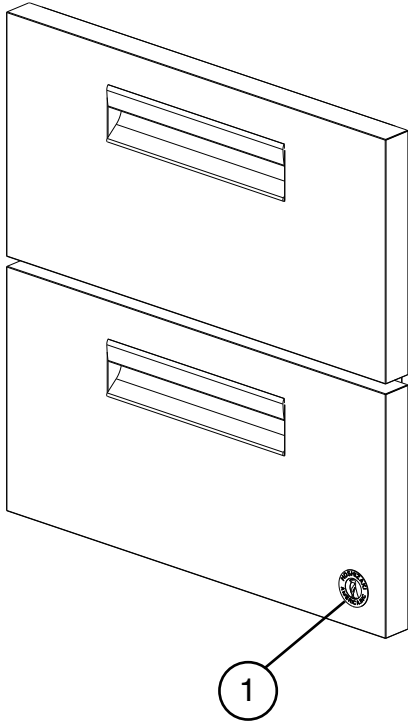
Undercounter, Worktop, Prep Table (-D)(-D4)(-D6)

A-5 to E-9



Title: E. Drawer Models: Undercounter, Worktop, Prep Table					Required Number							
Index No.	Description	Material or Model Number	Part Number	A-5 to E-9								
				1	Drawer Face	CRM_27-D (All)	2A7510G01	1				
		CRM_48-D (All)	2A7511G01	1								
		CRM_72-D (All)										
		CRM_60-D (All)	2A7512G01	1								
2	Drawer Box	CRM_27-D (All)	3A8185G01	1								
		CRM_48-D (All)	3A8191G01	1								
		CRM_72-D (All)										
		CRM_60-D (All)	3A8294G01	1								
3	Right Slide Roller		4A5663-02	1								
4	Left Slide Roller		4A5664-02	1								
5	Gasket	CRM_27-D (All)	2A5192-15	1								
		CRM_48-D (All)	2A5192-17	1								
		CRM_72-D (All)										
		CRM_60-D (All)	2A5192-16	1								

F. Accessories & Labels
Undercounter, Worktop, Prep Table
A-5 to E-9



Title: F. Accessories & Labels Models: Undercounter, Worktop, Prep Table													
Index No.	Description	Material or Model Number	Part Number	Required Number									
				A-5 to D-6 (F)	D-6 (G) to E-9								
1	Penguin Label		456246-02	1	1								
2	4" Caster Kit (includes items 3 and 4)	HS-5035 Undercounter	4A5434A01	1	1								
	2" Caster Kit (includes items 3, 4, and 4a)	HS-5037 Undercounter Low Profile	4A5436A01	1	1								
	6" Caster Kit (includes items 3 and 4)	HS-5036 Worktop Prep Table	4A5435A01	1	1								
3	4" Non-Locking Caster	Undercounter	4A5427-01	2	2								
	2" Non-Locking Caster	Undercounter Low Profile	4A5429-01	2	2								
	6" Non-Locking Caster	Worktop Prep Table	4A5428-01	2	2								
4	4" Locking Caster	Undercounter	4A5427-02	2	2								
	2" Locking Caster	Undercounter Low Profile	4A5429-02	2	2								
	6" Locking Caster	Worktop Prep Table	4A5428-02	2	2								
4a	Wrench	Undercounter Low Profile	4A5492-01	1	1								
Prep Table Specific Parts													
5	1/6 Size Pan, 4" Depth	-8	1000000344	8	8								
		-12 and -12M		12	12								
		-18 and -18M		18	18								
		-24M		24	24								
		-30M		30	30								
6	Cutting Board	CRMR27-8	3A4894-09	1	1								
		CRMR27-12M	3A4894-07	1	-								
			3A4894-09		1								
		CRMR48-8 CRMR48-12	3A4894-10	1	1								
			CRMR48-12M CRMR48-18M	3A4894-10	1	1							
		CRMR60-8 CRMR60-12 CRMR60-16		3A4894-11	1	1							
			CRMR60-12M CRMR60-18M CRMR60-24M	3A4894-11	1	-							
				3A4894-13		1							
		CRMR72-12 CRMR72-16 CRMR72-18	3A4894-14	1	1								
				CRMR72-18M CRMR72-24M CRMR72-30M	1	1							