



# HOSHIZAKI

## Parts List

Commercial Series  
Refrigerated Kitchen Equipment

Models

CR1S, CF1S

CR2S, CF2S

CR3S, CF3S

Full Glass (FGE/FGY),  
Full Solid (FS), Half Solid (HS)



[hoshizakiamerica.com](http://hoshizakiamerica.com)

Number: 71362  
Issued: 12-28-2015  
Revised: 11-3-2016

# CONTENTS

Auxiliary Codes.....	3
Note About Ordering Parts .....	4
A. Main Assembly .....	5
C_1S-FGE/FGY/FGYCL/FGYCR/FS/FSL/HS/HSL .....	5
C_2S-FGE/FGY/FS/HS.....	7
C_3S-FGE/FGYCL/FGYCR/FGY/FGYCL/FGYCR/FS/HS .....	10
B. Refrigeration Circuit.....	14
CR1S-FGE/FGYCL/FGYCR/FGY/FGYCL/FGYCR/FS/FSL/HS/HSL, CR3S-FGY/FGYCL/FGYCR/FS/HS One Section.....	14
CF1S-FGE/FGY/FS/FSL/HS/HSL, CF3S-FS/HS One Section .....	16
CR2S-FGE/FGY/FS/HS, CR3S-FGE/FGY/FGYCL/FGYCR/FS/HS Two Section .....	18
CF2S-FGY/FS/HS, CF3S-FS/HS Two Section .....	20
C. Control Box Assembly .....	22
C_1S-FGE/FGY/FGYCL/FGYCR/FS/FSL/HS/HSL, CR2S-FGE/FGY/FS/HS, CR3S-FGY/FGYCL/FGYCR/FS/HS One & Two Section, CF3S-FS/HS One Section .....	22
CF2S-FGY/FS/HS, CF3S-FS/HS Two Section .....	23
D. Door-Right Hinged.....	24
Full Glass .....	24
Full Solid.....	25
Half Solid.....	26
E. Door-Left Hinged .....	28
Full Glass .....	28
Full Solid.....	29
Half Solid.....	30
F. Accessories & Labels.....	32
C_1S-FGE/FGY/FGYCL/FGYCR/FS/FSL/HS/HSL, C_2S-FGE/FGY/FS/HS, C_3S-FGY/FGYCL/FGYCR/FS/HS .....	32

## Auxiliary Codes

### **CR1S-FGE**

F-5 April 2016

### **CR1S-FGY**

E-5 October 2015  
E-8 October 2015  
F-5 January 2016  
F-6 February 2016

### **CR1S-FGYCL**

E-8 November 2015  
F-5 January 2016  
F-6 February 2016

### **CR1S-FGYCR**

E-8 November 2015  
F-5 January 2016  
F-6 February 2016

### **CR1S-FS**

E-5 March 2015  
E-6 May 2015  
E-7 July 2015  
E-8 October 2015  
F-5 January 2016  
F-6 February 2016  
F-7 June 2016

### **CR1S-FSL**

E-5 April 2015  
E-6 June 2015  
E-7 August 2015  
E-8 October 2015  
F-5 January 2016  
F-6 February 2016  
F-7 June 2016

### **CR1S-HS**

E-5 July 2015  
E-8 October 2015  
F-5 January 2015  
F-6 February 2016  
F-7 June 2016

### **CR1S-HSL**

E-5 July 2015  
E-8 November 2015  
F-5 January 2015  
F-6 February 2016  
June 2016

### **CF1S-FGE**

F-5 April 2016

### **CF1S-FGY**

E-5 September 2015  
F-5 January 2016  
F-6 February 2016  
F-7 March 2016

### **CF1S-FS**

E5 March 2015  
E-6 May 2015  
E-7 July 2015  
E-8 October 2015  
F-5 January 2016  
F-6 February 2016  
F-7 March 2016  
F-8 June 2016

### **CF1S-FSL**

E-5 April 2015  
E-6 June 2015  
E-7 July 2015  
E-8 October 2015  
F-5 January 2016  
F-6 February 2016  
F-7 March 2016  
F-8 June 2016

### **CF1S-HS**

E-5 July 2015  
E-8 October 2015  
F-5 January 2016  
F-6 February 2016  
F-7 March 2016  
F-8 June 2016

### **CF1S-HSL**

E-5 July 2015  
E-8 October 2015  
F-5 January 2016  
F-6 February 2016  
F-7 March 2016  
F-8 June 2016

### **CR2S-FGE**

F-5 April 2016

### **CR2S-FGY**

E-5 October 2015  
E-8 November 2015  
F-5 January 2016  
F-6 February 2016

### **CR2S-FS**

E-5 April 2015  
E-6 June 2015  
E-7 July 2015  
E-8 November 2015  
F-5 January 2016  
F-6 February 2016  
F-7 June 2016

### **CR2S-HS**

E-5 August 2015  
E-8 November 2015  
F-5 January 2016  
F-6 February 2016  
F-7 TBD

### **CF2S-FGY**

E-5 September 2015  
F-5 January 2016  
F-6 February 2016

### **CF2S-FS**

E-5 April 2015  
E-6 June 2015  
E-7 July 2015  
E-8 October 2015  
F-5 January 2016  
F-6 February 2016  
F-7 March 2015  
F-8 June 2016

**CF2S-HS**

E-6 June 2015  
 E-7 August 2015  
 F-6 February 2016  
 F-7 June 2016

**CR3S-FGE**

F-5 May 2016

**CR3S-FGY**

E-5 October 2015  
 F-6 February 2016

**CR3S-FGYCL**

E-8 November 2015  
 F-5 January 2016  
 F-6 February 2016

**CR3S-FGYCR**

E-8 November 2015  
 F-5 January 2016  
 F-6 February 2016

**CR3S-FS**

E-5 July 2015  
 E-7 September 2015  
 E-8 November 2015  
 F-5 January 2016  
 F-6 February 2016  
 F-7 June 2016

**CR3S-HS**

E-5 October 2015  
 E-8 December 2015  
 F-6 February 2016

**CF3S-FS**

E-5 July 2015  
 E-7 September 2015  
 E-8 November 2015  
 F-5 January 2016  
 F-6 February 2016  
 F-7 March 2016  
 F-8 June 2016

**CF3S-HS**

E-8 October 2015  
 F-7 March 2016

**Auxiliary Code Breakdown**

The auxiliary code is the first two characters in the serial number. The first character indicates the year. Years progress or regress in alphabetical order. The series runs from "A" through "V" and the letters "I" and "O" are skipped. The second character indicates significant part changes within a year. Base is "5" and this number advances for each change. In cases where there is a letter in parentheses, this designates the month. This is the last character in the serial number. The series runs from "(A)" through "(M)" and the letter "(I)" is skipped. This designation is only included when identifying a parts change within an auxiliary code.

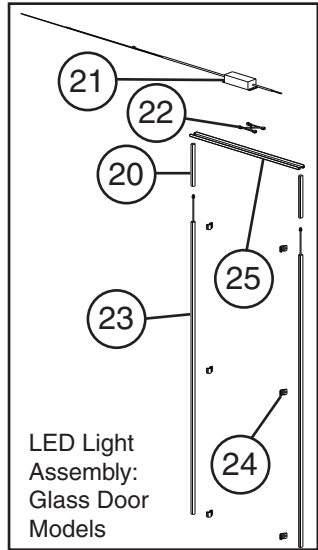
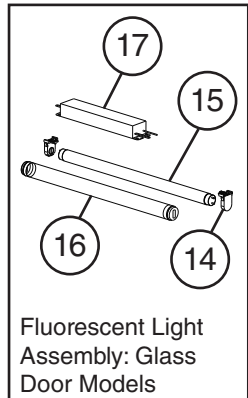
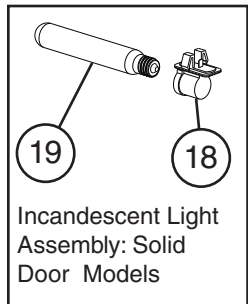
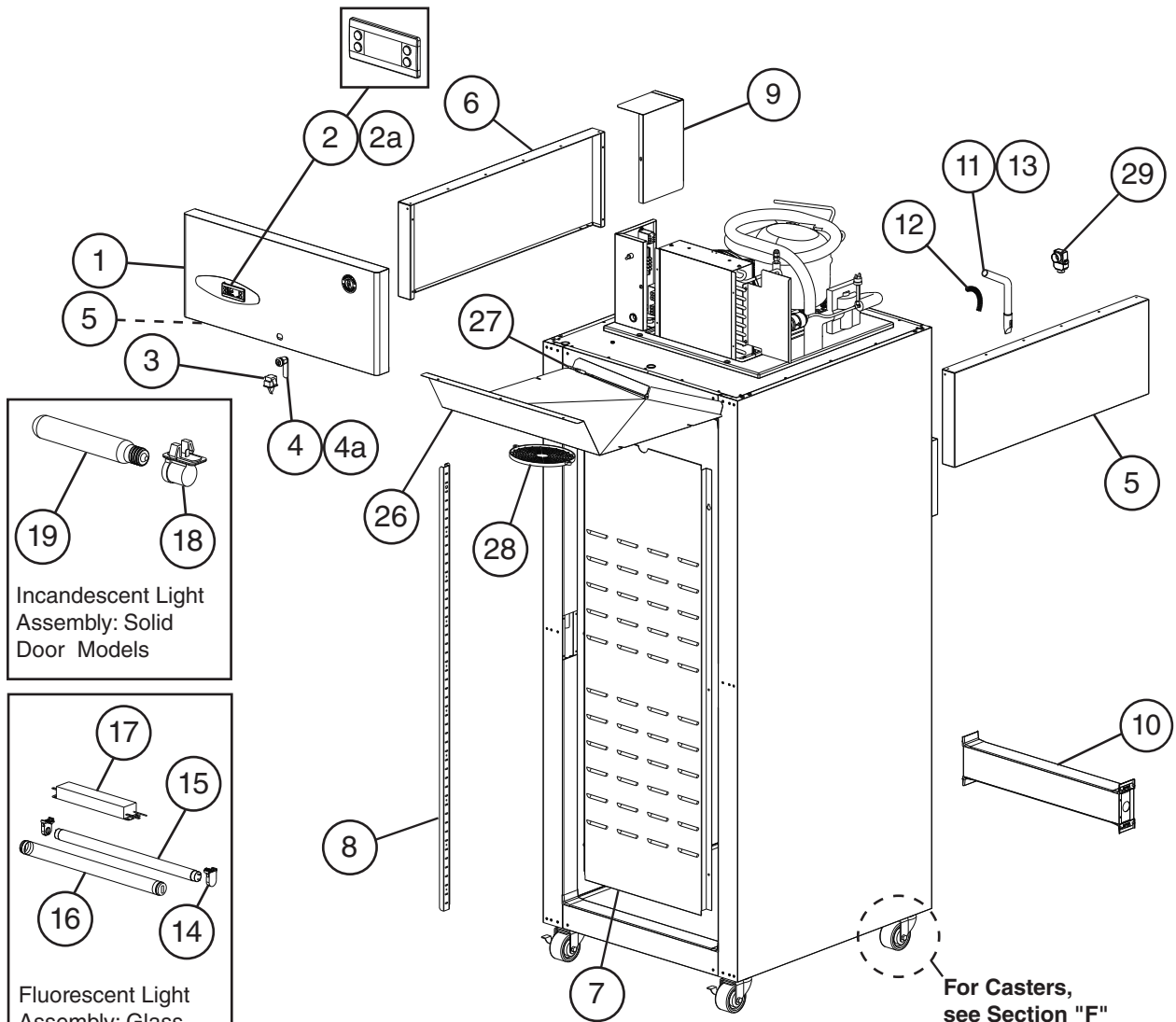
**Note About Ordering Parts**

Most assemblies cannot be ordered as complete units; parts in the assemblies generally must be ordered separately.

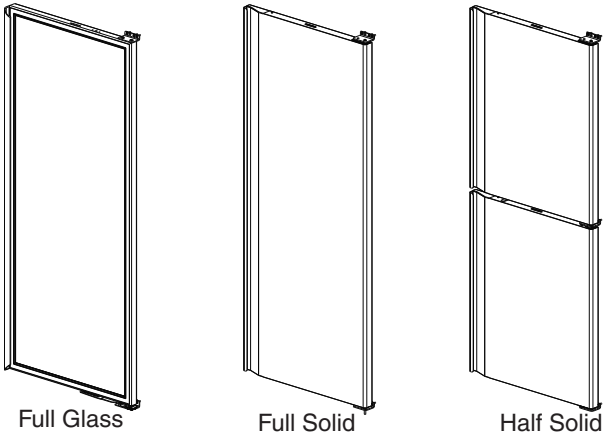
# A. Main Assembly

## C\_1S-FGE/FGY/FGYCL/FGYCR/FS/FSL/HS/HSL

E-5 to F-8



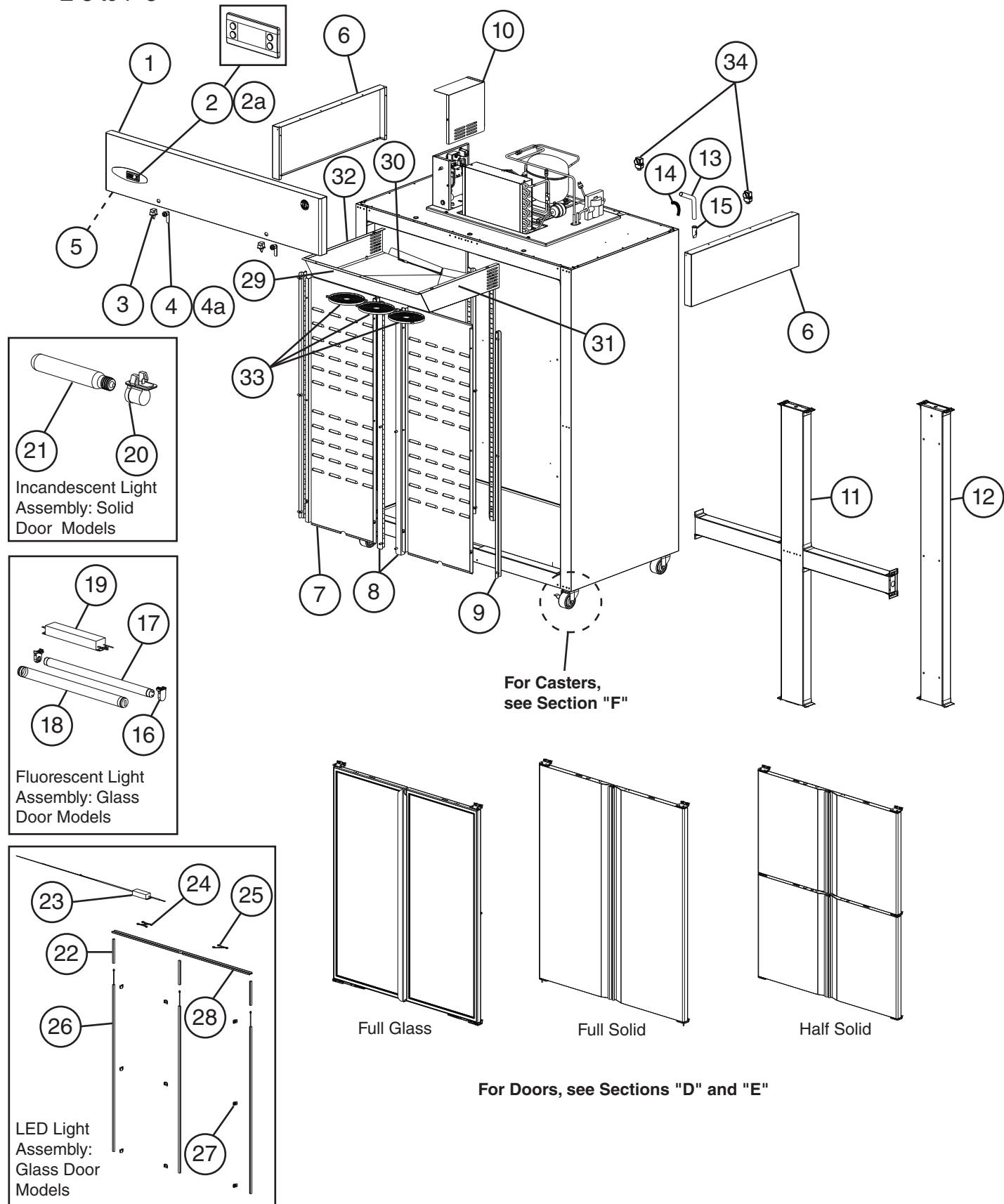
For Casters, see Section "F"



For Doors, see Section "D" and "E"

Title: A. Main Assembly Model: C_1S-FGE/FGCECL/FGECR/FGY/FGYCL/FGYCR/FS/FSL/HS/HSL													
Index No.	Description	Material or Model Number	Part Number	Required Number									
				E-5 E-6	E-7 E-8	F-5 to F-6 (E)	F-6 (F) to F-7 (E)	F-7 (F) F-8					
1	Front Panel	<b>CR1S-XXX</b>	3A9034G01	1	1	1	1	1					
		<b>CF1S-XXX</b>	3A9047G01	1	1	1	1	1					
2	Control Module	<b>CR1S-XXX</b>	SP-5209	1	1	1	-						
			4A5911G01				1	1					
		<b>CF1S-XXX</b>	SP-5210	1	1	1	1	-					
			4A5912G01						1				
2a	Control Module Mounting Clip		4A5502-01	2	2	2	2	2					
3	Door Switch		3A1826-01	1	1	1	1	1					
4	Lock (includes item 4a)		4A4924-01	1	1	1	1	1					
4a	Key (includes 2 keys)		4A5453-01	1	1	1	1	1					
5	Light Switch	<b>Glass Doors</b>	4A0818-01		1	1	1	1					
6	Side Panel		2A7819-01	2	2	2	2	2					
7	Rear Duct Panel		2A7690-01	1	1	1	1	1					
8	Pilaster		3A0145-01	4	4	4	4	4					
9	Control Box Cover		2A6750-01	1	1	-							
			2A8029-01			1	1	1					
10	Horizontal Mullion	<b>CR1S-HS/HSL</b>	2A7850G01	1	1	1	1	1					
		<b>CF1S-HS/HSL</b>	2A7839G01	1	1	1	1	1					
11	Vinyl Hose	L=170 mm	7716-1519	1	1	1	1	1					
12	Spring		3A8781-01	1	1	1	1	1					
13	Drain Boot		4A4938-01	1	1	1	1	1					
14	Fluorescent Light Mount	<b>C_1S-FGY</b>	4A4346-01	1	1	1	1	1					
15	Fluorescent Light Bulb		4A4347-02	1	1	1	1	1					
16	Fluorescent Light Bulb Guard		4A4348-02	1	1	1	1	1					
17	Fluorescent Light Ballast		4A4350-01	1	1	1	1	1					
18	Incandescent Light Socket	<b>C_1S-FS/FSL/ HS/HSL</b>	4A4443-01	1	1	1	1	1					
19	Incandescent Light Bulb		4A4444-01	1	1	1	1	1					
20	LED Lens (wire sleeve)	<b>C_1S-FGE</b>	3A8999-01			2	2	2					
21	LED Driver		3A8997-01			1	1	1					
22	LED Double Harness		3A9017-01			1	1	1					
23	LED Lamp		3A8998-01			2	2	2					
24	LED Clip		4A5906-01			6	6	6					
25	LED Bracket		2A8041-01			1	1	1					
26	Evaporator Fan Shroud		3A8664G01	1	1	1	1	1					
27	Drain Tube Heater	<b>CF1S-XXX</b>	4A2975-07	1	1	1	1	1					
28	Evaporator Fan Guard		4A4860-01	1	1	1	1	1					
29	Pressure Relief Valve		4A5694-01	1	1	1	1	1					

**A. Main Assembly**  
**C\_2S-FGE/FGY/FS/HS**  
 E-5 to F-8



**Title: A. Main Assembly Model: C\_2S-FGE/FGY/FS/HS**

Index No.	Description	Material or Model Number	Part Number	Required Number										
				E-5 E-6	E-7 E-8	F-5 to F-6 (E)	F-6 (F) to F-7 (E)	F-7 (F) F-8						
1	Front Panel	<b>CR2S-XXX</b>	2A8074G01	1	1	1	1	1						
		<b>CF2S-XXX</b>	2A8081G01	1	1	1	1	1						
2	Control Module	<b>CR2S-XXX</b>	SP-5209	1	1	1	-							
			4A5911G01				1	1						
		<b>CF2S-XXX</b>	SP-5210	1	1	1	1	-						
			4A5912G01					1						
2a	Control Module Mounting Clip		4A5502-01	2	2	2	2	2						
3	Door Switch		3A1826-01	2	2	2	2	2						
4	Lock (includes item 4a)		4A4924-01	2	2	2	2	2						
4a	Key (includes 2 keys)		4A5453-01	2	2	2	2	2						
5	Light Switch	<b>Glass Doors</b>	4A0818-01		1	1	2	2						
6	Side Panel		2A7819-01	2	2	2	2	2						
7	Rear Duct Panel		2A7690-01	2	2	2	2	2						
8	Rear Pilaster		2A7867-01	2	2	2	2	2						
9	Pilaster		3A0145-02	6	6	6	6	6						
10	Control Box Cover	<b>CR2S-XXX</b>	2A6750-01	1	1	-								
		<b>CF2S-XXX</b>	2A6751-01	1	1	-								
		<b>All</b>	2A8029-01			1	1	1						
11	Cross Mullion	<b>CR2S-HS</b>	2A7899G01	1	1	1	1	1						
		<b>CF2S-HS</b>	2A7851G01	1	1	1	1	1						
12	Vertical Mullion	<b>CR2S-FS/FGY</b>	2A7823G01	1	1	1	1	1						
		<b>CR2S-FGE</b>	2A8072G01			1	1	1						
		<b>CF2S-FS/FGY</b>	2A7788G01	1	1	1	1	1						
		<b>CF2S-FGE</b>	2A8082G01			1	1	1						
13	Vinyl Hose	L=170 mm	7716-1519	1	1	1	1	1						
14	Spring		3A8781-01	1	1	1	1	1						
15	Drain Boot		4A4938-01	1	1	1	1	1						
16	Fluorescent Light Mount	<b>C_2S-FGY</b>	4A4346-01	4	4	4	4	4						
17	Fluorescent Light Bulb		4A4347-02	2	2	2	2	2						
18	Fluorescent Light Bulb Guard		4A4348-02	2	2	2	2	2						
19	Fluorescent Light Ballast		4A4350-01	1	1	1	1	1						
20	Incandescent Light Socket	<b>C_2S-FS/HS</b>	4A4443-01	2	2	2	2	2						
21	Incandescent Light Bulb		4A4444-01	2	2	2	2	2						
22	LED Lens (wire sleeve)	<b>C_2S-FGE</b>	3A8999-01			3	3	3						
23	LED Driver		3A8997-01			1	1	1						
24	Double LED Harness		3A9017-01			1	1	1						
25	Single LED Harness		3A9016-01			1	1	1						
26	LED Lamp		3A8998-01			3	3	3						
27	LED Clip		4A5906-01			9	9	9						
28	LED Bracket			2A8042-01			1	1	1					



**Title: A. Main Assembly    Model: C\_2S-FGE/FGY/FS/HS**

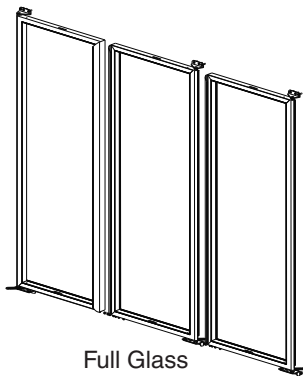
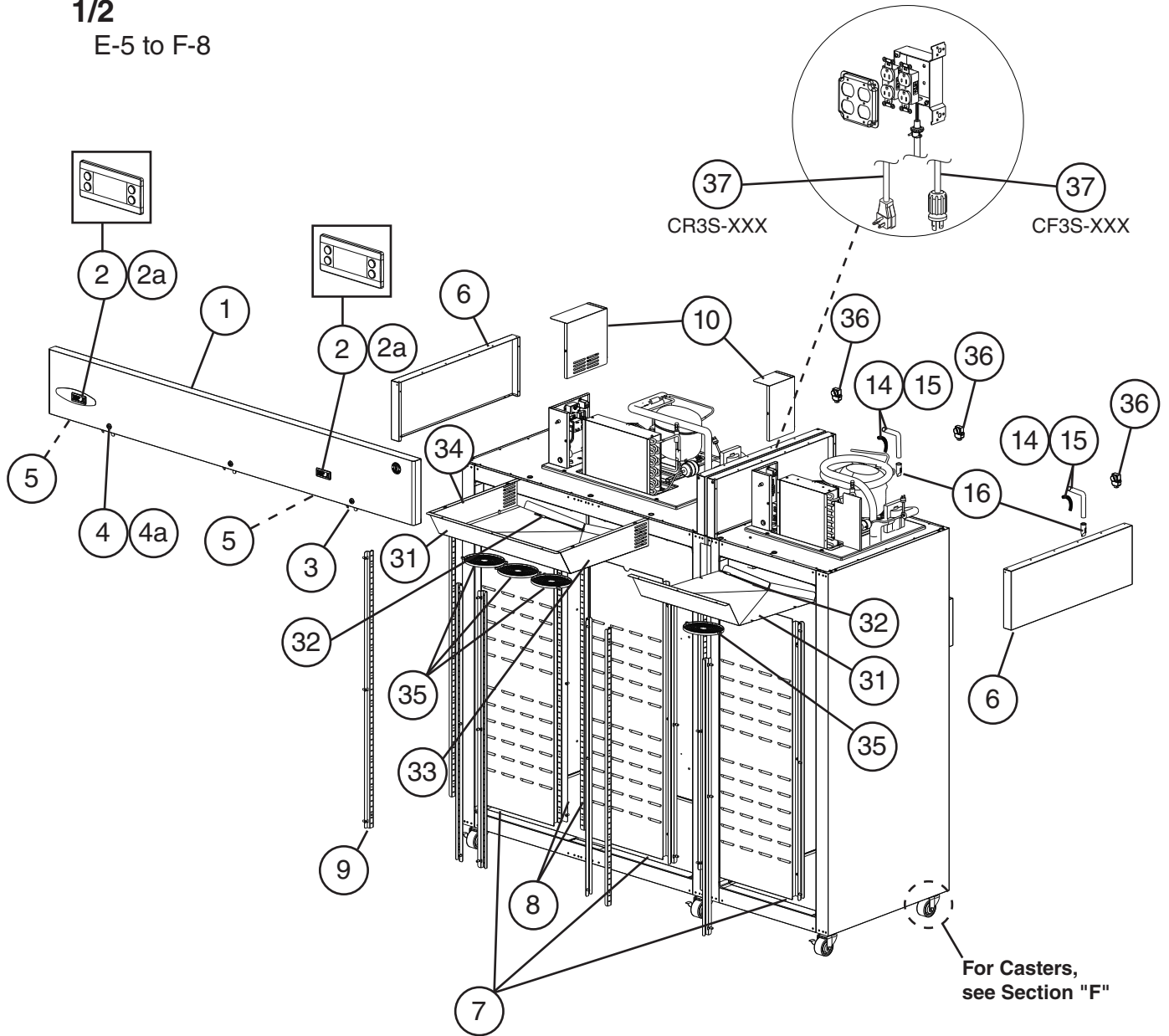
Index No.	Description	Material or Model Number	Part Number	Required Number									
				E-5 E-6	E-7 E-8	F-5 to F-6 (E)	F-6 (F) to F-7 (E)	F-7 (F) F-8					
29	Evaporator Fan Shroud		3A6212G01	1	1	1	1	1					
30	Drain Tube Heater	<b>CF2S-XXX</b>	4A2975-07	1	1	1	1	1					
31	Right Side Evaporator Fan Shroud		3A6629G01	1	1	1	1	1					
32	Left Side Evaporator Fan Shroud		3A6638G01	1	1	1	1	1					
33	Evaporator Fan Guard		4A4860-01	3	3	3	3	3					
34	Pressure Relief Valve		4A5694-01	2	2	2	1	1					

# A. Main Assembly

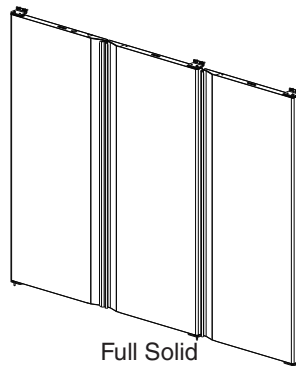
## C\_3S-FGE/FGACL/FGECR/FGY/FGYCL/FGYCR/FS/HS

1/2

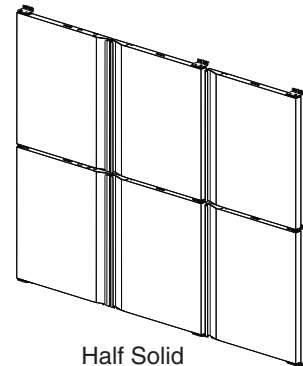
E-5 to F-8



Full Glass



Full Solid



Half Solid

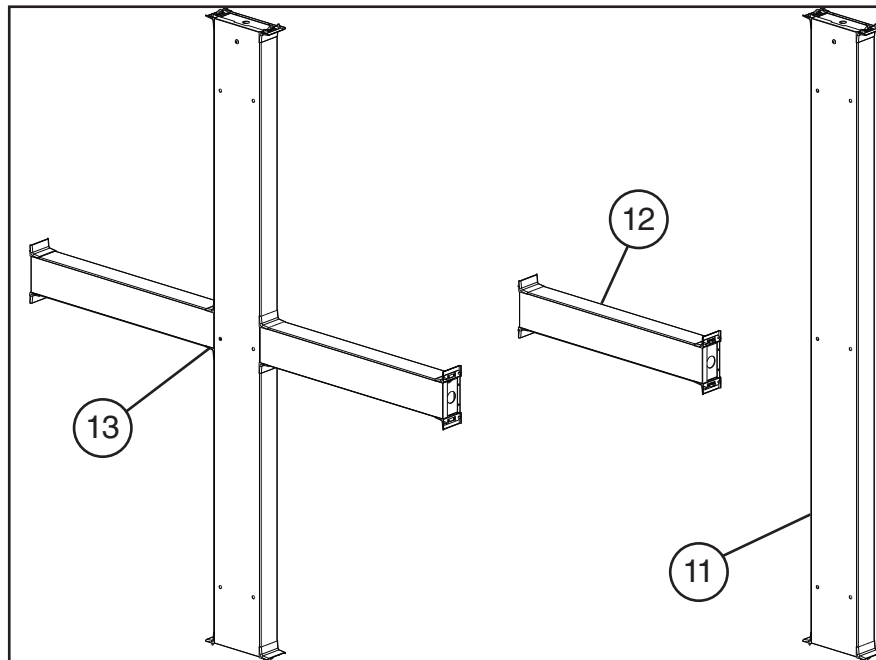
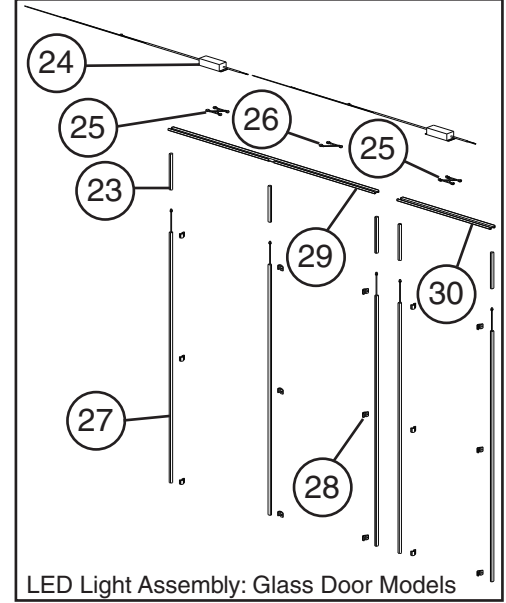
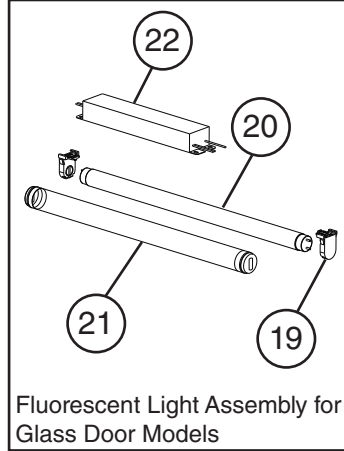
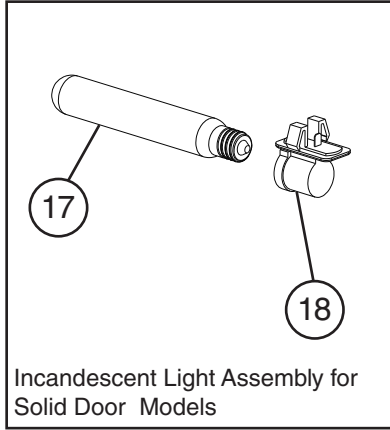
For Doors, see Sections "D" and "E"

# A. Main Assembly

C\_3S-FGE/FGECL/FGECR/FGY/FGYCL/FGYCR/FS/HS

2/2

E-5 to F-8



**Title: A. Main Assembly Model: C\_3S-FGE/FGY/FGYCL/FGYCR/FS/HS**

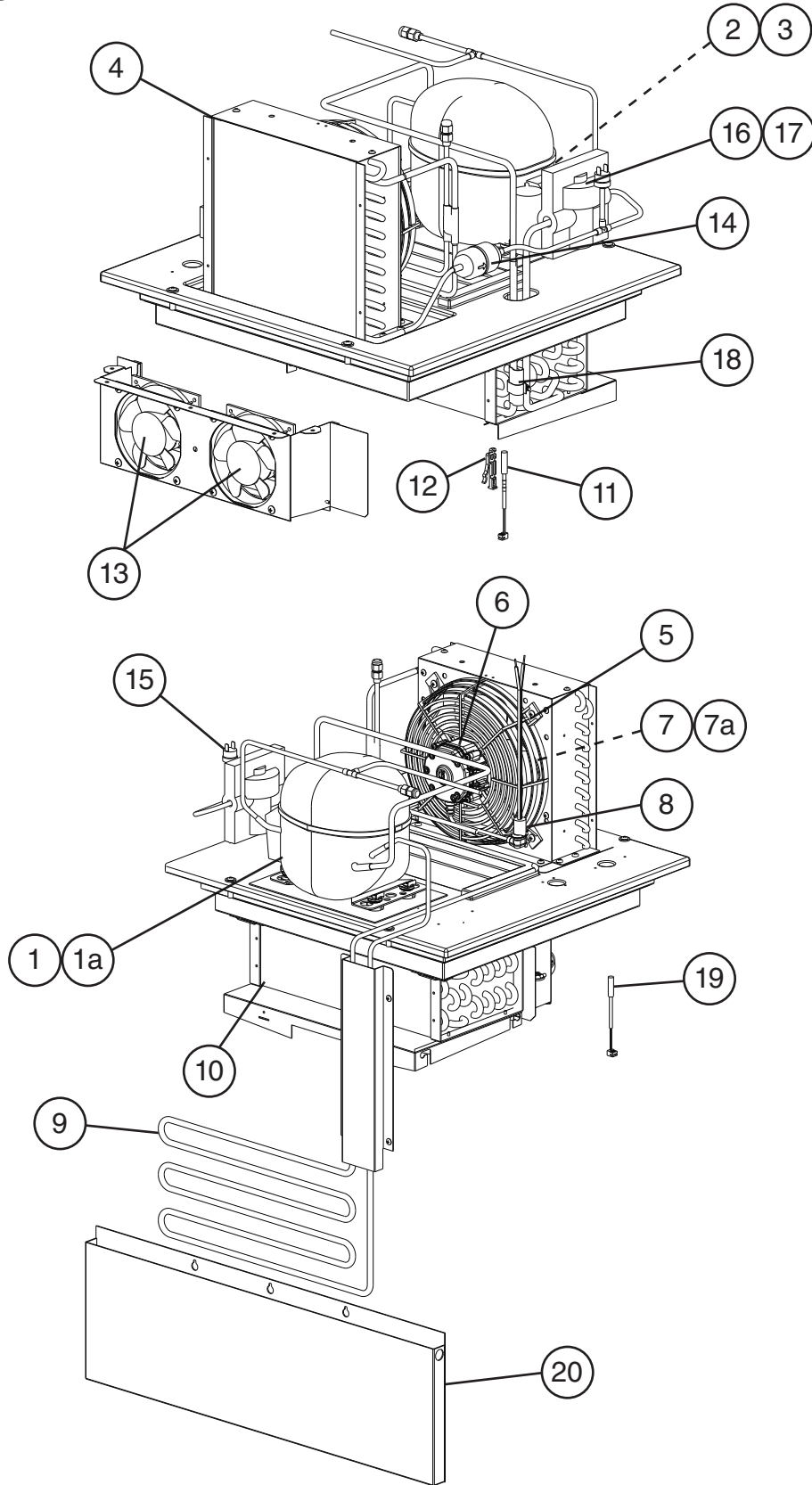
Index No.	Description	Material or Model Number	Part Number	Required Number										
				E-5 to E-8	F-5 F-6	F-7 F-8								
1	Front Panel	<b>CR3S-XXX</b>	3A9050G01	1	1	1								
		<b>CF3S-XXX</b>	3A9068G01	1	1	1								
2	Control Module	<b>CR3S-XXX</b>	SP-5209	2	2	-								
			4A5911G01			2								
		<b>CF3S-XXX</b>	SP-5210	2	2	-								
			4A5912G01			2								
2a	Control Module Mounting Clip		4A5502-01	4	4	4								
3	Door Switch		3A1826-01	3	3	3								
4	Lock (includes item 4a)		4A4924-01	3	3	3								
4a	Key (includes 2 keys)		4A5453-01	3	3	3								
5	Light Switch	<b>Glass Doors</b>	4A0418-01	2	2	2								
6	Side Panel		2A7819-01	4	4	4								
7	Rear Duct Panel		2A7690-01	3	3	3								
8	Rear Pilaster		2A7867-01	2	2	2								
9	Pilaster	One Section	3A0145-01	4	4	4								
		Two Section	3A0145-02	6	6	6								
10	Control Box Cover	One Section	2A6750-01	1	-									
		Two Section	2A6751-01	1	-									
			2A8029-01		2	2								
11	Vertical Mullion	<b>CR3S-FS/FGY/FGYCL/FGYCR</b>	2A7823G01	1	1	1								
		<b>CR3S-FGE</b>	2A8072G01		1	1								
		<b>CF3S-FS</b>	2A7788G01	1	1	1								
12	Horizontal Mullion	<b>CR3S-HS</b>	2A7850G01	1	1	1								
		<b>CF3S-HS</b>	2A7839G01	1	1	1								
13	Cross Mullion	<b>CR3S-HS</b>	2A7899G01	1	1	1								
		<b>CF3S-HS</b>	2A7841G01	1	1	1								
14	Vinyl Hose	L=170 mm	7716-1519	2	2	2								
15	Spring		3A8781-01	2	2	2								
16	Drain Boot		4A4938-01	2	2	2								
17	Incandescent Light Socket	<b>C_3S-XXX</b>	4A4443-01	3	3	3								
18	Incandescent Light Bulb		4A4444-01	3	3	3								
19	Fluorescent Light Mount	<b>C_3S-FGY</b>	4A4346-01	6	6	-								
20	Fluorescent Light Bulb		4A4347-02	3	3	-								
21	Fluorescent Light Bulb Guard		4A4348-02	3	3	-								
22	Fluorescent Light Ballast		4A4350-01	2	2	-								
23	LED Lens (wire sleeve)	<b>C_3S-FGE</b>	3A8999-01		5	5								
24	LED Driver		3A8997-01		2	2								
25	Double LED Harness		3A9017-01		2	2								
26	Single LED Harness		3A9016-01		1	1								
27	LED Lamp		3A8998-01		5	5								
28	LED Clip		4A5906-01		15	15								
29	LED Bracket		2A8042-01		1	1								
30	LED Bracket		2A8041-01		1	1								

Title: A. Main Assembly    Model: C_3S-FGE/FGY/FGYCL/FGYCR/FS/HS											
Index No.	Description	Material or Model Number	Part Number	Required Number							
				E-5 to E-8	F-5 F-6	F-7 F-8					
31	Evaporator Fan Shroud	One Section	3A8664G01	1	1	1					
		Two Section	3A6212G01	1	1	1					
32	Drain Tube Heater	<b>CF3S-XXX</b>	4A2975-07	2	2	2					
33	Right Side Evaporator Fan Shroud	Two Section	3A6629G01	1	1	1					
34	Left Side Evaporator Fan Shroud		3A6638G01	1	1	1					
35	Evaporator Fan Guard		4A4860-01	4	4	4					
36	Pressure Relief Valve		4A5694-01	3	2	2					
37	Power Junction Cord	<b>CR3S-XXX</b>	4A5379-01	1	1	1					
		<b>CF3S-XXX</b>	4A5318-01	1	1	1					

## B. Refrigeration Circuit

CR1S-FGE/FGECL/FGECL/FGECL/FGY/FGYCL/FGYCR/FS/FS/HS/HS/HS,  
CR3S-FGY/FGYCL/FGYCR/FS/HS One Section

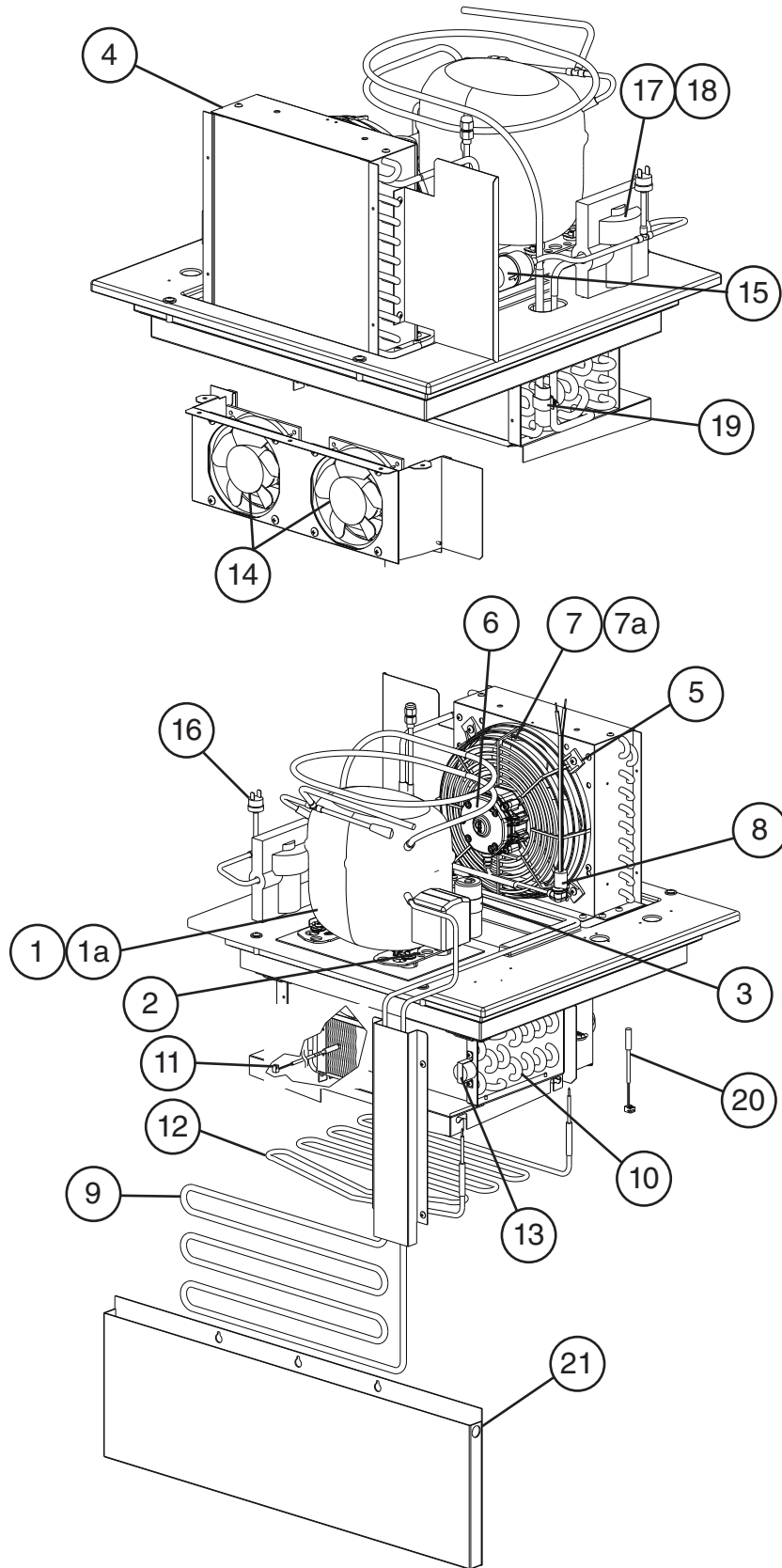
E-5 to F-8



**Title: B. Refrigeration Circuit    Model: CR1S-FGE/FGACL/FGECR//FGY/FGYCL/FGYCR/FS/FSL/HS/HSL, CR3S-FGY/FGYCL/FGYCR/FS/HS One Section**

Index No.	Description	Material or Model Number	Part Number	E-5 to F-8	Required Number								
1	Compressor		4A3177-01	1									
1a	Compressor Mount Insert		4A4875-01	4									
2	Start Relay		4A2135-03	1									
3	Start Capacitor	280MFD, 165VAC	4A2134-01	1									
4	Condenser		2A6415-01	1									
5	Condenser Fan Guard		2A5187-01	1									
6	Condenser Fan Motor		4A5498-01	1									
7	Condenser Fan Blade		3A5817-01	1									
7a	Self Locking Nut	8-32	7N2110832	1									
8	Harness Plug		4A5497-01	1									
9	Condensate Loop		3A8712G01	1									
10	Evaporator		2A7531-01	1									
11	Defrost Thermistor		4A4865-02	1									
12	Thermistor Clip		4A3248G01	1									
13	Evaporator Fan Motor		4A5343-01	2									
14	Drier		4A1113-01	1									
15	High-Pressure Switch		4A2516-01	1									
16	Thermostatic Expansion Valve		4A4597-01	1									
17	Thermostatic Expansion Valve Cover		4A4646-01	1									
18	Thermostatic Expansion Valve Bulb Holder		3A0107-01	1									
19	Cabinet Thermistor		4A4864-01	1									
20	Condensate Pan		2A7848-01	1									

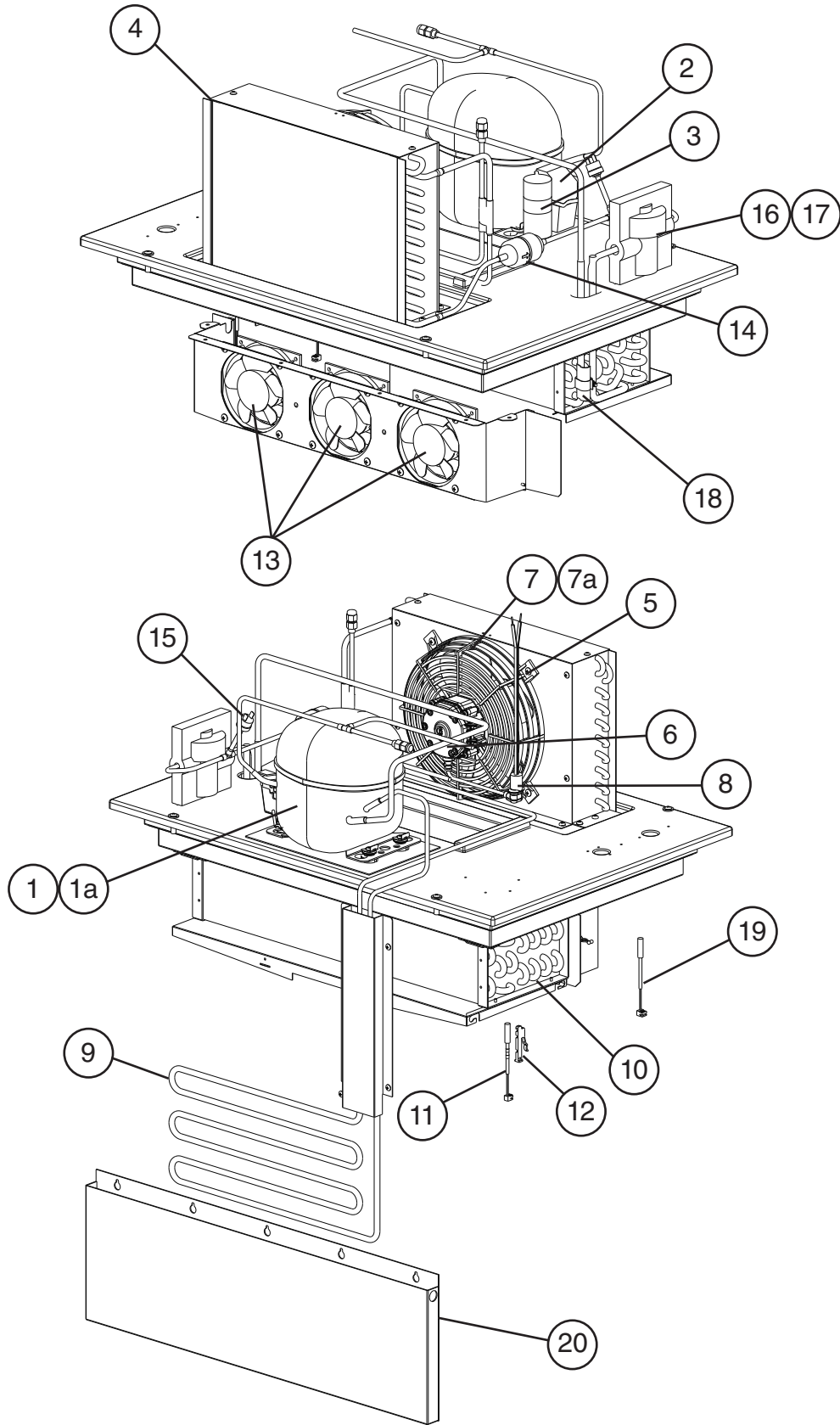
**B. Refrigeration Circuit**  
**CF1S-FGE/FGY/FS/FSL/HS/HSL,**  
**CF3S-FS/HS One Section**  
E-5 to F-8





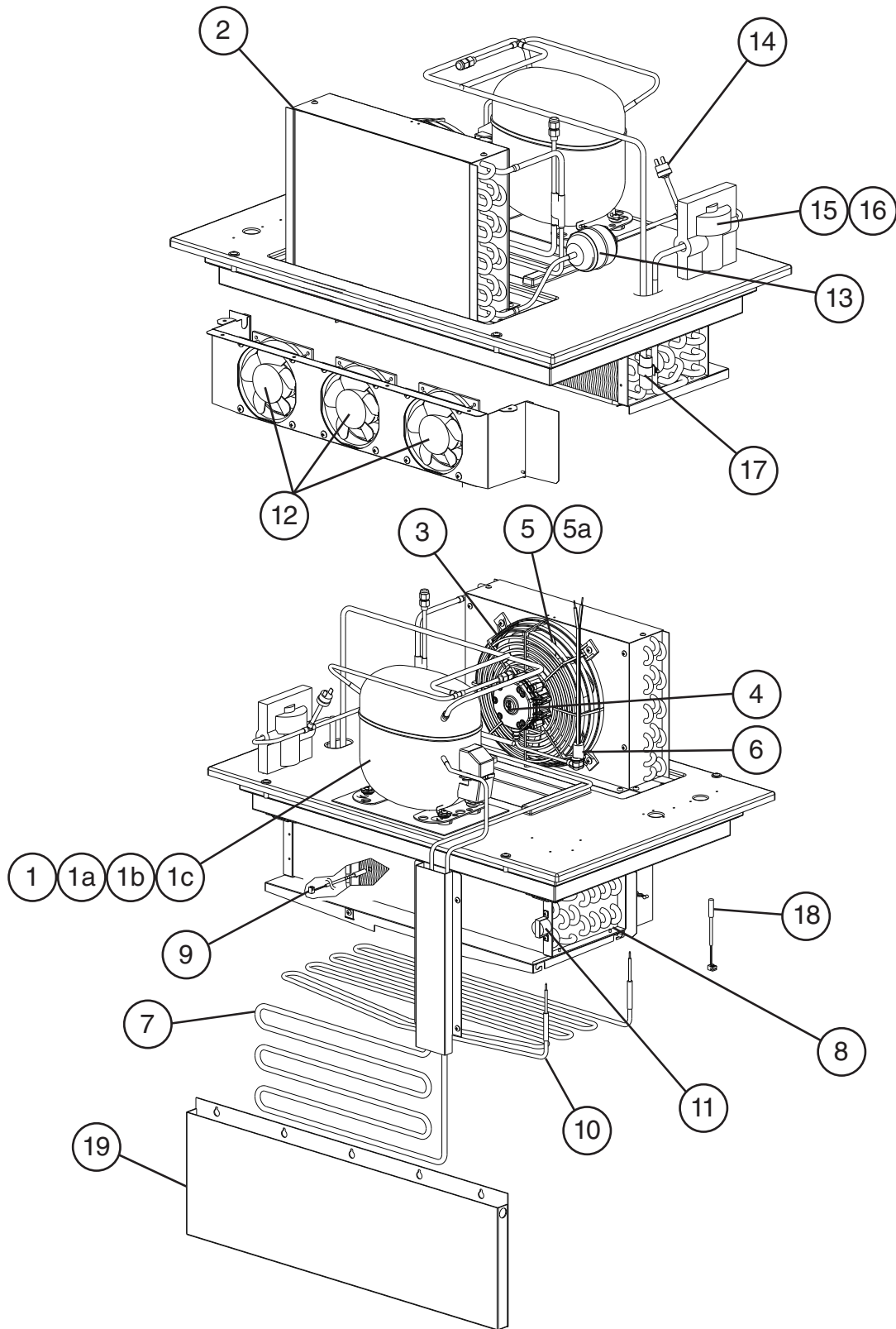
Title: B. Refrigeration Circuit Model: CF1S-FGE/FGY/FS/FSL/HS/HSL, CF3S-FS/HS One Section												
Index No.	Description	Material or Model Number	Part Number	E-5 to F-8	Required Number							
1	Compressor		4A3808-01	1								
1a	Compressor Mount Insert		4A4875-01	4								
2	Start Relay		4A3113-01	1								
3	Start Capacitor	240MFD, 165VAC	4A2134-03	1								
4	Condenser		2A6415-01	1								
5	Condenser Fan Guard		2A5187-01	1								
6	Condenser Fan Motor		4A5498-01	1								
7	Condenser Fan Blade		3A5817-01	1								
7a	Self Locking Nut	8-32	7N2110832	1								
8	Harness Plug		4A5497-01	1								
9	Condensate Loop		3A8712G01	1								
10	Evaporator		2A7531-01	1								
11	Defrost Thermistor		4A4865-02	1								
12	Defrost Heater		2A7575-01	1								
13	Defrost Thermostat		4A0954-02	1								
14	Evaporator Fan Motor		4A5343-01	2								
15	Drier		4A1113-01	1								
16	High-Pressure Switch		4A2516-02	1								
17	Thermostatic Expansion Valve		4A5344-01	1								
18	Thermostatic Expansion Valve Cover		4A4646-01	1								
19	Thermostatic Expansion Valve Bulb Holder		3A0107-01	1								
20	Cabinet Thermistor		4A4864-01	1								
21	Condensate Pan		2A7848-01	1								

**B. Refrigeration Circuit**  
**CR2S-FGE/FGY/FS/HS,**  
**CR3S-FGE/FGY/FGYCL/FGYCR/FS/HS Two Section**  
 E-5 to F-7



Title: B. Refrigeration Circuit Model: CR2S-FGE/FGY/FS/HS, CR3S-FGE/FGY/FGYCL/FGYCR/FS/HS Two Section												
Index No.	Description	Material or Model Number	Part Number	Required Number								
				E-5 to F-7								
1	Compressor		4A3958-01	1								
1a	Compressor Mount Insert		4A4875-01	4								
2	Start Relay		4A2135-04	1								
3	Start Capacitor	280MFD, 165VAC	4A2134-01	1								
4	Condenser		2A5862-01	1								
5	Condenser Fan Guard		2A5187-01	1								
6	Condenser Fan Motor		4A5498-01	1								
7	Condenser Fan Blade		3A5817-01	1								
7a	Self Locking Nut	8-32	7N2110832	1								
8	Harness Plug		4A5497-01	1								
9	Condensate Loop		3A8712G01	1								
10	Evaporator		2A7532-01	1								
11	Defrost Thermistor		4A4865-02	1								
12	Thermistor Clip		4A3248G01	1								
13	Evaporator Fan		4A5343-01	3								
14	Drier		4A1113-01	1								
15	High-Pressure Switch		4A2516-01	1								
16	Thermostatic Expansion Valve		4A4598-01	1								
17	Thermostatic Expansion Valve Cover		4A4646-01	1								
18	Thermostatic Expansion Valve Bulb Holder		3A0107-01	1								
19	Cabinet Thermistor		4A4864-01	1								
20	Condensate Pan		2A7869-01	1								

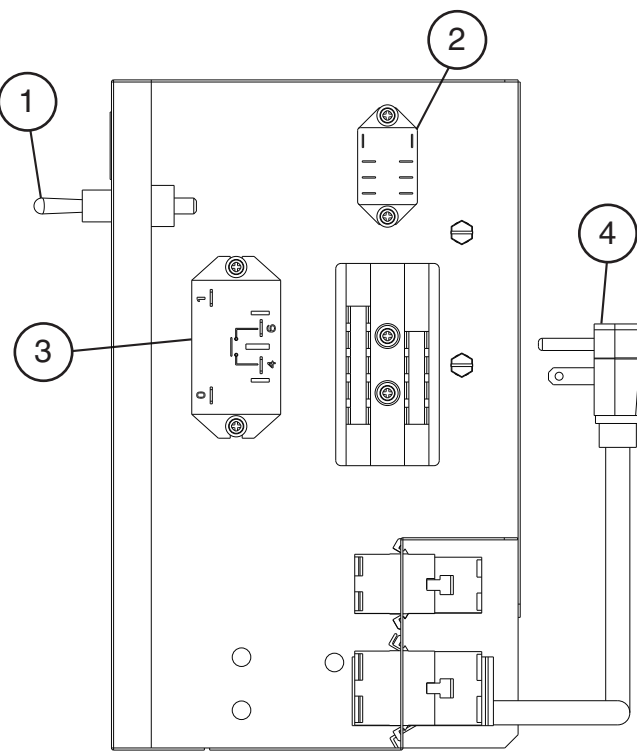
**B. Refrigeration Circuit**  
**CF2S-FGY/FS/HS,**  
**CF3S-FS/HS Two Section**  
E-5 to F-8



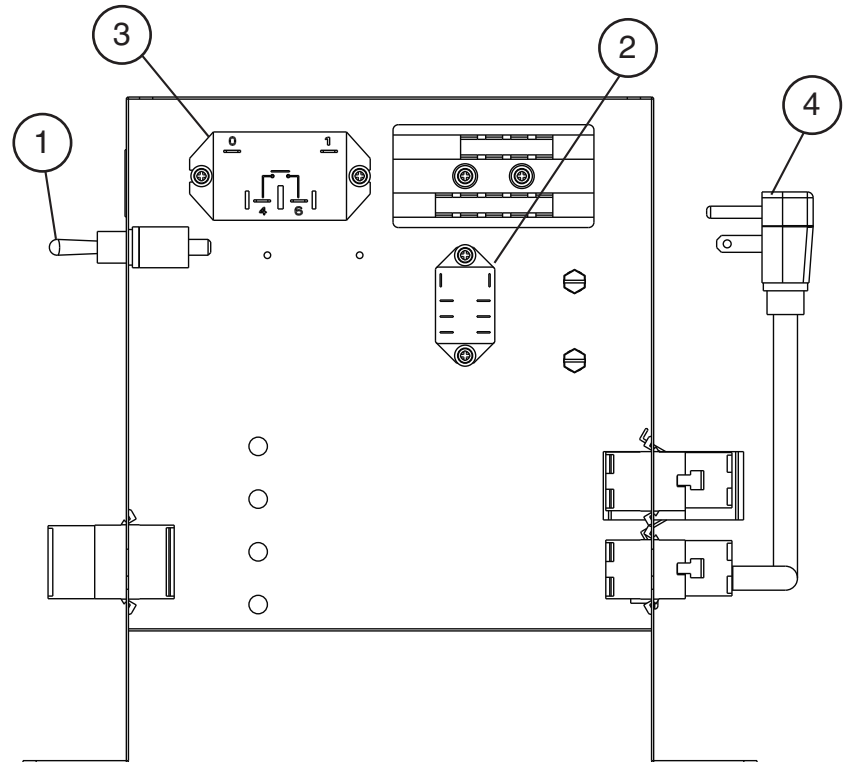
**Title: B. Refrigeration Circuit    Model: CF2S-FGY/FS/HS,  
CF3S-FS/HS Two Section**

Index No.	Description	Material or Model Number	Part Number	E-5 to F-8	Required Number															
1	Compressor		4A3815-01	1																
1a	Protector		4A3679-01	1																
1b	Protector Holder		4A3680-01	1																
1c	Compressor Mount Insert		4A4875-01	4																
2	Condenser		2A5902-01	1																
3	Condenser Fan Guard		2A5187-01	1																
4	Condenser Fan Motor		4A5498-01	1																
5	Condenser Fan Blade		3A5817-01	1																
5a	Self Locking Nut	8-32	7N2110832	1																
6	Harness Plug		4A5497-01	1																
7	Condensate Loop		3A8712G01	1																
8	Evaporator		2A7532-01	1																
9	Defrost Thermistor		4A4865-02	1																
10	Defrost Heater		2A7585-01	1																
11	Defrost Thermostat		4A0954-02	1																
12	Evaporator Fan		4A5343-01	3																
13	Drier		4A1113-01	1																
14	High-Pressure Switch		4A2516-02	1																
15	Thermostatic Expansion Valve		4A5161-01	1																
16	Thermostatic Expansion Valve Cover		4A4646-01	1																
17	Thermostatic Expansion Valve Bulb Holder		3A0107-01	1																
18	Cabinet Thermistor		4A4864-01	1																
19	Condensate Pan		2A7869-01	1																

**C. Control Box Assembly**  
**C\_1S-FGE/FGY/FGYCL/FGYCR/FS/FSL/HS/HSL,**  
**CR2S-FGE/FGY/FS/HS,**  
**CR3S-FGY/FGYCL/FGYCR/FS/HS One & Two Section,**  
**CF3S-FS/HS One Section**  
 E-5 to F-8



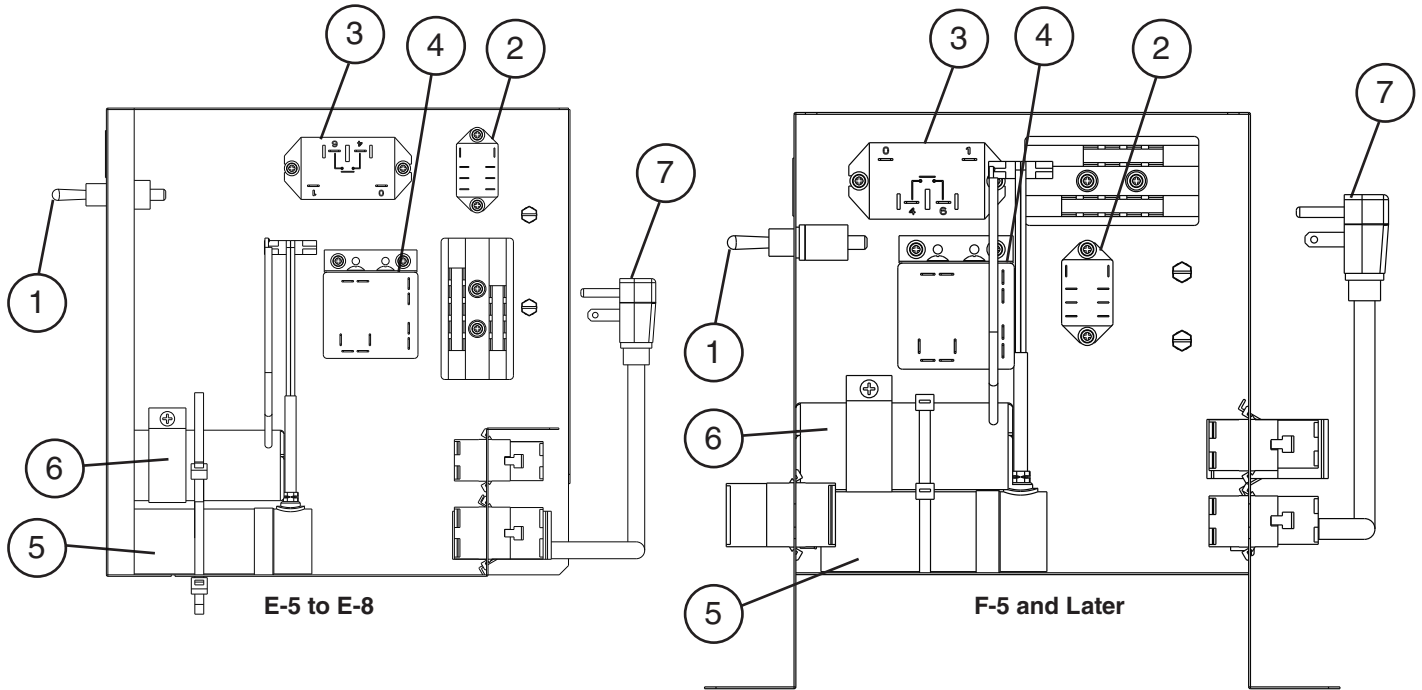
**E-5 to E-8**



**F-5 and Later**

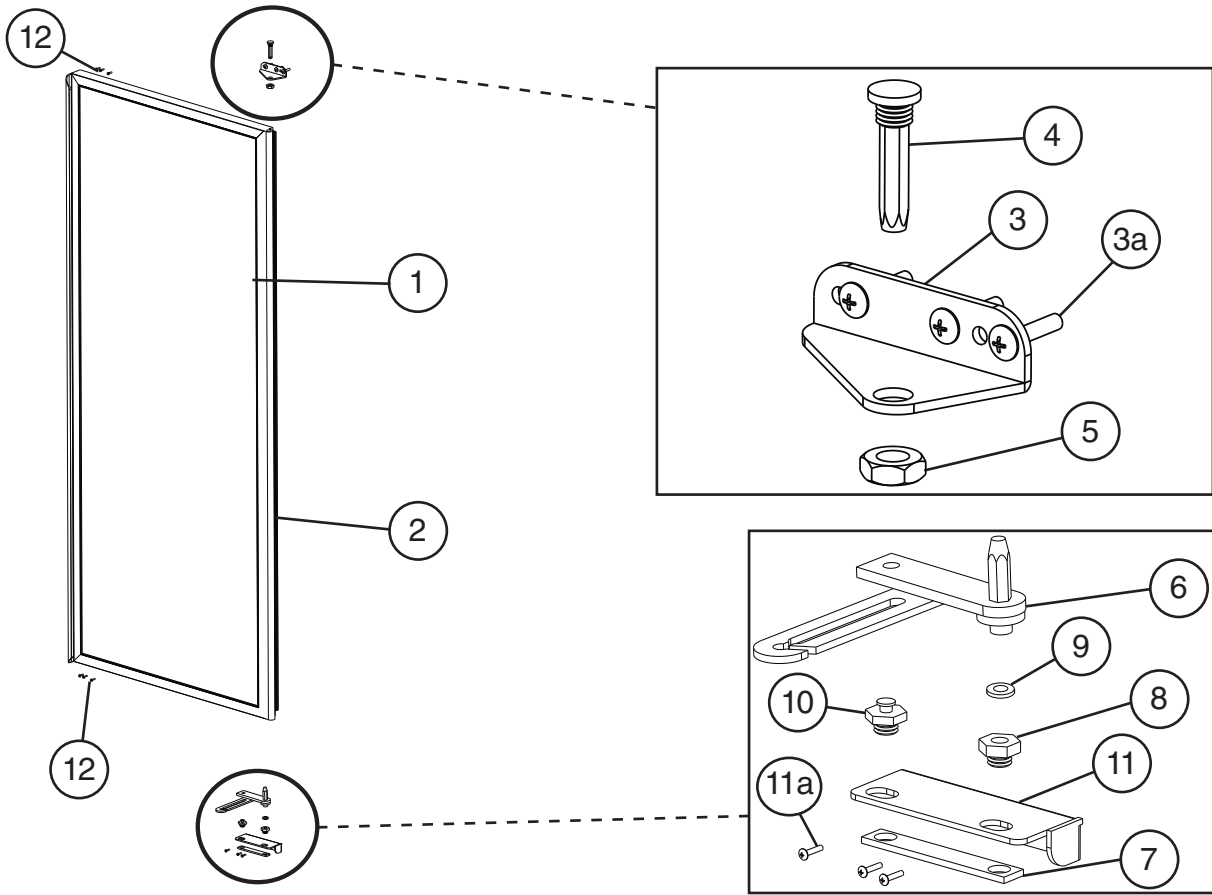
Title: C. Control Box Assembly    Model: C_1S-FGE/FGY/FGYCL/FGYCR/FS/FSL/HS/HSL, CR2S-FGE/FGY/FS/HS, C_3S-FGY/FGYCL/FGYCR/FS/HS One Section													
Index No.	Description	Material or Model Number	Part Number	Required Number									
				E-5 to F-8									
1	Power Switch		4A0424-01	1									
2	Door Switch Relay	10A, 120VAC	406132-07	1									
3	Compressor Relay	120VAC	4A3140-01	1									
4	Power Supply Cord		4A0520-01	1									

**C. Control Box Assembly**  
**CF2S-FGY/FS/HS,**  
**CF3S-FS/HS Two Section**  
 E-5 to F-8



Title: C. Control Box Assembly		Model: CF2S-FGY/FS/HS, CF3S-FS/HS Two Section		Required Number								
Index No.	Description	Material or Model Number	Part Number	E-5 to F-8								
1	Power Switch		4A0424-01	1								
2	Door Switch Relay		406132-07	1								
3	Compressor Relay	120VAC	4A3140-01	1								
4	Start Relay		4A3683-01	1								
5	Run Capacitor	23.5MFD, 280VAC	4A4208-01	1								
6	Start Capacitor	410MFD, 165VAC	4A2134-02	1								
7	Power Supply Cord		4A0520-01	1								

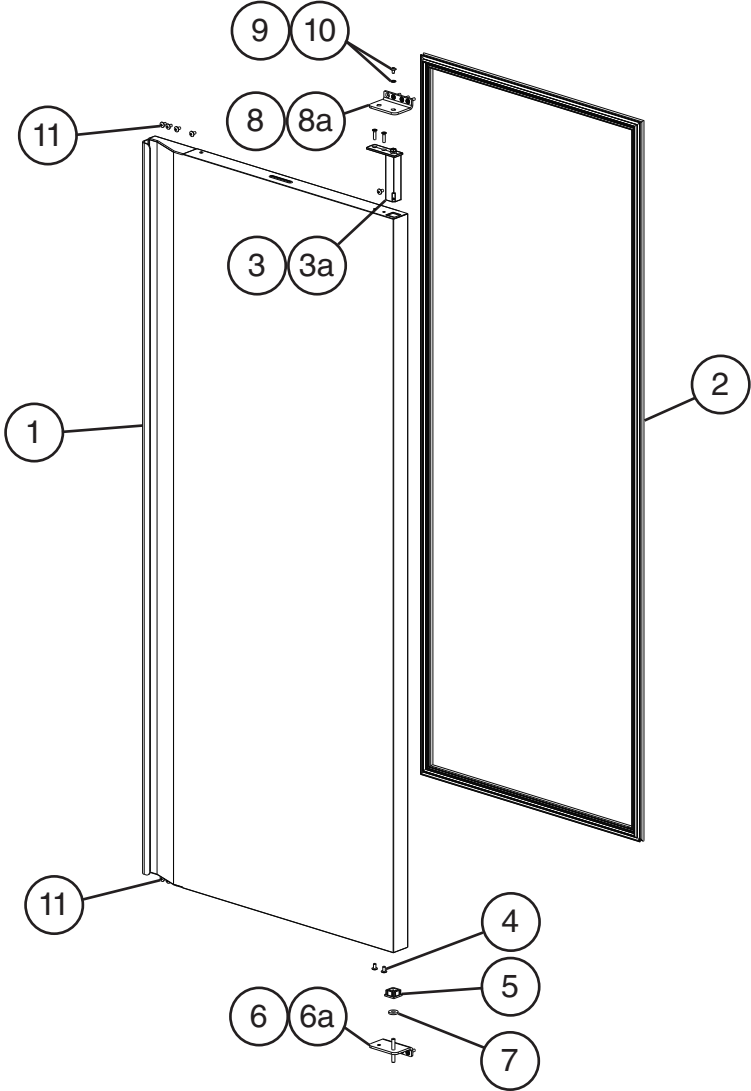
# D. Door-Right Hinged Full Glass E-5 to F-8



Title: D. Door-Right Hinged Model: Full Glass					Required Number												
Index No.	Description	Material or Model Number	Part Number	E-5 to F-8													
1	Right Glass Door	CR_S-FGE	2A7834-03	1													
		CR_S-FGY															
		CF_S-FGE			2A7834-04	1											
CF_S-FGY																	
2	Door Gasket		3A8864-01	1													
3	Upper Hinge Bracket		3A8808-02	1													
3a	Truss Head Screw	5x25, SS	7C32-0525	3													
4	Hinge Pin (tension rod)		3A7946-04	1													
5	Lock Nut		3A7946-05	1													
6	Lower Hinge		3A7946-01	1													
7	Backer Plate		3A7946-08	1													
8	Lower Hinge Bushing		3A7946-09	1													
9	Nylon Washer		3A7946-10	1													
10	Slide Pin		3A7946-11	1													
11	Lower Hinge Bracket		3A8807-01	1													
11a	Truss Head Screw	5x25, SS	7C32-0525	3													
12	Truss Head Screw (filler screws)	5x10, SS	7C32-0510	10													

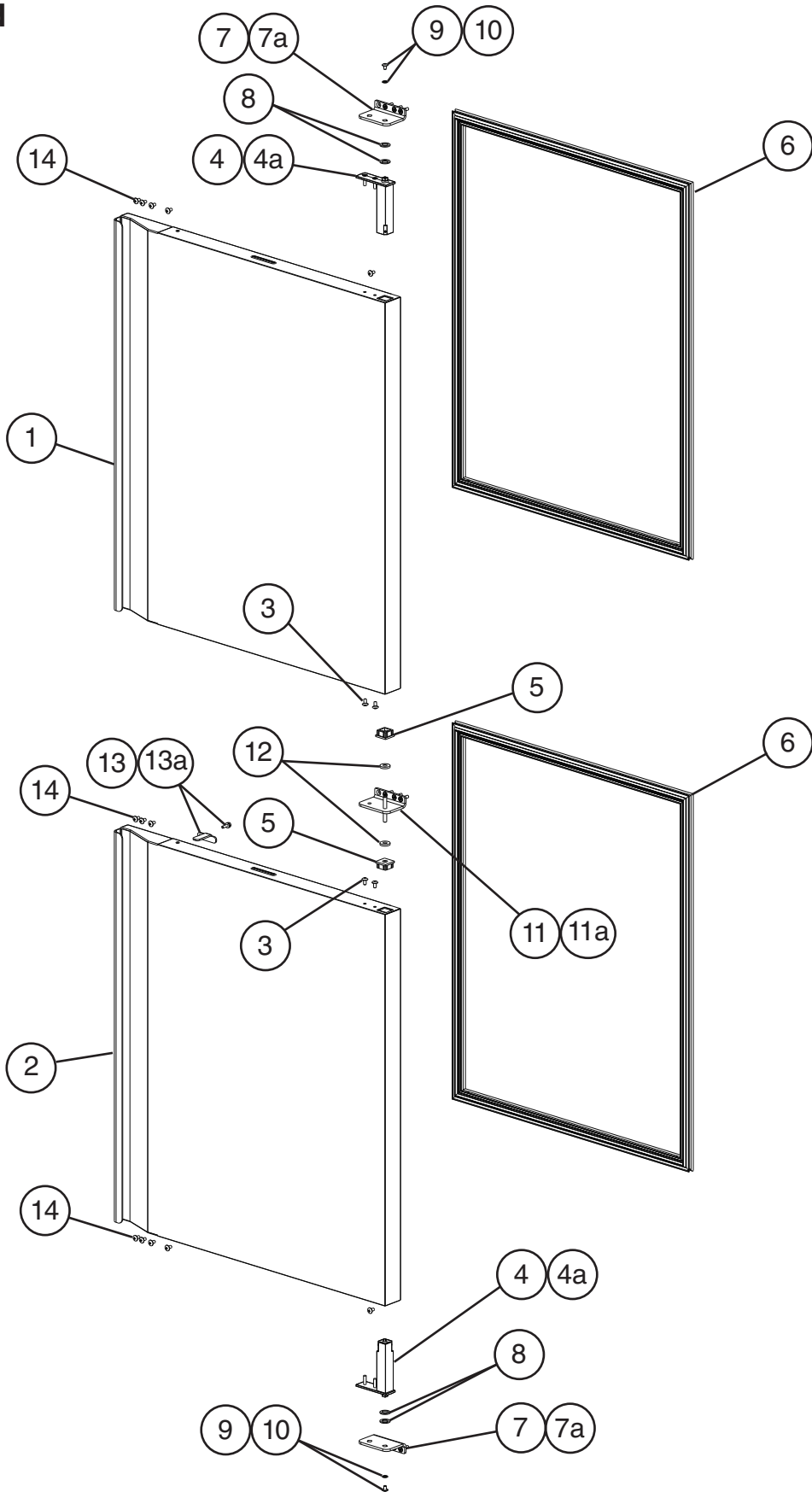


**D. Door-Right Hinged**  
**Full Solid**  
 E-5 to F-8



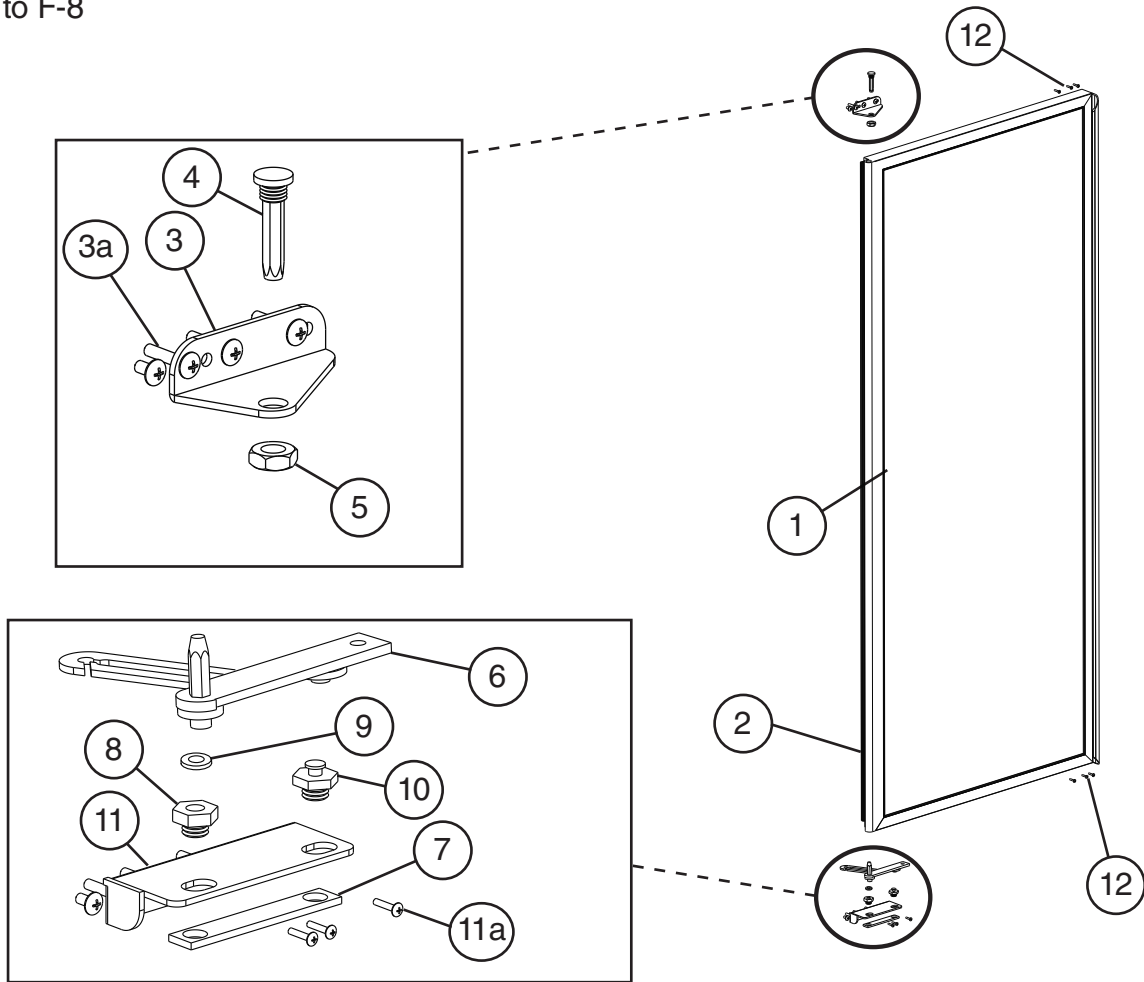
Title: D. Door-Right Hinged		Model: Full Solid		Required Number										
Index No.	Description	Material or Model Number	Part Number	E-5 to F-8										
1	Right Door Assembly (includes items 2 through 5)		2A7814G01	1										
2	Door Gasket		2A5192-07	1										
3	Hinge Cartridge		3A6258-01	1										
3a	Countersunk Screw	5x20, SS	7C42-0520	2										
4	Truss Head Screw	5x10, SS	7C32-0510	2										
5	Bearing		4A5232-01	1										
6	Lower Hinge Bracket		3A6250G02	1										
6a	Countersunk Screw	5x20, SS	7C42-0520	3										
7	Thrust Washer		4A5234-01	1										
8	Upper Hinge Bracket		3A6249-01	1										
8a	Countersunk Screw	5x20, SS	7C42-0520	3										
9	Lock Washer		4A5231-01	1										
10	Screw		4A5230-01	1										
11	Truss Head Screw (filler screw)	5x10, SS	7C32-0510	10										

**D. Door-Right Hinged**  
**Half Solid**  
E-5 to F-8



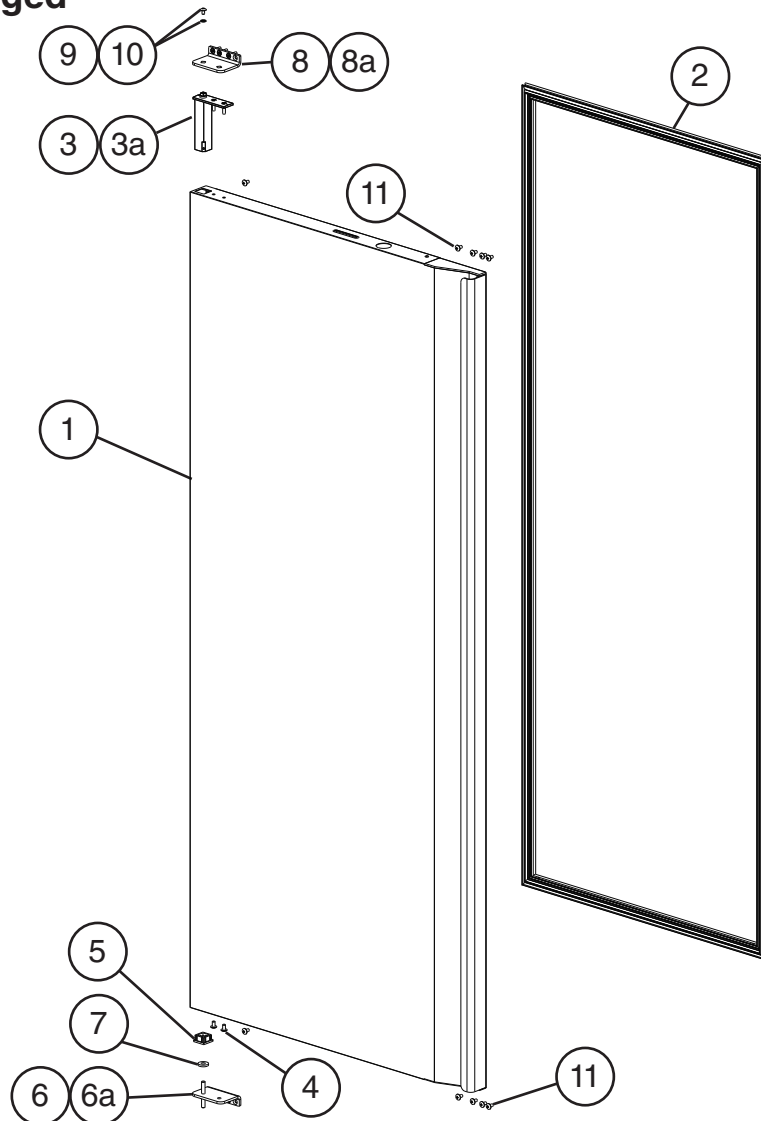
Title: D. Door-Right Hinged Model: Half Solid											
Index No.	Description	Material or Model Number	Part Number	Required Number							
				E-5 to F-8							
1	Upper Right/Lower Left Door Assembly (includes half the quantity of items 3 through 6)		2A7837G01	1							
2	Lower Right/Upper Left Door Assembly (includes half the quantity of items 3 through 6)		2A7838G01	1							
3	Truss Head Screw	5x10, SS	7C32-0510	4							
4	Hinge Cartridge		3A6258-01	2							
4a	Countersunk Screw	5x20, SS	7C42-0520	4							
5	Bearing		4A5232-01	2							
6	Door Gasket		2A5192-22	2							
7	Upper/Lower Hinge Bracket		3A6249-01	2							
7a	Countersunk Screw	5x20, SS	7C42-0520	6							
8	Thrust Washer		4A5233-01	4							
9	Lock Washer		4A5231-01	2							
10	Screw		4A5230-01	2							
11	Middle Hinge Bracket		3A6250G01	1							
11a	Countersunk Screw	5x20, SS	7C42-0520	3							
12	Thrust Washer		4A5234-01	2							
13	Half-Door Lock		4A5249-01	1							
13a	Bolt		449879-08	1							
14	Truss Head Screw (filler screws)	5x10, SS	7C32-0510	13							

**E. Door-Left Hinged**  
**Full Glass**  
 E-5 to F-8



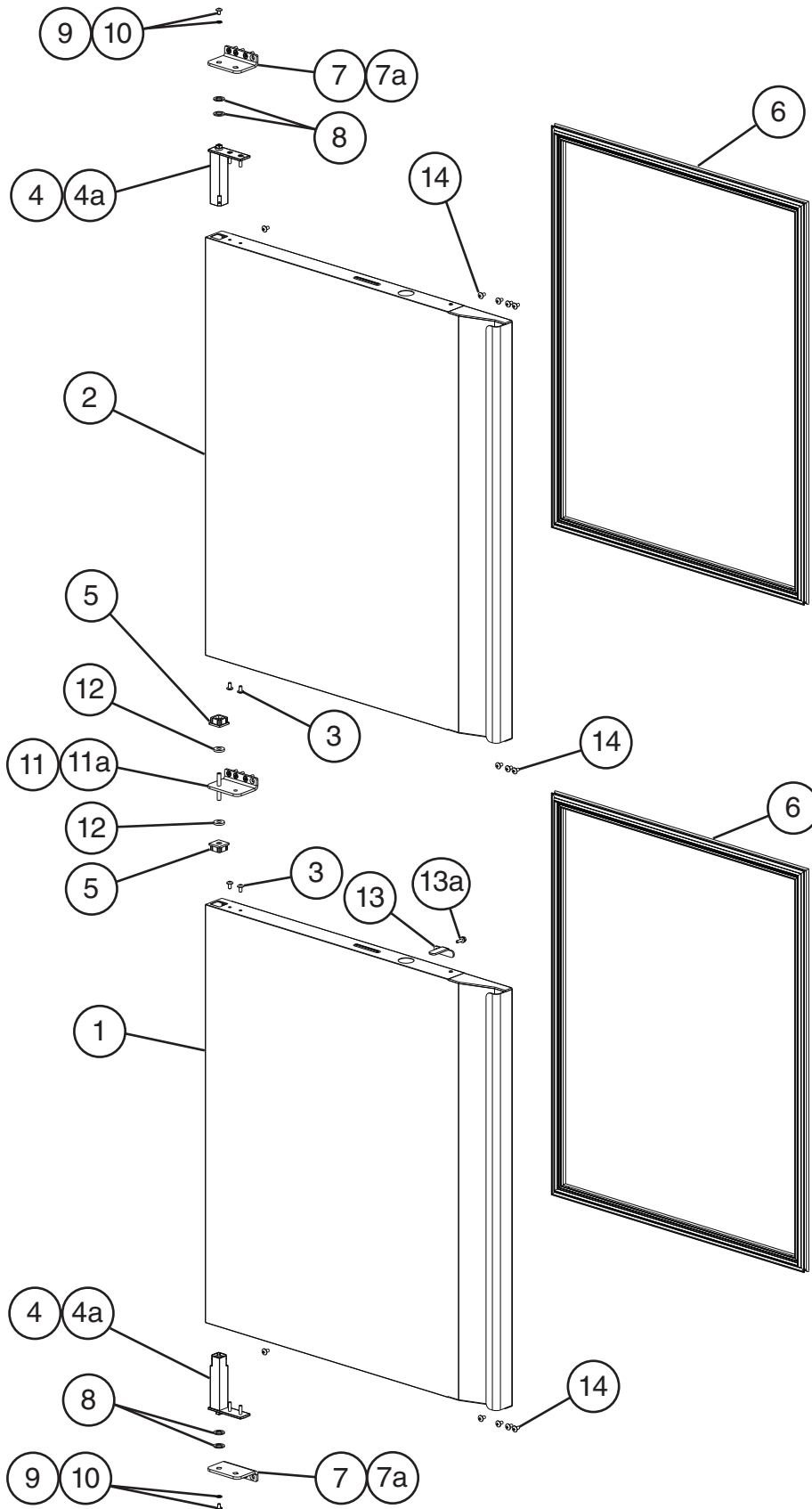
Title: E. Door-Left Hinged Model: Full Glass					Required Number											
Index No.	Description	Material or Model Number	Part Number	E-5 to F-8												
1	Left Glass Door	CR_S-FGE	2A7834-01	1												
		CR_S-FGY														
	CF_S-FGE	2A7834-02	1													
	CF_S-FGY															
2	Door Gasket		3A8864-01	1												
3	Upper Hinge Bracket		3A8808-01	1												
3a	Truss Head Screw	5x25, SS	7C32-0525	3												
4	Hinge Pin (tension rod)		3A7946-04	1												
5	Lock Nut		3A7946-05	1												
6	Lower Hinge		3A7946-01	1												
7	Backer Plate		3A7946-08	1												
8	Lower Hinge Bushing		3A7946-09	1												
9	Nylon Washer		3A7946-10	1												
10	Slide Pin		3A7946-11	1												
11	Lower Hinge Bracket		3A8807-02	1												
11a	Truss Head Screw	5x25, SS	7C32-0525	3												
12	Truss Head Screw (filler screws)	5x10, SS	7C32-0510	10												

**E. Door-Left Hinged**  
**Full Solid**  
 E-5 to F-8



Title: E. Door-Left Hinged		Model: Full Solid		Required Number										
Index No.	Description	Material or Model Number	Part Number	E-5 to F-8										
1	Left Door Assembly (includes items 8 through 11)		2A7817G01	1										
2	Door Gasket		2A5192-07	1										
3	Hinge Cartridge		3A6258-01	1										
3a	Countersunk Screw	5x20, SS	7C42-0520	2										
4	Truss Head Screw	5x10, SS	7C32-0510	2										
5	Bearing		4A5232-01	1										
6	Lower Hinge Bracket		3A6250G01	1										
6a	Countersunk Screw	5x20, SS	7C42-0520	3										
7	Thrust Washer		4A5234-01	1										
8	Upper Hinge Bracket		3A6249-01	1										
8a	Countersunk Screw	5x20, SS	7C42-0520	3										
9	Lock Washer		4A5231-01	1										
10	Screw		4A5230-01	1										
11	Truss Head Screw (filler screws)	5x10, SS	7C32-0510	10										

**E. Door-Left Hinged  
Half Solid**  
E-5 to F-8



Title: E. Door-Left Hinged Model: Half Solid												
Index No.	Description	Material or Model Number	Part Number	Required Number								
				E-5 to F-8								
1	Upper Right/Lower Left Door Assembly (includes half the quantity of items 3 through 6)		2A7837G01	1								
2	Lower Right/Upper Left Door Assembly (includes half the quantity of items 3 through 6)		2A7838G01	1								
3	Truss Head Screw	5x10, SS	7C32-0510	4								
4	Hinge Cartridge		3A6258-01	2								
4a	Countersunk Screw	5x20, SS	7C42-0520	4								
5	Bearing		4A5232-01	2								
6	Door Gasket		2A5192-22	2								
7	Upper/Lower Hinge Bracket		3A6249-01	2								
7a	Countersunk Screw	5x20, SS	7C42-0520	6								
8	Thrust Washer		4A5233-01	4								
9	Lock Washer		4A5231-01	2								
10	Screw		4A5230-01	2								
11	Middle Hinge Bracket		3A6250G02	1								
11a	Countersunk Screw	5x20, SS	7C42-0520	3								
12	Thrust Washer		4A5234-01	2								
13	Half-Door Lock		4A5249-01	1								
13a	Bolt	5x16, SS	449879-08	1								
14	Truss Head Screw (filler screws)	5x10, SS	7C32-0510	13								

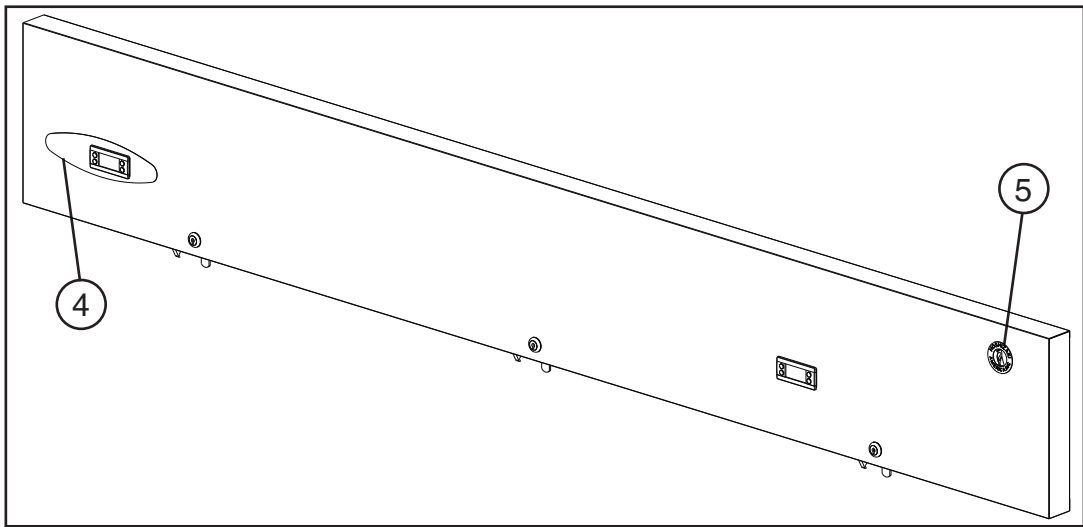
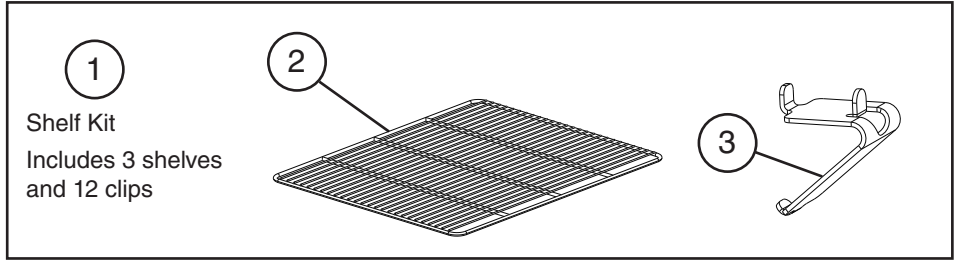
**F. Accessories & Labels**

**C\_1S-FGE/FGY/FGYCL/FGYCR/FS/FSL/HS/HSL,**

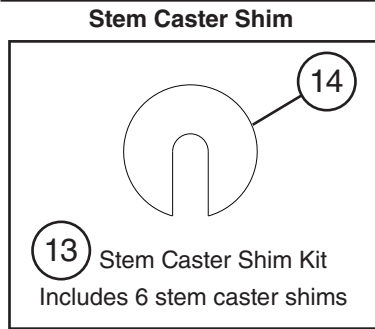
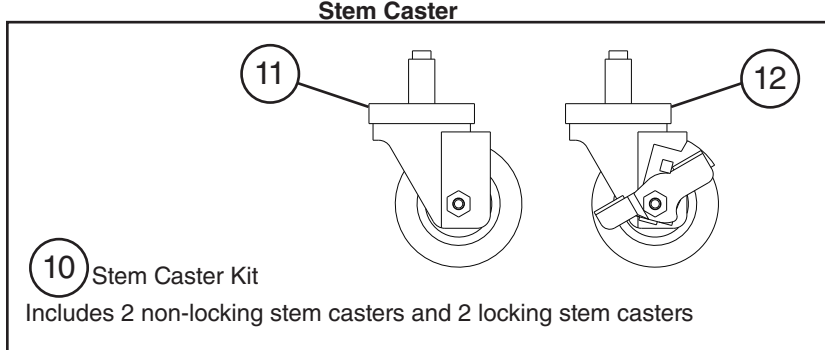
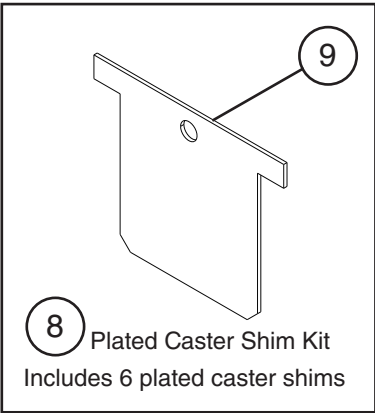
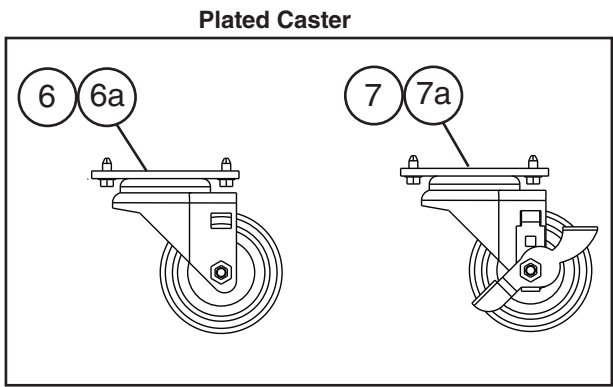
**C\_2S-FGE/FGY/FS/HS,**

**C\_3S-FGY/FGYCL/FGYCR/FS/HS**

E-5 to F-8



**Plated Caster Shim**





Title: F. Accessories & Labels Model: C_1S-FGE/FGY/FGYCL/FGYCR/FS/FSL/HS/HSL, C_2S-FGE/FGY/FS/HS, C_3S-FGY/FGYCL/FGYCR/FS/HS												
Index No.	Description	Material or Model Number	Part Number	Required Number								
				E-5 to E-7	E-8 to F-8							
1	Shelf Kit (3 Pack) (includes items 2 and 3)	<b>C_1S-xxx, C_3S-xxx (One Section)</b> HS-5053	3A6902A01	1	1							
	Shelf Kit (3 Pack) (one kit includes half of items 2 and 3)	<b>C_2S-xxx, C_3S-xxx (Two Section)</b> HS-5048	3A6874A01	2	2							
2	Shelf	<b>C_1S-xxx, C_3S-xxx (One Section)</b> HS-5052	3A6876-03	3	3							
		<b>C_2S-xxx, C_3S-xxx (Two Section)</b> HS-5047	3A6876-01	6	6							
3	Shelf Clip	<b>C_1S-xxx, C_3S-xxx (One Section)</b>	428957-01	12	12							
		<b>C_2S-xxx, C_3S-xxx (Two Section)</b>		24	24							
4	Commercial Label	<b>CR_S-xxx</b>	3A7757-01	1	1							
		<b>CF_S-xxx</b>	3A7757-02	1	1							
5	Penguin Label		456246-02	1	1							
<b>Plated Caster</b>												
6	4-Inch Non-Locking Plated Caster	<b>C_1S-xxx, C_2S-xxx</b>	4A4275-02	2	-							
		<b>C_3S-xxx</b>		3	-							
6a	Hex Head Tapping Bolt	<b>C_1S-xxx, C_2S-xxx</b>	4A5213-01	8	-							
		<b>C_3S-xxx</b>		12	-							
7	4-Inch Locking Plated Caster	<b>C_1S-xxx, C_2S-xxx</b>	4A4275-01	2	-							
		<b>C_3S-xxx</b>		3	-							
7a	Hex Head Tapping Bolt	<b>C_1S-xxx, C_2S-xxx</b>	4A5213-01	8	-							
		<b>C_3S-xxx</b>		12	-							
8	Plated Caster Shim Kit (includes 6 of item 9)		HS-3724	1	-							
9	Plated Caster Shim		4A5208-01	6	-							

Title: F. Accessories & Labels    Model: C_1S-FGE/FGY/FGYCL/FGYCR/FS/FSL/HS/HSL, C_2S-FGE/FGY/FS/HS, C_3S-FGY/FGYCL/FGYCR/FS/HS											
Index No.	Description	Material or Model Number	Part Number	Required Number							
				E-5 to E-7	E-8 to F-8						
<b>Stem Caster</b>											
10	4-inch Stem Caster Kit (includes 2 each of items 11 and 12)	C_1S-xxx, C_2S-xxx	HS-3546		1						
	4-inch Stem Caster Kit (includes 3 each of items 11 and 12)	C_3S-xxx	HS-3547		1						
11	4-inch Non-Locking Stem Caster	C_1S-xxx C_2S-xxx	4A1347-01		2						
		C_3S-xxx			3						
12	4-inch Locking Stem Caster	C_1S-xxx C_2S-xxx	4A1347-02		2						
		C_3S-xxx			3						
13	Stem Caster Shim Kit (includes 6 of item 14)		HS-3590		1						
14	Stem Caster Shim		4A3658-01		6						