



HOSHIZAKI

Instruction Manual

Ice Dispenser

Models

DB-I30H

DB-200H



hoshizakiamerica.com

Issued: 4-18-2016

⚠ WARNING

Only qualified service technicians should install and service the appliance. To obtain the name and phone number of your local Hoshizaki Certified Service Representative, visit www.hoshizaki.com. No installation or service should be undertaken until the technician has thoroughly read this Instruction Manual. Likewise, the owner/manager should not proceed to operate the appliance until the installer has instructed them on its proper operation. Failure to install, operate, and maintain the appliance in accordance with this manual will adversely affect safety, performance, component life, and warranty coverage and may result in costly water damage. Proper installation is the responsibility of the installer. Product failure or property damage due to improper installation is not covered under warranty.

Hoshizaki provides this manual primarily to assist qualified service technicians in the installation, maintenance, and service of the appliance.

Should the reader have any questions or concerns which have not been satisfactorily addressed, please call, send an e-mail message, or write to the Hoshizaki Technical Support Department for assistance.

Phone: 1-800-233-1940; (770) 487-2331

Fax: 1-800-843-1056; (770) 487-3360

E-mail: techsupport@hoshizaki.com

HOSHIZAKI AMERICA, INC.

618 Highway 74 South

Peachtree City, GA 30269

Attn: Hoshizaki Technical Support Department

NOTE: To expedite assistance, all correspondence/communication **MUST** include the following information:

- Model Number _____
- Serial Number _____
- Complete and detailed explanation of the problem.

IMPORTANT

Read this manual carefully before installing and operating the appliance. Observe the warnings and guidelines contained in this manual, as they provide essential information for the continued safe use and maintenance of the appliance. Retain this manual for future reference.

CONTENTS

Important Safety Information 4

I. Specifications..... 6

 A. Electrical Data 6

 B. Dimensions/Connections 7

 1. DB-130H 7

 2. DB-200H..... 8

II. Installation and Operating Instructions 9

 A. Location 9

 B. Checks Before Installation..... 10

 C. How to Remove Panels 10

 D. Setup..... 11

 E. Electrical Connection 12

 F. Drain Connection 13

 G. Final Checklist 14

 H. Startup 15

III. Maintenance 16

 A. Maintenance Schedule..... 16

 B. Cleaning and Sanitizing Instructions 17

IV. Preparing the Ice Dispenser for Periods of Non-Use 19

Important Safety Information

Throughout this manual, notices appear to highlight attention to situations that can result in death, serious injury, and damage to the appliance or property.

⚠ WARNING Indicates a hazardous situation that can result in death or serious injury.

NOTICE Indicates a situation that can result in damage to the appliance or property.

IMPORTANT Indicates important information regarding the installation, use, and care of the appliance.

⚠ WARNING

Use the appliance only in the capacity for which it has been expressly conceived. Any other use is improper and therefore dangerous. The manufacturer cannot be held responsible for injury or damage resulting from improper, incorrect and unreasonable use. Failure to install, operate and maintain the appliance in accordance with this manual will adversely affect safety, performance, component life and warranty coverage, and may result in costly water damage.

To reduce the risk of death, electric shock, serious injury, or fire, follow basic precautions including the following:

- Allow only qualified service technicians to install and service the appliance.
- Install the appliance in accordance with applicable national, state, and local codes and regulation requirements.
- Electrical connection must be hard-wired and must meet national, state, and local electrical code regulation requirements. Failure to meet these code requirements can result in death, electric shock, serious injury, fire, or damage.
- The ice dispenser requires an independent power supply of proper capacity. See the nameplate for electrical specifications. Failure to provide an independent power supply of proper capacity can result in a tripped breaker, blown fuse, damage to existing wiring, or component failure, resulting in heat generation or fire.
- **THE ICE DISPENSER MUST BE GROUNDED.** Failure to properly ground the appliance can result in death or serious injury.
- Turn off the power supply before servicing. Lockout/Tagout to prevent the power supply from being turned back on inadvertently.
- Do not make any alterations to the appliance. Alterations can result in electric shock, serious injury, fire or damage.
- The appliance is not intended for use by persons (including children) with reduced physical, sensory or mental capabilities, or lack of experience and knowledge, unless a person responsible for their safety has provided supervision and instruction concerning use of the appliance.
- Children should be properly supervised around the appliance.
- Do not climb, stand or hang on the appliance, or allow children or animals to do so. Serious injury or damage to the appliance can result.

⚠ WARNING, continued

- Do not use combustible spray or place volatile or flammable substances near the appliance. Explosion, fire or damage to the appliance can result.
- Keep the area around the appliance clean. Dirt, dust, or insects in the appliance can cause harm to individuals or damage to the appliance.

NOTICE

- Follow the drain connection and maintenance instructions carefully to reduce the risk of costly water damage.
- In areas where water damage is a concern, install the appliance in a contained area with a floor drain.
- Install the ice dispenser in a location where ambient temperature stays above freezing. Normal operating ambient temperature must be between 45°F to 100°F (7°C to 38°C).
- Do not leave the ice dispenser on during extended periods of non-use, extended absence, or in sub-freezing temperatures. To properly prepare the ice dispenser for these occasions, follow the instructions in "IV. Preparing the Ice Dispenser for Periods of Non-Use."
- The ice dispenser is for ice use only. Do not store anything else in the ice dispenser.

I. Specifications

A. Electrical Data

The nameplate provides electrical data. The nameplate is located on the rear panel. For certification marks, see the nameplate.

We reserve the right to make changes in specifications and design without prior notice.

Model Number	DB-130H	DB-200H
AC Supply Voltage	115/60/1	115/60/1
Amperes	1.4 AMPS	1.4 AMPS
Maximum Fuse Size	15 AMPS	15 AMPS
Max. HACR Breaker (USA Only)	15 AMPS	15 AMPS
Max. Circuit Breaker (Canada Only)	15 AMPS	15 AMPS
Minimum Circuit Ampacity	15 AMPS	15 AMPS

B. Dimensions/Connections

1. DB-130H

DB-130H	
A	1346 (53)
B	73 (2-7/8)
C	589 (23-1/4)
D	684 (26-7/8)
E	48 (1-7/8)
F	457 (18)
G	558 (22)
H	155 (6-1/8)
I	13 (1/2)
J	395 (15-1/2)
K	61 (2-3/8)
L	1260 (49-5/8)

Units: mm (in.)

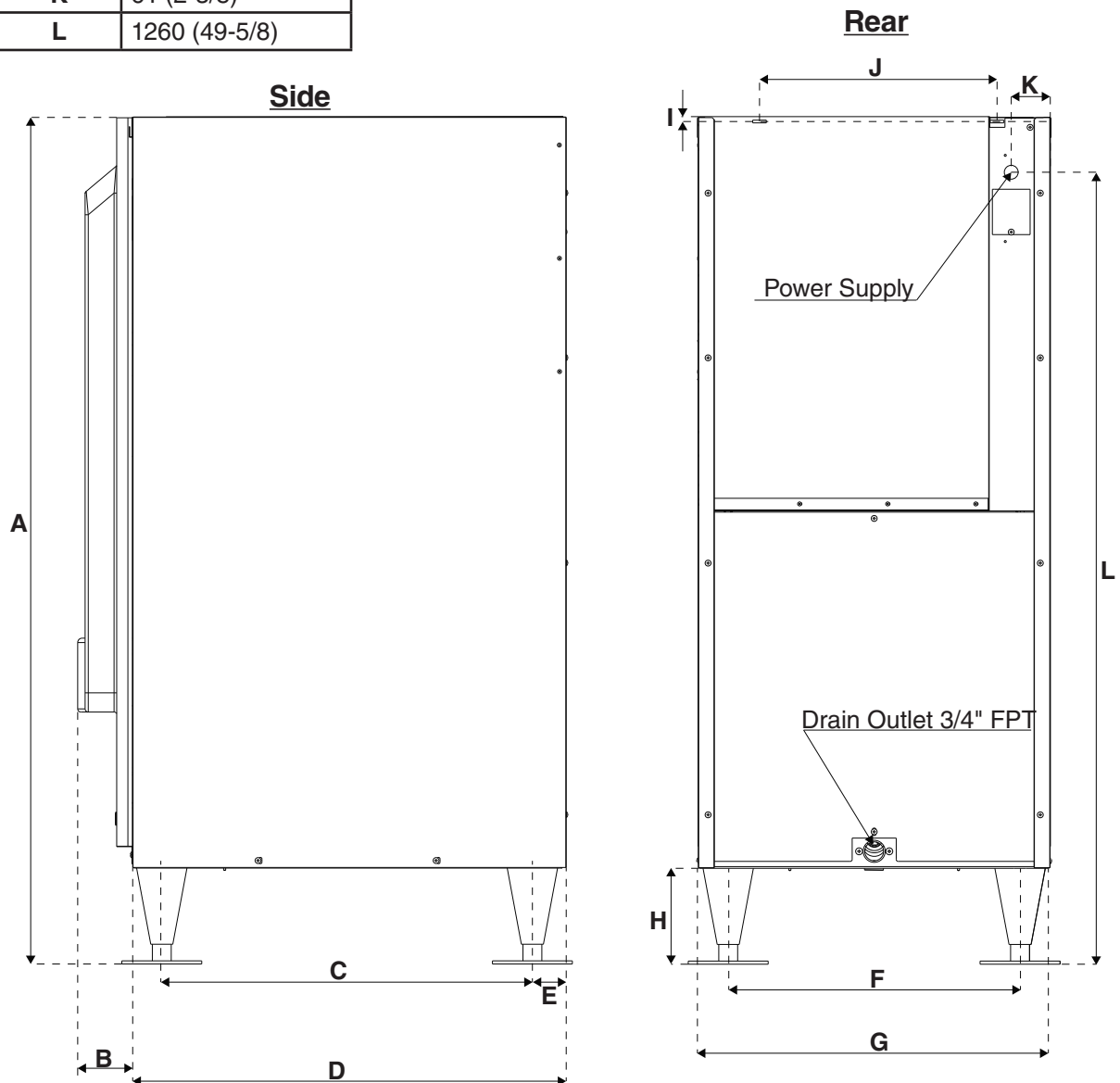


Fig. 1

2. DB-200H

DB-200H	
A	1346 (53)
B	73 (2-7/8)
C	589 (23-1/4)
D	684 (26-7/8)
E	48 (1-7/8)
F	666 (26-1/4)
G	762 (30)
H	152 (6)
I	13 (1/2)
J	395 (15-1/2)
K	61 (2-3/8)
L	1260 (49-5/8)

Units: mm (in.)

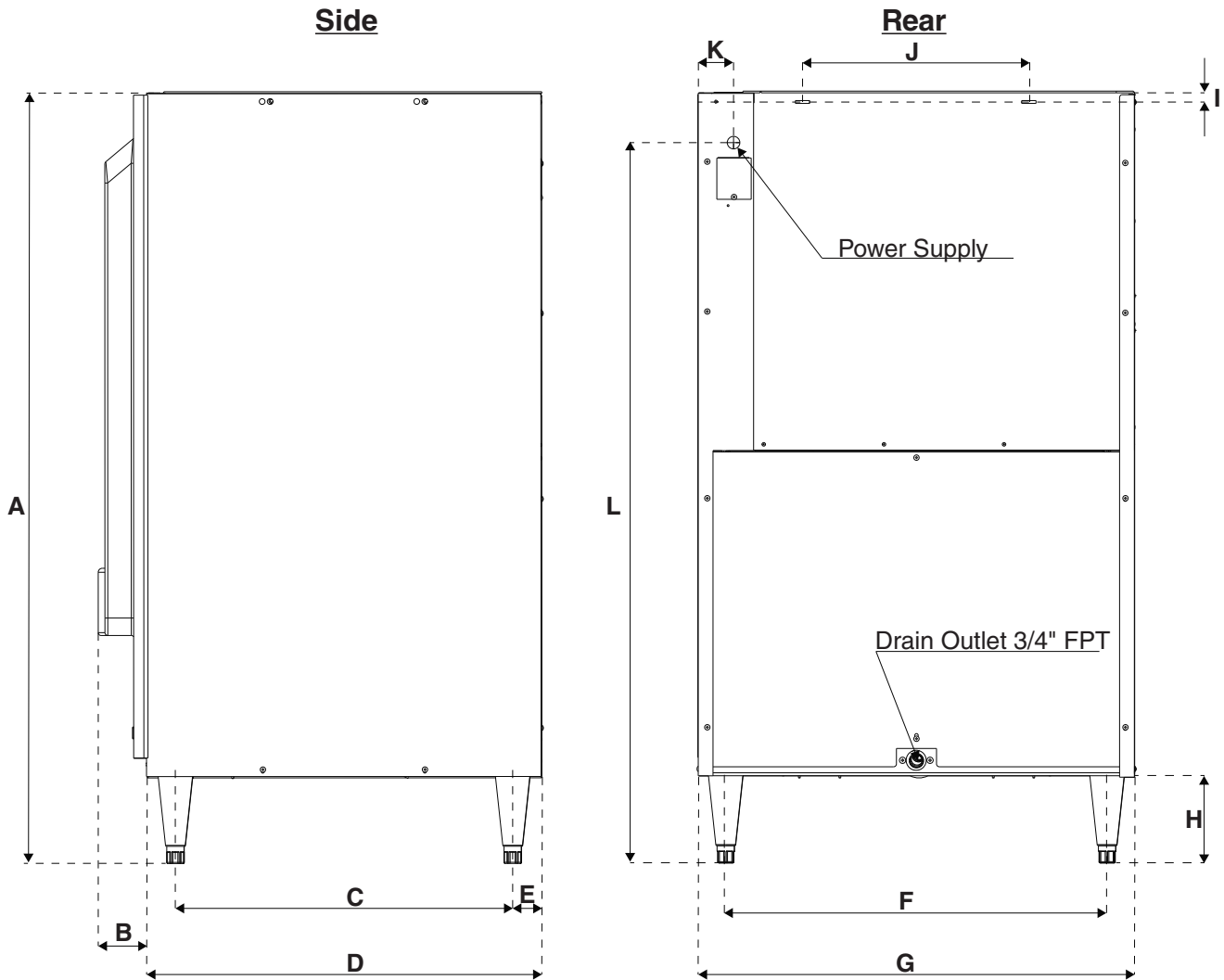


Fig. 2

II. Installation and Operating Instructions

WARNING

- The ice dispenser must be installed in accordance with applicable national, state, and local codes and regulations.
- Failure to install, operate, and maintain the ice dispenser in accordance with this manual will adversely affect safety, performance, component life, and warranty coverage and may result in costly water damage.
- **CHOKING HAZARD:** Ensure that all components, fasteners, and thumbscrews are securely in place after installation. Verify that none have fallen into the ice dispenser.

A. Location

NOTICE

The ice dispenser is not intended for outdoor use. Normal operating ambient temperature must be between 45°F to 100°F (7°C to 38°C). Operation of the ice dispenser for extended periods outside of these temperature ranges may affect ice dispenser performance.

- The ice dispenser should not be located next to ovens, grills, or other high heat producing equipment.
- Allow 6" (15 cm) clearance at rear, sides, and top for proper air circulation and ease of maintenance and/or service should they be required. Ensure that the icemaker's clearance requirements are met. Note that the ice dispenser is serviced from the left side of the DB-130H and from the right side of the DB-200H.
- The location should provide a firm and level foundation for the equipment.

B. Checks Before Installation

NOTICE

The DB-130H ice dispenser is designed for use with 22" and the DB-200H ice dispenser for use with 22" or 30" Hoshizaki modular crescent cube icemakers. The use of this ice dispenser in combination with any other icemaker cannot be recommended.

- Visually inspect the exterior of the shipping container and immediately report any damage to the carrier. Upon opening the container, any concealed damage should also be immediately reported to the carrier.
- Remove the shipping carton, tape, and packing material. If any are left in the ice dispenser, it will not work properly.
- See the nameplate on the rear panel, and check that your voltage supplied corresponds with the voltage specified on the nameplate.
- Remove the front panel to prevent damage when installing the ice dispenser. See "II.C. How to Remove Panels."
- Remove the package containing the accessories.
- Remove the protective plastic film from the panels. If the ice dispenser is exposed to the sun or to heat, remove the film after the ice dispenser cools.

C. How to Remove Panels

- Front Panel: Remove the screws. Lift up and towards you. See Fig. 3.
- Side Panels: Remove the screws. Lift off.

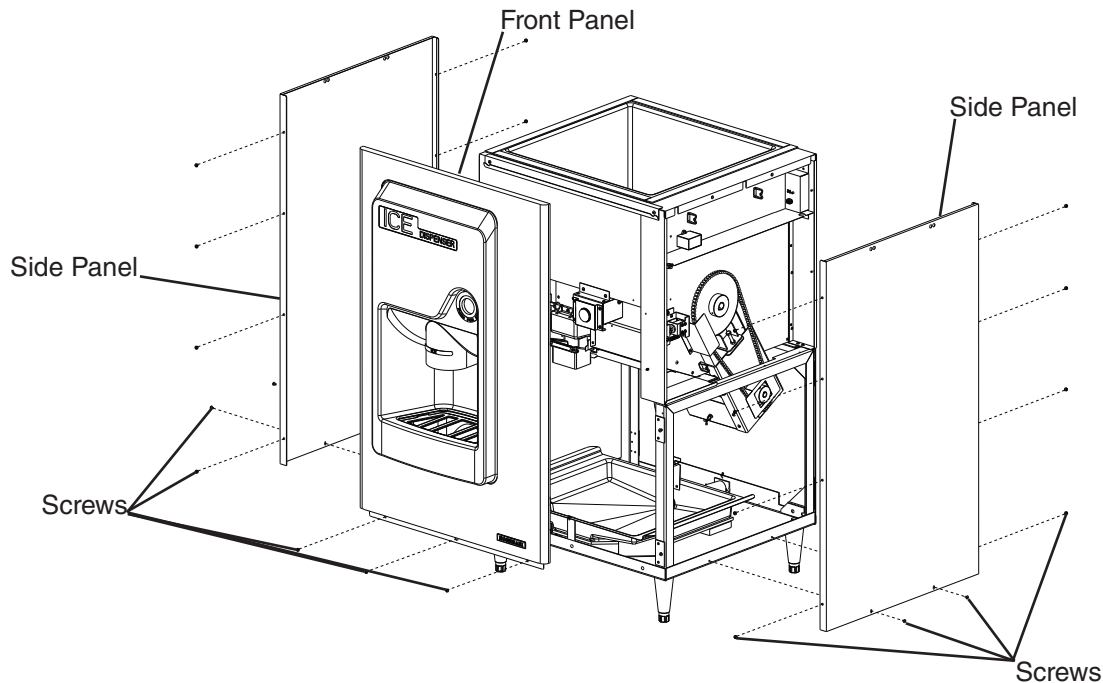


Fig. 3
Model shown: DB-200H

D. Setup

⚠ WARNING

The installer must ensure the icemaker is compatible with the ice dispenser, and the ice dispenser and icemaker are properly attached and secured.

- 1) Attach the 4 adjustable legs to the bottom of the ice dispenser. See Figs. 4 and 5.
- 2) Position the ice dispenser in its permanent location. Clean and wipe the interior with a clean cloth.
- 3) Adjust the dispenser legs to level the ice dispenser in both the left-to-right and front-to-rear directions.
- 4) If required, install an adapter kit or top kit. Contact your local Hoshizaki distributor for recommendations. **NOTICE! Use care to avoid damage to ice dispenser unit components when attaching kits.**
- 5) Place the icemaker on top of the ice dispenser, then secure the icemaker to the ice dispenser using the 2 universal braces and hex head bolts included with the icemaker. Rotate the mounting brackets so that they fit flush to the dispenser unit. See Fig. 6.
- 6) Follow the setup instructions in the icemaker instruction manual to complete icemaker installation. Replace panels.

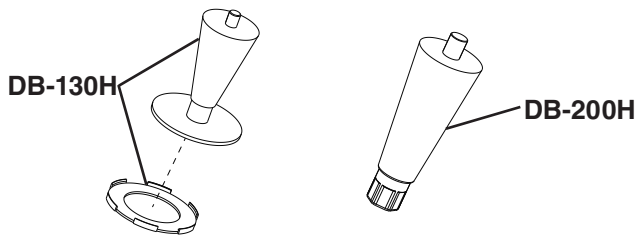


Fig. 4

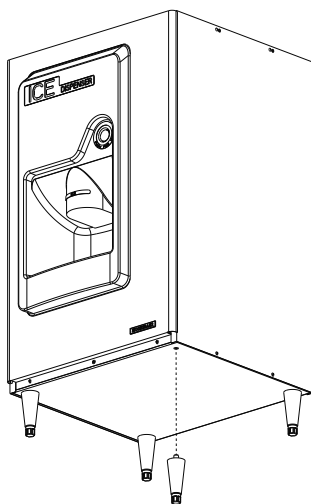


Fig. 5

Model shown: DB-200H

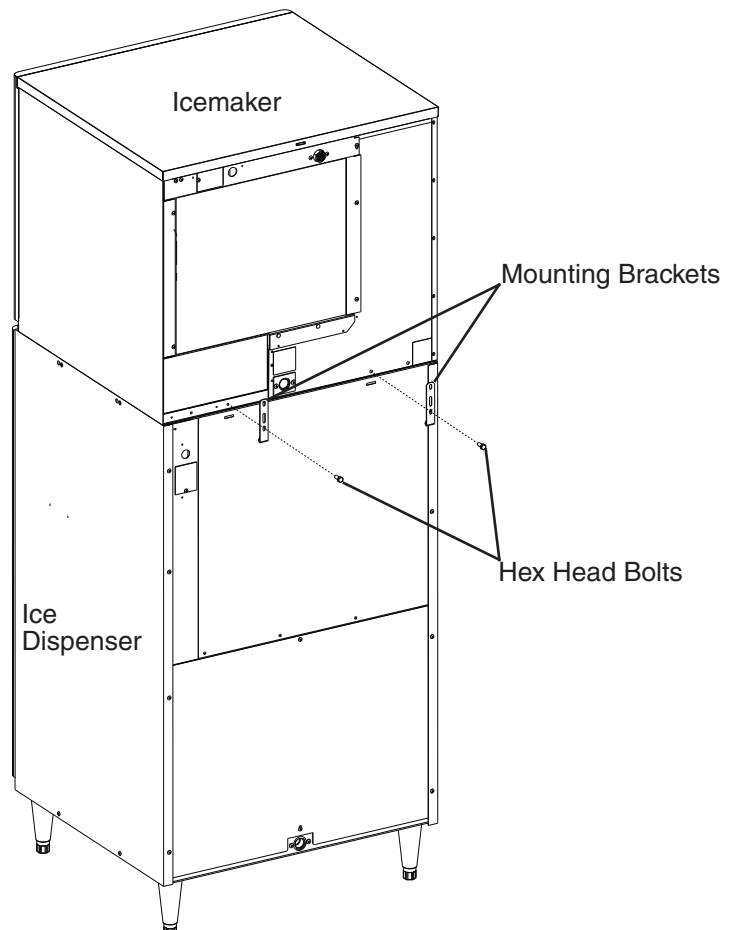


Fig. 6

Models shown: DB-200H with KML-631MAH Icemaker

E. Electrical Connection

⚠ WARNING

- Electrical connection must be hard-wired and must meet national, state, and local electrical code requirements. Failure to meet these code requirements could result in death, electric shock, serious injury, fire, or damage.
- The ice dispenser requires an independent power supply of proper capacity. See the nameplate for electrical specifications. Failure to use an independent power supply of proper capacity can result in a tripped breaker, blown fuse, damage to existing wiring, or component failure. This could lead to heat generation or fire.
- **THE ICE DISPENSER MUST BE GROUNDED.** Failure to properly ground the ice dispenser could result in death or serious injury.
- Electrical connection must be made in accordance with the instructions on the "WARNING" tag, provided with the pig tail leads in the junction box of the DB-130H/DB-200H. See Fig. 7.

NOTE: An electrical permit and the services of a licensed electrician may be required in some areas.

- The maximum allowable voltage variation is $\pm 10\%$ of the nameplate rating.
- The white lead must be connected to the neutral conductor of the power source.
- The opening for the power supply connection is 7/8" DIA to fit a 1/2" trade size conduit.

**DB-130H
DB-200H**

⚠ WARNING ELECTRICAL CONNECTION

THIS UNIT MUST BE GROUNDED
Failure to properly ground or wire this unit could result in death, serious injury, or severe damage to the icemaker. The white lead must be connected to the neutral conductor of the power source. See diagram below.

115-120/60/1

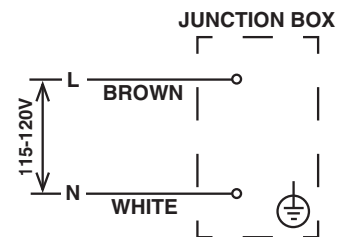


Fig. 7

F. Drain Connection

⚠ WARNING

Drain connections must be installed in accordance with applicable national, state, and local regulations.

Ice Dispenser Drain Outlet	Minimum Ice Dispenser Drain Line Size
3/4" Female Pipe Thread (FPT)	3/4" Nominal ID Hard Pipe or Equivalent

- A plumbing permit and the services of a licensed plumber may be required in some areas.
- The ice dispenser drain line must be run separately from the icemaker drain line and the water-cooled condenser drain line (if applicable).
- Drain lines must have 1/4" fall per foot (2 cm per 1 m) on horizontal runs to get a good flow. A vented tee connection is also required for proper flow. See Fig. 8.
- Drain lines should not be piped directly to the sewer system. An air gap of a minimum of 2 vertical inches (5 cm) should be between the end of the drain pipe from the ice dispenser and the floor drain.
- Be sure there is sufficient extra drain line for the appliance to be pulled out for service.

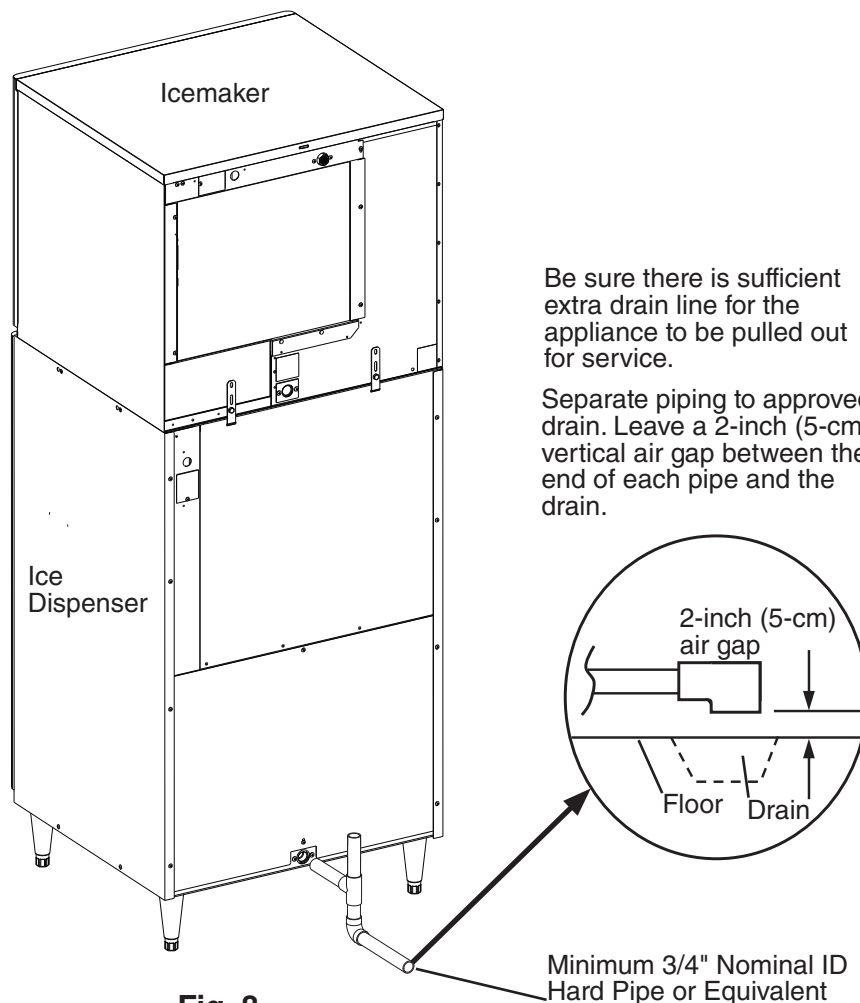


Fig. 8

Models shown: DB-200H with KML-631MAH Icemaker

G. Final Checklist

⚠ WARNING

CHOKING HAZARD: Ensure that all components, fasteners, and thumbscrews are securely in place after installation. Verify that nothing has fallen into the ice dispenser bin.
--

- 1) Is the appliance level?
- 2) Is the appliance in a site where the ambient temperature is within 45°F to 100°F (7°C to 38°C) all year around?
- 3) Is there at least 6" (15 cm) clearance at rear and sides of the appliance?
- 4) Have the shipping carton, tape, and packing material been removed from the appliance?
- 5) Have all electrical and drain connections been made? Do electrical and drain connections meet applicable national, state, and local code and regulation requirements?
- 6) Has the power supply voltage been checked or tested against the nameplate rating?
Has a proper ground been installed to the appliance?
- 7) Is the drain line sized as specified?
- 8) Has the appliance been cleaned and wiped with a clean cloth?
- 9) Are all components, fasteners, and thumbscrews securely in place?
- 10) Has the end user been given the instruction manual, and instructed on how to operate the appliance and the importance of the recommended periodic maintenance?
- 11) Has the end user been given the contact information of an authorized service agent?
- 12) Has the warranty card been filled out and forwarded to the factory for warranty registration?

H. Startup

⚠ WARNING

All parts are factory-adjusted. Improper adjustments will adversely affect safety, performance, component life, and warranty coverage.

- 1) After installing the icemaker per the instructions provided with the icemaker, start up the icemaker and allow at least three batches of ice production.
- 2) Place a container under the spout, then press the ice dispense button. See Fig. 9. Confirm that ice is dispensing properly.
- 3) Test the safety switch as follows: While pressing and holding the ice dispense button, pull the spout towards you. Confirm that the ice dispenser stops.

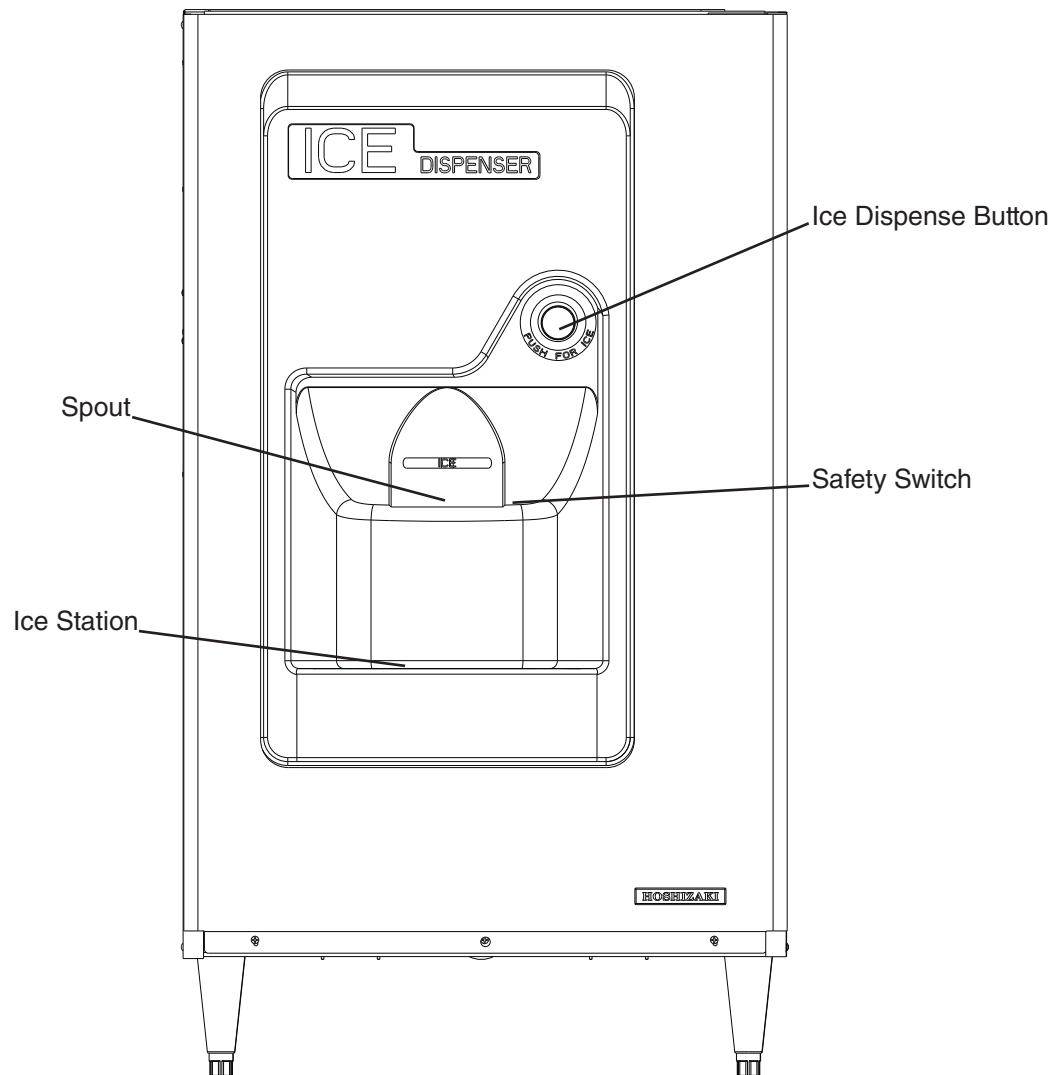


Fig. 9
Model shown: DB-200H

III. Maintenance

The appliance must be maintained in accordance with the instruction manual and labels provided. Consult with your local Hoshizaki Certified Service Representative about maintenance service.

WARNING

- Only qualified service technicians should service the appliance.
- Turn off the power supply before servicing.
- **CHOKING HAZARD:** Ensure that all components, fasteners, and thumbscrews are securely in place after any maintenance is done to the appliance. Verify that none have fallen into the ice dispenser.

A. Maintenance Schedule

The maintenance schedule below is a guideline. More frequent maintenance may be required depending on water quality, the appliance's environment, and local sanitation regulations.

Maintenance Schedule		
Frequency	Area	Task
Monthly	Appliance Exterior	Wipe down with a clean, soft cloth. Use a damp cloth containing a neutral cleaner to wipe off oil or dirt build up. Clean any chlorine staining (rust colored spots) using a non-abrasive cleanser.
Yearly	Ice Dispenser	Clean and sanitize per the instructions provided in this manual. See "III. B. Cleaning and Sanitizing Instructions."
	Mechanism Assembly	Inspect and oil the chain (2 or 3 drops) annually. Adjust as necessary for 3/8" (10 mm) to 1/2" (13 mm) free play.

B. Cleaning and Sanitizing Instructions

The ice dispenser must be cleaned and sanitized at least once a year. More frequent cleaning and sanitizing may be required in some water conditions. For icemaker cleaning and sanitizing instructions, see the icemaker instruction manual.

WARNING

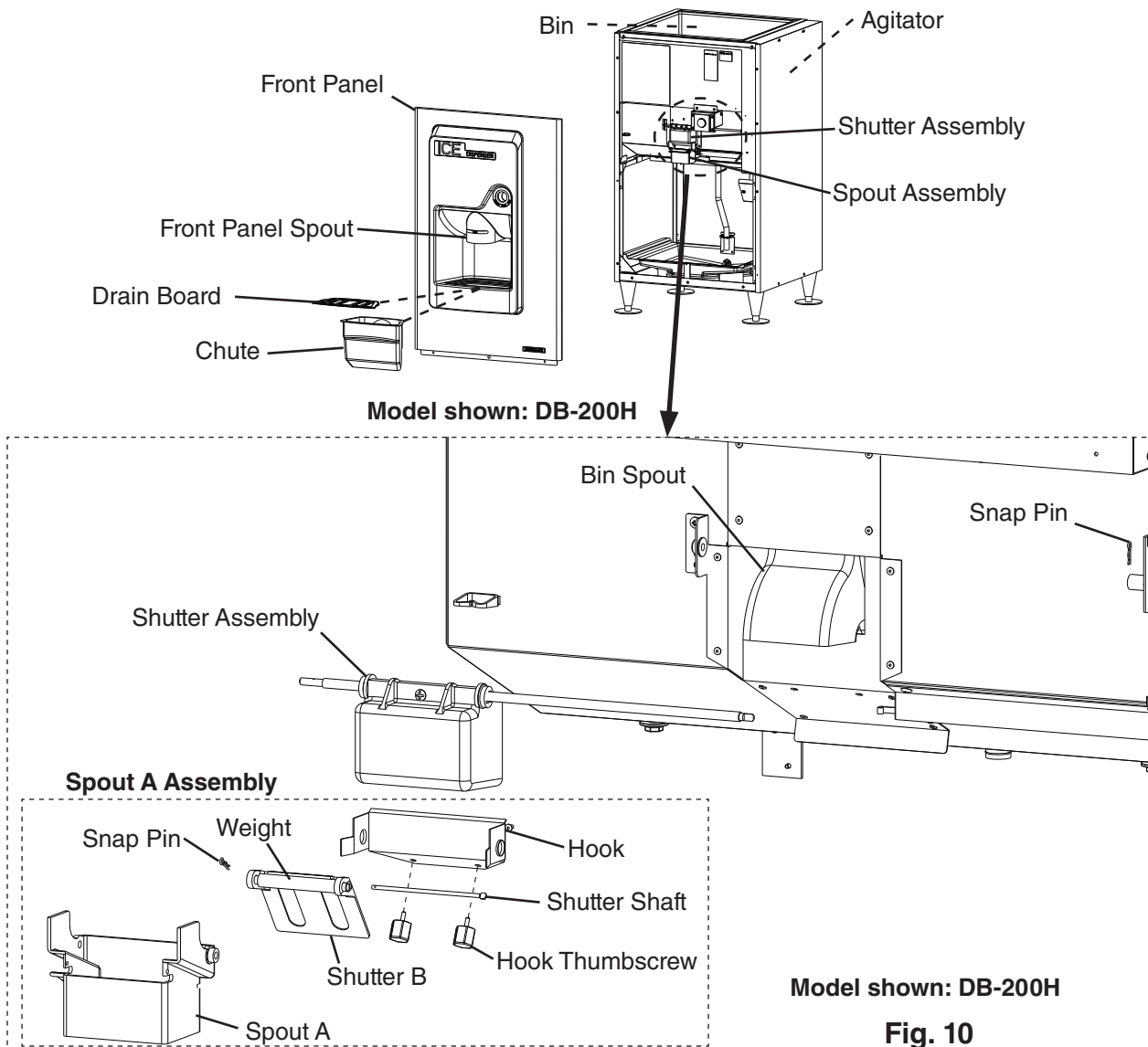
- To prevent injury to individuals and damage to the ice dispenser, do not use ammonia type cleaners.
- Carefully follow any instructions provided with the bottles of cleaning and sanitizing solution.
- Always wear liquid-proof gloves and goggles to prevent the cleaning and sanitizing solutions from coming into contact with skin or eyes.
- Do not leave the ice dispenser unattended when panels are off.

1. Cleaning Procedure

- 1) Turn off the power supply to the icemaker.
- 2) Place a container under the ice dispenser spout and dispense all ice from the ice dispenser.
- 3) Turn off the power supply to the ice dispenser.
- 4) Clean and sanitize the icemaker. Reference the "Cleaning and Sanitizing" procedure in the icemaker instruction manual or the maintenance label on the icemaker. When finished, leave the power supply to the icemaker off until completing the ice dispenser cleaning and sanitizing procedures.
- 5) Remove or reposition the icemaker to access the inside of the ice dispenser bin. Be sure that the icemaker is secured and cannot fall.
- 6) Dilute 5 oz. (150 ml) of Hoshizaki "Scale Away" with 1.0 gal. (3.8 l) of warm water. This is a minimum amount. Make more solution if necessary. **IMPORTANT! For safety and maximum effectiveness, use the solution immediately after dilution.**
- 7) Remove the ice dispenser front panel, then remove the drain board and lift out the chute. See Fig. 10.
- 8) Scrub the agitator, bin spout, inside of the bin, front panel spout, drain board, and chute using a nylon scouring pad and brushes with cleaning solution. Rinse all parts thoroughly with clean water.
- 9) Remove the shutter assembly snap pin, then slide the shutter assembly to the right on DB-130H or to the left on DB-200H, and remove.
- 10) Pull out on the sides of the hook and remove the spout A assembly. Remove and hook.
- 11) Remove the snap pin from shutter B, then remove the shutter shaft, shutter B, and weight from spout A.
- 12) Scrub the components removed in steps 9, 10, and 11 with cleaning solution. In severe conditions, immerse the components in cleaning solution for 15 min. before scrubbing.
- 13) Rinse all parts thoroughly with clean water.

2. Sanitizing Procedure

- 1) Dilute 0.5 oz. (15 ml) of a 5.25% sodium hypochlorite solution (chlorine bleach) with 1.0 gal. (3.8 l) of warm water. This is a minimum amount. Make more solution if necessary. **IMPORTANT! For safety and maximum effectiveness, use the solution immediately after dilution.**
- 2) Wipe the agitator, bin spout, inside of the bin, front panel spout, drain board and chute with sanitizing solution.
- 3) Rinse the parts thoroughly with clean water.
- 4) Wipe the components removed in steps 9, 10, and 11, of Cleaning Procedure. with sanitizing solution. In severe conditions, immerse the components in sanitizing solution for 15 min. before wiping.
- 5) Replace all components in their correct positions.
- 6) Reposition and secure the icemaker.
- 7) Turn the power supply on to the ice dispenser/icemaker, and verify proper operation.



IV. Preparing the Ice Dispenser for Periods of Non-Use

During extended periods of non-use, extended absences, or in sub-freezing temperatures, follow the instructions below. When the appliance is not used for two or three days under normal conditions, it is sufficient to move the icemaker and ice dispenser power switch's to the "OFF" positions.

⚠ WARNING

Only qualified service technicians should service the appliance.
--

NOTICE

During extended periods of non-use, extended absences, or in sub-freezing temperatures, follow the instructions below to reduce the risk of costly water damage.
--

- 1) Shut off the icemaker. See the icemaker instruction manual.
- 2) Dispense all ice from the ice dispenser bin, then turn off the ice dispenser power supply.
- 3) Reposition the icemaker to access the inside of the ice dispenser bin. Be sure that the icemaker is secured and cannot fall.
- 4) Dry the storage bin using a clean cloth.
- 5) Reposition and secure the icemaker.

HOSHIZAKI AMERICA, INC.

618 Hwy. 74 South, Peachtree City, GA 30269 USA (P) 770.487.2331 (F) 770.487.3360 hoshizakiamerica.com 1A4155-010