

NO.	A5BA-A001
ISSUED:	FEB.10, 1995
REVISED:	MAY 25, 1997

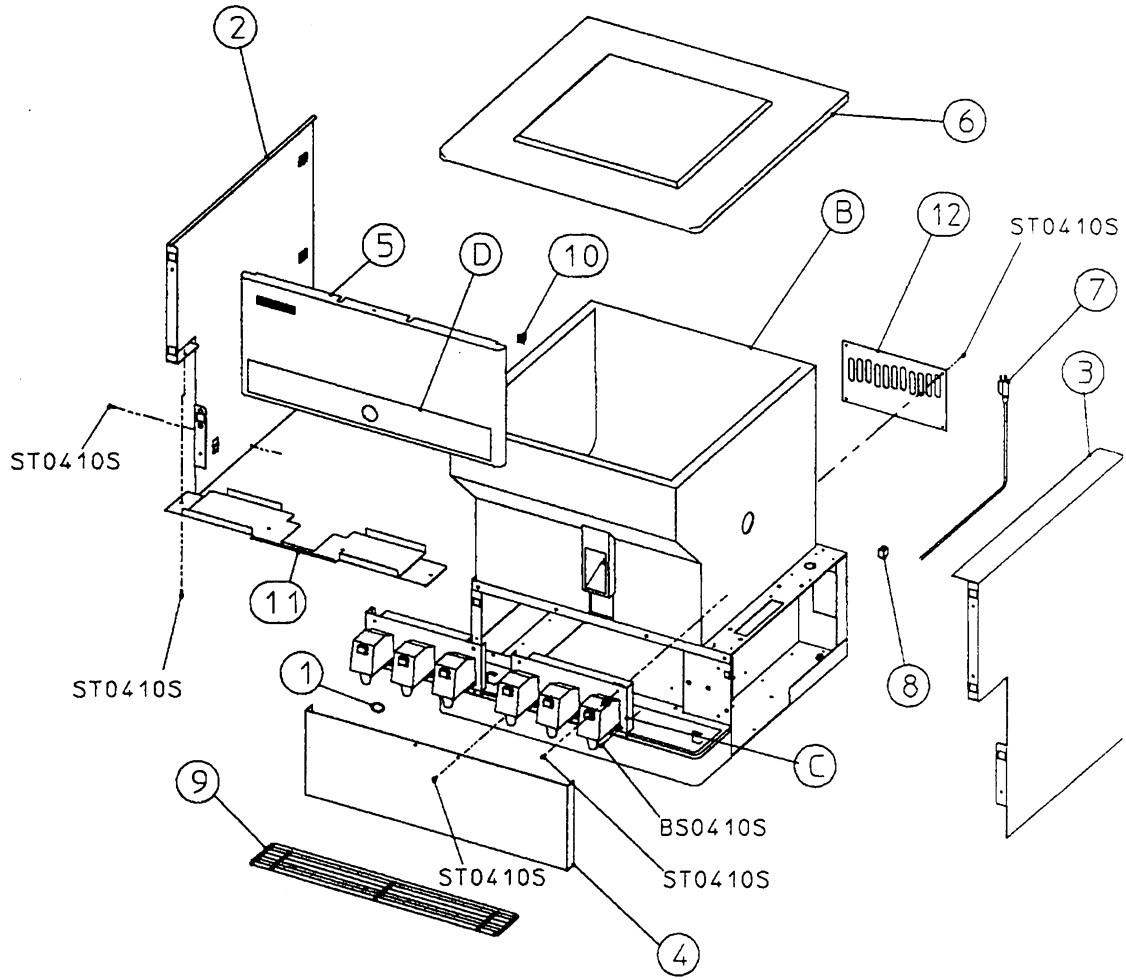


# **HOSHIZAKI ICE/BEVERAGE DISPENSER**

**MODEL DM-180A6  
DM-180A8**

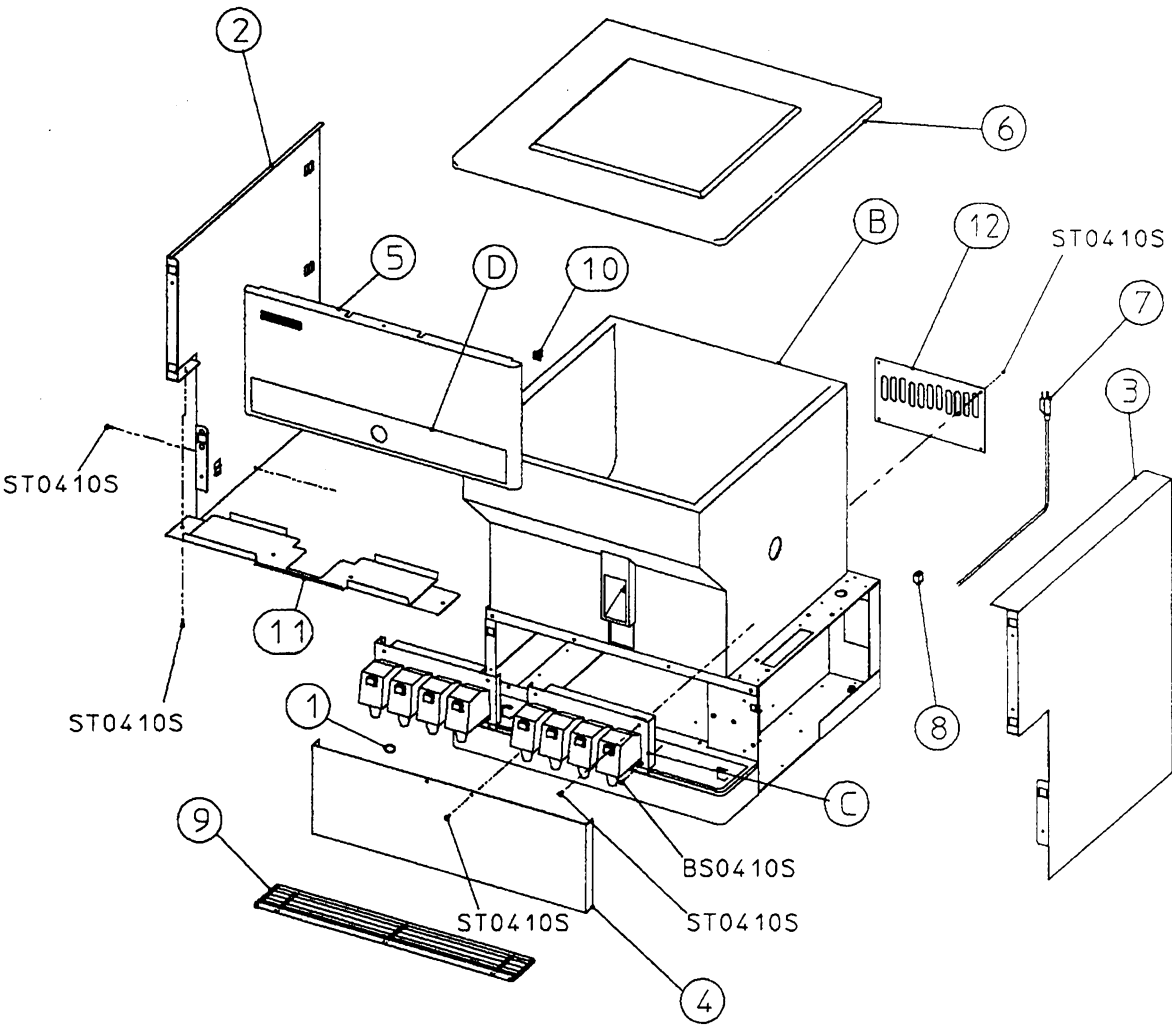
## **PARTS LIST**

D-1 MAY 1994  
E-0 NOV. 1994  
E-1 AUG. 1995

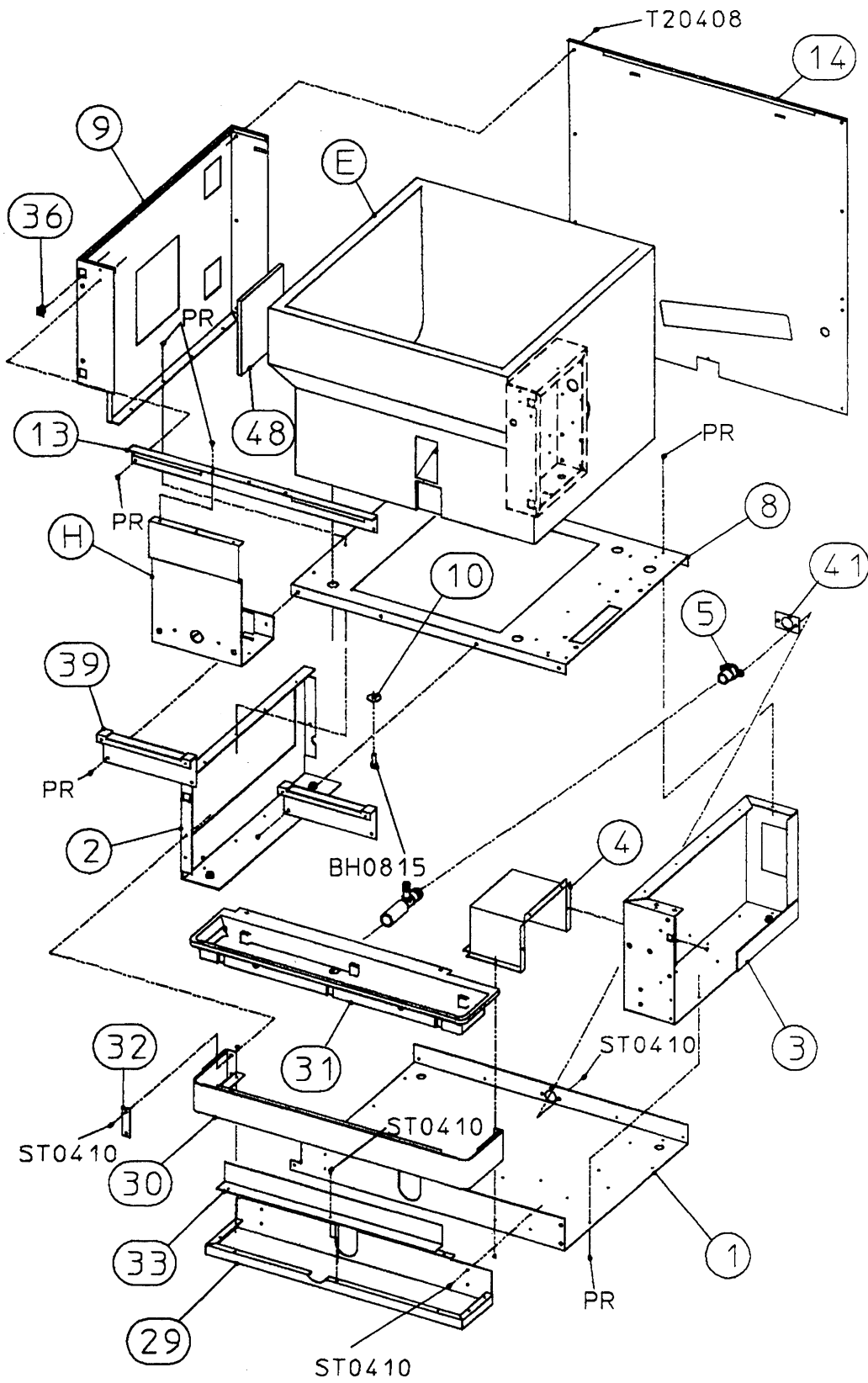


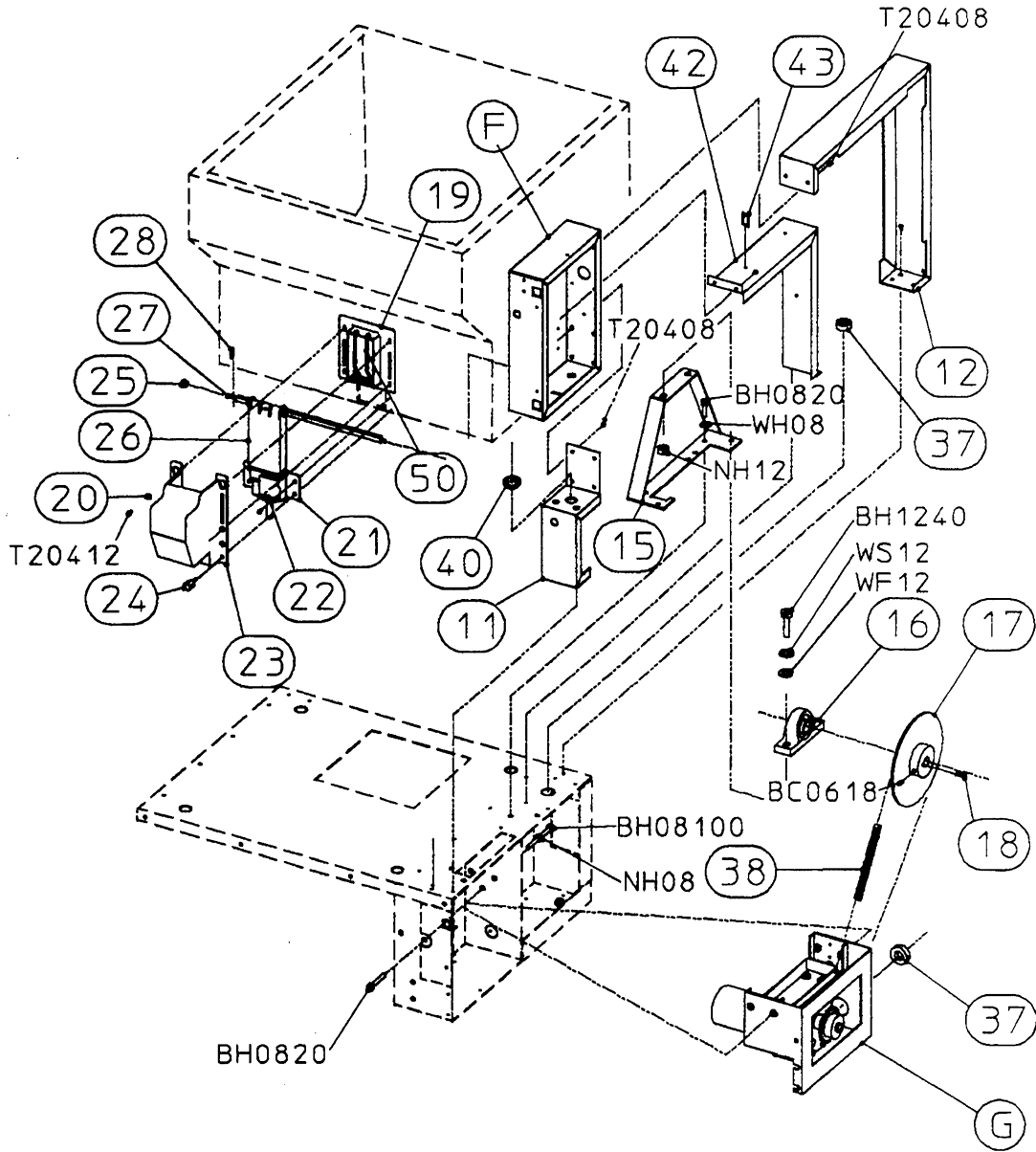
**MODEL: DM-180A6 TITLE: A. DISPENSER ASSEMBLY**

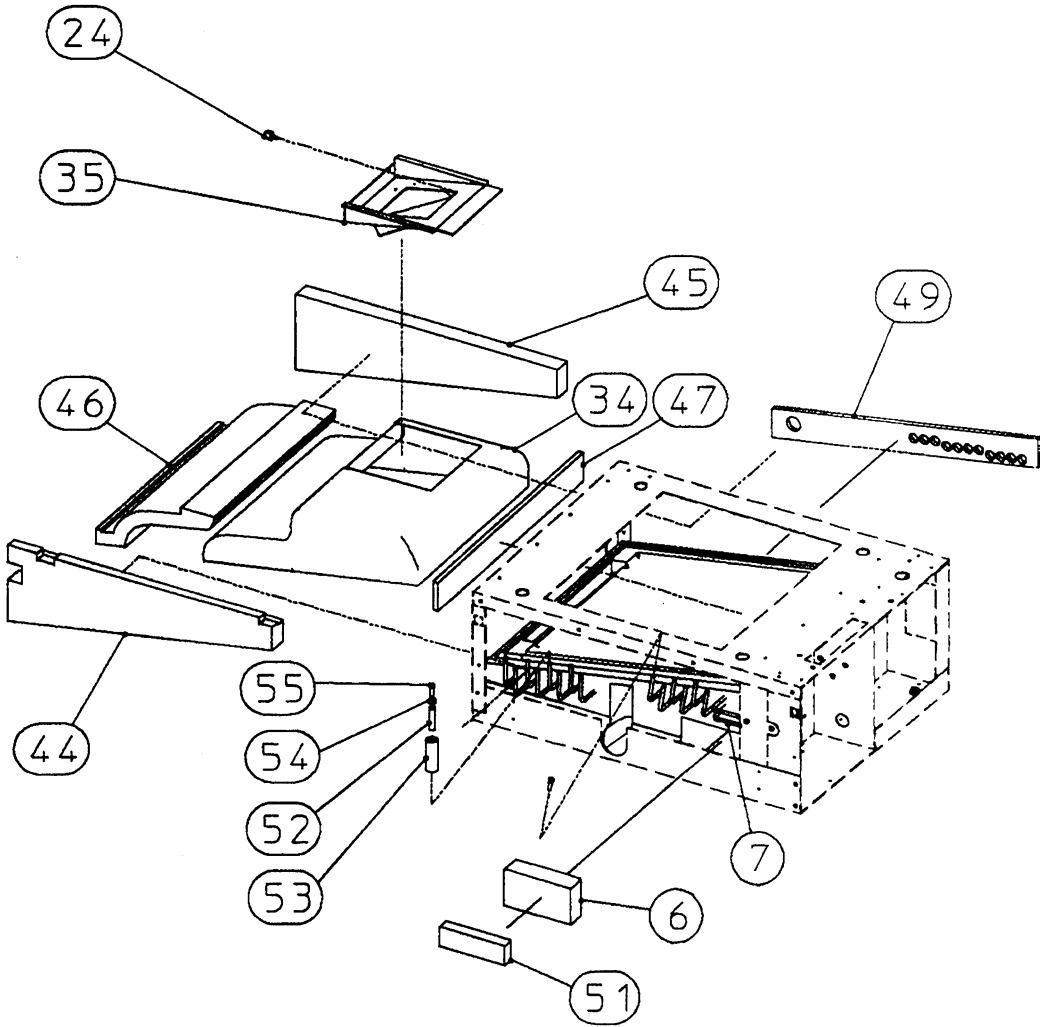
INDEX NO.	DESCRIPTION	MATERIAL OR MODEL NUMBER	PART NUMBER	REQUIRED NUMBER						
				D-1 E-0	E-1					
B	MECHANISM ASSEMBLY	-	1A0091A02	1	-					
		-	1A0126A02		1					
C	BEVERAGE HEAD ASSEMBLY	-	2A0295A02	1	-					
		-	2A0558A02		1					
D	LABEL LOCATION	-	3A0315A02	1	1					
1	BEVERAGE TUBING CLAMP	12.0	4A0533-02	12	12					
2	SIDE PANEL (L)	SS	2A0283G01	1	-					
		SS	2A0550G01		1					
3	SIDE PANEL (R)	SS	2A0284G01	1	-					
		SS	2A0549G01		1					
4	SPLASH PANEL ASSEMBLY	SS	2A0290G01	1	1					
5	FRONT PANEL ASSEMBLY	SS	2A0291G01	1	-					
		SS	2A0559A01		1					
6	MANUAL FILL COVER	ABS	2A0189-01	1	1					
7	POWER SUPPLY CORD	AEC-30	440894-01	1	1					
8	BUSHING	SR-7K-2	420472-02	1	1					
9	DRAIN GRILL	STEEL	2A0187G01	1	1					
10	STRIKE	263-000006-00	4A0515-01	2	2					
11	COVER (A)	SS	2A0286-01	1	1					
12	INLET TUBE COVER	GS	3A0485-01		1					



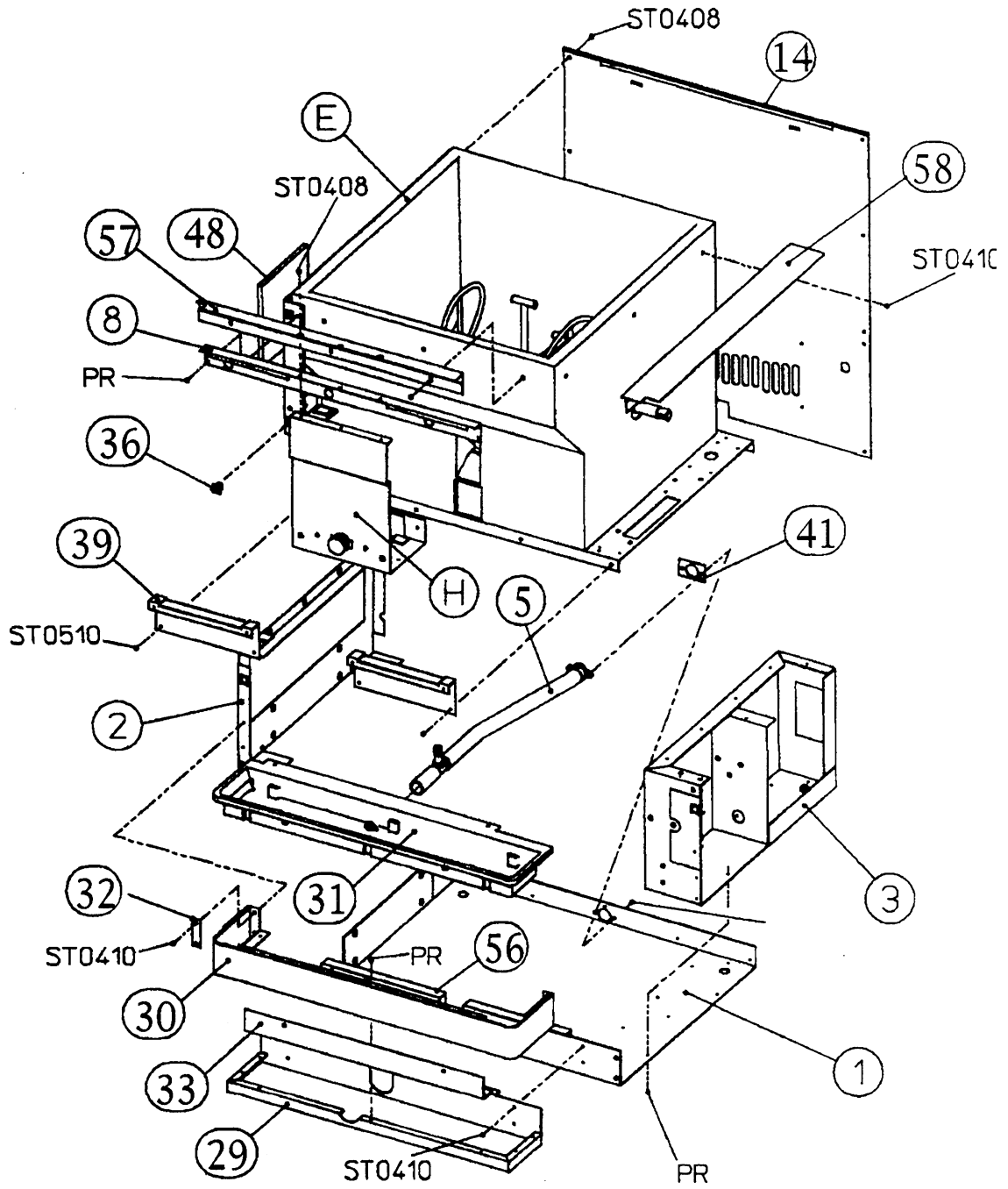
MODEL: DM-180A8 TITLE: A. DISPENSER ASSEMBLY									
INDEX NO.	DESCRIPTION	MATERIAL OR MODEL NUMBER	PART NUMBER	REQUIRED NUMBER					
				D-1 E-0	E-1				
B	MECHANISM ASSEMBLY	-	1A0091A01	1	-				
		-	1A0126A01		1				
C	BEVERAGE HEAD ASSEMBLY	-	2A0295A01	1	-				
		-	2A0558A01		1				
D	LABEL LOCATION	-	3A0315A01	1	1				
1	BEVERAGE TUBING CLAMP	12.0	4A0533-02	16	16				
2	SIDE PANEL (L)	SS	2A0283G01	1	-				
		SS	2A0550G01		1				
3	SIDE PANEL (R)	SS	2A0284G01	1	-				
		SS	2A0549G01		1				
4	SPLASH PANEL ASSEMBLY	SS	2A0290G01	1	1				
5	FRONT PANEL ASSEMBLY	SS	2A0291G01	1	-				
		SS	2A0559A01		1				
6	MANUAL FILL COVER	ABS	2A0189-01	1	1				
7	POWER SUPPLY CORD	AEC-30	440894-01	1	1				
8	BUSHING	SR-7K-2	420472-02	1	1				
9	DRAIN GRILL	STEEL	2A0187G01	1	1				
10	STRIKE	263-000006-00	4A0515-01	2	2				
11	COVER (A)	SS	2A0286-01	1	1				
12	INLET TUBE COVER	GS	3A0485-01		1				

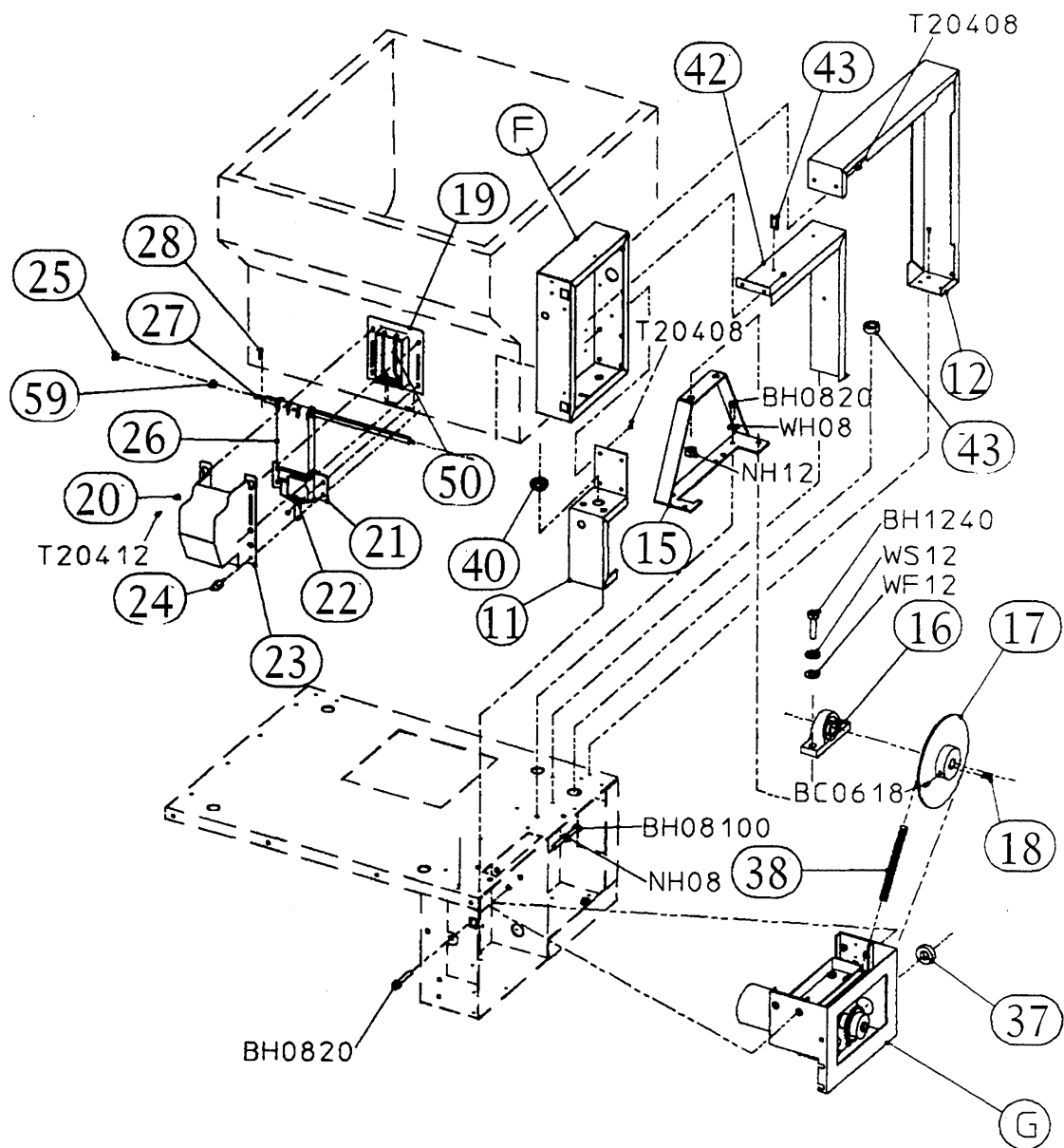


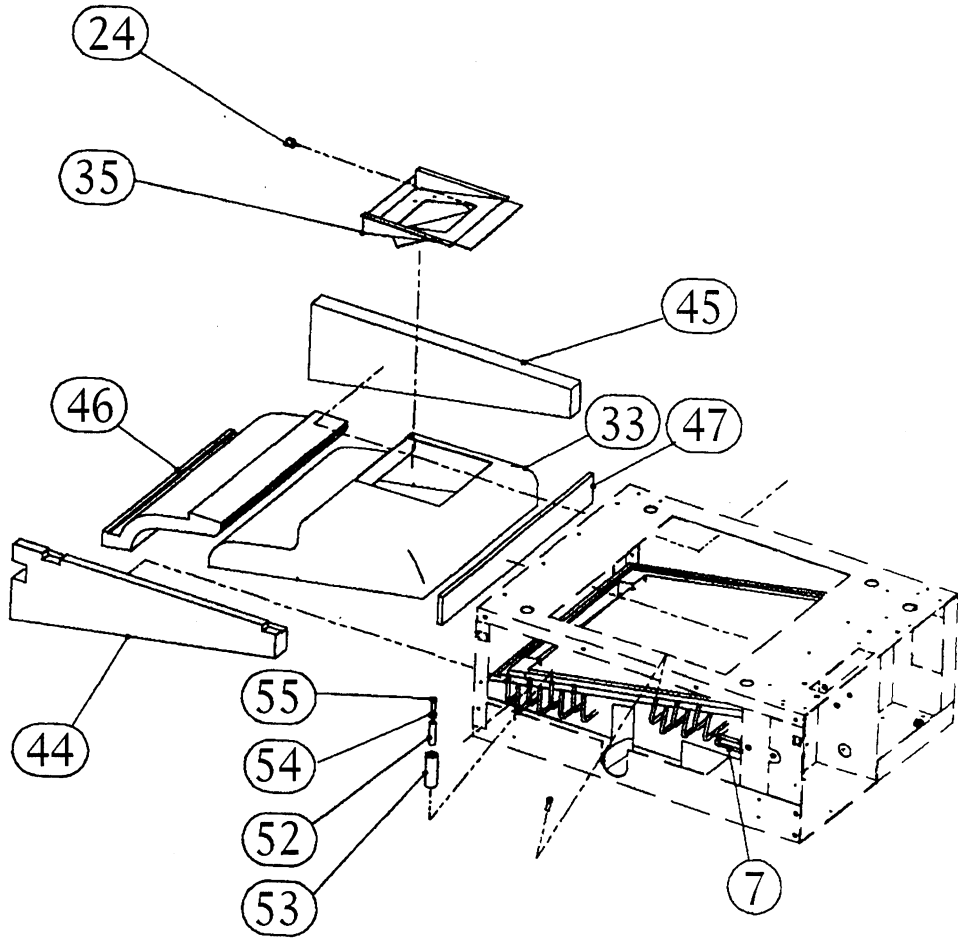










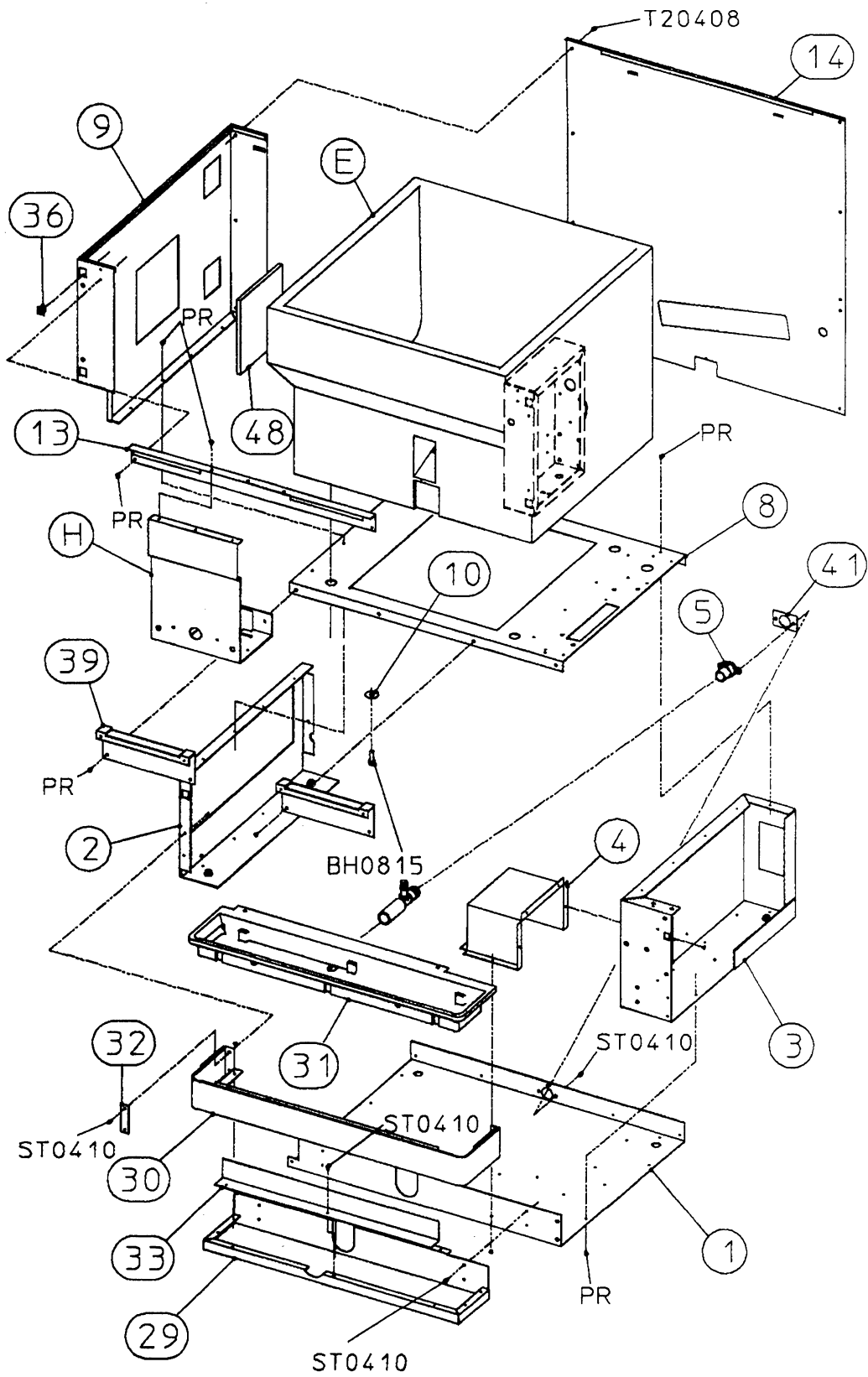


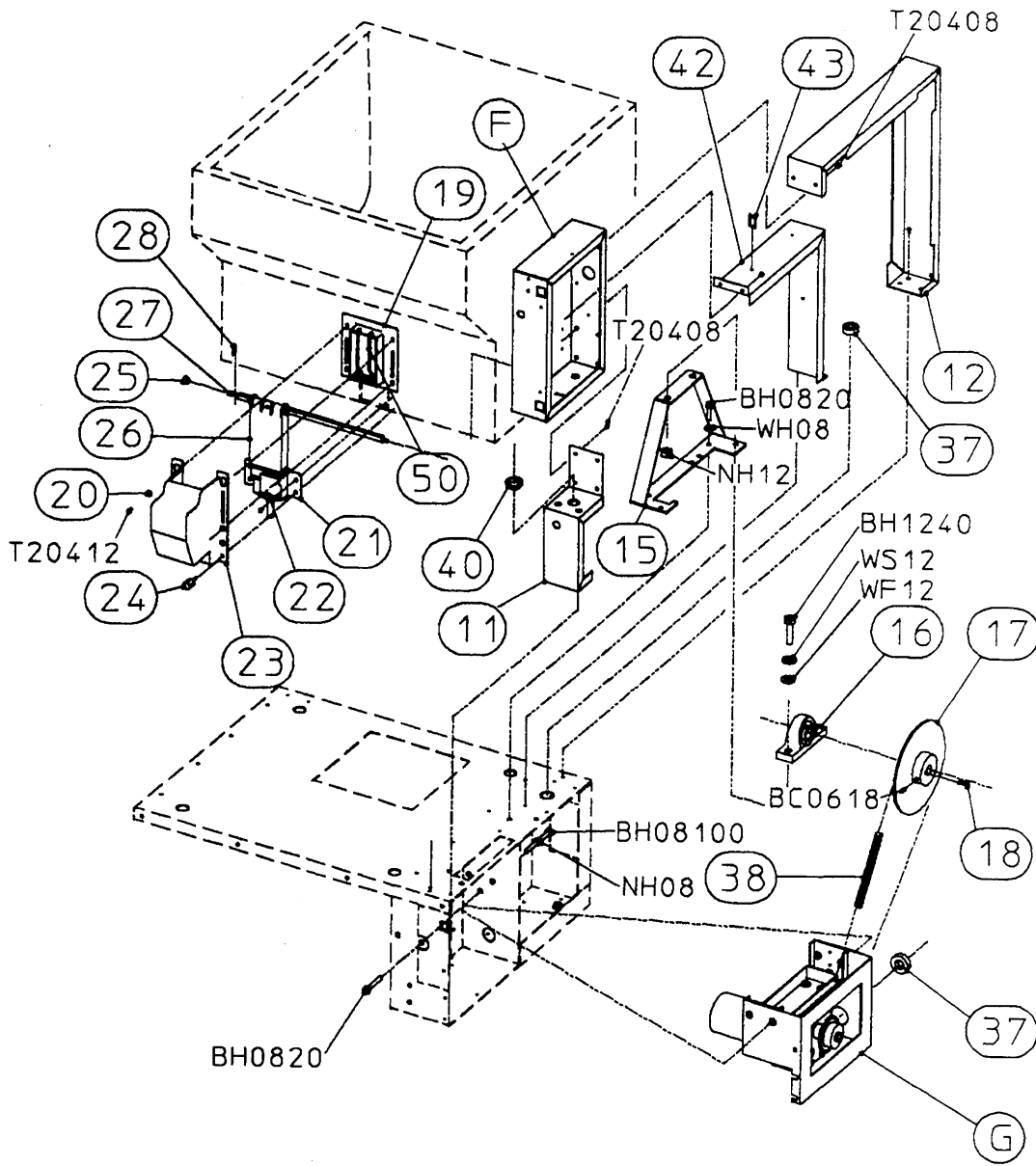
**MODEL: DM-180A6      TITLE: B. MECHANISM ASSEMBLY**

INDEX NO.	DESCRIPTION	MATERIAL OR MODEL NUMBER	PART NUMBER	REQUIRED NUMBER						
				D-1 E-0	E-1					
E	BIN ASSEMBLY	-	1A0093A01	1	-					
		-	1A0125A01		1					
F	CONTROL BOX ASSEMBLY	-	3A0299A01	1	-					
		-	3A0483A01		1					
G	GEAR MOTOR ASSEMBLY	-	2A0289A01	1	1					
H	PUSH SWITCH ASSEMBLY	-	3A0300A01	1	-					
		-	3A0490A01		1					
1	BOTTOM PANEL	GS	1A0082-01	1	-					
		GS	1A0121-01		1					
2	CHASSIS (A)	GS	2A0262G01	1	-					
		GS	2A0530G01		1					
3	CHASSIS (B)	GS	2A0287G01	1	1					
4	BARRIER (A)	GS	3A0272-01	1	-					
5	DRAIN CIRCUIT	PVC	3A0298G01	1	1					
6	INSULATION (A)	PE	4A0513-01	1	-					
7	COLD PLATE ASSEMBLY	AL,PUR	1A0097G01	1	-					
		AL,PUR	2A0537G01		1					
8	CHASSIS (D)	GS	2A0447G01	1	-					
9	INTERIOR PANEL	GS	2A0288G01	1	-					
10	WASHER	GS	4A0655-04	4	-					
11	FRAME (A)	GS	3A0284-01	1	1					
12	FRAME (B)	GS	3A0297G01	1	-					
		GS	3A0491G01		1					
13	FRONT FRAME	GS	3A0287-01	1	-					
		GS	3A0484-01		1					
14	REAR PANEL (A)	GS	2A0294-01	1	-					
		GS	2A0546-01		1					
15	PILLOW BRACKET	GS	3A0283-01	1	1					
16	PILLOW	ZUCP205	435553-02	1	1					

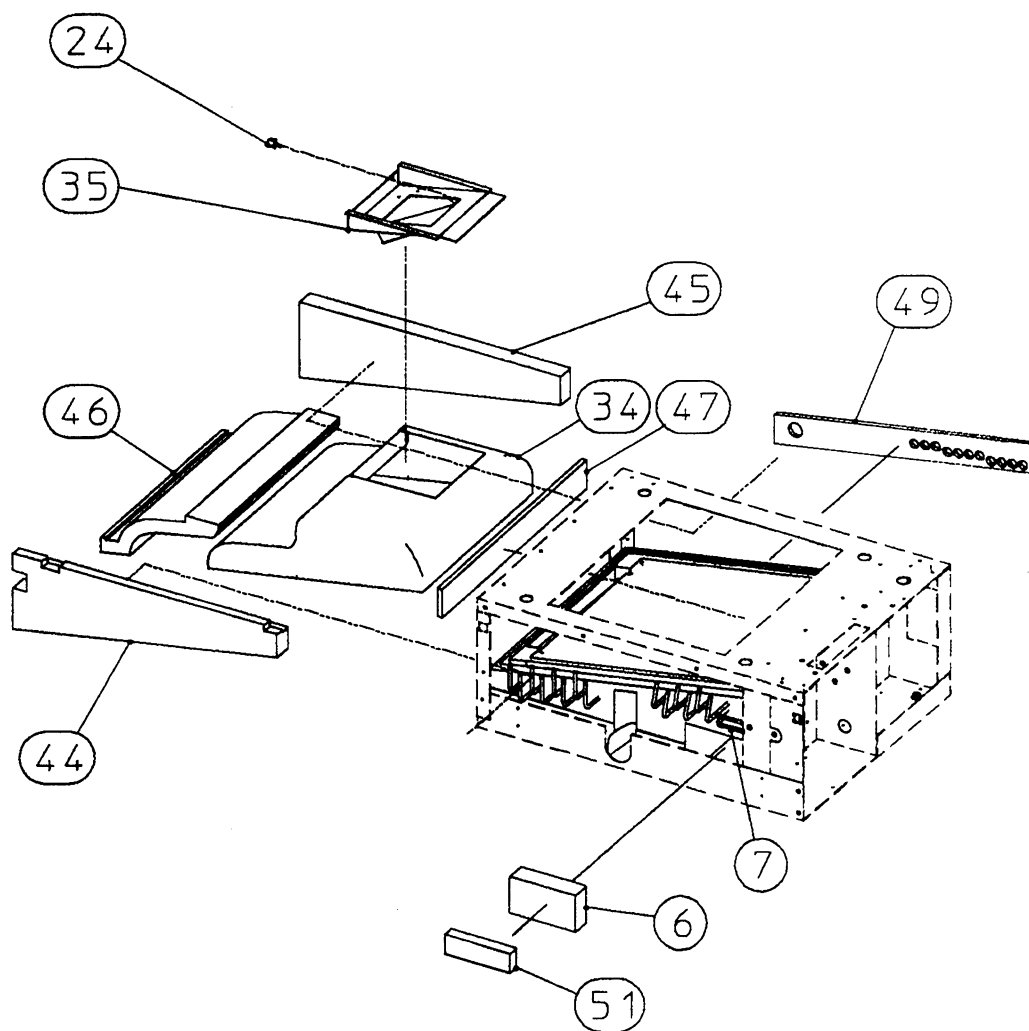
MODEL: <b>DM-180A6</b> TITLE: <b>B. MECHANISM ASSEMBLY</b>									
INDEX NO.	DESCRIPTION	MATERIAL OR MODEL NUMBER	PART NUMBER	REQUIRED NUMBER					
				D-1 E-0	E-1				
17	SPROCKET (B)	35 x 65T	435554-01	1	1				
18	KEY	6 x 22	437265-01	1	1				
19	SPOUT (B)	ABS	2A0177-01	1	1				
20	TAPER COLLAR	SS	4H0171-01	2	2				
21	DRIP CUP	ABS	2A0188-01	1	1				
22	INSULATION B	PE	4A0514-01	2	2				
23	SPOUT (A)	ABS	2A0176-01	1	1				
24	THUMBSCREW	ABS	415949G01	4	4				
25	COLLAR-SHUTTER	POM	435533-01	1	1				
26	SHUTTER (A)	AC	2A0178-01	1	1				
27	SHAFT-SHUTTER	SS	328648-02	1	1				
28	SNAP PIN	SSP-6	715S-0006	1	1				
29	DRAIN PANEL MOUNT	GS	2A0273-01	1	1				
30	DRAIN PANEL	SS	2A0278-01	1	1				
31	DRAIN PAN ASSEMBLY.	ABS	2A0312G01	1	1				
32	BRACE (C)	SS	4A0656-01	2	2				
33	BRACKET (B)	GS	3A0393-01	1	1				
34	CHUTE	ABS	1A0064-01	1	1				
35	GUIDE	SS	3A0302G01	1	1				
36	LATCH	8501-00-59	4A0508-03	4	4				
37	BUSHING	SB-1093-13	420470-12	2	2				
38	CHAIN	35x142	435797-02	1	1				
39	BRACKET (D)	GS	4A0478-01	2	2				
40	BUSHING	SB-625-8	420470-01	1	1				
41	PAD	ABS	436580-01	1	1				
42	BARRIER (B)	GS	2A0420-01	1	1				
43	WIRE SADDLE	VWS4274-C	4A0338-03	3	3				
44	FRONT INSULATION	PS	3A0416-01	1	1				
45	REAR INSULATION	PS	3A0417-01	1	1				

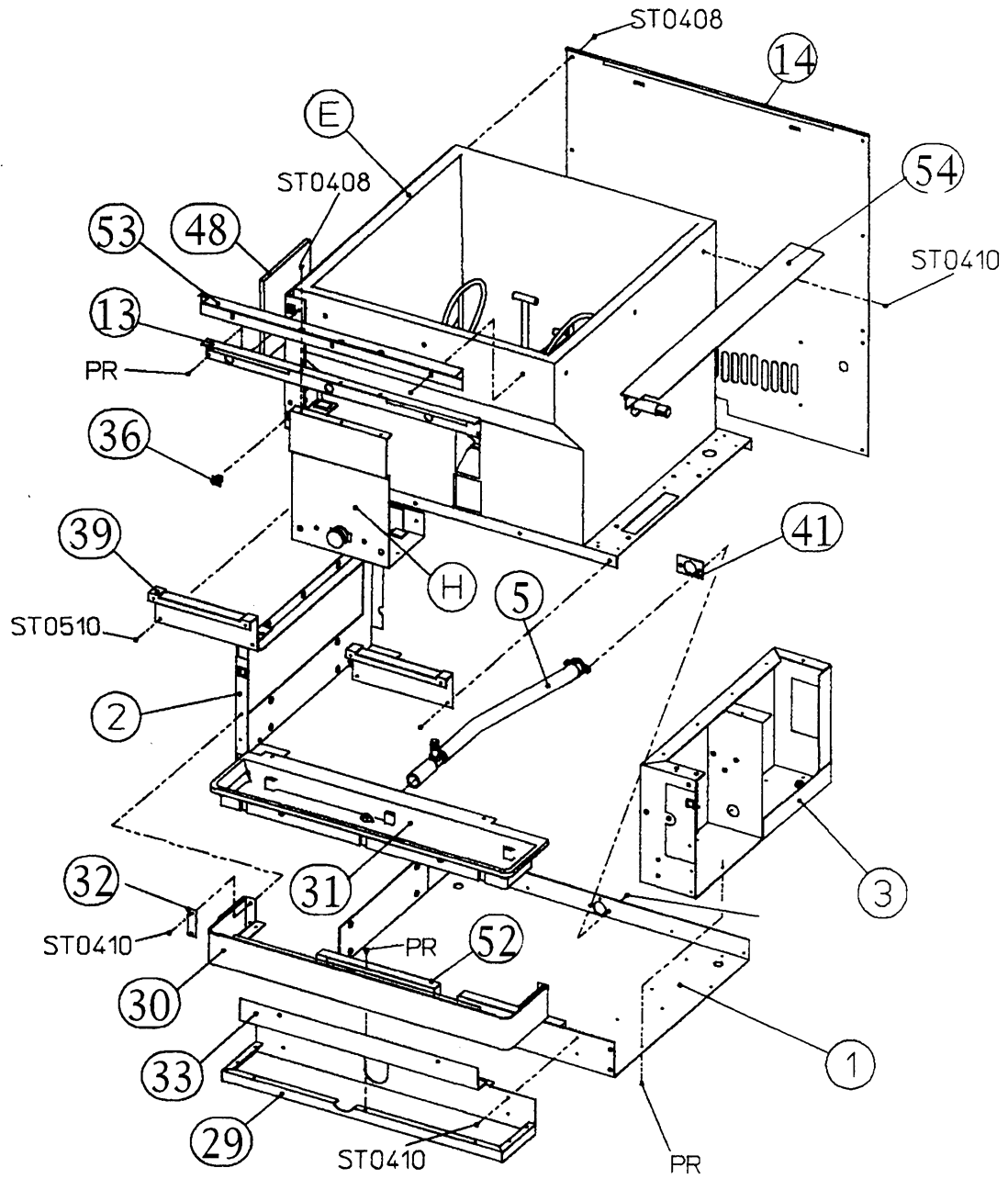
<b>MODEL: DM-180A6 TITLE: B. MECHANISM ASSEMBLY</b>										
INDEX NO.	DESCRIPTION	MATERIAL OR MODEL NUMBER	PART NUMBER	REQUIRED NUMBER						
				D-1 E-0	E-1					
46	CHUTE INSULATION	PS	3A0419-01	1	1					
47	RIGHT INSULATION	PS	3A0418-01	1	1					
48	AGITATOR HOLDER INSULATION	PE	4A0687-01	1	1					
49	COLD PLATE INSULATION (C)	PE	3A0428-01	1	-					
50	SAFETY WIRE	SS	4A0722-01	1	1					
51	INSULATION (F)	PE	4A0723-01	1	-					
52	BEVERAGE TUBING	L=100	4A0512-01	2	2					
53	INSULATION TUBE	L=150	7762-1323	2	2					
54	BEVERAGE TUBING CLAMP	12.0	4A0533-02	4	4					
55	1/4 BARB PLUG	3027	4A0657-01	2	2					
56	BOTTOM PANEL INSULATION	PE	3A0492-01		1					
57	FRONT TOP SEAL	SS	3A0487-01		1					
58	RIGHT TOP SEAL	SS	3A0486-01		1					
59	SPACER	ABS	4A0822-01		1					

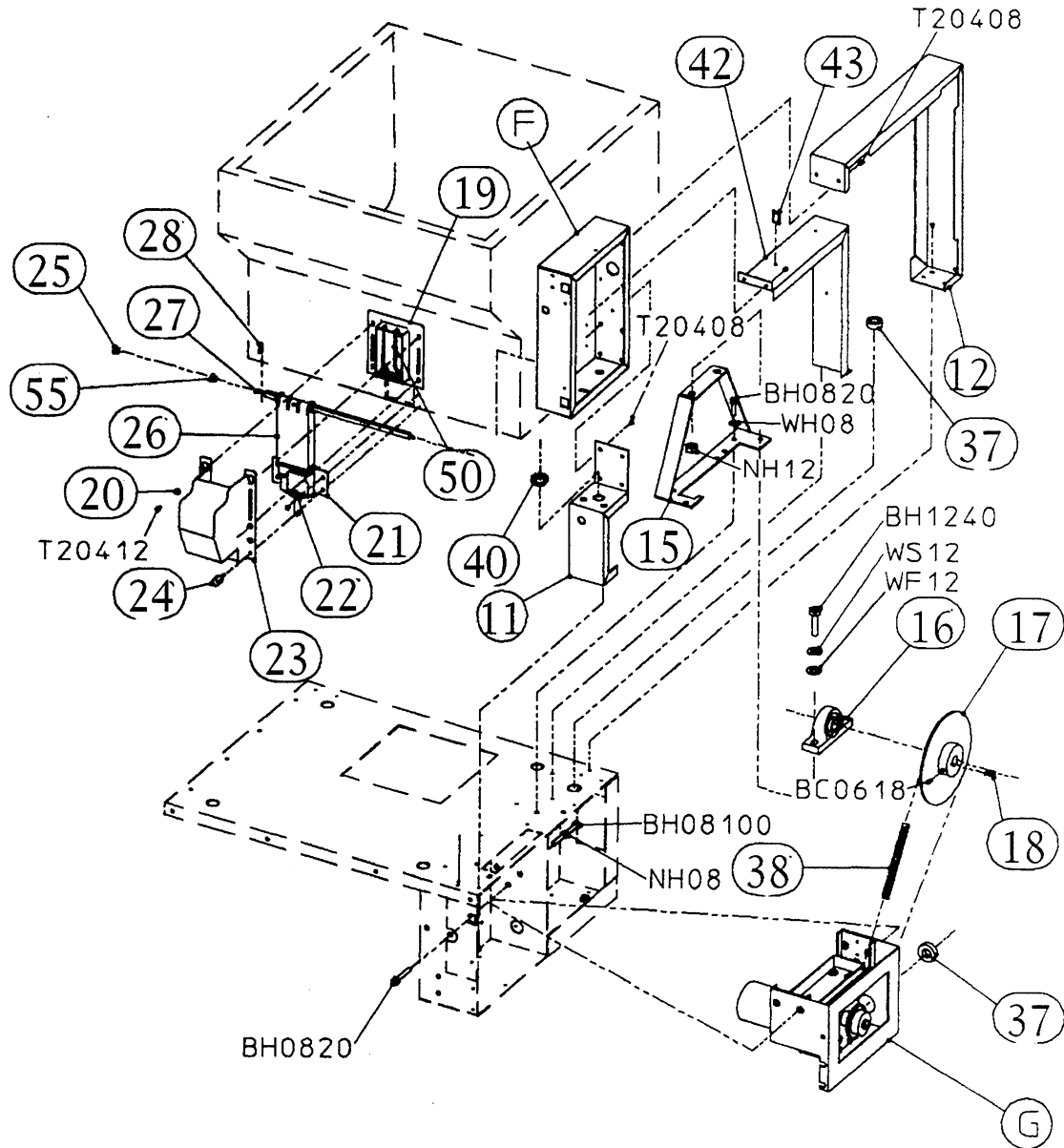


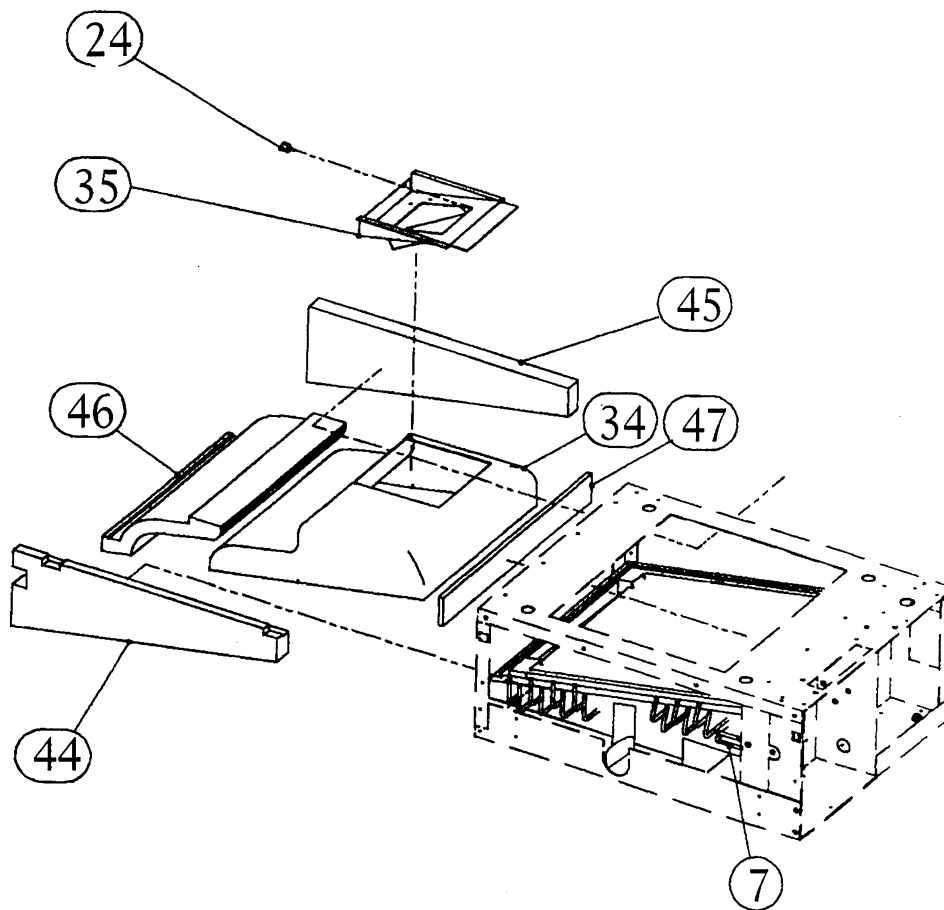










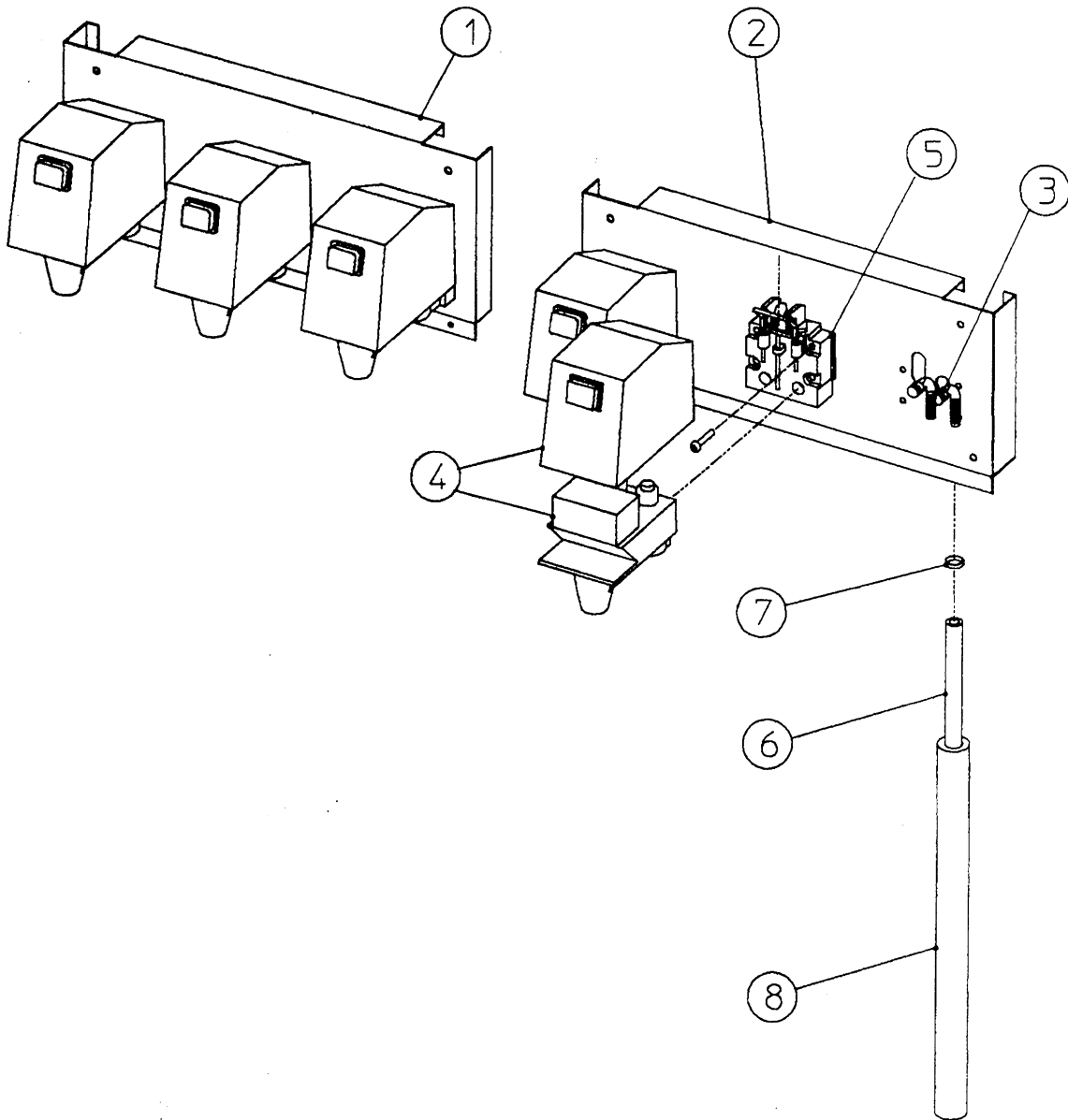


MODEL: DM-180A8 TITLE: B. MECHANISM ASSEMBLY									
INDEX NO.	DESCRIPTION	MATERIAL OR MODEL NUMBER	PART NUMBER	REQUIRED NUMBER					
				D-1 E-0	E-1				
E	BIN ASSEMBLY	-	1A0093A01	1	-				
		-	1A0125A01		1				
F	CONTROL BOX ASSEMBLY	-	3A0299A01	1	-				
		-	3A0483A01		1				
G	GEAR MOTOR ASSEMBLY	-	2A0289A01	1	1				
H	PUSH SWITCH ASSEMBLY	-	3A0300A01	1	-				
		-	3A0490A01		1				
1	BOTTOM PANEL	GS	1A0082-01	1	-				
		GS	1A0121-01		1				
2	CHASSIS (A)	GS	2A0262G01	1	-				
		GS	2A0530G01		1				
3	CHASSIS (B)	GS	2A0287G01	1	1				
4	BARRIER (A)	GS	3A0272-01	1	-				
5	DRAIN CIRCUIT	PVC	3A0298G01	1	1				
6	INSULATION (A)	PE	4A0513-01	1	-				
7	COLD PLATE ASSEMBLY	AL, PUR	1A0097G01	1	-				
		AL, PUR	2A0537G01		1				
8	CHASSIS (D)	GS	2A0447G01	1	-				
9	INTERIOR PANEL	GS	2A0288G01	1	-				
10	WASHER	GS	4A0655-04	4	-				
11	FRAME (A)	GS	3A0284-01	1	1				
12	FRAME (B)	GS	3A0297G01	1	-				
		GS	3A0491G01		1				
13	FRONT FRAME	GS	3A0287-01	1	-				
		GS	3A0484-01		1				
14	REAR PANEL (A)	GS	2A0294-01	1	-				
		GS	2A0546-01		1				
15	PILLOW BRACKET	GS	3A0283-01	1	1				
16	PILLOW	ZUCP205	435553-02	1	1				

MODEL: DM-180A8 TITLE: B. MECHANISM ASSEMBLY									
INDEX NO.	DESCRIPTION	MATERIAL OR MODEL NUMBER	PART NUMBER	REQUIRED NUMBER					
				D-1 E-0	E-1				
17	SPROCKET (B)	35 x 65T	435554-01	1	1				
18	KEY	6 x 22	437265-01	1	1				
19	SPOUT (B)	ABS	2A0177-01	1	1				
20	TAPER COLLAR	SS	4H0171-01	2	2				
21	DRIP CUP	ABS	2A0188-01	1	1				
22	INSULATION B	PE	4A0514-01	2	2				
23	SPOUT (A)	ABS	2A0176-01	1	1				
24	THUMBSCREW	ABS	415949G01	4	4				
25	COLLAR-SHUTTER	POM	435533-01	1	1				
26	SHUTTER (A)	AC	2A0178-01	1	1				
27	SHAFT-SHUTTER	SS	328648-02	1	1				
28	SNAP PIN	SSP-6	715S-0006	1	1				
29	DRAIN PANEL MOUNT	GS	2A0273-01	1	1				
30	DRAIN PANEL	SS	2A0278-01	1	1				
31	DRAIN PAN ASSEMBLY.	ABS	2A0312G01	1	1				
32	BRACE (C)	SS	4A0656-01	2	2				
33	BRACKET (B)	GS	3A0393-01	1	1				
34	CHUTE	ABS	1A0064-01	1	1				
35	GUIDE	SS	3A0302G01	1	1				
36	LATCH	8501-00-59	4A0508-03	4	4				
37	BUSHING	SB-1093-13	420470-12	2	2				
38	CHAIN	35 x 142	435797-02	1	1				
39	BRACKET (D)	GS	4A0478-01	2	2				
40	BUSHING	SB-625-8	420470-01	1	1				
41	PAD	ABS	436580-01	1	1				
42	BARRIER (B)	GS	2A0420-01	1	1				
43	WIRE SADDLE	VWS4274-C	4A0338-03	3	3				
44	FRONT INSULATION	PS	3A0416-01	1	1				
45	REAR INSULATION	PS	3A0417-01	1	1				

MODEL: **DM-180A8** TITLE: **B. MECHANISM ASSEMBLY**

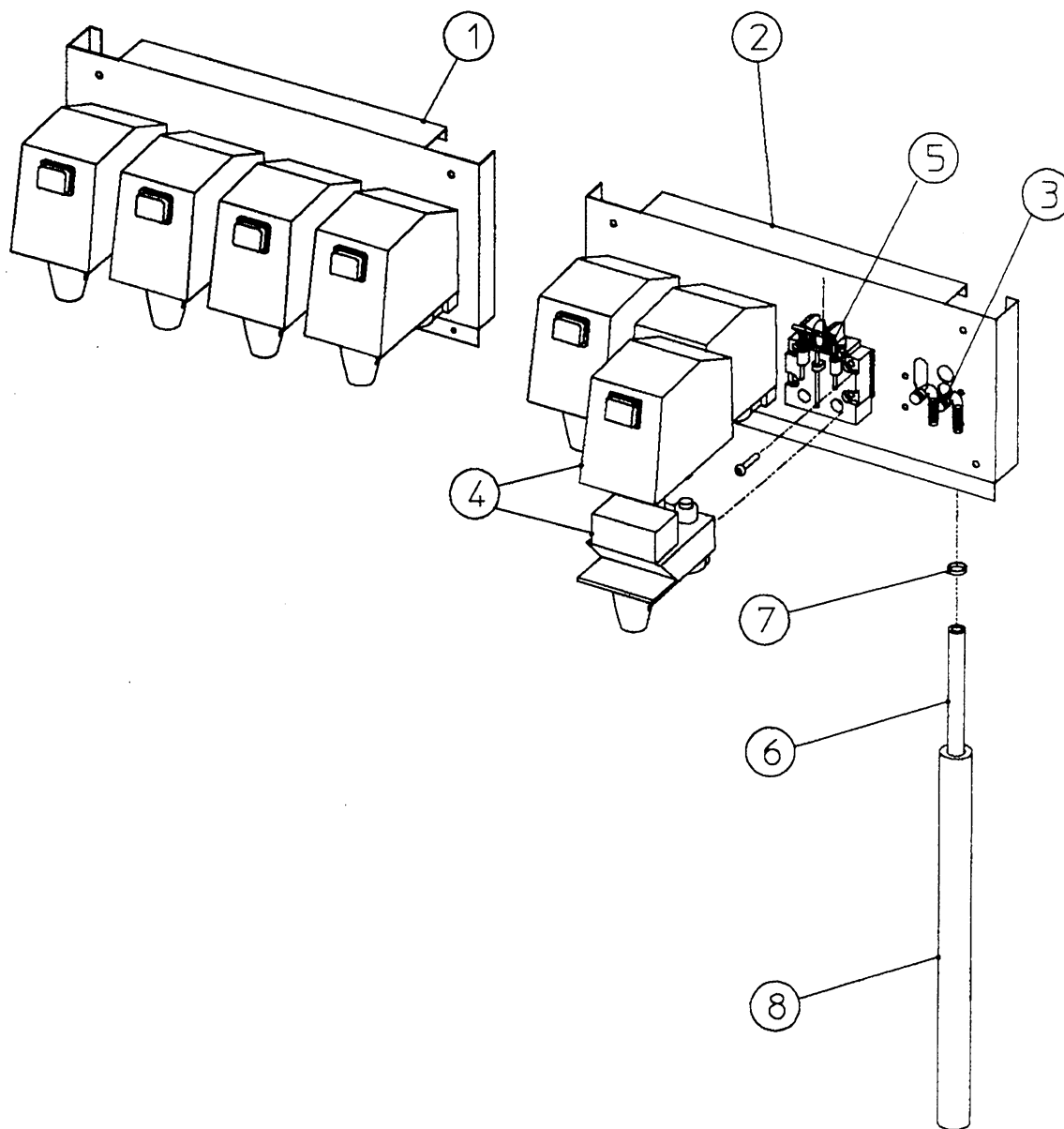
INDEX NO.	DESCRIPTION	MATERIAL OR MODEL NUMBER	PART NUMBER	REQUIRED NUMBER							
				D-1	E-1						
46	CHUTE INSULATION	PS	3A0419-01	1	1						
47	RIGHT INSULATION	PS	3A0418-01	1	1						
48	AGITATOR HOLDER INSULATION	PE	4A0687-01	1	1						
49	COLD PLATE INSULATION (C)	PE	3A0428-01	1	-						
50	SAFETY WIRE	SS	4A0722-01	1	1						
51	INSULATION (F)	PE	4A0723-01	1	-						
52	BOTTOM PANEL INSULATION	PE	3A0492-01		1						
53	FRONT TOP SEAL	SS	3A0487-01		1						
54	RIGHT TOP SEAL	SS	3A0486-01		1						
55	SPACER	ABS	4A0822-01		1						





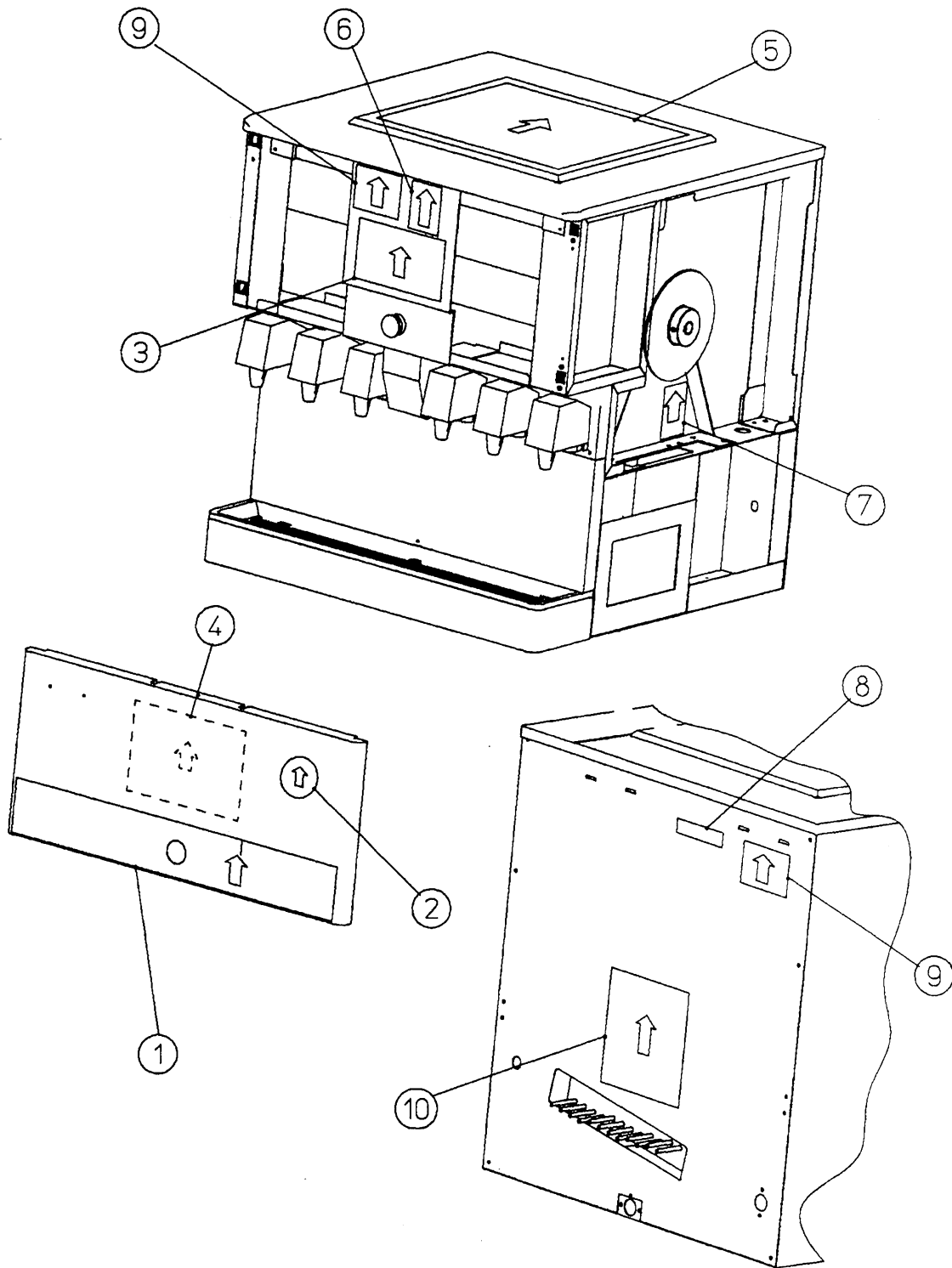
**MODEL: DM-180A6      TITLE: C. BEVERAGE HEAD ASSEMBLY**

INDEX NO.	DESCRIPTION	MATERIAL OR MODEL NUMBER	PART NUMBER	REQUIRED NUMBER						
				D-1 E-0	E-1					
1	MOUNTING PLATE (A)	SS	2A0297-01	1	-					
		SS	2A0554-01		1					
2	MOUNTING PLATE (B)	SS	2A0298-01	1	-					
		SS	2A0555-01		1					
3	90° INLET ELBOW	SS	4A0510-01	12	-					
		SS	4A0823-01		12					
4	FAUCET (FLOMATIC)	424-CF-S10-1524	4A0677-01	6	6					
5	VALVE MOUNTING BLOCK	380Q	4A0678-02	6	6					
6	BEVERAGE TUBING	L=275	4A0512L01	12	12					
7	BEVERAGE TUBING CLAMP	12.0	4A0533-02	12	12					
8	INSULATION TUBING	L=351	7762-1323	12	12					



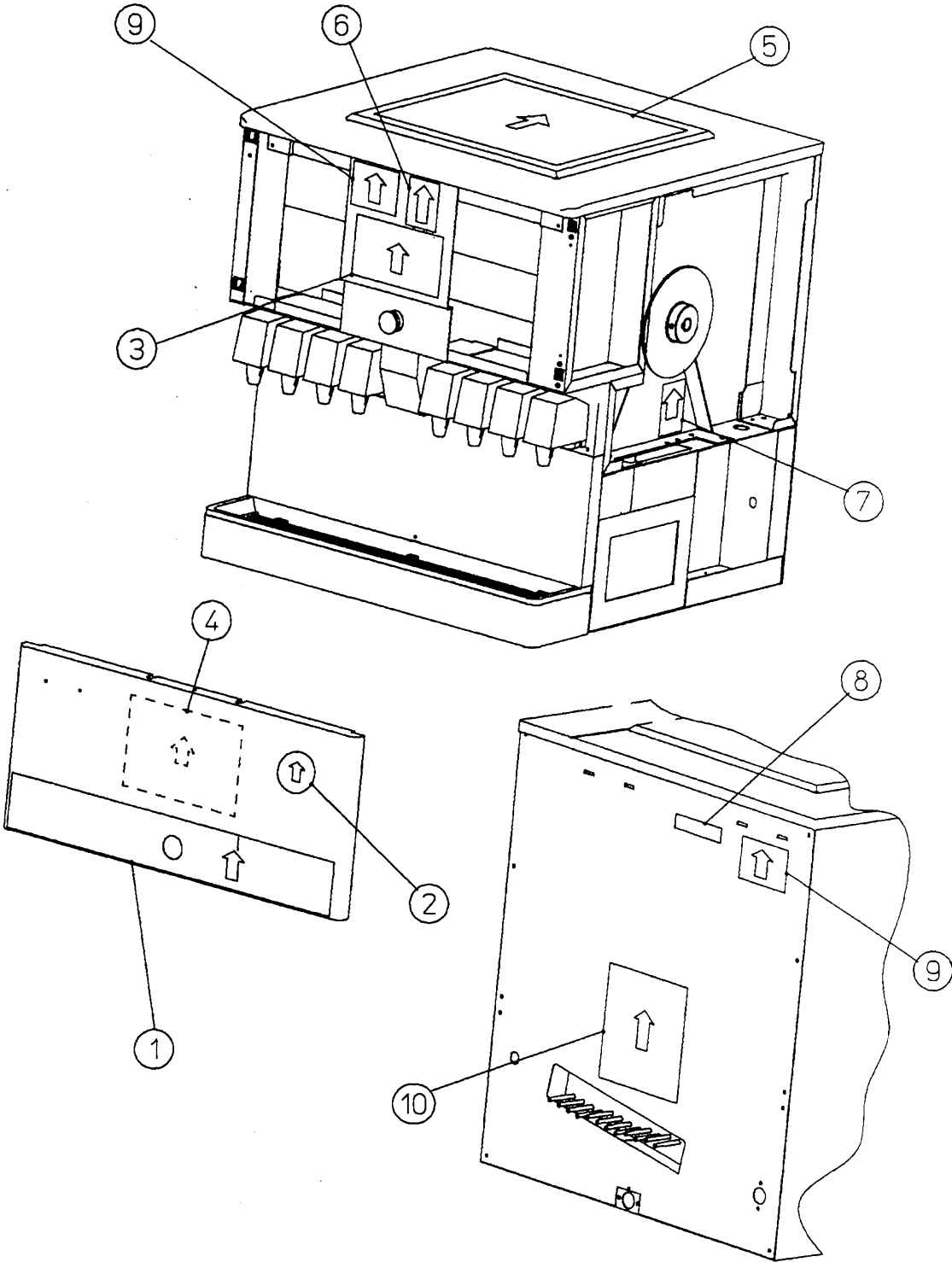
**MODEL: DM-180A8 TITLE: C. BEVERAGE HEAD ASSEMBLY**

INDEX NO.	DESCRIPTION	MATERIAL OR MODEL NUMBER	PART NUMBER	REQUIRED NUMBER								
				D-1 E-0	E-1							
1	MOUNTING PLATE (A)	SS	2A0281-01	1	-							
		SS	2A0552-01		1							
2	MOUNTING PLATE (B)	SS	2A0282-01	1	-							
		SS	2A0553-01		1							
3	90° INLET ELBOW	SS	4A0510-01	16	-							
		SS	4A0823-01		16							
4	FAUCET (FLOMATIC)	424-CF-S10-1524	4A0677-01	8	8							
5	VALVE MOUNTING BLOCK	380Q	4A0678-02	8	8							
6	BEVERAGE TUBING	L=275	4A0512L01	16	16							
7	BEVERAGE TUBING CLAMP	12.0	4A0533-02	16	16							
8	INSULATION TUBING	L=351	7762-1323	16	16							



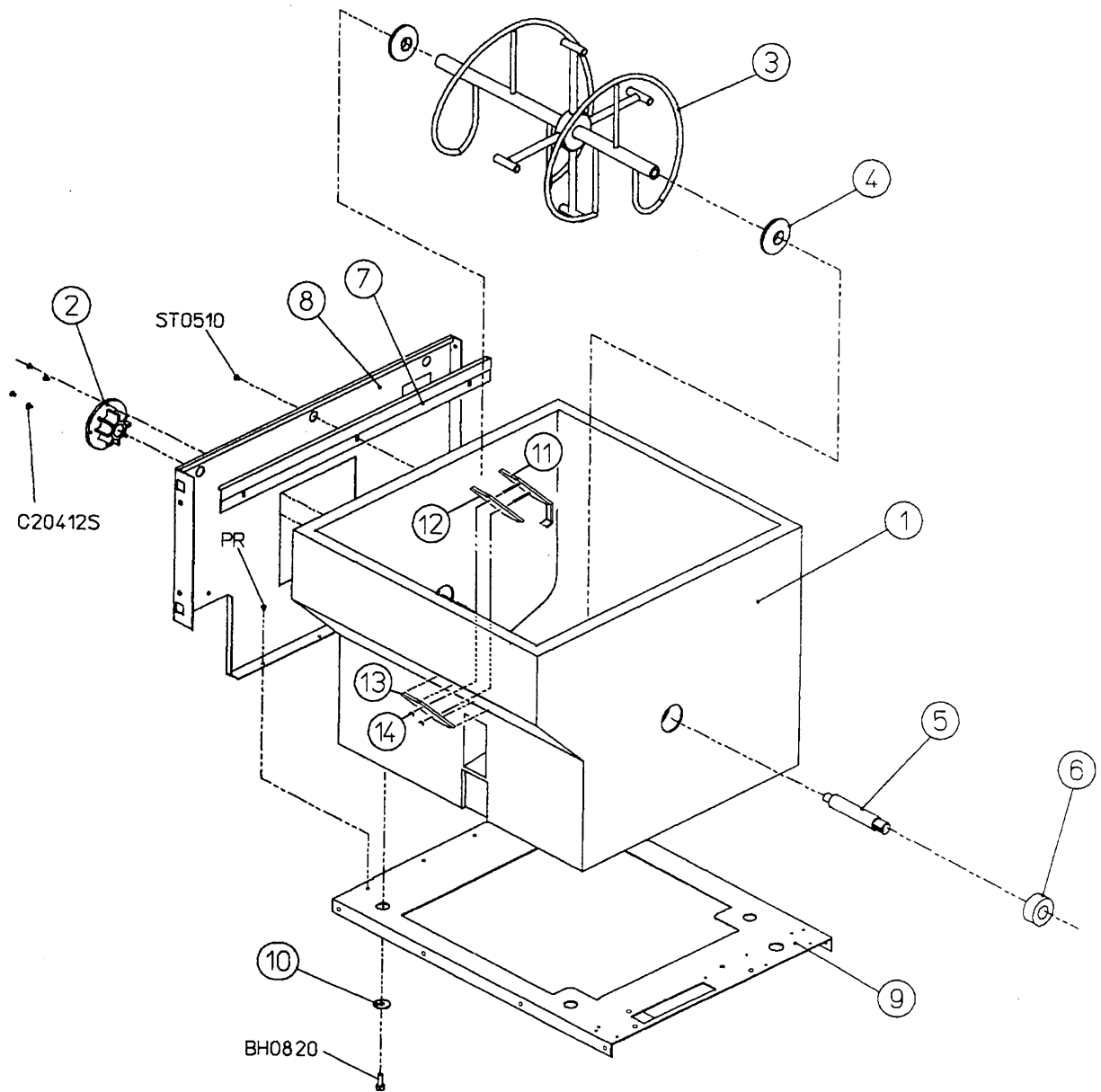
**MODEL: DM-180A6 TITLE: D. LABEL LOCATION**

INDEX NO.	DESCRIPTION	MATERIAL OR MODEL NUMBER	PART NUMBER	REQUIRED NUMBER								
				D-1 E-0	E-1							
1	FRONT PANEL DECAL	PES FILM	3A0316-01	1	1							
2	LABEL-PENGUIN HA (L)	PES FILM	4A0526-02	1	1							
3	WIRING LABEL	PVC FILM	3A0409-01	1	1							
4	MAINTENANCE LABEL	PAPER	2A0313-01	1	1							
5	INSTRUCTION SHEET	PAPER	2A0314-01	1	1							
6	CAUTION LABEL (G)	PVC FILM	439147-01	1	1							
7	CAUTION LABEL (MOVING PARTS)	PVC FILM	3A0318-01	1	1							
8	INSTRUCTION LABEL	PVC FILM	4A0672-01	1	1							
9	NAMEPLATE	PES FILM	4A0748-01	2	2							
10	INSTALLATION LABEL	PVC FILM	2A0461-01	1	1							



**MODEL: DM-180A8 TITLE: D. LABEL LOCATION**

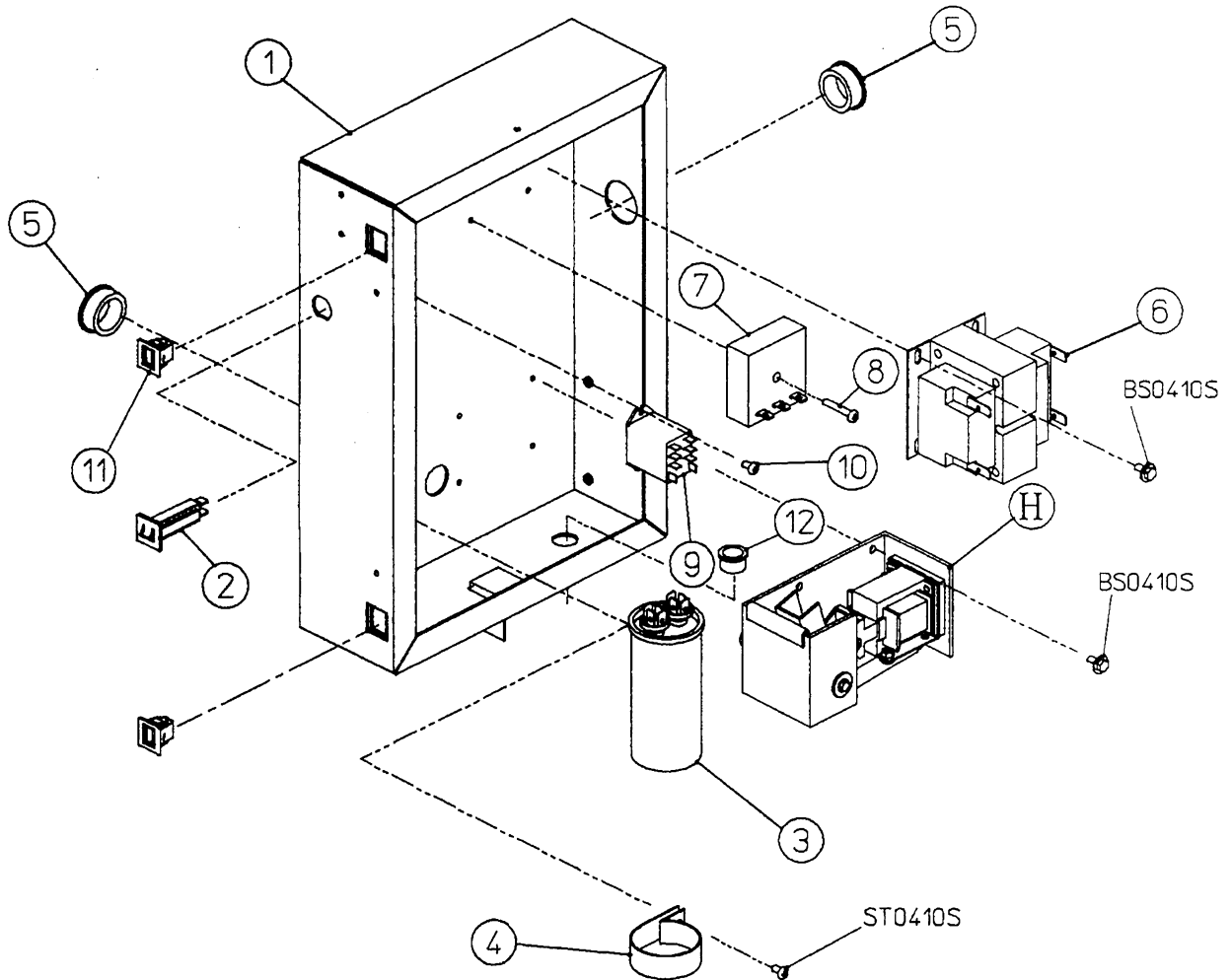
INDEX NO.	DESCRIPTION	MATERIAL OR MODEL NUMBER	PART NUMBER	REQUIRED NUMBER											
				D-1	E-1										
1	FRONT PANEL DECAL	PES FILM	3A0316-01	1	1										
2	LABEL-PENGUIN HA (L)	PES FILM	4A0526-02	1	1										
3	WIRING LABEL	PVC FILM	3A0409-01	1	1										
4	MAINTENANCE LABEL	PAPER	2A0313-01	1	1										
5	INSTRUCTION SHEET	PAPER	2A0314-01	1	1										
6	CAUTION LABEL (G)	PVC FILM	439147-01	1	1										
7	CAUTION LABEL (MOVING PARTS)	PVC FILM	3A0318-01	1	1										
8	INSTRUCTION LABEL	PVC FILM	4A0672-01	1	1										
9	NAMEPLATE	PES FILM	4A0749-01	2	2										
10	INSTALLATION LABEL	PVC FILM	2A0462-01	1	1										





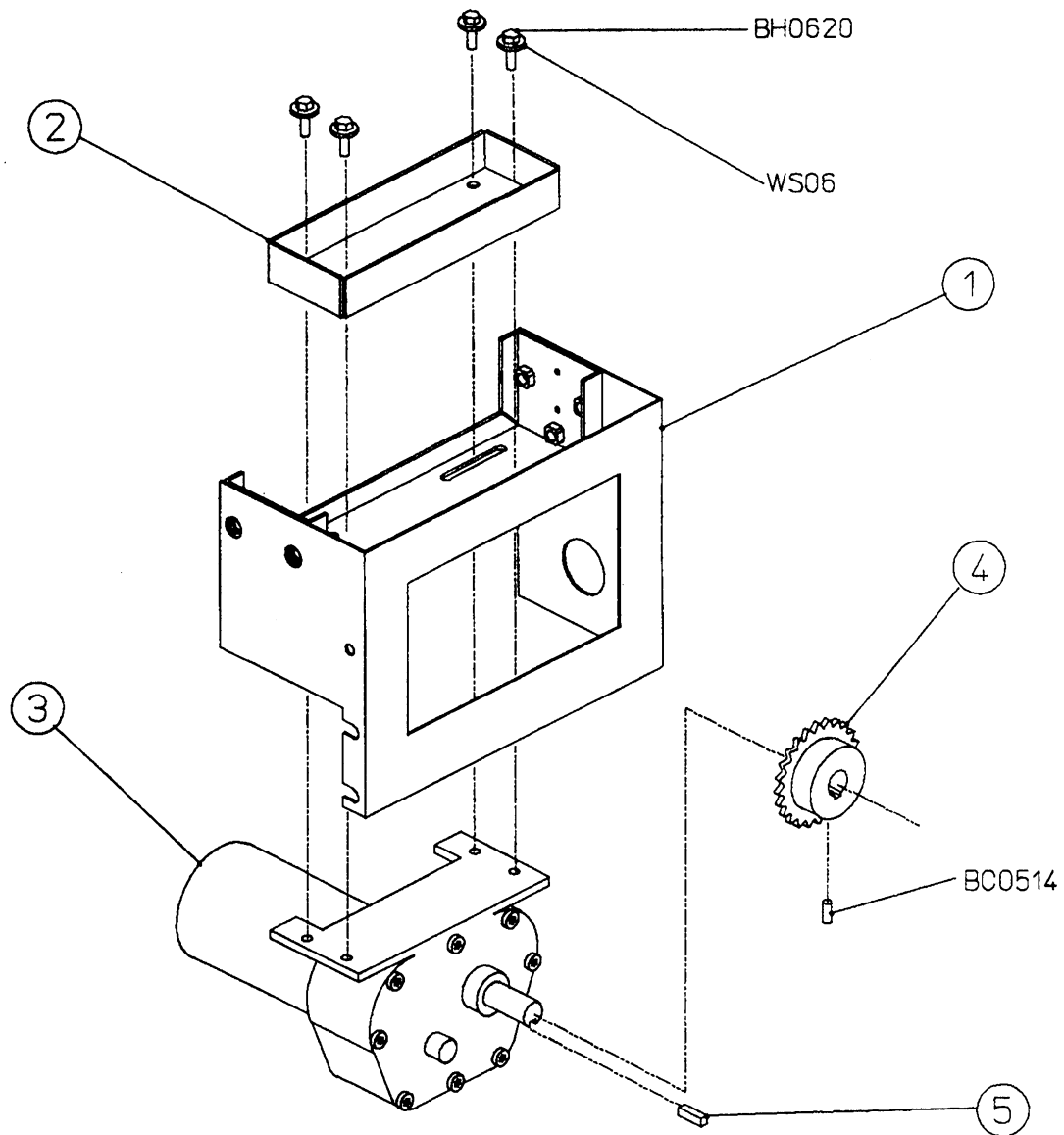
MODEL: DM-180A6, DM-180A8 TITLE: E. BIN ASSEMBLY

INDEX NO.	DESCRIPTION	MATERIAL OR MODEL NUMBER	PART NUMBER	REQUIRED NUMBER						
				D-1 E-0	E-1					
1	BIN	PE, PUR	1A0099G01	1	-					
		PE, PUR	1A0124G01		1					
2	HOLDER AGITATOR	POM	326441-01	1	1					
3	AGITATOR	SS	2A0168G01	1	1					
4	SEAL (B)	EPDM	435558-01	2	2					
5	DRIVE SHAFT	SS	435551-01	1	1					
6	SHAFT INSULATION	PE	4A0686-01	1	1					
7	LEFT TOP SEAL	SS	3A0477-01		1					
8	INTERIOR PANEL	GS	2A0543G01		1					
9	CHASSIS (D)	GS	2A0540G01		1					
10	WASHER	PS	4A0655-01		4					
11	FLOW RATE BRACKET	SS	4A0871G01		1					
12	SEAL	SANTOPRENE	4A0873-01		1					
13	RESTRICTOR PLATE	SS	4A0874-01		1					
14	WING NUT	SS	7E12-0600		2					



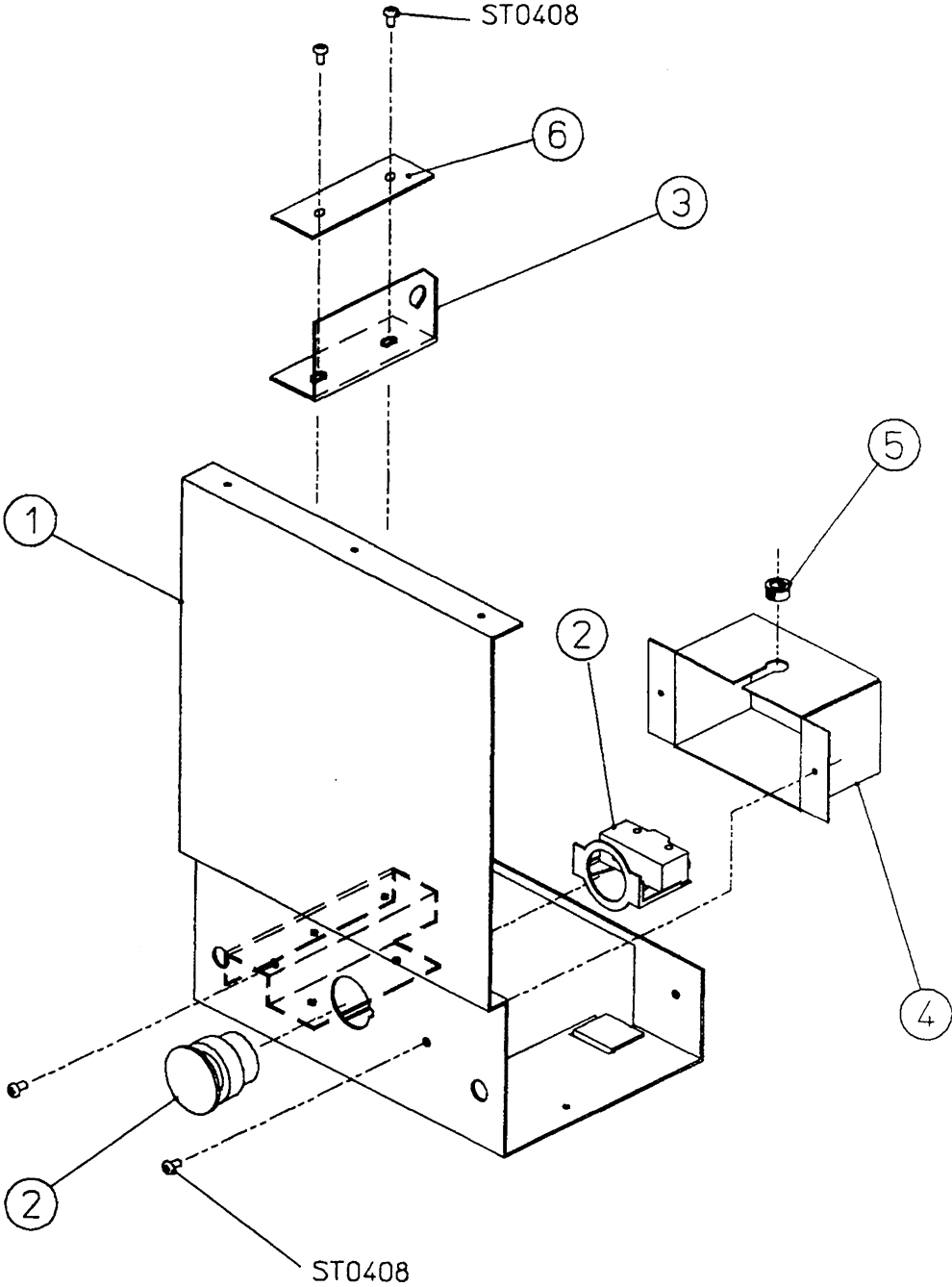
**MODEL: DM-180A6, DM-180A8 TITLE: F. CONTROL BOX ASSEMBLY**

INDEX NO.	DESCRIPTION	MATERIAL OR MODEL NUMBER	PART NUMBER	REQUIRED NUMBER						
				D-1 E-0	E-1					
J	SOLENOID ASSEMBLY	-	212961A02	1	1					
1	CONTROL BOX	GS	2A0270G01	1	-					
		GS	2A0545G01		1					
2	CIRCUIT PROTECTOR	W28-XQ1A-3	4A0505-01	1	-					
	PROTECTOR	W28-XQ1A-3	440972-02		1					
3	CAPACITOR	25µf, 370V	439943-02	1	1					
4	STRAP	GS	4A0506-01	1	1					
5	BUSHING	SB-1093-13	420470-12	2	2					
6	TRANSFORMER	24V,75VA	4A0507-01	1	1					
7	TIMER	TSX2413	4A0671-01	1	1					
8	CHEESEHEAD SCREW	SS 5x25	7C12-0525	1	1					
9	RELAY	LY2F,AC120V	406132-07	1	1					
10	TAPPING SCREW	3x8	431415-01	2	2					
11	LATCH	8501-00-57	4A0508-01	2	2					
12	BUSHING	SB-625-8	420470-03	1	1					



**MODEL: DM-180A6, DM-180A8 TITLE: G. GEAR MOTOR ASSEMBLY**

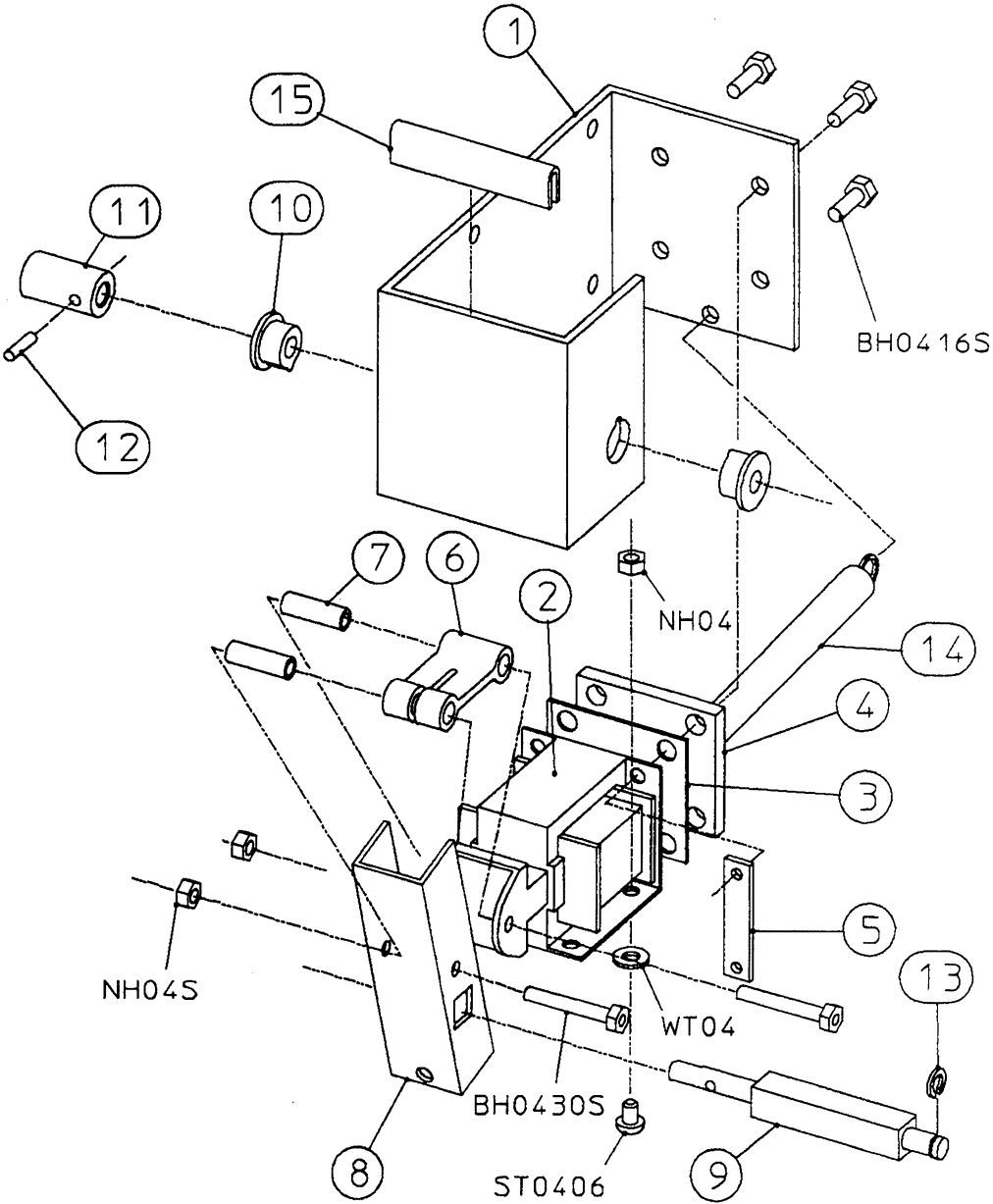
INDEX NO.	DESCRIPTION	MATERIAL OR MODEL NUMBER	PART NUMBER	REQUIRED NUMBER							
				D-1 E-0	E-1						
1	GEAR MOTOR BRACKET ASSEMBLY	GS	3A0294G01	1	1						
2	GEAR MOTOR BRACKET (B)	GS	4A0464-01	1	1						
3	GEAR MOTOR	V06695AB84	4A0183-01	1	1						
4	SPROCKET (A)	35-24T	435557-01	1	1						
5	KEY	ACCESSORY OF GEAR MOTOR	437265-01	1	1						



MODEL: **DM-180A6, DM-180A8**

TITLE: **H. PUSH SWITCH ASSEMBLY**

INDEX NO.	DESCRIPTION	MATERIAL OR MODEL NUMBER	PART NUMBER	REQUIRED NUMBER						
				D-1 E-0	E-1					
1	SWITCH BRACKET	GS	3A0295G01	1	-					
		GS	3A0489G01		1					
2	PUSH SWITCH	ZAP-2B	435745-01	1	1					
3	SHUTTER BRACKET	GS	4A0473-01	1	1					
4	SWITCH COVER	GS	4A0475-01	1	1					
5	BUSHING	OCB-500	428394-02	1	1					
6	PLATE	GS	4A0785-01		1					

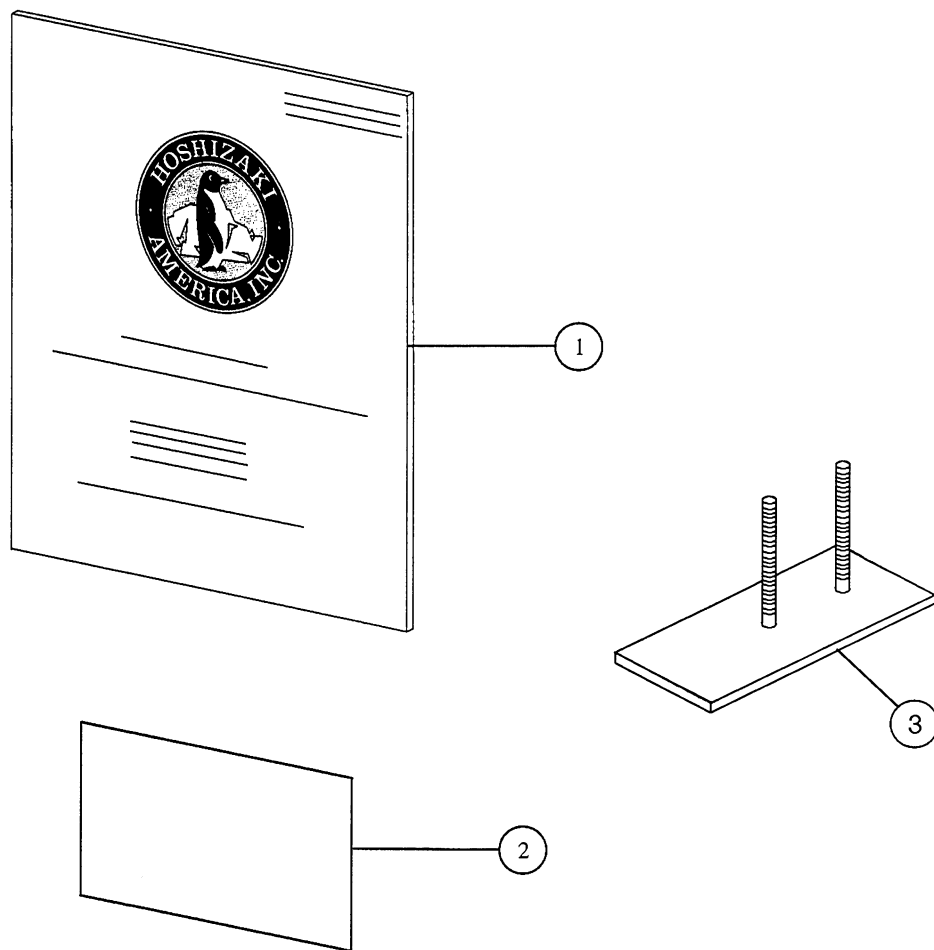




MODEL: **DM-180A6, DM-180A8**

TITLE: **J. SOLENOID ASSEMBLY**

INDEX NO.	DESCRIPTION	MATERIAL OR MODEL NUMBER	PART NUMBER	REQUIRED NUMBER							
				D-1 E-0	E-1						
1	SOLENOID BRACKET	GS	328649-01	1	1						
2	SOLENOID	AS-04-A117	3U0095-01	1	1						
3	SOLENOID PACKING	CR	430380-01	1	1						
4	PACKING COVER	SS	431623-02	1	1						
5	SOLENOID NUT	SS	429723-02	2	2						
6	LINK	AC	432232-01	1	1						
7	COLLAR (D)	SS	432471-01	2	2						
8	LINK SOLENOID	SS	439397-01	1	1						
9	SHAFT	SS	435532-01	1	1						
10	COLLAR-SHUTTER	POM	435533-01	2	2						
11	CONNECTOR	SS	435534-01	1	1						
12	SPRING PIN	SS 3x12	712S-0312	1	1						
13	"E" RING	SS 5	721S-0005	1	1						
14	SPRING	SS	432878-01	1	1						
15	RUBBER GASKET	CH-35	437682-01	1	1						



**MODEL: DM-180A6, DM-180A8      TITLE: J. ACCESSORIES**

INDEX NO.	DESCRIPTION	MATERIAL OR MODEL NUMBER	PART NUMBER	REQUIRED NUMBER							
				D-1	E-1						
1	INSTRUCTION MANUAL	PAPER	91A5BA10A	1	-						
		PAPER	91A5BA10B		1						
2	CLEANING GUIDE CARD	PAPER	4A0626-01	1	1						
3	FLOW RATE BRACKET REPLACEMENT	SS	4A0877G01		1						

# **ICE/BEVERAGE DISPENSER**

**MODEL**

**DM-180A6**

**DM-180A8**

**PARTS LIST**

ISSUED: FEB. 10, 1995

REVISED: MAY. 25, 1997

PRINTED: AUG. 18, 1997

ITEM NO: 71122